

KOHLER® COMMAND PRO®

19–27 HP Engines



KOHLER®
IN POWER. SINCE 1920.

KOHLER
LIMITED WARRANTY INFORMATION
THIS ENGINE MEETS 12.5 EPA GSA AND IS
STAGE II (FOR ALL ECHO REEFS 100-125)
EPA 1000
PART 1
TYPE 1
MODEL NO. CV1CH742
SERIAL NO. 54133559
MFG. IN U.S.A.

THE COMMERCIAL ENGINES THAT BUILT A REPUTATION ON RELIABILITY.

For 20 years, landscape professionals have counted on KOHLER® Command PRO engines to power their equipment and their paychecks. Now it's your turn. Get to know the kings of commercial power, and discover how to work more and pay less.

COMMAND PRO

ADVANCED PERFORMANCE AND DESIGN

- Starts effortlessly in all weather conditions, from 0 to 110 degrees
- New cylinder bore casting/ring pack technology dramatically improves oil life
- Standard 10% governor delivers power faster. Optional electronic and 5% governors provide precise engine performance for critical operations
- Heavy-duty grass screen chops debris to keep the engine clean

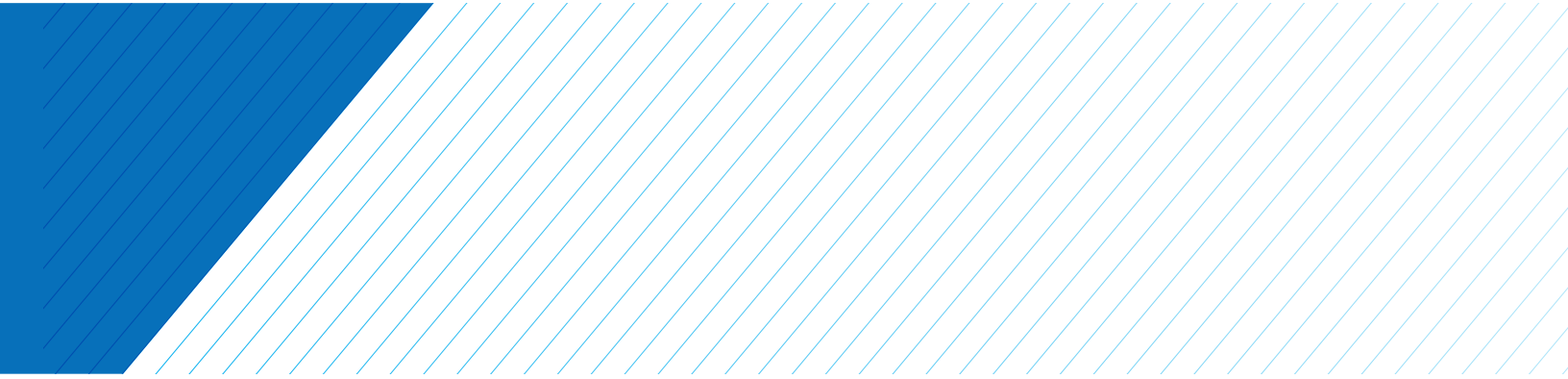
LASTING DURABILITY

- Automotive-grade head gasket improves durability, reliability and cooling
- Hydraulic lifters mean zero maintenance on the valve train

BETTER SERVICE AND SUPPORT

- Kohler's Application Engineering Team specs the right engine for your commercial applications
- Our trusted worldwide network of more than 13,000 dealers stocks parts to minimize downtime

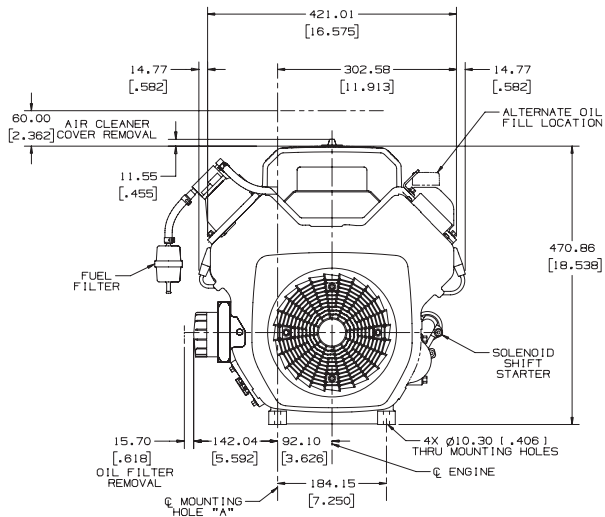




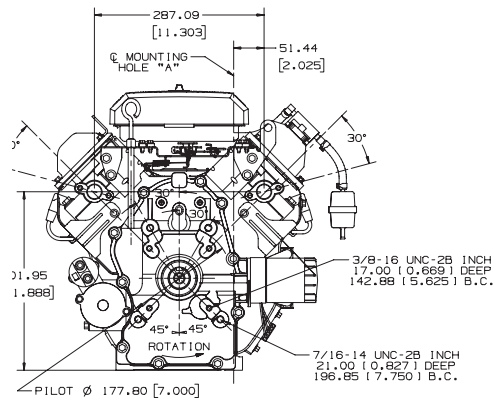
KOHLER® COMMAND PRO®

19–27 HP Horizontal Shaft Engines

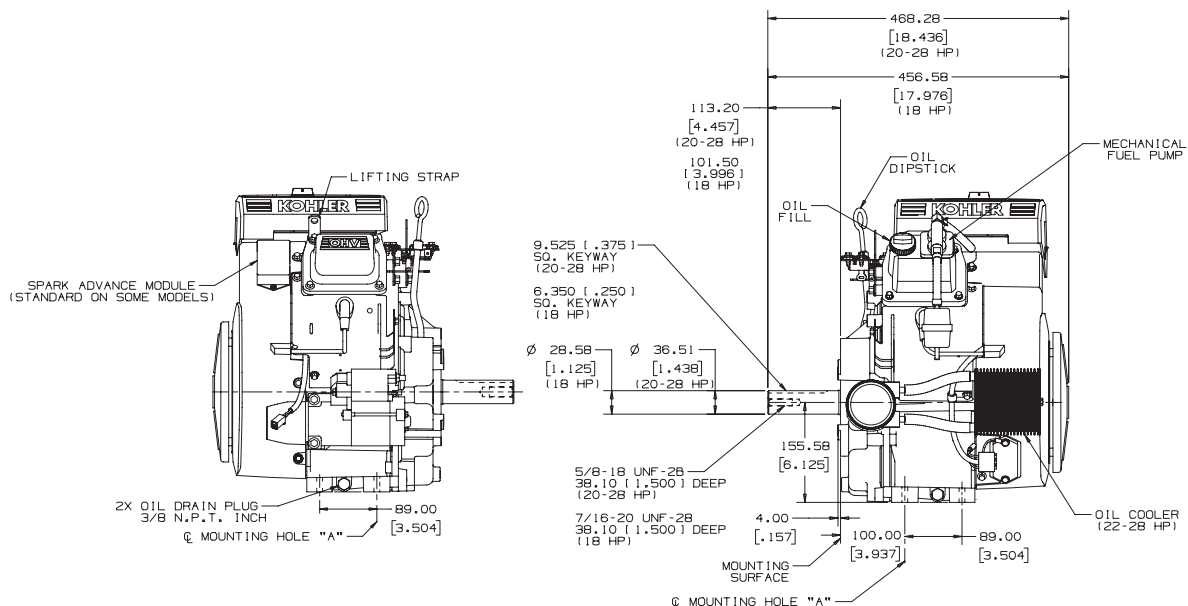
FLAT AIR CLEANER



Side view



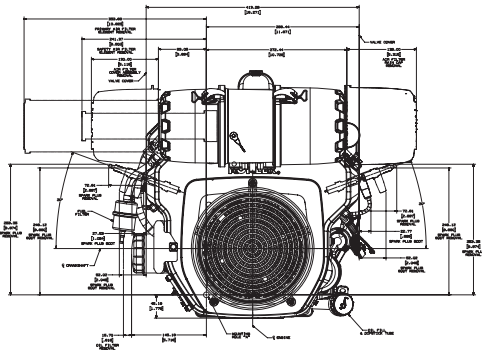
PTO view



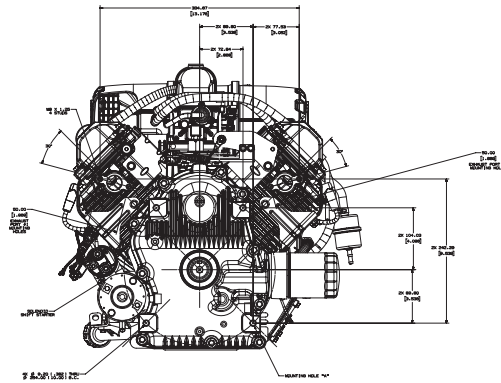
Starter side view

Oil filter side view

HEAVY-DUTY AIR CLEANER

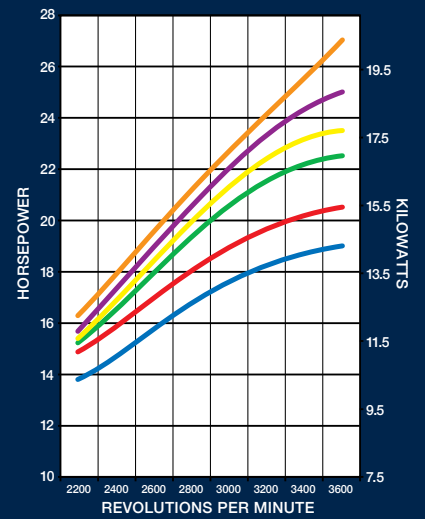


Side view



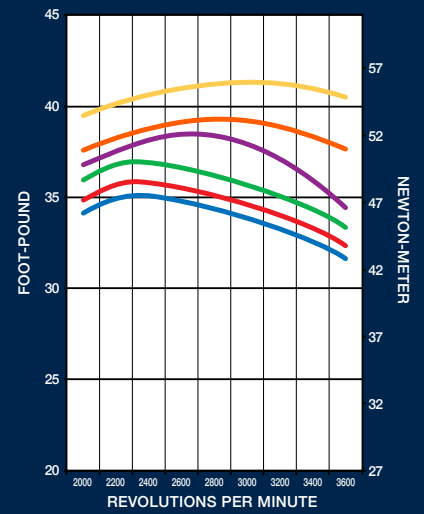
PTO view

MAXIMUM POWER



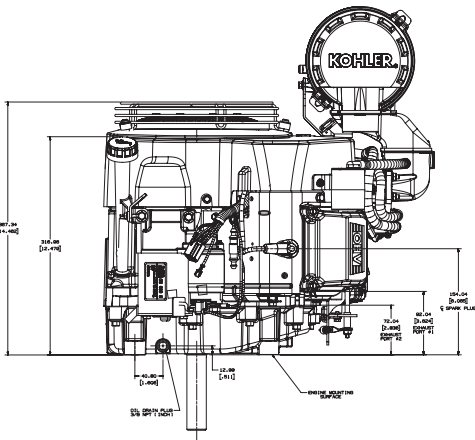
- CH620
- CH640
- CH680
- CH730
- CH740
- CH750

MAXIMUM TORQUE

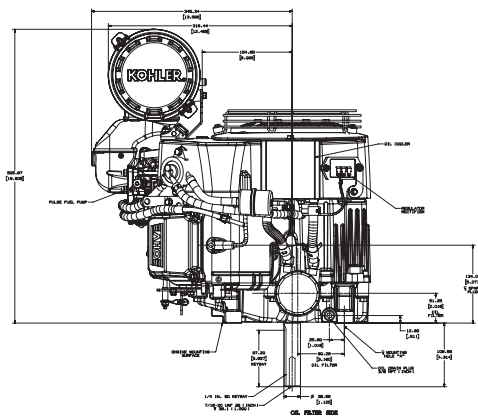


- CH620
- CH640
- CH680
- CH730
- CH740
- CH750

RATED AT 3600 RPM
PER SAE J1490 GROSS



Starter side view

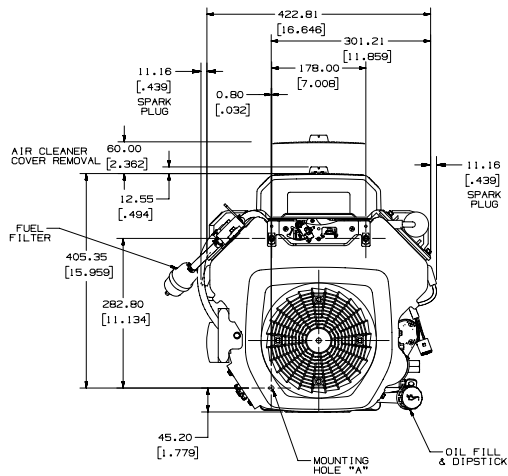


Oil filter side view

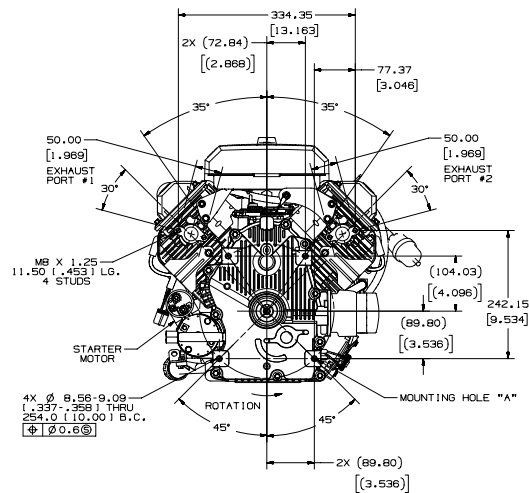
KOHLER® COMMAND PRO®

19–27 HP Vertical Shaft Engines

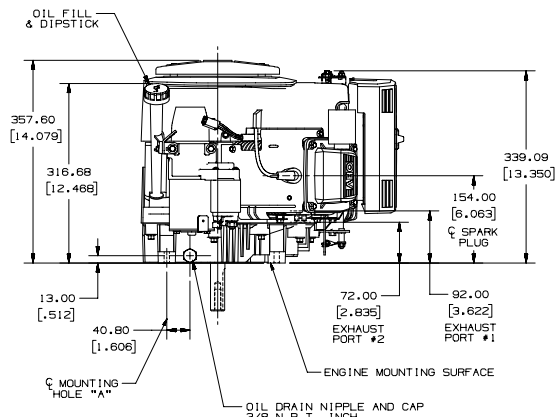
FLAT AIR CLEANER



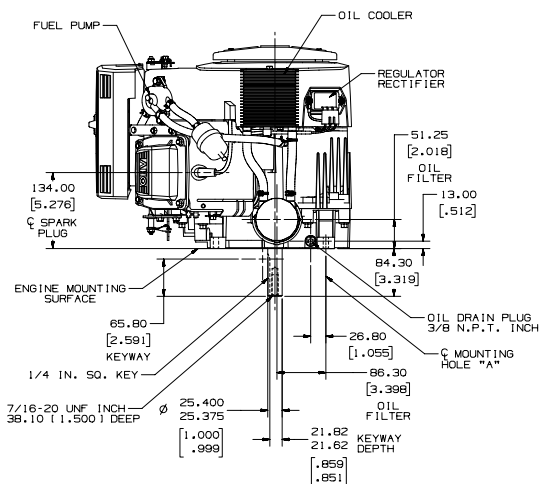
Top view



PTO view

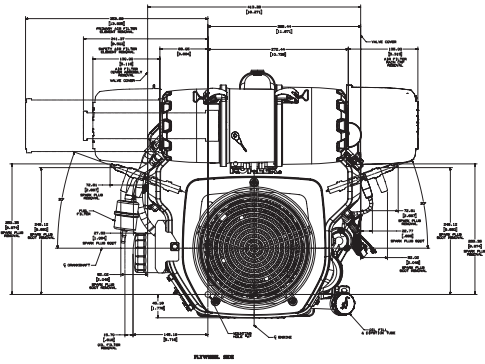


Starter side view

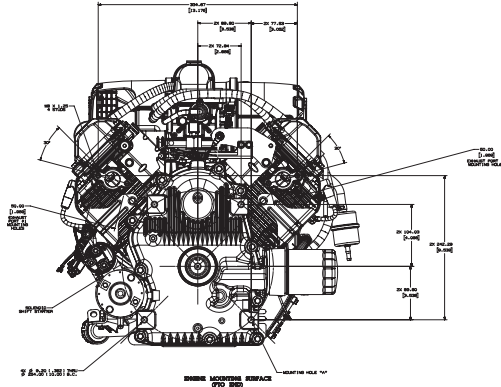


Oil filter side view

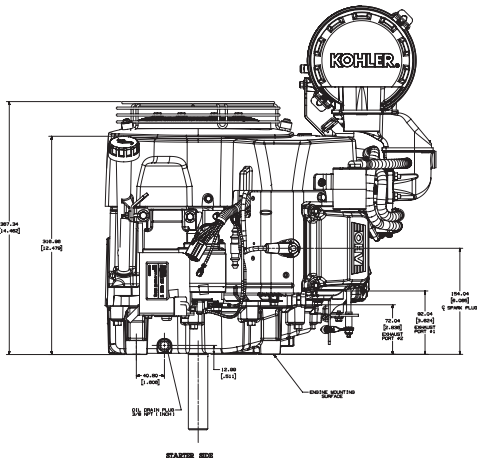
HEAVY-DUTY AIR CLEANER



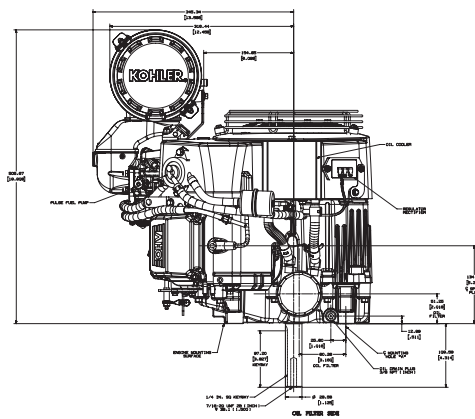
Top view



PTO view

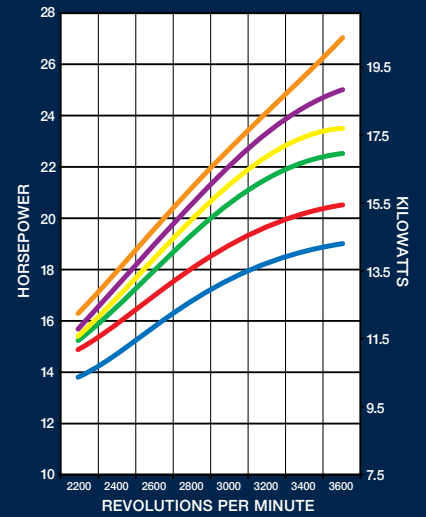


Starter side view



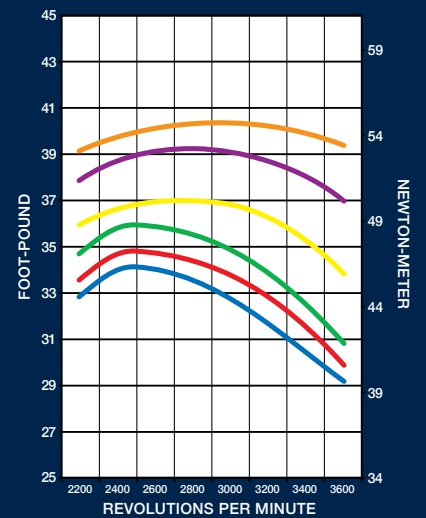
Oil filter side view

MAXIMUM POWER



CV620 CV640 CV680
CV730 CV740 CV750

MAXIMUM TORQUE



CV620 CV640 CV680
CV730 CV740 CV750

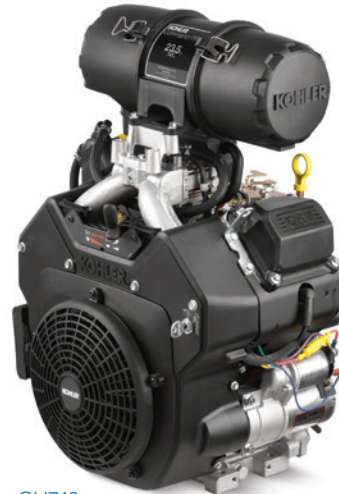
RATED AT 3600 RPM
PER SAE J1490 GROSS

FEATURES AND OPTIONS

KOHLER® COMMAND PRO® V-TWINS HEAVY-DUTY AIR CLEANERS



CV742



CH742

Engine Type		Four-cycle, V-twin cylinder, air-cooled, vertical or horizontal shaft, gasoline, full-pressure lubrication with oil filter, aluminum head and crankcase with cast-iron cylinder liners, two-barrel carburetor					
Model		CH/CV620	CH/CV640	CH/CV682	CH/CV732	CH/CV742	CH/CV752
Gross Power @ 3600 rpm	max. hp (kW)	19 (14.2)	20.5 (15.3)	22.5 (16.8)	23.5 (17.5)	25 (18.6)	27 (20.1)
Displacement	cu in (cc)	41.1 (674)		42.4 (694)	45.6 (747)		
Bore	in (mm)	3.1 (80)			3.3 (83)		
Stroke	in (mm)	2.6 (67)		2.7 (69)			
Peak Torque @ RPM	ft-lb (Nm) @ 2400 rpm	34.0 (46.1) @ 2400 rpm	34.7 (47.0) @ 2400 rpm	39.0 (52.9) @ 2800 rpm	40.3 (54.6) @ 2800 rpm	40.8 (55.3) @ 3000 rpm	41.2 (55.9) @ 3000 rpm
Compression Ratio		8.5 : 1		8.7 : 1		9.1 : 1	
Dry Weight	lb (kg)	90 (41)		105 (48)			
Oil Capacity	U.S. qt (L)	2.0 (1.9)					
Lubrication		Full-pressure lubrication with full-flow filter					
Dimensions*	L x W x H in (mm)	CV620 – 640: 20.5 (521) x 17.7 (451) x 22.5 (572) CV682 – 752: 20.5 (521) x 16.2 (413) x 19.9 (506)					

Horsepower ratings meet Society of Automotive Engineers Small Engine Test Code J1940. Actual engine horsepower is lower and affected by, but not limited to, accessories (air cleaner, exhaust, charging, cooling, fuel pump, etc.), application, engine speed and ambient operating conditions (temperature, humidity and altitude). For more information, contact Kohler Co. Engine Engineering. Kohler reserves the right to change product specifications, designs and equipment without notice and without incurring obligation.

* L = grass screen to PTO mounting face W = spark plug to spark plug H = top of air cleaner cover to mounting feet
L = blower housing to air cleaner cover W = spark plug to spark plug H = top of air cleaner cover to mounting surface



STANDARD FEATURES

Accelerator pump	Yellow oil cap and dipstick*	Mechanical fuel pump (Horizontal)	Electronic ignition
Two-barrel carburetor	Commercial mower package	Pulse fuel pump (Vertical)	Solenoid fuel shutdown
Electronic fuel injection	Large filters (air, oil, fuel)*	Smart-Choke™ carburetor	Oil Sentry™ automatic warning/shutdown system (installed, not wired)
20-amp charging, regulated	Hardened crank journals	12-volt solenoid shift electric start	Full-pressure lubrication/full-flow filter
High-performance spark plugs*	PTO side-load sleeve bearing	Dual-element air cleaner	
Top-mount controls	Hydraulic valve lifters	Dual oil drains	
High-efficiency fan and screen*			

POPULAR FACTORY OPTIONS

Remote oil filter	Five percent governor	Heavy-duty air cleaner	Flywheel PTOs
Rotatable oil filter base	Electronic governor	Guard for rotating grass screen	LP and dual-fuel carburetor
Muffler guard	SAE A/B pump mounts	Chopper-type grass screen	PTO thrust bearing
Variety of mufflers	Choice of air cleaners (flat, HD, WAWB)	Additional crank sizes	Oil cooler
Exhaust deflector/spark arrestor	15- and 25-amp charging systems	Pulse fuel pump (Horizontal)	
Engine-mounted controls (Horizontal)			

*Required features for Command PRO® engines

FEATURES AND OPTIONS

KOHLER® COMMAND PRO® V-TWINS FLAT AIR CLEANERS



CV740



CH740

Engine Type		Four-cycle, V-twin cylinder, air-cooled, vertical or horizontal shaft, gasoline, full-pressure lubrication with oil filter, aluminum head and crankcase with cast-iron cylinder liners, two-barrel carburetor					
Model		CH/CV620	CH/CV640	CH/CV680	CH/CV730	CH/CV740	CH/CV750
Gross Power @ 3600 rpm	max. hp (kW)	19 (14.2)	20.5 (15.3)	22.5 (16.8)	23.5 (17.5)	25 (18.6)	27 (20.1)
Displacement	cu in (cc)	41.1 (674)		42.4 (694)	45.6 (747)		
Bore	in (mm)	3.1 (80)			3.3 (83)		
Stroke	in (mm)	2.6 (67)		2.7 (69)			
Peak Torque @ RPM	ft-lb (Nm)	35.0 (47.5) @ 2400 rpm	35.7 (48.4) @ 2400 rpm	36.8 (49.9) @ 2400 rpm	38.4 (52.1) @ 2800 rpm	39.2 (53.1) @ 3000 rpm	41.2 (55.9) @ 3200 rpm
Compression Ratio		8.5 : 1		8.7 : 1	9.1 : 1		
Dry Weight	lb (kg)	90 (41)		105 (48)			
Oil Capacity	U.S. qt (L)	2.0 (1.9)					
Lubrication		Full-pressure lubrications with full-flow filter					
Dimensions*	L x W x H in (mm)	CH620-740: 14 (355) x 17.7 (451) x 19 (483) CH750: 14 (355) x 17.7 (451) x 22.4 (568)					

Horsepower ratings meet Society of Automotive Engineers Small Engine Test Code J1940. Actual engine horsepower is lower and affected by, but not limited to, accessories (air cleaner, exhaust, charging, cooling, fuel pump, etc.), application, engine speed and ambient operating conditions (temperature, humidity and altitude). For more information, contact Kohler Co. Engine Engineering. Kohler reserves the right to change product specifications, designs and equipment without notice and without incurring obligation.

L = grass screen to PTO mounting face W = spark plug to spark plug H = top of air cleaner cover to mounting feet
L = blower housing to air cleaner cover W = spark plug to spark plug H = top of air cleaner cover to mounting surface



STANDARD FEATURES

Accelerator pump	Commercial mower package	Pulse fuel pump (Vertical)	Oil Sentry™ automatic warning/shutdown system (installed, not wired)
Two-barrel carburetor	Large filters (air, oil, fuel)*	Smart-Choke™ carburetor	Full-pressure lubrication/full-flow filter
20-amp charging, regulated	Hardened crank journals	12-volt solenoid shift electric start	
High-performance spark plugs*	PTO side-load sleeve bearing	Dual-element air cleaner	
Top-mount controls	Hydraulic valve lifters	Dual oil drains	
High-efficiency fan and screen*	Mechanical fuel pump (Horizontal)	Electronic ignition	
Yellow oil cap and dipstick*		Solenoid fuel shutdown	

POPULAR FACTORY OPTIONS

Remote oil filter	Five percent governor	Guard for rotating grass screen	LP and dual-fuel carburetor
Rotatable oil filter base	Electronic governor	Chopper-type grass screen	PTO thrust bearing
Muffler guard	SAE A/B pump mounts	Additional crank sizes	Oil cooler
Variety of mufflers	Choice of air cleaners (flat, HD, WAWB)	Pulse fuel pump (Horizontal)	
Exhaust deflector/spark arrestor	15- and 25-amp charging systems	Flywheel PTOs	
Engine-mounted controls (Horizontal)	Heavy-duty air cleaner		

*Required features for Command PRO® engines

KOHLER[®]
IN POWER. SINCE 1920.

For more information, contact your KOHLER source of supply.
Or call toll-free in the U.S. and Canada 800-544-2444.

KOHLERPOWER.COM

PRINTED IN U.S.A. E-2196-A 5/17 © 2017 KOHLER CO.