



# ELECTRIC LOG SPLITTER

BE-LS7TELL



## OPERATIONS & PARTS MANUAL

PURCHASE DATE	MODEL NO.	SERIAL NUMBER
DEALER		

## TABLE OF CONTENTS

<b>3</b>	IMPORTANT SAFETY INFORMATION
<b>4</b>	SAFETY DECALS
<b>5</b>	SAFETY INFORMATION
<b>11</b>	UNPACKING & ASSEMBLY
<b>12</b>	PRE-OPERATIONAL INSTRUCTIONS
<b>14</b>	OPERATING INSTRUCTIONS
<b>16</b>	MAINTENANCE
<b>18</b>	TROUBLESHOOTING
<b>19</b>	TECHNICAL SPECIFICATIONS
<b>20</b>	EXPLODED DIAGRAM AND PARTS LIST

## INTRODUCTION

### To The Owner

Thank you for purchasing a BE Agriease Log Splitter. It was carefully engineered to provide excellent performance when properly operated and maintained.

Please read this entire manual prior to operating the equipment. It instructs you how to safely and easily set up, operate and maintain your machine. Please be sure that you, and any other person who will operate the machine, carefully follow the recommended safety practices at all times. Failure to do so could result in personal injury or property damage.

All information in this manual is relative to the most recent product information available at the time of printing. Review this manual frequently to familiarize yourself with the machine, its features and operation. Please be aware that this Operator's Manual may cover a range of product specifications for various models. Characteristics and features discussed and/or illustrated in this manual may not be applicable to all models. We reserve the right to change product specifications, designs and equipment without notice and without incurring obligation.

The electric horizontal log splitter is designed to use on a power supply is 115 volts, 60 Hz, AC only (normal household current of 15 amp/20 amp). If you have any problems or questions concerning the machine, phone an authorized service dealer or contact us directly.

Braber Equipment reserves the right to discontinue, change and improve its products at any time without notice or obligation to the purchaser. The description and specifications contained in the manual were in effect at printing. Equipment described within this manual may be optional. Some illustrations may not be applicable to your machine.

Throughout this manual, all references is responsible for all engine-related issues with regards to performance, power-rating, specifications, warranty and service. Please refer to the engine manufacturer's Owner's

## IMPORTANT SAFETY INFORMATION



**WARNING:** Read and thoroughly understand all instructions in this manual and on safety decals before assembling or operating this log splitter. Failure to do so may cause serious injury or death. Do not allow anyone to operate this log splitter who has not read this manual. As with all power equipment, a log splitter if you have any questions concerning safe operation.



**WARNING:** This SAFETY ALERT SYMBOL identifies important safety messages in this manual. Failure to follow this important safety information may result in serious injury or death.

## INTENDED USE

NEVER use this log splitter for any purpose other than splitting wood. It is designed for this use only. Any other use can cause serious injury or death.

## PROTECTIVE EQUIPMENT

BEFORE operating this log splitter make sure that you wear safety gear such as goggles or safety glasses, steel toed shoes and tight-fitting gloves (without loose cuffs or draw strings). Always wear a protective hearing device when operating this log splitter.

NEVER wear loose clothing or jewellery that can be caught by moving parts of the log splitter. Keep clothing and hair away from all moving parts when operating this log splitter.

## SAFETY DECALS

Make sure that all safety warning decals are in good condition and readable. Always replace missing or defaced decals.

<b>WARNING!</b>		<p>splitter.</p> <ul style="list-style-type: none"> <li>• Only one person is permitted to load logs and operate controls. Keep bystanders, children, pets and helpers at least 25 ft. away.</li> <li>• Always stay in operator zone specified by manufacturer during operation.</li> <li>• Keep work area clear of split wood, debris, and other obstacles.</li> <li>• Do not leave motor running unattended.</li> <li>• Only split wood in the direction of the grain.</li> <li>• Do not operate log splitter under the influence of alcohol or drugs.</li> <li>• Keep hands, feet and all body parts away from splitting wedge, end plate, partially split wood, and moving parts.</li> <li>• Do not stand on or reach over log splitter.</li> <li>• Do not refill hydraulic oil while motor and</li> </ul>	<b>CAUTION!</b>
	<ul style="list-style-type: none"> <li>• Read and understand safety and operating instructions in owner's manual completely. Failure to do so may result in serious injury or death.</li> <li>• Always wear safety glasses, safety shoes, protective hearing devices, and tight fitting gloves during operation.</li> <li>• Set up log splitter on clear, level, dry and solid ground. Keep off slopes and slippery surfaces. Always block the wheels.</li> <li>• No one under the age of 18 should operate log</li> </ul>	<ul style="list-style-type: none"> <li>• pump are hot or running.</li> <li>• Never check for leaks with your hands during operation. High pressure fluid can escape from small holes and cause serious injury by puncturing skin which could result in blood poisoning.</li> <li>• Do not split wood larger than recommended capacity.</li> <li>• Do not force the log splitter. It is already designed to operate at its maximum speed and tonnage. If you experience especially hard wood, DO NOT continue to push on controls for over 3 seconds.</li> <li>• Do not attempt to remove split logs until the ram completes its cycle.</li> <li>• NEVER use your hands to remove a jammed log.</li> </ul>	

### 7 Ton Log Splitter

**OPERATING INSTRUCTIONS**

- Read and understand Owner's Manual completely. Failure to do so may result in serious injury or death.
- Start the motor.
- Grab the sides of the log to load it onto the rail, aligning it against the end wedge.
- If necessary, stabilize the log by holding its sides, NEVER by the ends or the top.
- Move the control handle **DOWN** to extend the cylinder, driving the ram against the log to the end wedge to split.
- Release the control handle **UP** to retract the cylinder, the ram will automatically return to its starting position.

**OPERATING TIPS**

- Before every operation, **LOOSEN** the hydraulic vent plug to allow air in and out. Failure to do so may blow the seals, and void warranty.
- Use an extension cord of minimum wire size 14 A.W.G.. Undersized extension cord will cause an obvious loss of power.
- **DO NOT** continue to push on the control handle for more than 3 seconds when you experience extremely hard wood. The tool is designed to operate within its maximum speed and power. Force the tool will cause permanent damage and void warranty.

**UP**

**DOWN**

Control Handle

**Motor YY80AL-2**

115V AC, 60 Hz, 2 HP, 13.5 A  
3400r/min, IP54, INSCLE: B

**WARNING!**

- Do NOT expose to rain or use in damp locations!
- Only use a 3-prong grounding plug and a 3-pole outlet!
- When using an extension cord, ensure that it uses a 3-prong plug, and sufficient A.W.G.
- Check that the switch, cable, and plug are not damaged before each use to avoid electric shock or short circuit.

**CAUTION!**

- Never tamper with the motor or run it at excessive speeds.
- Always unplug from power source while repairing or adjusting the log splitter.
- Never overload the motor. The motor could overheat, blow a fuse, or trip a circuit breaker.
- Do NOT leave the motor running unattended.

### 7 Ton Log Splitter LS7TELL

Motor: 115V, 60 Hz, 2 HP, 13.5A  
Max. splitting force: 7 Ton  
Max. splitting length: 20.5 inch  
Max. splitting diameter: 10 inch  
Net weight: 117 lbs  
Serial NO.:

**Braber Equipment Ltd.**  
34425 McConnell Rd, Abbotsford BC, V2S 7P1  
www.brabereq.com | 1-877-588-3311

**REMOVE HANDLE ON OTHER END BEFORE STANDING UPRIGHT**

### NOTICE

- Hydraulic oil level has been preset by manufacturer. Check the oil level periodically or as necessary if the machine malfunctions indicating a shortage of hydraulic oil in the tank. Pressure oil level is within the range specified on dipstick. Never run the log splitter without sufficient oil. The hydraulic pump could become damaged.
- Change hydraulic oil every 100 hours of use. The reservoir of this log splitter is filled with AW32 universal hydraulic oil. Dextron II transmission fluid can be used as a substitute should AW32 oil not be available. Do NOT mix AW32 hydraulic oil with Dextron II transmission fluid. Drain the reservoir if you wish to use Dextron II.
- Before operation, **LOOSEN** the vent plug (wing nut) by turning it counterclockwise about 4-5 rotations. This will allow air to pass into and out of the reservoir during operation. Failure to loosen the vent plug will cause pressure to build up in the reservoir which could damage seals and affect normal operation. **RETIGHTEN** the vent plug after every use. Do not move the log splitter without retightening the vent plug. Do not over tighten.













**ON**  
Depress the button

**OFF**  
Release the button

**Pinch Point!!**  
DO NOT touch this handle when splitting

## SAFETY INFORMATION




This page depicts and describes safety symbols that may appear on this product. Read, understand and follow all instructions on the machine before attempting to assemble and operate.

SYMBOL	NAME	DESIGNATION/EXPLANATION
V	Volts	Voltage
A	Amperes	Current
Hz	Hertz	Frequency (cycles per second)
W	Watt	Power
min	Minutes	Time
~	Alternating Current	Type of current
=	Direct Current	Type or a characteristic of current
no	No Load Speed	Rotational speed, at no load
	Class II Construction	Double-insulated construction
.../min	Per Minute	Revolutions, strokes, surface speed, orbits etc., per minute
	Wet Conditions Alert	Do not expose to rain or use in damp locations.
	Read The Operator's Manual	To reduce the risk of injury, user must read and understand operator's manual before using this product.
	Eye, Face & Ear Protection	Always wear safety goggles or safety glasses with side shields, earplugs and a face shield when operating this product.
	Safety Alert	Precautions that involve your safety.
	Wear Gloves	Always wear nonslip, heavy-duty protective gloves when operating this product.
	Wear Safety Footwear	Always wear nonslip safety footwear when operating this product.
	Keep Bystanders Away	Always keep bystanders at least 25 ft. (7.5 m) away.
	Keep Hands Away	Always keep hands away from the wedge and the ram.
	Pinch Point	Never touch the cylinder bed, ram, or wedge during machine operation.
	Rotating & Moving Parts Alert	Beware of rotating and moving parts, serious injury could occur.
	Electric Shock Alert	Never touch damaged or exposed wires while the machine is connected to a power source.



## SAFETY SIGNALS

The following signal words and meanings are intended to explain the levels of risk associated with this product.

SYMBOL	SIGNAL	MEANING
	<b>DANGER:</b>	Indicates an imminently hazardous situation, which, if not avoided, will result in death or serious injury.
	<b>WARNING:</b>	Indicates a potentially hazardous situation, which, if not avoided, could result in death or serious injury.
	<b>CAUTION:</b>	Indicates a potentially hazardous situation, which, if not avoided, may result in minor or moderate injury.
	<b>CAUTION:</b>	(Without Safety Alert Symbol) Indicates a situation that may result in property damage.

### **WARNING:**



The operation of any power tool can result in foreign objects being thrown into your eyes, which can result in severe eye damage. Before beginning power tool operation, always wear safety goggles or safety glasses with side shields and, when needed, wear a full face shield and earplugs. We recommend a Wide Vision Safety Mask for use over eyeglasses or standard safety glasses with side shields. Always use eye protection which is marked to comply with ANSI Z87.1.

## EXTENSION CORDS

Use only 3-wire extension cords that have 3-prong grounding plugs and 3-pole receptacles that accept the tool's plug. When using a power tool at a considerable distance from the power source, use an extension cord heavy enough to carry the current that the tool will draw. An undersized extension cord will cause a drop in line voltage, resulting in a loss of power and causing the motor to overheat. Use the chart provided below to determine the minimum wire size required in an extension cord. Only round jacketed cords listed by Underwriter's Laboratories (UL) should be used.

\*\*Ampere rating (on tool faceplate)

CORD LENGTH	WIRE SIZE (A.W.G.)					
	0-2.0	2.1-3.4	3.5-5.0	5.1-7.0	7.1-12.0	12.1-16.0
25'	14	14	14	12	12	12
50'	14	14	12	12	10	10
100'	12	12	10	10	10	-

\*\*Used on 14 gauge - 15 amp circuit or 12 gauge - 20 amp circuit

Note: AWG = American Wire Gauge

When working with the tool outdoors, use an extension cord that is designed for outside use. This is indicated by the letters "WA" on the cord's jacket.

Before using an extension cord, inspect it for loose or exposed wires and cut or worn insulation.

## ELECTRICAL SAFETY



**WARNING:** Keep the extension cord clear of the working area. Position the cord so that it will not get caught on lumber, tools or other obstructions while you are working with a power tool. Failure to do so can result in serious personal injury.



**WARNING:** Check extension cords before each use. If damaged replace immediately. Never use tool with a damaged replace immediately. Never use tool with a damaged cord since touching the damaged area could cause electrical shock resulting in serious injury.

## ELECTRICAL CONNECTION

This tool is powered by a precision built electric motor. It should be connected to a power supply that is 115 Volts, 60 Hz, AC only (normal household current). Do not operate this tool on direct current (DC).

A substantial voltage drop will cause a loss of power and the motor will overheat. If the product does not operate when plugged into an outlet, double check the power supply.

## SPEED & WIRING

The speed is not constant and decreases under a load or with lower voltage. For voltage, the wiring in a shop is as important as the motor's horsepower rating. A line intended only for lights cannot carry a power tool motor. Wire that is heavy enough for a short distance will be too light for a greater distance. A line that can support one power tool may not be able to support two or three tools.

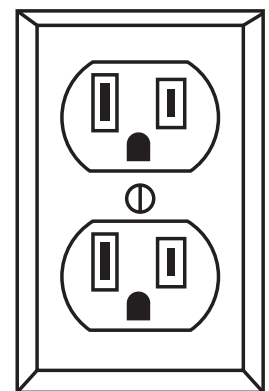
## GROUNDING INSTRUCTIONS

In the event of a malfunction or breakdown, grounding provides a path of least resistance for electric current to reduce the risk of electric shock. This tool is equipped with an electric cord having an equipment-grounding conductor and a grounding plug. The plug must be plugged into a matching outlet that is properly installed and grounded in accordance with all local codes and ordinances.

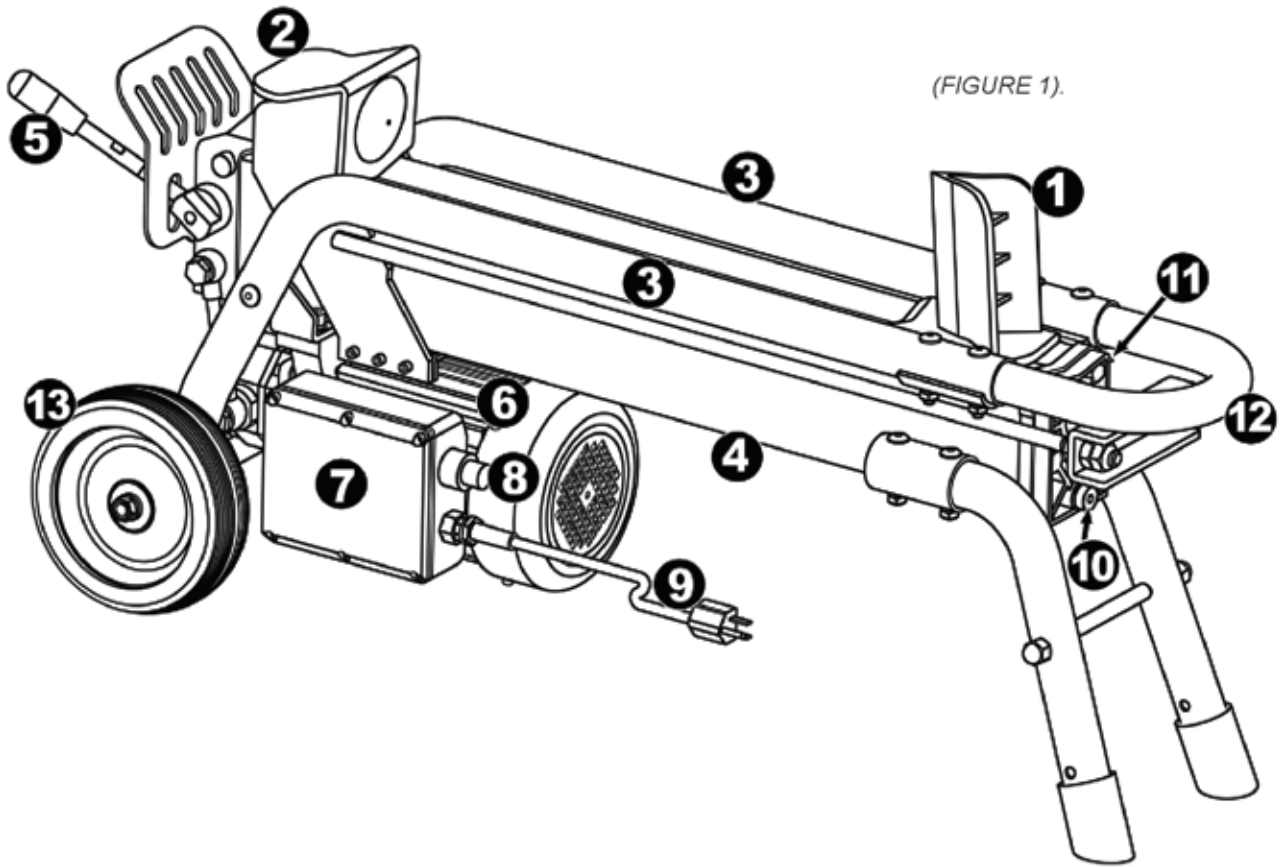
Do not modify the plug provided. If it will not fit the outlet, have the proper outlet installed by a qualified electrician. Improper connection of the equipment-grounding conductor can result in a risk of electric shock. The conductor with insulation having an outer surface that is green with or without yellow stripes is the equipment-grounding conductor. If repair or replacement of the electric cord or plug is necessary, do not connect the equipment-grounding conductor to a live terminal.

Check with a qualified electrician or service personnel if the grounding instructions are not completely understood, or if in doubt as to whether the tool is properly grounded.

Repair or replace a damaged or worn cord immediately. This tool is intended for use on a circuit that has an outlet like the one shown below. Ensure that the outlet has a grounding pin.



## LOG SPLITTER OVERVIEW



(FIGURE 1).

REF	DESCRIPTION
1	End Wedge
2	Sliding Ram
3	Support Legs, Log Holder
4	Machine Body / Oil Reservoir
5	Control Handle
6	115V, 2HP Motor
7	Motor Control Box
8	On/Off Switch
9	Electrical Cable w/ Plug
10	Oil Drain Bolt w/ Dipstick
11	Vent Plug
12	Towing Handle (DO NOT touch it during operation)
13	Wheel



## GENERAL SAFETY

Failure to follow these instructions may result in serious injury or death.

**ALWAYS** read the operator's manual before operation.

**NEVER** allow children to operate this log splitter. **NEVER** allow adults lacking proper instructions and understanding to operate this log splitter.

**KEEP** all people and pets a minimum of 25 feet away from your work area when operating this log splitter during use.

**ALWAYS** wear safety glasses.

**NEVER** activate the control until all people are clear of the work.

**NEVER** use in an explosive atmosphere.

**GUARD** against electrical shock by preventing body contact with grounded surfaces. For example: pipes, radiators, ranges, refrigerator enclosures.

**KEEP** guard in place and in good working order.

**USE** the proper extension cord. Make sure your extension cord is in good condition.

**NEVER** operate the log splitter when under the influence of alcohol, drugs or medication.

**NEVER** allow a person who is tired or otherwise not alert to operate the log splitter.

**USE** only an electrical circuit having adequate capacity as needed by the log splitter manufacturer.

**"BLOWING"** a fuse or tripping a circuit breaker is usually a warning that you are overloading the machine or have too many devices taking power from the circuit, or both. **DO NOT** install a higher capacity fuse!

**NEVER** operate the log splitter on slippery, wet, muddy or icy ground.

**ONLY** operate your log splitter on level ground. Operating on a slope could cause the log splitter to roll over or logs to fall off.

**NEVER** attempt to move your log splitter over hilly or uneven terrain.

**ALWAYS** block the wheels to prevent movement of the log splitter while in operation.

**NEVER** leave tools or pieces of wood on the tool while it is in operation.

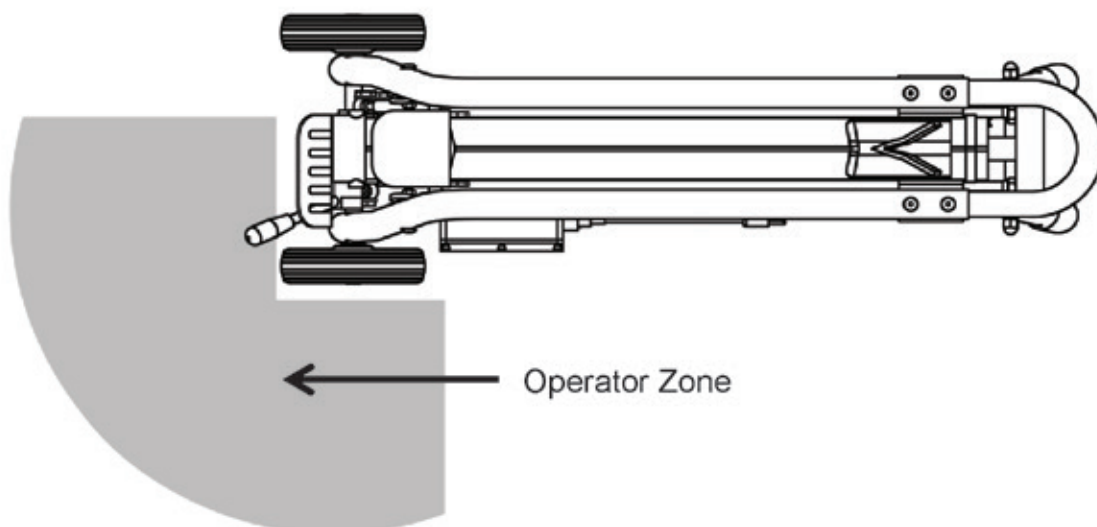
**ONLY** operate your log splitter in daylight or under good artificial light.

**ALWAYS** keep the work area clean. Remove split wood around your log splitter immediately so that you don't stumble over it.

## OPERATOR ZONE

ONLY operate the log splitter from the operator zone as shown in the diagram. The operator has the safest and most efficient access to the control valve and the beam in this location. Failure to operate the log splitter in this position can result in serious injury or death.

(FIGURE 2).



## **OPERATION OF LOG SPLITTER**

**KNOW** how to stop the log splitter and disengage the control before operating it.

**NEVER** place hands or feet between the log and splitting wedge during forward or reverse stroke.

**NEVER** straddle or step over the log splitter during operation. NEVER reach or bend over the log splitter to pick up a log. NEVER try to split two logs on top of each other.

**NEVER** try to cross split a log.

**NEVER** attempt to load your splitter when the ram or wedge is in motion.

**ALWAYS** use your hand to operate the control lever on the valve. NEVER use your foot, a rope or any extension device.

**NEVER** move the log splitter while the motor is running. Shut off the motor even if you are leaving the log splitter for a short period of time.

## **MAINTENANCE SAFETY**

**NEVER** operate your log splitter when it is in poor mechanical condition or in need of repair. Periodically check that all nuts, bolts, screws, hydraulic fitting and hose clamps are tight.

**NEVER** alter your log splitter in any manner under any circumstances. Such alterations may cause your log splitter to be unsafe and will void the warranty.

**ALWAYS** unplug from the power source while repairing or adjusting the splitter.

Perform all recommended maintenance procedures before using your log splitter. Replace all damaged or worn parts immediately.

**NEVER** tamper with the motor to run it at excessive speeds. The maximum motor speed is pre-set by the manufacturer and is within the safety limits.

**ALWAYS** check the level of hydraulic oil before operation.

**ALL** replacement parts must meet manufacturer's specifications.

## HYDRAULIC SAFETY

The hydraulic system of your log splitter requires careful inspection along with the mechanical parts. Be sure to replace frayed, kinked, cracked or otherwise damaged hydraulic hoses or hydraulic components.

**NEVER** check for leaks of hydraulic fluid with your hand. Fluid escaping from a small hole can be almost invisible. Escaping fluid under pressure can have sufficient force to penetrate skin causing serious personal injury or even death. Leaks can be detected by passing a piece of cardboard over the suspected leak and looking for discoloration.

**ALWAYS** be sure to relieve all pressure by shutting off the motor and moving the control handle back to the stop position.

**NEVER** remove the vent plug from the hydraulic tank or reservoir while the log splitter is running. The tank could contain hot oil under pressure which could result in serious injury.

**NEVER** adjust the hydraulic valve. The pressure relief valve on your log splitter is pre-set at the factory. Only a qualified service technician should perform this adjustment.

## FIRE PREVENTION

**NEVER** operate your log splitter near a flame or spark. Hydraulic oil is flammable and can explode.

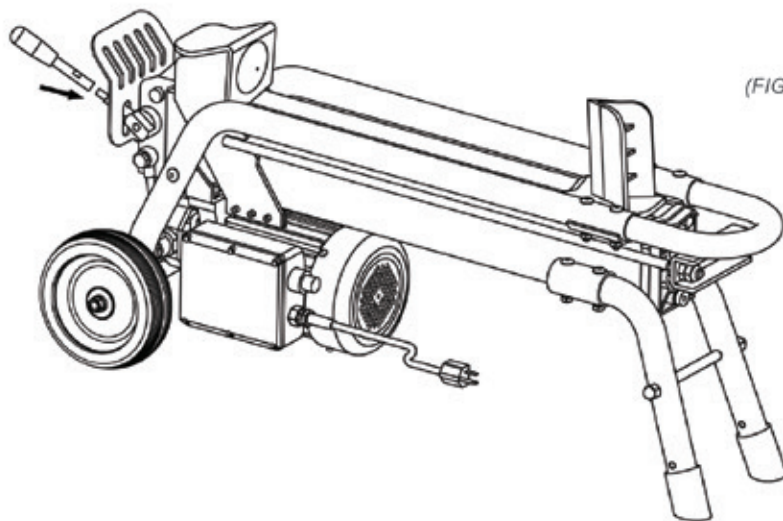
**NEVER** smoke while operating or refueling your log splitter. Gas fumes can easily explode.

**ALWAYS** take a class B fire extinguisher with you when operating this log splitter in dry areas as a precautionary measure against possible flying sparks.

## UNPACKING & ASSEMBLY

This product has been shipped pre-assembled (see Figure 3).

- Carefully remove the log splitter and all accessories from the box. Make sure that all items listed in the packing list are included.
- Inspect the tool carefully to make sure no breakage or damage occurred during shipping.
- Do not discard packing materials until you have carefully inspected and satisfactorily operated the tool.
- If any parts are damaged or missing, call your local dealer for assistance.
- Screw on the control handle lever before operation (see Figure 3).



(FIGURE 3).

## PRE-OPERATIONAL INSTRUCTIONS

### **⚠ WARNING:**

If any parts are damaged or missing, do not operate this tool until the missing parts are replaced. Failure to do so could result in possible personal injury.

Do not attempt to modify this tool or create accessories not recommended for use with this tool.

Any such alteration or modification is misuse and could result in a hazardous condition leading to possible serious personal injury.

Do not connect to power supply until assembly is complete. Failure to comply could result in accidental starting and possible personal injury.

### **BEFORE USING THE LOG SPLITTER**

- Always block the wheels to prevent movement of the log splitter while in operation.
- Clear the work area.
- Check that all nuts, bolts and hydraulic fittings are tight to be sure the equipment is in safe working condition.
- Make sure your outlet type, voltage and frequency match the data stated on the serial number label (or "Technical Specifications" in this manual).
- Check that the switch, power cable and plug are not damaged (no cracks, etc.) to prevent the risk of electric shock or a short circuit.
- Wear non-slip safety shoes, safety goggles, safety gloves, protective hair covering and suitable work clothing.
- Never wear jewelry, necktie and other loose clothing.

Loosen the hydraulic vent plug to release any trapped air that may have accumulated during shipping. Operate the log splitter for several cycles to repel the air. Do not move the splitter while the vent plug is loosened as the hydraulic fluid could spill out. Air must flow in and out of the oil tank during operation to prevent the hydraulic system from rupturing. Refer to the oil tag for further details.

**NOTE:** Before every operation, loosen the hydraulic vent plug. Air must flow in and out of the oil tank during operation. Failure to loosen the hydraulic vent prior to operation of this product may cause abnormal splitting or the seals in the hydraulic system to blow out. Blown seals could cause permanent damage to the log splitter.

### **Log Preparation**

Log should be cut with square ends. Never split logs larger than 10 in. diameter or 20-1/2 in. long. Uneven logs (e.g., knotted, curved, etc.) should not be used.

**Oil the Wedge and upper side of the machine body.** This will allow the log to move smoothly on the surface (see highlighted parts on Figure 4).

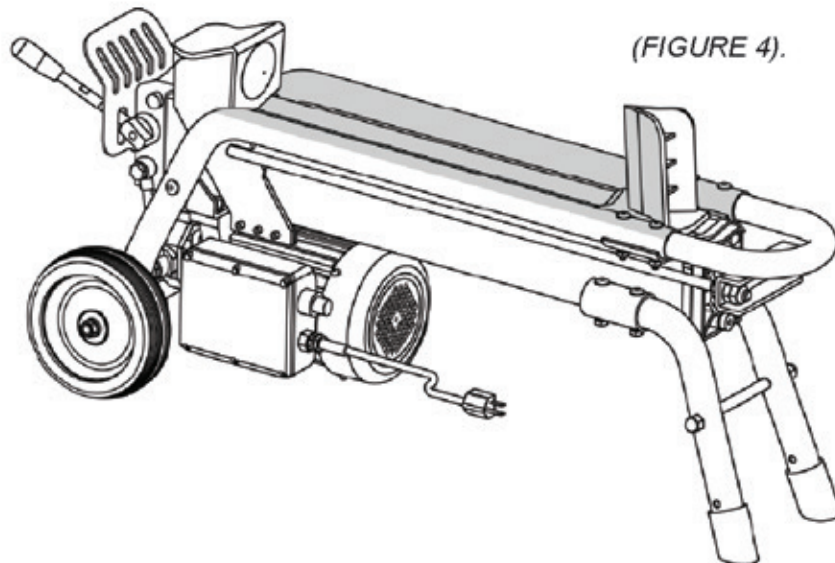
### **⚠ WARNING:**

Do not allow familiarity with tools to make you careless. Remember that a careless fraction of a second is sufficient to inflict serious injury.

Always wear safety goggles or safety glasses with side shields when operating this tool. Failure to do so could result in object being thrown into your eyes resulting in possible serious injury.

Do not use any attachments or accessories not recommended by the manufacturer of this tool.

The use of attachments or accessories not recommended can result in serious personal injury.



(FIGURE 4).

The oil level has been pre-set by the manufacturer. Check the oil level periodically or as necessary if the machine malfunctions indicating a shortage of hydraulic oil in the tank: the ram is running slowly, not enough power output, or the ram can't extend fully.

**How to check the oil level:**

- Unplug the log splitter and screw off the control handle lever.
- Using the lift handle, stand the log splitter on the wheels end, with a block under position shield. Do not stand on the control handle, which will damage the valve core. (See Figure 8).
- Using a wrench, remove the oil drain bolt.
- Wipe the dipstick clean then reinsert it back into the oil tank.
- Remove the dipstick and check to see if the oil level is between the first and second groove on the dipstick (See Figure 7.)

**NOTE:** See “Replacing Hydraulic Oil” in the Maintenance section for recommended oil type.

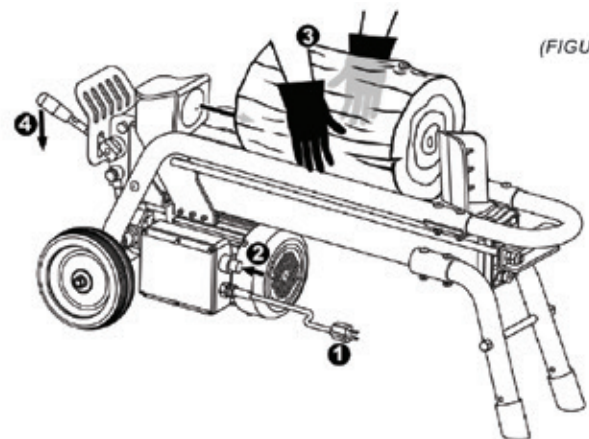


## OPERATING INSTRUCTIONS

1. Plug the unit into a 3-prong outlet.
2. Press the power button to turn the splitter on.
3. Place the log firmly against the wedge.
4. Move control handle down to split the log. Release the handle to retract the ram automatically and begin loading the next log.
5. When the machine is no longer in use, switch it off and unplug the power cable.

### SAFETY NOTES:

- Ensure that the horizontal distance between the splitter is more than 5 feet.
- Load each log by grasping the rounded sides of the log only.
- Only allow responsible adults, who have read and understand the manual, to operate this machine.
- Be familiar with all controls and proper operation. Know how to stop the machine quickly in the event of an emergency.
- Do not operate the machine while under the influence of alcohol, drugs or medication.
- Only a single operator is allowed to load and operate this log splitter. Keep bystanders, helpers, pets and children a sufficient distance, at least 25 feet from the machine.
- Only use your hands to operate the control handle and the switch. Arms, feet, knee, rope, heavy objects and extension device are not allowed.
- Never put any parts of your body between the extending ram and the wedge.
- Don't step over the log splitter when the motor is running.
- Always split log along its grain. If it is cut against the grain, there is potential for the wood to burst or fly out resulting in injury.
- Don't force the tool. It is already designed to operate at its maximum speed and tonnage. If you experienced problems splitting especially hard wood, do not continue to push on the control handle for more than 3 seconds. Release the control handle at once to avoid damage. If the motor stops, turn off the motor and then turn it back on again to continue operation.
- If the log is clipped or jammed on the wedge, release the control handle and unplug the power cable immediately. Gently knock off the log with a hammer or mallet (not with your hands).
- Never attempt to split more than one log at a time unless the ram has fully extended and a second log is needed to complete the separation of the first log. Never attempt to split one log on top of another.
- Regularly clear the split wood to keep the work area clear of debris.
- Periodically check that all nuts, bolts, screws, hydraulic fittings and hose clamps are tightened.
- Never operate your splitter on wet, muddy or icy surfaces. Safe footing is essential in preventing accidents.
- Never leave the machine unattended while the motor is running.
- Never use this machine in a damp or rainy environment.
- Only operate the log splitter when there is sufficient lighting.
- Never tamper with the motor to run it at excessive speeds. The maximum motor speed is pre-set by the manufacturer and is within safety limits.
- Switch off and unplug the power cable if the machine malfunctions. For example: if the machine makes loud noises and the ram is running erratically, there is a strong possibility that there is excessive air in the hydraulic lines or there is a shortage of hydraulic oil in the tank (refer to the Trouble shooting section for the solution).
- Do not pull on the power supply cable to unplug the machine.



## SPLITTING LOGS

See Figure 5.

Always place logs lengthwise on the work table and resting firmly on the side supports with one end against the wedge. Place logs flat and in the direction of the grain. Never angle the log to split it or place the log crosswise on the splitter. Never split more than one log at a time.

- Place log lengthwise and lying flat on the work table.
- Both ends of the log should be cut as square as possible to help prevent the log from riding out of the splitter during operation.
- Do not split logs greater than 20.5 inches in length.

**NOTE:** If the log is small, place it against the wedge before starting the splitter.

### **WARNING:**

**Never keep pressure on the wood by trying to force the log splitter for more than three seconds. After three seconds, the oil will heat up and could damage the tool.**

## TRANSPORTATION

- This machine can fit in most for transportation.
- Ensure that splitter is properly secured before the vehicle is in motion.
- Ensure vent plug is tightened and that all hydraulic fittings are tight to avoid leaking oil.

### **NOTE:**

- Never move this machine while the motor is running.
- Be extra cautious when moving this machine on rugged and rough terrain.
- Store the machine upright so and ensure that it cannot be tipped over during transport.
- Never allow anyone to ride on the machine while transporting.

## STORAGE

- Store this unit switched off and unplugged.
- Allow machine to cool 5 minutes after every use before storing.
- Protect power supply cable from heat, sunshine, aggressive liquids and sharp edges.
- Store unit in a clean, dry area. Do not store in unprotected areas outdoors. Never place near corrosive materials or in a damp environment.
- Do not allow children near the splitter.

## MAINTENANCE

### **⚠ WARNING:**

When servicing, use only identical replacement parts. Use of any other parts may create a hazard or cause product damage.

Only the parts shown on the parts list are intended to be repaired or replaced by the customer.

All other parts should be replaced at an Authorized Service Center.

## GENERAL MAINTENANCE

Avoid using solvents when cleaning plastic parts. Most plastics are susceptible to damage from various types of commercial solvents and may be damaged by their use. Use clean wipes to remove dirt, dust, lubricant, grease, etc.

### **⚠ WARNING:**

do not at any time let brake fluids, gasoline, petroleum-based products, penetrating lubricants, etc., come in contact with plastic parts. Chemicals can damage, weaken or destroy plastic which may result in serious personal injury.

## SHARPENING THE WEDGE

After using the log splitter for some time, it may be necessary to sharpen the wedge. Using a fine-toothed file smooth any burrs or crushed areas along the cutting edge.

## LUBRICATION

All of the bearings in these tools are lubricated with a sufficient amount of high-grade lubricant for the life of the unit under normal operating conditions. Therefore, no further lubrication is required on the bearings.

### REPLACING HYDRAULIC OIL

See Figures 6, 7, 8 & 9

The hydraulic oil in the log splitter should be changed every 100 hours of use.

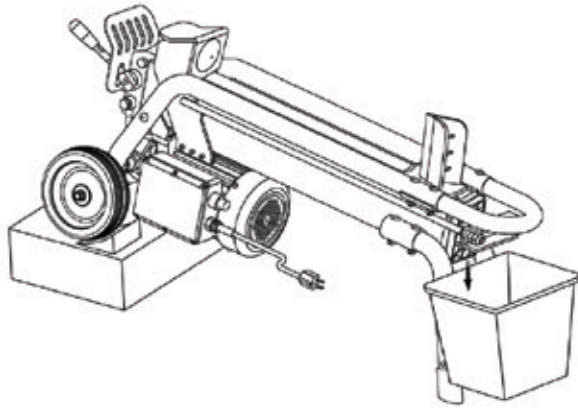
- Unplug the log splitter.
- Position the log splitter so that the oil drain bolt is positioned lower than the opposite side of the machine. Ensure that the log splitter is tilted to an angle of at least 30 degrees. The log splitter should be placed securely.
- Using a wrench, remove the oil drain bolt and disconnect the vent plug.
- Drain the hydraulic oil from the oil tank into a container of no less than four-liter capacity.
- Once the oil has drained from the oil tank, turn the log splitter on the end with the wheels.
- Refill the oil tank with fresh hydraulic oil (3.8 liters or 4 quarts).
- Place the cleaned dipstick into the oil tank. Remove and check the oil level.
- If the proper level is reached, level down the log splitter, start the motor and cycle the ram several times to remove excess air from the reservoir.

**NOTE:** The oil level should be between the two grooves around the bottom of the dipstick as shown in Figure 7.

- Use AW32 hydraulic fluid.
- Replace oil drain bolt. Tighten securely.
- Dispose old oil at an oil recycling center.
- Refer to the oil tag for additional details.

**FIGURE 6.**

*Drain Oil from Reservoir*



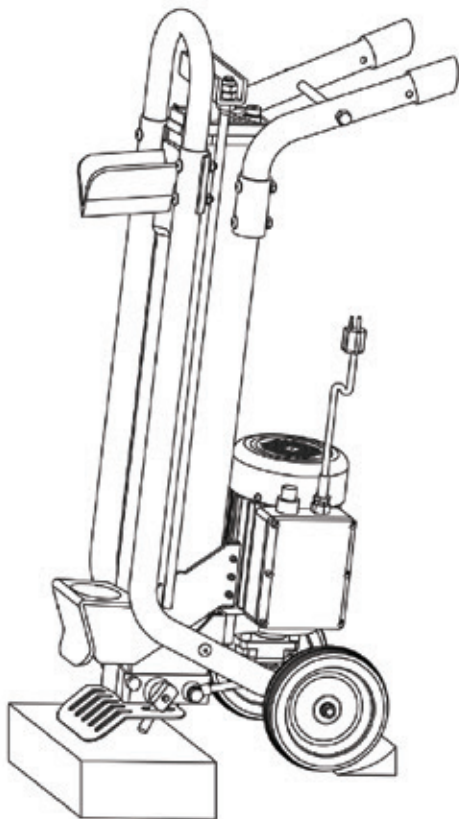
**FIGURE 7.**

*Note Acceptable Oil Fill Level*



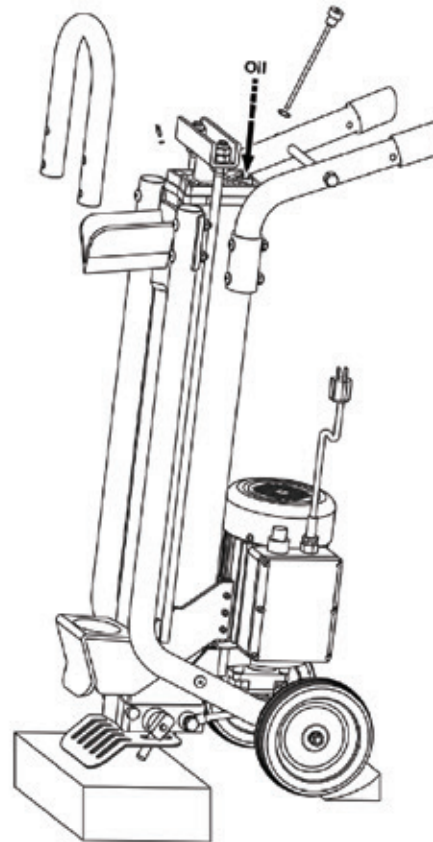
**FIGURE 8.**

*Remove the control handle lever and Place Log Splitter In Vertical Position*



**FIGURE 9.**

*Remove U-Joint and Refill Oil to Desired Level*



## TROUBLESHOOTING

PROBLEM(S)	POSSIBLE CAUSE	CORRECTIVE ACTION
Motor fails to start	<ul style="list-style-type: none"> <li>• Overload Protection Device is disengaged to protect the log splitter from being damaged.</li> </ul>	<ul style="list-style-type: none"> <li>• Switch off the motor and unplug the power cable. Let motor cool down for 5 min and restart. If this does not solve the problem, call your dealer for customer support.</li> </ul>
The log splitter won't split logs.	<ul style="list-style-type: none"> <li>• Log is improperly positioned.</li> <li>• The size or hardness of the log exceeds the machine's capacity.</li> <li>• Wedge cutting edge is blunt.</li> <li>• Insufficient hydraulic oil.</li> <li>• Unauthorized adjustment was made on the Maximum Pressure Limiting Screw. Lower maximum pressure rating was set.</li> <li>• Extension cable of insufficient A.W.G.</li> </ul>	<ul style="list-style-type: none"> <li>• Refer to Operation section for log loading.</li> <li>• Reduce the log size before splitting.</li> <li>• Refer to "Sharpening The Wedge" in the Maintenance section.</li> <li>• Locate leak(s). Contact the dealer.</li> <li>• Contact the dealer.</li> <li>• Change an extension cable of higher A.W.G.</li> </ul>
Log ram jerks, vibrates or does not move.	<ul style="list-style-type: none"> <li>• Unit is not placed on level ground.</li> <li>• Lack of hydraulic oil.</li> <li>• Excessive air in the hydraulic system.</li> <li>• Log splitter is over forced.</li> </ul>	<ul style="list-style-type: none"> <li>• Reposition the log splitter to ensure that the wheel end of the unit is no higher than the other end.</li> <li>• Check oil level for possible oil refiling.</li> <li>• Ensure vent plug is loose during operation.</li> <li>• Turn off and restart the unit.</li> <li>• Contact the dealer.</li> </ul>
Oil leaks from the hydraulic system or from other points.	<ul style="list-style-type: none"> <li>• Air is sealed in hydraulic system while operating.</li> <li>• Vent plug is not tightened before moving the log splitter.</li> <li>• Oil drain bolt is not tight.</li> <li>• Hydraulic fitting(s) and/or seal(s) are worn.</li> </ul>	<ul style="list-style-type: none"> <li>• Loosen vent plug before operating the log splitter.</li> <li>• Tighten the vent plug before moving the log splitter.</li> <li>• Tighten the oil drain bolt.</li> <li>• Contact the dealer.</li> </ul>



## TECHNICAL SPECIFICATIONS

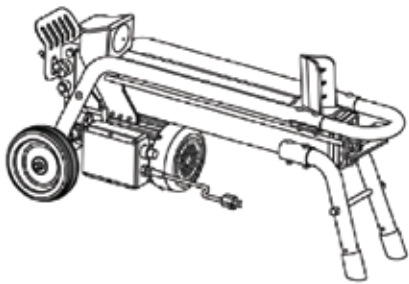
Electrical Requirements	115v, 60hz
Power Output	1500W
Rated Current	13.5A
Motor Speed	3400 RPM
Power Cable	SJTW AWG (2.08mm <sup>2</sup> )

Max Splitting Force*	7 Ton	
Max Splitting Length	20.5 in	
Max Splitting Diameter	10 in	
Hydraulic Pressure	3500 PSI	
Cylinder Bore	2.2 in	
Cycle Time	Feed	9 sec
	Retract	5 sec
Max Cylinder Stroke	17 in	
Oil Capacity	3.8 L	
Machine Dimensions (LxWxH)(in)i	39.5x13.5x20	
Machine Net Weight	117lb	

\*Tonnage and cycle times may vary dependent upon electricity supply, mechanical and environmental conditions.

## PACKING LIST

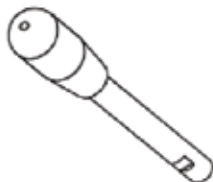
(1) Log Splitter



(1) Owner's Manual



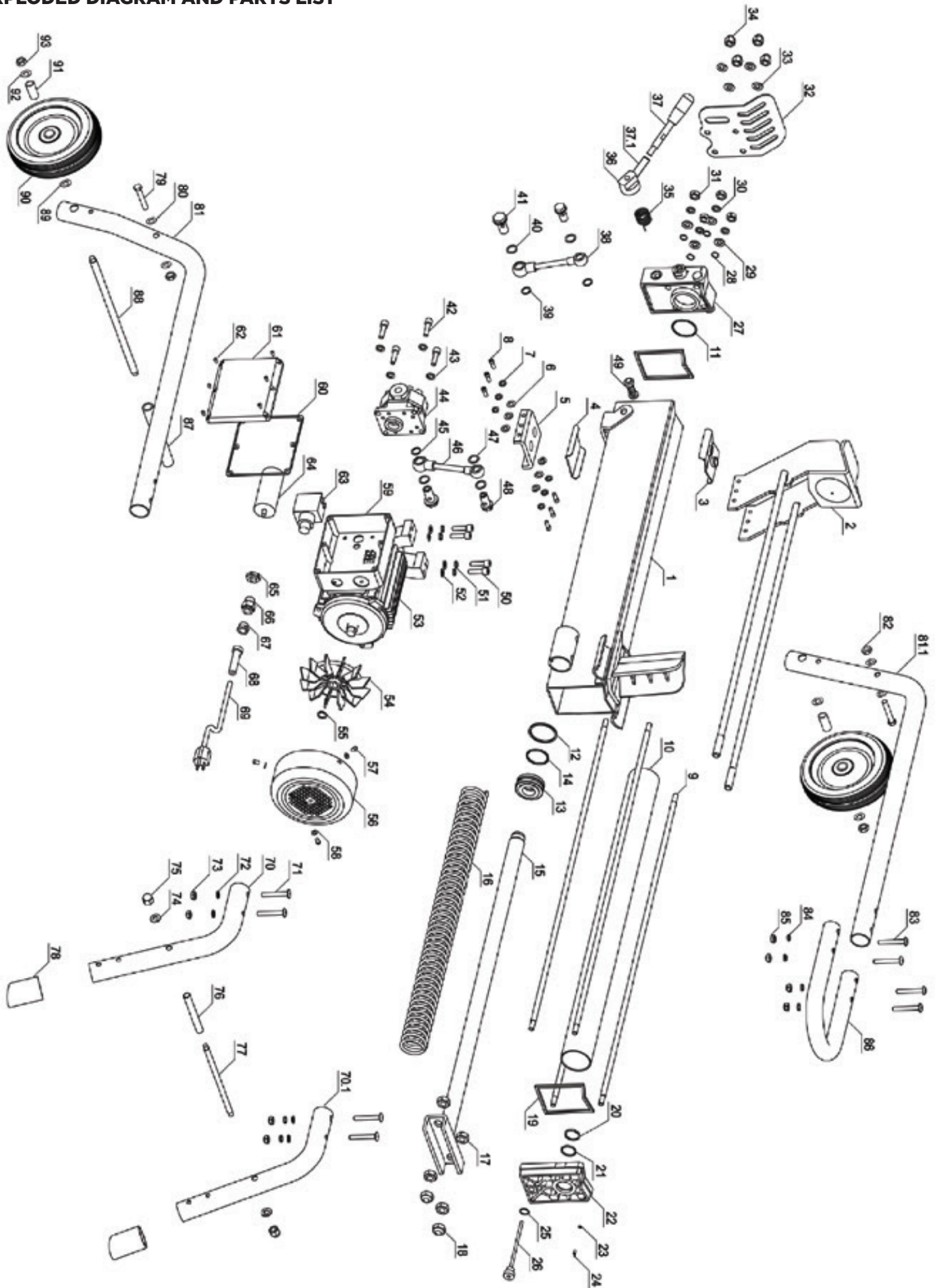
(1) Control handle lever w/ grip



(1) Copper seal washer M14\*1



# EXPLODED DIAGRAM AND PARTS LIST



REF	PART NO.	DESCRIPTIO	SPECIFICATION	QTY
1	3210-325	Machine Body w/ End Wedge	7 Ton	1
2	530-101	Ram Cap & Shaft		1
3	530-475	Upper Nylon Cushion		1
4	530-989	Lower Nylon Cushion		1
5	530-616	Base Plate or Ram		1
6	750-520	Flat Washer	Black Oxide. M10*1.5	6
7	750-355	Spring Washer	Black Oxide. M10*3	6
8	710-432	Inner Hex Bolt	Black Oxide. M10*25	6
9	710-685	Double-Screw Bolt	M10*813	4
10	530-322	Cylinder Tube	Ø55*743*2.5	1
11	730-847	O Seal Ring	Ø55*3.1	1
12	730-446	Seal Cover	Ø55	1
13	530-624	Piston Head	Ø54.5*22	1
14	730-924	O Seal Ring	Ø50*3.5	1
15	530-434	Pistol Shaft w/ Connecting Plate		1
16	530-580	Retracting Spring		1
17	720-156	Nut	Zinc, M14	4
18	720-884	Lock Nut	Zinc. M14	2
19	730-722	Paper Seal Ring		2
20	730-186	O Seal Ring	Ø30*2.65	1
21	730-139	Dirt Proof Ring	Ø30	1
22	540-853	Front Reservoir Cover		1
23	730-094	O Seal Ring	Ø5*1	1
24	540-537	Vent Plug	Zinc, M4*10	1
25	750-158	Cooper Seal Washer	M14*1	1
26	540-333	Oil Dipstick w/ Oil Drain Bolt	Ø5*190 / m14*12*1.5	1
27	520-974	Hydraulic Valve		1
28	730-198	O Seal Ring	Ø14*2.4	4
29	750-532	Flat Washer	Black Oxide, M10*2.5	4
30	750-355	Spring Washer	Black Oside, M10*3	4
31	720-465	Nut	Black Oxide, M10	4
32	350-233	Position Shield		1
33	750-525	Flat Washer	Zinc, M10*15	4
34	720-678	Snap Head Nut	Zinc, M10	4
35	520-596	Torsion Spring		1
36	520-293	Control Handle Bracket		1
37	420-401	Control Handle Lever w/ Grip	Ø12.5*116	1
37.1	520-400	Shorter Lever	Ø12.5*54	1
38	560-587	Oil Tube	Ø14-Ø10*100*2	1
39	730-624	O Seal Ring	Ø18*1.9	2
40	750-158	Copper Seal Washer	M14*1	2
41	710-896	Oil Tube Screw	Black Oxide, M14*30*1.5	2
42	750-895	Inner Hex Head Bolt	Black Oxide, M8*20	4

REF	PART NO.	DESCRIPTIO	SPECIFICATION	QTY
43	750-075	Flat Washer	Black Oxide, M8*2.5	4
44	550-203	Hydraulic Pump		1
45	730-624	O Seal Ring	Ø18*1.9	1
46	560-587	Oil Tube	Ø14-10*100*2	1
47	750-158	Cooper Seal Washer	M14*1	3
48	710-896	Oil Tube Screw	Black Oxide, M14*30*1.5	2
49	540-311	Oil Filter		1
50	710-541	Inner Hex Head Bolt	Black Oxide, M8*30	4
51	750-075	Spring Washer	Black Oxide, M8*2.5	4
52	750-160	Flat Washer	Black Oxide, M8*1	4
53	910-256	Electric Motor 2HP		
54	910-194	Fan		1
55	760-548	Circlip for Shat	Ø16	1
56	910-154	Fan Cover	Ø162	1
57	750-270	Flat Washer	Zinc. M4*1	3
58	740-477	Cross Recess Pan Head Screw	Zinc, M4*10	3
59	920-506	Connecting Box (Bottom)		1
60	920-506	Connecting Box (Rubber Ring)		1
61	920-853	Connecting Box (Cover)		1
62	740-603	Cross Recess Pan Head Screw	Black Oxide, M4*10	6
63	920-943	Power Switch		1
64	920-980	Capacitor	60UF	1
65	930-154	Cable Fastener Nut		1
66	930-807	Cable Fastener		1
67	930-233	Cable Fastener Bolt		1
68	930-511	Cable Bushing		4
69	930-182	Power Cable	STJW 3/C 14A WG, Ø2.08*1600	4
70	320-812	Front Leg (R)		2
70.1	320-811	Front Leg (L)		2
71	740-526	Cross Recess Pan Head Screw	Zinc, M8*55	4
72	750-638	Flat Washer	Zinc M8*1	4
73	720-500	Lock Nut	Zinc, M8	4
74	750-525	Flat Washer	Zinc, M10*1.5	2
75	720-678	Snap Head Nut	Zinc, M10	2
76	320-666	Front Support Bar Bushing	Ø13*1*105	1
77	320-563	Front Support Bar	Ø10*205	1
78	320-825	Bumper		2
79	740-526	Cross Recess Pan Head Screw	Zinc, M8*55	2
80	750-638	Flat Washer	Zinc, M8*1	4
81	320-414	Joint Leg & Log Holder (R)		2
81.1	320-413	Joint Leg & Log Holder(L)		2
82	720-500	Lock Nut	Zinc, M8	2
83	740-526	Cross Recess Pan Head Screw	Zinc, M8*55	4

REF	PART NO.	DESCRIPTIO	SPECIFICATION	QTY
84	750-638	Flat Washer	Zinc, M8*1	4
85	720-500	Lock Nut	Zinc, M8	4
86	320-748	U-Shape Towing Handle		1
87	340-090	Wheel Axle	Ø12.7*335	1
88	340-250	Axle Bushing	Ø16*1*168	1
89	750-146	Flat Washer	Zinc, 1/2*2	2
90	330-214	Wheel	7"*1.8"	2
91	340-132	Bearing Spacer	Ø16*1.2*36.8	2
92	750-525	Flat Washer	Zinc, M10*1.5	2
93	720-120	Lock Nut	Zinc, M10	2





**BRABEREQ.COM**  
WGSALLES@BRABEREQ.COM

**PHONE: 604-850-7770**  
**FAX: 604-850-7774**  
**TOLL FREE PHONE: 1-877-588-3311**  
**TOLL FREE FAX: 1-800-665-7334**