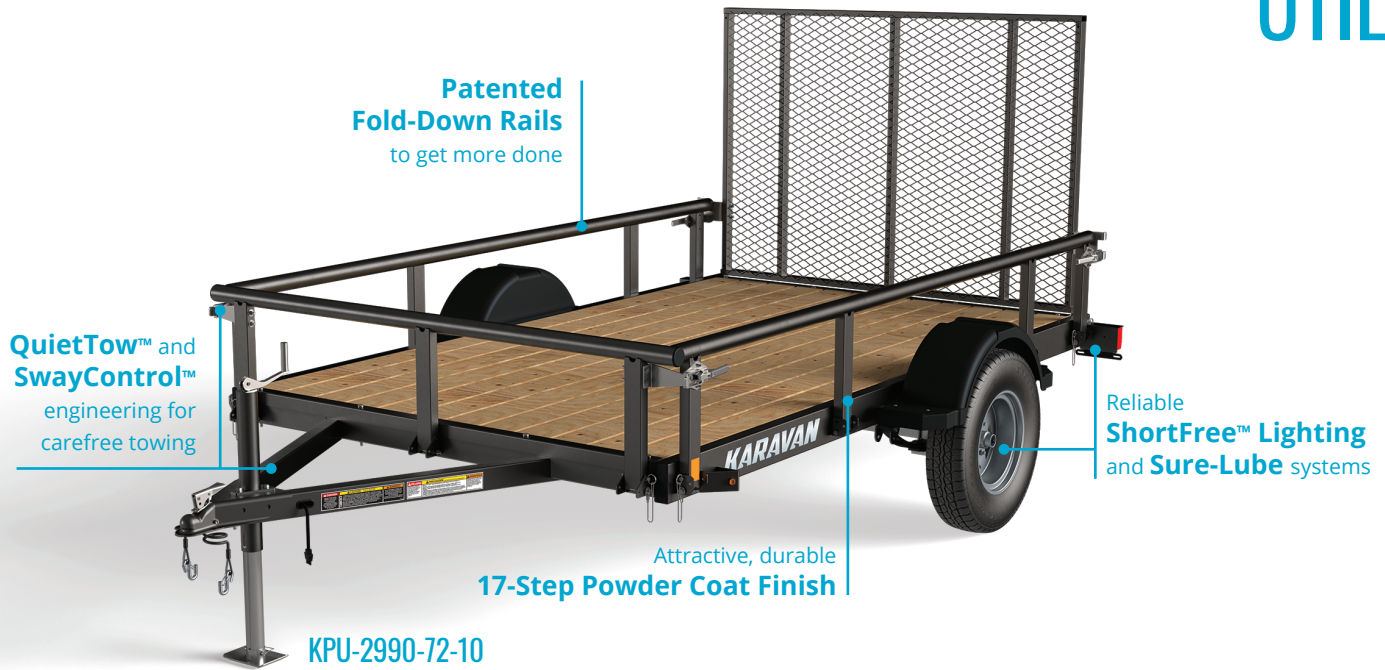
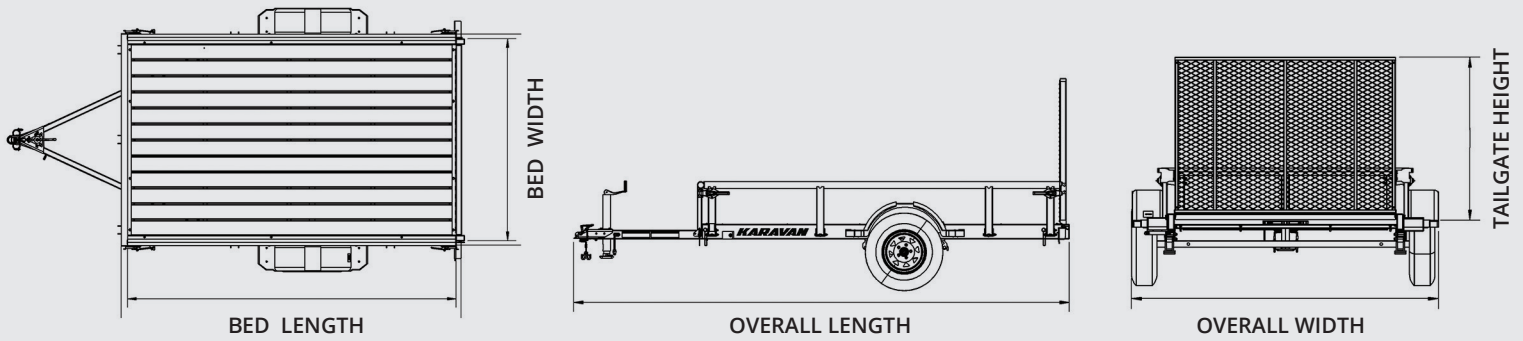


# KARAVAN

## UTILITY



# Utility Trailer Dimensions



SPECS		Overall Length	Overall Width	Bed Length	Bed Width	Tailgate Height	Trailer Weight	GVWR	Carrying Capacity	Tire Size	Hitch Ball Size
STEEL FOLD-DOWN RAILS	KPU-2000-60-8	143"	76"	96"	60"	44"	517 lb	2000 lb	1483 lb	4.80 X 12C	2"
	KPU-2990-60-10	168"	82"	120"	60"	49"	753 lb	2990 lb	2237 lb	ST215/75D14C	2"
	KPU-2990-72-10	168"	96"	120"	74"	49"	935 lb	2990 lb	2055 lb	ST215/75D14C	2"
	KPU-2990-72-12	192"	96"	144"	74"	49"	967 lb	2990 lb	2023 lb	ST215/75D14C	2"
STEEL STEEL-PLANK FLOOR	KUS-2990-72-10	185"	96"	135"	75"	30"	805 lb	2990 lb	2185 lb	ST215/75D14C	2"
	KUS-2990-72-12	208"	96"	156"	75"	30"	890 lb	2990 lb	2100 lb	ST215/75D14C	2"
	KUS-2990-78-14	229"	100"	183"	78"	30"	905 lb	2990 lb	2085 lb	ST225/75D15C	2"
ALUMINUM	SCU-2200-56	130"	78"	96"	56"	40"	368 lb	2090 lb	1722 lb	ST175/80D13B	2"
	MFF-2200-56	133"	77"	96"	56"	40"	414 lb	2090 lb	1676 lb	5.30 x 12C	2"
	SCU-2990-72-10	168"	95"	120"	72"	45"	568 lb	2990 lb	2422 lb	ST205/75D14C	2"
	SCU-2990-72-12	192"	95"	144"	72"	45"	653 lb	2990 lb	2337 lb	ST205/75D14C	2"

## FEATURES

### SwayControl™ Engineering

Welded tubular frame and A-frame tongue

### Durable and Attractive High Quality Finish

17-step powder coating; galvanized available on some models

### Patented Fold-Down Rails

Makes side loading cargo easy

### Patented Aluminum Modular Design

AL models are attractive, low profile, and easy to move

### QuietTow™ Componentry

Tensioner latches and nylon bushings eliminate rattle and squeak

### High Reliability ShortFree™ Lighting System

Fully grounded and all plug (no ScotchLoks); wiring is concealed

### Sure-Lube Wheel Bearing Grease System

Allows quick and clean greasing for easy maintenance

### Coated Self-Coiling Safety Cables

Cables coil out of the way when not in use

# KARAVAN

PO Box 27 Fox Lake, WI 53933 fx 920.928.6201  
www.karavantrailers.com