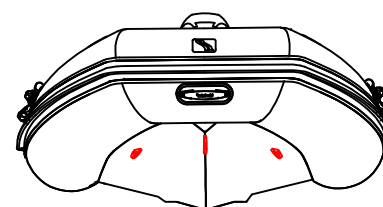
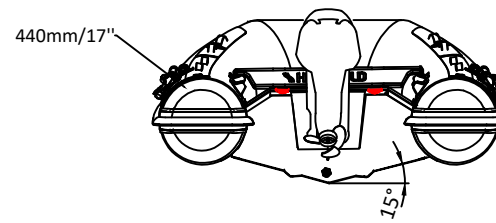
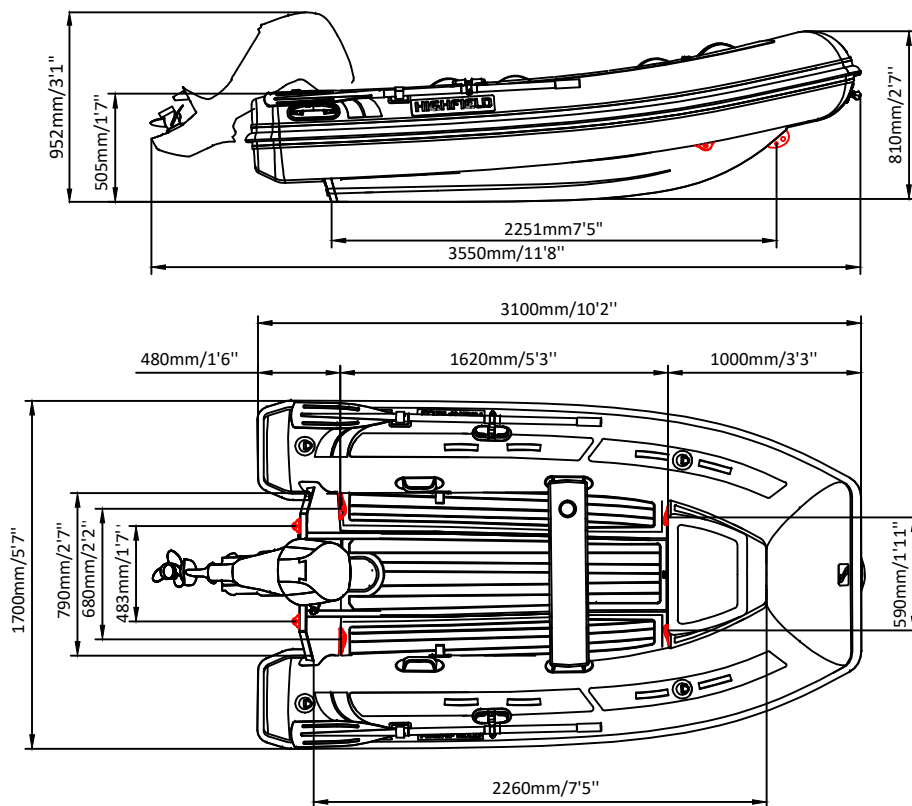


CLASSIC 310 LS

(Long Shaft)

SPECIFICATIONS



SPECIFICATIONS AND MAXIMUM CAPACITIES (Subject to change without notice. Tolerances: dimensions ±2.5%, weights ±5%)

MODEL	ISO 6185 PART	ISO 6185	Passengers		#	Weight		Shaft	Outboard Engine				Fuel tank Capacity				Wet Weight (Approximate) 20HP (14.92KW)		AIR CHAMBERS	Pressure										
			KG	LB		KG	LB		Max power	Max weight	KG	LB	KG	LB	KG	LB	L	GAL		KG	LB	PSI	BAR							
									KW	HP	KG	LB																		
CL310LS	2	C	400	880	5	375	827	L	14.92	20	63	139	62	137	/	/	/	/	/	/	/	/	/	/	/	128	282	3	3.63	0.25

Weight: boat only.