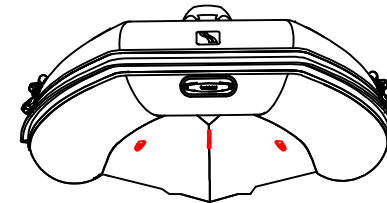
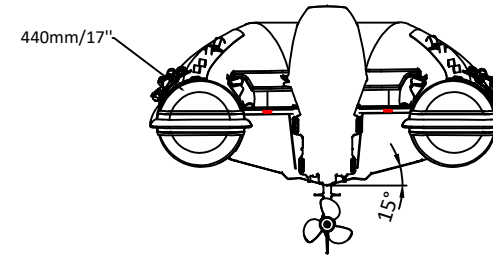
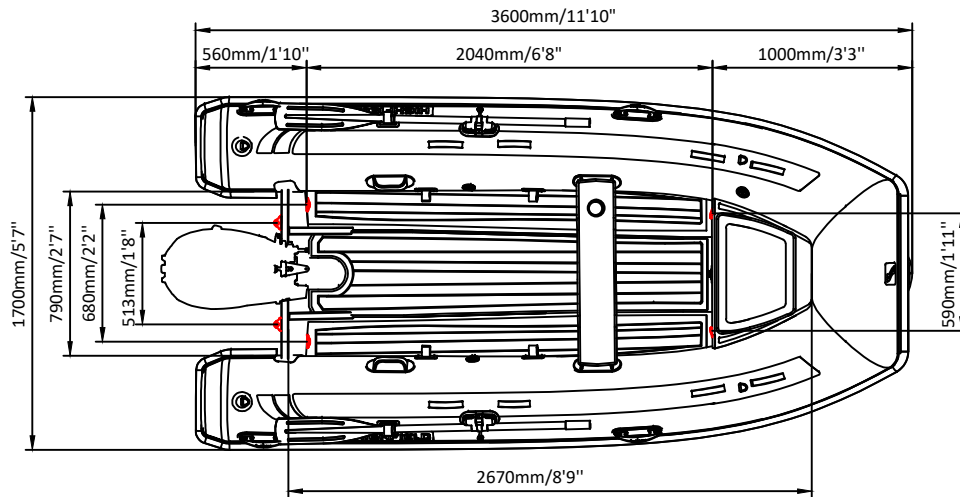
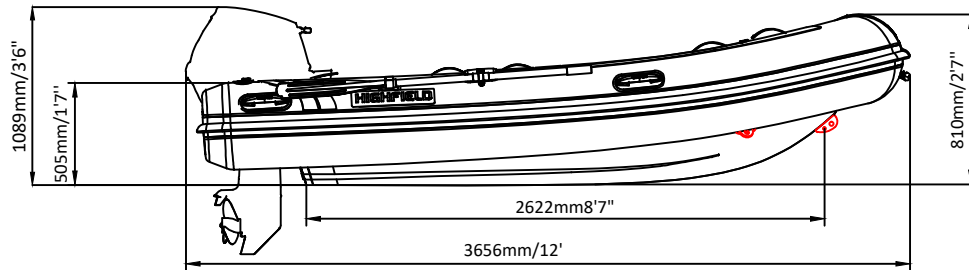


CLASSIC 360

(Short Shaft)

SPECIFICATIONS



SPECIFICATIONS AND MAXIMUM CAPACITIES (Subject to change without notice. Tolerances: dimensions ±2.5%, weights ±5%)

MODEL	ISO 6185 PART	ISO 6185	Passengers		#	Weight		Shaft	Outboard Engine				Fuel tank Capacity				Wet Weight (Approximate) 30HP (22.38KW)		AIR CHAMBERS	Pressure									
			KG	LB		KG	LB		Max power	Max weight	KG	LB	L	GAL	KG	LB	PSI	BAR											
						KW	HP		KG	LB																			
CL360	3	C	480	1056	6	450	992	S	22.38	30	106	233	75	165	/	/	/	/	/	/	/	/	/	/	181	398	3	3.63	0.25

Weight: boat only.