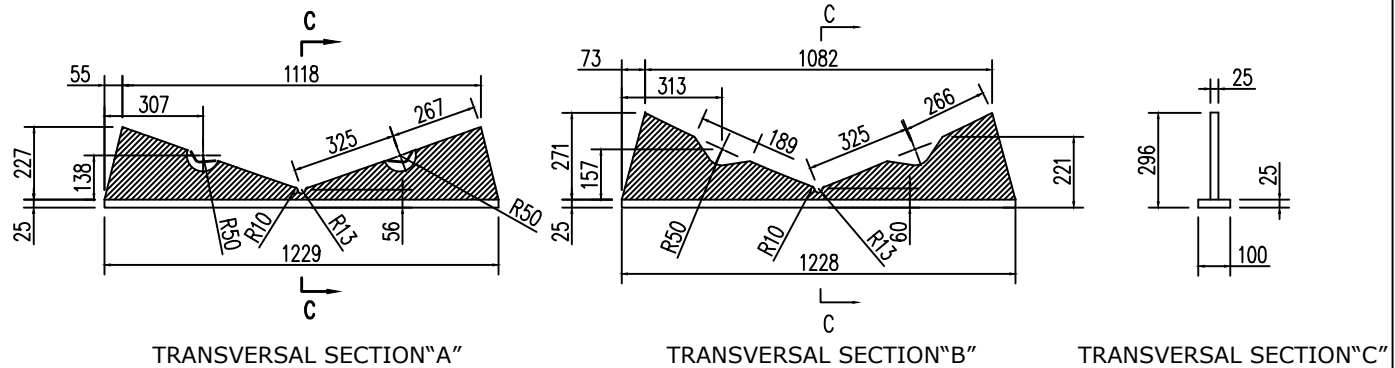



LONGITUDINAL PROFILE



TRANSVERSAL SECTION "A"

TRANSVERSAL SECTION "B"

TRANSVERSAL SECTION "C"

	CL 400 CHOCK		DWN: 王鹏
			APPROVED: 韩春英
info@highfieldboats.com	DWG:	SCALE:	DATE: 2024.10.29

(C) Copyright reserved. No unauthorized use allowed.
All intellect - ideas - concepts remain the property of Highfield Boats