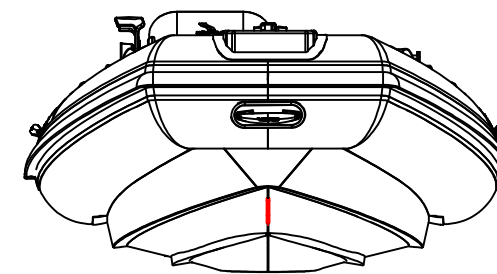
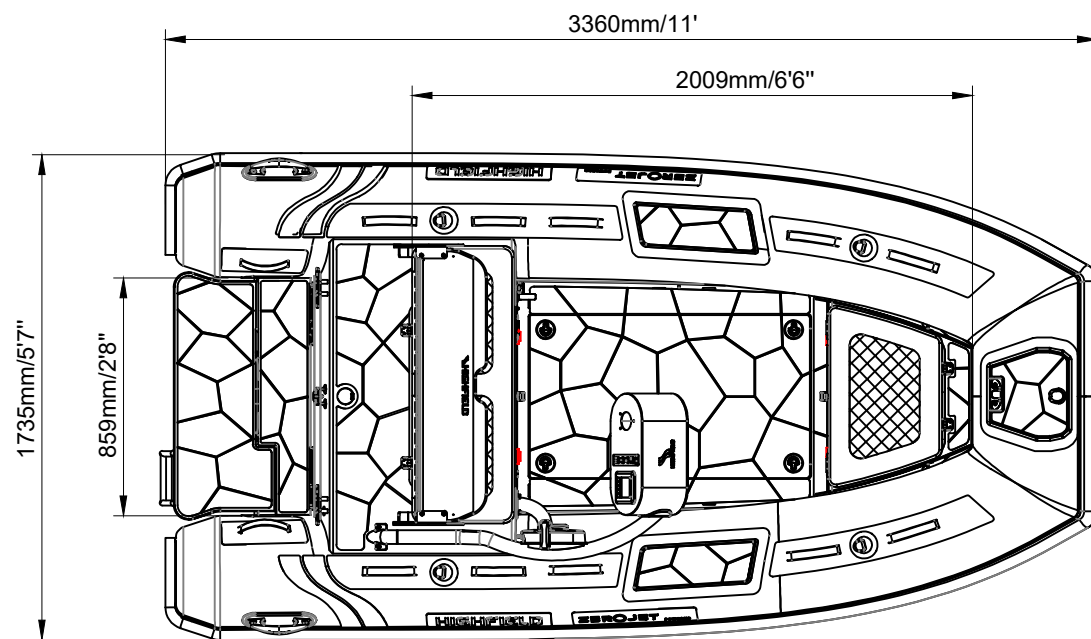
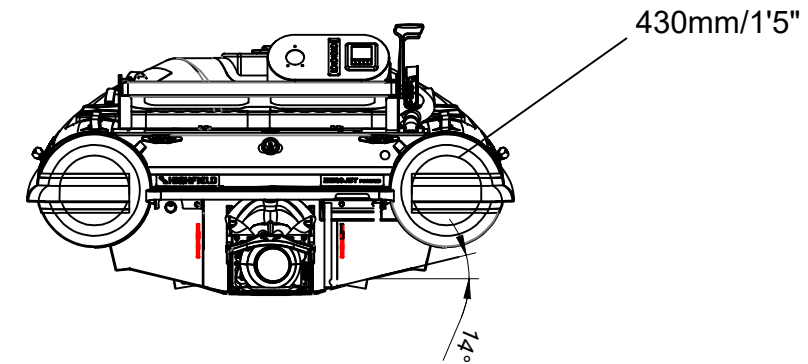
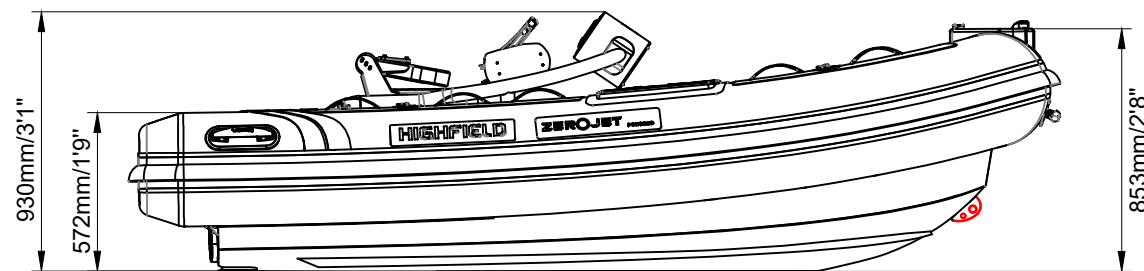


E-JET330

SPECIFICATIONS



SPECIFICATIONS AND MAXIMUM CAPACITIES (Subject to change without notice. Tolerances: dimensions ±2.5%, weights ±5%) Note: red means lifting eyes.

MODEL	ISO 6185 PART	ISO 6185					Wet Weight (Approximate)						/		/		/		AIR CHAMBERS				
			KG	LB	#	KG	LB	Shaft	power		weight		KG	LB	KG	LB	KG	LB		PSI	BAR		
									KW	HP	KG	LB											
E-JET330	3	C	320	705	4	300	661	/	18	24	334	736	179	395	/	/	/	/	/	/	3	3.63	0.25

Boat weight includes: console