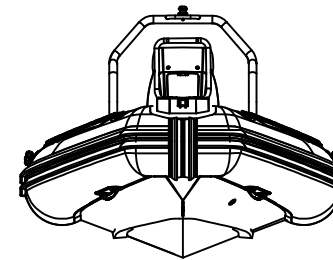
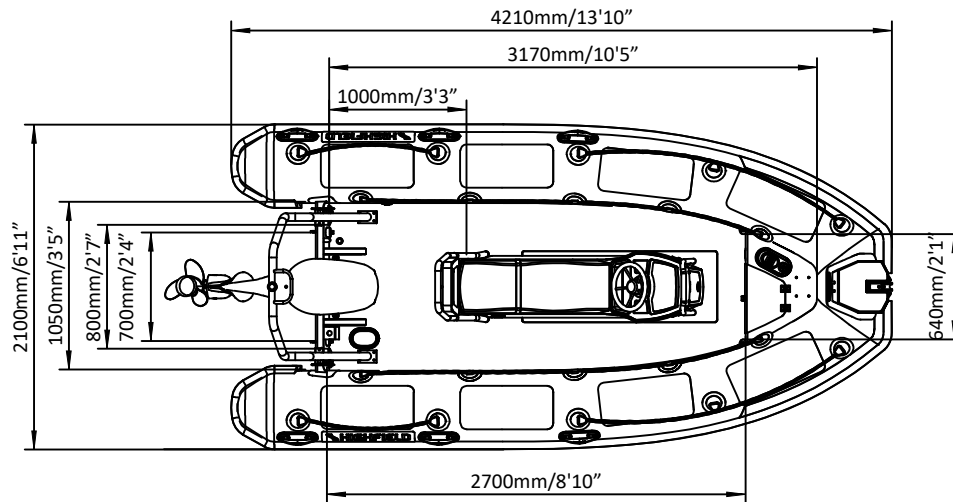
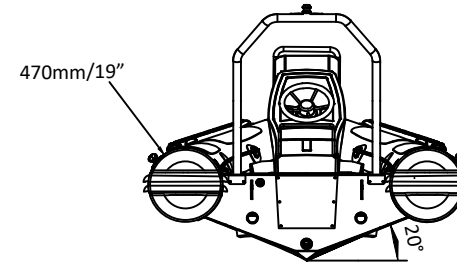
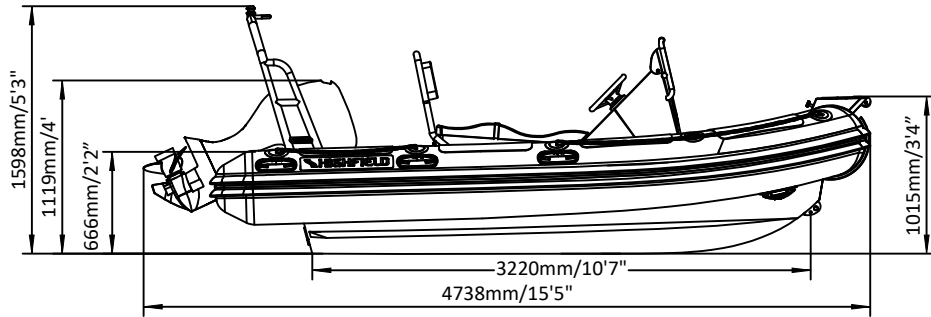


PATROL 420BS

SPECIFICATIONS



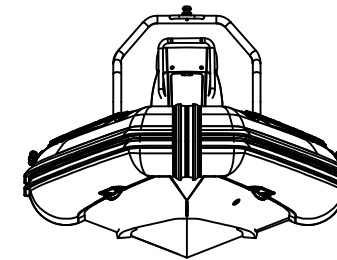
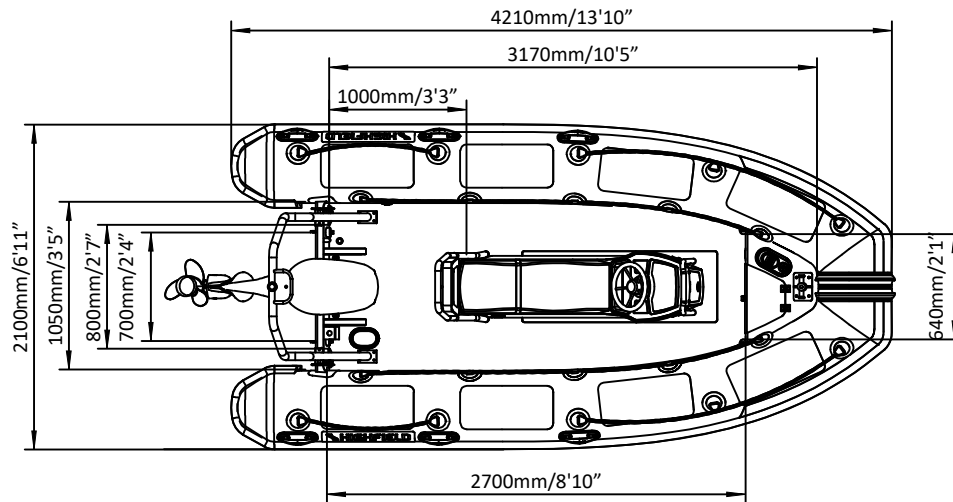
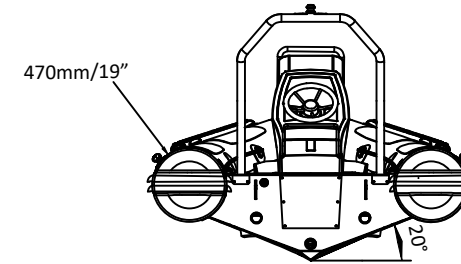
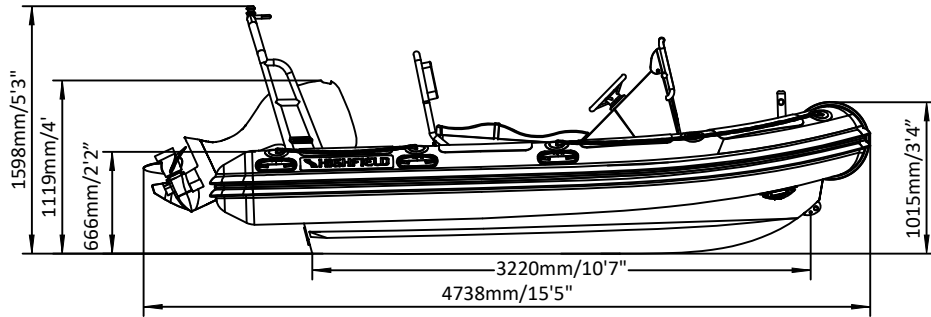
SPECIFICATIONS AND MAXIMUM CAPACITIES (Subject to change without notice. Tolerances: dimensions ±2.5%, weights ±5%)

MODEL	ISO 6185 PART	ISO 6185	Crew		#	Weight		Shaft	Outboard Engine		Sundeck		Tow post		Rollbar		Fuel tank Capacity		Wet Weight (Approximate) 60HP (44.76KW) +Fuel		AIR CHAMBERS	Stability					
			KG	LB		KG	LB		KG	LB	KG	LB	KG	LB	KG	LB	KG	LB	KG	LB		PSI	BAR				
			Max power	Max weight		KG	LB		KG	LB	KG	LB	KG	LB	L	GAL	KG	LB	KG	LB		PSI	BAR				
PA420BS	3	C	885	1951	8	600	1323	L	44.76	60	125	276	252	556	/	/	19	41.88	11	25	55	14.5	417	919	4	3.63	0.25

Boat weight includes: JC1200 console

PATROL 420NBS

SPECIFICATIONS



SPECIFICATIONS AND MAXIMUM CAPACITIES (Subject to change without notice. Tolerances: dimensions ±2.5%, weights ±5%)

MODEL	ISO 6185 PART	ISO 6185	Crew		#	Weight		Shaft	Outboard Engine				Sundeck		Tow post		Rollbar		Fuel tank Capacity		Wet Weight (Approximate) 60HP (44.76KW) +Fuel		AIR CHAMBERS	Pressure			
			KG	LB		KG	LB		KG	LB	KG	LB	KG	LB	L	GAL	KG	LB	PSI	BAR							
PA420NBS	3	C	885	1951	8	600	1323	L	44.76	60	125	276	252	556	/	/	19	41.88	11	25	55	14.5	417	919	4	3.63	0.25

Boat weight includes: JC1200 console