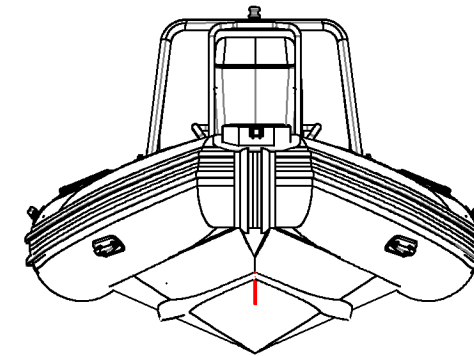
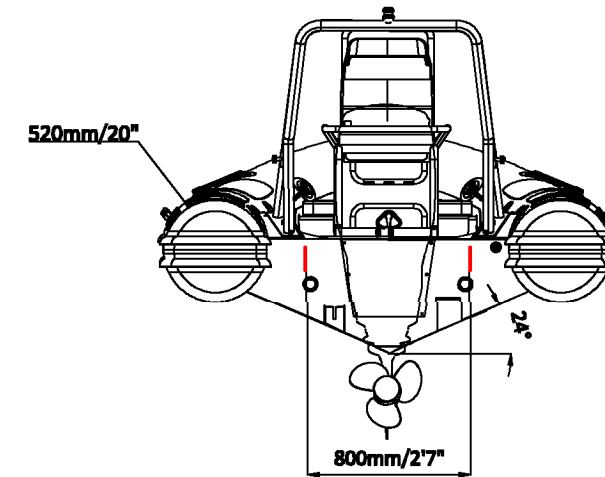
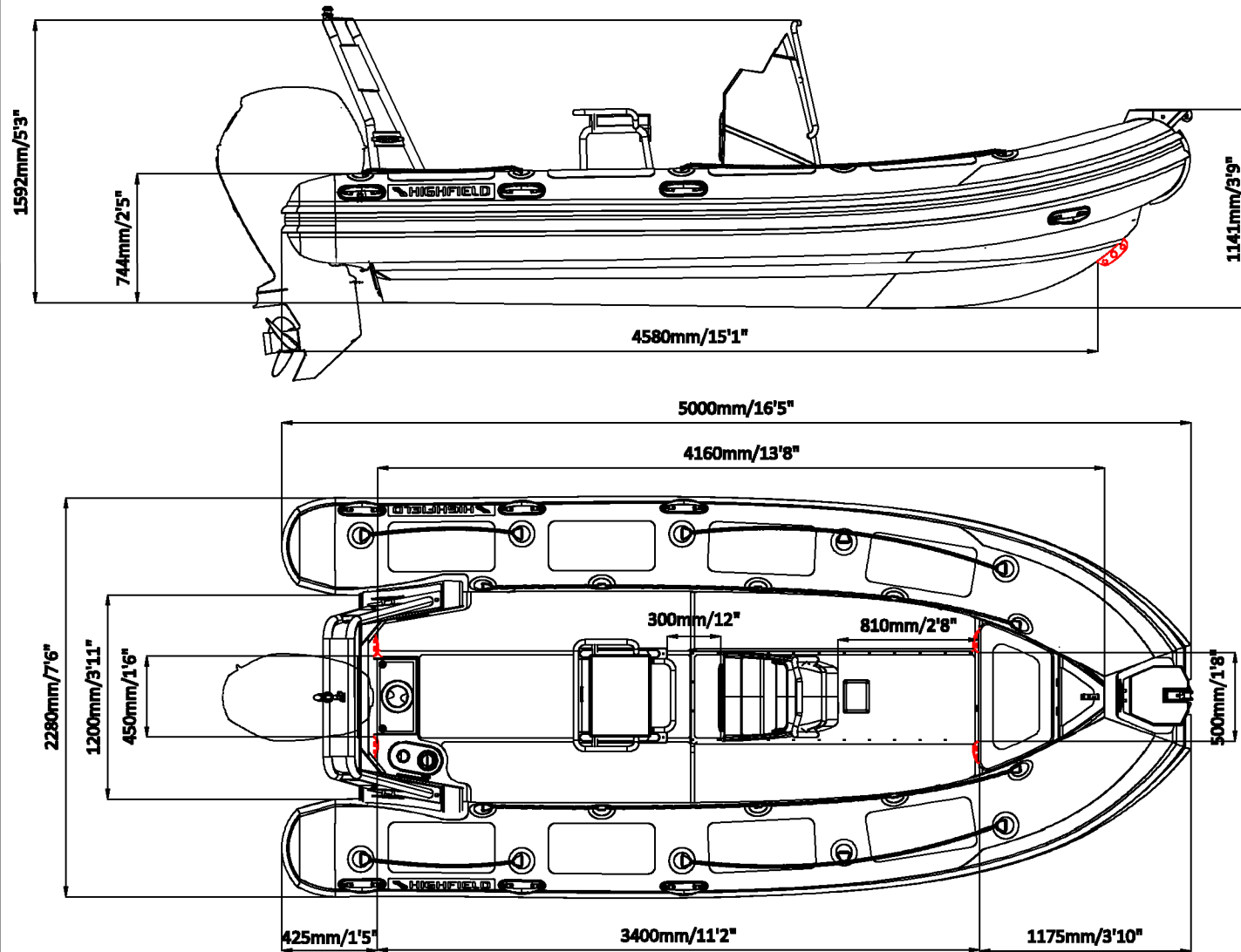


PATROL 500

SPECIFICATIONS



SPECIFICATIONS AND MAXIMUM CAPACITIES (Subject to change without notice. Tolerances: dimensions ±2.5%, weights ±5%)

MODEL	ISO 6185 PART	ISO 6185	Passengers		#	Weight		Shaft	Outboard Engine		Sundeck		Rollbar		Tow post		Fuel tank Capacity		Wet Weight (Approximate) 100HP (74.6KW) +Fuel		AIR CHAMBERS	Pressure					
			KG	LB		KG	LB		KW	HP	KG	LB	KG	LB	KG	LB	KG	LB	L	GAL		KG	LB	PSI	BAR		
PA500 SB	3	C	800	1760	10	750	1653	XL	74.60	100	192	422	441	972	/	/	14	31.3	/	/	90	23.8	648	1426	6	3.63	0.25

Boat weight includes: console, seat

2025V1