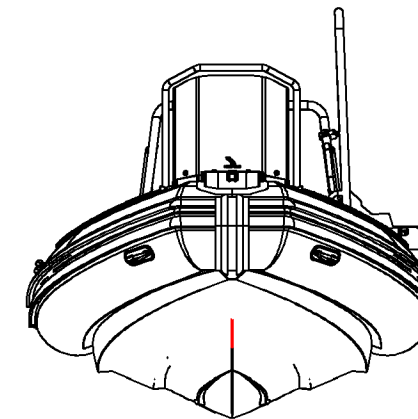
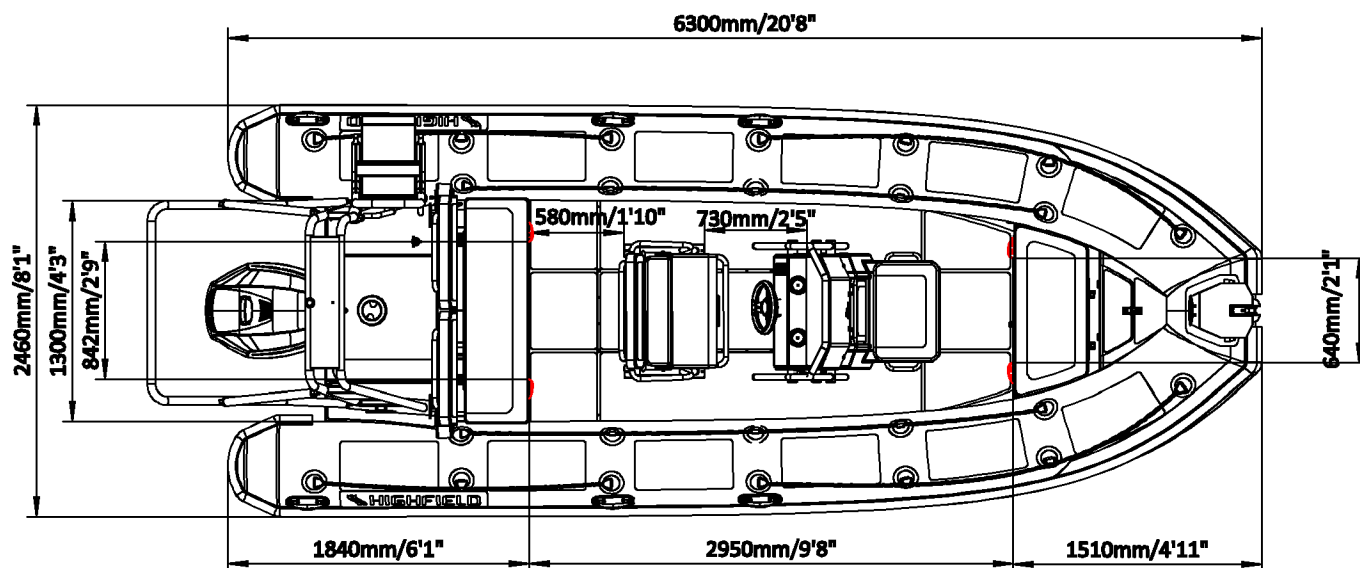
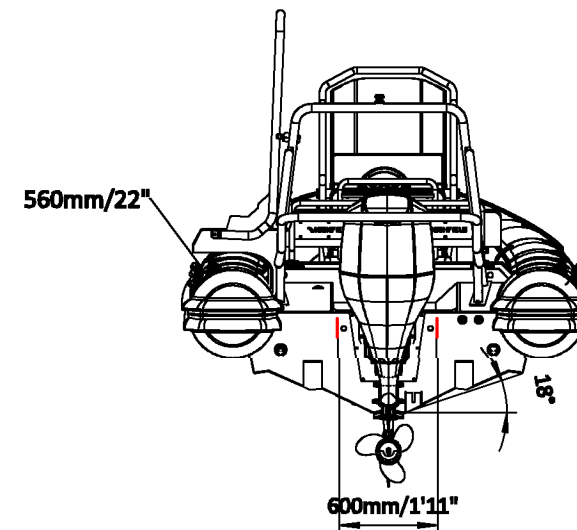
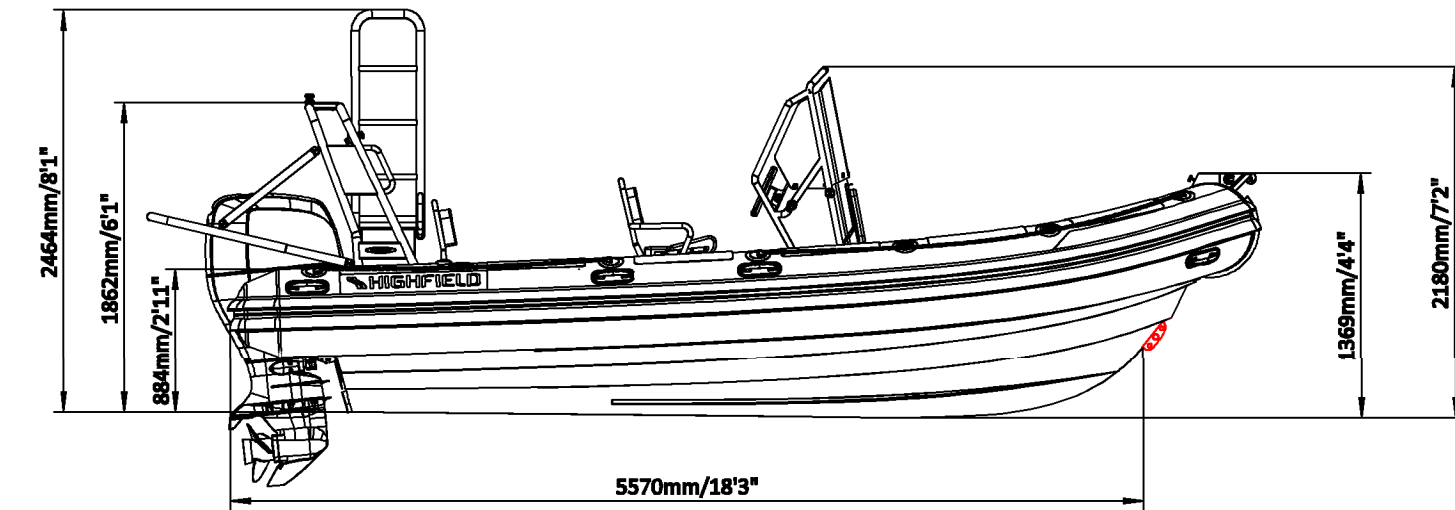


PATROL 600

SPECIFICATIONS



SPECIFICATIONS AND MAXIMUM CAPACITIES (Subject to change without notice. Tolerances: dimensions ±2.5%, weights ±5%)

| MODEL | ISO 6185 PART | ISO 6185 | Passengers | | Crew | | Outboard Engine | Shaft | Engine Performance | | | | Rollbar | | Tow post | | Fuel tank Capacity | | Wet Weight (Approximate) 150HP (111.9KW) +Fuel | | AIR CHAMBERS | Pressure | | | | | |
|----------|---------------|----------|------------|------|------|------|-----------------|-------|--------------------|-----------|-----|------------|---------|------|----------|----|--------------------|----|--|---|--------------|----------|--------|------|-----|------|------|
| | | | KG | LB | # | KG | | | LB | Max power | | Max weight | | KG | LB | KG | LB | KG | LB | L | | GAL | KG | LB | PSI | BAR | |
| | | | | | | | | | | KW | HP | KG | LB | | | | | | | | | | | | | | |
| PA600 SB | 3 | C | 1120 | 2464 | 14 | 1050 | 2315 | XL | 111.9 | 150 | 240 | 528 | 734 | 1615 | / | / | 45 | 99 | / | / | 140 | 37 | 1075.5 | 2366 | 6 | 3.63 | 0.25 |

Boat weight includes: console, seat