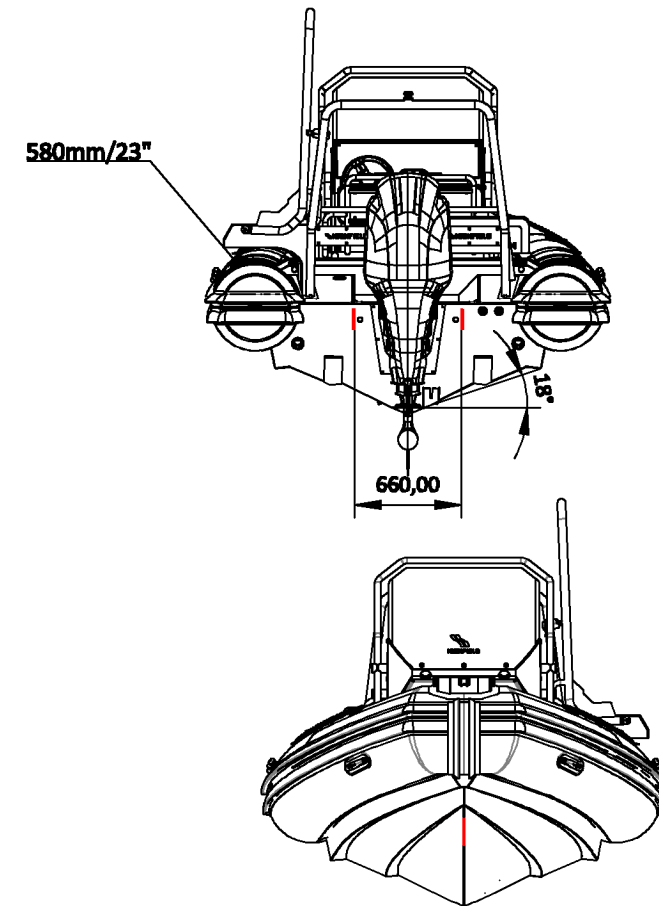
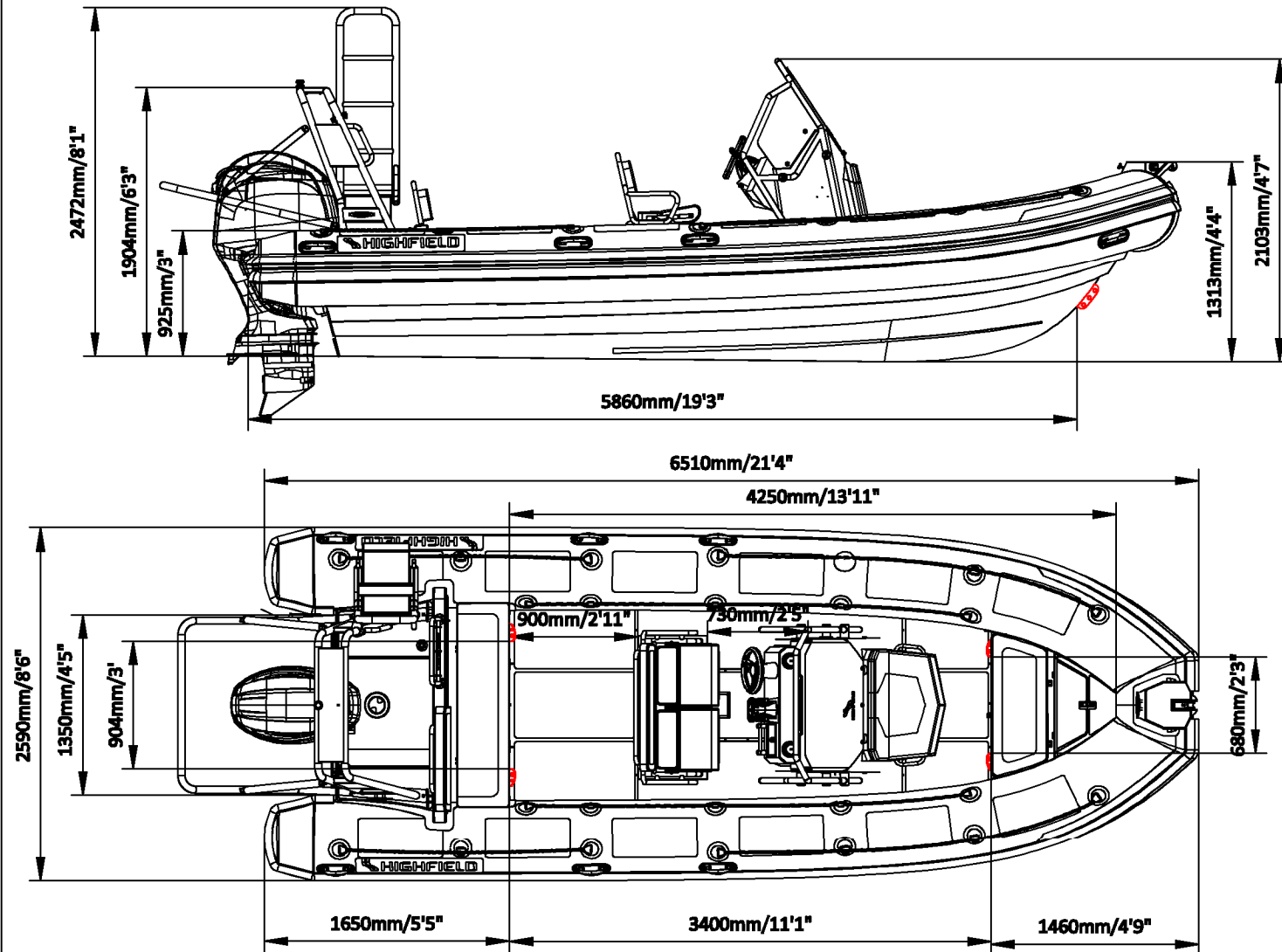


PATROL 660

SPECIFICATIONS



SPECIFICATIONS AND MAXIMUM CAPACITIES (Subject to change without notice. Tolerances: dimensions ±2.5%, weights ±5%)

MODEL	ISO 6185 PART	ISO 6185	Passenger		Crew		Outboard Engine	Shower kit	Rollbar	Tow post	Fuel tank Capacity	Wet Weight (Approximate) 200HP (149.2KW) +Fuel		AIR CHAMBERS	Inflator												
			KG	LB	#	KG						LB	KG		LB	KG	LB	KG	LB	PSI	BAR						
			Max power	Max weight	KG	LB						KG	LB		KG	LB	L	GAL	KG	LB	PSI	BAR					
PA660 SB	3	C	1040	2288	13	975	2150	XL	149.2	200	289	636	740	1631	/	/	45	99	/	/	140	37	1130	2287	6	3.63	0.25

Boat weight includes: console, seat

2025V1