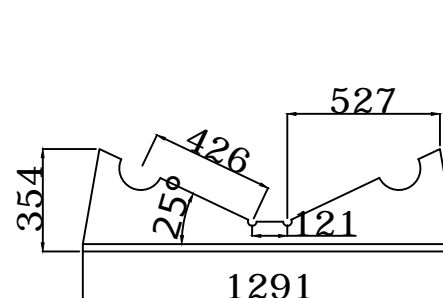
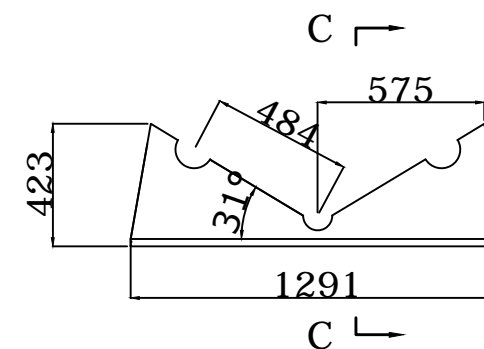


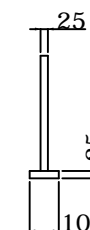
LONGITUDINAL PROFILE



TRANSVERSAL SECTION "A"



TRANSVERSAL SECTION "B"



TRANSVERSAL SECTION "C"

	SP 520 CHOCK		DWN: HCY
			APPROVED: LXL
info@highfieldboats.com	DWG:	SCALE:	DATE: 2021.07.09

(C) Copyright reserved. No unauthorized use allowed.
 All intellect - ideas - concepts remain the property of Highfield Boats