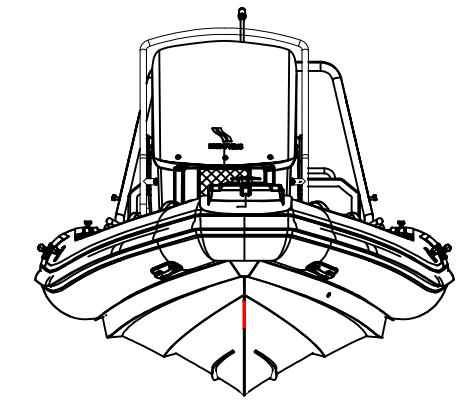
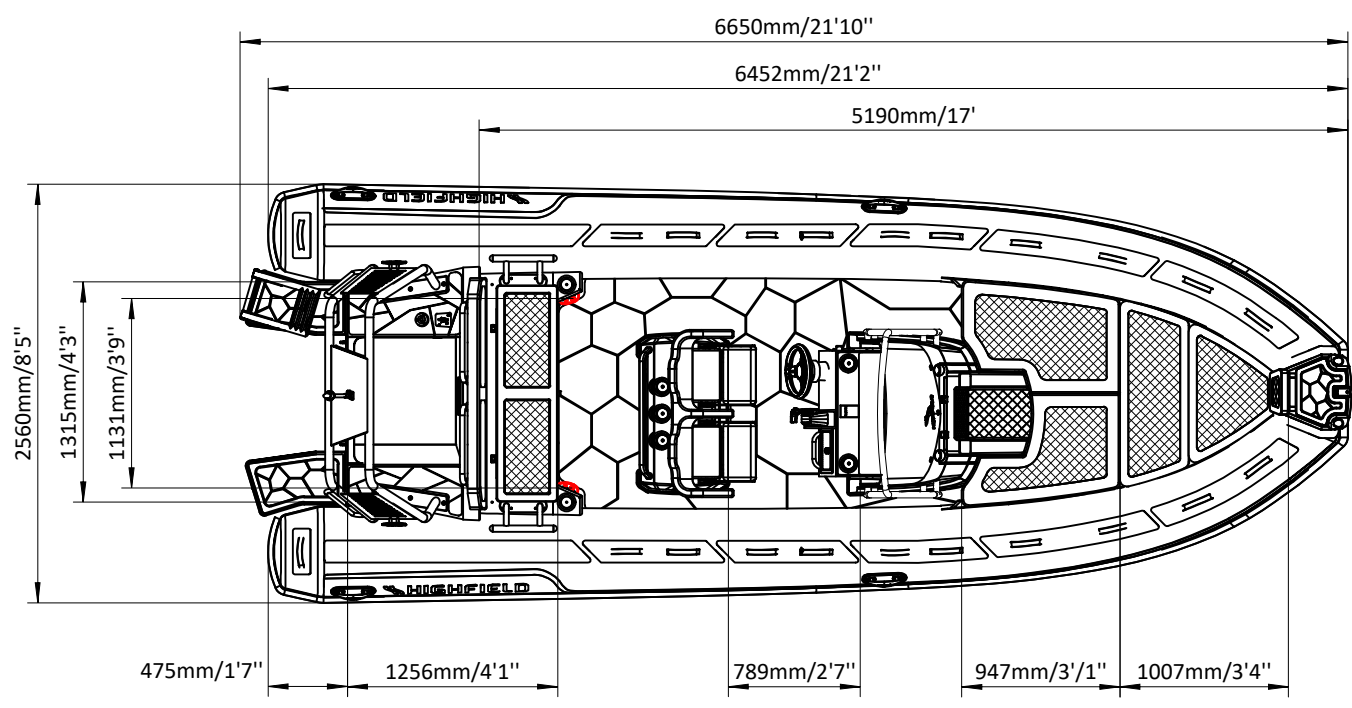
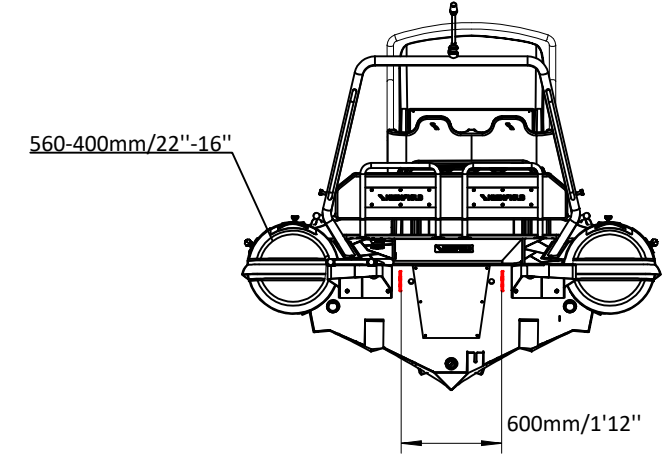
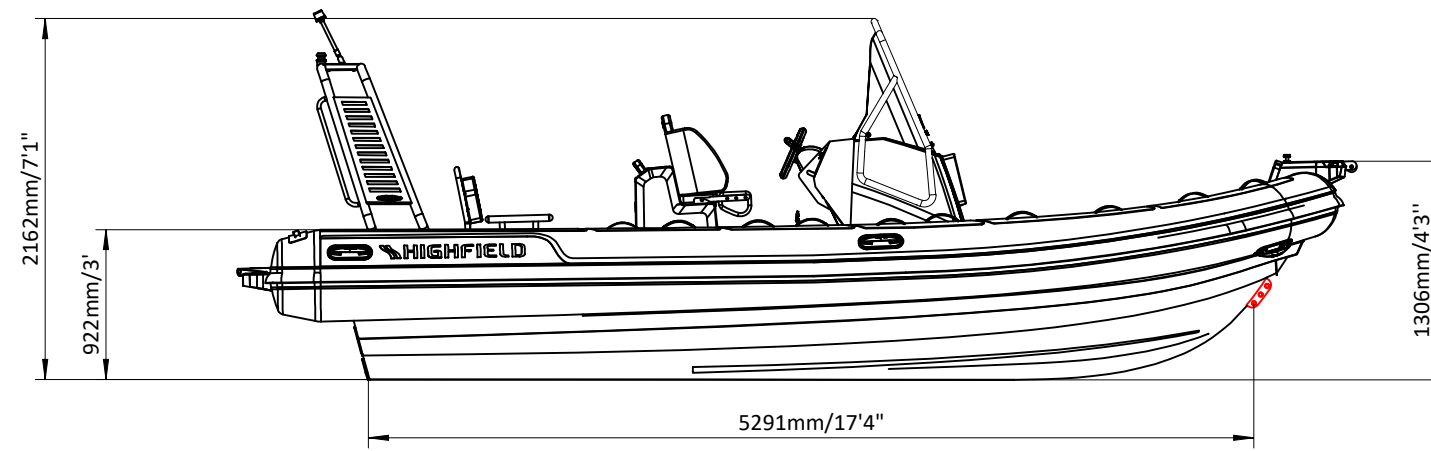


SPORT 660 EPA

SPECIFICATIONS



SPECIFICATIONS AND MAXIMUM CAPACITIES (Subject to change without notice. Tolerances: dimensions ±2.5%, weights ±5%)

MODEL	ISO 6185 PART	ISO 6185	Passengers		#	Weight		Shaft	Outboard Engine		Shower kit		Rollbar		/		Fuel tank Capacity		Wet Weight (Approximate) 200HP (149.2KW) +Fuel		AIR CHAMBERS	Pressure					
			KG	LB		KG	LB		KG	LB	KG	LB	KG	LB	KG	LB	L	GAL	KG	LB		PSI	BAR				
			KG	LB		KW	HP		KG	LB	KG	LB	KG	LB	KG	LB	L	GAL	KG	LB		PSI	BAR				
SP660	3	C	1630	3594	14	1050	2315	XL	149.2	200	300	661	780	1720	14.4	31.7	23	50.7	/	/	126	33.2	1181.5	2605	6	3.63	0.25

Boat weight includes: console, seat, sundeck, platform