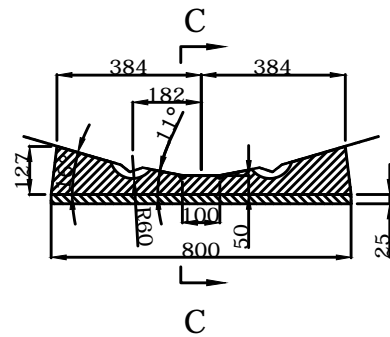
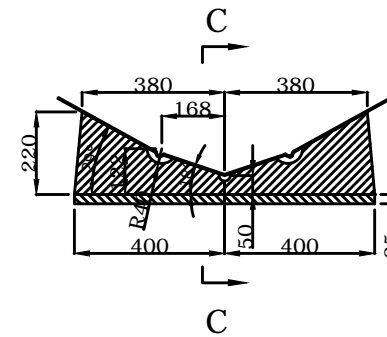


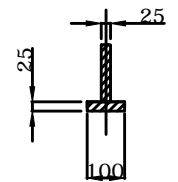
LONGITUDINAL PROFILE




TRANSVERSAL SECTION "A"



TRANSVERSAL SECTION "B"



TRANSVERSAL SECTION "C"

	UL260 CHOCK		DWN: TYJ
	info@highfieldboats.com	DWG:	SCALE:
			APPROVED: LXL
			DATE: 2019-09-17

(C) Copyright reserved. No unauthorized use allowed.  
All intellect - ideas - concepts remain the property of Highfield Boats