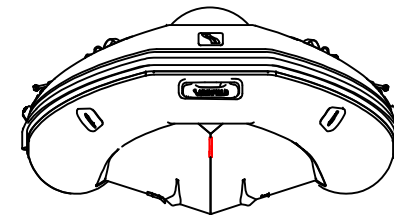
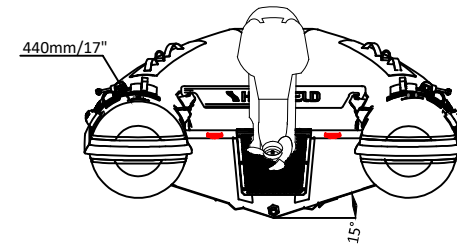
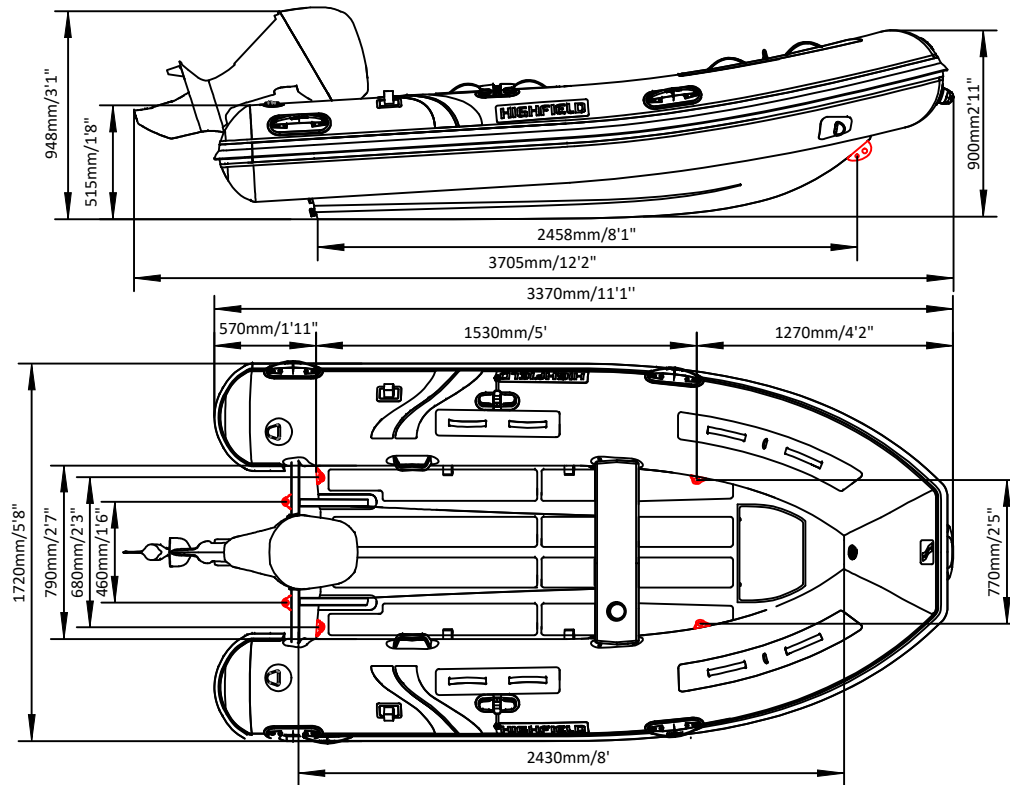


ULTRALITE 340

SPECIFICATIONS



SPECIFICATIONS AND MAXIMUM CAPACITIES (Subject to change without notice.Tolerances:Dimensions ±2.5% Weight ±5%)

MODEL	ISO 6185 PART	ISO 6185	Passengers		Weight		Outboard Engine	Shaft	Max power				Max weight				Fuel tank Capacity		Wet Weight (Approximate) 20HP (14.92KW) +Fuel		AIR CHAMBERS	Pressure									
			KG	LB	#	KG			LB	KW		HP		KG	LB	KG	LB	KG	LB	L		GAL	KG	LB	PSI	BAR					
UL340	2	C	438	966	5+1	413	909	S	14.92	20	63	139	53	117	/	/	/	/	/	/	/	/	/	/	/	/	116	256	3	3.63	0.25

Weight: boat only.