



ELECTRIC
PROPULSION

MERCURY AVATOR™





MERCURY
75hp

LET YOUR JOURNEY BEGIN WITH AVATOR

Whether you're new to boating or looking for a new way to connect with the water, Mercury Avator™ electric outboards are designed with easy-to-use systems so anyone can take the helm with confidence. Bring along the power that you need with modular or swappable batteries and easily monitor your estimated range from Avator connected technologies.

Avator is intelligent, all-electric propulsion, designed to make exploring effortless.





OUR NEXT STEP FORWARD IN MARINE INNOVATION

Innovation is our legacy. Sustainability is our commitment. Across all our product lines, we're working to redefine marine propulsion in ways that leave a positive impact on the environment. Electrification is one more step in our journey.



Zero Direct Emissions

Avator propulsion systems make boating possible with no exhaust fumes and zero direct emissions.



Managing Our Impact

Each Avator outboard is crafted with many components that are recyclable or reusable.



Connect with Nature

Advanced electric systems reduce noise and vibration, letting you fully immerse in the natural world around you.

AVATOR MAKES EXPLORING EFFORTLESS

Easy Storage and Maintenance

With no fuel, no fumes and minimal maintenance, an Avator outboard is simple to own so you can spend more of your time on the water.

SmartCraft Connect

A Mercury SmartCraft® Connect module allows you to wirelessly connect the outboard to the Mercury Marine mobile app. Available for 7.5e models and pre-installed on 20e-110e models.

Mercury Marine App

Use the app to access performance data, visualized range estimates on a GPS map, a tool for connecting with your dealer and much more.

ADVANCED DIGITAL DISPLAYS

Monitor and control your Avator propulsion system from a vivid full-color display, optimized for readability in all light conditions. Your display shares speed, battery level, time and distance to “empty,” power output, and alerts. Everything you need to know to get the most from any journey.



Integrated Outboard Display for Tiller Models



Pedestal-Style Console Display (shown)

Also Available in Flush-Mount Console Display

06
MERCURY AVATOR



INTUITIVE DIGITAL CONTROLS

Choose from tiller steering or advanced digital remote controls for compatibility with a wide range of vessels.

Integrated Safety Features

- Motor Cutoff Safety Lanyard (*all models*)
- Key Switch (*remote controls only*)
- Neutral Lock (*remote controls only*)

Advanced Tiller

The adjustable, ambidextrous tiller lets anyone take the helm with confidence.

- Folds into a convenient carrying handle (7.5-35e)
- Reversible “Forward-Reverse” twist grip (7.5-35e)
- Easy-to-reach shift lever (75e)
- Power tilt switch (75e)



REMOTE THROTTLE CONTROLS

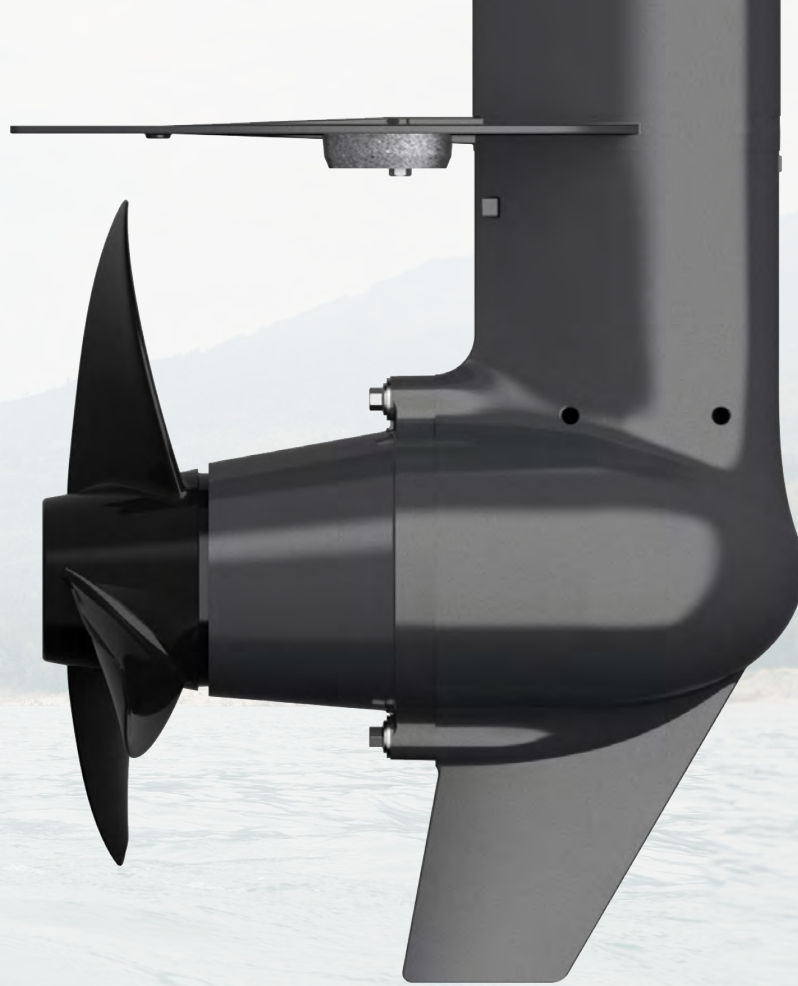


Three options ensure you'll have control within easy reach.

- Console Mount – Top
For center-console mounting

- Panel Mount – Traditional
For side-console mounting

- Panel Mount – Reversed
For side-mounting on a center-console helm



CLEAN, QUIET POWER

Industry-first transverse flux motor technology delivers reliable, quiet performance to get you where you're going. The motor generates high torque with little effort, maximizing battery life and range.

DEPENDABLE, SALTWATER-SAFE DRIVES

Avator outboard drives are optimized for durability, reliability and overall efficiency, with premium features like you'd expect from Mercury.

- + Durable, high-thrust props
- + Hydrodynamic lower unit
- + Corrosion-fighting finishes

ADVANCED LITHIUM-ION

BATTERY TECHNOLOGY

Avator batteries are made for exploring. They're weather-sealed and built tough enough for marine duty. An intelligent battery management system (BMS) monitors the batteries during charging and use to help ensure optimum performance and safety. Each battery also includes LED indicator lights that show the state of charge, plus an integrated carrying handle.



AVATOR CHARGING SYSTEMS

Safe – Chargers constantly monitor voltage and current to deliver a safe, effective charge.

Smart – LED indicators let you track charging progress.

Convenient – Charge using a standard household outlet.





AVATOR 7.5e

EXPLORE WITH CONFIDENCE

With features that enhance portability and make setup and operation a breeze, the Avator 7.5e outboard is made for exploring. Its quick-connect battery is included as part of the base outboard kit.



7.5e PERFORMANCE

THROTTLE		MAX RUNTIME	MAX RANGE
100%		1 Hour	5 Miles
THROTTLE		MAX RUNTIME	MAX RANGE
75%		2.8 Hours	10 Miles
THROTTLE		MAX RUNTIME	MAX RANGE
50%		6.2 Hours	16 Miles
THROTTLE		MAX RUNTIME	MAX RANGE
25%		19.4 Hours	34 Miles

These figures are based on Mercury internal testing using a 13-foot Veer™ X13 boat (382-pound dry weight). Data derived from continuous use testing at designated throttle level on one full battery charge. Range and runtime may vary. Environmental conditions, boat type and load can influence performance.



Speed & Acceleration

The Avator 7.5e outboard is capable of similar speed and acceleration as a 3.5hp four-stroke internal combustion outboard.



Swappable 1030Wh Battery

Drop it in, close and go. With no cables to connect, the 1030Wh lithium-ion battery slides right into place under the flip-up top cowl. Need to go even farther? No problem. You can bring along an available spare that swaps into place in seconds to keep you underway.



Get Connected

Add a SmartCraft® Connect module to enable a wireless connection between your outboard and the Mercury Marine app.

CHOOSE YOUR CHARGE

1030Wh BATTERY

Charger	Approx. Charge Time
110W (Included with outboard)	~9 hours
230W (Available separately)	~4 hours
520W (Available separately)	<2 hours

**Charge times vary based on several factors, including battery state of charge and temperature.*

AVATOR 20e / 35e

TRANSFORM ORDINARY DAYS INTO ADVENTURES

Avator 20e and 35e electric outboards are engineered to empower your perfect day. Modular batteries make it easy to customize your propulsion system for wherever your imagination leads you.



MODULAR BATTERIES

Connect up to four 2300Wh batteries for optimal range and runtime.

POWER CENTER

This central hub distributes power throughout the system.

DRIVE

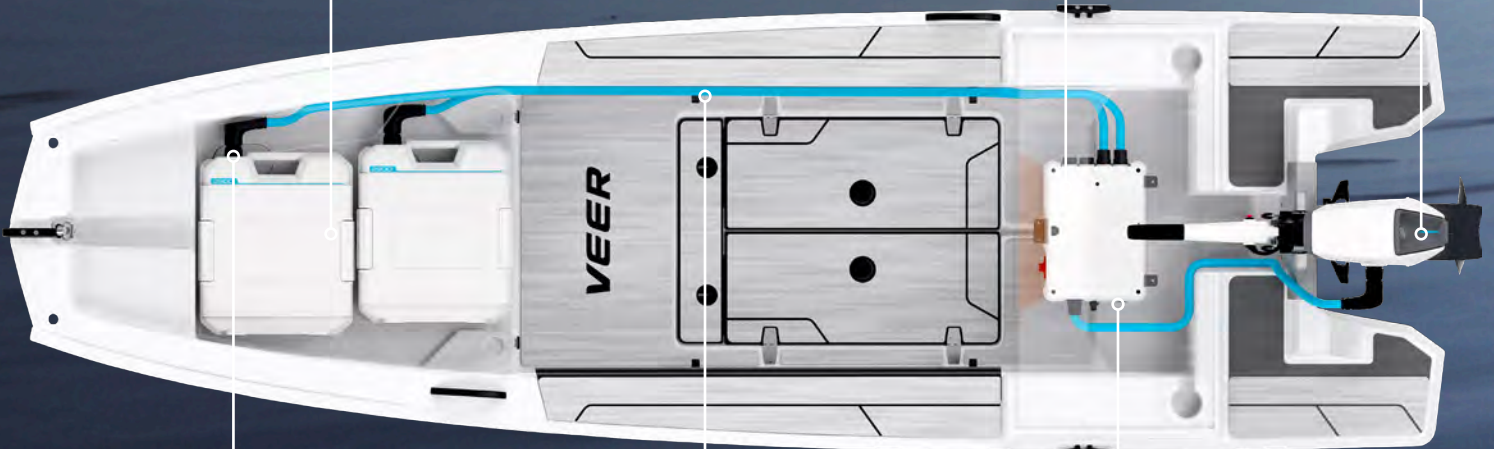
TOOLLESS CONNECTIONS

Twist each power cable's connector collar to lock the cable in place with a watertight connection.

POWER CABLES

CHARGING PORT

Charge up to four batteries at once.





Acceleration

On a 12-foot Lund WC-12 boat, the 20e model can accelerate similar to a 5hp four-stroke outboard, while the 35e model can accelerate similar to a 9.9hp four-stroke.



Runtime

20e with 1 2300Wh Battery – Up to 16 Hours of Runtime
35e with 2 2300Wh Batteries – Up to 18 Hours of Runtime

Based on testing with a 12-foot Lund WC-12 boat.

Ratcheting Quick-Tilt

One-handed tilt adjustments make dialing in performance easy.



CHOOSE YOUR CHARGE

2300Wh BATTERY

Charger	Approx. Charge Time
230W	~10 hours
520W	~4.5 hours

**Charge times vary based on several factors, including battery state of charge and temperature. Estimates shown are for single battery. Charge times increase when simultaneously charging multiple batteries using the Power Center.*

AVATOR 75e / 110e

Whether you're relaxing in the sun or chasing the fish across your favorite lake, the enhanced power of the Avator™ 75e and 110e outboards gives you the freedom to expand the horizon and amplify your adventure.



MODULAR BATTERIES
Connect up to four 5400kW batteries for optimal range and runtime. Charge up to four batteries at once.

5400 POWER CENTER
This central hub distributes power throughout the system.





DIGITAL CONTROLS



POWER TILT

A power tilt system makes it easy to raise the outboard in shallow water and effortlessly dial in performance for maximum efficiency.

Tiller optional on Avator 75e models.

For console boats, digital remote controls deliver instant throttle response, confident shifting, and power tilt control with zero hesitation for easy, safe piloting. Controls are available in three styles to fit a range of center- and side-console mounting positions.

ADVANCED TILLER

Avator 75e models equipped with a tiller allow boaters to take control with confidence. The handle adjusts up and down for comfortable steering from any position, incorporates an integrated tilt switch and digital shift controls, and folds up when not in use.



MORE POWER FOR BIGGER ADVENTURES

The increased power and capacity of the Avator 75e and 110e outboards make them ideal for use on larger and heavier vessels, including aluminum fishing boats and pontoons.

CHOOSE YOUR CHARGE



5400kW BATTERY

Charger
Portable 520W
Vessel-integrated 1kW

Approx. Charge Time
20.5 hours
10 hours

**Charge times vary based on several factors, including battery state of charge and temperature. Estimates shown are for single battery. Charge times increase when simultaneously charging multiple batteries using the Power Center.*

GET OUTFITTED FOR ANY ADVENTURE

ACCESSORIES

Visit your Mercury Authorized Dealer
to purchase Avator accessories.



AVATOR™ SPECIFICATIONS



Batteries & Chargers



MODEL	7.5e	20e	35e
Input Power	916W	3081W	4467W
Rated Prop Shaft Power	750W	2200W	3700W
Rated Voltage	48V	48V	48V
Battery	Integrated 1030Wh	Remote 2300Wh	Remote 2300Wh
Battery Type	Lithium nickel manganese cobalt	Lithium nickel manganese cobalt	Lithium nickel manganese cobalt
Battery IP Rating	IP67	IP67	IP67
Compatible Chargers	110W (Included) 230W (Available) 520W (Available)	230W (Available) 520W (Available)	230W (Available) 520W (Available)
*Total Weight <i>(Excluding Battery & Transom Bracket)</i>	37lbs (16.7kg)	41lbs (18.4kg)	41lbs (18.6kg)
*Total Weight <i>(Excluding Battery)</i>	43lbs (19.5kg)	47lbs (21.1kg)	47lbs (21.3kg)
Battery Weight (1kWh)	17lbs (7.6kg)	48lbs (21.7kg)	48lbs (21.7kg)
Steering	Tiller or remote	Tiller or remote	Tiller or remote
Standard Propeller	12.7 in x 7 pitch	12.7 in x 7 pitch	12.7 in x 7 pitch
Shaft Lengths	15 in (381mm) 20 in (508mm) 25 in (635mm)	15 in (381mm) 20 in (508mm) 25 in (635mm)	15 in (381mm) 20 in (508mm) 25 in (635mm)

*Weight: Lightest tiller handle model, includes propeller.



75e

8.6kW (8600w)
7500W
48V

Remote 5376Wh
Lithium iron phosphate
IP67

520W (Available)
1kW (Available)

129lbs (58.5kg)

93lbs (42.2kg)
Tiller or remote
12.7 in x 8 pitch
12.7 in x 9 pitch
12.7 in x 10.5 pitch
15 in (381mm)
20 in (508mm)
25 in (635mm)

110e

12.8kW (12800w)
11000W
48V

Remote 5376Wh
Lithium iron phosphate
IP67

520W (Available)
1kW (Available)

124lbs (56kg)

93lbs (42.2kg)
Remote
12.7 in x 8 pitch
12.7 in x 9 pitch
12.7 in x 10.5 pitch
20 in (508mm)
25 in (635mm)



MERCURY[®]
AVATOR[™]
ELECTRIC PROPULSION

MercuryMarine.com/Avator

