

Yamaha ECU Flash Instructions

F115 LB XB 1.8L L4 144FSR



READ BEFORE PROCEEDING

Important Information

Installing the ECU flash indicates your acceptance of the responsibility and liability associated with the fitment and use of this product.

Please ensure the owner and drivers of the vessel are aware of their responsibilities and liabilities as indicated below.

Thank you for purchasing this ECU flash which has been designed and made with pride. The owner and drivers of the enhanced vessel must be aware that fitment of an ECU flash may affect:

- The vessel's factory warranty.
- Insurance cover and associated liabilities.
- Compatibility with emission and seaworthy certification.
- The validity of a boat license for a vessel.
- The handling capability of the vessel due to increased engine power & torque characteristics.
- The longevity of the engine.
- We recommend the vessel use premium unleaded fuel only USA pump octane 91 (98 RON).

It is the owner's/driver's responsibility to accept any consequences and liabilities of using the ECU flash and any subsequent effect it may have. Nizpro Marine shall not be liable and shall be 'Held Harmless' for any direct and/or indirect/consequential losses, costs, damages, expenses, injuries or liabilities whatsoever incurred by the owner/driver of the vessel or other parties arising from this ECU flash, its installation and/or its operation. It is recommended that engines have completed at least 10 hours and have been driven, serviced and maintained in accordance with the engine manufacturer's handbook. An engine should be deemed reliable and have delivered all reasonable expectations in line with the engine manufacturer's specifications prior to fitting a ECU flash.

No warranty shall apply where Nizpro Marine have determined improper fitment or handling, misuse in operation, neglect, or accident damage. Engine modifications made prior to or in conjunction with the ECU flash fitment may invalidate the Nizpro Marine limited warranty. Any warranty claims must be made immediately & directly in writing to Nizpro Marine so that a determination can be made promptly. Involvement of a third party or an attempt to repair a perceived/actual fault may invalidate the warranty. To the extent of the law, the determination on any warranty claim & associated costs will be at the sole discretion of Nizpro marine.

By installing the ECU flash, you acknowledge that all conditions pertaining to this product and its operation have been read, understood and accepted.

WARNING!

This Nizpro Marine Performance Repower has been designed and calibrated to run on minimum 87 Octane gas (USA) / 91 Octane fuel (Australia).

Failure to use the recommended octane gas/fuel will likely cause severe damage of powerhead components.

WARNING!

Congratulations on the purchase of your Nizpro Marine Performance Product.

To ensure no delays, we recommend you setup your Woolich Racing account prior to the delivery of your DIY Kit.

Create your Woolich Racing customer account by following the link below:

www.woolichracing.com/CustomerAccount/CreateAccount.aspx

Once you have created and activated your account please email sales@nizpromarine.com with the following Woolich Racing account details:

Customer name:

Email Address used for login:

Engine model: OFFSHORE L4

After we have notified you of your account verification, please download and install the Woolich Racing software from the link below:

www.woolichracing.com/tuned/

You are now ready to install your Nizpro Marine Performance Repower.

Let's get started!!

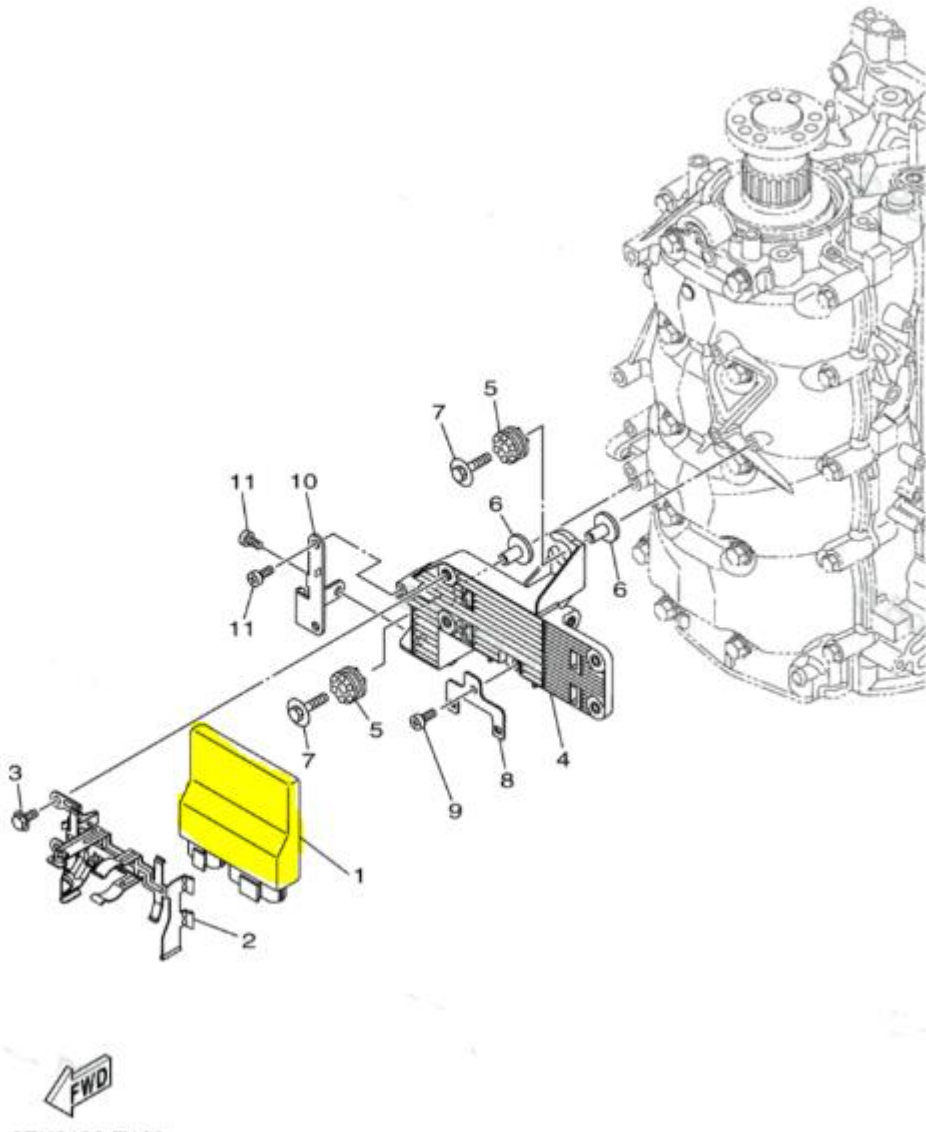
Read these instructions entirely and thoroughly before commencing install.

Note: You must have a stable Internet connection whilst carrying out the ECU flashing procedure.

1. Disconnect battery circuit from engine.

Failure to do so may result in having to use Yamaha Diagnostic System to “re-marry” the ECU to the ignition control module

2. Remove engine cowl.
3. Remove ECU cover.
4. Disconnect & remove the ECU.



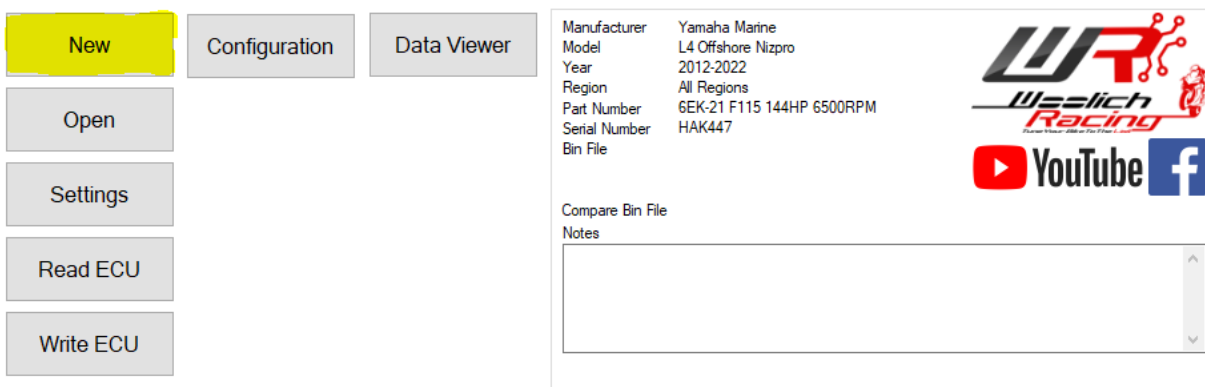
- At your computer, open the Woolich Racing tuned software previously installed. (see “Woolich account set-up”)
- Connect the USB-M v3 to your computer using the micro-USB cable provided. Once plugged in the USB drivers will be updated & installed automatically.
- Move the switch on the USB-M v3 to the left position for one minute.



- Then move the switch to the right position for one minute.



- Open the Woolich Racing Tuned software and then click on the “NEW” button.



- Select **Yamaha**, select **L4 Offshore Nizpro**, and select the **6EK-21 F115 144HP 6500 rpm Performance Repower**.

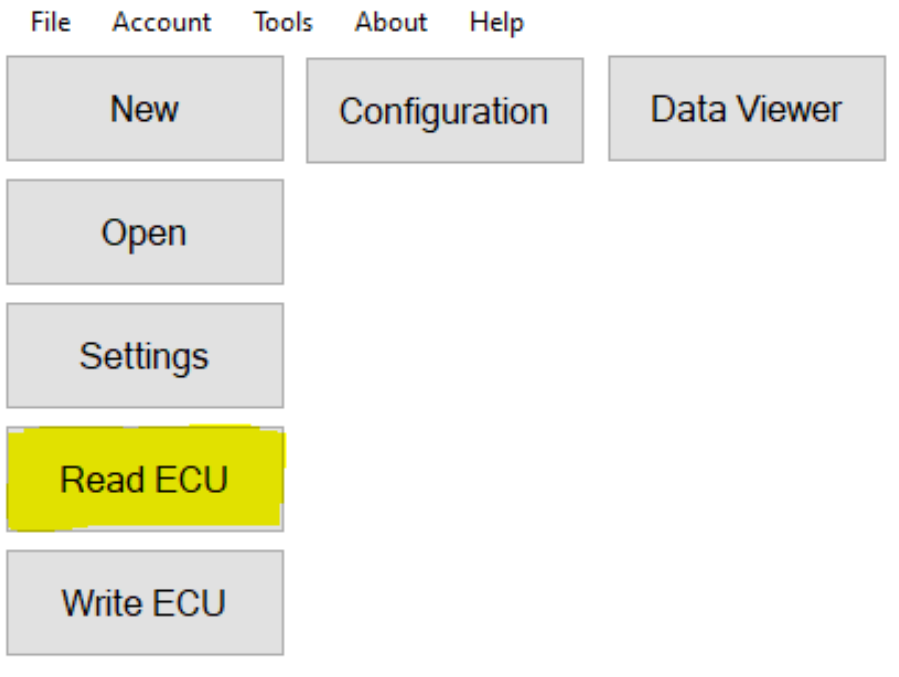
Manufacturer:	Model:	Year:	Search ECU Part Number:
<ul style="list-style-type: none"> BMW Ducati Harley Davidson Honda Kawasaki Suzuki Yamaha Yamaha Marine 	<ul style="list-style-type: none"> Jetski Nizpro Jetski Stock L4 Offshore Nizpro L4 Offshore Stock L4 VMAX SHO Nizpro L4 VMAX SHO Stock Nizpro Development Nizpro Supercharged - Stg 1 Nizpro Supercharged - Stg 2 Nizpro Supercharged - Stg 3 V6 Offshore Nizpro V6 Offshore Stock V6 VMAX SHO Nizpro V6 VMAX SHO Stock V8 F300 Nizpro V8 F300 Stock 	<ul style="list-style-type: none"> 2012-2022 	<ul style="list-style-type: none"> [NPS] 6EK-21 F115 150HP 6500RPM 63P-33 F150 191HP 6200RPM 63P-35 F150 191HP 6200RPM 63P-36 F150 191HP 6200RPM 63P-37 F150 191HP 6200RPM 63P-38 F150 191HP 6200RPM 6DA-00 F200 231HP 6500rpm 6DA-01 F200 231HP 6500rpm 6DA-02 F200 231HP 6500rpm 6DA-10 F200 231HP 6500rpm 6DA-11 F200 231HP 6500rpm 6DV-01 F200 231HP 6500rpm 6DV-10 F200 231HP 6500rpm 6DV-20 F200 231HP 6500rpm 6DV-21 F200 231HP 6500rpm 6EK-21 F115 144HP 6500RPM

- Now click the “NEW” button in the bottom right corner.

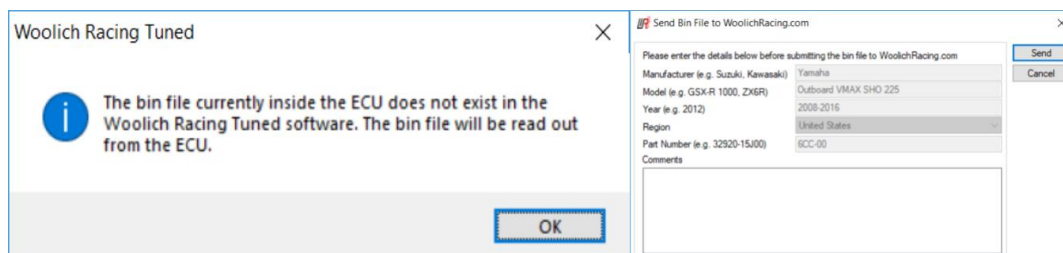
Manufacturer:	Model:	Year:	Search ECU Part Number:
<ul style="list-style-type: none"> BMW Ducati Harley Davidson Honda Kawasaki Suzuki Yamaha Yamaha Marine 	<ul style="list-style-type: none"> Jetski Nizpro Jetski Stock L4 Offshore Nizpro L4 Offshore Stock L4 VMAX SHO Nizpro L4 VMAX SHO Stock Nizpro Development Nizpro Supercharged - Stg 1 Nizpro Supercharged - Stg 2 Nizpro Supercharged - Stg 3 V6 Offshore Nizpro V6 Offshore Stock V6 VMAX SHO Nizpro V6 VMAX SHO Stock V8 F300 Nizpro V8 F300 Stock V8 F350 Nizpro V8 F350 Stock 	<ul style="list-style-type: none"> 2012-2022 	<ul style="list-style-type: none"> [NPS] 6EK-21 F115 150HP 6500RPM 63P-33 F150 191HP 6200RPM 63P-35 F150 191HP 6200RPM 63P-36 F150 191HP 6200RPM 63P-37 F150 191HP 6200RPM 63P-38 F150 191HP 6200RPM 6DA-00 F200 231HP 6500rpm 6DA-01 F200 231HP 6500rpm 6DA-02 F200 231HP 6500rpm 6DA-10 F200 231HP 6500rpm 6DA-11 F200 231HP 6500rpm 6DV-01 F200 231HP 6500rpm 6DV-10 F200 231HP 6500rpm 6DV-20 F200 231HP 6500rpm 6DV-21 F200 231HP 6500rpm 6EK-21 F115 144HP 6500RPM 6EM-10 F130 152HP 6500RPM 6FA-00 F175 187HP Eco 6200rpm 6FA-00 F175 197HP 6200rpm 6FA-01 F175 187HP Eco 6200rpm 6FA-01 F175 197HP 6200rpm <p>Which ECU Part Number should I choose?</p>

Manufacturer: Yamaha Marine Model: L4 Offshore Nizpro Year: 2012-2022 Part Number: 6EK-21 F115 144HP 6500RPM Serial Number: HAK447	Keys (Used/Total) Race Tools Keys 0/0 Launch Control Keys 0/0 Quickshifter Keys 0/0 Pit. Speed Limiter Keys 0/0	<input type="button" value="New"/> <input type="button" value="Download"/>
--	---	---

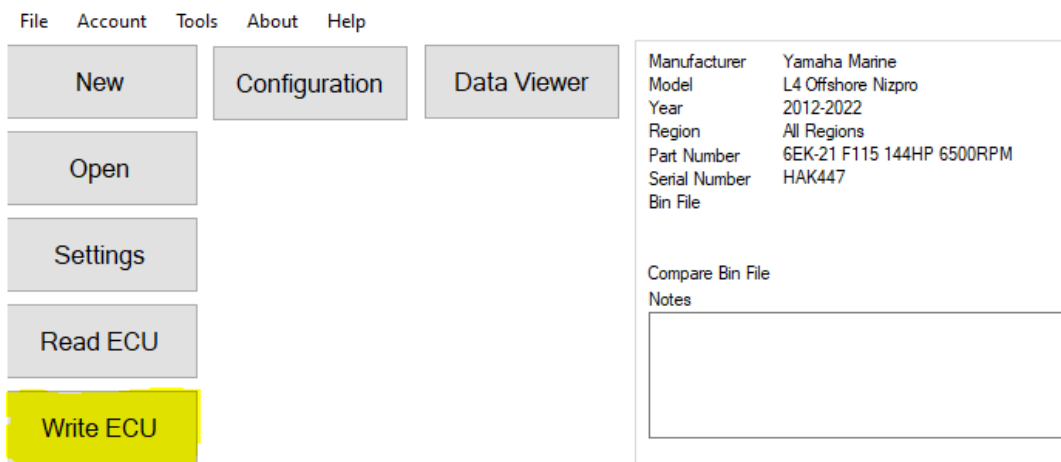
12. Plug the supplied ECU flashing harness into the USB-M v3 and then connect the ECU you wish to flash. Click the “**READ ECU**” button, read the warnings and click to tick the items listed on screen and click “**OK**”. The program will commence reading the ECU and when completed, ensure that the description of the file **READ** out of the ECU matches the file number on the ECU.



13. If the software comes up with an Unrecognised Bin File, then please select the Tools tab and scroll down to Send Bin File to Woolich Racing. Complete the information required and in the Support Ticket # field, list your name. Now send an email to sales@nizpromarine.com telling us you have submitted a file. Wait for reply from Nizpro.



- If the ECU **READ** matches the ECU file number, click on **“WRITE ECU”** button, read the warnings, check the items listed on screen and then click **“OK”**. The flashing procedure will begin and will take approximately 5-6 minutes to flash the ECU with the new Performance Repower.



- Once the flashing procedure is complete, disconnect the power to the ECU and close the Woolich Racing software.

- Refit ECU to the engine and reconnect all wiring plugs.

- Reconnect battery circuit and test operation.

Congratulations, you have now successfully increased the power and improved the fuel efficiency of your Yamaha outboard engine.

Thank you for choosing a Nizpro Marine Performance Repower, we hope you will like it as much as we do.

If you are happy with the upgrade in performance, please leave a review on our Facebook page.

If you are unhappy with the product, please contact us directly as we would love to hear your thoughts and see if we can assist in any way to optimise your performance.

Please send an email to sales@nizpromarine.com.