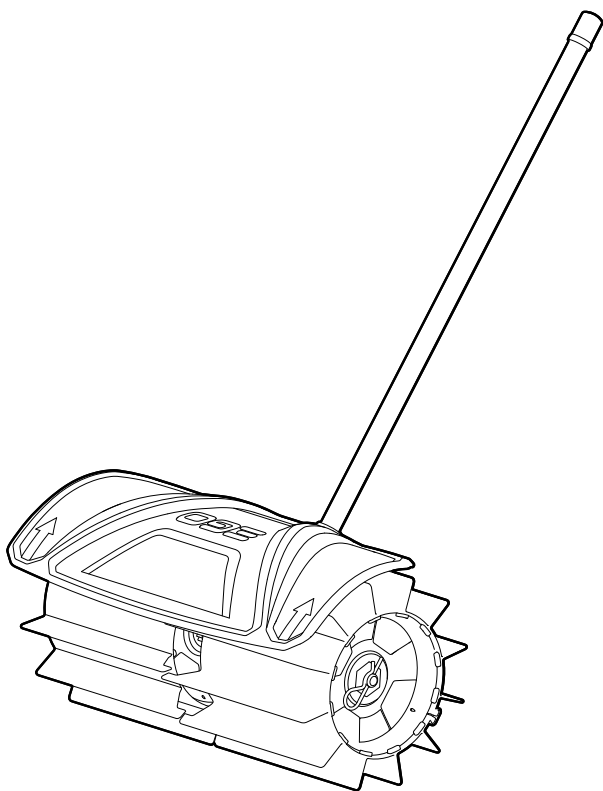


EGO™



EXCLUSIVELY FOR USE WITH
EGO POWER+ POWER HEAD
PH1400/PH1400-FC

OPERATOR'S MANUAL

Français p. 31

RUBBER BROOM ATTACHMENT

Español p. 63

MODEL NUMBER RBA2100/RBA2100-FC

⚠ WARNING: To reduce the risk of injury, the user must read and understand the Operator's Manual before using this product. Save these instructions for future reference.

TABLE OF CONTENTS

Safety Symbols	4
Important Safety Instructions	5-9
Introduction	10
Specifications	11
Packing List	11
Description	12-13
Assembly	14-18
Operation	19-20
Maintenance	21-23
Troubleshooting	24-25
Warranty	26-27

READ ALL INSTRUCTIONS!



READ & UNDERSTAND
OPERATOR'S MANUAL

⚠ WARNING: Some dust created by power sanding, sawing, grinding, drilling and other construction activities contains chemicals known to the state of California to cause cancer, birth defects or other reproductive harm. Some examples of these chemicals are:

- Lead from lead - based paints
- Crystalline silica from bricks and cement and other masonry products, and
- Arsenic and chromium from chemically - treated lumber.

Your risk from these exposures varies, depending on how often you do this type of work. To reduce your exposure to these chemical: work in a well ventilated area, and work with approved safety equipment, such as those dust masks that are specially designed to filter out microscopic particles.

SAFETY SYMBOLS

The purpose of safety symbols is to attract your attention to possible dangers. The safety symbols and the explanations with them deserve your careful attention and understanding. The symbol warnings do not, by themselves, eliminate any danger. The instructions and warnings they give are no substitutes for proper accident prevention measures.

⚠ WARNING: Be sure to read and understand all safety instructions in this Operator's Manual, including all safety alert symbols such as "**DANGER**," "**WARNING**," and "**CAUTION**" before using this tool. Failure to following all instructions listed below may result in electric shock, fire, and/or serious personal injury.

SYMBOL MEANING

⚠ SAFETY ALERT SYMBOL: Indicates **DANGER, WARNING, OR CAUTION.** May be used in conjunction with other symbols or pictographs.



⚠ WARNING! The operation of any power tools can result in foreign objects being thrown into your eyes, which can result in severe eye damage. Before beginning power tool operation, always wear safety goggles or safety glasses with side shield and a full face shield when needed. We recommend a Wide Vision Safety Mask for use over eyeglasses or standard safety glasses with side shields. Always use eye protection which is marked to comply with ANSI Z87.1.

SAFETY INSTRUCTIONS

This page depicts and describes safety symbols that may appear on this product. Read, understand, and follow all instructions on the machine before attempting to assemble and operate it.

	Safety Alert	Indicates a potential personal injury hazard.
	Read & Understand Operator's Manual	To reduce the risk of injury, user must read and understand the operator's manual before using this product.
	Wear Eye Protection	Always wear safety goggles or safety glasses with side shields when operating this product.
	Wear Protective Gloves	Protect your hands with gloves when handling blades. Heavy-duty, nonslip gloves improve your grip and protect your hands.
	Ricochet	Thrown objects can ricochet and result in personal injury or property damage.
	Recycle Symbols	This product uses lithium-ion (Li-ion) batteries. Local, state, or federal laws may prohibit disposal of batteries in ordinary trash. Consult your local waste authority for information regarding available recycling and/or disposal options.
IPX4	Ingress Protection Degree	Protection from splashing water
V	Volt	Voltage
mm	Millimeter	Length or size
in.	Inch	Length or size

kg	Kilogram	Weight
lb	Pound	Weight
°C	Celsius Temperature	Temperature
°F	Fahrenheit Temperature	Temperature

IMPORTANT SAFETY INSTRUCTIONS

⚠ WARNING: When using electric rubber broom, basic safety precautions should always be followed to reduce the risk of fire, electric shock, and personal injury, including the following:

READ ALL INSTRUCTIONS

⚠ DANGER! Do not rely on the tool's insulation against electric shock. To reduce the risk of electrocution, never operate the tool in the vicinity of any wires or cables which may carry electric current.

⚠ CAUTION! Wear appropriate personal hearing protection during use. Under some conditions and durations of use, noise from this product may contribute to hearing loss.

- **Keep Children Away** - All visitors should be kept at least 100 feet away from work area.
- **Avoid Dangerous Environments** – Don't use appliances on damp or wet slope.
- **Dress Properly** - Do not wear loose clothing or jewelry. They can be caught in moving parts. Use of rubber gloves and substantial footwear is recommended when working outdoors. Wear protective hair covering to contain long hair.
- **Use Safety Glasses** - Always use face or dust mask if operation is dusty.
- **Use the Right Tool** - Do not use the tool for any job except that for which it is intended.
- **Don't Force the Rubber Broom** - It will do the job better and with less likelihood of a risk of injury at the rate for which it was designed.
- **Don't Overreach** - Keep proper footing and balance at all times.
- **Stay Alert** - Watch what you are doing. Use common sense. Do not operate the rubber broom when you are tired.
- **Do not operate the rubber broom while under the influence of alcohol or drugs.**
- **Keep guards in place and in working order.**

⚠ WARNING! To reduce the risk of injury to persons, do not operate without guards in place.

- **Keep hands and feet away from the cutting area.**

- **Store Rubber Broom Indoors** - When not in use the rubber broom should be stored indoors in a dry and high or locked-up place with the battery pack removed- out of reach of children.
- **Maintain Rubber Broom With Care** - Keep the rubber broom attachment clean for best performance and to reduce the risk of injury. Follow the instructions for changing accessories. Keep the handles dry, clean, and free from oil and grease.
- **Check Damaged Parts** - Before further use of the rubber broom, a guard or other part that is damaged should be carefully checked to determine that it will operate properly and perform its intended function. Check for alignment of moving parts, binding of moving parts, breakage of parts, mounting, and any other condition that may affect its operation. A guard or other part that is damaged should be properly repaired or replaced by an authorized service center unless indicated elsewhere in this manual.
- **Clear the area to be cut before each use.** Remove all objects such as rocks, broken glass, nails, wire, or string that can be thrown or become entangled in the rubber broom attachment. Make sure that other persons and pets are at least 17 ft. (5m) away.
- **Always hold the unit firmly, with both hands on the handles, while operating. Wrap your fingers and thumbs around the handles.**
- **Avoid Accidentally Starting** – Don't carry the rubber broom with your finger on the trigger.
- **Do not operate the rubber broom in gaseous or explosive atmospheres.** Motors in these appliances normally spark, and the sparks might ignite fumes.
- **Damage to Rubber Broom** - If you strike a foreign object with the rubber broom or it becomes entangled, stop the tool immediately, check for damage and have any damage repaired before further operation is attempted. Do not operate with a broken guard.
- **If the equipment should start to vibrate abnormally, stop the motor and check immediately for the cause.**
- **Replace a damaged rubber broom immediately.** Such attachments may shatter at high speed and cause serious or fatal injury.
- **Check the rubber broom attachment at regular short intervals during operation, or immediately if there is a noticeable change in sweeping behavior.**

- **To reduce the risk of injury from loss of control, never work on a ladder or on any other insecure support. Never hold the rubber broom attachment above waist height.**
- **Do not charge the battery pack in rain, or in wet locations.**
- Use Only With The 56V Lithium-Ion Power Head PH1400/PH1400-FC.
- **Do not dispose of the battery in a fire.** The cells may explode. Check with local codes for possible special disposal instructions.
- **Do not open or mutilate the battery.** Released electrolyte is corrosive and may cause damage to the eyes or skin. It may be toxic if swallowed.
- **Exercise care in handling batteries in order not to short the battery with conducting materials such as rings, bracelets, and keys.** The battery or conductor may overheat and cause burns.
- **Replacement Parts** - When servicing, use only identical EGO replacement parts. Use of any other accessory or attachment may increase the risk of injury.
- **Battery tools do not have to be plugged into an electrical outlet; therefore, they are always in operating condition.** Be aware of possible hazards even when the tool is not operating. Take care when performing maintenance or service.
- **Remove or disconnect battery pack before servicing, cleaning or removing material from the rubber broom.**
- **Do not wash with a hose; avoid getting water in motor and electrical connections.**
- **Do not expose a battery pack or tool to fire or excessive temperature.** Exposure to fire or temperature above 212 °F (100°C) may cause explosion.
- **If situations occur that are not covered in this manual, use care and good judgment. Contact the EGO Customer Service Center for assistance.**
- **Save these instructions.** Refer to them frequently and use them to instruct others who may use this tool. If you lend this tool to someone else, also lend these instructions to them to prevent misuse of the product and possible injury.

NOTE: SEE YOUR POWER HEAD OPERATOR'S MANUAL FOR ADDITIONAL SPECIFIC SAFETY RULES.



INTRODUCTION

Congratulations on your selection of the EGO RUBBER BROOM ATTACHMENT. It has been designed, engineered and manufactured to give you the best possible dependability and performance.

Should you experience any problem you cannot easily remedy, **please contact EGO Customer Service Center 1-855-EGO-5656.**

This manual contains important information on the safe assembly, operation and maintenance of your product. Read it carefully before using the product. Keep this manual handy so you can refer to it at any time.

SERIAL NUMBER _____ DATE OF PURCHASE _____

YOU SHOULD RECORD BOTH SERIAL NUMBER AND DATE OF PURCHASE AND KEEP THEM IN A SAFE PLACE FOR FUTURE REFERENCE

SPECIFICATIONS

Drum Diameter	10.6" (270mm)
Sweeping Width	21" (540mm)
Operating Temperature	5°F-104°F (-15°C to 40°C)
Storage Temperature	-40°F-158°F (-40°C to 70°C)
Weight (including the guard)	13.89lbs (6.30kg)

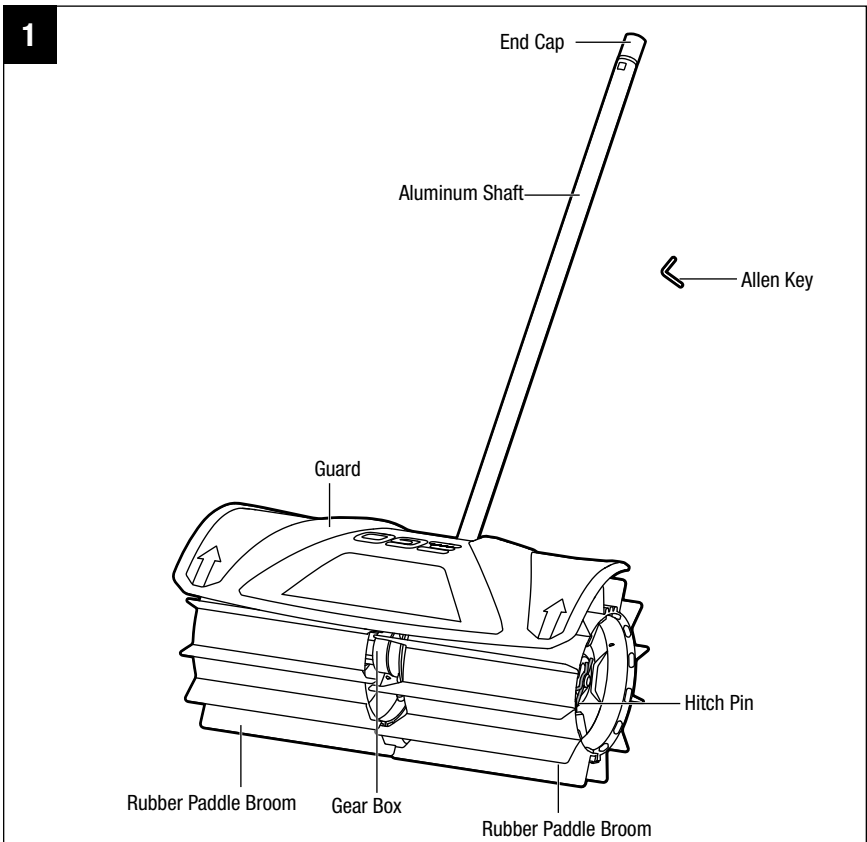
PACKING LIST

PART NAME	QUANTITY
Rubber Broom Attachment	1
Rubber paddle broom	2
Drive Axle	2
Guard(with bolt)	1
Allen Key	1
Hitch pin	2
Lock pin	2
Operator's Manual	1

DESCRIPTION

KNOW YOUR RUBBER BROOM ATTACHMENT (Fig.1)

The safe use of this product requires an understanding of the information on the tool and in this operator's manual, as well as knowledge of the project you are attempting. Before using this product, familiarize yourself with all operating features and safety rules.



⚠ WARNING: Never operate the tool without the guard firmly in place. The guard must always be on the tool to protect the user.

END CAP

Protects shaft from the intrusion of dirt and debris when not in use.

GUARD

Reduces the risk of injury from foreign objects flung backwards toward the operator and from contact with the rubber paddle brooms.

HITCH PIN

Secures the rubber paddle brooms and simplifies removal and installation of the rubber paddle brooms.

RUBBER PADDLE BROOM

Tool for sweeping and clearing.

ALLEN KEY

To assemble the plastic guard.

ASSEMBLY

⚠ WARNING: If any parts are damaged or missing, do not operate this product until the parts are replaced. Use of this product with damaged or missing parts could result in serious personal injury.

⚠ WARNING: Do not attempt to modify this product or create accessories not recommended for use with this product. Any such alteration or modification is misuse and could result in a hazardous condition leading to possibly serious personal injury.

⚠ WARNING: Do not connect the rubber broom to the power head until assembly is complete. Failure to comply could result in accidental starting and possible serious personal injury.

UNPACKING

- This product requires assembly.
- Carefully remove the product and any accessories from the box. Make sure that all items listed in the packing list are included.

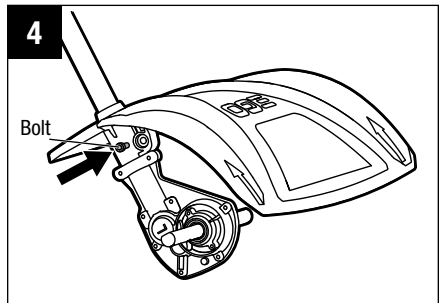
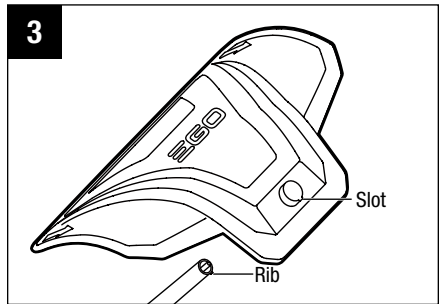
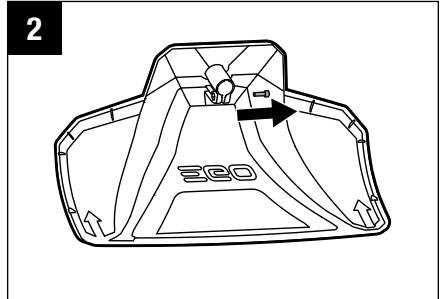
⚠ WARNING: Do not use this product if any parts on the packing list are already assembled to your product when you unpack it. Parts on this list are not assembled to the product by the manufacturer and require customer installation. Use of a product that may have been improperly assembled could result in serious personal injury.

- Inspect the tool carefully to make sure that no breakage or damage occurred during shipping
- Do not discard the packing material until you have carefully inspected and satisfactorily operated the tool.
- If any parts are damaged or missing, please return the product to the place of purchase.

MOUNTING THE GUARD

⚠ WARNING: Install the guard before the rubber broom attachment is connected to the power head.

1. Loosen and remove the bolt from the guard with the supplied Allen key (Fig.2).
2. Lift the rubber broom attachment shaft and remove the end cap from the shaft.
3. With the slot in the guard aligned with the rib on the end of the shaft, pass the guard through the shaft until the screw holes in the guard and in the shaft are aligned (Fig. 3 & 4).
4. Use the supplied Allen key to tighten the bolt in the clockwise direction, to lock the guard securely.

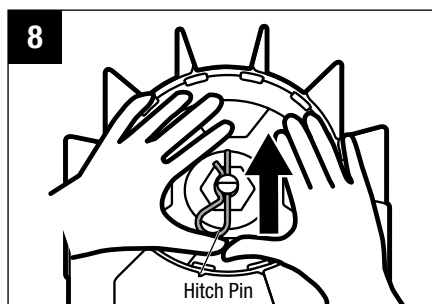
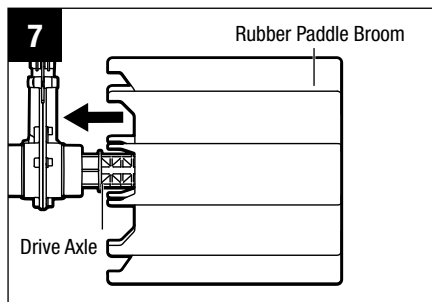
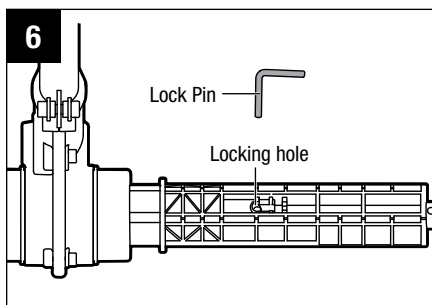
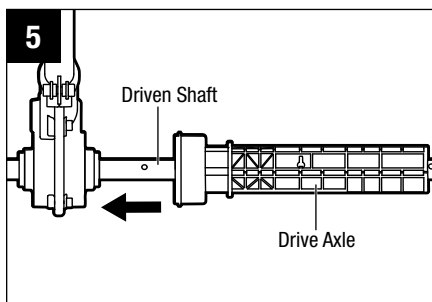


MOUNTING THE RUBBER PADDLE BROOMS

1. Push the drive axle onto the driven shaft (Fig.5).
2. To secure the drive axle to the driven shaft, insert the lock pin into the locking hole.

NOTE: The lock pin need to be installed in place (Fig.6).

3. Following the same steps to mount the other drive axle.
4. Push the rubber paddle broom onto the drive axle (see Fig.7).
5. Insert the hitch pin into the locking hole to secure the rubber paddle broom to the drive axle (Fig.8).
6. Following the same steps to mount the other rubber paddle broom.



CONNECTING THE RUBBER BROOM ATTACHMENT TO THE POWER HEAD

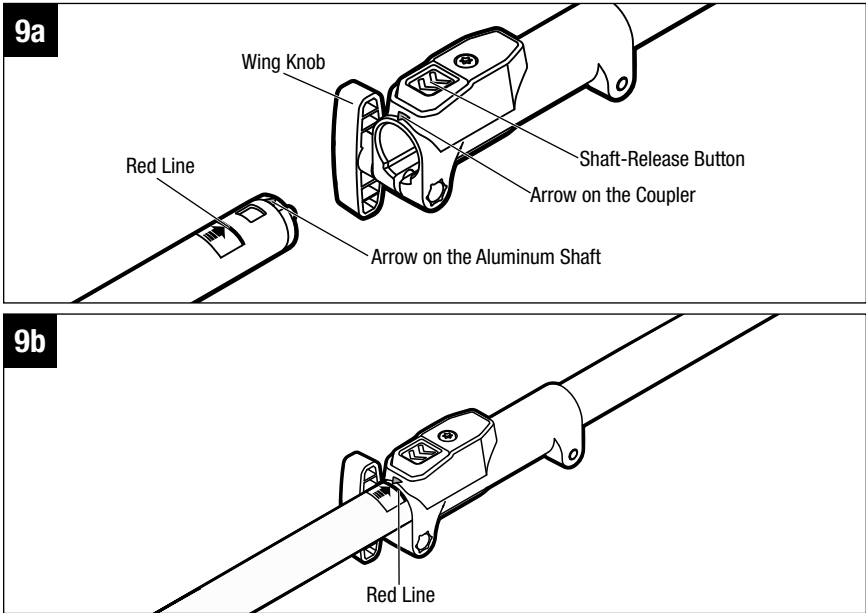
⚠ WARNING: Never attach or adjust any attachment while the power head is running or with the battery installed. Failure to stop the motor and remove the battery may cause serious personal injury.

This rubber broom attachment is designed for use with EGO Power Head PH1400/PH1400-FC.

The rubber broom attachment connects to the power head by means of a coupler device.

1. Stop the motor and remove the battery pack.
2. Loosen the wing knob on the power head coupler.
3. If the end cap is on the attachment shaft, remove it and save it in a safe place for later use. Align the arrow on the rubber broom shaft with the arrow on the coupler (Fig. 9a) and push the rubber broom shaft into the coupler until you hear a clear “CLICK” sound. The coupler should be positioned all the way to the **RED LINE** labeled on the shaft: until the red line mark is flush with the coupler edge (Fig. 9b).
4. Pull on the shaft of the rubber broom attachment to verify that it is securely locked into the coupler. If not, rotate the rubber broom shaft from side to side in the coupler until a clear “CLICK” sound indicates that it is engaged.
5. Tighten the wing knob securely.

⚠ WARNING: Be certain the wing knob on the coupler is fully tightened before operating the equipment; check it periodically for tightness during use to avoid serious personal injury.



REMOVING THE ATTACHMENT FROM THE POWER HEAD

1. Stop the motor and remove the battery pack.
2. Loosen the wing knob.
3. Press the shaft-release button and with the button depressed, pull or twist the rubber broom attachment shaft out of the coupler to separate it from the power head.

OPERATION

⚠ WARNING: Do not allow familiarity with this product to make you careless. Remember that a careless fraction of a second is sufficient to inflict serious injury.

⚠ WARNING: Always wear eye protection that is marked to comply with ANSI Z87.1. Failure to do so could result in objects being thrown into your eyes and other possible serious injuries.

⚠ WARNING: Do not use any attachments or accessories not recommended by the manufacturer of this product. The use of attachments or accessories not recommended can result in serious personal injury.

APPLICATIONS

You may use this product for the purpose listed below:

- Sweeping areas and paths, moving wet materials, such as leaves or dirt ;
- Clearing snow and removing standing water from solid surfaces.

NOTICE: To reduce the risk of injury, never work without the guard.

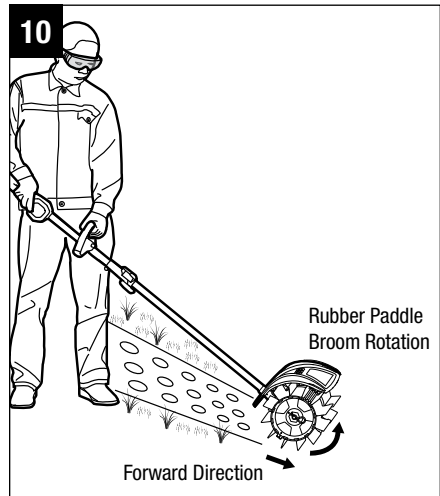
⚠ WARNING: Dress properly to reduce the risk of injury when operating this tool. Do not wear loose clothing or jewelry. Wear eye protection. Wear heavy, long pants, boots and gloves. Do not wear short pants or sandals or go barefoot.

If the surface to be cleaned is dry, spray it with water to reduce the amount of dust created.

You should work with the rubber broom forward. Hold the rubber broom with one hand on the rear handle and the other hand on the front-assist handle. Keep a firm grip with both hands while operating the rubber broom.

Hold and guide the rubber broom at a shallow angle. If the rubber broom is held at too steep an angle, it tends to push back towards the operator.

Maintain your grip and balance on both feet (Fig.10).



Thrown materials may seriously injure the operator or bystander. To reduce the risk of personal injury, it is essential to take the following precautions:

- Always hold the rubber broom with both hands when operating. Use a firm grip on both handles.
- Move the rubber broom to the work area before starting and start the rubber brush at a lower speed.
- To reduce the risk of injury from loss of control, hold and guide the rubber broom at a shallow angle. If the rubber broom is held at too steep an angle, it tends to push back towards the operator.

Before each use check for damaged/worn parts

Check the rubber broom, guard, front-assist handle and drive axle and replace any parts that are cracked, warped, bent, or damaged in any way.

Clean the rubber broom after each use

See the Maintenance section for cleaning instructions.

⚠ WARNING: Ensure the rubber broom have come to a complete stop and the battery is removed off before cleaning or servicing the rubber broom ilure to comply could result in possible serious personal injury.

TO START/STOP THE TOOL

See "**STARTING/STOPPING THE POWER HEAD**" section in the power head PH1400/PH1400-FC operator's manual.

MAINTENANCE

⚠ WARNING: When servicing, use only identical replacement parts. Use of any other parts may create a hazard or cause product damage. To ensure safety and reliability, all repairs should be performed by a qualified service technician.

⚠ WARNING: Battery tools do not have to be plugged into an electrical outlet; therefore, they are always in operating condition. To prevent serious personal injury, take extra precautions and care when performing maintenance, service or for changing the cutting attachment or other attachments.

⚠ WARNING: To prevent serious personal injury, remove the battery pack from the power head and wait for the rubber paddle broom stop before servicing, cleaning, changing add-on attachments or when the product is not in use.

GENERAL MAINTENANCE

Avoid using solvents when cleaning plastic parts. Most plastics are susceptible to damage from various types of commercial solvents and may be damaged by their use. Use a clean cloth to remove dirt, dust, oil, grease, etc.

⚠ WARNING: Do not at any time let brake fluids, gasoline, petroleum-based products, penetrating oils, etc., come in contact with plastic parts. Chemicals can damage, weaken, or destroy plastic, which may result in serious personal injury.

⚠ WARNING: When cleaning the rubber broom attachment, DO NOT immerse it in water or other liquids. Do not clean your machine with a pressure washer. The solid jet of water may damage parts of the machine.

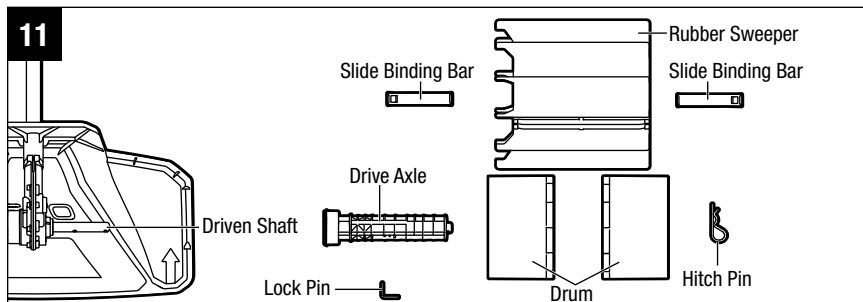
RUBBER BROOM MAINTENANCE

- Cleaning the rubber broom frequently.
- If any of the rubber paddle broom needs replacing due to broken, replace all two rubber paddle brooms for best performance.

All rubber broom service, other than the items listed in these maintenance instructions, should be performed by a authorized service personnel.

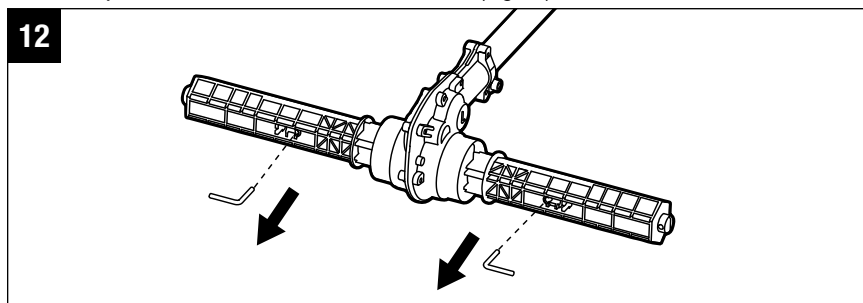
REPLACING THE RUBBER PADDLE BROOM

⚠ WARNING: A damaged rubber paddle broom may break into pieces after long-time use which may cause dangerous projectiles. Thrown objects can cause serious injury. Inspect it regularly and do not operate the rubber broom with a worn or damaged parts.



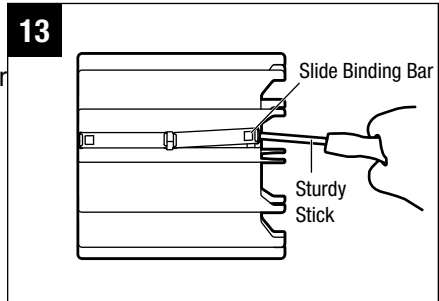
To Remove

1. Wear the gloves.
2. Remove the hitch pin from the end of the drive axle (Fig.11).
3. Pull the rubber paddle broom off the drive axle.
4. If the drive axle is damaged, remove the lock pin from the hole of the drive axle and pull the drive axle off the driven shaft (Fig.12).



- If the rubber sweeper or the drum is damaged, remove the two slide Binding Bars from the rubber sweeper using the sturdy stick (like the Flat head screwdriver) (Fig.13), then separate the rubber sweeper from the drum, if any parts are damaged, please replace them.

⚠ WARNING: Always protect your hands by wearing heavy gloves.



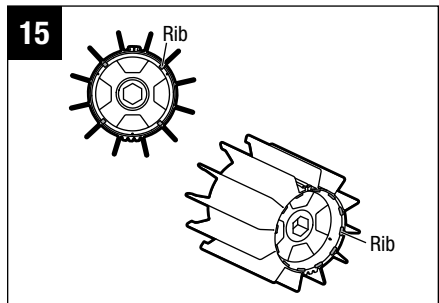
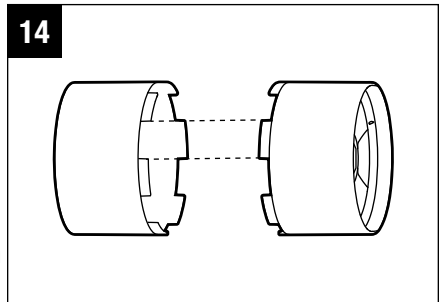
- Following the same steps to remove the other rubber paddle broom.

To Install

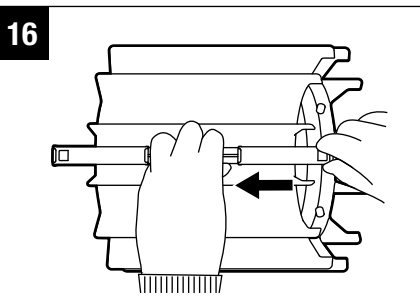
⚠ WARNING: Always protect your hands by wearing heavy gloves.

⚠ WARNING: Do not attach any sweeping attachment to a unit without proper installation of all required parts. Failure to use the proper parts may cause the working tool to fly off and seriously injure the operator or bystanders.

- Wear gloves.
- Install the drive axle onto the driven shaft and insert the lock pin into the hole on the drive axle (Fig.6).
- Assemble the drum through aligning the rib on the part of the drum into the hole on the other part of the drum (Fig.14).
- Install the rubber sweeper onto the drum, please notice that the ribs distributed at both ends of the rubber sweeper need to wrap the two edges of the drum (Fig.15).

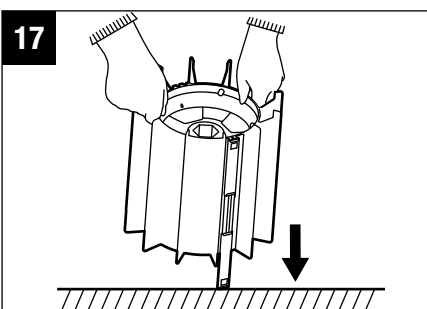


5. Pinch the ends of the rubber sweeper tightly with your one hand and align the slide binding bar with the groove using the other hand (Fig.16).
6. To prevent the upper end of the slide binding bar slipping off during assembly, it is recommended to erect the rubber paddle broom and have a small angle with the ground (Fig.17).

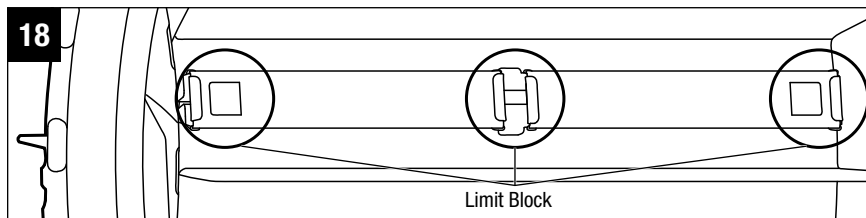


NOTE: The slide binding bar needs to slide to the limit block (Fig.18).

7. Attach the rubber paddle broom onto the drive axle.
8. Insert the hitch pin in the hole at the end of the drive axle and fold it flat.
9. Following the same steps to mount the other rubber paddle broom.



⚠ WARNING: Always replace both rubber paddle brooms.



CLEAN THE UNIT

- Remove the battery.
- Clean the pieces of roots, clogged soils or plants on the rubber paddle brooms, guard or the gear box. For thorough cleaning, remove the rubber paddle brooms and guard to wash them thoroughly. For detailed replacement steps please see above section **“REPLACING THE RUBBER PADDLE BROOM”**.
- Keep the air vents free of obstructions.

STORING THE UNIT

- Remove the battery pack from the tool.
- Clean the tool thoroughly and inspect the rubber paddle brooms.
- Remove the rubber broom attachment from the power head and cover the attachment shaft with end cap to avoid dirt getting into the coupling.
- Store the tool in a dry, well-ventilated area, locked-up or up high, out of the reach of children. Do not store the unit on or adjacent to fertilizers, gasoline, or other chemicals.

TROUBLESHOOTING

PROBLEM	CAUSE	SOLUTION
<p>Rubber broom fails to start.</p>	<ul style="list-style-type: none"> ■ The battery pack is not properly attached to the power head. ■ No electrical contact between the power head and the battery pack. ■ The battery pack is depleted. ■ The lock-off lever and trigger of the power head are not depressed simultaneously. ■ Still not start beyond the above reasons. ■ Gear case was frozen. 	<ul style="list-style-type: none"> ■ Attach the battery pack to the power head. ■ Remove battery, check contacts and reinstall the battery pack until it snaps into place. ■ Charge the battery pack with an EGO charger listed in this manual. ■ Press the lock-off lever and hold it, then depress the trigger to turn on. ■ Contact EGO Customer Service. ■ Remove the power head and rotate the rubber broom until it can rotate normally.
<p>Rubber broom is obviously damaged.</p>	<ul style="list-style-type: none"> ■ Abnormal damage during transportation or use. 	<ul style="list-style-type: none"> ■ Contact EGO Customer Service.

PROBLEM	CAUSE	SOLUTION
<p>Rubber broom stops while brushing.</p>	<ul style="list-style-type: none"> ■ The motor is overloaded. ■ The battery pack or the power head is too hot. ■ The battery pack is disconnected from the tool. ■ The battery pack is depleted. ■ Still not start beyond the above reasons. 	<ul style="list-style-type: none"> ■ The motor will recover when the load is removed. For continuous work, decrease the load on the rubber broom. ■ Allow the battery pack or the power head to cool until the its temperature drops below 152°F (67°C). ■ Re-install the battery pack. ■ Charge the battery pack with an EGO charger listed in this manual. ■ Contact EGO Customer Service.



WARRANTY

EGO WARRANTY POLICY

5-year limited warranty on EGO POWER+ outdoor power equipment and portable power for personal, household use.

3-year limited warranty on EGO POWER+ System battery packs and chargers for personal, household use.

2 year/1year limited warranty on EGO outdoor power equipment, portable power, battery packs, and chargers for professional and commercial use.

The detailed warranty periods by products can be found online at

<http://egopowerplus.com/pages/warranty-policy>.

Please contact EGO Customer Service Toll-Free at 1-855-EGO-5656 any time you have questions or warranty claims.

LIMITED SERVICE WARRANTY

EGO products are warranted against defects in material or workmanship from the date of original retail purchase for the applicable warranty period. Defective product will receive free repair.

- a) This warranty applies only to the original purchaser from an authorized EGO retailer and may not be transferred. Authorized EGO retailers are identified online at <http://egopowerplus.com/pages/warranty-policy>.
- b) The warranty period for reconditioned or factory certified products used for residential purpose is 1 year, for industrial, professional or commercial purpose is 90 days.
- c) The warranty period for routine maintenance parts, such as, but not limited to, blades, trimmer heads, chain bars, saw chains, belts, scraper bars, blower nozzles, and all other EGO accessories is 90 days for residential purpose, 30 days for industrial, professional or commercial purpose. These parts are covered for 90/30 days from manufacture defects in normal working conditions.
- d) This warranty is void if the product has been used for rental purpose.
- e) This warranty does not cover the damage resulting from modification, alteration or unauthorized repair.

- f) This warranty only covers defects arising under normal usage and does not cover any malfunction, failure or defect resulting from misuse, abuse (including overloading of the product beyond capacity and immersion in water or other liquid), accidents, neglect or lack of proper installation, and improper maintenance or storage.
- g) This warranty does not cover normal deterioration of the exterior finish, including but not limited to scratches, dents, paint chips, or to any corrosion or discoloring by heat, abrasive and chemical cleaners.

HOW TO OBTAIN SERVICE

For warranty service, please contact EGO customer service toll-free at **1-855-EGO-5656**. When requesting warranty service, you must present the original dated sales receipt. An authorized service center will be selected to repair the product according to the stated warranty terms. When bringing your product to the authorized service center, there may be a small deposit that will be required when dropping off your tool. This deposit is refundable when the repair service is deemed to be covered under warranty.

ADDITIONAL LIMITATIONS

To the extent permitted by applicable law, all implied warranties, including warranties of MERCHANTABILITY or FITNESS FOR A PARTICULAR PURPOSE, are disclaimed. Any implied warranties, including warranties of merchantability or fitness for a particular purpose, that cannot be disclaimed under state law are limited to the applicable warranty period defined at the beginning of this article.

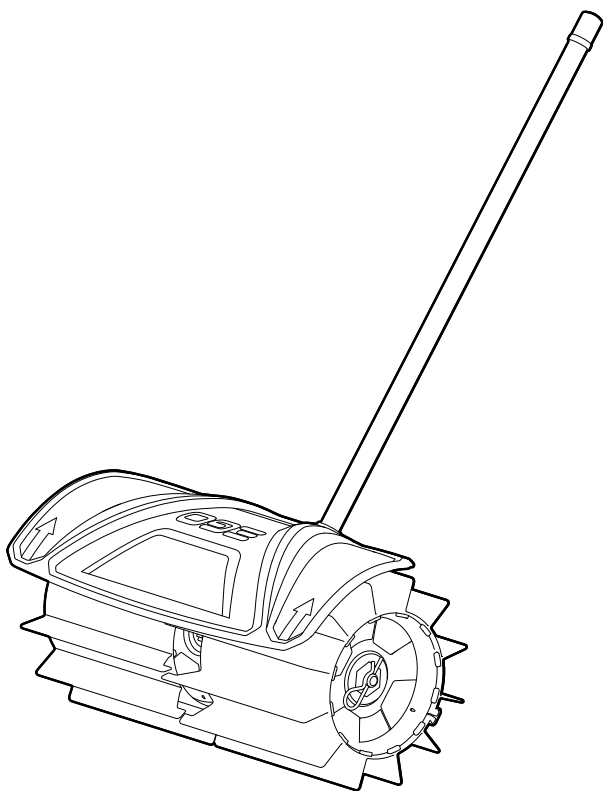
Chervon North America is not responsible for direct, indirect, incidental or consequential damages.

Some states do not allow limitations on how long an implied warranty lasts and/or do not allow the exclusion or limitation of incidental or consequential damages, so the above limitations may not apply to you.

This warranty gives you specific legal rights, and you may also have other rights which vary from state to state.

For customer service contact us toll-free at: **1-855-EGO-5656** or **EGOPOWERPLUS.COM**. EGO Customer Service, 769 SEWARD AVE NW / Suite 102 Grand Rapids, MI 49504

EGO™



À UTILISER UNIQUEMENT AVEC
LA TÊTE D'ALIMENTATION EGO
POWER+ PH1400/PH1400-FC

GUIDE D'UTILISATION

ACCESSOIRE DE BALAYAGE À PALES EN CAOUTCHOUC

NUMÉRO DE MODÈLE RBA2100/RBA2100-FC

⚠ AVERTISSEMENT : Afin de réduire les risques de blessure, l'utilisateur doit lire et comprendre le guide d'utilisation avant d'utiliser ce produit. Conservez le présent guide afin de pouvoir le consulter ultérieurement.

TABLE DES MATIÈRES

Symboles de sécurité	34
Consignes de sécurité importantes	35-40
Introduction	41
Caractéristiques techniques	42
Liste des pièces contenues dans l'emballage	42
Description	43-44
Assemblage	45-49
Fonctionnement	50-52
Entretien	53-58
Dépannage	59-60
Garantie	61-62

LISEZ TOUTES LES INSTRUCTIONS!



LIRE ET COMPRENDRE
LE GUIDE D'UTILISATION

⚠ AVERTISSEMENT : La poussière créée pendant le ponçage, le sciage, le polissage, le perçage et d'autres activités liées à la construction peut contenir des produits chimiques reconnus par l'État de la Californie comme étant la cause de cancers, d'anomalies congénitales et d'autres problèmes liés aux fonctions reproductrices. Voici des exemples de ces produits chimiques :

- Le plomb provenant de peintures à base de plomb;
- La silice cristallisée contenue dans les briques, le ciment et d'autres produits de maçonnerie;
- L'arsenic et le chrome contenus dans le bois d'œuvre traité avec des produits chimiques.

Les risques liés à l'exposition à ces produits varient en fonction de la fréquence à laquelle vous effectuez ce type de travaux. Pour réduire votre exposition à ces produits chimiques, travaillez dans une zone bien ventilée et portez l'équipement de sécurité approuvé, comme les masques antipoussières conçus pour ne pas laisser passer les particules microscopiques.

SYMBOLES DE SÉCURITÉ

L'objectif des symboles de sécurité est d'attirer votre attention sur les dangers potentiels. Vous devez examiner attentivement et bien comprendre les symboles de sécurité et les explications qui les accompagnent. Les symboles d'avertissement en tant que tels n'éliminent pas le danger. Les consignes et les avertissements qui y sont associés ne remplacent en aucun cas les mesures préventives adéquates.

⚠ AVERTISSEMENT : Avant d'utiliser cet outil, assurez-vous de lire et de comprendre toutes les consignes de sécurité présentées dans le présent guide d'utilisation, notamment toutes les consignes de sécurité indiquées par « **DANGER** », « **AVERTISSEMENT** » et « **MISE EN GARDE** ». Le non-respect des consignes de sécurité ci-dessous peut occasionner une décharge électrique, un incendie ou des blessures graves.

SIGNIFICATION DES SYMBOLES

⚠ SYMBOLE D'ALERTE DE SÉCURITÉ : Indique un **DANGER**, **AVERTISSEMENT** ou une **MISE EN GARDE**. Il peut être associé à d'autres symboles ou pictogrammes.



⚠ AVERTISSEMENT! L'utilisation de tout outil électrique peut entraîner la projection de corps étrangers dans les yeux et ainsi causer des lésions oculaires graves. Avant d'utiliser un outil électrique, veillez à toujours porter des lunettes de sécurité couvrantes ou à écrans latéraux, ou un masque complet au besoin. Nous recommandons le port d'un masque de sécurité panoramique par-dessus les lunettes ou de lunettes de sécurité standard avec écrans latéraux. Portez toujours des lunettes de sécurité conformes à la norme ANSI Z87.1.

CONSIGNES DE SÉCURITÉ

Vous trouverez ci-dessous les symboles de sécurité qui peuvent être présents sur le produit, accompagnés de leur description. Vous devez lire, comprendre et suivre toutes les instructions présentes sur l'appareil avant de commencer à l'assembler ou à le manipuler.

	Alerte de sécurité	Indique un risque de blessures.
	Assurez-vous de lire et de comprendre le guide d'utilisation	Afin de réduire les risques de blessure, l'utilisateur doit lire et comprendre le guide d'utilisation avant d'utiliser ce produit.
	Portez des lunettes de sécurité.	Portez toujours des lunettes de protection ou des lunettes de sécurité avec écrans latéraux et un écran facial intégral lors de l'utilisation de ce produit.
	Portez des gants de protection	Protégez vos mains avec des gants lorsque vous manipulez des lames. Des gants antidérapants résistants améliorent votre prise en main et protègent vos mains.
	Ricochet	Les objets projetés peuvent ricocher et causer des blessures ou des dommages matériels.
	Symboles de recyclage	Le produit fonctionne à l'aide de piles au lithium-ion (Li-ion). La législation locale, provinciale ou fédérale peut interdire la mise au rebut des piles dans les ordures ménagères. Consultez l'organisme local de gestion des déchets au sujet des options de mise au rebut ou de recyclage.
IPX4	Indice de protection	Protection contre les éclaboussures d'eau

V	Volt	Tension
mm	Millimètre	Longueur ou taille
in.	Pouce	Longueur ou taille
kg	Kilogramme	Poids
lb	Livre	Poids
°C	Température en Celsius	Température
°F	Température en Fahrenheit	Température

CONSIGNES DE SÉCURITÉ IMPORTANTES

⚠ AVERTISSEMENT : Lorsque vous utilisez des appareils électriques de jardinage, vous devez toujours suivre les consignes de sécurité élémentaires ci-dessous afin de réduire le risque d'incendie, de décharge électrique et de blessure.

LISEZ TOUTES LES INSTRUCTIONS

⚠ DANGER ! Ne vous fiez pas seulement à l'isolation de l'outil contre les chocs électriques. Pour réduire les risques d'électrocution, n'utilisez jamais l'outil à proximité de fils ou de câbles susceptibles de transporter du courant électrique.

⚠ MISE EN GARDE ! Portez une protection individuelle appropriée pour les oreilles pendant l'utilisation. Dans certaines conditions et durées d'utilisation, le bruit de ce produit peut contribuer à une perte auditive.

- **Tenez les enfants à l'écart** – Toutes les personnes présentes doivent être tenues à une distance d'au moins 30 mètres / 100 pieds de la zone de travail.
- **Évitez les environnements dangereux** – N'utilisez pas les appareils sur une pente humide ou mouillée.
- **Portez des vêtements appropriés** – Ne portez pas de bijoux ou de vêtements amples. Ils risqueraient d'être happés par des pièces mobiles. Il est recommandé de porter des gants en caoutchouc et des chaussures résistantes pour travailler à l'extérieur. Portez un chapeau ou une coiffe de protection si vous avez les cheveux longs.
- **Portez des lunettes de sécurité** – Portez toujours un masque facial ou un masque anti-poussière si l'opération soulève de la poussière.
- **Utilisez l'outil approprié** – N'utilisez pas l'outil pour d'autres travaux que ceux auxquels il est destiné.
- **Ne faites pas forcer l'accessoire de balayage à pales en caoutchouc** – Il sera plus efficace et plus sûr si vous le faites fonctionner à la vitesse pour laquelle il a été conçu.
- **Ne vous penchez pas de manière excessive** – Veillez à garder un bon équilibre et un appui stable, à tout moment.
- **Restez sur vos gardes** – faites attention à ce que vous faites. Faites preuve de bon sens. N'utilisez pas l'accessoire de balayage à pales en caoutchouc lorsque vous êtes dans un état de fatigue.

- **N'utilisez pas l'accessoire de balayage à pales en caoutchouc sous l'influence de l'alcool ou de drogues.**
- **Laissez les protections en place et maintenez-les en bon état de fonctionnement.**

⚠ AVERTISSEMENT ! Pour réduire les risques de blessures, n'utilisez pas l'appareil sans protections en place.

- **Tenez vos mains et vos pieds éloignés de la zone d'action de l'outil.**
- **Entreposez l'accessoire de balayage à pales en caoutchouc à l'intérieur** – Lorsqu'il n'est pas utilisé, l'outil doit être entreposé à l'intérieur dans un endroit sec, en hauteur ou fermé à clé, hors de portée des enfants, en ayant retiré le bloc-piles de l'appareil.
- **Entretenez l'accessoire de balayage à pales en caoutchouc avec soin** – Maintenez-le propre pour de meilleures performances et pour réduire le risque de blessures. Suivez les instructions pour changer d'accessoire. Gardez les poignées sèches, propres et exemptes d'huile et de graisse.
- **Contrôlez les pièces endommagées** – Avant de commencer à utiliser votre accessoire de balayage à pales en caoutchouc, examinez les dispositifs de protection et toutes les autres pièces pour vous assurer qu'aucune n'est endommagée et que tout fonctionnera toujours correctement conformément à l'usage prévu. Vérifiez l'absence de problème d'alignement ou de blocage des pièces mobiles, de casse des pièces, de problème de fixation et tout défaut risquant d'affecter le fonctionnement de l'outil. Une protection ou toute autre pièce endommagée doit être correctement réparée ou remplacée par un centre de service après-vente agréé, sauf indication contraire dans ce mode d'emploi.
- **Dégagez la zone à nettoyer avant chaque utilisation.** Retirez tous les objets tels que les pierres, le verre brisé, les clous, les fils ou les ficelles qui peuvent être projetés par l'accessoire de balayage à pales en caoutchouc ou s'y emmêler. Assurez-vous que les autres personnes et les animaux de compagnie se tiennent à une distance d'au moins 5 m / 17 pi.
- **Tenez toujours l'appareil fermement, avec les deux mains sur les poignées, pendant l'utilisation. Enroulez vos doigts et vos pouces autour des poignées.**
- **Évitez tout démarrage accidentel** – Ne portez pas l'accessoire de balayage à pales en caoutchouc en tenant votre doigt sur la gâchette.

- **N'employez pas l'accessoire de balayage à pales en caoutchouc dans des atmosphères gazeuses ou explosives.** Les moteurs de ces appareils produisent normalement des étincelles qui peuvent enflammer les vapeurs.
- **Dommmages causés à l'accessoire de balayage à pales en caoutchouc**
– Si vous heurtez un corps étranger avec l'accessoire de balayage ou s'il s'est emmêlé, arrêtez immédiatement l'outil, vérifiez s'il est endommagé et faites réparer les dommages avant de poursuivre l'opération. N'utilisez pas l'outil si une protection est brisée.
- **Si l'équipement se met à vibrer anormalement, arrêtez le moteur et contrôlez immédiatement la cause.**
- **Remplacez immédiatement les pales en caoutchouc endommagées.** De tels éléments peuvent se briser en fonctionnant à haute vitesse et causer des blessures graves ou mortelles.
- **Contrôlez la fixation de l'accessoire de balayage à pales en caoutchouc à intervalles courts et réguliers pendant l'utilisation, ou immédiatement en cas de changement notable du comportement de balayage.**
- **Pour réduire le risque de blessure en cas de perte de contrôle, ne travaillez jamais sur une échelle ou sur tout autre support non sécurisé. Ne tenez jamais l'accessoire de balayage à pales en caoutchouc au-dessus de la hauteur de la taille.**
- **Ne chargez pas le bloc-piles sous la pluie ou dans des environnements humides.**
- Utilisez uniquement l'outil avec l'unité d'alimentation Lithium-ion 56V PH1400/PH1400-FC.
- **Ne jetez pas la pile au feu. Les cellules peuvent exploser.** Consultez la réglementation locale pour vérifier si d'éventuelles instructions spéciales d'élimination existent.
- **N'ouvrez pas et n'endommagez pas la pile.** L'électrolyte libéré est corrosif et peut endommager les yeux ou la peau. Il peut être toxique en cas d'ingestion.
- **Manipulez les piles avec précaution afin de ne pas les court-circuiter avec des matériaux conducteurs tels que les bagues, les bracelets et les clés.** La pile ou le conducteur peut surchauffer et provoquer des brûlures
- **Pièces de rechange** – Lors de toute réparation, n'utilisez que des pièces de rechange EGO identiques. L'utilisation de tout autre accessoire peut accroître le risque de blessures.

- **Les outils à piles n'ont pas besoin d'être branchés à une prise électrique ; ils sont donc toujours en état de fonctionnement.** Prenez conscience des dangers possibles même lorsque l'outil n'est pas en fonctionnement. Faites preuve de prudence lorsque vous effectuez des travaux d'entretien ou de maintenance.
- **Détachez ou déconnectez le bloc-piles avant d'entretenir, de nettoyer ou de retirer des débris de l'accessoire de balayage à pales en caoutchouc.**
- **Ne lavez pas l'appareil avec un tuyau d'arrosage ; évitez de faire entrer de l'eau dans le moteur et les connexions électriques.**
- **N'exposez pas un bloc-piles ou l'outil au feu ou à une température excessive.** L'exposition au feu ou une température supérieure à 100 °C / 212 °F peut provoquer une explosion.
- **Faites preuve de prudence et de bon sens lors de toute situation qui n'est pas abordée dans ce manuel. Communiquez avec le centre de service à la clientèle d'EGO pour obtenir de l'aide.**
- **Conservez ces instructions.** Consultez-les fréquemment et utilisez-les pour donner les consignes nécessaires à d'autres personnes susceptibles d'utiliser cet outil. Si vous prêtez cet outil à quelqu'un d'autre, prêtez-lui aussi ces instructions afin de prévenir un emploi non conforme du produit et tout risque de blessures.

REMARQUE : CONSULTEZ LE MODE D'EMPLOI DE VOTRE UNITÉ D'ALIMENTATION POUR CONNAÎTRE LES RÈGLES DE SÉCURITÉ SPÉCIFIQUES SUPPLÉMENTAIRES.

INTRODUCTION

Nous vous félicitons d'avoir choisi cet ACCESSOIRE DE BALAYAGE À PALES EN CAOUTCHOUC. Il a été conçu et fabriqué pour vous offrir la meilleure fiabilité et les meilleures performances.

Si vous éprouvez un problème que vous n'arrivez pas à régler facilement, **veuillez communiquer avec le centre de service à la clientèle d'EGO au 1 855 EGO-5656.**

Le présent guide contient des renseignements importants pour assembler, utiliser et entretenir en toute sécurité votre produit. Lisez-le soigneusement avant d'utiliser le produit. Conservez ce guide à portée de main afin de pouvoir le consulter à tout moment.

NUMÉRO DE SÉRIE _____ DATE D'ACHAT _____

NOUS VOUS RECOMMANDONS DE NOTER LE NUMÉRO DE SÉRIE ET LA DATE D'ACHAT ET DE LES CONSERVER EN LIEU SÛR AFIN DE POUVOIR LES CONSULTER ULTÉRIEUREMENT.

SPECIFICATIONS

Diamètre du tambour	270 mm / 10,6 po
Largeur de balayage	540 mm (21 po)
Température de fonctionnement	de -15 °C à -40 °C (de 5 °F à 104 °F)
Température de rangement	de -40 °C à -70 °C (de -40 °F à 158 °F)
Poids (protection comprise)	6,30 kg (13.89 lb)

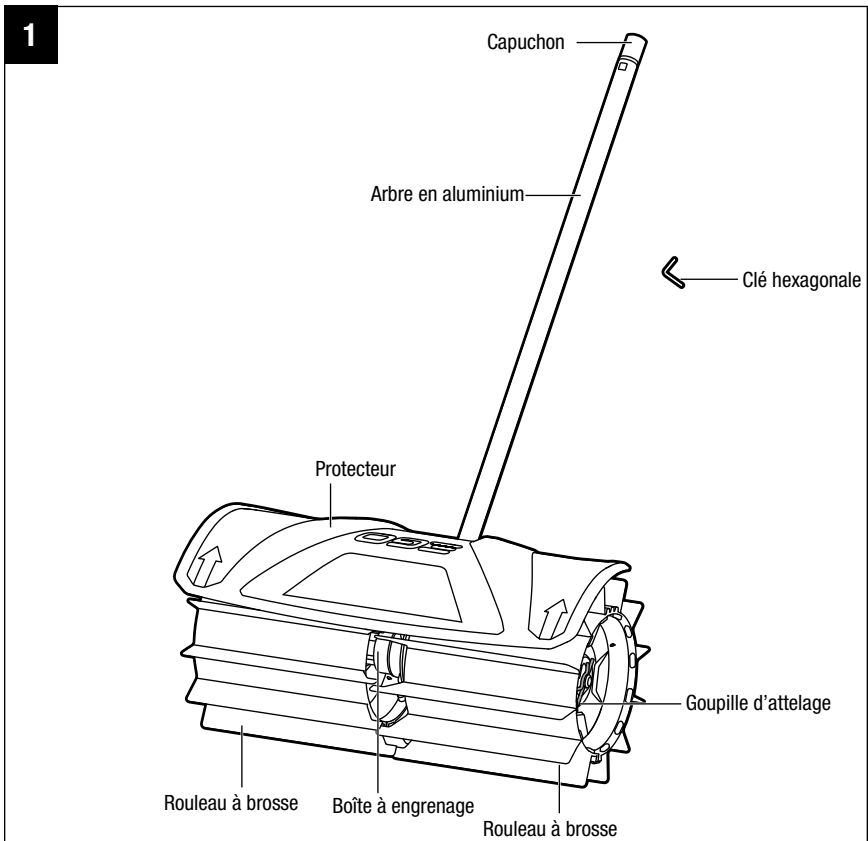
LISTE DES PIÈCES CONTENUES DANS L'EMBALLAGE

NOM DE PIÈCE	QUANTITÉ
Accessoire de balayage à pales en caoutchouc	1
Ensemble de pales en caoutchouc	2
Essieu moteur	2
Protecteur (avec boulon)	1
Clé hexagonale	1
Goupille d'attelage	2
Goupille de blocage	2
Guide d'utilisation	1

DESCRIPCIÓN

FAMILIARISEZ-VOUS AVEC VOTRE ACCESSOIRE DE BALAYAGE À PALES EN CAOUTCHOUC (Fig.1)

Pour utiliser ce produit en toute sécurité, vous devez comprendre les renseignements le concernant contenus dans ce guide d'utilisation et connaître le projet que vous entreprenez. Avant d'utiliser ce produit, familiarisez-vous avec toutes les caractéristiques de fonctionnement et consignes de sécurité.



⚠ AVERTISSEMENT : N'utilisez jamais l'outil si le protecteur n'est pas fixé fermement. Le protecteur doit toujours être installé sur l'outil pour protéger l'utilisateur.

Capuchon

Empêche l'entrée de saletés et de débris dans la tige lorsque l'outil n'est pas utilisé.

PROTECTEUR

Réduit le risque de blessures causées par la projection de corps étrangers vers l'arrière en direction de l'opérateur et par contact avec les pales en caoutchouc de l'accessoire de balayage.

GOUPILLE D'ATTELAGE

Fixe les ensembles de pales en caoutchouc de l'accessoire de balayage et simplifie leur retrait et leur installation.

ENSEMBLE DE PALES EN CAOUTCHOUC

Outil de balayage et de nettoyage

CLÉ HEXAGONALE

Utilisée pour assembler le protecteur en plastique.

ASSEMBLAGE

⚠ AVERTISSEMENT : S'il y a des pièces manquantes ou endommagées, ne tentez pas d'utiliser cet article tant que ces pièces n'auront pas été remplacées. Le fait d'utiliser cet article avec des pièces endommagées ou manquantes pourrait entraîner des blessures graves.

⚠ AVERTISSEMENT : Ne tentez pas de modifier cet article ou de créer des accessoires qui ne sont pas recommandés pour cet article. Toute modification est considérée comme un usage inapproprié et peut créer une situation dangereuse susceptible d'entraîner des blessures graves.

⚠ AVERTISSEMENT : Ne raccordez pas la brosse à soies à la tête d'alimentation avant la fin de l'assemblage. Le non-respect de ces consignes pourrait provoquer des mises en marche accidentelles ainsi que de graves blessures.

DÉBALLAGE

- Cet article doit être assemblé.
- Retirez soigneusement l'outil et toutes les pièces de l'emballage. Assurez-vous que toutes les pièces mentionnées sur la liste de l'emballage sont présentes.

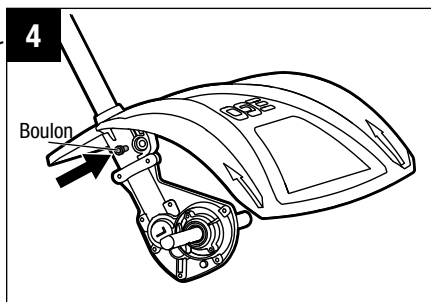
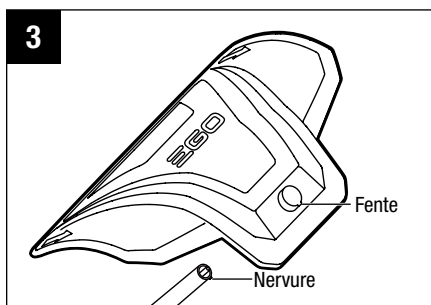
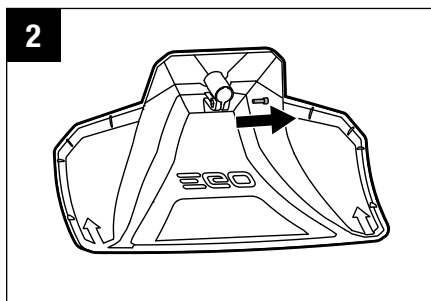
⚠ AVERTISSEMENT : N'utilisez pas ce produit si l'une ou l'autre des pièces figurant sur la liste des pièces est déjà assemblée à votre produit lors du déballage. Les pièces de cette liste ne sont pas assemblées au produit par le fabricant et doivent être installées par le client. L'utilisation d'un produit qui pourrait avoir été mal assemblé pourrait entraîner des blessures graves.

- Inspectez soigneusement l'outil pour vérifier qu'il n'a pas été endommagé pendant l'expédition.
- Ne jetez pas le matériel d'emballage avant d'avoir inspecté soigneusement la scie à chaîne et de l'avoir fait fonctionner de manière satisfaisante.
- S'il y a des pièces manquantes ou endommagées, veuillez retourner l'outil à l'endroit où vous l'avez acheté.

MONTAJE DE LA PROTECCIÓN

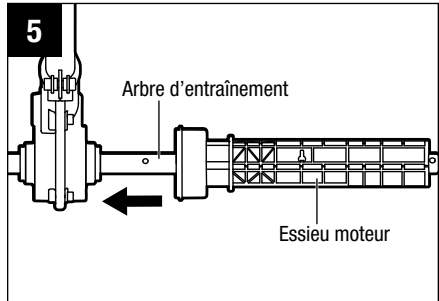
⚠ AVERTISSEMENT : Installez le protecteur avant de raccorder la brosse à soies amovible à la tête d'alimentation.

1. Desserrez et retirez le boulon du protecteur à l'aide de la clé hexagonale fournie (figure 2).
2. Relevez l'arbre de l'accessoire de balayage à pales en caoutchouc et retirez le capuchon d'extrémité de l'arbre.
3. En alignant la fente du protecteur sur la nervure située à l'extrémité du manche, insérez le protecteur dans le manche jusqu'à ce que les trous de vis du protecteur et du manche soient alignés (figures 3 et 4).
4. Utilisez la clé hexagonale fournie pour serrer le boulon dans le sens des aiguilles d'une montre afin de fixer fermement le protecteur.



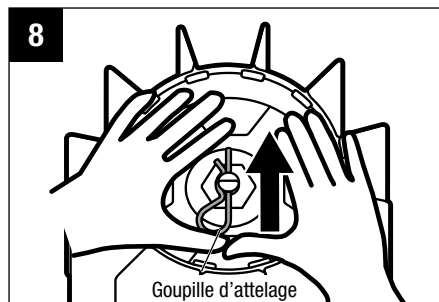
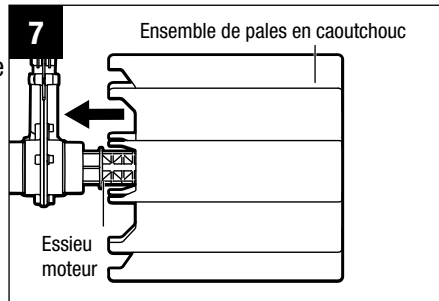
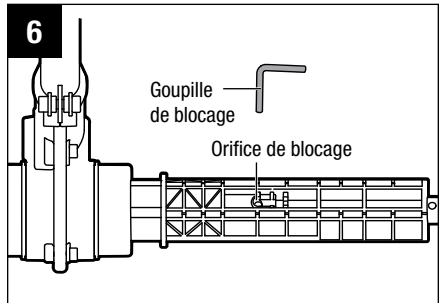
MONTAGE DES ENSEMBLES DE PALES EN CAOUTCHOUC

1. Poussez l'essieu moteur sur l'arbre d'entraînement (figure 5).
2. Pour fixer l'essieu moteur à l'arbre d'entraînement, insérez la goupille de blocage dans le trou de verrouillage.



REMARQUE : Vous devez installer la goupille de blocage correctement (figure 6).

3. Répétez ces étapes pour installer l'autre essieu moteur.
4. Poussez l'ensemble de pales en caoutchouc sur l'essieu moteur (voir Fig. 7).
5. Pour fixer le rouleau à brosse à l'essieu moteur, insérez la goupille d'attelage dans le trou de verrouillage (figure 8).
6. Suivez les mêmes étapes pour monter l'autre ensemble de pales en caoutchouc.



RACCORDEMENT DE LA BROSSE À SOIES AMOVIBLE À LA TÊTE D'ALIMENTATION

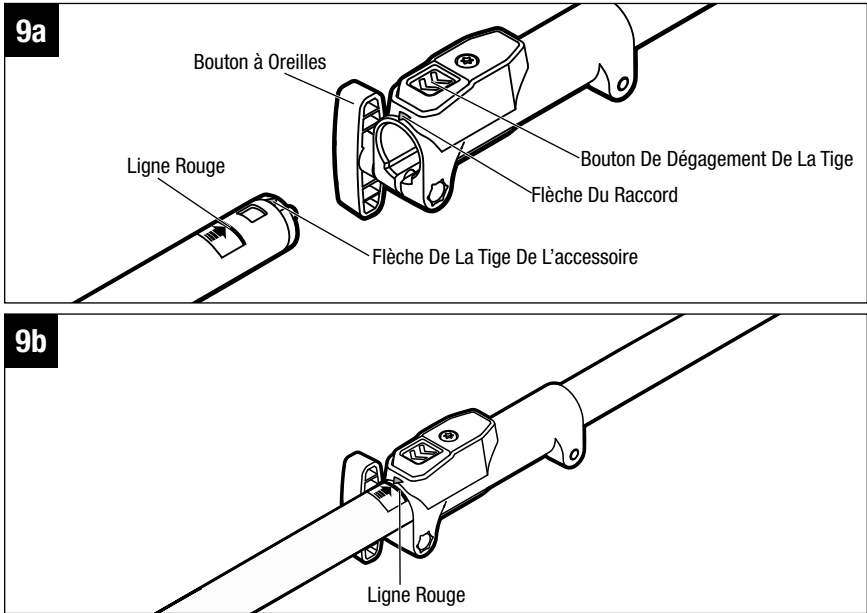
⚠ AVERTISSEMENT : Ne fixez ou n'ajustez jamais un accessoire si la tête d'alimentation est en marche ou si le bloc-piles est en place. Si vous n'arrêtez pas le moteur et ne retirez pas le bloc-piles, vous risquez de subir de graves blessures.

Cet accessoire de balayage à pales en caoutchouc est conçu pour être utilisé avec l'unité d'alimentation EGO PH1400/ PH1400-FC.

L'accessoire de balayage à pales en caoutchouc se connecte à l'unité d'alimentation par l'intermédiaire d'un dispositif d'accouplement.

1. Arrêtez le moteur et enlevez le bloc-piles.
2. Desserrez le bouton à oreilles du raccord de la tête d'alimentation.
3. Si l'embout se trouve sur le manche de l'accessoire, retirez-le et conservez-le pour une utilisation ultérieure. Alignez la flèche du manche de la brosse à soies sur la flèche du dispositif de raccord (figure 9a) et poussez le manche de la brosse à soies dans le dispositif jusqu'à ce qu'un déclic se fasse entendre. Le dispositif de raccord doit être enfoncé jusqu'à la **RED LINE** sur l'étiquette du manche : la ligne rouge doit être alignée sur le bord du dispositif de raccord (figure 9b).
4. Tirez sur le manche de la brosse à soies amovible pour vous assurer qu'il est bien verrouillé dans le dispositif de raccord. Si ce n'est pas le cas, faites tourner le manche de la brosse à soies d'un côté à l'autre dans le dispositif de raccord jusqu'à ce que vous entendiez un déclic net indiquant qu'il est emboîté.
5. Serrez fermement le bouton à oreilles.

⚠ AVERTISSEMENT : Assurez-vous que le bouton à oreilles du dispositif de raccord est serré fermement avant de manipuler l'outil. Inspectez-le régulièrement pendant l'utilisation pour vous assurer qu'il reste serré et pour prévenir des blessures graves.



RETIREZ LE TAILLE-BORDURE DE L'ENSEMBLE MOTEUR

1. Arrêtez le moteur et enlevez le bloc-pile.
2. Desserrez le bouton à oreilles du raccord.
3. Appuyez sur le bouton d'éjection du manche et, en le maintenant enfoncé, tirez ou tournez le manche de la brosse à soies amovible pour le séparer de la tête d'alimentation.

FONCTIONNEMENT

⚠ AVERTISSEMENT : Même si vous connaissez parfaitement ce produit, soyez vigilant. N'oubliez pas qu'une fraction de seconde d'inattention suffit à se blesser grièvement.

⚠ AVERTISSEMENT : Portez toujours des lunettes de sécurité conformes à la norme ANSI Z87.1. Sinon, vous pourriez recevoir des débris dans les yeux et vous blesser grièvement.

⚠ AVERTISSEMENT : N'utilisez pas de pièces ni d'accessoires qui ne sont pas recommandés par le fabricant de ce produit. L'utilisation de pièces ou d'accessoires non recommandés peut causer des blessures graves.

UTILISATIONS

Vous pouvez utiliser ce produit pour les types de travaux listés ci-dessous.

- Balayer les espaces et les chemins, déplacer les matériaux humides, tels que les feuilles ou la terre ;
- Déblayer la neige et retirer l'eau stagnante des surfaces solides.

REMARQUE : Pour réduire le risque de blessures, n'utilisez jamais l'outil si la protection n'est pas en place.

⚠ AVERTISSEMENT : Lorsque vous utilisez cet outil, habillez-vous convenablement pour réduire les risques de blessures. Ne portez pas de vêtements amples ni de bijoux. Portez des protections pour les yeux et les oreilles. Portez un pantalon long et épais, des bottes et des gants. Ne portez pas de pantalon court ni de sandales. N'utilisez pas l'outil lorsque vous êtes pieds nus.

Si la surface à nettoyer est sèche, vaporisez de l'eau sur la surface pour réduire la quantité de poussière créée.

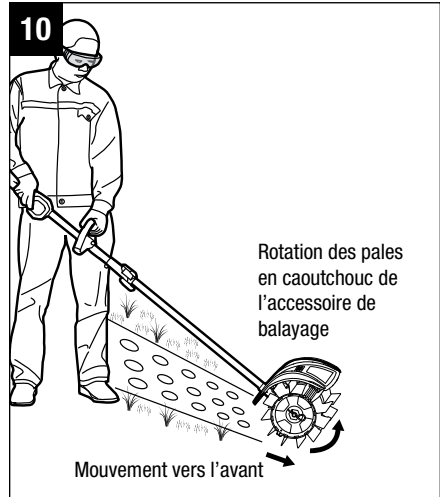
Vous devriez utiliser l'accessoire de balayage à pales en caoutchouc en le maintenant dirigé vers l'avant. Tenez l'accessoire de balayage à pales en caoutchouc des deux mains : une main sur la poignée arrière et l'autre sur la poignée avant ergonomique. Tenez fermement l'accessoire de balayage à pales en caoutchouc avec les deux mains pendant son utilisation.

Tenez et guidez l'accessoire de balayage à pales en caoutchouc selon un angle peu prononcé. Si l'accessoire de balayage à pales en caoutchouc est maintenu selon une inclinaison trop prononcée, il aura tendance à repousser les débris vers l'opérateur.

Tenez fermement l'outil et distribuez votre poids sur vos deux pieds (figure 10).

La projection de matériaux peut blesser gravement l'utilisateur ou un passant. Afin de réduire les risques de blessure, vous devez prendre les précautions suivantes :

- Tenez toujours la balayage à pales en caoutchouc à deux mains lorsque vous l'utilisez. Tenez fermement les deux poignées.
- Amenez l'accessoire de balayage à pales en caoutchouc sur la zone de travail avant de commencer puis démarrez l'outil à vitesse faible.
- Pour réduire le risque de blessure en cas de perte de contrôle, tenez et guidez l'accessoire de balayage à pales en caoutchouc selon un angle peu prononcé. Si l'accessoire de balayage à pales en caoutchouc est maintenu selon une inclinaison trop prononcée, il aura tendance à repousser les débris en direction de l'opérateur.



Avant chaque utilisation, vérifiez si des pièces sont endommagées ou usées.

Contrôlez les pales en caoutchouc, la protection, la poignée avant ergonomique et l'essieu moteur et remplacez toutes les pièces fissurées, déformées, tordues ou endommagées de quelque façon que ce soit.

Nettoyez l'accessoire de balayage à pales en caoutchouc après chaque utilisation

Des instructions pour le nettoyage de l'appareil se trouvent à la section Entretien.

⚠ AVERTISSEMENT : Assurez-vous que l'accessoire de balayage à pales en caoutchouc s'est complètement arrêté et que la pile est retirée avant de nettoyer ou d'entretenir l'accessoire de balayage. Le non-respect de cette consigne pourrait entraîner des blessures graves.

MISE EN MARCHÉ ET ARRÊT DE L'OUTIL

Consultez la section « **MISE EN MARCHÉ ET ARRÊT DE LA TÊTE D'ALIMENTATION** » du guide d'utilisation de la tête d'alimentation PH1400/ PH1400-FC.

ENTRETIEN

⚠ AVERTISSEMENT : Lors de toute réparation, n'utilisez que des pièces de rechange identiques. L'utilisation de toute autre pièce peut être dangereuse ou endommager le produit. Pour garantir la sécurité et la fiabilité, toutes les réparations doivent être effectuées par un technicien d'entretien qualifié.

⚠ AVERTISSEMENT : Les outils munis d'un bloc-pile n'ont pas besoin d'être branchés sur une prise de courant. Par conséquent, ils sont toujours prêts à l'emploi. Pour prévenir des blessures graves, prenez des précautions particulières lorsque vous effectuez l'entretien ou des réparations, ou lorsque vous remplacez le dispositif de coupe ou d'autres pièces.

⚠ AVERTISSEMENT : Pour prévenir les blessures graves, retirez le bloc-pile de l'ensemble moteur avant d'en effectuer l'entretien, de le nettoyer, de remplacer des accessoires ou lorsque le produit n'est pas utilisé.

ENTRETIEN GÉNÉRAL

Évitez d'utiliser des solvants sur les pièces en plastique. La plupart des plastiques sont susceptibles d'être endommagés par divers types de solvants commerciaux. Utilisez un linge propre pour enlever la saleté, la poussière, l'huile, la graisse, etc.

⚠ AVERTISSEMENT : Ne laissez-en aucun temps du liquide pour freins, de l'essence, des produits à base de pétrole, des huiles dégrippantes et autres produits de ce genre entrer en contact avec les pièces en plastique. Les produits chimiques peuvent endommager, affaiblir ou détruire le plastique et entraîner ainsi des risques de blessures graves.

⚠ AVERTISSEMENT : Lors du nettoyage de l'accessoire de balayage à pales en caoutchouc, NE l'immergez PAS dans l'eau ou d'autres liquides. Ne nettoyez pas votre machine avec un nettoyeur haute pression. La puissance du jet d'eau peut endommager les pièces de la machine.

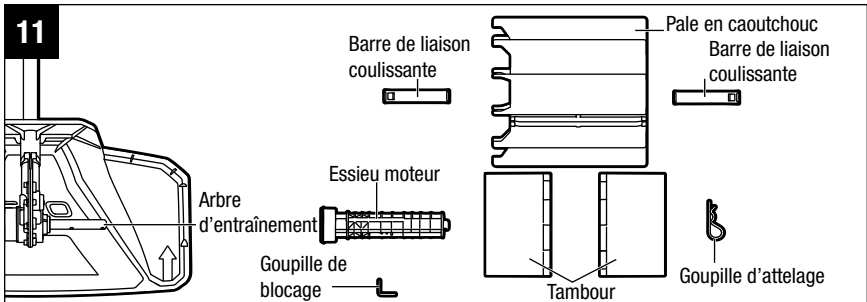
ENTRETIEN DE L'ACCESSOIRE DE BALAYAGE À PALES EN CAOUTCHOUC

- Nettoyage fréquent de l'accessoire de balayage à pales en caoutchouc.
- Si une pale en caoutchouc de l'accessoire de balayage est cassée et doit être remplacée, remplacez les deux ensembles de pales en caoutchouc pour de meilleures performances.

Toutes les réparations de l'accessoire de balayage à pales en caoutchouc non mentionnées dans les présentes instructions d'entretien doivent être effectuées par un personnel de service après-vente dûment habilité.

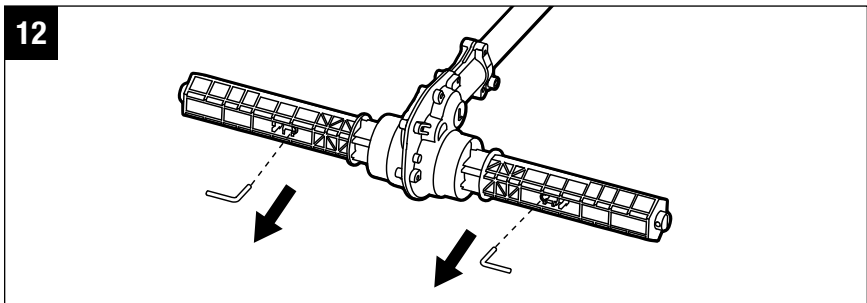
REPLACEMENT D'UN ENSEMBLE DE PALES DE BALAYAGE EN CAOUTCHOUC

⚠ AVERTISSEMENT : Un ensemble de pales de balayage en caoutchouc endommagé peut se briser en plusieurs morceaux après une utilisation prolongée, ce qui peut créer des projectiles dangereux. Les objets projetés peuvent causer des blessures graves. Inspectez les pales régulièrement et n'utilisez pas l'accessoire de balayage si des pales en caoutchouc sont usées ou endommagées.

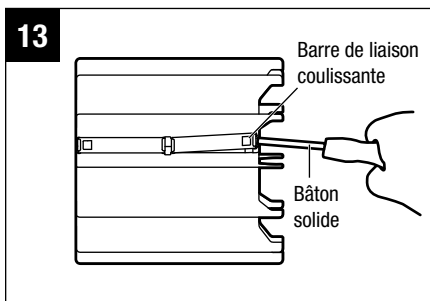


Pour le retrait

1. Portez des gants.
2. Retirez la goupille d'attelage de l'extrémité de l'essieu moteur (Fig. 11).
3. Tirez l'ensemble de pales de balayage en caoutchouc pour le sortir de l'essieu moteur.
4. Si l'essieu moteur est endommagé, retirez la goupille de blocage de l'orifice de l'essieu moteur et tirez l'essieu moteur pour le dégager de l'arbre d'entraînement (Fig. 12).



- Si une pale en caoutchouc ou le tambour est endommagé, retirez les deux barres de liaison de la pale en caoutchouc concernée à l'aide d'un outil solide (par exemple un tournevis à tête plate) (Fig. 13), puis séparez la pale en caoutchouc du tambour, et si des pièces sont endommagées, veillez à les remplacer.



⚠ AVERTISSEMENT : Protégez toujours vos mains en portant des gants épais.

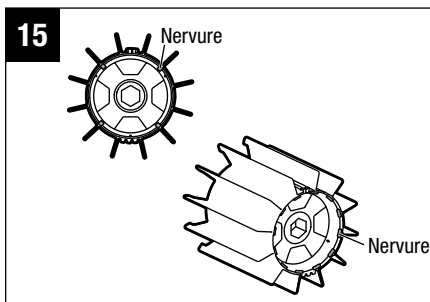
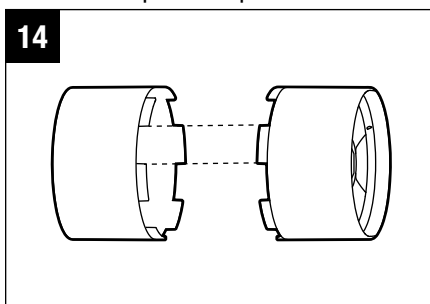
- Suivez les mêmes étapes pour retirer l'autre ensemble de pales de balayage en caoutchouc de l'accessoire de balayage.

Pour l'installation

⚠ AVERTISSEMENT : Protégez toujours vos mains en portant des gants épais.

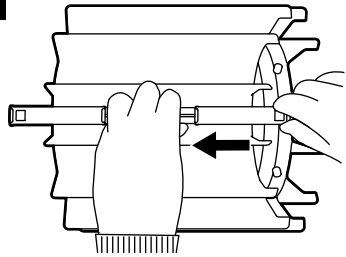
⚠ AVERTISSEMENT : N'attachez pas l'accessoire de balayage à une unité d'alimentation sans avoir installé correctement toutes les pièces requises. Si vous n'utilisez pas les pièces appropriées, l'outil risque d'être projeté et de blesser gravement l'opérateur ou les personnes présentes.

- Portez des gants.
- Montez l'essieu moteur sur l'arbre d'entraînement et insérez la goupille de blocage dans l'orifice de l'essieu moteur (Fig. 6).
- Assemblez le tambour en alignant la nervure d'une partie du tambour dans l'évidement de l'autre partie du tambour (Fig.14).
- Installez la pale en caoutchouc sur le tambour, veillez noter que les nervures réparties aux deux extrémités de la pale en caoutchouc doivent envelopper les deux bords du tambour (Fig.15).



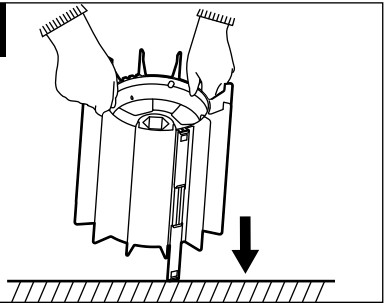
5. Pincez fermement les extrémités de la pale en caoutchouc d'une main et alignez la barre de liaison coulissante avec la rainure à l'aide de l'autre main (Fig. 16).

16



6. Pour éviter que l'extrémité supérieure de la barre de liaison coulissante ne glisse pendant le montage, il est recommandé de monter l'ensemble de pales de balayage en caoutchouc de manière à former un petit angle avec le sol (Fig.17).

17



REMARQUE : La barre de liaison coulissante doit pouvoir glisser jusqu'à la butée (Fig.18).

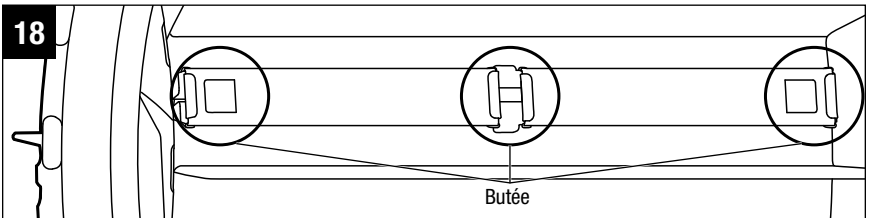
7. Fixez la pale en caoutchouc sur l'essieu moteur.

8. Insérez la goupille d'attelage dans l'orifice à l'extrémité de l'essieu moteur et repliez-la à plat.

9. Suivez les mêmes étapes pour monter l'autre ensemble de pales en caoutchouc.

⚠ AVERTISSEMENT : Remplacez toujours les deux ensembles de pales en caoutchouc de l'accessoire de balayage.

18



NETTOYER L'UNITÉ

- Retirez le bloc-piles.
- Nettoyez les fragments de racines, l'accumulation de terre ou de végétaux sur les pales en caoutchouc, la protection ou le boîtier d'entraînement de l'accessoire de balayage. Pour un nettoyage en profondeur, retirez les pales en caoutchouc et la protection pour les laver soigneusement. Pour plus de détails sur les étapes de remplacement, veuillez consulter la section « **REMPLACEMENT D'UN ENSEMBLE DE PALES DE BALAYAGE EN CAOUTCHOUC** » ci-dessus.
- Assurez-vous que les événements d'aération ne sont jamais obstrués.

RANGEMENT DE L'APPAREIL

- Retirez le bloc-piles de l'outil.
- Nettoyez soigneusement l'outil et inspectez les pales en caoutchouc de l'accessoire de balayage.
- Retirez l'accessoire de balayage à pales en caoutchouc de l'unité d'alimentation et couvrez l'arbre de l'accessoire avec le capuchon d'extrémité pour éviter que de la saleté ne pénètre dans l'accouplement.
- Rangez l'outil dans un endroit sec, bien aéré, surélevé ou verrouillé, et hors de portée des enfants. Ne rangez pas l'outil sur des engrais, de l'essence ou d'autres produits chimiques, ni à proximité de ces produits.

DÉPANNAGE

PROBLÈME	CAUSE	SOLUTION
<p>L'accessoire de balayage à pales en caoutchouc ne démarre pas.</p>	<ul style="list-style-type: none"> ■ Le bloc-piles n'est pas installé correctement dans la tête d'alimentation. ■ Il n'y a pas de contact électrique entre la tête d'alimentation et le bloc-piles. ■ Le bloc-piles est déchargé. ■ Le levier de blocage et la gâchette de la tête d'alimentation ne sont pas enclenchés simultanément. ■ Au-delà des raisons énoncées ci-dessus, la brosse à soies ne démarre toujours pas. ■ Le boîtier d'entraînement s'est bloqué. 	<ul style="list-style-type: none"> ■ Attachez le bloc-piles à l'unité d'alimentation. ■ Retirez le bloc-piles, vérifiez les contacts électriques, puis réinstallez le bloc-piles afin qu'il s'enclenche. ■ Chargez le bloc-piles avec un chargeur EGO indiqué dans ce guide. ■ Pour mettre en marche l'outil, maintenez le levier de blocage enfoncé lorsque vous appuyez sur la gâchette. ■ Communiquez avec le service à la clientèle d'EGO. ■ Retirez l'unité d'alimentation et faites tourner l'accessoire de balayage à pales en caoutchouc jusqu'à ce qu'il puisse tourner normalement.

PROBLÈME	CAUSE	SOLUTION
<p>L'accessoire de balayage à pales en caoutchouc est endommagé de manière visible.</p>	<ul style="list-style-type: none"> ■ Installez le bloc-piles sur la tête d'alimentation. 	<ul style="list-style-type: none"> ■ Communiquez avec le service à la clientèle d'EGO.
<p>L'accessoire de balayage à pales en caoutchouc s'arrête pendant le balayage.</p>	<ul style="list-style-type: none"> ■ Le moteur est surchargé. ■ Le bloc-piles ou la tête d'alimentation est trop chaud. ■ Le bloc-piles est débranché de l'outil. ■ Le bloc-piles est déchargé. ■ Au-delà des raisons énoncées ci-dessus, la brosse à soies ne démarre toujours pas. 	<ul style="list-style-type: none"> ■ Le moteur reprendra lorsque la charge sera retirée. Pour un fonctionnement constant, réduisez la charge imposée à l'accessoire de balayage à pales en caoutchouc. ■ Laissez le bloc-piles et la tête d'alimentation refroidir; leur température doit être inférieure à 67 °C (152 °F). ■ Réinstallez le bloc-piles. ■ Chargez le bloc-piles avec un chargeur EGO indiqué dans ce guide. ■ Communiquez avec le service à la clientèle d'EGO.

GARANTIE

POLITIQUE D'EGO EN MATIÈRE DE GARANTIE

Garantie limitée de 5 ans sur les équipements d'alimentation électrique d'extérieur EGO POWER+ et les équipements d'alimentation électrique portable pour un usage personnel et domestique.

Garantie limitée de 3 ans sur les blocs-piles et chargeurs du système EGO POWER+ pour un usage personnel et domestique.

Garantie limitée de 2 ans/1 an sur les équipements d'alimentation électrique d'extérieur, les équipements d'alimentation électrique portables, les blocs-piles et les chargeurs EGO pour un usage professionnel et commercial.

La durée et les détails de la garantie de chaque produit sont indiqués en ligne à l'adresse <http://egopowerplus.com/pages/warranty-policy>.

Veillez communiquer avec le service à la clientèle d'EGO au 1 855 EGO-5656 (numéro sans frais) pour toute question sur les réclamations au titre de la garantie.

GARANTIE LIMITÉE

Les produits EGO sont garantis contre tout défaut de matériel ou de fabrication à compter de la date d'achat d'origine pour la période de garantie applicable. Les produits défectueux recevront une réparation gratuite.

- a) Cette garantie s'applique uniquement à l'acheteur initial s'étant procuré le produit chez un détaillant EGO autorisé et est non transférable. La liste des détaillants EGO autorisés est publiée en ligne sur le site <http://egopowerplus.com/pages/warranty-policy>.
- b) La période de garantie pour les produits remis en état ou certifiés par l'usine utilisés à des fins résidentielles est de 1 an, et de 90 jours lorsqu'ils sont utilisés à des fins industrielles, professionnelles ou commerciales.
- c) La période de garantie pour les pièces d'entretien régulier, y compris, sans s'y limiter, les lames, les têtes de taille-bordure, les guides-chaînes, les chaînes de scie, les courroies, les barres de raclage, les buses de souffleur, ainsi que tous les autres accessoires EGO, est de 90 jours lorsqu'elles sont utilisées à des fins résidentielles et de 30 jours lorsqu'elles sont utilisées à des fins industrielles, professionnelles ou commerciales. Ces pièces sont couvertes contre les défauts de fabrication pour une période de 90 jours ou de 30 jours si elles sont utilisées dans des conditions de travail normales.

- d) La présente garantie n'est pas valide si le produit a été utilisé aux fins de location.
- e) La présente garantie ne couvre pas les dommages résultant d'une modification, d'une altération ou d'une réparation non autorisée.
- f) Cette garantie couvre uniquement les défauts survenant dans des conditions normales d'utilisation et ne couvre aucun dysfonctionnement ou défaut ni aucune défaillance découlant d'un usage inapproprié ou abusif (notamment la surcharge du produit et son immersion dans l'eau ou dans tout autre liquide), d'un accident, d'une négligence, d'une installation inadéquate et de tout entretien ou entreposage inadéquat.
- g) La présente garantie ne couvre pas la détérioration normale du fini extérieur, notamment les rayures, les bosselures, les craquelures de la peinture ou toute corrosion ou décoloration résultant de la chaleur, de produits abrasifs ou de nettoyeurs chimiques.

RÉCLAMATION AU TITRE DE LA GARANTIE

Pour faire une réclamation au titre de la garantie, veuillez communiquer avec le service à la clientèle d'EGO au **1 855 EGO-5656** (numéro sans frais). Lorsque vous faites une réclamation au titre de la garantie, vous devez présenter le reçu de vente original. Un centre de service autorisé sera sélectionné pour la réparation du produit conformément aux conditions de garantie prescrites. Il se peut qu'un petit dépôt soit exigé lorsque vous laissez votre outil dans un centre de service autorisé. Ce dépôt est remboursable lorsque le service de réparation est considéré comme étant couvert par la garantie.

RESTRICTIONS SUPPLÉMENTAIRES

Dans la mesure permise par la loi en vigueur, toutes les garanties implicites, y compris les garanties de QUALITÉ MARCHANDE ou D'ADÉQUATION À UN USAGE PARTICULIER, sont exclues. Toute garantie implicite, y compris la garantie de qualité marchande ou d'adéquation à un usage particulier, qui ne peut être rejetée en vertu de la loi de l'État ou de la province est limitée à la période de garantie applicable définie au début de cet article.

Chervon North America n'est pas responsable des dommages accessoires, consécutifs, indirects ou directs.

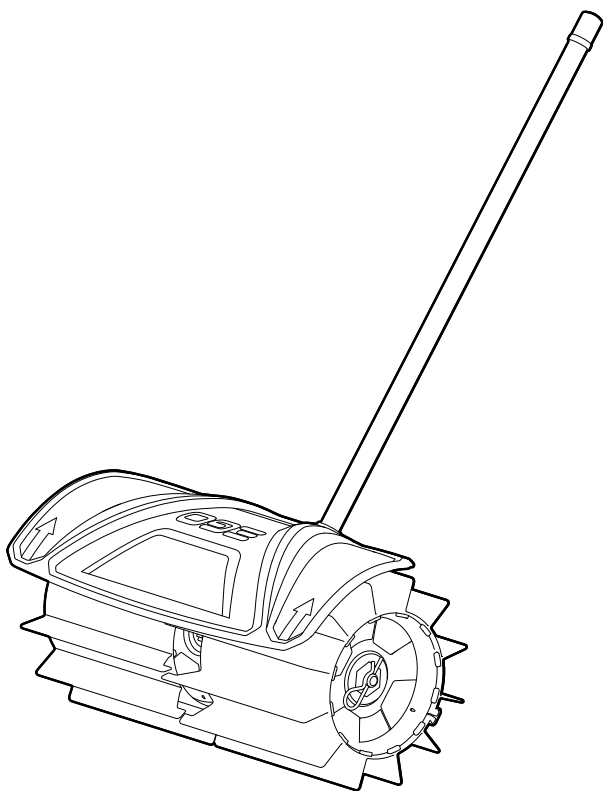
Certaines provinces n'autorisent pas les restrictions de durée de garantie implicite, ou l'exclusion ou la restriction des dommages consécutifs et accessoires; c'est pourquoi les restrictions ci-dessus peuvent ne pas s'appliquer à votre cas.

Cette garantie vous confère des droits précis. Il est possible que vous disposiez également d'autres droits, qui varient d'une province à l'autre.

Pour communiquer avec le service à la clientèle, veuillez composer le numéro sans frais suivant : **1 855 EGO-5656** ou consulter le site Web **EGOPOWERPLUS.COM**.

EGO Customer Service, 769 SEWARD AVE NW / Suite 102 Grand Rapids, MI 49504, États-Unis.

EGO™



PARA USO EXCLUSIVO CON EL
CABEZAL ELÉCTRICO EGO POWER+
PH1400/PH1400-FC

MANUAL DEL OPERADOR

ADITAMENTO DE ESCOBA DE CAUCHO

NÚMERO DE MODELO RBA2100/RBA2100-FC

⚠ ADVERTENCIA: para reducir el riesgo de lesiones, el usuario debe leer y comprender el Manual del usuario antes de usar este producto. Guarde estas instrucciones para consultarlas en el futuro.

ÍNDICE

Símbolos de seguridad	66
Instrucciones importantes de seguridad	67-71
Introducción	73
Especificaciones	74
Lista de empaque	74
Descripción	75-76
Ensamblaje	77-81
Funcionamiento	82-83
Mantenimiento	84-88
Solución de problemas	89-90
Garantía	91-92

¡LEA TODAS LAS INSTRUCCIONES!



LEA Y COMPRENDA EL
MANUAL DEL USUARIO

⚠ ADVERTENCIA: Parte del polvo producto del lijado, aserrado, esmerilado, taladrado y otras actividades de construcción, contiene sustancias químicas que el estado de California reconoce como causantes de cáncer, defectos congénitos u otros daños al sistema reproductor. Algunos ejemplos de estas sustancias químicas son los siguientes:

- Plomo de pinturas a base de plomo;
- Sílice cristalina de ladrillos, cemento y otros productos de mampostería; y
- Arsénico y cromo de madera tratada químicamente.

El riesgo de sufrir estas exposiciones varía según la frecuencia con que realice este tipo de trabajo. Medidas para reducir la exposición a estos químicos: trabaje en un lugar bien ventilado y con equipos de seguridad aprobados, como las mascarillas antipolvo que están diseñadas especialmente para filtrar partículas microscópicas.

SÍMBOLOS DE SEGURIDAD

El propósito de los símbolos de seguridad es alertarlo sobre posibles peligros. Los símbolos de seguridad y sus explicaciones merecen una atención y comprensión minuciosas. Las advertencias de los símbolos, por sí mismas, no eliminan los peligros. Las instrucciones y las advertencias no sustituyen las medidas de prevención de accidentes que correspondan.

⚠ ADVERTENCIA: Antes de utilizar esta herramienta, asegúrese de leer y comprender todas las instrucciones de seguridad en este Manual del usuario, incluidos todos los símbolos de alerta de seguridad como “**PELIGRO**”, “**ADVERTENCIA**” y “**PRECAUCIÓN**”. No seguir todas las instrucciones que se indican a continuación podría resultar en descargas eléctricas, incendios y/o lesiones personales graves.

SIGNIFICADO DE LOS SÍMBOLOS

⚠ SÍMBOLO DE ALERTA DE SEGURIDAD: Indica **PELIGRO**, **ADVERTENCIA** O **PRECAUCIÓN**. Puede aparecer junto con otros símbolos o pictografías.



⚠ ¡ADVERTENCIA! La utilización de herramientas eléctricas puede hacer que algunos objetos extraños golpeen los ojos y cause heridas graves. Antes de comenzar a operar una herramienta eléctrica, use siempre gafas protectoras o gafas de seguridad con blindaje lateral y un protector facial si es necesario. Le recomendamos usar una máscara de seguridad de visión amplia sobre anteojos o gafas de seguridad estándar con protección lateral. Use siempre lentes de protección con la marca de cumplimiento de la norma ANSI Z87.1.

INSTRUCCIONES DE SEGURIDAD

Esta página muestra y describe los símbolos de seguridad que pueden aparecer en este producto. Lea, comprenda y siga todas las instrucciones de la máquina antes de ensamblarla y utilizarla.

	<p>Alerta de seguridad</p>	<p>Indica un peligro potencial de lesiones corporales.</p>
	<p>Lea y comprenda el Manual del usuario</p>	<p>Para reducir el riesgo de lesiones, el usuario debe leer y comprender el Manual del operador antes de utilizar este producto.</p>
	<p>Use protección de los ojos</p>	<p>Use siempre anteojos de seguridad o gafas de seguridad con escudos laterales y una careta completa cuando utilice este producto.</p>
	<p>Use guantes protectores</p>	<p>Protéjase las manos con guantes cuando maneje hojas. Unos guantes antideslizantes gruesos mejorarán su agarre y le protegerán las manos.</p>
	<p>Rebote</p>	<p>Los objetos lanzados al aire pueden rebotar y causar lesiones corporales o daños materiales.</p>
	<p>Símbolos de reciclaje</p>	<p>Este producto utiliza baterías de iones de litio. Las leyes locales, estatales o federales podrían prohibir la eliminación de baterías en basureros comunes. Consulte con la autoridad reguladora de desechos local para obtener información sobre las opciones de reciclaje o eliminación disponibles.</p>
<p>IPX4</p>	<p>Grado de protección de admisión</p>	<p>Protección contra las salpicaduras.</p>

V	Voltio	Voltaje
mm	Milímetro	Largo o tamaño
in.	Pulgada	Largo o tamaño
kg	Kilogramo	Peso
lb	Libra	Peso
°C	Temperatura Celsius	Temperatura
°F	Temperatura Fahrenheit	Temperatura

INSTRUCCIONES IMPORTANTES DE SEGURIDAD

⚠ ADVERTENCIA! Al usar aparatos eléctricos de jardinería, siempre se deben tomar medidas de seguridad básicas para reducir el riesgo de incendios, descargas eléctricas o lesiones personales, incluidas las siguientes:

LEA TODAS LAS INSTRUCCIONES

⚠ ¡PELIGRO! No confíe en el aislamiento de la herramienta contra las descargas eléctricas. Para reducir el riesgo de electrocución, no utilice nunca la herramienta en las proximidades de alambres o cables que puedan llevar corriente eléctrica.

⚠ ¡PRECAUCIÓN! Use protección personal adecuada de la audición durante la utilización de la herramienta. En algunas condiciones y duraciones de uso, es posible que el ruido generado por este producto contribuya a la pérdida de audición.

- **Mantenga alejados a los niños:** Se deberá mantener a todos los visitantes a una distancia de al menos 100 pies del área de trabajo.
- **Evite los entornos peligrosos:** No utilice electrodomésticos en una pendiente húmeda o mojada.
- **Vístase adecuadamente:** No use ropa holgada ni joyas. La ropa holgada y las joyas pueden quedar atrapadas en las piezas móviles. Se recomienda usar guantes de caucho y calzado resistente cuando se trabaje a la intemperie. Use una cubierta protectora del pelo para sujetar el pelo largo.
- **Use anteojos de seguridad:** Use siempre una careta o una máscara antipolvo si la operación genera polvo.
- **Utilice la herramienta adecuada:** No utilice la herramienta para cualquier trabajo, excepto aquel para el cual está diseñada.
- **No fuerce la escoba de caucho:** Esta hará el trabajo mejor y con menos probabilidad de riesgo de lesiones a la velocidad para la que fue diseñada.
- **No intente alcanzar demasiado lejos:** Mantenga un apoyo de los pies y un equilibrio adecuados en todo momento.
- **Manténgase alerta:** Esté atento a lo que está haciendo. Use el sentido común. No utilice la escoba de caucho cuando esté cansado.
- **No utilice la escoba de caucho mientras esté bajo la influencia del alcohol o las drogas.**

- **Mantenga los protectores instalados en la posición correcta y en buenas condiciones de funcionamiento.**

⚠ ¡ADVERTENCIA! Para reducir el riesgo de lesiones a las personas, no utilice la unidad sin los protectores instalados en la posición correcta.

- **Mantenga las manos y los pies alejados del área de corte.**
- **Almacene la escoba de paletas de caucho en un lugar interior:** Cuando no se esté utilizando, la escoba de caucho se deberá almacenar en un lugar interior seco y elevado o cerrado con llave, con el paquete de batería retirado, fuera del alcance de los niños.
- **Mantenga la escoba de caucho con cuidado:** Mantenga limpio el aditamento de escoba de paletas de caucho para obtener el mejor rendimiento y reducir el riesgo de lesiones. Siga las instrucciones para cambiar accesorios. Mantenga los mangos secos, limpios y libres de aceite y grasa.
- **Compruebe si hay piezas dañadas:** Antes de seguir utilizando la escoba de caucho, un protector u otra pieza que presente daños se deberá comprobar cuidadosamente para determinar si funcionará correctamente y realizará su función prevista. Compruebe la alineación de las piezas móviles, si hay atoramiento de piezas móviles, si hay rotura de piezas, el montaje y cualquier otra situación que pueda afectar a su funcionamiento. Un protector u otra pieza que presente daños deberá ser reparado o reemplazado adecuadamente por un centro de servicio autorizado, a menos que se indique otra cosa en otro lugar de este manual.
- **Despeje el área que se vaya a cortar antes de cada uso.** Retire todos los objetos, tales como rocas, vidrio roto, clavos, alambres o hilos que puedan ser lanzados al aire o engancharse en el aditamento de escoba de caucho. Asegúrese de que otras personas y los animales domésticos estén al menos a 17 pies (5 m) de distancia.
- **Agarre siempre firmemente la unidad, con las dos manos en los mangos, mientras la esté utilizando. Envuelva los dedos y los pulgares alrededor de los mangos.**
- **Evite los arranques accidentales:** No transporte la escoba de caucho con el dedo en el gatillo.
- **No utilice la escoba de caucho en atmósferas gaseosas o explosivas.** Los motores de estos electrodomésticos normalmente generan chispas y las chispas podrían incendiar los vapores.

- **Daños a la escoba de caucho:** Si golpea un objeto extraño con la escoba de caucho o si esta se engancha, pare inmediatamente la herramienta, compruebe si hay daños y haga que cualquier daño sea reparado antes de intentar cualquier utilización adicional. No utilice la herramienta con un protector roto.
- **Si el equipo comienza a vibrar anómalamente, pare el motor y realice una comprobación inmediata para determinar la causa.**
- **Reemplace inmediatamente una escoba de caucho dañada.** Es posible que los aditamentos de este tipo se rompan en pedazos a alta velocidad y causen lesiones graves o mortales.
- **Compruebe el aditamento de escoba de caucho a intervalos cortos regulares durante su utilización o inmediatamente si hay un cambio notable en el comportamiento de barrido.**
- **Para reducir el riesgo de lesiones por pérdida de control, no trabaje nunca subido a una escalera de mano o sobre cualquier otro soporte inseguro. No agarre nunca el aditamento de escoba de caucho por encima de la altura de la cintura.**
- **No cargue el paquete de batería en la lluvia ni en lugares mojados.**
- Utilice la unidad solo con el cabezal motriz de ion litio de 56 V PH1400/PH1400-FC.
- **No deseche la batería en un fuego.** Es posible que las celdas exploten. Consulte los códigos locales para obtener posibles instrucciones especiales de eliminación.
- **No abra ni mutile la batería.** El electrolito liberado es corrosivo y es posible que cause daños en los ojos o la piel. Puede que sea tóxico si se traga.
- **Tenga cuidado al manejar las baterías para no cortocircuitarlas con materiales conductores tales como anillos, pulseras y llaves.** Es posible que la batería o el conductor se sobrecalienten y causen quemaduras.
- **Piezas de repuesto:** Cuando realice servicio de ajustes y reparaciones, utilice únicamente piezas de repuesto EGO idénticas. Es posible que la utilización de cualquier otro accesorio o aditamento aumente el riesgo de lesiones.
- **Las herramientas a batería no tienen que enchufarse en un tomacorriente; por lo tanto, siempre están en condiciones de funcionamiento.** Esté atento a los posibles peligros incluso cuando la herramienta no esté en funcionamiento. Tenga cuidado cuando realice mantenimiento o servicio de ajustes y reparaciones.

- **Retire o desconecte el paquete de batería antes de hacer servicio de ajustes y reparaciones, realizar limpieza o retirar material de la escoba de caucho.**
- **No lave la herramienta con una manguera; evite la entrada de agua en el motor y en las conexiones eléctricas.**
- **No exponga el paquete de batería ni la herramienta a un fuego o a una temperatura excesiva.** Es posible que la exposición a un fuego o a una temperatura superior a 212 °F (100 °C) cause una explosión.
- **Si ocurren situaciones que no estén cubiertas en este manual, tenga cuidado y aplique un criterio sensato. Contacte al Centro de Servicio al Cliente de EGO para obtener asistencia.**
- **Guarde estas instrucciones.** Consúltelas frecuentemente y utilícelas para instruir a otras personas que puedan utilizar esta herramienta. Si le presta esta herramienta a otra persona, préstele también estas instrucciones para evitar un uso incorrecto del producto y posibles lesiones.

NOTA: CONSULTE EL MANUAL DEL OPERADOR DE SU CABEZAL MOTRIZ PARA OBTENER NORMAS DE SEGURIDAD ESPECÍFICAS ADICIONALES.

INTRODUCCIÓN

Felicitaciones por su selección del ADITAMENTO DE ESCOBA DE CAUCHO. Este aditamento ha sido diseñado, concebido y fabricado para ofrecerle a usted la mejor confiabilidad y el mejor rendimiento posibles.

En caso de que tuviera algún problema que no pudiera resolver fácilmente, **póngase en contacto con el Centro de Servicio al Cliente de EGO llamando al 1-855-EGO-5656.**

Este manual contiene información importante para el ensamble, la operación y el mantenimiento seguro de su orilladora de hilo. Léalo atentamente antes de usar la orilladora de hilo. Mantenga este manual a mano para poder consultarlo en cualquier momento

NÚMERO DE SERIE _____ FECHA DE COMPRA _____

DEBE ANOTAR EL NÚMERO DE SERIE Y LA FECHA DE COMPRA Y CONSERVARLOS EN UN LUGAR SEGURO PARA CONSULTARLOS EN EL FUTURO.

ESPECIFICACIONES

Diámetro del tambor	10,6 pulgadas (270 mm)
Anchura de barrido	21 pulgadas (540 mm)
Temperatura de operación	5 °F-104 °F (-15 °C a 40 °C)
Temperatura de almacenamiento	-40 °F-158 °F (-40 °C a 70 °C)
Peso (incluyendo el protector)	13,89 lb (6,30 kg)

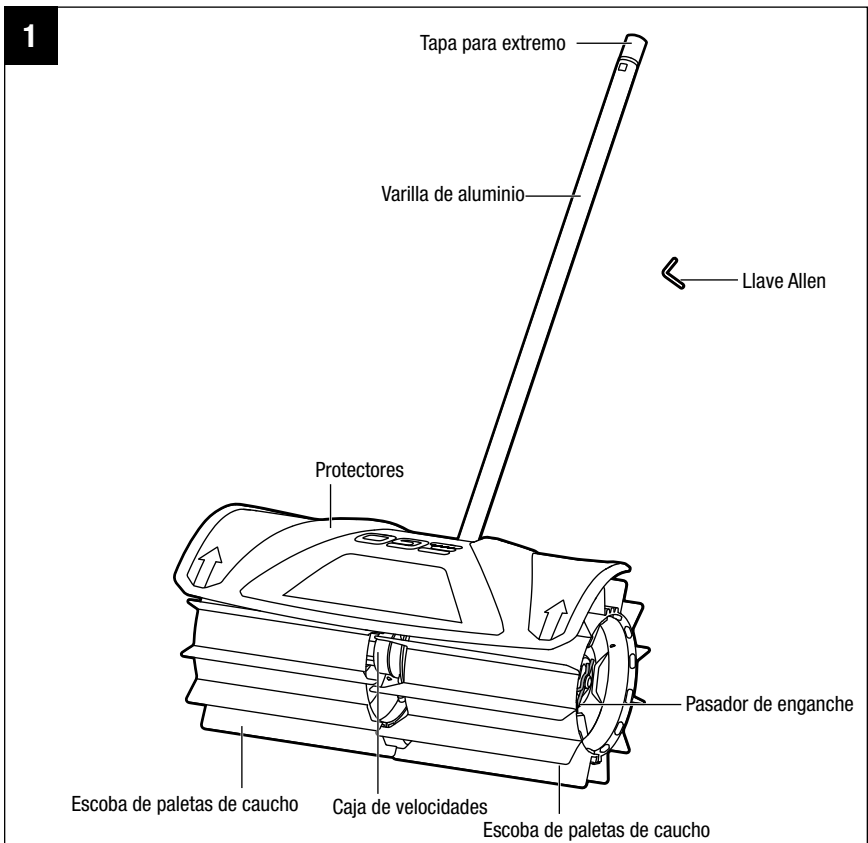
LISTA DE EMPAQUE

NOMBRE DE LA PIEZA	CANTIDAD
Aditamento de escoba de caucho	1
Escoba de paletas de caucho	2
Eje motor	2
Protector (con perno)	1
llave Allen	1
Pasador de enganche	2
Pasador de seguridad	2
Manual del operador	1

DESCRIPCIÓN

CONOZCA SU ADITAMENTO DE ESCOBA DE CAUCHO (Fig. 1)

El uso seguro de este producto requiere la comprensión de la información impresa en la herramienta y en el Manual del usuario, así como ciertos conocimientos sobre el proyecto a realizar. Antes de usar este producto, familiarícese con todas las características operativas y reglas de seguridad.



⚠ ADVERTENCIA: nunca opere la herramienta si la protección no está bien colocada en su lugar. La protección debe estar siempre en la herramienta para proteger al usuario.

TAPA PARA EXTREMO

Protege el mango del ingreso de polvo y desechos cuando la herramienta no se utiliza.

PROTECTORES

Reduce el riesgo de lesiones causadas por objetos extraños que salgan volando hacia atrás, hacia el operador, y por el contacto con las escobas de paletas de caucho.

PASADOR DE ENGANCHE

Sujeta firmemente las escobas de paletas de caucho y simplifica la remoción e instalación de dichas escobas.

ESCOBA DE PALETAS DE CAUCHO

Herramienta para barrido y remoción.

LLAVE ALLEN

Ensambla el protector de plástico.

ENSAMBLAJE

⚠ ADVERTENCIA: si hay piezas dañadas o faltan piezas, no utilice el producto hasta que las reemplace. Usar este producto con piezas dañadas o faltantes podría provocar lesiones personales graves.

⚠ ADVERTENCIA: No intente modificar este producto ni crear accesorios que no sean recomendados para utilizar con este producto. Cualquier alteración o modificación se considera un uso inapropiado y podría generar una condición peligrosa y provocar lesiones personales graves.

⚠ ADVERTENCIA: no conecte el cepillo de cerdas al cabezal de potencia hasta que el ensamble esté completo. La falta de cumplimiento puede provocar arranques accidentales y lesiones personales graves.

RETIRO DEL EMPAQUE

- Este producto requiere de ensamblado.
- Retire el producto y los accesorios de la caja cuidadosamente. Asegúrese de que todos los elementos que aparecen en la lista de empaque estén incluidos.

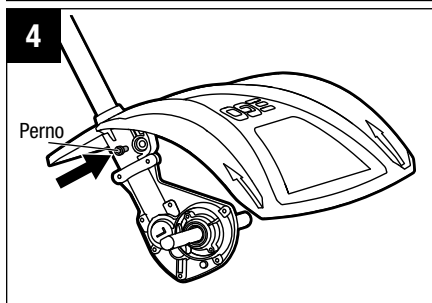
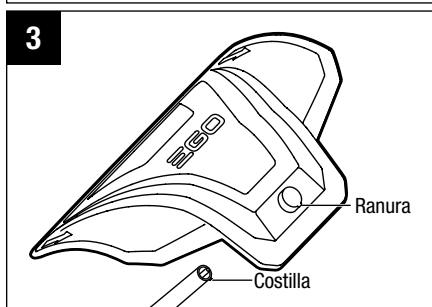
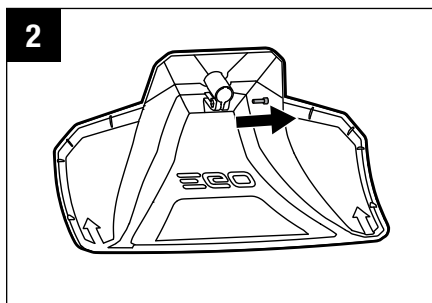
⚠ ADVERTENCIA: no use este producto si cualquiera de las piezas de esta lista de empaque ya está ensamblada al producto cuando lo desembale. El fabricante no ensambla las piezas de esta lista al producto y se requiere que el cliente lo haga. Si se usa un producto con piezas ensambladas incorrectamente, pueden producirse lesiones personales graves.

- Inspeccione cuidadosamente la herramienta para asegurarse de que no se produjo ninguna ruptura o daño durante su envío.
- No deseche el material de embalaje hasta que haya inspeccionado cuidadosamente y utilizado satisfactoriamente la herramienta.
- Si hay piezas faltantes o dañadas, devuelva este producto al lugar donde lo compró.

MONTAJE DE LA PROTECCIÓN

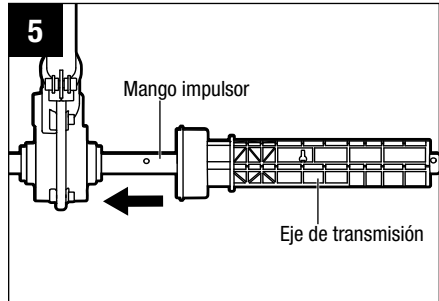
⚠ ADVERTENCIA: instale el protector antes de conectar el accesorio del cepillo de cerdas al cabezal de potencia.

1. Afloje y retire el perno del protector con la llave Allen provista (Fig. 2).
2. Levante la varilla del aditamento de escoba de caucho y retire la tapa de extremo de dicha varilla.
3. Con la ranura del mango alineada con el cordoncillo del extremo del mango, atraviese el protector con el mango hasta que se alineen los orificios para tornillos del protector y del mango (Fig. 3 y 4).
4. Use la llave Allen provista para apretar el perno en dirección de las manecillas del reloj y así asegurar el protector firmemente.



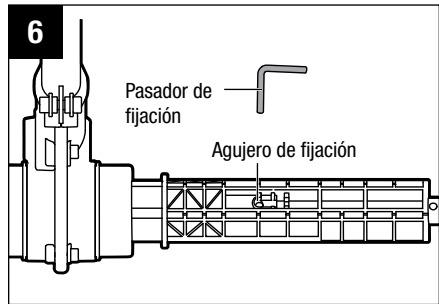
MONTAJE DE LAS ESCOBAS DE PALETAS DE CAUCHO

1. Presione el eje motor en el mango impulsor (Fig. 5).
2. Para asegurar el eje motor en el mango impulsor, inserte el pasador de seguridad en el orificio de bloqueo.

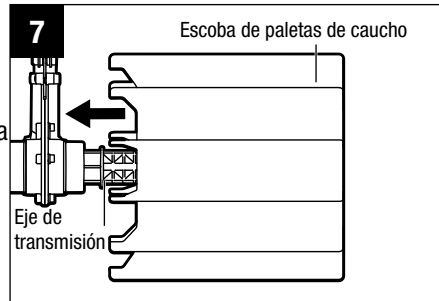


NOTA: el pasador de seguridad debe instalarse correctamente (Fig. 6).

3. Siga los mismos pasos para montar el otro eje motor.
4. Empuje la escoba de paletas de caucho sobre el eje de transmisión (vea la Fig. 7).
5. Inserte el pasador de enganche en el orificio de bloqueo para fijar el rodillo del cepillo en el eje motor. (Fig. 8).



6. Siga los mismos pasos para montar la otra escoba de paletas de caucho.



CÓMO CONECTAR EL ACCESORIO DEL CEPILLO DE CERDAS AL CABEZAL DE POTENCIA

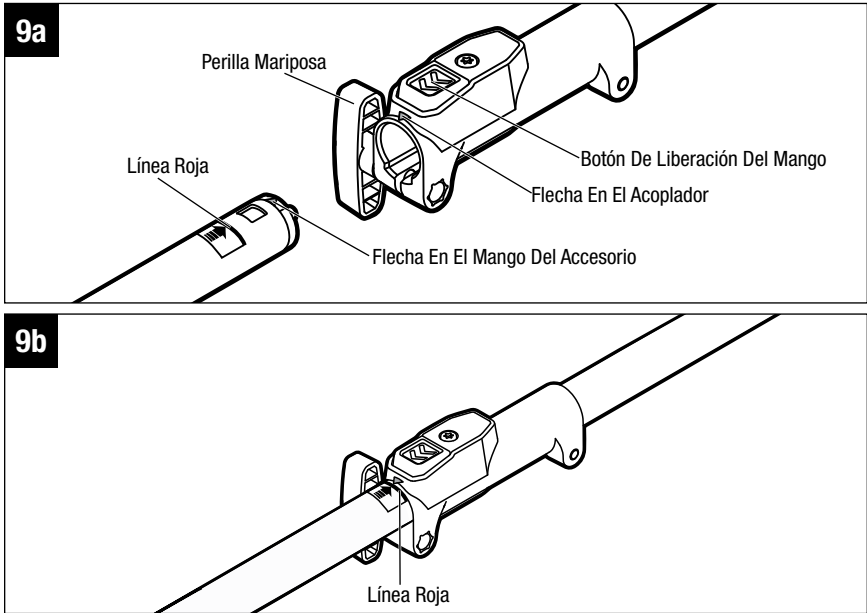
⚠ ADVERTENCIA: nunca coloque ni ajuste ningún accesorio si el cabezal de potencia está funcionando o con la batería instalada. No detener el motor ni retirar la batería puede ocasionar lesiones personales graves.

Este aditamento de escoba de caucho está diseñado para utilizarse con el cabezal motriz EGO PH1400/ PH1400-FC.

El aditamento de escoba de caucho se conecta al cabezal motriz por medio de un dispositivo acoplador.

1. Detenga el motor y retire el paquete de baterías.
2. Afloje la perilla mariposa del acoplador de cabezal de potencia.
3. Si la tapa para el extremo se encuentra en el mango del accesorio, quítela y guárdela para utilizarla posteriormente. Alinee la flecha en el mango del cepillo de cerdas con la flecha en el acoplador (Fig. 9a) y presione el mango del cepillo de cerdas hacia el acoplador hasta que escuche el sonido “CLIC”. El acoplador debe colocarse hasta la etiqueta con la LÍNEA ROJA en el mango: hasta que la marca de la línea roja quede alineada con el borde del acoplador (Fig. 9b).
4. Jale el mango del accesorio de cepillo de cerdas para verificar que esté firmemente asegurado en el acoplador. De no ser así, rote el mango del cepillo de cerdas de un lado a otro en el acoplador hasta escuchar un sonido claro de “CLIC” que indique que se ha enganchado.
5. Apriete firmemente la perilla mariposa.

⚠ ADVERTENCIA: asegúrese de que la perilla mariposa del acoplador esté completamente apretada antes de operar el equipo; inspecciónela periódicamente para comprobar que esté apretada durante el uso para evitar lesiones personales graves.



RETIRAR EL ACCESORIO DEL CABEZAL MOTOR

1. Detenga el motor y retire el paquete de baterías.
2. Afloje la perilla mariposa.
3. Presione el botón de liberación del mango y, con el botón presionado, jale y gire el mango del accesorio del cepillo de cerdas fuera del acoplador para separarlo del cabezal de potencia.

FUNCIONAMIENTO

⚠ ADVERTENCIA: no permita que familiarizarse con este producto lo vuelva imprudente. Recuerde que un descuido de una fracción de segundo es suficiente para ocasionar lesiones graves.

⚠ ADVERTENCIA: use siempre lentes de protección que cumplan con la norma ANSI Z87.1. De lo contrario, podría provocar que se disparen objetos hacia sus ojos y otras posibles lesiones graves.

⚠ ADVERTENCIA: no use ningún aditamento ni accesorio que no haya sido recomendado por el fabricante de este producto. El uso de aditamentos o accesorios diferentes a los recomendados podría provocar lesiones graves.

APLICACIONES

Puede usar este producto para los fines que se indican a continuación.

- Barrer áreas y senderos, mover materiales mojados, tales como hojas o suciedad;
- Quitar nieve y retirar agua estancada de superficies sólidas.

AVISO: Para reducir el riesgo de lesiones, no trabaje nunca sin el protector.

⚠ ADVERTENCIA: use ropa adecuada para reducir el riesgo de lesiones cuando opere esta herramienta. No use ropa holgada ni joyas. Use protección para los ojos y las orejas. Use pantalones largos para trabajo pesado, botas y guantes. No use pantalones cortos, sandalias, ni tenga los pies descalzos. Use una máscara o mascarilla antipolvo en lugares donde hay polvo.

Si la superficie que se limpiará está seca, rocíela con agua para reducir la cantidad de polvo generado.

Usted deberá trabajar con la escoba de caucho hacia delante. Agarre la escoba de caucho con una mano en el mango trasero y la otra mano en el mango auxiliar delantero. Mantenga un agarre firme con las dos manos mientras utiliza la escoba de caucho.

Agarre y guíe la escoba de caucho formando un ángulo pequeño. Si la escoba de caucho se agarra formando un ángulo demasiado pronunciado, tiende a empujar hacia atrás, hacia el operador.

Manténgase firme y en equilibrio con ambos pies (Fig. 10).

Los materiales arrojados pueden lesionar gravemente al operador o espectador. A fin de reducir el riesgo de lesiones personales, es fundamental tomar las siguientes precauciones:

- Sostenga siempre el cepillo de cerdas con ambas manos cuando lo utilice. Sujete ambas manijas con firmeza.
- Lleve la escoba de caucho hasta el área de trabajo antes de comenzar y arranque el cepillo de caucho a una velocidad más baja.
- Para reducir el riesgo de lesiones por pérdida de control, agarre y guíe la escoba de caucho formando un ángulo pequeño. Si la escoba de caucho se agarra formando un ángulo pronunciado, tiende a empujar hacia atrás, hacia el operador



Revise si hay piezas dañadas o desgastadas antes de cada uso.

Compruebe la escoba de caucho, el protector, el mango auxiliar delantero y el eje de transmisión, y remplace toda pieza que esté agrietada, arqueada, doblada o dañada de alguna manera.

Limpie la escoba de caucho después de cada uso

Para obtener instrucciones sobre la limpieza del producto, consulte la sección Mantenimiento.

⚠ ADVERTENCIA: Asegúrese de que la escoba de caucho se haya detenido por completo y que la batería se haya retirado antes de limpiarla o hacerle servicio de ajustes y reparaciones. Si no se cumple con esto, el resultado podría ser posibles lesiones corporales graves.

CÓMO ENCENDER/DETENER LA HERRAMIENTA

Consulte la sección "**CÓMO ENCENDER/DETENER EL CABEZAL DE POTENCIA**" en el manual del operador del cabezal de potencia PH1400-FC.

MANTENIMIENTO

⚠ ADVERTENCIA: Cuando haga servicio de ajustes y reparaciones, utilice únicamente piezas de repuesto idénticas. Es posible que la utilización de cualquier otra pieza cree un peligro o cause daños al producto. Para garantizar la seguridad y la confiabilidad, todas las reparaciones deberán ser realizadas por un técnico de servicio calificado.

⚠ ADVERTENCIA: Las herramientas a batería no necesitan estar conectadas a un enchufe, por lo tanto siempre se encuentran en condiciones de funcionar. Para evitar lesiones personales graves, tome precauciones adicionales y tenga cuidado al realizar mantenimiento, reparar o cambiar el accesorio de corte u otros accesorios.

⚠ ADVERTENCIA: Para evitar lesiones personales graves, retire siempre el paquete de baterías del cabezal motor antes de realizarle mantenimiento, limpiarlo, cambiar los accesorios adicionales o cuando el producto no está en uso.

MANTENIMIENTO GENERAL

Evite utilizar solventes para limpiar las piezas de plástico. La mayoría de los plásticos tienden a dañarse con los distintos tipos de solventes comerciales. Utilice un paño limpio para eliminar la suciedad, el polvo, el aceite, la grasa, etc.

⚠ ADVERTENCIA: Nunca deje que el líquido de frenos, la gasolina, los productos a base de petróleo, los aceites penetrantes, etc. entren en contacto con las piezas plásticas. Los productos químicos pueden dañar, debilitar o destruir el plástico, lo que puede resultar en lesiones graves.

⚠ ADVERTENCIA: Cuando limpie el aditamento de escoba de caucho, NO lo sumerja en agua ni otros líquidos. No limpie la máquina con una lavadora a presión. Es posible que el chorro compacto de agua dañe las piezas de la máquina.

MANTENIMIENTO DE LA ESCOBA DE CAUCHO

- Limpie frecuentemente la escoba de caucho.
- Si cualquiera de las dos escobas de paletas de caucho necesita reemplazo debido a que está rota, reemplace las dos escobas de paletas de caucho para obtener el mejor rendimiento.

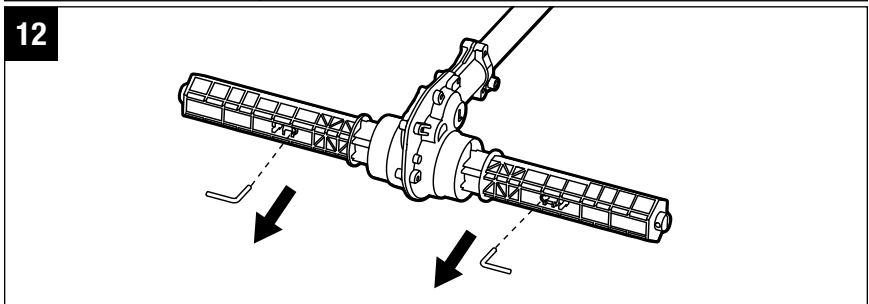
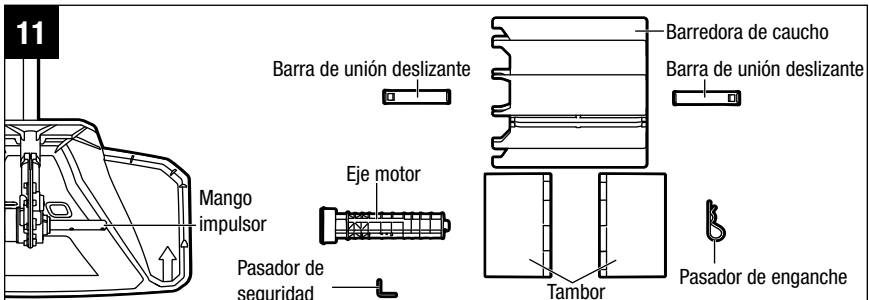
Todo el servicio de ajustes y reparaciones de la escoba de caucho, que no sean los elementos citados en estas instrucciones de mantenimiento, deberá ser realizado por personal de servicio autorizado.

REEMPLAZO DE LA ESCOBA DE PALETAS DE CAUCHO

⚠ ADVERTENCIA: Es posible que una escoba de paletas de caucho dañada se rompa en pedazos después de un uso prolongado, lo cual puede producir proyectiles peligrosos. Los objetos lanzados al aire pueden causar lesiones graves. Inspeccione regularmente la escoba de caucho y no la utilice con piezas desgastadas o dañadas.

Para retirar la escoba

1. Use los guantes.
2. Retire el pasador de enganche del extremo del eje de transmisión (Fig. 11).
3. Jale la escoba de paletas de caucho hasta retirarla del eje de transmisión.
4. Si el eje de transmisión está dañado, retire el pasador de fijación del agujero del eje de transmisión y jale dicho eje hasta separarlo del eje impulsado (Fig. 12).



5. Si la barredora de caucho o el tambor están dañados, retire las dos barras de unión deslizantes de la barredora de caucho utilizando una varilla robusta (como por ejemplo un destornillador de cabeza plana) (Fig. 13), luego separe la barredora de caucho del tambor y, si alguna pieza está dañada, sírvase reemplazarla.

⚠ ADVERTENCIA: Protéjase siempre las manos usando guantes gruesos.

6. Siga los mismos pasos para retirar la otra escoba de paletas de caucho.

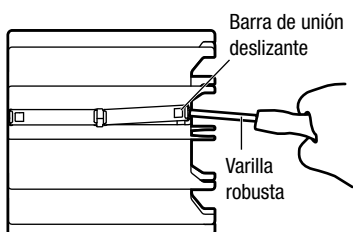
Para realizar la instalación

⚠ ADVERTENCIA: Protéjase siempre las manos usando guantes gruesos.

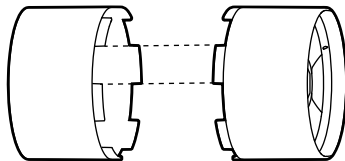
⚠ ADVERTENCIA: No instale ningún aditamento de barrido en una unidad sin instalar correctamente todas las piezas requeridas. Si no se usan las piezas adecuadas, es posible que el resultado sea que la herramienta, cuando esté en funcionamiento, sea lanzada al aire y lastime gravemente al operador o a las personas que estén presentes.

1. Use guantes.
2. Instale el eje de transmisión en el eje impulsado e inserte el pasador de fijación en el agujero ubicado en el eje de transmisión (Fig. 6).
3. Ensamble el tambor alineando la costilla de una parte del tambor en el agujero de la otra parte del tambor (Fig. 14).
4. Instale la barredora de caucho en el tambor. Por favor, tenga presente que las costillas distribuidas en ambos extremos de la barredora de caucho necesitan envolver los dos bordes del tambor (Fig. 15).

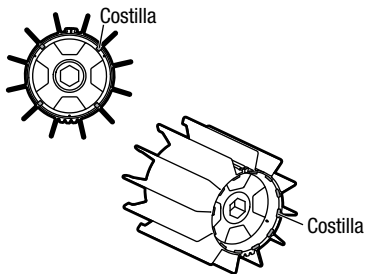
13



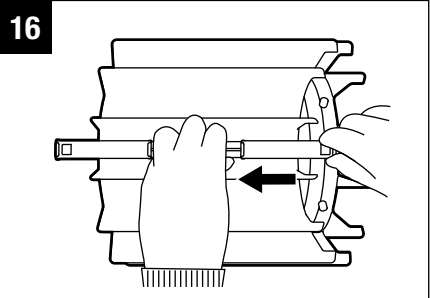
14



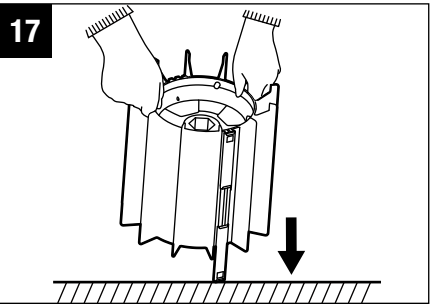
15



5. Pellizque firmemente los extremos de la barredora de caucho con una mano y alinee la barra de unión deslizante con la ranura utilizando la otra mano (Fig. 16).



6. Para impedir que el extremo superior de la barra de unión deslizante resbale y se separe durante el ensamblaje, se recomienda poner vertical la escoba de paletas de caucho y que forme un pequeño ángulo con el piso (Fig. 17).



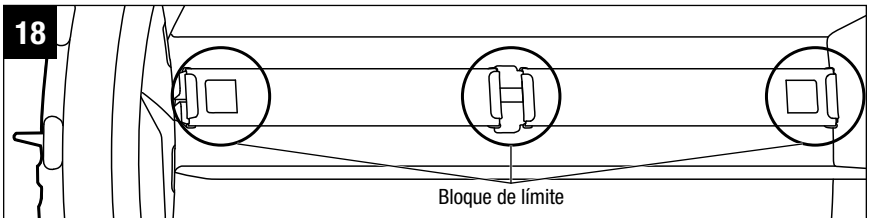
NOTA: Es necesario que la barra de unión deslizante se deslice hasta el bloque de límite (Fig. 18).

7. Instale la escoba de paletas de caucho en el eje de transmisión.

8. Inserte el pasador de enganche en el agujero ubicado en el extremo del eje de transmisión y pliéguelo en posición plana.

9. Siga los mismos pasos para montar la otra escoba de paletas de caucho.

⚠ ADVERTENCIA: Reemplace siempre ambas escobas de paletas de caucho.



LIMPIEZA DE LA UNIDAD

- Retire la batería.
- Limpie las piezas para eliminar raíces, tierra o plantas atoradas en las escobas de paletas de caucho, el protector o la caja de engranajes. Para realizar una limpieza minuciosa, retire las escobas de paletas de caucho y el protector para lavarlos meticulosamente. Para conocer los pasos detallados de reemplazo, sírvase consultar la sección que antecede “**REEMPLAZO DE LA ESCOBA DE PALETAS DE CAUCHO**”.
- Mantenga los conductos de ventilación libres de obstrucciones.

ALMACENAMIENTO DE LA UNIDAD

- Retire el paquete de baterías de la herramienta.
- Limpie minuciosamente la herramienta e inspeccione las escobas de paletas de caucho.
- Retire el aditamento de escoba de caucho del cabezal motriz y cubra la varilla del aditamento con la tapa de extremo para evitar que entre suciedad al acoplamiento.
- Almacene la herramienta en un lugar seco y bien ventilado, alto o con seguro y fuera del alcance de los niños. No almacene la unidad sobre o cerca de fertilizantes, gasolina u otros productos químicos.

SOLUCIÓN DE PROBLEMAS

PROBLEMA	CAUSA	SOLUCIÓN
La escoba de caucho no arranca.	<ul style="list-style-type: none"> ■ El paquete de baterías no está fijado correctamente al cabezal de potencia. ■ No hay contacto eléctrico entre el cabezal de potencia y el paquete de baterías. ■ El paquete de baterías está agotado. ■ La palanca de bloqueo y el interruptor no se presionaron simultáneamente. ■ Todavía no funciona más allá de los motivos antes mencionados. ■ La caja de engranajes estaba congelada. 	<ul style="list-style-type: none"> ■ Instale el paquete de batería en el cabezal motriz. ■ Retire la batería, revise los contactos y vuelva a instalar el paquete de baterías de modo que encaje en su lugar. ■ Cargue el paquete de baterías con un cargador EGO indicado en este manual. ■ Mantenga presionada la palanca de bloqueo y pulse el gatillo para encenderla. ■ Póngase en contacto con el Servicio al Cliente de EGO. ■ Retire el cabezal motriz y rote la escoba de caucho hasta que pueda rotar normalmente.
La escoba de caucho está dañada obviamente.	<ul style="list-style-type: none"> ■ Daño anormal durante el transporte o uso. 	<ul style="list-style-type: none"> ■ Póngase en contacto con el Servicio al Cliente de EGO.

PROBLEMA	CAUSA	SOLUCIÓN
La escoba de caucho se detiene mientras está cepillando.	<ul style="list-style-type: none">■ El motor está sobrecargado. ■ El paquete de baterías o el cabezal de potencia están muy calientes. ■ El paquete de baterías está desconectado de la herramienta. ■ El paquete de baterías está agotado. ■ Todavía no funciona más allá de los motivos antes mencionados.	<ul style="list-style-type: none">■ El motor se recuperará cuando se retire la carga. Para realizar trabajo continuo, reduzca la carga a la que se somete la escoba de caucho. ■ Deje que el paquete de baterías o que el cabezal de potencia se enfríen hasta que la temperatura caiga por debajo de los 67 °C (152 °F). ■ Vuelva a instalar el paquete de baterías. ■ Cargue el paquete de baterías con un cargador EGO indicado en este manual. ■ Póngase en contacto con el Servicio al Cliente de EGO.

GARANTÍA

POLÍTICA DE GARANTÍA

Garantía limitada de 5 años en equipos de energía para exteriores y energía portátil EGO POWER+ para uso doméstico personal.

Garantía limitada de 3 años en paquetes de baterías y cargadores con el Sistema EGO POWER+ para uso doméstico personal.

Garantía limitada de 2 años/1 año en equipos de energía para exteriores, energía portátil, paquetes de baterías y cargadores EGO para uso profesional y comercial.

Los períodos de garantía detallados por productos se pueden encontrar en línea en <http://egopowerplus.com/pages/warranty-policy>.

Póngase en contacto con Servicio al Cliente de EGO de manera gratuita al 1-855-EGO-5656, cuando tenga preguntas o reclamaciones de garantía.

GARANTÍA LIMITADA DE SERVICIO

Los productos EGO están garantizados contra defectos de material o de fabricación a partir de la fecha de compra original al por menor durante el período de garantía aplicable. El producto defectuoso será reparado gratuitamente.

- a) Esta garantía se aplica solo al comprador original del distribuidor minorista autorizado de EGO y podría no ser transferible. Los distribuidores minoristas autorizados de EGO se identifican en línea, en <http://egopowerplus.com/pages/warranty-policy>.
- b) El período de garantía para productos reacondicionados o certificados de fábrica que se utilizan para fines residenciales es de 1 año, para fines industriales, profesionales o comerciales es de 90 días.
- c) El período de garantía para piezas del mantenimiento de rutina, incluidas, entre otras, cuchillas, cabezales de orilladoras, listones de cadenas, cadenas de motosierras, correas, barras raspadoras, boquillas de sopladores y todos los demás accesorios EGO, es de 90 días con fines residenciales y de 30 días para propósitos industriales, profesionales o comerciales. Estas piezas tienen cobertura durante 90/30 días por defectos de fabricación en condiciones normales de trabajo.
- d) Esta garantía queda nula si el producto se ha puesto en alquiler.
- e) Esta garantía no cubre daños producto de modificaciones, alteraciones o reparaciones no autorizadas.

- f) Esta garantía solo cubre defectos que surjan del uso normal y no cubre el mal funcionamiento, las fallas ni los defectos que resulten del mal uso, el abuso (que incluye la sobrecarga del producto más allá de su capacidad y sumergirlo en agua o en cualquier otro líquido), accidentes, negligencia o falta de instalación adecuada y mantenimiento o almacenamiento inadecuados.
- g) Esta garantía no cubre el deterioro normal del acabado exterior, incluidos, entre otros, rayones, abolladuras, trozos de pintura o cualquier corrosión o decoloración producida por el calor o limpiadores químicos y abrasivos.

CÓMO OBTENER EL SERVICIO

Para obtener el servicio de garantía, póngase en contacto con Servicio al Cliente de EGO de manera gratuita al **1-855-EGO-5656**. Cuando pida un servicio cubierto por la garantía, debe presentar el recibo con la fecha original de venta. Un centro de servicio autorizado será seleccionado para reparar el producto de acuerdo con los términos establecidos en la garantía. Cuando lleve el producto al centro de servicio autorizado, es posible que deba hacer un pequeño depósito cuando deje la herramienta. Este depósito se reembolsará cuando se considere que el servicio de reparación se haya cubierto con la garantía.

LIMITACIONES ADICIONALES

En la medida en que la ley aplicable lo permita, se deniegan todas las garantías implícitas, inclusive las garantías de COMERCIALIZIDAD o IDONEIDAD PARA UN PROPÓSITO ESPECÍFICO. Todas las garantías implícitas, inclusive las garantías de comerciabilidad o idoneidad para un propósito específico, que no se puedan denegar bajo la ley estatal, están limitadas al período de garantía aplicable definido al comienzo de este artículo.

Chervon North America no se hará responsable por daños directos, indirectos, accidentales o resultantes.

Algunos estados no permiten limitaciones con respecto a la duración de una garantía implícita y/o no permiten la exclusión o limitación de daños accidentales o resultantes, de modo que las limitaciones antes descritas podrían no aplicarse en su caso.

Esta garantía le otorga derechos legales específicos, pero podría tener también otros derechos que varían según el estado.

Para obtener el servicio al cliente, póngase en contacto con nosotros de manera gratuita al: **1-855-EGO-5656** o visite: **EGOPOWERPLUS.COM**

EGO Customer Service, 769 SEWARD AVE NW / Suite 102 Grand Rapids, MI 49504