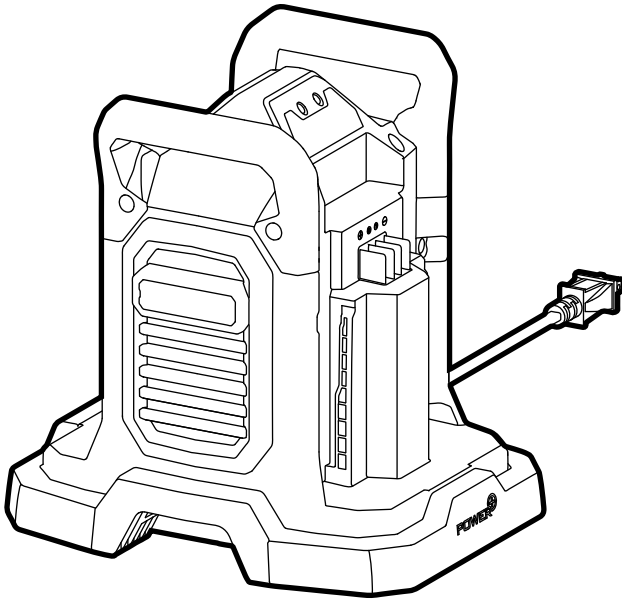


EGO™

POWER⁺ CHARGER



OPERATOR'S MANUAL

56-VOLT CHARGER

Français p. 21

Español p. 41

MODEL NUMBER CH2800D/CH2800D-FC

⚠ WARNING: To reduce the risk of injury, the user must read and understand the Operator's Manual before using this product. Save these instructions for future reference.



TABLE OF CONTENTS

FCC Statement	4
Safety Symbols	5
Safety Instructions	6-10
Introduction	11
Specifications	12
Description	13
Operation	14-16
Maintenance	17
Troubleshooting	18
Warranty	19-20

READ ALL INSTRUCTIONS!



READ & UNDERSTAND
OPERATOR'S MANUAL

This battery charger has many features for making its use more pleasant and enjoyable. Safety, performance, and dependability have been given top priority in the design of this product making it easy to maintain and operate.

⚠ WARNING: Some dust created by power sanding, sawing, grinding, drilling and other construction activities contains chemicals known to the state of California to cause cancer, birth defects or other reproductive harm. Some examples of these chemicals are:

- Lead from lead-based paints,
- Crystalline silica from bricks and cement and other masonry products, and
- Arsenic and chromium from chemically-treated lumber.

Your risk from these exposures varies, depending on how often you do this type of work. To reduce your exposure to these chemical: work in a well ventilated area, and work with approved safety equipment, such as those dust masks that are specially designed to filter out microscopic particles.


FCC STATEMENT

1. This device complies with Part 15 of the FCC Rules. Operation is subject to the following two conditions:
 - 1) This device may not cause harmful interference.
 - 2) This device must accept any interference received, including interference that may cause undesired operation.
2. Changes or modifications not expressly approved by the party responsible for compliance could void the user's authority to operate the equipment.


NOTICE: This equipment has been tested and found to comply with the limits for a Class B digital device, pursuant to Part 15 of the FCC Rules. These limits are designed to provide reasonable protection against harmful interference in a residential installation. This equipment generates, uses, and can radiate radio frequency energy and, if not installed and used in accordance with the instructions, may cause harmful interference to radio communications. However, there is no guarantee that interference will not occur in a particular installation. If this equipment does cause harmful interference to radio or television reception, which can be determined by turning the equipment off and on, the user is encouraged to try to correct the interference by one or more of the following measures: Reorient or relocate the receiving antenna. Increase the separation between the equipment and receiver. Connect the equipment into an outlet on a circuit different from that to which the receiver is connected. Consult the dealer or an experienced radio/TV technician for help.

SAFETY SYMBOLS

The purpose of safety symbols is to attract your attention to possible dangers. The safety symbols and the explanations with them deserve your careful attention and understanding. The symbol warnings do not, by themselves, eliminate any danger. The instructions and warnings they give are no substitutes for proper accident prevention measures.








 **WARNING:** Be sure to read and understand all safety instructions in this Operator's Manual, including all safety alert symbols such as "**DANGER**," "**WARNING**," and "**CAUTION**" before using this tool. Failure to following all instructions listed below may result in electric shock, fire, and/or serious personal injury.



 **WARNING:** The operation of any power tools can result in foreign objects being thrown into your eyes, which can result in severe eye damage. Before beginning power tool operation, always wear safety goggles or safety glasses with side shields and a full face shield when needed. We recommend a Wide Vision Safety Mask for use over eyeglasses or standard safety glasses with side shields. Always use eye protection which is marked to comply with ANSI Z87.1.

SAFETY INSTRUCTIONS

This page depicts and describes safety symbols that may appear on this product. Read, understand, and follow all instructions on the machine before attempting to assemble and operate.

	Safety Alert	Indicates a potential personal injury hazard.
	Read & Understand Operator's Manual	To reduce the risk of injury, user must read and understand the operator's manual before using this product. Failure to do so can result in serious injury to the operator and/or bystander.
	Eye Protection	Always wear safety goggles or safety glasses with side shields when operating this product that comply with ANSI Z87.1
	Wet Conditions Alert	Do not expose to rain or use in damp locations.
	Class II Construction	Double-insulated construction
V	Volt	Voltage
	Alternating Current	Type or a characteristic of current
	Direct Current	Type or a characteristic of current

A	Amperes	Current
Hz	Hertz	Frequency (cycles per second)
W	Watt	Power
min	Minutes	Time
kg	Kilogram	Weight
lb	Pound	Weight
°F	Fahrenheit temperature	Temperature
°C	Celsius temperature	Temperature

⚠ WARNING: Read and understand all instructions. Failure to follow all instructions listed below may result in electric shock, fire and/or serious personal injury.

The term “power tool” in all of warnings listed below refers to corded power tools or battery operated (cordless) power tools.

⚠ WARNING: To ensure safety and reliability, all repairs should be performed by a qualified service technician.

WORK AREA SAFETY

- **Keep the work area clean and well lit.** Cluttered or dark areas invite accidents.
- **Do not operate power tools in explosive environments, such as in the presence of flammable liquids, gases, or dust.** Power tools create sparks, which may ignite the dust or fumes.

ELECTRICAL SAFETY

- **Avoid body contact with grounded surfaces,** such as pipes, radiators, ranges, and refrigerators. There is an increased risk of electric shock if your body is grounded.
- **Power tool plugs must match the outlet.** Never modify the plug in any way. Do not use any adapter plugs with grounded power tools. Unmodified plugs and matching outlets will reduce the risk of electric shock.
- **Do not expose power tools to rain or wet conditions.** Water entering a power tool will increase the risk of electric shock.
- **Do not abuse the cord.** Never use the cord for carrying, pulling, or unplugging the power tool. Keep the cord away from heat, oil, sharp edges, or moving parts. Damaged or entangled cords increase the risk of electric shock.
- **When operating a power tool outdoors, use an extension cord suitable for outdoor use.** Use of a cord suitable for outdoor use reduces the risk of electric shock.
- Use charge the EGO lithium-ion battery packs list below:

CHARGER	BATTERY PACKS
CH2800D, CH2800D-FC	BA1120, BA1120-FC, BA1400, BA1400-FC, BA2240, BA2240-FC, BA2800, BA2800-FC, BA4200, BA4200-FC, BA1400T, BA1400T-FC, BA2800T, BA2800T-FC, BA4200T, BA4200T-FC, BA5600T, BA5600T-FC

SERVICE

- **Have your charger serviced by a qualified repair person using only identical replacement parts.** This will ensure that the safety of the charger is maintained.

- **When servicing a charger, use only identical replacement parts. Follow instructions in the Maintenance section of this manual.** Use of unauthorized parts or failure to follow Maintenance instructions may create a risk of shock or injury.

SAFETY INSTRUCTIONS FOR CHARGER

⚠ CAUTION: To reduce the risk of electric shock or damage to the charger and battery, charge only those lithium-ion rechargeable batteries specifically designated on your charger's label. Other types of batteries may burst, causing personal injury or damage.

- **Before using the battery charger**, read all instructions and cautionary markings in this manual and on the battery charger, the battery and the product using the battery to prevent misuse of the products and possible injury or damage.
- **Do not use the charger outdoors or expose it to wet or damp conditions.** Water entering the charger will increase the risk of electric shock.
- **Do not handle charger, including the charger plug and charger terminals with wet hands.**
- **Use of an attachment not recommended or sold by the battery-charger manufacturer may result in a risk of fire, electric shock, or injury to persons.**
- **Recharge only with the charger specified by the manufacturer.** A charger that is suitable for one type of battery pack may create a risk of fire when used with another battery pack.
- **Do not abuse the cord or charger.** Never use the cord to carry the charger. Do not pull the charger cord to disconnect the plug from a receptacle. Damage to the cord or charger could occur and create an electric shock hazard. Replace damaged cords immediately.
- **Make sure that the cord is located so that it will not be stepped on, tripped over, come in contact with sharp edges or moving parts, or otherwise be subjected to damage or stress.** This will reduce the risk of accidental falls, which could cause injury and damage to the cord, which could then result in electric shock.
- **Keep the cord and charger from heat to prevent damage to housing or internal parts.**
- **Do not allow gasoline, oils, petroleum-based products, etc. to come in contact with plastic parts.** These materials contain chemicals that can damage, weaken, or destroy plastic.

- **Do not operate the charger with a damaged cord or plug, which could cause shorting and electric shock.** If damaged, have the charger repaired or replaced by an authorized service technician at an EGO Service Center.
- **Do not operate the charger if it has received a sharp blow, been dropped, or has otherwise been damaged in any way.** Take it to an authorized service technician for an electrical check to determine if the charger is in good working order.
- **Do not disassemble the charger.** Take it to an authorized service technician when service or repair is required. Incorrect reassembly may result in a risk of electric shock or fire.
- **Unplug the charger from the electrical outlet before attempting any maintenance or cleaning to reduce the risk of electric shock.**
- **Disconnect charger from the power supply when not in use.** This will reduce the risk of electric shock or damage to the charger if metal items should fall into the opening. It will also help prevent damage to the charger during a power surge.
- **Risk of electric shock.** Do not touch the uninsulated portion of output connector or uninsulated battery terminal.
- This manual contains important safety and operating instructions for 56V Charger CH2800D/CH2800D-FC.
- To reduce the risk of injury, close supervision is necessary when an appliance is used near children.
- For a portable appliance – To reduce the risk of electrical shock, do not put charger in water or other liquid. Do not place or store appliance where or can fall or be pulled into a tub or sink.
- **Save these instructions.** Refer to them frequently and use them to instruct others who may use this tool. If you lend this tool to someone else, also lend these instructions to them to prevent misuse of the product and possible injury.

SAVE THESE INSTRUCTIONS!

INTRODUCTION

Congratulations on your selection of a new generation of EGO POWER+ 56V charger. It has been designed, engineered and manufactured to give you the best possible dependability and performance.

Should you experience any problem you cannot easily remedy, please contact EGO customer service center 1-855-EGO-5656.

This manual contains important information on to the safe assembly, operation and maintainance of your 56V charger. Read it carefully before using the charger. Keep this manual handy so you can refer to it at any time.

SERIAL NUMBER _____ DATE OF PURCHASE _____

YOU SHOULD RECORD BOTH SERIAL NUMBER AND DATE OF PURCHASE AND KEEP IN A SAFE PLACE FOR FUTURE REFERENCE.

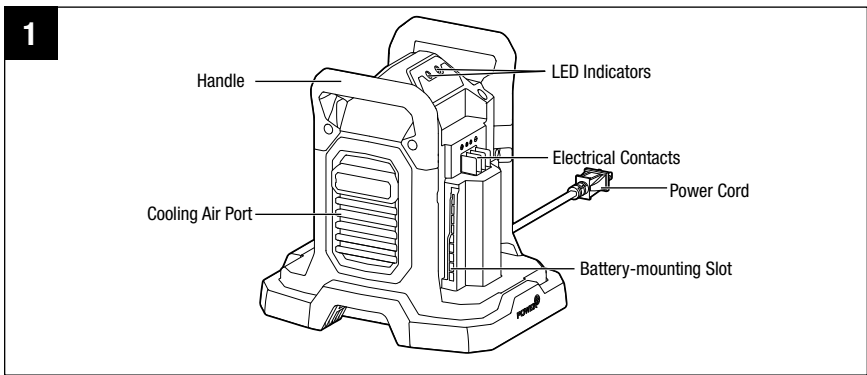
SPECIFICATIONS

Charger Input	120V~60Hz, 2x280W
Charger Output	56V, max. 4A, Li-ion type rechargeable portable battery pack
Charge Time	Approximately 30minutes for BA1120/BA1120-FC battery pack, 40 minutes for BA1400/BA1400-FC battery pack, 60minutes for BA2240/BA2240-FC battery pack, 80 minutes for BA2800/BA2800-FC battery pack, 120 minutes for BA4200/BA4200-FC battery pack, 40 minutes for BA1400T/BA1400T-FC battery pack, 80 minutes for BA2800T/BA2800T-FC battery pack, 120 minutes for BA4200T/BA4200T-FC battery pack, 160 minutes for BA5600T/BA5600T-FC battery pack
Recommended Ambient Temperature for Charging	41°F-104°F (5°C-40°C)
Charger Weight	5.7 lb. (2.6 kg)

DESCRIPTION

KNOW YOUR CHARGER (Fig. 1)

The safe use of this product requires an understanding of the information on the tool and in this operator's manual, as well as knowledge of the project you are attempting. Before using this product, familiarize yourself with all operating features and safety rules.



LED INDICATORS: Indicate the charging status.

BATTERY-MOUNTING SLOT: Guides the battery pack when it is installed on the charger.

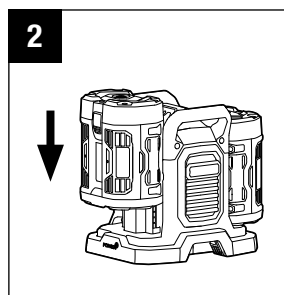
OPERATION

HOW TO CHARGE THE BATTERY PACK

⚠ WARNING: Do not use the charger outdoors or expose it to wet or damp conditions. Water entering the charger will increase the risk of electric shock.

NOTICE: Lithium-Ion battery packs are shipped partially charged. Before using it the first time, fully charge the battery pack.

1. Connect the charger to the power supply (120V~, 60Hz).
2. Align the raised ribs of the battery pack with the battery-mounting slots in the charger; slide the battery pack down onto the charger (Fig.2).



NOTICE: You can charge two batteries at the same time.

3. The charger will communicate with the battery pack to evaluate the condition of the battery pack.
4. When the battery pack is charging, the green LED on the charger will flash. The power indicator on the battery pack will flash in sequence: red, orange and green (For BA1120, BA1120-FC, BA1400, BA1400-FC, BA2240, BA2240-FC, BA2800, BA2800-FC, BA4200 and BA4200-FC). Or the last segment of 5-LED indicator on the battery pack will flash green (For BA1400T, BA1400T-FC, BA2800T, BA2800T-FC, BA4200T, BA4200T-FC, BA5600T and BA5600T-FC). The fan in the charger continuously works to cool the charger.
5. When the battery pack is fully charged, the charging indication LEDs on the charger will stop flashing and will shine green continuously. The power indicator on the battery pack will turn off. Remove the battery pack from the charger and disconnect the charger from the power supply.
6. The battery pack will fully charge if left on the charger, but it will not overcharge. If the battery pack remains on the charger for one month or more, it will perform self-maintenance and drop to 30% charge capacity. If this occurs, reinstall the battery pack on the charger to recharge it fully.

NOTICE:

- A significantly reduced run time after fully charging the battery pack indicates that the batteries are near the end of their usable life and must be replaced.
- The charger may warm during charging. This is part of the normal operation of the charger. Charge in a well-ventilated area.

LED FUNCTIONS OF CHARGER (when charging two batteries at the same time)

LED INDICATOR	BATTERY PACK	LEFT LED		RIGHT LED		POWER INDICATOR ON THE BATTERY PACK	ACTION
		RED	GREEN	RED	GREEN		
	Defective	Flashing	OFF	Flashing	OFF	OFF	Battery pack or charger is defective
	Cold/Hot Battery	Shine	OFF	Shine	OFF	OFF	Charging will begin when battery pack returns to 37°F(3°C)–135°F (57°C)
	Charging	OFF	Flashing	OFF	Flashing	Flashing RED, ORANGE and GREEN alternately or last LED flashing GREEN, the former LEDs shining solid GREEN	Charging
	Full Charged	OFF	Shine	OFF	Shine	OFF	Charging is complete. Maintenance charging.

CHARGING A HOT OR COLD BATTERY PACK

If the battery pack is out of the normal temperature range, the red LED will shine and the green LED will go off. When the battery pack cools down to approximately 135°F (57°C) or warms to more than 37°F (3°C), the charger will automatically begin charging.

DEFECTIVE BATTERY PACK OR CHARGER

If the charger detects a problem, the red LED will begin flashing and the green LED will go off.

1. If registering as defective, remove and reinsert the battery pack in the charger. If the LEDs still read “defective” a second time, try charging a different battery pack.
2. If a different battery pack charges normally, dispose of the defective battery pack (refer to the instructions in the battery pack manual).
3. If a different battery pack also indicates “defective”, unplug the charger and wait until the red LED goes out, then reconnect the plug to the power supply. If the red LED on charger still displays defective, the charge may be defective.

MAINTENANCE

⚠ WARNING: To avoid serious personal injury, always remove the battery pack from the tool when cleaning or performing any maintenance.

⚠ WARNING: When servicing, use only identical EGO replacement parts. Use of any other parts may create a hazard or cause product damage. To ensure safety and reliability, all repairs should be performed by a qualified service technician at an EGO Service Center.

⚠ WARNING: It is not recommended to use compressed dry air as cleaning method of the charger. If cleaning with compressed air is the only method to apply, always wear safety goggles or safety glasses with side shields. If the operation is dusty, also wear a dust mask.

GENERAL MAINTENANCE

Avoid using solvents when cleaning plastic parts. Most plastics are susceptible to damage from various types of commercial solvents and may be damaged by their use. Use clean cloths to remove dirt, dust, oil, grease, etc.

⚠ WARNING: Do not at any time let brake fluids, gasoline, petroleum-based products, penetrating oils, etc. to come in contact with plastic parts. Chemicals can damage, weaken or destroy plastic which may result in serious personal injury.

TROUBLESHOOTING

PROBLEM	CAUSE	SOLUTION
Charger doesn't work. LED flashes red or all the LEDs turn off.	Battery pack or charger is defective or bad connection between the battery pack and charger.	<ol style="list-style-type: none">1. Try to remove and reinsert the battery pack in the charger.2. Try charging a different battery pack.3. Unplug the charger and wait until the red LED goes out, then reconnect the plug to the power supply.
Charger doesn't work and LED shines red.	Battery pack is too hot or too cold.	Allow the battery pack to reach normal temperature. Charging will begin when battery pack returns to 37°F(3°C)-135°F(57°C).

WARRANTY

EGO WARRANTY POLICY

5-year limited warranty on EGO POWER+ outdoor power equipment and portable power for personal, household use.

3-year limited warranty on EGO POWER+ System battery packs and chargers for personal, household use.

2 year/1year limited warranty on EGO outdoor power equipment, portable power, battery packs, and chargers for professional and commercial use.

The detailed warranty periods by products can be found online at

<http://egopowerplus.com/pages/warranty-policy>.

Please contact EGO Customer Service Toll-Free at 1-855-EGO-5656 any time you have questions or warranty claims.

LIMITED SERVICE WARRANTY

EGO products are warranted against defects in material or workmanship from the date of original retail purchase for the applicable warranty period. Defective product will receive free repair.

- a) This warranty applies only to the original purchaser from an authorized EGO retailer and may not be transferred. Authorized EGO retailers are identified online at <http://egopowerplus.com/pages/warranty-policy>.
- b) The warranty period for reconditioned or factory certified products used for residential purpose is 1 year, for industrial, professional or commercial purpose is 90 days.
- c) The warranty period for routine maintenance parts, such as, but not limited to, blades, trimmer heads, chain bars, saw chains, belts, scraper bars, blower nozzles, and all other EGO accessories is 90 days for residential purpose, 30 days for industrial, professional or commercial purpose. These parts are covered for 90/30 days from manufacture defects in normal working conditions.
- d) This warranty is void if the product has been used for rental purpose.
- e) This warranty does not cover the damage resulting from modification, alteration or unauthorized repair.



- f) This warranty only covers defects arising under normal usage and does not cover any malfunction, failure or defect resulting from misuse, abuse (including overloading of the product beyond capacity and immersion in water or other liquid), accidents, neglect or lack of proper installation, and improper maintenance or storage.
- g) This warranty does not cover normal deterioration of the exterior finish, including but not limited to scratches, dents, paint chips, or to any corrosion or discoloring by heat, abrasive and chemical cleaners.

HOW TO OBTAIN SERVICE

For warranty service, please contact EGO customer service toll-free at **1-855-EGO-5656**. When requesting warranty service, you must present the original dated sales receipt. An authorized service center will be selected to repair the product according to the stated warranty terms. When bringing your product to the authorized service center, there may be a small deposit that will be required when dropping off your tool. This deposit is refundable when the repair service is deemed to be covered under warranty.

ADDITIONAL LIMITATIONS

To the extent permitted by applicable law, all implied warranties, including warranties of MERCHANTABILITY or FITNESS FOR A PARTICULAR PURPOSE, are disclaimed. Any implied warranties, including warranties of merchantability or fitness for a particular purpose, that cannot be disclaimed under state law are limited to the applicable warranty period defined at the beginning of this article.

Chervon North America is not responsible for direct, indirect, incidental or consequential damages.

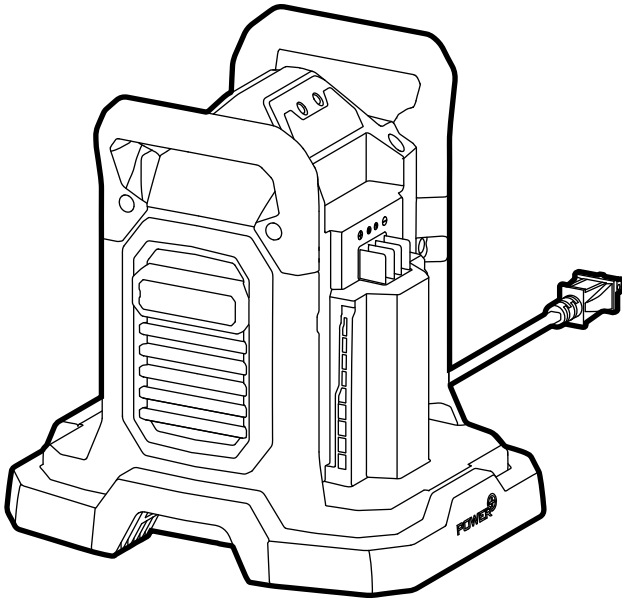
Some states do not allow limitations on how long an implied warranty lasts and/or do not allow the exclusion or limitation of incidental or consequential damages, so the above limitations may not apply to you.

This warranty gives you specific legal rights, and you may also have other rights which vary from state to state.

For customer service contact us toll-free at: **1-855-EGO-5656 or EGOPOWERPLUS.COM**. EGO Customer Service, 769 SEWARD AVE NW / Suite 102 Grand Rapids, MI 49504

EGO™

POWER⁺ CHARGER



GUIDE D'UTILISATION

CHARGEUR

DE 56 V

NUMÉRO DE MODÈLE CH2800D/CH2800D-FC

⚠ AVERTISSEMENT : Afin de réduire les risques de blessure, l'utilisateur doit lire et comprendre le guide d'utilisation avant d'utiliser ce produit. Conservez le présent guide afin de pouvoir le consulter ultérieurement.

TABLE DES MATIÈRES

Déclaration relative à la FCC	24
Symboles de sécurité	25
Consignes de sécurité	26-31
Introduction	32
Caractéristiques techniques	32
Description	33
Fonctionnement	34-36
Entretien	37
Dépannage	38
Garantie	39-40

LISEZ TOUTES LES INSTRUCTIONS!



ASSUREZ-VOUS DE LIRE ET DE
COMPRENDRE LE GUIDE D'UTILISATION

Ce chargeur est doté de nombreuses caractéristiques qui rendent son utilisation plus plaisante et agréable. Ce produit a été essentiellement conçu selon des critères de sécurité, de rendement et de fiabilité pour en faciliter l'entretien et le fonctionnement.

⚠ AVERTISSEMENT : La poussière créée par le ponçage, le sciage, le meulage, le perçage et autres activités de construction peut contenir des produits chimiques connus dans l'État de la Californie comme étant la cause de cancer, d'anomalies congénitales et d'autres problèmes du système reproducteur. Voici des exemples de ces produits chimiques :

- le plomb contenu dans la peinture au plomb;
- la silice cristallisée contenue dans les briques, le ciment et d'autres produits de maçonnerie;
- l'arsenic et le chrome contenus dans le bois d'œuvre traité avec des produits chimiques.

Les risques liés à l'exposition à ces produits varient en fonction de la fréquence à laquelle vous effectuez ce type de travail. Pour réduire votre exposition à ces produits chimiques, travaillez dans une zone bien ventilée et portez l'équipement de sécurité approuvé, comme les masques antipoussières conçus spécialement pour ne pas laisser passer les particules microscopiques.

DÉCLARATION RELATIVE À LA FCC

1. Cet appareil est conforme à la partie 15 des règlements de la FCC. Son fonctionnement est soumis aux deux conditions suivantes :
 - 1) L'appareil ne doit pas provoquer d'interférences nuisibles.
 - 2) L'appareil doit accepter toute interférence reçue, y compris des interférences susceptibles de causer un fonctionnement non désiré.
2. Tout changement ou toute modification non expressément approuvé par la partie responsable de la conformité peut annuler le droit de l'utilisateur à faire fonctionner l'équipement.

AVERTISSEMENT : Cet équipement a été testé et a été déclaré conforme aux restrictions pour dispositifs numériques de classe B en vertu de la partie 15 des règles de la FCC. Ces restrictions visent à offrir une protection raisonnable contre l'interférence nuisible d'une installation résidentielle. Cet équipement génère, utilise et peut émettre de l'énergie de fréquence radio et, s'il n'est pas installé et utilisé conformément aux instructions, il peut causer une interférence nuisible aux radiocommunications. Toutefois, il n'est pas garanti qu'une interférence ne puisse pas se produire dans une installation particulière. Si l'équipement cause une interférence nuisible à la réception radio ou télévisuelle, interférence qui peut être déterminée en allumant et en éteignant l'équipement, il est recommandé que l'utilisateur tente de corriger l'interférence en prenant au moins l'une des mesures suivantes : réorienter ou déplacer l'antenne de réception; augmenter la distance entre l'équipement et le récepteur; brancher l'équipement sur une prise de courant qui n'appartient pas au circuit sur lequel le récepteur est branché; consulter le vendeur ou un technicien spécialisé en audiovisuel pour obtenir de l'aide.

SYMBOLES DE SÉCURITÉ

L'objectif des symboles de sécurité est d'attirer votre attention sur les dangers potentiels. Vous devez examiner attentivement et bien comprendre les symboles de sécurité et les explications qui les accompagnent. Les symboles d'avertissement n'éliminent pas le danger d'eux-mêmes. Les consignes et les avertissements qui y sont associés ne remplacent en aucun cas les mesures préventives adéquates.

⚠ AVERTISSEMENT : Avant d'utiliser l'outil, assurez-vous de lire et de comprendre toutes les consignes de sécurité présentes dans ce guide d'utilisation, notamment toutes les consignes de sécurité indiquées par « **DANGER** », « **AVERTISSEMENT** » et « **ATTENTION** ». Le fait de ne pas respecter toutes les consignes de sécurité ci-dessous peut occasionner une décharge électrique, un incendie ou des blessures graves.










⚠ AVERTISSEMENT : L'utilisation de tout outil électrique peut entraîner la projection de corps étrangers dans les yeux et ainsi causer des lésions oculaires graves. Avant d'utiliser un outil électrique, veillez à toujours porter des lunettes de sécurité couvrantes ou à écrans latéraux, ou un masque complet au besoin.

Nous recommandons le port d'un masque de sécurité panoramique par-dessus les lunettes ou de lunettes de sécurité standard avec écrans latéraux. Portez toujours des lunettes de sécurité conformes à la norme ANSI Z87.1.

CONSIGNES DE SÉCURITÉ

Cette page illustre et décrit les symboles de sécurité qui peuvent être présents sur ce produit. Vous devez lire, comprendre et suivre toutes les instructions présentes sur l'appareil avant d'entamer son assemblage ou son utilisation.

	Alerte de sécurité	Précautions destinées à assurer votre sécurité
	Lire le guide d'utilisation	Afin de réduire les risques de blessure, l'utilisateur doit lire et comprendre le guide d'utilisation avant d'utiliser ce produit. Défaut de le faire peut causer des blessures graves à l'opérateur et / ou spectateur.
	Protection oculaire	Toujours porter des lunettes de protection ou de sécurité lunettes avec écrans latéraux en fonctionnement ce produit conforme à la norme ANSI Z87.1
	Tube de souffleur	N'utilisez pas l'appareil si le tube n'est pas en place.
	Fabrication de classe II	Fabrication à double isolation
V	Volt	Tension
	Courant alternatif	Type de courant ou caractéristique du courant
	Courant continu	Type de courant ou caractéristique du courant

A	Ampères	Courant
Hz	Hertz	Fréquence (cycles par seconde)
W	Watt	Puissance
min	Minutes	Durée
kg	Kilogramme	Kilogramme
lb	Livre	Kilogramme
°F	Température en degrés fahrenheit	Température
°C	Température en degrés celsius	Température

⚠ AVERTISSEMENT: Vous devez lire et comprendre toutes les instructions. Le fait de ne pas respecter toutes les consignes de sécurité ci-dessous peut occasionner une décharge électrique, un incendie ou des blessures graves.

Le terme <outil électrique > dans tous les avertissements indiqués ci-dessous désigne les outils électriques avec cordon ou les outils électriques alimentés par un bloc-pile (sans fil).

⚠ AVERTISSEMENT: Pour assurer la sécurité et la fiabilité, toutes les réparations doivent être effectuées par un technicien de service qualifié.

SÉCURITÉ DE L'AIRE DE TRAVAIL

- **Maintenez l'aire de travail propre et bien éclairée.** Les aires de travail sombres et encombrées sont propices aux accidents.
- **N'utilisez pas d'outils électriques dans un milieu explosif, par exemple où il y a présence de liquides, de vapeurs ou de poussières inflammables.** Les outils électriques produisent des étincelles susceptibles d'enflammer ces poussières ou ces vapeurs.

SÉCURITÉ ÉLECTRIQUE

- **Évitez tout contact de votre corps avec des surfaces mises à la terre telles que des surfaces de tuyaux, de radiateurs, de cuisinières ou de réfrigérateurs.** Il existe un risque accru de choc électrique si votre corps est en contact avec la terre.
- **La fiche de l'outil électrique doit correspondre à la prise de courant.** Ne modifiez jamais une fiche de quelque façon que ce soit. N'utilisez pas d'adaptateurs de fiches avec des outils électriques mis à la terre. L'emploi de fiches non modifiées et de prises de courant correspondant naturellement aux fiches réduira le risque de choc électrique.
- **N'exposez pas d'outils électriques à la pluie ou à un environnement humide.** La pénétration d'eau dans un outil électrique augmentera le risque de choc électrique.
- **N'utilisez pas le cordon de façon abusive.** N'utilisez pas le cordon pour porter, tirer ou débrancher l'outil électrique. Tenez le cordon à distance de toute source de chaleur, d'huile, de bords tranchants ou de pièces mobiles. Des cordons endommagés ou entortillés augmentent le risque de choc électrique.
- **Lorsque vous utilisez un outil électrique à l'extérieur, employez un cordon de rallonge approprié pour un emploi à l'extérieur.** L'utilisation d'un cordon approprié pour une utilisation à l'extérieur réduit le risque de choc électrique.
- Utilisez-le pour charger les blocs-piles EGO au lithium-ion figurant sur la liste ci-dessous.

CHARGEUR	BLOCS-PILES
CH2800D, CH2800D-FC	BA1120, BA1120-FC, BA1400, BA1400-FC, BA2240, BA2240-FC, BA2800, BA2800-FC, BA4200, BA4200-FC, BA1400T, BA1400T-FC, BA2800T, BA2800T-FC, BA4200T, BA4200T-FC, BA5600T, BA5600T-FC

ENTRETIEN

- **Faites entretenir votre chargeur par un réparateur qualifié en utilisant uniquement des pièces de remplacement identiques.** Vous vous assurerez ainsi que le chargeur demeure sécuritaire.
- **Lors de toute réparation d'un chargeur, n'utilisez que des pièces de rechange identiques. Suivez les instructions de la section Maintenance de ce mode d'emploi.** L'utilisation de pièces de rechange non autorisées ou le non-respect des instructions de maintenance pourrait créer un risque de choc électrique ou de blessure.

CONSIGNES DE SÉCURITÉ POUR LE CHARGEUR

⚠ MISE EN GARDE : Pour réduire le risque de choc électrique ou d'endommagement du chargeur et des piles, ne chargez que les piles au lithium-ion rechargeables mentionnées spécifiquement sur l'étiquette de votre chargeur. Les autres types de piles pourraient éclater et causer des blessures ou des dommages matériels.

- **Avant d'utiliser le chargeur de piles, lisez toutes les instructions et les mises en garde de ce mode d'emploi,** ainsi que celles qui figurent sur le chargeur de piles, sur les piles et sur le produit utilisant les piles pour éviter toute utilisation abusive du produit et tout risque de blessure ou de dommage matériel.
- **N'utilisez pas le chargeur à l'extérieur et ne l'exposez pas à des conditions mouillées ou humides.** La pénétration d'eau dans le chargeur augmentera le risque de choc électrique.
- **Ne manipulez pas le chargeur, y compris la fiche du chargeur et ses bornes, si vous avez les mains mouillées.**
- **L'utilisation d'un attachement non recommandé ou vendu par le fabricant du chargeur de piles pourrait causer un risque d'incendie, de choc électrique ou de blessure.**
- **Ne rechargez l'outil qu'avec le chargeur indiqué par le fabricant.** Un chargeur qui est approprié pour un type de bloc-piles pourrait créer un risque d'incendie quand il est utilisé avec un autre bloc-piles.
- **N'utilisez pas le cordon ou le chargeur de façon abusive.** N'utilisez pas le cordon pour transporter le chargeur. Ne tirez pas sur le cordon du chargeur pour débrancher la fiche d'une prise de courant. Ceci pourrait endommager le cordon ou le chargeur et créer un risque de choc électrique. Remplacez immédiatement les cordons s'ils sont endommagés.

- **Assurez-vous que le cordon est placé de manière à ce qu'il ne puisse pas être piétiné, qu'il ne risque pas de faire trébucher, qu'il n'entre pas en contact avec des arêtes vives ou des pièces en mouvement, et qu'il ne soit pas par ailleurs exposé à des risques de tension excessive ou d'endommagement.** Ceci réduira le risque de chutes accidentelles, qui pourraient causer des blessures et endommager le cordon, ce qui pourrait alors causer un choc électrique.
- **Gardez le cordon et le chargeur à distance de toute source de chaleur pour éviter d'endommager le boîtier ou les pièces internes.**
- **Ne laissez pas d'essence, d'huiles, de produits à base de pétrole, etc. entrer en contact avec des pièces en plastique.** Ces matériaux contiennent des agents chimiques qui pourraient endommager, affaiblir ou détruire le plastique.
- **N'utilisez pas le chargeur si sa fiche ou son cordon est endommagé, car ceci risquerait de causer un court-circuit et un choc électrique.** S'il est endommagé, faites réparer ou remplacer le chargeur par un technicien de service agréé dans un Centre de service après-vente EGO.
- **N'utilisez pas le chargeur s'il a reçu un choc violent, s'il est tombé ou s'il a été endommagé de quelque façon que ce soit par ailleurs.** Apportez-le chez un technicien de service agréé afin de procéder à une vérification électrique pour déterminer si le chargeur est en bon état de fonctionnement.
- **Ne démontez pas le chargeur.** Apportez-le chez un technicien de service agréé lorsqu'une procédure d'entretien ou une réparation est nécessaire. Un remontage incorrect pourrait causer un choc électrique ou un incendie.
- **Débranchez le chargeur de la prise de courant avant d'effectuer toute opération de maintenance ou de nettoyage afin de réduire le risque de choc électrique.**
- **Débranchez le chargeur de la prise de courant lorsque vous ne vous en servez pas.** Ceci réduira le risque de choc électrique ou d'endommagement du chargeur au cas où des objets en métal tombaient dans l'ouverture. Ceci contribuera également à prévenir un endommagement du chargeur en cas de surtension.
- **Risque de choc électrique.** Ne touchez pas la partie non isolée du connecteur de sortie ou une borne non isolée du boc-piles.
- Ce mode d'emploi contient des consignes de sécurité et des instructions d'utilisation importantes pour l'ze chargeur CH2800D/CH2800D-FC de 56 V.

- Pour réduire le risque de blessure, une supervision attentive est nécessaire lorsqu'un appareil est utilisé à proximité d'enfants.
- Pour un appareil portatif – Pour réduire le risque de choc électrique, n'immergez pas le chargeur dans de l'eau ou dans tout autre liquide. Ne placez pas et ne rangez pas l'appareil à un endroit où il pourrait tomber ou être attiré dans une baignoire ou dans un évier.
- **Conservez ces instructions.** Consultez-les fréquemment et utilisez-les pour donner les instructions nécessaires à d'autres personnes qui peuvent utiliser cet outil. Si vous prêtez cet outil à quelqu'un d'autre, donnez-lui également ces instructions pour éviter toute utilisation abusive du produit et tout risque de blessure.

CONSERVEZ CES INSTRUCTIONS!

INTRODUCTION

Félicitations pour votre choix du nouveau chargeur. Congratulations on your selection of the new EGO POWER+ de 56 V. Il a été conçu, développé et fabriqué pour vous donner le plus possible de fiabilité et de rendement.

Si vous éprouvez un problème que vous n'arrivez pas à régler facilement, veuillez communiquer avec le centre de service à la clientèle d'EGO au 1-855-EGO-5656.

Ce guide contient des renseignements importants pour assembler, utiliser et entretenir le 56V chargeur en toute sécurité. Lisez-le soigneusement avant d'utiliser le chargeur. Conservez ce guide à portée de main afin de pouvoir le consulter à tout moment.

NUMÉRO DE SÉRIE _____ DATE D'ACHAT _____

NOUS VOUS RECOMMANDONS DE NOTER LE NUMÉRO DE SÉRIE ET LA DATE D'ACHAT ET DE LES CONSERVER EN LIEU SÛR AFIN DE POUVOIR LES CONSULTER ULTÉRIEUREMENT.

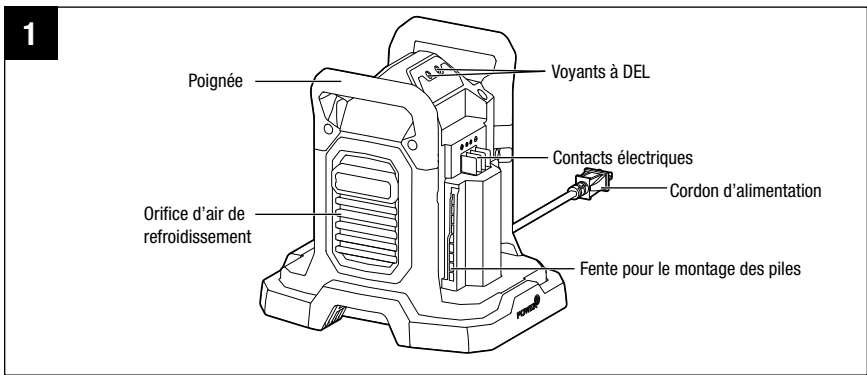
CARACTÉRISTIQUES

Entrée chargeur	120V~60Hz, 2x280W
Sortie chargeur	Bloc-piles portatif rechargeable de type Li-ion de 56 V, 4 A max.
Temps de charge	Approximativement 30 minutes pour le bloc-piles BA1120/BA1120-FC, 40 minutes pour le bloc-piles BA1400/BA1400-FC, 60 minutes pour le bloc-piles BA2240/BA2240-FC, 80 minutes pour le bloc-piles BA2800/BA2800-FC, 120 minutes pour le bloc-piles BA4200/BA4200-FC, 40 minutes pour le bloc-piles BA1400T/BA1400T-FC, 80 minutes pour le bloc-piles BA2800T/BA2800T-FC, 120 minutes pour le bloc-piles BA4200T/BA4200T-FC, 160 minutes pour le bloc-piles BA5600T/BA5600T-FC,
Température ambiante recommandée pour charger	5°C-40°C (41°F-104°F)
Poids du chargeur	2,6 kg (5,7 lb)

DESCRIPTION

DESCRIPTION DU CHARGEUR (Fig. 1)

Pour utiliser ce produit en toute sécurité, vous devez comprendre les renseignements le concernant contenus dans le présent guide d'utilisation et connaître le projet que vous entreprenez. Avant d'utiliser ce produit, familiarisez-vous avec toutes les caractéristiques de fonctionnement et consignes de sécurité.



VOYANTS À DEL : Indique l'état de charge.

FENTE POUR LE MONTAGE DES PILES : Guide le bloc-piles quand il est installé sur le chargeur.

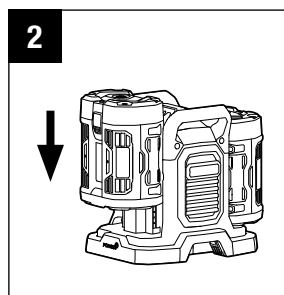
FONCTIONNEMENT

COMMENT CHARGER LE BLOC-PILES

⚠ AVERTISSEMENT : N'utilisez pas le chargeur à l'extérieur et ne l'exposez pas aux endroits mouillés ou humides. L'infiltration d'eau dans le chargeur augmente les risques de décharge électrique.

REMARQUE : Les blocs-piles au lithium-ion sont partiellement chargés au moment de leur expédition. Chargez complètement le bloc-pile avant sa première utilisation.

1. Connectez le chargeur à une source d'alimentation (120 V –60Hz).
2. Alignez les nervures surélevées du bloc-piles sur les fentes de montage des piles dans le chargeur ; faites glisser le bloc-piles vers le bas sur le chargeur (Fig.2).



REMARQUE : Vous pouvez charger deux piles en même temps.

3. Le chargeur communiquera avec le bloc-piles pour évaluer son état de fonctionnement.
4. Pendant que le bloc-piles est en train de charger, la DEL verte sur le chargeur clignote. L'indicateur d'alimentation électrique sur le bloc-piles clignote dans la séquence suivante : rouge, orange et vert (Pour BA1120, BA1120-FC, BA1400, BA1400-FC, BA2240, BA2240-FC, BA2800, BA2800-FC, BA4200 et BA4200-FC). Ou le dernier segment du voyant à 5 DEL sur le bloc-piles clignote en vert (Pour BA1400T, BA1400T-FC, BA2800T, BA2800T-FC, BA4200T, BA4200T-FC, BA5600T et BA5600T-FC). Le ventilateur dans le chargeur fonctionne en permanence pour refroidir le chargeur.
5. Lorsque le bloc-piles est complètement chargé, les voyants à DEL indiquant la charge sur le chargeur cessent de clignoter et restent allumés continuellement en vert. L'indicateur de charge sur le bloc-piles s'éteindra. Retirez le bloc-piles du chargeur et débranchez le chargeur de la source d'alimentation électrique.
6. Le bloc-piles chargera jusqu'à son maximum de charge s'il est laissé sur le chargeur, mais pas excessivement. Si le bloc-piles reste sur le chargeur pendant un mois ou plus, il effectuera de l'auto-maintenance et tombera à une capacité de charge de 30 %. Si ceci se produit, réinstallez le bloc-piles sur le chargeur pour le recharger complètement.

REMARQUE :

- Une durée de fonctionnement vraiment réduite après une charge complète signifie que la fin de la vie utile des piles approche et que celles-ci doivent être remplacées.
- Il est possible que le chargeur devienne chaud durant la charge, cela est tout à fait normal. Chargez dans un endroit bien aéré.

FONCTIONS DES DEL DU CHARGEUR (lors de la charge de deux piles en même temps)

VOYANT À DEL	BLOC-PILES	DEL DE GAUCHE		DEL DE DROITE		INDICATEUR DE CHARGE SUR LE BLOC-PILES	ACTION
		ROUGE	VERT	ROUGE	VERT		
	Défectueux	Clignotant	Éteint	Clignotant	Éteint	Éteint	Le bloc-piles ou le chargeur est défectueux
	Bloc-piles froid/chaud	Allumé	Éteint	Allumé	Éteint	Éteint	La charge commence dès que le bloc-piles revient à une température de 3° C-57° C / 37° F-135° F
	En cours de charge	Éteint	Clignotant	Éteint	Clignotant	Clignotant en ROUGE, ORANGE et VERT en alternance, ou le dernier voyant à DEL clignotant en VERT, les premiers voyants à DEL étant allumés en permanence en VERT	En cours de charge
	Pleine charge	Éteint	Allumé	Éteint	Allumé	Éteint	La charge est complète. Charge de maintenance

CHARGE D'UN BLOC-PILES CHAUD OU FROID

Si le bloc-piles est à une température inférieure ou supérieure à la plage normale, la DEL rouge s'allumera et la DEL verte s'éteindra. Lorsque le bloc-piles refroidit jusqu'à environ 57° C / 135° F ou chauffe jusqu'à plus de 3° C / 37° F, le chargeur commence automatiquement à charger.

BLOC-PILES OU CHARGEUR DÉFECTUEUX

Si le chargeur détecte un problème, la DEL rouge commencera à clignoter et la DEL verte s'éteindra.

1. En cas d'indication qu'il est défectueux, retirez le bloc-piles et réinsérez le bloc-piles dans le chargeur. Si l'indication des DEL montre toujours un état défectueux une deuxième fois, essayez de charger un autre bloc-piles.
2. Si cet autre bloc-piles se recharge normalement, jetez le bloc-piles défectueux (voir les instructions dans le mode d'emploi du bloc-piles).
3. Si le voyant indique également « défectueux » pour un autre bloc-piles, débranchez le chargeur et attendez que le voyant rouge à DEL s'éteigne, puis rebranchez la fiche dans la source d'alimentation. Si la DEL rouge sur le chargeur indique toujours un état défectueux, il se peut que ce soit le chargeur qui est défectueux.

ENTRETIEN

⚠ AVERTISSEMENT : Pour éviter des blessures graves, retirez toujours le bloc-piles et débranchez le chargeur de sa source d'alimentation lorsque vous nettoyez ou effectuez des travaux de maintenance.

⚠ AVERTISSEMENT : Lors de toute réparation, n'utilisez que des pièces de rechange EGO identiques. L'utilisation de toutes autres pièces de rechange pourrait créer un danger ou endommager le produit. Pour assurer la sécurité et la fiabilité, toutes les réparations doivent être effectuées par un technicien d'un Centre de service EGO qualifié.

⚠ AVERTISSEMENT : Il n'est pas recommandé d'utiliser de l'air comprimé sec comme méthode de nettoyage pour le chargeur. Si le nettoyage à l'air comprimé est la seule méthode à appliquer, portez toujours des lunettes de protection ou des lunettes de sécurité à écrans latéraux. Si la procédure produit de la poussière, portez également un masque de protection contre la poussière.

ENTRETIEN GÉNÉRAL

Évitez d'utiliser des solvants sur les pièces en plastique. La plupart des plastiques sont susceptibles d'être endommagés par divers types de solvants commerciaux. Utilisez un linge propre pour enlever la saleté, la poussière, l'huile, la graisse, etc.

⚠ AVERTISSEMENT : Ne laissez en aucun temps du liquide pour freins, de l'essence, des produits à base de pétrole, des huiles dégrippantes et autres produits de ce genre entrer en contact avec les pièces en plastique. Les produits chimiques peuvent endommager, affaiblir ou détruire le plastique et engendrer ainsi des risques de blessures graves.

DÉPANNAGE

PROBLÈME	CAUSE	SOLUTION
Le chargeur ne fonctionne pas. Une DEL clignote en rouge ou toutes les DEL s'éteignent.	Le bloc-pile ou le chargeur est défectueux ou il y a un mauvais contact entre le bloc-pile et le chargeur.	<ol style="list-style-type: none">1. Essayez d'enlever le bloc-pile et réinstallez-le sur le chargeur.2. Essayez de charger un autre bloc-pile.3. Débranchez le chargeur et attendez que le voyant à DEL rouge s'éteigne, puis rebranchez la fiche dans la prise de courant
Le chargeur ne fonctionne pas et le voyant à DEL 1 émet une lumière rouge.	Le bloc-pile est trop chaud ou trop froid.	Attendez que le bloc-pile atteigne une température normale. La charge commencera dès que le bloc-pile atteindra une température entre 3°C et 57 °C (37°F et 135 °F).

GARANTIE

POLITIQUE D'EGO EN MATIÈRE DE GARANTIE

Garantie limitée de 5 ans sur les équipements d'alimentation électrique d'extérieur EGO POWER+ et les équipements d'alimentation électrique portable pour un usage personnel et domestique.

Garantie limitée de 3 ans sur les blocs-piles et chargeurs du système EGO POWER+ pour un usage personnel et domestique.

Garantie limitée de 2 ans/1 an sur les équipements d'alimentation électrique d'extérieur, les équipements d'alimentation électrique portables, les blocs-piles et les chargeurs EGO pour un usage professionnel et commercial.

La durée et les détails de la garantie de chaque produit sont indiqués en ligne à l'adresse <http://egopowerplus.com/pages/warranty-policy>.

Veillez communiquer avec le service à la clientèle d'EGO au 1-855-EGO-5656 pour toute question sur les réclamations au titre de la garantie.

GARANTIE LIMITÉE

Les produits EGO sont garantis contre tout défaut de matériel ou de fabrication à compter de la date d'achat d'origine pour la période de garantie applicable. Les produits défectueux recevront une réparation gratuite.

- a) Cette garantie s'applique uniquement à l'acheteur initial s'étant procuré le produit chez un détaillant EGO autorisé et est non transférable. La liste des détaillants EGO autorisés est publiée en ligne sur le site <http://egopowerplus.com/pages/warranty-policy>.
- b) La période de garantie pour les produits remis en état ou certifiés par l'usine utilisés à des fins résidentielles est de 1 an, et de 90 jours lorsqu'ils sont utilisés à des fins industrielles, professionnelles ou commerciales.
- c) La période de garantie pour les pièces d'entretien régulier, y compris, sans s'y limiter, les lames, les têtes de taille-bordure, les guides-chaînes, les chaînes de scie, les courroies, les barres de raclage, les buses de souffleur, ainsi que tous les autres accessoires EGO, est de 90 jours lorsqu'elles sont utilisées à des fins résidentielles et de 30 jours lorsqu'elles sont utilisées à des fins industrielles, professionnelles ou commerciales. Ces pièces sont couvertes contre les défauts de fabrication pour une période de 90 jours ou de 30 jours si elles sont utilisées dans des conditions de travail normales.

- d) La présente garantie n'est pas valide si le produit a été utilisé aux fins de location.
- e) La présente garantie ne couvre pas les dommages résultant d'une modification, d'une altération ou d'une réparation non autorisée.
- f) Cette garantie couvre uniquement les défauts survenant dans des conditions normales d'utilisation et ne couvre aucun dysfonctionnement ou défaut ni aucune défaillance découlant d'un usage inapproprié ou abusif (notamment la surcharge du produit et son immersion dans l'eau ou dans tout autre liquide), d'un accident, d'une négligence, d'une installation inadéquate et de tout entretien ou entreposage inadéquat.
- g) La présente garantie ne couvre pas la détérioration normale du fini extérieur, notamment les rayures, les bosselures, les craquelures de la peinture ou toute corrosion ou décoloration résultant de la chaleur, de produits abrasifs ou de nettoyeurs chimiques.

RÉCLAMATION AU TITRE DE LA GARANTIE

Pour faire une réclamation au titre de la garantie, veuillez communiquer avec le service à la clientèle d'EGO au **1-855-EGO-5656**. Lorsque vous faites une réclamation au titre de la garantie, vous devez présenter le reçu de vente original. Un centre de service autorisé sera sélectionné pour la réparation du produit conformément aux conditions de garantie prescrites. Il se peut qu'un petit dépôt soit exigé lorsque vous laissez votre outil dans un centre de service autorisé. Ce dépôt est remboursable lorsque le service de réparation est considéré comme étant couvert par la garantie.

RESTRICTIONS SUPPLÉMENTAIRES

Dans la mesure permise par la loi en vigueur, toutes les garanties implicites, y compris les garanties de QUALITÉ MARCHANDE ou D'ADÉQUATION À UN USAGE PARTICULIER, sont exclues. Toute garantie implicite, y compris la garantie de qualité marchande ou d'adéquation à un usage particulier, qui ne peut être rejetée en vertu de la loi de l'État ou de la province est limitée à la période de garantie applicable définie au début de cet article.

Chervon North America n'est pas responsable des dommages accessoires, consécutifs, indirects ou directs.

Certaines provinces n'autorisent pas les restrictions de durée de garantie implicite, ou l'exclusion ou la restriction des dommages consécutifs et accessoires; c'est pourquoi les restrictions ci-dessus peuvent ne pas s'appliquer à votre cas.

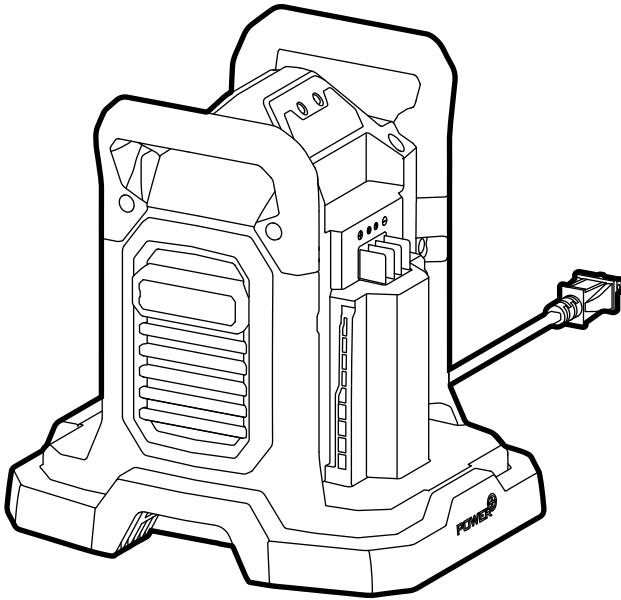
Cette garantie vous confère des droits précis. Il est possible que vous disposiez également d'autres droits, qui varient d'une province à l'autre.

Pour communiquer avec le service à la clientèle, veuillez composer le numéro sans frais suivant : **1-855-EGO-5656** ou consulter le site Web **EGOPOWERPLUS.COM**.

EGO Customer Service, 769 SEWARD AVE NW / Suite 102 Grand Rapids, MI 49504, États-Unis.

EGO™

POWER+ CHARGER



MANUAL DE OPERACIONES

CARGADOR DE 56 VOLTIOS

MODELO NÚMERO CH2800D/CH2800D-FC

⚠ ADVERTENCIA: Para reducir el riesgo de lesiones, el usuario debe leer y comprender el Manual del usuario antes de usar este producto. Guarde estas instrucciones para consultarlas en el futuro.

ÍNDICE

Declaración de la Comisión Federal de Comunicaciones	44
Símbolos de seguridad	45
Instrucciones de seguridad	46-51
Introducción	52
Especificaciones	53
Descripción	54
Operación	55-57
Mantenimiento	58
Solución de problemas	59
Garantía	60-62

LEA TODAS LAS INSTRUCCIONES



LEA Y COMPRENDA
EL MANUAL DEL OPERADOR

Este cargador de batería cuenta con diversas características que hacen que su uso sea más placentero y agradable. A la hora del diseño de este producto, se le dio prioridad a la seguridad, al rendimiento y a la confiabilidad, lo que facilita su mantenimiento y funcionamiento.

⚠ ADVERTENCIA: Parte del polvo producto del lijado, aserrado, esmerilado, perforado y otras actividades de construcción, contiene químicos que el estado de California reconoce como causantes de cáncer, malformaciones congénitas u otros daños reproductivos. Algunos ejemplos de estos químicos son los siguientes:

- Plomo de pinturas a base de plomo.
- Sílice cristalina de ladrillos, cemento y otros productos de mampostería.
- Arsénico y cromo de maderas tratadas químicamente.

El riesgo por estas exposiciones varía según la frecuencia con la que realice este tipo de trabajo. Medidas para reducir la exposición a estos químicos: Trabaje en un área bien ventilada y con el equipo de seguridad aprobado, como las máscaras antipolvo especialmente diseñadas para filtrar partículas microscópicas.

DECLARACIÓN DE LA COMISIÓN FEDERAL DE COMUNICACIONES

1. Este dispositivo cumple con la Sección 15 de las reglas de la FCC.
La operación de este dispositivo está sujeta a las dos condiciones siguientes:
 - 1) Este dispositivo no debe causar interferencia dañina.
 - 2) Este dispositivo debe aceptar cualquier interferencia que reciba, incluida la interferencia que pueda causar un funcionamiento no deseado.
2. Los cambios o las modificaciones que no estén expresamente aprobados por la parte responsable del cumplimiento podrían anular la autorización del usuario para operar el equipo.

AVISO: Este equipo se ha probado y ha demostrado que cumple con los límites para un dispositivo digital Clase B, de acuerdo con la Sección 15 de las reglas de la FCC. Estos límites están diseñados para ofrecer una protección razonable contra las interferencias dañinas en una instalación doméstica. Este equipo genera, usa y puede irradiar energía de radiofrecuencia y, si no se instala y se usa de acuerdo con las instrucciones, podría ocasionar interferencias dañinas para las comunicaciones por radio. Sin embargo, no se puede garantizar que no se vaya a producir este tipo de interferencias en una instalación en particular. Si el equipo efectivamente ocasiona interferencias dañinas en la recepción de radio o televisión, lo cual se puede determinar encendiendo y apagando el equipo, se recomienda al usuario que intente corregir la interferencia mediante alguna de las siguientes medidas: Reoriente o reubique la antena receptora. Aumente la distancia entre el equipo y el receptor. Conecte el equipo a un tomacorriente de un circuito diferente de aquel al que se encuentra conectado el receptor. Consulte con el distribuidor o con un técnico de radio y televisión experimentado.

SÍMBOLOS DE SEGURIDAD

Estos símbolos de seguridad se utilizan para advertirle sobre los posibles peligros. Los símbolos de seguridad y las explicaciones que los acompañan merecen cuidadosa atención y comprensión. Por sí solos, los símbolos de advertencia no eliminan los peligros. Las instrucciones y advertencias que proporcionan no reemplazan a las medidas adecuadas de prevención de accidentes.






⚠ ADVERTENCIA: Antes de utilizar esta herramienta, asegúrese de leer y comprender todas las instrucciones de seguridad en este Manual del usuario, incluidos todos los símbolos de alerta de seguridad como “**PELIGRO**”, “**ADVERTENCIA**” y “**PRECAUCIÓN**”. Si no se siguen todas las instrucciones que se indican a continuación, se pueden producir descargas eléctricas, incendios o lesiones personales graves.



⚠ ADVERTENCIA: La operación de cualquier herramienta eléctrica puede causar que se disparen objetos extraños hacia sus ojos, lo que puede resultar en daños graves en los ojos. Antes de comenzar a operar una herramienta eléctrica, use siempre gafas protectoras o anteojos de seguridad con protección lateral y un protector facial si es necesario. Le recomendamos usar una máscara de seguridad de visión amplia sobre anteojos o anteojos de seguridad estándar con protección lateral. Use siempre protección ocular con la marca de cumplimiento de la norma ANSI Z87.1.

INSTRUCCIONES DE SEGURIDAD

Esta página presenta y describe los símbolos de seguridad que pueden aparecer en este producto. Lea, comprenda y siga todas las instrucciones que figuran en la máquina antes de intentar ensamblarla y operarla.

	Alerta de seguridad	Precauciones que involucran su seguridad.
	Lea y comprenda el manual del operador	Para reducir el riesgo de lesiones, el usuario debe leer y comprender el Manual del usuario antes de usar este product. De lo contrario, se pueden producir lesiones graves al operador y / o al espectador.
	Protección ocular	Use siempre gafas protectoras o anteojos con protección lateral y un protector facial al operar este producto. que cumple con ANSI Z87.1
	Alerta de condiciones de humedad	No exponga esta herramienta a la lluvia ni la utilice en áreas húmedas.
	Fabricación con doble aislamiento	Fabricación con doble aislamiento
V	Voltio	Voltaje
~	Corriente alterna	Tipo de corriente
≡	Corriente continua	Tipo o característica de la corriente

A	Amperios	Corriente
Hz	Hertz	Frecuencia (ciclos por segundo)
W	Vatio	Potencia
min	Minutos	Tiempo
kg	Kilogramo	Peso
lb	Libra	Peso
°F	Temperatura Fahrenheit	Temperatura
°C	Temperatura Celsius	Temperatura

⚠ ADVERTENCIA: Lea y comprenda todas las instrucciones. Si no se siguen todas las instrucciones que se indican a continuación, se pueden producir descargas eléctricas, incendios o lesiones personales graves.

El término “herramienta eléctrica” en todas las advertencias que figuran a continuación se refiere a las herramientas eléctricas que funcionan con conexión eléctrica o a batería (inalámbricas).

⚠ ADVERTENCIA: Para garantizar la seguridad y la confiabilidad, todas las reparaciones deberán ser realizadas por un técnico de servicio calificado.

SEGURIDAD DEL ÁREA DE TRABAJO

- **Mantenga el área de trabajo limpia y bien iluminada.** Las áreas desordenadas y oscuras pueden provocar accidentes
- **No opere herramientas eléctricas en ambientes explosivos, como en presencia de líquidos, gases o polvos inflamables.** Las herramientas eléctricas producen chispas que pueden encender el polvo o los gases

SEGURIDAD ELÉCTRICA

- **Evite el contacto del cuerpo con las superficies conectadas a tierra,** tales como tuberías, radiadores, estufas de cocina y refrigeradores. Hay un mayor riesgo de descargas eléctricas si el cuerpo del operador está conectado a tierra.
- **Los enchufes de las herramientas eléctricas deben coincidir con el tomacorriente.** No modifique nunca el enchufe de ninguna manera. No utilice enchufes adaptadores con herramientas eléctricas conectadas a tierra. Los enchufes no modificados y los tomacorrientes coincidentes reducirán el riesgo de descargas eléctricas.
- **No exponga las herramientas eléctricas a la lluvia ni a condiciones húmedas.** Si entra agua en una herramienta eléctrica se aumentará el riesgo de descargas eléctricas.
- **No abuse del cable de alimentación.** No utilice nunca dicho cable para transportar, jalar o desenchufar la herramienta eléctrica. Mantenga el cable de alimentación alejado del calor, el aceite, los bordes afilados o las piezas móviles. Los cables de alimentación dañados o enredados aumentan el riesgo de descargas eléctricas.
- **Cuando utilice una herramienta eléctrica a la intemperie, utilice un cable de extensión adecuado para uso a la intemperie.** El uso de un cable adecuado para uso a la intemperie reduce el riesgo de descargas eléctricas.
- Utilice el cargador para cargar los paquetes de baterías de ion litio EGO que se indican a continuación.

CARGADOR	PAQUETE DE BATERÍAS
CH2800D, CH2800D-FC	BA1120, BA1120-FC, BA1400, BA1400-FC, BA2240, BA2240-FC, BA2800, BA2800-FC, BA4200, BA4200-FC, BA1400T, BA1400T-FC, BA2800T, BA2800T-FC, BA4200T, BA4200T-FC, BA5600T, BA5600T-FC

MANTENIMIENTO

- **Faites entretenir votre chargeur par un réparateur qualifié en utilisant uniquement des pièces de remplacement identiques.** Vous vous assurerez ainsi que le chargeur demeure sécuritaire
- **Cuando realice servicio de ajustes y reparaciones de un cargador, utilice únicamente piezas de repuesto idénticas.** Siga las instrucciones de la sección Mantenimiento de este manual. Es posible que el uso de piezas no autorizadas o el no seguir las instrucciones de Mantenimiento cree un riesgo de descargas eléctricas o lesiones.

INSTRUCCIONES DE SEGURIDAD PARA EL CARGADOR

⚠ PRECAUCIÓN: Para reducir el riesgo de descargas eléctricas o daños al cargador y a la batería, cargue únicamente las baterías recargables de ion litio designadas específicamente en la etiqueta de su cargador. Es posible que otros tipos de baterías revienten y con ello causen lesiones corporales o daños.

- **Antes de utilizar el cargador de baterías,** lea todas las instrucciones y marcas de precaución que se encuentran en este manual y en el cargador de baterías, la batería y el producto que utiliza la batería, para prevenir un uso incorrecto del producto y posibles lesiones o daños.
- **No utilice el cargador a la intemperie ni lo exponga a condiciones mojadas o húmedas.** Si entra agua en el cargador se aumentará el riesgo de descargas eléctricas.
- **No maneje el cargador, incluyendo el enchufe del cargador y los terminales del cargador, con las manos mojadas.**
- **Es posible que el uso de un aditamento no recomendado o no vendido por el fabricante del cargador de baterías cause un riesgo de incendio, descargas eléctricas o lesiones a las personas.**
- **Recargue baterías únicamente con el cargador especificado por el fabricante.** Es posible que un cargador que sea adecuado para un tipo de paquete de baterías cree un riesgo de incendio cuando se utilice con otro paquete de batería.
- **No abuse del cable de alimentación ni del cargador.** No utilice nunca el cable de alimentación para transportar el cargador. No jale el cable de alimentación del cargador para desconectar el enchufe de un tomacorriente. Podrían ocurrir daños al cable o al cargador y con ello se podría crear un peligro de descargas eléctricas. Reemplace inmediatamente los cables dañados.

- **Asegúrese de que el cable de alimentación esté ubicado de manera que no se pueda pisar ni tropezar con él, que no pueda entrar en contacto con bordes afilados o piezas móviles, y que no pueda sufrir a daños o someterse a esfuerzo de alguna otra manera.** Esto reducirá el riesgo de caídas accidentales, que podrían causar lesiones y daños al cable, lo cual podría producir descargas eléctricas.
- **Mantenga el cable de alimentación y el cargador alejados del calor para evitar daños a la carcasa o las piezas internas.**
- **No deje que gasolina, aceites, productos a base de petróleo, etc., entren en contacto con piezas de plástico.** Estos materiales contienen sustancias químicas que pueden dañar, debilitar o destruir el plástico.
- **No utilice el cargador si su cable de alimentación o su enchufe están dañados, ya que esto podría causar cortocircuitos y descargas eléctricas.** En caso de daños, haga que el cargador sea reparado o reemplazado por un técnico de servicio autorizado en un Centro de Servicio EGO.
- **No utilice el cargador si ha recibido un golpe fuerte, se ha caído o ha sufrido daños de alguna otra manera.** Llévelo a un técnico de servicio autorizado para realizar una comprobación eléctrica con el fin de determinar si el cargador está en buenas condiciones de funcionamiento.
- **No desensamble el cargador.** Llévelo a un técnico de servicio autorizado cuando se requiera servicio o reparación. Es posible que un reensamblaje incorrecto cause un riesgo de descargas eléctricas o incendio.
- **Desenchufe el cargador del tomacorriente antes de intentar cualquier mantenimiento o limpieza, para reducir el riesgo de descargas eléctricas.**
- **Desconecte el cargador de la fuente de alimentación cuando no esté en uso.** Esto reducirá el riesgo de descargas eléctricas o daños al cargador en el caso de que caigan objetos metálicos en la abertura. También ayudará a evitar daños al cargador durante una sobretensión eléctrica.
- **Riesgo de descargas eléctricas.** No toque la parte sin aislamiento del conector de salida ni el terminal de la batería que no tiene aislamiento.
- Este manual contiene instrucciones de seguridad y utilización importantes para el cargador de 56 V CH2800D/CH2800D-FC.
- Para reducir el riesgo de lesiones, se necesita supervisión estrecha cuando un electrodoméstico se utilice cerca de niños.

- Para un electrodoméstico portátil: Para reducir el riesgo de descargas eléctricas, no ponga el cargador en agua ni en otro líquido. No ponga ni almacene el electrodoméstico en un lugar donde pueda caer o ser jalado a una tina o un lavamanos o fregadero.
- **Guarde estas instrucciones.** Consúltelas frecuentemente y utilícelas para instruir a otras personas que puedan utilizar esta herramienta. Si le presta esta herramienta a otra persona, préstele también estas instrucciones para evitar un uso incorrecto del producto y posibles lesiones.

GUARDE ESTAS INSTRUCCIONES!

INTRODUCCIÓN

Felicitaciones por su selección del nuevo cargador de 56 V EGO POWER+. Este cargador ha sido diseñado, concebido y fabricado para ofrecerle a usted la mejor confiabilidad y el mejor rendimiento posibles.

En caso de que tuviera algún problema que no pudiera resolver fácilmente, comuníquese con el Centro de Servicio al Cliente de EGO al 1-855-EGO-5656.

Este manual contiene información importante para el ensamblaje, la operación y el mantenimiento seguros del 56V cargador. Léalo atentamente antes de usar la cargador. Mantenga este manual a mano para poder consultarlo en cualquier momento.

NÚMERO DE SERIE _____	FECHA DE COMPRA _____
--------------------------	--------------------------

DEBE ANOTAR EL NÚMERO DE SERIE Y LA FECHA DE COMPRA, Y CONSERVARLOS EN UN LUGAR SEGURO PARA CONSULTARLOS EN EL FUTURO. PLACE FOR FUTURE REFERENCE

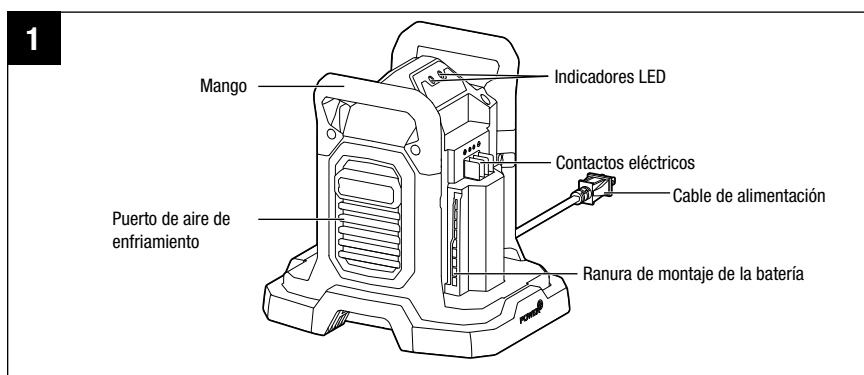
ESPECIFICACIONES

Entrada del cargador	120V~60Hz, 2x280W
Salida del cargador	Paquete de baterías portátil recargable tipo ion Li de 56 V, máx. 4 A
Tiempo de carga	Aproximadamente 30 minutos para el paquete de baterías BA1120/BA1120-FC, 40 minutos para el paquete de baterías BA1400/BA1400-FC, 60 minutos para el paquete de baterías BA2240/BA2240-FC, 80 minutos para el paquete de baterías BA2800/BA2800-FC, 120 minutos para el paquete de baterías BA4200/BA4200-FC, 40 minutos para el paquete de baterías BA1400T/BA1400T-FC 80 minutos para el paquete de baterías BA2800T/BA2800T-FC, 120 minutos para el paquete de baterías BA4200T/BA4200T-FC, 160 minutos para el paquete de baterías BA5600T/BA5600T-FC
Temperatura ambiente recomendada para cargar	41°F-104°F (5°C-40°C)
Peso del cargador	5.7 lb. (2.6 kg)

DESCRIPCIÓN

CONOZCA SU CARGADOR (Fig. 1)

El uso seguro de este producto requiere y comprende la información de la herramienta y en este manual de instrucciones, así como el conocimiento del proyecto que está intentando. Antes de usar este producto, familiarícese con todas las características de operación y reglas de seguridad.



INDICADORES LED: Indican el estado de la operación de carga.

RANURA DE MONTAJE DE LA BATERÍA: Guía el paquete de baterías al instalarlo en el cargador.

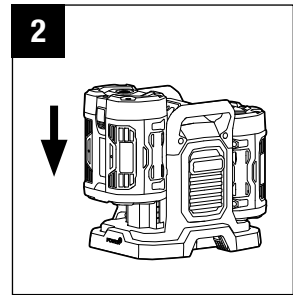
OPERACIÓN

CÓMO CARGAR EL PAQUETE DE BATERÍAS

⚠ ADVERTENCIA: No use el cargador en exteriores ni lo exponga a condiciones de humedad. Si entra agua al cargador aumentará el riesgo de descarga eléctrica.

AVISO: Los paquetes de baterías de iones de litio se envían parcialmente cargados. Antes de usarlo por primera vez, cárguelo completamente.

1. Conecte el cargador a la fuente de alimentación (120 V~, 60 Hz).
2. Alinee las costillas en relieve del paquete de baterías con las ranuras de montaje de la batería ubicadas en el cargador; deslice el paquete de baterías hacia abajo sobre el cargador (Fig. 2).



AVISO: Usted puede cargar dos baterías al mismo tiempo.


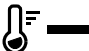


3. El cargador se comunicará con el paquete de baterías para evaluar el estado de dicho paquete.
4. Cuando el paquete de baterías se esté cargando, la luz LED verde del cargador parpadeará. El indicador de energía del paquete de baterías parpadeará en secuencia: rojo, naranja y verde (para los modelos BA1120, BA1120-FC, BA1400, BA1400-FC, BA2240, BA2240-FC, BA2800, BA2800-FC, BA4200 y BA4200-FC). O el último segmento del indicador de 5 luces LED del paquete de baterías parpadeará en verde (para los modelos BA1400T, BA1400T-FC, BA2800T, BA2800T-FC, BA4200T, BA4200T-FC, BA5600T y BA5600T-FC). El ventilador del cargador funciona continuamente para enfriar el cargador.
5. Cuando el paquete de baterías esté completamente cargado, las luces LED de indicación de carga ubicadas en el cargador dejarán de parpadear y brillarán continuamente en verde. El indicador de energía del paquete de baterías se apagará. Retire el paquete de baterías del cargador y desconecte el cargador de la fuente de alimentación.
6. El paquete de baterías se cargará completamente si se deja en el cargador, pero no se sobrecargará. Si el paquete de baterías permanece en el cargador durante un mes o más, realizará automantenimiento y bajará al 30% de su capacidad de carga. Si esto sucede, reinstale el paquete de baterías en el cargador para recargarlo completamente.

AVISO:

- Un tiempo de funcionamiento considerablemente reducido luego de haber cargado el paquete de baterías completamente indica que las baterías están por cumplir su vida útil y deben reemplazarse.
- Es posible que el cargador se caliente durante la carga. Esto es parte del funcionamiento normal del cargador. Cargue la batería en un área bien ventilada.

FUNCIONES LED DEL CARGADOR

(cuando se carguen dos baterías al mismo tiempo)

INDICADOR LED	PAQUETE DE BATERÍAS	LUZ LED IZQUIERDA		LUZ LED DERECHA		INDICADOR DE ENERGÍA DEL PAQUETE DE BATERÍAS	ACCIÓN
		ROJA	VERDE	ROJA	VERDE		
	Defectuoso	Parpadea	APAGADA	Parpadea	APAGADA	APAGADO	El paquete de baterías o el cargador está defectuoso
	Batería fría/caliente	Brilla	APAGADA	Brilla	APAGADA	APAGADO	La operación de carga comenzará cuando el paquete de baterías regrese a 37 °F (3 °C) -135 °F (57 °C)
	Cargando	APAGADA	Parpadea	APAGADA	Parpadea	Parpadea en ROJO, NARANJA y VERDE alternativamente o la última luz LED parpadea en VERDE, las luces LED anteriores brillan en VERDE continuo	Cargando
	Completamente cargado	APAGADA	Brilla	APAGADA	Brilla	APAGADO	La operación de carga se ha completado. Operación de carga de mantenimiento.

CÓMO CARGAR UN PAQUETE DE BATERÍAS CALIENTE O FRÍO

Si el paquete de baterías está fuera del rango normal de temperatura, el LED 1 se encenderá en color rojo. Cuando la batería se enfríe hasta aproximadamente los 57 °C (135 °F) o se caliente a más de 3 °C (37 °F), el cargador comenzará a cargar de manera automática y los 4 LED funcionarán normalmente en secuencia.

PAQUETE DE BATERÍAS O CARGADOR DEFECTUOSOS

Si el cargador detecta un problema, la luz LED roja comenzará a parpadear y la luz LED verde se apagará,

1. Si se registra como defectuoso, retire el paquete de baterías del cargador y reinsértelo. Si las luces LED todavía indican “defectuoso” por segunda vez, pruebe a cargar un paquete de baterías diferente.
2. Si un paquete de baterías diferente se carga normalmente, deseche el paquete de baterías defectuoso (consulte las instrucciones que se encuentran en el manual del paquete de baterías).
3. Si un paquete de baterías diferente también indica “defectuoso”, desenchufe el cargador, espere hasta que la luz LED roja se apague y luego reconecte el enchufe a la fuente de alimentación. Si la luz LED roja del cargador sigue mostrando “defectuoso”, es posible que el cargador esté defectuoso.

MANTENIMIENTO

⚠ ADVERTENCIA: Para evitar lesiones corporales graves, retire siempre el paquete de baterías y desconecte el cargador de la fuente de alimentación cuando limpie o realice cualquier mantenimiento.

⚠ ADVERTENCIA: Cuando realice servicio de ajustes y reparaciones, utilice únicamente piezas de repuesto EGO idénticas. Es posible que el uso de cualquier otra pieza cree un peligro o cause daños al producto. Para garantizar la seguridad y la confiabilidad, todas las reparaciones deberán ser realizadas por un técnico de servicio calificado en un Centro de Servicio EGO.

⚠ ADVERTENCIA: No se recomienda utilizar aire comprimido seco como método de limpieza del cargador. Si la limpieza con aire comprimido es el único método que se puede aplicar, use siempre anteojos de seguridad o gafas de seguridad con escudos laterales. Si la operación genera polvo, use también una máscara antipolvo.

MANTENIMIENTO GENERAL

Evite el uso de solventes para limpiar las partes de plástico. La mayoría de los plásticos son susceptibles a diferentes tipos de solventes comerciales y pueden resultar dañados por el uso de dichos solventes. Utilice paños limpios para eliminar la suciedad, el polvo, el aceite, la grasa, etc.

⚠ ADVERTENCIA: No permita en ningún momento que las partes plásticas entren en contacto con líquidos de freno, gasolina, productos a base de petróleo, aceites penetrantes, etc. Los químicos pueden dañar, debilitar o destruir el plástico, lo que puede resultar en lesiones personales graves.

SOLUCIÓN DE PROBLEMAS

PROBLEMA	CAUSA	SOLUCIÓN
El cargador no funciona. La luz LED parpadea en rojo o todas las luces LED se apagan.	El paquete de baterías o el cargador están defectuosos o hay una mala conexión entre el paquete de baterías y el cargador.	<ol style="list-style-type: none">1. Intente retirar el paquete de baterías y volver a instalarlo en el cargador.2. Intente cargar un paquete de baterías diferente.3. Desconecte el cargador y espere hasta que el LED de color rojo se apague, luego vuelva a conectar el enchufe al suministro eléctrico.
El cargador no funciona y el LED 1 se enciende de color rojo.	El paquete de baterías está muy caliente o muy frío.	Deje que el paquete de baterías alcance una temperatura normal. La carga comenzará cuando el paquete de baterías vuelva a estar entre los 3 °C (37 °F) y los 57 °C (135 °F).

GARANTÍA

POLÍTICA DE GARANTÍA

Garantía limitada de 5 años en equipos de energía para exteriores y energía portátil EGO POWER+ para uso doméstico personal.

Garantía limitada de 3 años en paquetes de baterías y cargadores con el Sistema EGO POWER+ para uso doméstico personal.

Garantía limitada de 2 años/1 año en equipos de energía para exteriores, energía portátil, paquetes de baterías y cargadores EGO para uso profesional y comercial.

Los períodos de garantía detallados por productos se pueden encontrar en línea en <http://egopowerplus.com/pages/warranty-policy>.

Póngase en contacto con Servicio al Cliente de EGO de manera gratuita al 1-855-EGO-5656, cuando tenga preguntas o reclamaciones de garantía.

GARANTÍA LIMITADA DE SERVICIO

Los productos EGO están garantizados contra defectos de material o de fabricación a partir de la fecha de compra original al por menor durante el período de garantía aplicable. El producto defectuoso será reparado gratuitamente.

- a) Esta garantía se aplica solo al comprador original del distribuidor minorista autorizado de EGO y podría no ser transferible. Los distribuidores minoristas autorizados de EGO se identifican en línea, en <http://egopowerplus.com/pages/warranty-policy>.
- b) El período de garantía para productos reacondicionados o certificados de fábrica que se utilizan para fines residenciales es de 1 año, para fines industriales, profesionales o comerciales es de 90 días.
- c) El período de garantía para piezas del mantenimiento de rutina, incluidas, entre otras, cuchillas, cabezales de orilladoras, listones de cadenas, cadenas de motosierras, correas, barras raspadoras, boquillas de sopladores y todos los demás accesorios EGO, es de 90 días con fines residenciales y de 30 días para propósitos industriales, profesionales o comerciales. Estas piezas tienen cobertura durante 90/30 días por defectos de fabricación en condiciones normales de trabajo.
- d) Esta garantía queda nula si el producto se ha puesto en alquiler.

- e) Esta garantía no cubre daños producto de modificaciones, alteraciones o reparaciones no autorizadas.
- f) Esta garantía solo cubre defectos que surjan del uso normal y no cubre el mal funcionamiento, las fallas ni los defectos que resulten del mal uso, el abuso (que incluye la sobrecarga del producto más allá de su capacidad y sumergirlo en agua o en cualquier otro líquido), accidentes, negligencia o falta de instalación adecuada y mantenimiento o almacenamiento inadecuados.
- g) Esta garantía no cubre el deterioro normal del acabado exterior, incluidos, entre otros, rayones, abolladuras, trozos de pintura o cualquier corrosión o decoloración producida por el calor o limpiadores químicos y abrasivos.

CÓMO OBTENER EL SERVICIO

Para obtener el servicio de garantía, póngase en contacto con Servicio al Cliente de EGO de manera gratuita al **1-855-EGO-5656**. Cuando pida un servicio cubierto por la garantía, debe presentar el recibo con la fecha original de venta. Un centro de servicio autorizado será seleccionado para reparar el producto de acuerdo con los términos establecidos en la garantía. Cuando lleve el producto al centro de servicio autorizado, es posible que deba hacer un pequeño depósito cuando deje la herramienta. Este depósito se reembolsará cuando se considere que el servicio de reparación se haya cubierto con la garantía.

LIMITACIONES ADICIONALES

En la medida en que la ley aplicable lo permita, se deniegan todas las garantías implícitas, inclusive las garantías de COMERCIALIZADIDAD o IDONEIDAD PARA UN PROPÓSITO ESPECÍFICO. Todas las garantías implícitas, inclusive las garantías de comerciabilidad o idoneidad para un propósito específico, que no se puedan denegar bajo la ley estatal, están limitadas al período de garantía aplicable definido al comienzo de este artículo.

Chervon North America no se hará responsable por daños directos, indirectos, accidentales o resultantes.

Algunos estados no permiten limitaciones con respecto a la duración de una garantía implícita y/o no permiten la exclusión o limitación de daños accidentales o resultantes, de modo que las limitaciones antes descritas podrían no aplicarse en su caso.

Esta garantía le otorga derechos legales específicos, pero podría tener también otros derechos que varían según el estado.



Para obtener el servicio al cliente, póngase en contacto con nosotros de manera gratuita al: **1-855-EGO-5656** o visite: **EGOPOWERPLUS.COM**
EGO Customer Service, 769 SEWARD AVE NW / Suite 102 Grand Rapids, MI 49504

