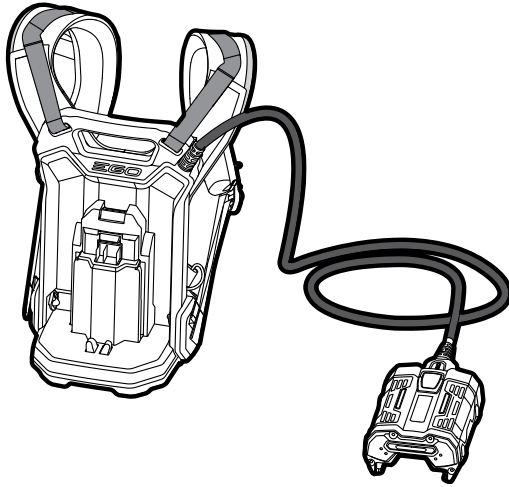


EGO™

BACKPACK LINK



OPERATOR'S MANUAL

56V LITHIUM-ION BACKPACK LINK

MODEL NUMBER BH1001

Français p. 19

Español p. 39

⚠ WARNING: To reduce the risk of injury, the user must read and understand the Operator's Manual before using this product. Save these instructions for future reference.

TABLE OF CONTENTS

Safety Symbols	4
Important Safety Instructions	5-6
Introduction	7
Specifications	7
Packing list	7
Description	8
Assembly	9
Operation	10-12
Maintenance	13-15
Troubleshooting	16
Warranty	17-18

READ ALL INSTRUCTIONS!



READ & UNDERSTAND
OPERATOR'S MANUAL

⚠ WARNING: Some dust created by power sanding, sawing, grinding, drilling and other construction activities contains chemicals known to the state of California to cause cancer, birth defects or other reproductive harm. Some examples of these chemicals are:

- Lead from lead-based paints,
- Crystalline silica from bricks and cement and other masonry products, and
- Arsenic and chromium from chemically-treated lumber.

Your risk from these exposures varies, depending on how often you do this type of work. To reduce your exposure to these chemical: work in a well-ventilated area, and work with approved safety equipment, such as those dust masks that are specially designed to filter out microscopic particles.

SAFETY SYMBOLS

The purpose of safety symbols is to attract your attention to possible dangers. The safety symbols and the explanations with them deserve your careful attention and understanding. The symbol warnings do not, by themselves, eliminate any danger. The instructions and warnings they give are no substitutes for proper accident prevention measures.

⚠ WARNING: Be sure to read and understand all safety instructions in this Operator's Manual, including all safety alert symbols such as "**DANGER**," "**WARNING**," and "**CAUTION**" before using this tool. Failure to following all instructions listed below may result in electric shock, fire, and/or serious personal injury.



⚠ WARNING: The operation of any power tool can result in foreign objects being thrown into your eyes, which can result in severe eye damage. Before beginning power tool operation, always wear safety goggles or safety glasses with side shields and a full face shield when needed. We recommend a Wide Vision Safety Mask for use over eyeglasses or standard safety glasses with side shields. Always use eye protection which is marked to comply with ANSI Z87.1.

IMPORTANT SAFETY INSTRUCTIONS

This page depicts and describes safety symbols that may appear on this product. Read, understand, and follow all instructions on the machine before attempting to assemble and operate.

	Safety Alert	Precautions that involve your safety.
	Read & Understand Operator's Manual	To reduce the risk of injury, user must read and understand the operator's manual before using this product.
	Eye Protection	Always wear safety goggles or safety glasses with side shields and a full face shield when operating this product.
	Recycle Symbols	This product uses lithium-ion (Li-ion) batteries. Local, state, or federal laws may prohibit disposal of batteries in ordinary trash. Consult your local waste authority for information regarding available recycling and/or disposal options.
V	Volt	Voltage

READ ALL INSTRUCTIONS BEFORE USING THIS PRODUCT!

⚠ WARNING: To ensure safety and reliability, all repairs should be performed by a qualified service technician.

⚠ WARNING: Don't wear other shoulder straps when using this backpack link. Wearing multi shoulder straps will increase the risks of not able to take the backpack link off your body promptly in case of emergency.

⚠ WARNING: To reduce risk of fire, electric shock, or injury:

- **The backpack link can be used with EGO handheld tools. Please read all applicable manuals and understand all safety instructions in these manuals.** Failure to follow all instructions may result in serious injury.

- **Make sure the backpack link is not defective, deformed or damaged.** If the backpack link is out of work, contact a qualified service technician to repair it or replace it with a new one.
- **Store the backpack link in a dry place.**
- **Never allow children to operate the backpack link.** Store it out of the reach of children.
- **Avoid using solvents when cleaning plastic parts.** Most plastics are susceptible to damage from various types of commercial solvents and may be damaged by their use. Use clean clothes to remove dirt, dust, oil, grease, etc.
- Use only with the adaptor, battery packs and power tools listed below.

ADAPTOR	BATTERY PACK	POWER TOOL
ADB1000(included)	All EGO Portable Batteries	All EGO Handheld Tools

- **Save these instructions.** Refer to them frequently and use them to instruct others who may use this tool. If you lend this tool to someone else, also lend these instructions to them to prevent misuse of the product and possible injury.

SAVE THESE INSTRUCTIONS!

INTRODUCTION

Congratulations on your selection of the EGO BACKPACK LINK. It has been designed, engineered and manufactured to give you the best possible dependability and performance.

Should you experience any problem you cannot easily remedy, please contact EGO customer service center 1-855-EGO-5656.

This manual contains important information on to the safe assembly, operation and maintenance of your product. Read it carefully before using the product. Keep this manual handy so you can refer to it at any time.

SERIAL NUMBER _____ DATE OF PURCHASE _____
YOU SHOULD RECORD BOTH SERIAL NUMBER AND DATE OF PURCHASE AND KEEP IN A SAFE PLACE FOR FUTURE REFERENCE.

SPECIFICATIONS

Applicable Battery	EGO 56V Batteries
Weight	4.71lb. (2.14kg)

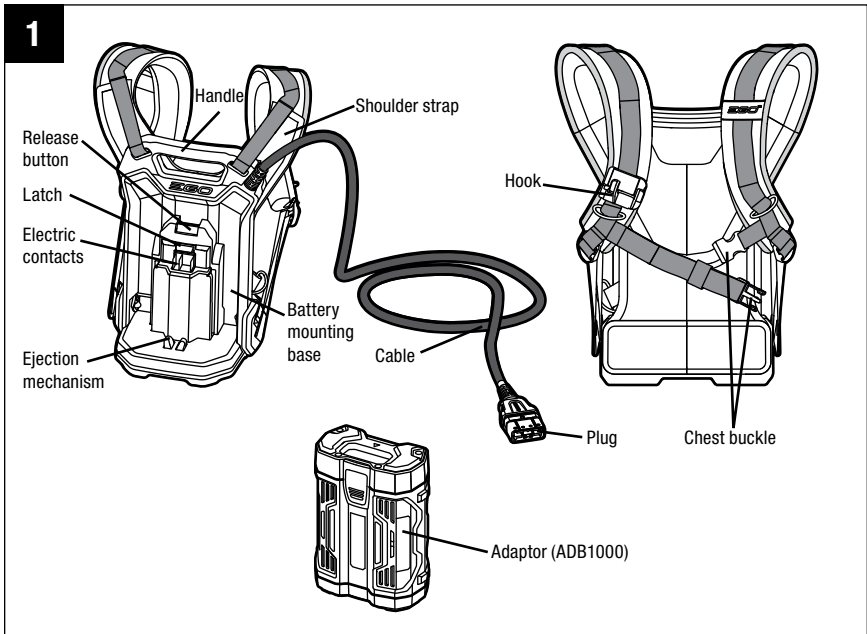
PACKING LIST

PART NAME	QUANTITY
Backpack Link	1
Adaptor	1
Operator's Manual	1

DESCRIPTION

KNOW YOUR BACKPACK LINK (Fig. 1)

The safe use of this product requires understanding of the information on the tool and in this operator's manual, as well as knowledge of the project you are attempting. Before use of this product, familiarize yourself with all operating features and safety rules.



ASSEMBLY

⚠ WARNING: If any parts are damaged or missing, do not operate this product until the parts are replaced. Use of this product with damaged or missing parts could result in serious personal injury.

⚠ WARNING: Do not attempt to modify this product or create accessories not recommended for use with this product. Any such alteration or modification is misuse and could result in a hazardous condition leading to possibly serious personal injury.

UNPACKING

- This product does not require assembly.
- Carefully remove the product and any accessories from the box. Make sure that all items listed in the packing list are included.
- Inspect the tool carefully to make sure that no breakage or damage occurred during shipping.
- Do not discard the packing material until you have carefully inspected and satisfactorily operated the tool.
- If any parts are damaged or missing, please return the product to the place of purchase.

OPERATION

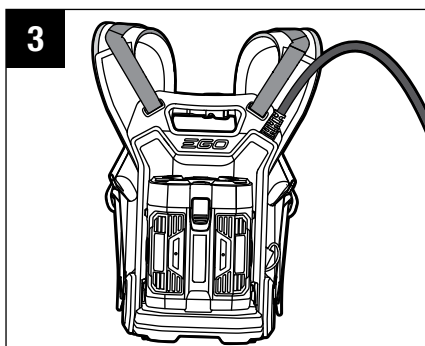
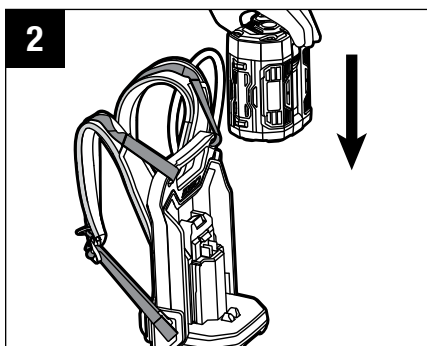
⚠ WARNING: Do not allow familiarity with this product to make you careless. Remember that a careless fraction of a second is sufficient to inflict serious injury.

APPLICATION

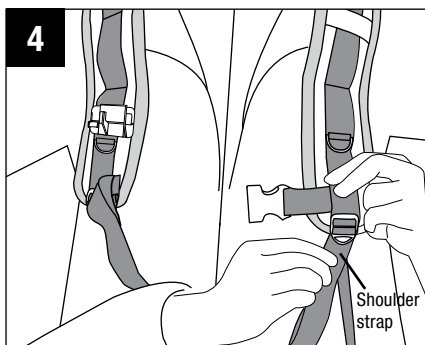
The backpack link can be used with all EGO portable batteries and is suitable for use with EGO handheld tools.

USE THE BACKPACK LINK

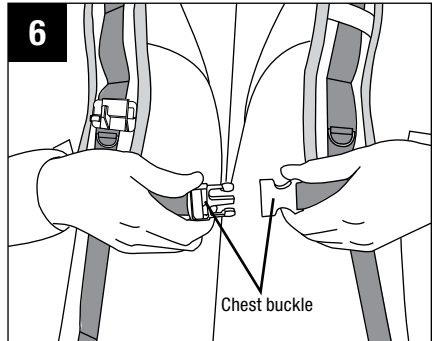
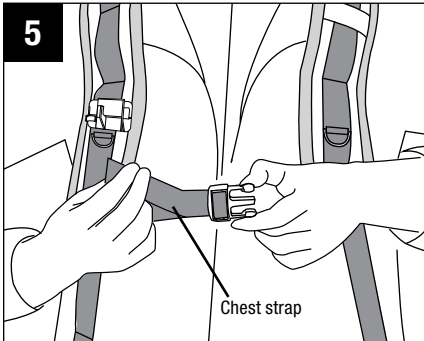
1. Align the raised ribs of the battery pack with the slots in the battery mounting base and slide the battery pack down onto the base (Fig. 2 & 3).



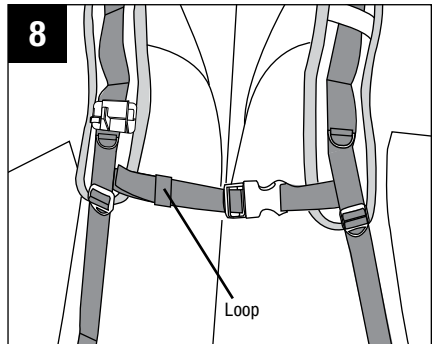
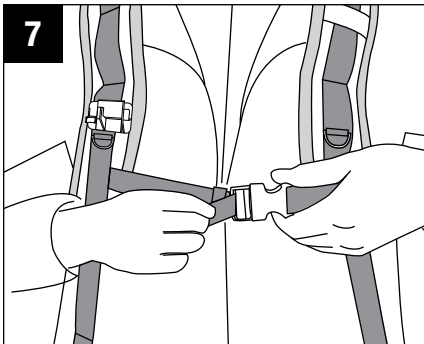
2. Put your arms through the backpack straps to wear the link.
3. Temporarily adjust both shoulder straps for your comfort, making sure that your arms are comfortable (Fig. 4).



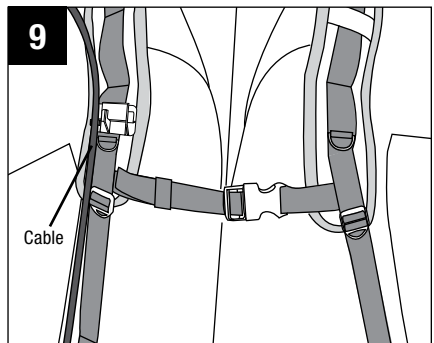
4. Adjust the length of the chest strap and then snap the chest buckle (Fig. 5 & 6).



5. Readjust the length of the chest strap to make it comfortable for you and then insert the trailing end of the chest strap through the retaining loop (Fig. 7 & 8).

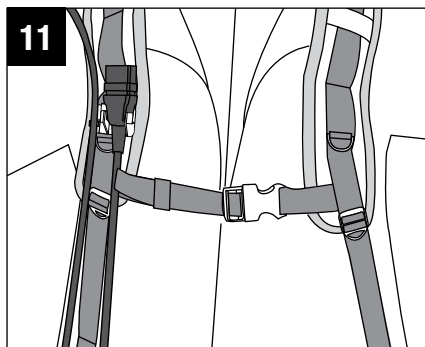
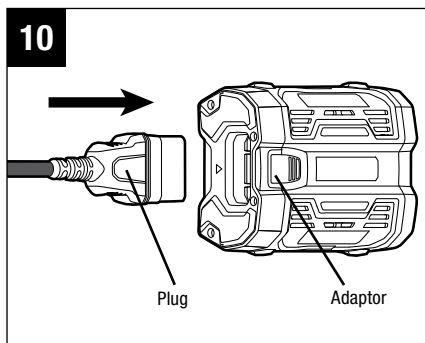


6. Slide the cable into the outside facing groove in the hook (Fig. 9).



7. Insert the plug into the adaptor
- (Fig.10).
8. Insert the adaptor into the EGO tool's battery receptacle.
9. Follow the instructions in the tool's operator's manual to start the tool.
10. After finishing work, remove the adaptor from the tool and then pull the plug out of the adaptor. Hang the plug on the hook (Fig. 11).

⚠ WARNING: In the event of any emergency or safety concern, immediately release the chest buckle and remove the backpack link.



MAINTENANCE

⚠ WARNING: When servicing, use only identical replacement parts. Use of any other parts may create a hazard or cause product damage. To ensure safety and reliability, all repairs should be performed by a qualified service technician.

GENERAL MAINTENANCE

Avoid using solvents when cleaning plastic parts. Most plastics are susceptible to damage from various types of solvents and may be damaged by their use. Use a clean cloth to remove dirt, dust, oil, grease, etc.

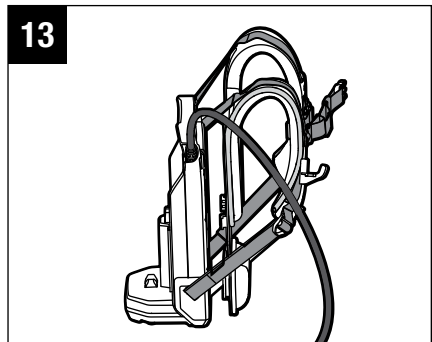
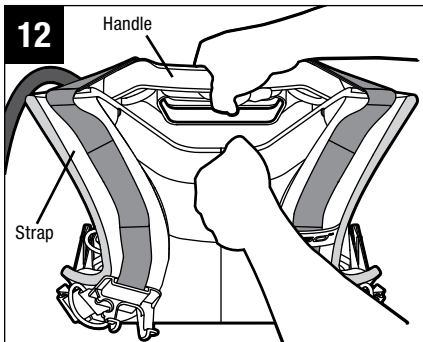
⚠ WARNING: When cleaning the backpack link, DO NOT immerse it in water or other liquids.

CLEANING

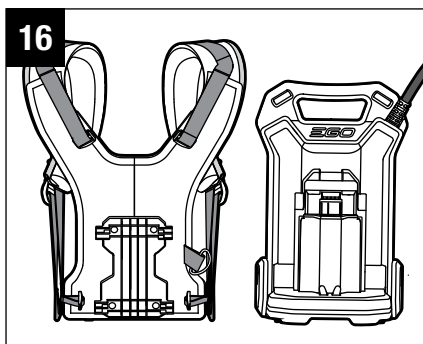
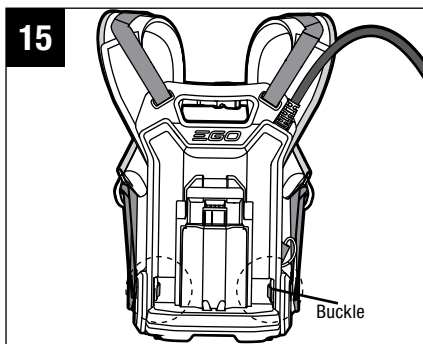
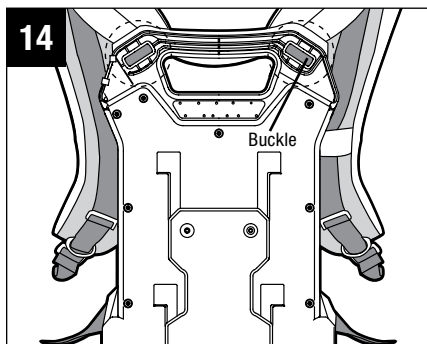
- Use a soft brush to remove debris on the surface.
- Do not use any strong detergents on the plastic housing or the handle. These parts can be damaged by certain aromatic oils, such as pine and lemon, and by solvents such as kerosene.
- Moisture can also cause a shock hazard. Wipe off any moisture with a soft dry cloth. NEVER use water for cleaning the tool.

REMOVE THE STRAP FOR CLEANING OR REPLACEMENT

1. With one hand grasping the handle, use the other hand to pull the strap up to separate the strap from the battery mounting base (Fig. 12 & 13).

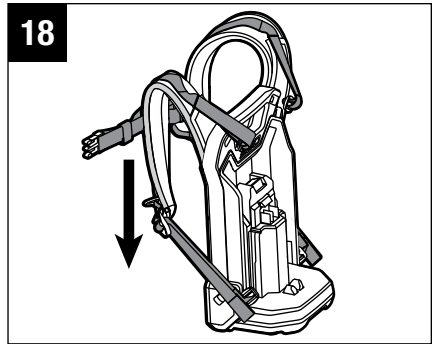
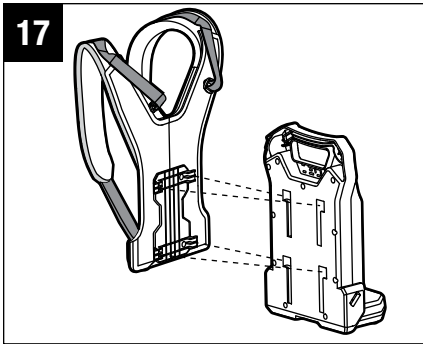


2. Pull the four buckles out of the holes of the battery mounting base (Fig. 14 & 15) to separate the strap from the plastic part of the link (Fig. 16).

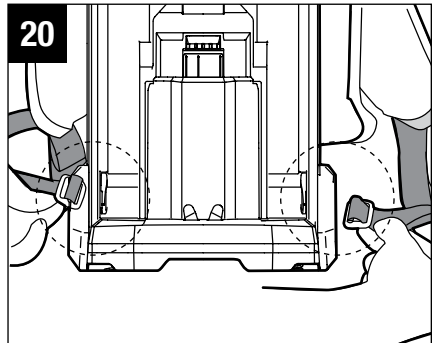
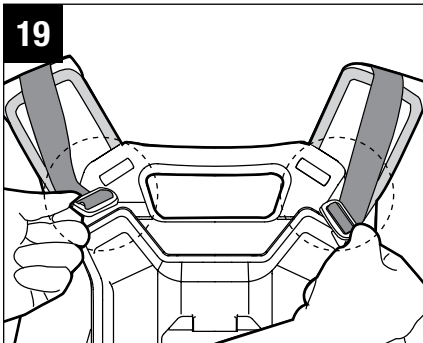


REPLACE THE STRAP

1. Replace the strap with the cleaned strap or a new backpack strap.
2. Align the ribs on the new strap with the grooves on the battery mounting base to engage them, then push down on the new strap to assemble them (Fig. 17 & 18).



3. Insert the four buckles on the strap into the holes in the battery mounting base to completely assemble the battery mounting base with the strap (Fig. 19 & 20).



STORAGE

1. Remove the battery pack and adaptor from the backpack link.
2. Clean all foreign material on the surface of the backpack link.
3. Fix the cable and the plug onto the hook.
4. Store in an enclosed space that is inaccessible to children. Keep away from corrosive agents, such as garden chemicals and de-icing salts.

TROUBLESHOOTING

PROBLEM	CAUSE	SOLUTION
Tool doesn't work	<ul style="list-style-type: none">▪ The battery pack is not attached to the backpack link.▪ No electrical contact between the backpack link and battery.▪ The battery pack is depleted.▪ No electrical contact between the plug and adaptor.▪ No electrical contact between the adaptor and tool.	<ul style="list-style-type: none">▪ Attach the battery pack to the backpack link.▪ Remove the battery, check contacts and reinstall the battery pack.▪ Charge the battery pack.▪ Disconnect the plug from the adaptor and reconnect the plug with the adaptor.▪ Disconnect the adaptor from the tool and reconnect them.

WARRANTY

EGO WARRANTY POLICY

5 year limited warranty on EGO outdoor power equipment and 3 year limited warranty on EGO POWER+ System battery packs and chargers.

Please contact EGO Customer Service Toll-Free at 1-855-EGO-5656 any time you have questions or warranty claims.

LIMITED SERVICE WARRANTY

FOR FIVE YEARS from the date of original retail purchase, this EGO product is warranted against defects in material or workmanship. Defective product will receive free repair.

FOR THREE YEARS from the date of original retail purchase, the EGO Power+ System battery pack and charger are warranted against defects in material or workmanship. Defective product will receive free repair.

- a) This warranty applies only to the original purchaser from an authorized EGO retailer and may not be transferred. Authorized EGO retailers are identified online at <http://egopowerplus.com/pages/warranty-policy>.
- b) The warranty period for any EGO product, battery pack and charger used for industrial, professional or commercial purpose is one year.
- c) The warranty period for reconditioned or refurbished products used for residential purpose is 1 year, for industrial, professional or commercial purpose is 90 days.
- d) The warranty period for routine maintenance parts, such as, but not limited to, blades, trimmer heads, chain bars, saw chains, belts, scraper bars, blower nozzles, and all other EGO accessories is 90 days for residential purpose, 30 days for industrial, professional or commercial purpose. These parts are covered for 90/30 days from manufacture defects in normal working conditions.
- e) This warranty is void if the product has been used for rental purpose.
- f) This warranty does not cover the damage resulting from modification, alteration or unauthorized repair.
- g) This warranty only covers defects arising under normal usage and does not cover any malfunction, failure or defect resulting from misuse, abuse (including overloading of the product beyond capacity and immersion in water or other liquid), accidents, neglect or lack of proper installation, and improper maintenance or storage.



- h) This warranty does not cover normal deterioration of the exterior finish, including but not limited to scratches, dents, paint chips, or to any corrosion or discoloring by heat, abrasive and chemical cleaners.

HOW TO OBTAIN SERVICE

For warranty service, please contact EGO customer service toll-free at **1-855-EGO-5656**. When requesting warranty service, you must present the original dated sales receipt. An authorized service center will be selected to repair the product according to the stated warranty terms. When bringing your product to the authorized service center, there may be a small deposit that will be required when dropping off your tool. This deposit is refundable when the repair service is deemed to be covered under warranty.

ADDITIONAL LIMITATIONS

To the extent permitted by applicable law, all implied warranties, including warranties of MERCHANTABILITY or FITNESS FOR A PARTICULAR PURPOSE, are disclaimed. Any implied warranties, including warranties of merchantability or fitness for a particular purpose, that cannot be disclaimed under state law are limited to five years from the date of purchase for outdoor power equipment and three years from date of purchase for battery pack and charger.

Chervon North America is not responsible for direct, indirect, incidental or consequential damages.

Some states do not allow limitations on how long an implied warranty lasts and/or do not allow the exclusion or limitation of incidental or consequential damages, so the above limitations may not apply to you.

This warranty gives you specific legal rights, and you may also have other rights which vary from state to state.

For customer service contact us toll-free at: **1-855-EGO-5656** or **EGOPOWERPLUS.COM**
EGO Customer Service, 120 Ionia Street SW / Suite 102 Grand Rapids, MI 49503

EGO™

BACKPACK LINK



GUIDE D'UTILISATION

SAC À DOS AVEC LIAISON À BLOC-PILE AU LITHIUM-ION DE 56 V

NUMÉRO DE MODÈLE BH1001

⚠ AVERTISSEMENT : Afin de réduire les risques de blessure, l'utilisateur doit lire et comprendre le guide d'utilisation avant d'utiliser ce produit. Conservez le présent guide afin de pouvoir le consulter ultérieurement.

TABLE DES MATIÈRES

Symboles de sécurité	22
Consignes de sécurité importantes	23-24
Introduction	25
Caractéristiques techniques	25
Liste des pièces contenues dans l'emballage	25
Description	26
Assemblage	27
Fonctionnement	28-30
Entretien	31-34
Dépannage	34
Garantie	35-37

LISEZ TOUTES LES INSTRUCTIONS!



ASSUREZ-VOUS DE LIRE
ET DE COMPRENDRE LE
GUIDE D'UTILISATION

⚠ AVERTISSEMENT : La poussière créée pendant le ponçage, le sciage, le polissage, le perçage et d'autres activités mécaniques liées à la construction peut contenir des produits chimiques reconnus par l'État de la Californie comme étant la cause de cancer, d'anomalies congénitales et d'autres problèmes liés aux fonctions reproductrices. Voici des exemples de ces produits chimiques :

- le plomb contenu dans la peinture au plomb;
- la silice cristallisée contenue dans les briques, le ciment et d'autres produits de maçonnerie; et
- l'arsenic et le chrome contenus dans le bois d'œuvre traité avec des produits chimiques.

Les risques liés à l'exposition à ces produits varient en fonction de la fréquence à laquelle vous effectuez ce type de travaux. Pour réduire votre exposition à ces produits chimiques, travaillez dans une zone bien ventilée et en portant l'équipement de sécurité approuvé, comme un masque antipoussières conçu spécialement pour ne pas laisser passer les particules microscopiques.

SYMBOLES DE SÉCURITÉ

L'objectif des symboles de sécurité est d'attirer votre attention sur les dangers potentiels. Vous devez examiner attentivement et bien comprendre les symboles de sécurité et les explications qui les accompagnent. Les symboles d'avertissement en tant que tels n'éliminent pas le danger. Les consignes et les avertissements qui y sont associés ne remplacent en aucun cas les mesures préventives adéquates.

⚠ AVERTISSEMENT : Assurez-vous de lire et de comprendre toutes les consignes de sécurité présentées dans le guide d'utilisation, notamment tous les symboles d'alerte de sécurité indiqués par « **DANGER** », « **AVERTISSEMENT** » et « **MISE EN GARDE** », avant d'utiliser cet outil. Le fait de ne pas respecter toutes les consignes de sécurité ci-dessous peut causer une décharge électrique, un incendie ou des blessures graves.



⚠ AVERTISSEMENT : Les outils électriques peuvent projeter des corps étrangers, présentant ainsi des risques de blessure aux yeux. Avant d'utiliser un outil électrique, veillez à toujours porter des lunettes de sécurité couvrantes ou à écrans latéraux, ou un masque complet au besoin. Nous recommandons le port d'un masque de sécurité panoramique par-dessus les lunettes ou de lunettes de sécurité standard avec écrans latéraux. Portez toujours des lunettes de sécurité conformes à la norme ANSI Z87.1.

CONSIGNES DE SÉCURITÉ IMPORTANTES

Vous trouverez ci-dessous les symboles de sécurité qui peuvent être présents sur le produit, accompagnés de leur description. Vous devez lire, comprendre et suivre toutes les instructions présentes sur l'appareil avant d'entamer son assemblage ou sa manipulation.

	Alerte de sécurité	Précautions destinées à assurer votre sécurité.
	Assurez-vous de lire et de comprendre le guide d'utilisation	Afin de réduire les risques de blessure, l'utilisateur doit lire et comprendre le guide d'utilisation avant d'utiliser ce produit.
	Lunettes de sécurité	Lorsque vous utilisez ce produit, portez toujours des lunettes de protection ou de sécurité à écrans latéraux et un masque de protection complet.
	Symboles de recyclage	Le produit fonctionne à l'aide de piles au lithium-ion (Li-ion). La législation locale, provinciale ou fédérale peut interdire la mise au rebut des piles dans les ordures ménagères. Consultez l'organisme local de gestion des déchets au sujet des possibilités offertes en ce qui concerne la mise au rebut ou le recyclage.
V	Volt	Tension

LISEZ TOUTES LES INSTRUCTIONS AVANT D'UTILISER CE PRODUIT!

⚠ AVERTISSEMENT : Pour garantir une utilisation sécuritaire du produit et sa fiabilité, toutes les réparations doivent être effectuées par un technicien qualifié.

⚠ AVERTISSEMENT : Ne portez pas d'autres bretelles lorsque vous utilisez ce sac à dos avec liaison. Le port de plusieurs bretelles augmente le risque d'être incapable d'enlever rapidement le sac à dos avec liaison en cas d'urgence.

⚠ AVERTISSEMENT : Afin de réduire les risques d'incendie, de choc électrique et de blessures :

- **Le sac avec dos avec liaison peut être utilisé avec les outils portatifs EGO. Veuillez lire tous les manuels applicables et comprendre toutes les consignes de sécurité de ces manuels.** Le non-respect des consignes de sécurité peut occasionner des blessures graves.
- **Assurez-vous que le sac à dos avec liaison n'est pas défectueux, déformé ni endommagé.** Si le sac à dos avec liaison ne fonctionne pas, communiquez avec un technicien qualifié pour le réparer ou remplacez-le par un nouveau.
- **Rangez le sac à dos avec liaison dans un endroit sec.**
- **Ne laissez jamais des enfants utiliser le sac à dos avec liaison.** Rangez le produit hors de la portée des enfants.
- **Évitez d'utiliser des solvants sur les pièces en plastique.** La plupart des plastiques sont susceptibles d'être endommagés par divers types de solvants commerciaux. Utilisez un linge propre pour enlever la terre, la poussière, l'huile, la graisse, etc.
- Utilisez le produit uniquement avec l'adaptateur, les blocs-piles et les outils électriques indiqués ci-dessous.

ADAPTATEUR	BLOC-PILE	OUTILS ÉLECTRIQUES
ADB1000 (inclus)	Tous les blocs-piles portatifs EGO	Tous les outils portatifs EGO

- **Conservez ces instructions.** Consultez-les régulièrement et utilisez-les pour expliquer le fonctionnement de l'outil à d'autres personnes qui l'utiliseraient. Si vous prêtez cet outil à une personne, prêtez-lui également ces instructions afin de prévenir un usage inapproprié et des blessures potentielles.

CONSERVEZ CES INSTRUCTIONS!

INTRODUCTION

Nous vous félicitons d'avoir choisi ce SAC À DOS AVEC LIAISON EGO. Cet outil a été conçu et fabriqué afin de vous offrir la meilleure fiabilité et le meilleur rendement possible.

Si vous éprouvez un problème que vous n'arrivez pas à régler facilement, veuillez communiquer avec le centre de service à la clientèle d'EGO au 1 855 EGO-5656.

Le présent guide contient des renseignements importants pour assembler, utiliser et entretenir en toute sécurité votre produit. Lisez-le soigneusement avant d'utiliser le produit. Conservez ce guide à portée de main afin de pouvoir le consulter à tout moment.

NUMÉRO DE SÉRIE _____ DATE D'ACHAT _____
NOUS VOUS RECOMMANDONS DE NOTER LE NUMÉRO DE SÉRIE ET LA DATE D'ACHAT ET DE LES CONSERVER EN LIEU SÛR AFIN DE POUVOIR LES CONSULTER ULTÉRIEUREMENT.

CARACTÉRISTIQUES TECHNIQUES

Blocs-piles requis	Blocs-piles EGO de 56 V
Poids	2,14 kg (4,71 lb)

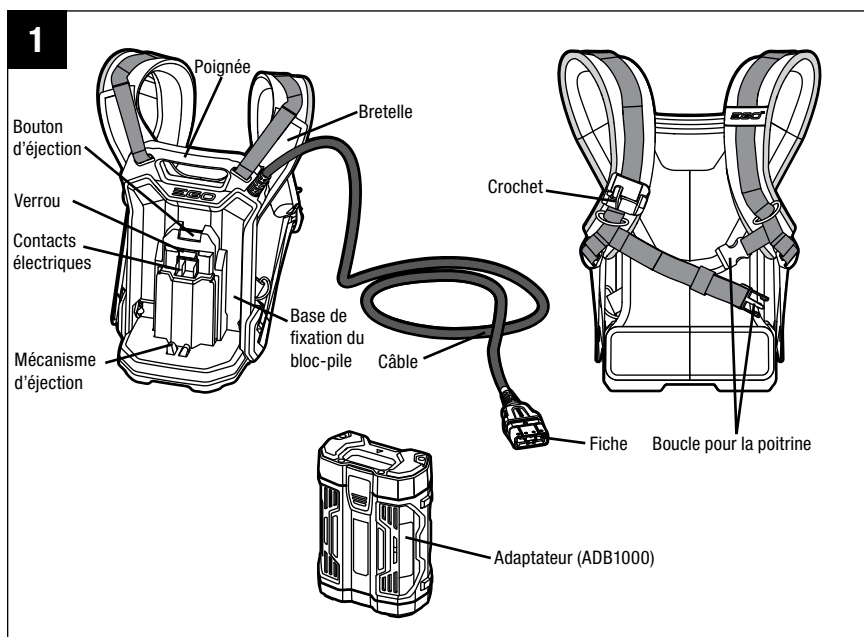
LISTE DES PIÈCES CONTENUES DANS L'EMBALLAGE

NOM DE PIÈCE	QUANTITÉ
Sac à dos avec liaison	1
Adaptateur	1
Guide d'utilisation	1

DESCRIPTION

FAMILIARISEZ-VOUS AVEC VOTRE SAC À DOS AVEC LIAISON (fig. 1)

Pour utiliser ce produit en toute sécurité, vous devez comprendre les renseignements figurant sur le produit et dans le présent guide d'utilisation et connaître le projet que vous entreprenez. Avant d'utiliser ce produit, familiarisez-vous avec toutes les caractéristiques de fonctionnement et consignes de sécurité.



ASSEMBLAGE

⚠ AVERTISSEMENT : S'il y a des pièces manquantes ou endommagées, ne tentez pas d'utiliser le produit tant que ces pièces n'auront pas été remplacées. L'utilisation de ce produit avec des pièces endommagées ou manquantes peut causer des blessures graves.

⚠ AVERTISSEMENT : Ne tentez pas de modifier ce produit ni de créer des accessoires qui ne sont pas recommandés pour ce produit. Toute altération ou modification de ce type constitue un usage inapproprié et peut engendrer une situation dangereuse susceptible de causer des blessures graves.

DÉBALLAGE

- Ce produit ne nécessite aucun assemblage.
- Retirez soigneusement l'outil et toutes les pièces de l'emballage. Assurez-vous que tous les éléments mentionnés sur la liste des pièces sont présents.
- Inspectez soigneusement l'outil pour vérifier qu'il n'a pas été endommagé pendant l'expédition.
- Ne jetez pas le matériel d'emballage avant d'avoir inspecté soigneusement la scie à chaîne et de l'avoir fait fonctionner de manière satisfaisante.
- S'il y a des pièces manquantes ou endommagées, veuillez retourner l'outil à l'endroit où vous l'avez acheté.

FONCTIONNEMENT

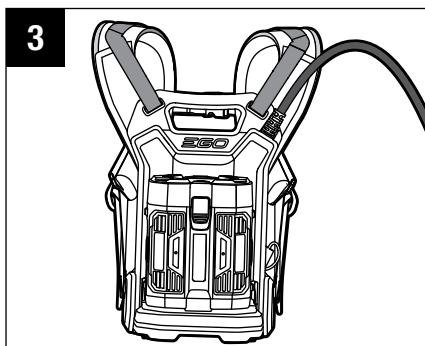
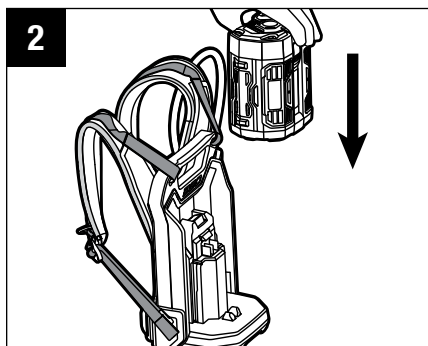
⚠ AVERTISSEMENT : Même si vous connaissez parfaitement ce produit, soyez vigilant. N'oubliez pas, il suffit d'être négligent une fraction de seconde pour se blesser gravement.

UTILISATION

Le sac à dos avec liaison peut être utilisé avec tous les blocs-piles portatifs EGO et les outils portatifs EGO.

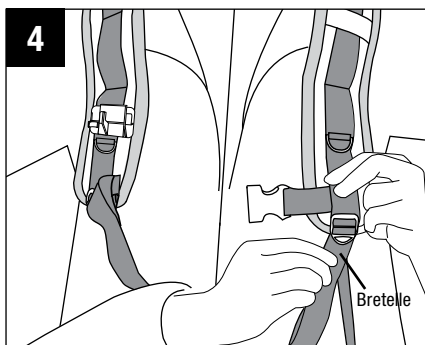
UTILISATION DU SAC À DOS AVEC LIAISON

1. Aligned les nervures du bloc-pile sur les fentes situées dans la base de fixation du bloc-pile, puis faites glisser le bloc-pile sur la base (fig. 2 et 3).

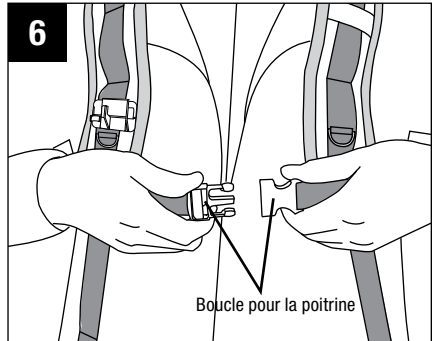
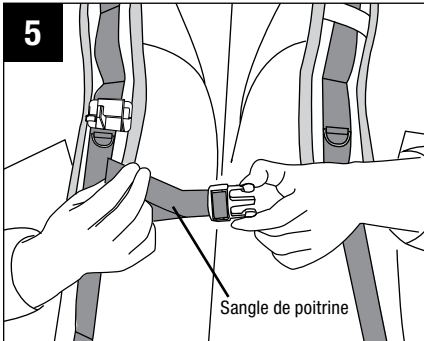


2. Passez les bras dans les bretelles du sac à dos pour porter le liaison.

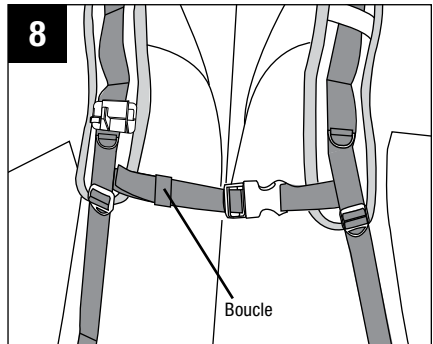
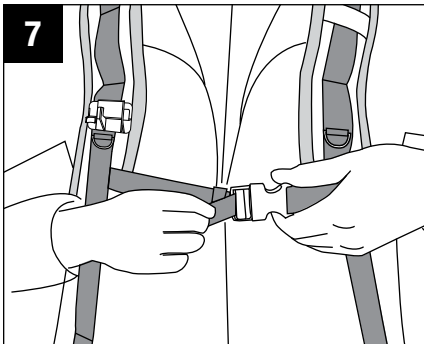
3. Ajustez temporairement les deux bretelles en vous assurant que le port soit confortable pour vos bras (fig. 4).



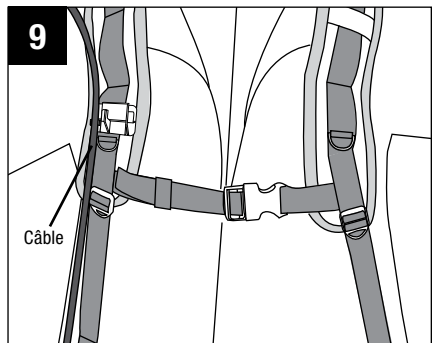
4. Réglez la longueur de la sangle de poitrine, puis attachez la boucle (fig. 5 et 6).



5. Réajustez la sangle de poitrine à une longueur confortable, puis insérez l'extrémité de la sangle dans la boucle de retenue (fig. 7 et 8).

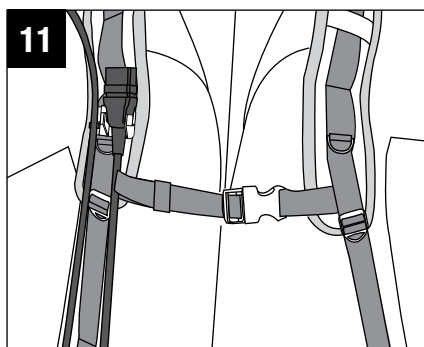
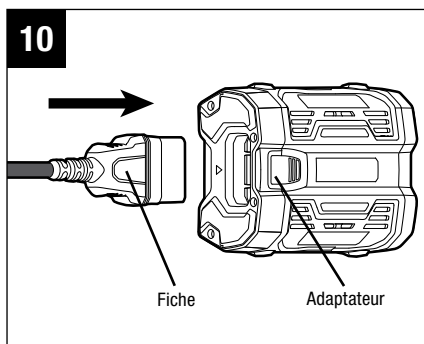


6. Insérez le câble dans la rainure orientée vers l'extérieur sur le crochet (fig. 9).



7. Insérez la fiche dans l'adaptateur (fig. 10).
8. Insérez l'adaptateur dans la fiche pour bloc-pile de l'outil EGO.
9. Suivez les instructions qui se trouvent dans le guide d'utilisation de l'outil pour le mettre en marche.
10. Une fois que vous avez terminé de l'utiliser, retirez l'adaptateur de l'outil, puis débranchez la fiche de l'adaptateur. Accrochez la fiche sur le crochet (fig. 11).

⚠ AVERTISSEMENT : En cas d'urgence ou de situation dangereuse, détachez immédiatement la boucle de poitrine et retirez le sac à dos avec liaison.



ENTRETIEN

⚠ AVERTISSEMENT : Lorsque vous procédez à l'entretien de l'outil, utilisez uniquement des pièces de remplacement identiques à celles d'origine. L'utilisation de toute autre pièce peut constituer un danger ou endommager le produit. Pour garantir une utilisation sécuritaire du produit et sa fiabilité, toutes les réparations doivent être effectuées par un technicien qualifié.

ENTRETIEN GÉNÉRAL

Évitez d'utiliser des solvants sur les pièces en plastique. La plupart des plastiques sont susceptibles d'être endommagés par divers types de solvants. Utilisez un linge propre pour enlever la saleté, la poussière, l'huile, la graisse, etc.

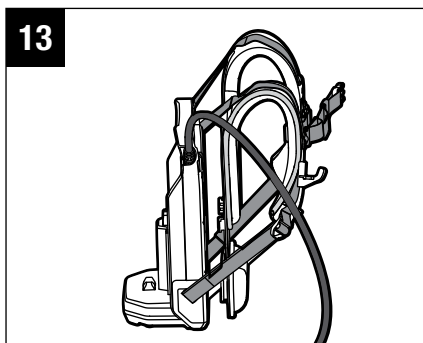
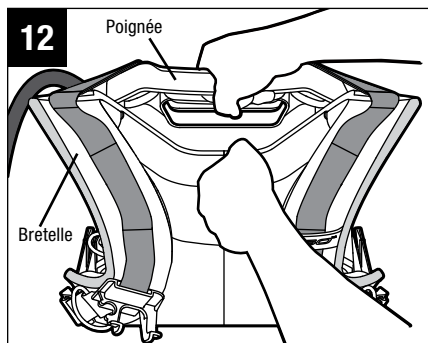
⚠ AVERTISSEMENT : Lors du nettoyage du sac à dos avec liaison, NE l'immergez PAS dans l'eau ou dans un autre liquide.

NETTOYAGE

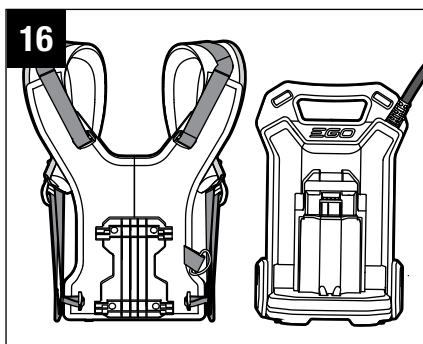
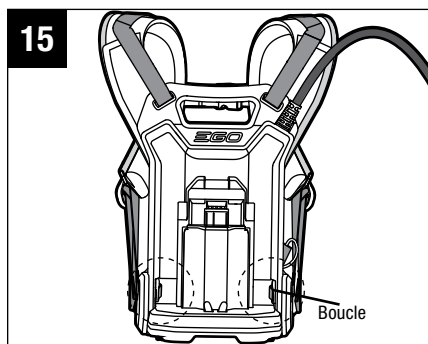
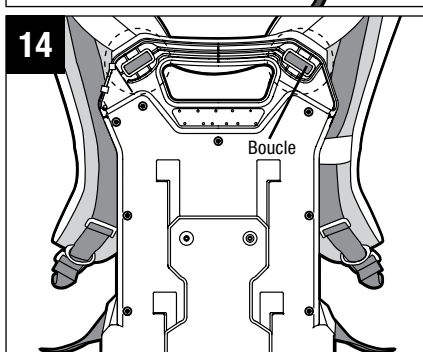
- Utilisez une brosse douce pour enlever les débris sur la surface.
- N'utilisez pas de détergents puissants pour nettoyer le boîtier en plastique ou la poignée. Certaines huiles aromatiques, comme le pin et le citron, et certains solvants, comme le kérosène, peuvent endommager ces pièces.
- L'humidité peut également créer un risque de choc électrique. Essuyez les parties humides à l'aide d'un linge sec et doux. N'utilisez JAMAIS d'eau pour nettoyer l'outil.

RETIREZ LES BRETELLES POUR LE NETTOYAGE OU LE REMPLACEMENT DE PIÈCES

1. Tenez fermement la poignée d'une main, puis utilisez l'autre main pour tirer sur les bretelles vers le haut afin de les séparer de la base de fixation du bloc-pile (fig. 12 et 13).

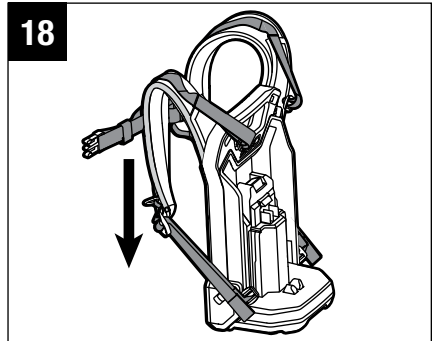
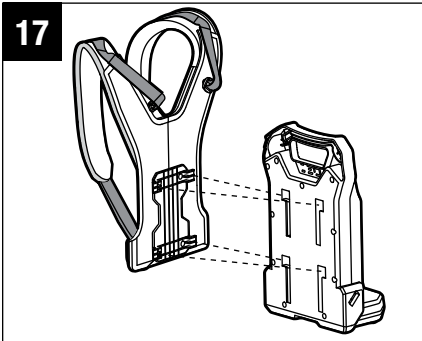


2. Retirez les quatre boucles des trous de la base de fixation du bloc-pile (fig. 14 et 15) pour séparer les bretelles de la partie en plastique de la liaison (fig. 16).

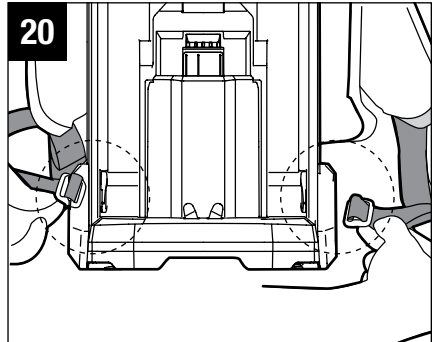
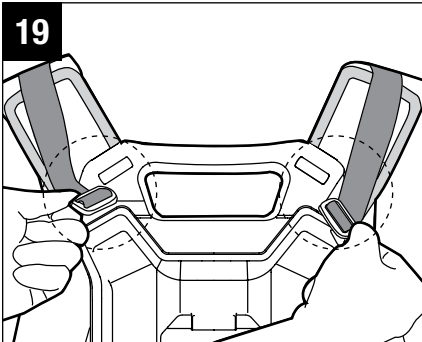


REPLACEMENT DES BRETELLES

1. Remplacez les bretelles après les avoir nettoyées ou remplacez-les par de nouvelles bretelles de sac à dos.
2. Alignez les nervures sur les nouvelles bretelles aux rainures sur la base de fixation du bloc-pile pour les emboîter, puis appuyez sur les bretelles pour les fixer (fig. 17 et 18).



3. Insérez les quatre boucles sur les bretelles, puis dans les trous sur la base de fixation du bloc-pile pour terminer l'assemblage de la base de fixation du bloc-pile et des bretelles (fig. 19 et 20).



RANGEMENT

1. Retirez le bloc-pile et l'adaptateur du sac à dos avec liaison.
2. Nettoyez toute matière étrangère à la surface du sac à dos avec liaison.
3. Fixez le câble et la fiche au crochet.
4. Rangez le produit dans un endroit fermé auquel les enfants n'ont pas accès. Rangez-le à l'écart des agents corrosifs, comme des produits chimiques de jardinage ou des sels de déglçage.

DÉPANNAGE

PROBLÈME	CAUSE	SOLUTION
L'outil ne fonctionne pas.	<ul style="list-style-type: none">■ Le bloc-pile n'est pas fixé au sac à dos avec liaison.■ Il n'y a aucun contact électrique entre le sac à dos avec liaison et le bloc-pile.■ Le bloc-pile est déchargé.■ Il n'y a pas de contact électrique entre la fiche et l'adaptateur.■ Il n'y a pas de contact électrique entre l'adaptateur et l'outil.	<ul style="list-style-type: none">■ Fixez le bloc-pile au sac à dos avec liaison.■ Retirez le bloc-pile, vérifiez les contacts électriques et réinstallez le bloc-pile.■ Chargez le bloc-pile.■ Débranchez la fiche de l'adaptateur, puis rebranchez-la.■ Débranchez l'adaptateur de l'outil, puis rebranchez-le.

GARANTIE

POLITIQUE D'EGO EN MATIÈRE DE GARANTIE

Une garantie limitée de 5 ans est offerte pour l'équipement électrique d'extérieur EGO et une garantie limitée de 3 ans est offerte pour les chargeurs et les blocs-piles EGO POWER+.

Veillez communiquer avec le service à la clientèle d'EGO au 1 855 EGO-5656 (numéro sans frais) pour toute question sur les réclamations au titre de la garantie.

GARANTIE LIMITÉE

À compter de la date d'achat originale, ce produit EGO est garanti **PENDANT CINQ ANS** contre les défauts de matériaux et de fabrication. Les produits défectueux seront réparés gratuitement.

À compter de la date d'achat originale, le chargeur et le bloc-pile EGO POWER+ sont garantis **PENDANT TROIS ANS** contre les défauts de matériaux et de fabrication. Les produits défectueux seront réparés gratuitement.

- a) Cette garantie s'applique uniquement à l'acheteur initial s'étant procuré le produit chez un détaillant EGO autorisé et est non transférable. La liste des détaillants EGO autorisés est publiée en ligne sur le site <http://egopowerplus.com/pages/warranty-policy>.
- b) La période de garantie pour le bloc-pile, le chargeur ou tout produit EGO utilisés à des fins industrielles, professionnelles ou commerciales est de un an.
- c) La période de garantie pour les produits remis en état ou remis à neuf utilisés à des fins résidentielles est de 1 an, et de 90 jours lorsqu'ils sont utilisés à des fins industrielles, professionnelles ou commerciales.
- d) La période de garantie pour les pièces d'entretien régulier, y compris, sans s'y limiter, les lames, les têtes de taille-bordure, les guides-chaînes, les chaînes de scie, les courroies, les barres de raclage, les buses de souffleur, ainsi que tous les autres accessoires EGO, est de 90 jours lorsqu'elles sont utilisées à des fins résidentielles et de 30 jours lorsqu'elles sont utilisées à des fins industrielles, professionnelles ou commerciales. Ces pièces sont couvertes contre les défauts de fabrication pour une période de 90 jours ou de 30 jours si elles sont utilisées dans des conditions de travail normales.
- e) La présente garantie n'est pas valide si le produit a été utilisé aux fins de location.

- f) La présente garantie ne couvre pas les dommages résultant d'une modification, d'une altération ou d'une réparation non autorisée.
- g) Cette garantie couvre uniquement les défauts survenant dans des conditions normales d'utilisation et ne couvre aucun dysfonctionnement ou défaut ni aucune défaillance découlant d'un usage inapproprié ou abusif (notamment la surcharge du produit et son immersion dans l'eau ou dans tout autre liquide), d'un accident, d'une négligence, d'une installation inadéquate et de tout entretien ou entreposage inadéquat.
- h) La présente garantie ne couvre pas la détérioration normale du fini extérieur, notamment les rayures, les bosselures, les craquelures de la peinture ou toute corrosion ou décoloration résultant de la chaleur, de produits abrasifs ou de nettoyants chimiques.

RÉCLAMATION AU TITRE DE LA GARANTIE

Pour faire une réclamation au titre de la garantie, veuillez communiquer avec le service à la clientèle d'EGO au **1 855 EGO-5656** (numéro sans frais). Lorsque vous faites une réclamation au titre de la garantie, vous devez présenter le reçu de vente original. Un centre de service autorisé sera sélectionné pour la réparation du produit conformément aux conditions de garantie prescrites. Il se peut qu'un petit dépôt soit exigé lorsque vous laissez votre outil dans un centre de service autorisé. Ce dépôt est remboursable lorsque le service de réparation est considéré comme étant couvert par la garantie.

RESTRICTIONS SUPPLÉMENTAIRES

Dans les limites prescrites par la législation locale, toutes les garanties implicites, notamment les garanties de QUALITÉ MARCHANDE ou d'ADÉQUATION POUR UN USAGE PARTICULIER, sont non valides. Toute garantie implicite, notamment les garanties de qualité marchande ou d'adéquation pour un usage particulier, qui ne peut être déclinée en vertu de la législation provinciale est limitée à cinq (5) ans à compter de la date d'achat pour l'équipement électrique d'extérieur et à trois (3) ans à compter de la date d'achat pour les chargeurs et blocs-piles.

Chervon North America n'est pas responsable des dommages accessoires, consécutifs, indirects ou directs.

Certaines provinces et certains États n'autorisent pas les restrictions de durée de garantie implicite, ou l'exclusion ou la restriction des dommages consécutifs et accessoires; c'est pourquoi les restrictions ci-dessus peuvent ne pas s'appliquer à votre cas.



Cette garantie vous confère des droits précis. Il est possible que vous disposiez également d'autres droits, qui varient d'un État ou d'une province à l'autre.

Pour communiquer avec le service à la clientèle, veuillez composer le numéro sans frais suivant : **1 855 EGO-5656**. Vous pouvez également consulter le site **EGOPOWERPLUS.COM** ou écrire à EGO Customer Service, 120 Ionia Street SW, Suite 102, Grand Rapids, MI 49503, États-Unis.

EGO™

BACKPACK LINK



MANUAL DEL OPERADOR

MOCHILA CON ENLACE DE IONES DE LITIO DE 56 VOLTIOS

MODELO NÚMERO BH1001

⚠ ADVERTENCIA: para reducir el riesgo de lesiones, el usuario debe leer y comprender el Manual del usuario antes de usar este producto. Guarde estas instrucciones para consultarlas en caso sea necesario.

ÍNDICE

Símbolos de seguridad	42
Instrucciones importantes de seguridad	43-44
Introducción	45
Especificaciones	45
Lista de empaque	45
Descripción	46
Ensamblaje	47
Funcionamiento	48-50
Mantenimiento	51-54
Solución de problemas	54
Garantía	55-56

LEA TODAS LAS INSTRUCCIONES.



LEA Y COMPRENDA EL
MANUAL DEL OPERADOR

⚠ ADVERTENCIA: parte del polvo producto del lijado, aserrado, esmerilado, taladrado y otras actividades de construcción, contiene sustancias químicas que el estado de California reconoce como causantes de cáncer, defectos congénitos u otros daños al sistema reproductor. Algunos ejemplos de estas sustancias químicas son los siguientes:

- Plomo de pinturas a base de plomo.
- Sílice cristalina de ladrillos y cemento, y de otros productos de mampostería.
- Arsénico y cromo de maderas tratadas químicamente.

El riesgo de sufrir estas exposiciones varía según la frecuencia con que realice este tipo de trabajo. Para reducir la exposición a estas sustancias químicas: Trabaje en un área bien ventilada y con el equipo de seguridad aprobado, como las mascarillas antipolvo especialmente diseñadas para filtrar partículas microscópicas.

SÍMBOLOS DE SEGURIDAD

El fin de los símbolos de seguridad es alertarlo sobre posibles peligros. Los símbolos de seguridad y las explicaciones que se dan merecen su atención y comprensión cuidadosa. Las advertencias del símbolo no eliminan por sí mismas ningún peligro. Las instrucciones y las advertencias no sustituyen las medidas adecuadas de prevención de accidentes.

⚠ ADVERTENCIA: asegúrese de leer y comprender todas las instrucciones de seguridad que contiene este Manual del operador, incluidos todos los símbolos de alerta de seguridad, como **“PELIGRO”**, **“ADVERTENCIA”** y **“PRECAUCIÓN”** antes de usar esta herramienta. Si no se siguen todas las instrucciones que figuran a continuación, se pueden producir electrocuciones, incendios y lesiones.



⚠ ADVERTENCIA: el uso de cualquier herramienta eléctrica puede tener como consecuencia que objetos extraños salgan expedidos hacia los ojos, lo que puede provocar daños oculares graves. Antes de comenzar a operar una herramienta eléctrica, use siempre lentes de protección o gafas de seguridad con blindaje lateral y un protector facial si es necesario. Recomendamos usar una máscara de seguridad de visión amplia sobre los lentes o las gafas de seguridad estándar con protección lateral. Use siempre lentes de protección con la marca de cumplimiento de la norma ANSI Z87.1.

INSTRUCCIONES IMPORTANTES DE SEGURIDAD

En esta página se muestran y describen los símbolos de seguridad que pueden aparecer en este producto. Lea, comprenda y siga todas las instrucciones de la máquina antes de ensamblarla y utilizarla.

	Alerta de seguridad	Precauciones que involucran su seguridad.
	Lea y comprenda el manual del operador	Para reducir el riesgo de lesiones, el usuario debe leer y comprender el Manual del operador antes de utilizar este producto.
	Lentes de protección	Siempre use gafas o lentes de seguridad con protecciones laterales y una careta protectora cuando opere este producto.
	Símbolos de reciclaje	Este producto usa baterías de iones de litio (Li-ion). Es posible que las leyes municipales, provinciales o nacionales prohíban desechar las baterías con los residuos comunes. Consulte a la autoridad local en materia de residuos sobre las opciones de eliminación y reciclaje disponibles.
V	Voltios	Voltaje

LEA TODAS LAS INSTRUCCIONES ANTES DE USAR ESTE PRODUCTO.

⚠️ ADVERTENCIA: Para garantizar la seguridad y fiabilidad, un técnico calificado debe realizar todas las reparaciones.

⚠️ ADVERTENCIA: no use otras correas para hombro cuando use este mochila con enlace. Si usa varias correas para hombro, aumentará los riesgos de no poder quitarse rápidamente el mochila con enlace en caso de emergencia.

⚠️ ADVERTENCIA: para reducir el riesgo de incendio, descargas eléctricas o lesiones:

- **El mochila con enlace puede usarse con herramientas manuales EGO. Lea todos los manuales correspondientes y comprenda todas las instrucciones de seguridad en estos manuales.** Si no se siguen todas las instrucciones, se podrían provocar lesiones graves.
- **Asegúrese de que el mochila con enlace no esté defectuoso, deformado ni dañado.** Si el mochila con enlace no funciona, póngase en contacto con un técnico de servicio calificado para que lo repare o reemplácelo por uno nuevo.
- **Guarde el mochila con enlace en un lugar seco.**
- **Nunca permita que los niños utilicen el arnés tipo mochila.** Guárdelo alejado del alcance de los niños.
- **Evite el uso de solventes para limpiar las piezas de plástico.** La mayoría de los plásticos tienden a dañarse con los distintos tipos de solventes comerciales. Utilice paños limpios para eliminar la suciedad, el polvo, el aceite, la grasa, etc.
- Use solamente con el adaptador, el paquete de baterías y las herramientas eléctricas que se indican a continuación.

ADAPTADOR	PAQUETE DE BATERÍAS	HERRAMIENTA ELÉCTRICA
ADB1000 (se incluyen)	Todas las baterías portátiles EGO	Todas las herramientas manuales EGO

- **Guarde estas instrucciones.** Consúltelas periódicamente y utilícelas para instruir a otras personas que quizás utilicen esta herramienta. Si presta la herramienta a alguien más, préstele también estas instrucciones para prevenir el mal uso del producto y posibles lesiones.

GUARDE ESTAS INSTRUCCIONES.

INTRODUCCIÓN

Felicitaciones por haber elegido un MOCHILA CON ENLACE EGO. Está pensado, diseñado y fabricado para brindarle el mejor rendimiento y la mejor confiabilidad posibles.

Si experimenta algún problema que no puede solucionar fácilmente, llame al 1-855-EGO-5656 para ponerse en contacto con el Centro de servicio al cliente de EGO.

Este manual contiene información importante para el ensamblaje, la operación y el mantenimiento seguro de su producto. Léalo atentamente antes de usar el producto. Mantenga este manual a mano para poder consultarlo en cualquier momento.

FECHA DE COMPRA _____ FECHA DE COMPRA _____
ANOTE EL NÚMERO DE SERIE Y LA FECHA DE COMPRA, Y GUARDE ESTOS DATOS EN UN LUGAR SEGURO PARA CONSULTARLOS EN CASO DE QUE SEA NECESARIO.

ESPECIFICACIONES

Batería correspondiente Baterías	EGO de 56 voltios
Peso	2,14 kg (4.71 lb.)

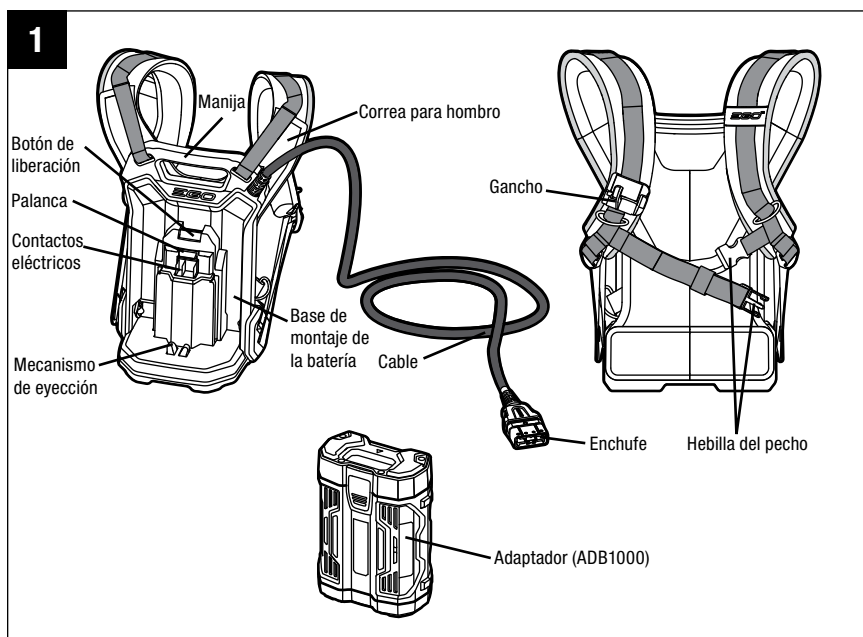
LISTA DE EMPAQUE

NOMBRE DE LA PIEZA	CANTIDAD
Mochila con enlace	1
Adaptador	1
Manual del operador	1

DESCRIPCIÓN

CONOZCA EL MOCHILA CON ENLACE (Fig. 1)

El uso seguro de este producto requiere la comprensión de la información impresa en la herramienta y en el Manual del operador, así como ciertos conocimientos sobre el proyecto a realizar. Antes de usar este producto, familiarícese con todas las características operativas y reglas de seguridad.



ENSAMBLAJE

⚠ ADVERTENCIA: si faltan piezas o estas están dañadas, no opere este producto hasta reemplazar dichas piezas. El uso de este producto con piezas dañadas o faltantes podría provocar lesiones graves.

⚠ ADVERTENCIA: no intente modificar este producto ni crear accesorios que no sean recomendados para utilizar con este producto. Cualquier alteración o modificación es considerada un mal uso y podría causar una condición peligrosa que podría producir lesiones personales graves.

DESEMBALAJE

- Este producto no requiere ensamblaje.
- Retire con cuidado el producto y cualquier accesorio de la caja. Asegúrese de que todos los elementos que aparecen en la lista de empaque estén incluidos.
- Inspeccione la herramienta con cuidado para asegurarse de que no se hayan roto ni dañado piezas durante el envío.
- No deseche el material de embalaje hasta que haya inspeccionado cuidadosamente y utilizado satisfactoriamente la herramienta.
- Si hay piezas faltantes o dañadas, devuelva este producto al lugar donde lo compró.

FUNCIONAMIENTO

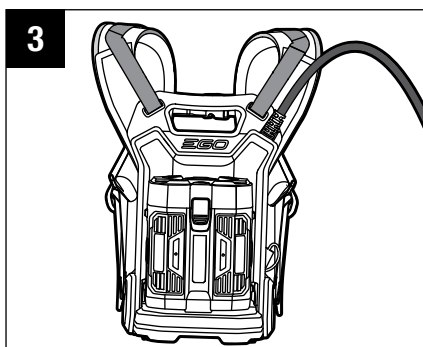
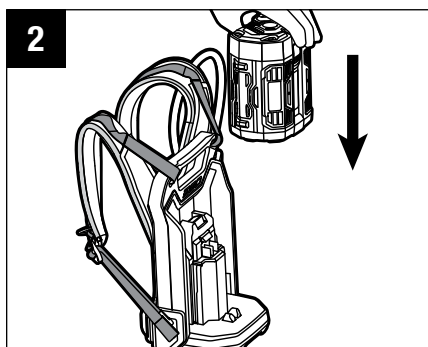
⚠ ADVERTENCIA: no permita que familiarizarse con este producto lo vuelva imprudente. Recuerde que un descuido de una fracción de segundo es suficiente para ocasionar lesiones graves.

APLICACIÓN

El mochila con enlace puede usarse con todas las baterías portátiles EGO y es apto para el uso con herramientas manuales EGO.

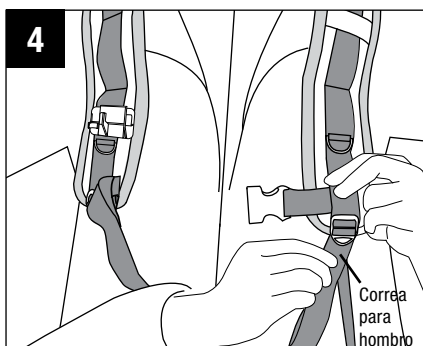
USO DEL MOCHILA CON ENLACE

1. Alinee las aletas elevadas del paquete de baterías con las ranuras de la base de montaje de la batería y deslice el paquete de baterías en la base (Fig. 2 y 3).

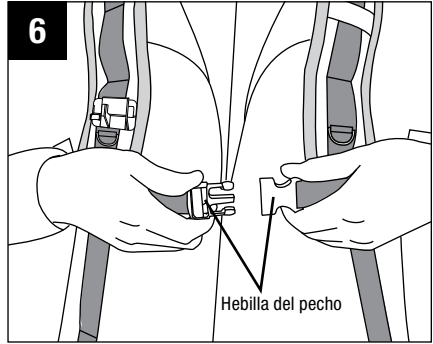
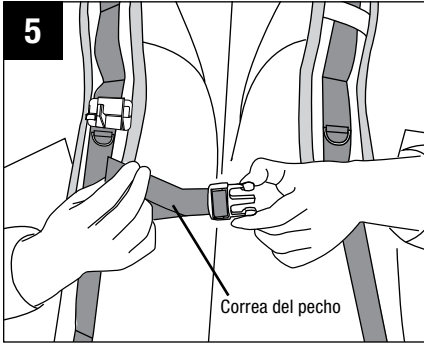


2. Pase los brazos por las correas de la mochila para usar el enlace.

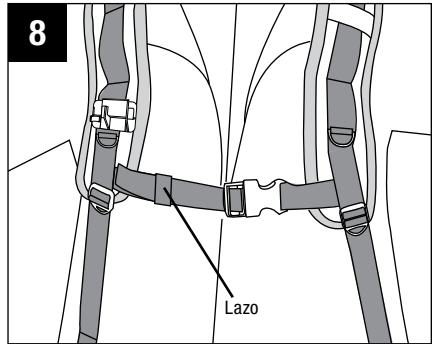
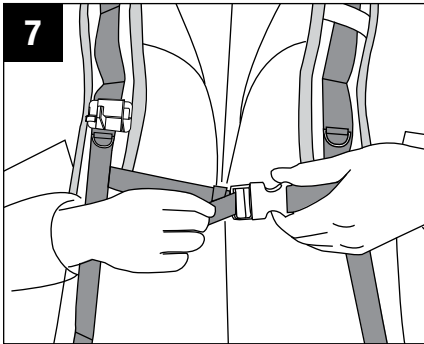
3. Ajuste temporalmente ambas correas para hombro para su comodidad y asegúrese de que los brazos estén cómodos (Fig. 4).



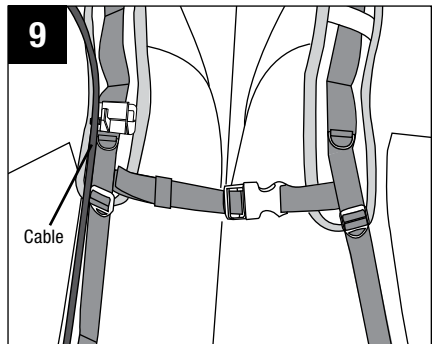
4. Ajuste el largo de la correa del pecho y, luego, prenda la hebilla del pecho (Fig. 5 y 6).



5. Vuelva a ajustar el largo de la correa del pecho a una posición cómoda y, luego, inserte el extremo de la correa del pecho que sobra por el lazo de retención (Fig. 7 y 8).

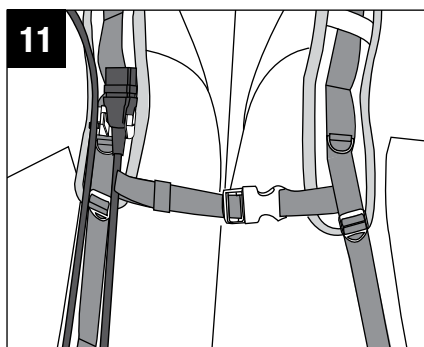
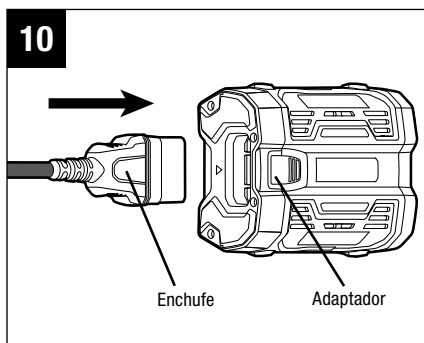


6. Deslice el cable en la ranura externa del gancho (Fig. 9).



7. Inserte el enchufe en el adaptador (Fig. 10).
8. Inserte el adaptador en el tomacorriente de la batería de la herramienta EGO.
9. Siga las instrucciones del manual del operador de la herramienta para hacerla arrancar.
10. Después de finalizar el trabajo, retire el adaptador de la herramienta y el enchufe del adaptador. Cuelgue el enchufe en el gancho (Fig. 11).

⚠ ADVERTENCIA: en caso de emergencia o problema de seguridad, libere inmediatamente la hebilla del pecho y retire el mochila con enlace.



MANTENIMIENTO

⚠ ADVERTENCIA: al realizarle mantenimiento, use solo piezas de repuesto idénticas. El uso de cualquier otra pieza puede crear un peligro o causar daños en el producto. Para garantizar la seguridad y fiabilidad, un técnico calificado debe realizar todas las reparaciones.

MANTENIMIENTO GENERAL

Evite el uso de solventes para limpiar las piezas de plástico. La mayoría de los plásticos tienden a dañarse con los distintos tipos de solventes. Utilice un paño limpio para eliminar la suciedad, el polvo, el aceite, la grasa, etc.

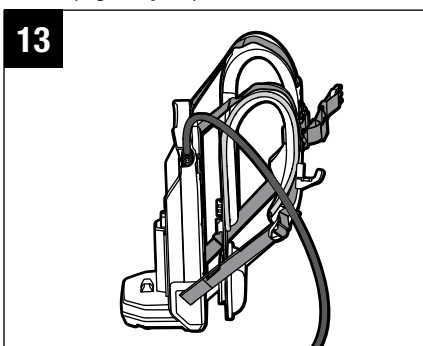
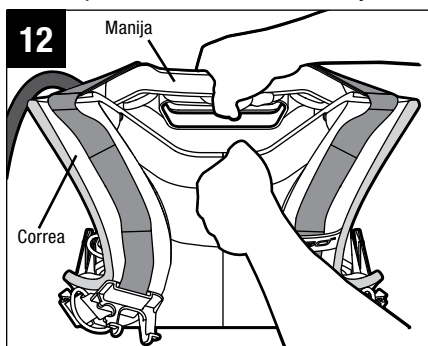
⚠ ADVERTENCIA: al limpiar el mochila con enlace, NO lo sumerja en agua ni en otros líquidos.

LIMPIEZA

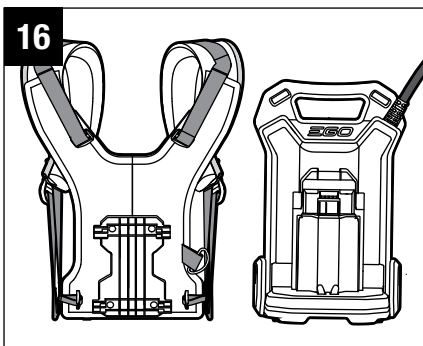
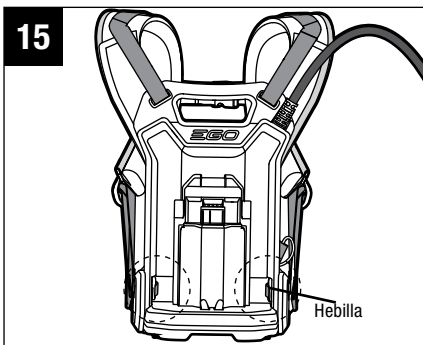
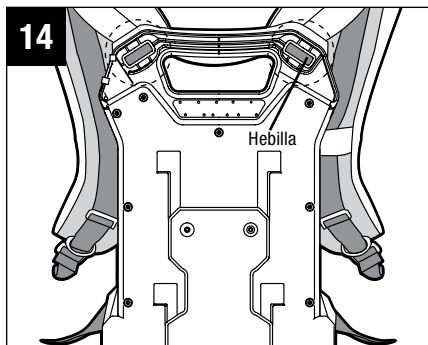
- Use un cepillo suave para eliminar desechos de la superficie.
- No utilice detergentes fuertes en el armazón de plástico o en la manija. Las piezas pueden resultar dañadas por ciertos aceites aromáticos, como el pino y el limón, y por solventes, como el querosene.
- La humedad también puede ocasionar riesgo de descarga eléctrica. Limpie la humedad con un paño suave y seco. NUNCA utilice agua para limpiar la herramienta.

CÓMO RETIRAR LA CORREA PARA LIMPIARLA O REEMPLAZARLA

1. Con una mano, sostenga la manija, y con la otra, jale la correa hacia arriba para separarla de la base de montaje de la batería (Fig. 12 y 13).

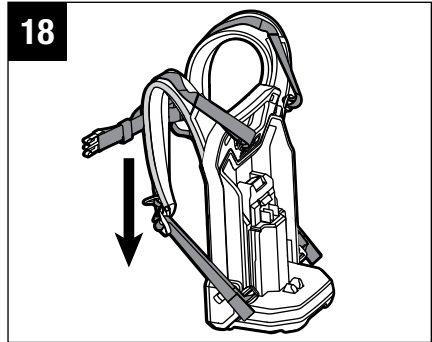
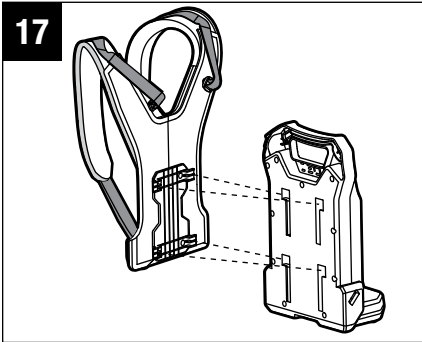


2. Retire las cuatro hebillas de los orificios de la base de montaje de la batería (Fig. 14 y 15) para separar la correa de la parte plástica del enlace (Fig. 16).

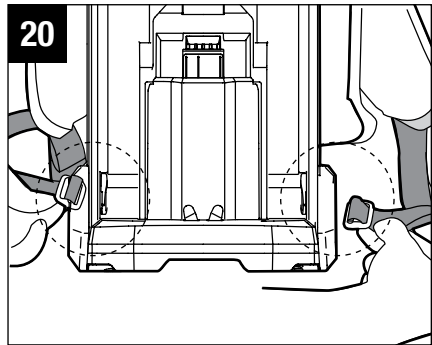
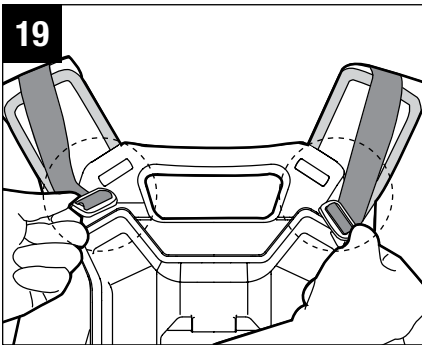


CÓMO REEMPLAZAR LA CORREA

1. Reemplace la correa con la correa limpia o con una correa nueva.
2. Alinee las aletas en la correa nueva con las ranuras de la base de montaje de la batería para que encajen. Luego, empuje la correa nueva hacia abajo para ensamblarlas (Fig. 17 y 18).



3. Alinee las aletas en la correa nueva con las ranuras de la base de montaje de la batería para que encajen. Luego, empuje la correa nueva hacia abajo para ensamblarlas (Fig. 19 y 20).



ALMACENAJE

1. Retire el paquete de baterías y el adaptador del mochila con enlace.
2. Limpie todo el material extraño de la superficie del mochila con enlace.
3. Ajuste el cable y el enchufe en el gancho.
4. Guárdelo en un lugar cerrado que no sea accesible para los niños. Mantenga alejado de agentes corrosivos, como productos químicos para jardín y sales para derretir hielo.

SOLUCIÓN DE PROBLEMAS

PROBLEMA	CAUSA	SOLUCIÓN
La herramienta no funciona	<ul style="list-style-type: none">■ El paquete de baterías no está bien ensamblado al mochila con enlace.■ No hay contacto eléctrico entre el mochila con enlace y la batería.■ El paquete de baterías está agotado.■ No hay contacto eléctrico entre el enchufe y el adaptador.■ No hay contacto eléctrico entre el adaptador y la herramienta.	<ul style="list-style-type: none">■ Ensamble el paquete de baterías al mochila con enlace.■ Retire la batería, revise los contactos y vuelva a instalar el paquete de batería.■ Cargue el paquete de baterías.■ Desconecte el enchufe del adaptador y, luego, vuelva a conectarlo.■ Desconecte el enchufe del adaptador y, luego, vuelva a conectarlo.

GARANTÍA

POLÍTICA DE GARANTÍA EGO

Garantía limitada de 5 años para el equipo eléctrico para exteriores EGO y garantía limitada de 3 años para los cargadores y las baterías del Sistema EGO POWER+.

Póngase en contacto con Servicio al Cliente de EGO de manera gratuita al 1-855-EGO-5656 cuando tenga preguntas o reclamaciones de garantía.

GARANTÍA LIMITADA DE SERVICIO

Este producto EGO está garantizado contra defectos en los materiales y la mano de obra POR CINCO AÑOS desde la fecha de su compra original. El producto defectuoso se reparará de manera gratuita.

El cargador y las baterías del Sistema EGO POWER+ están garantizados contra defectos en los materiales y la mano de obra DURANTE TRES AÑOS desde la fecha de compra original. El producto defectuoso se reparará de manera gratuita.

- a) Esta garantía se aplica solo al comprador original del distribuidor minorista autorizado de EGO y podría no ser transferible. Los distribuidores minoristas autorizados de EGO se identifican en línea, en <http://egopowerplus.com/pages/warranty-policy>.
- b) El período de garantía para cualquier producto, cargador y batería EGO para propósitos industriales, profesionales o comerciales es de un año.
- c) El período de garantía para productos reacondicionados o reparados utilizados con fines residenciales es de 1 año, y para propósitos industriales, profesionales o comerciales es de 90 días.
- d) El período de garantía para piezas del mantenimiento de rutina, incluidas, entre otras, cuchillas, cabezales de orilladoras, listones de cadenas, cadenas de motosierras, correas, barras raspadoras, boquillas de sopladores y todos los demás accesorios EGO, es de 90 días con fines residenciales y de 30 días para propósitos industriales, profesionales o comerciales. Estas piezas tienen cobertura durante 90/30 días por defectos de fabricación en condiciones normales de trabajo.
- e) Esta garantía queda nula si el producto se ha puesto en alquiler.
- f) Esta garantía no cubre daños producto de modificaciones, alteraciones o reparaciones no autorizadas.

- g) Esta garantía solo cubre defectos que surjan del uso normal y no cubre el mal funcionamiento, las fallas ni los defectos que resulten del mal uso, el abuso (que incluye la sobrecarga del producto más allá de su capacidad y sumergirlo en agua o en cualquier otro líquido), accidentes, negligencia o falta de instalación adecuada y mantenimiento o almacenamiento inadecuados.
- h) Esta garantía no cubre el deterioro normal del acabado exterior, incluidos, entre otros, rayones, abolladuras, trozos de pintura o cualquier corrosión o decoloración producida por el calor o limpiadores químicos y abrasivos.

CÓMO OBTENER EL SERVICIO

Para obtener el servicio de garantía, póngase en contacto con Servicio al Cliente de EGO de manera gratuita al **1-855-EGO-5656**. Cuando pida un servicio cubierto por la garantía, debe presentar el recibo con la fecha original de venta. Un centro de servicio autorizado será seleccionado para reparar el producto de acuerdo con los términos establecidos en la garantía. Cuando lleve el producto al centro de servicio autorizado, es posible que deba hacer un pequeño depósito cuando deje la herramienta. Este depósito se reembolsará cuando se considere que el servicio de reparación se haya cubierto con la garantía.

LIMITACIONES ADICIONALES

En la medida en que lo permita la ley aplicable, se rechazan todas las garantías implícitas, incluidas las garantías de COMERCIALIZADIDAD o IDONEIDAD PARA UN FIN EN PARTICULAR. Cualquier garantía implícita, incluidas las garantías de comerciabilidad o idoneidad para cualquier fin en particular, que no pueda ser rechazada según la ley estatal, está limitada a cinco años desde la fecha de compra para el equipo electromecánico para exteriores y tres años desde la fecha de compra para el cargador y el paquete de baterías.

Chervon North America no será responsable de los daños directos, indirectos, accidentales o resultantes.

Algunos estados no permiten las limitaciones sobre cuánto dura una garantía implícita o no permiten la exclusión de daños accidentales o resultantes ni las limitaciones, de modo que las limitaciones anteriores pueden no aplicarse a usted.

Esta garantía le otorga derechos legales específicos, pero podría tener también otros derechos que varían según el estado.

Si desea servicio al cliente, póngase en contacto con nosotros al número gratuito: **1-855-EGO-5656** o escríbanos a **EGOPOWERPLUS.COM** EGO Customer Service, 120 Ionia Street SW / Suite 102 Grand Rapids, MI 49503