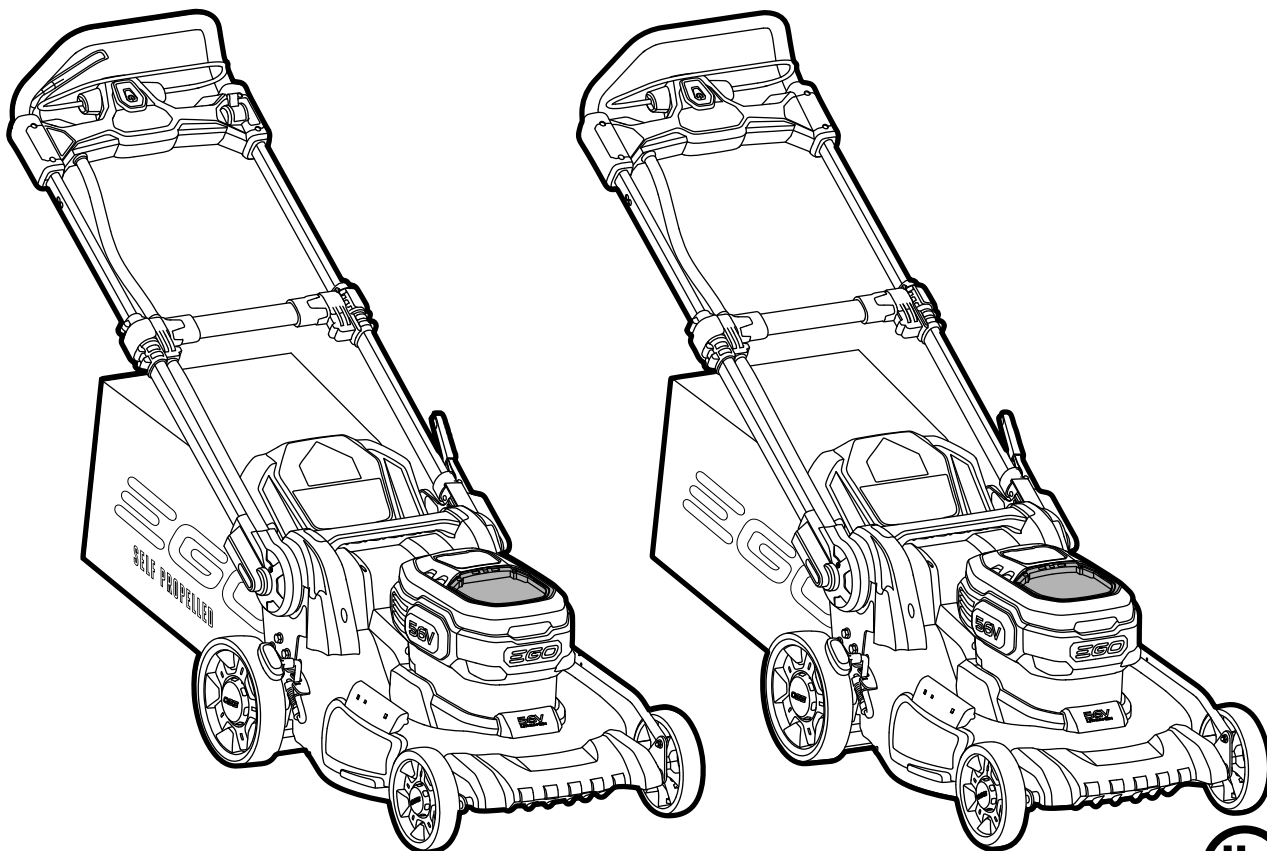


EGO™

POWER⁺ MOWER



OPERATOR'S MANUAL

56-VOLT LITHIUM-ION CORDLESS MOWER

MODEL NUMBER LM2020SP/LM2020

Français p. 38

Español p. 75



WARNING: To reduce the risk of injury, the user must read and understand the Operator's Manual before using this product. Save these instructions for future reference.

TABLE OF CONTENTS

| | |
|--|-------|
| Safety Symbols | 3 |
| Safety Instructions | 4-5 |
| Safety Rules for Cordless Lawn Mower | 6-9 |
| Specifications | 10-11 |
| Description | 12-14 |
| Assembly | 14-18 |
| Operation | 18-25 |
| Maintenance | 26-34 |
| Troubleshooting | 35-36 |
| Warranty | 37 |

READ ALL INSTRUCTIONS!

⚠ WARNING: Some dust created by power cutting contains chemicals known to the state of California to cause cancer, birth defects or other reproductive harm. Some examples of these chemicals are:

- Lead from lead-based paints
- Crystalline silica from bricks and cement and other masonry products, and
- Arsenic and chromium from chemically-treated lumber.

Your risk from these exposures varies, depending on how often you do this type of work. To reduce your exposure to these chemicals: work in a well ventilated area, and work with approved safety equipment, such as those dust masks that are specially designed to filter out microscopic particles.

SAFETY SYMBOLS

The purpose of safety symbols is to attract your attention to possible dangers. The safety symbols and the explanations with them deserve your careful attention and understanding. The symbol warnings do not, by themselves, eliminate any danger. The instructions and warnings they give are no substitutes for proper accident prevention measures.

⚠ WARNING: Be sure to read and understand all safety instructions in this Operator's Manual, including all safety alert symbols such as "DANGER," "WARNING," and "CAUTION" before using this tool. Failure to follow all instructions listed below may result in electric shock, fire, and/or serious personal injury.

SYMBOL MEANING

⚠ SAFETY ALERT SYMBOL: Indicates DANGER, WARNING, or CAUTION. May be used in conjunction with other symbols or pictographs.



⚠ WARNING: The operation of any power tools can result in foreign objects being thrown into your eyes, which can result in severe eye damage. Before beginning power tool operation, always wear safety goggles or safety glasses with side shields and a full face shield when needed. We recommend a Wide Vision Safety Mask for use over eyeglasses or standard safety glasses with side shields. Always use eye protection which is marked to comply with ANSI Z87.1.

SAFETY INSTRUCTIONS

This page depicts and describes safety symbols that may appear on this product. Read, understand, and follow all instructions on the machine before attempting to assemble and operate.

| | | |
|--|--|--|
| | <p>Safety Alert</p> | <p>Indicates a potential personal injury hazard.</p> |
| | <p>Eye Protection</p> | <p>Always wear safety goggles or safety glasses with side shields and a full face shield when operating this product.</p> |
| | <p>Read Operator's Manual</p> | <p>To reduce the risk of injury, user must read and understand operator's manual before using this product.</p> |
| | <p>Maintain Safety Devices</p> | <p>Do not open or remove safety shields while the tool is running.</p> |
| | <p>Look Behind While Backing</p> | <p>Look down and behind first to avoid tripping when pulling back.</p> |
| | <p>DANGER — Keep Hands and Feet Away</p> | <p>To reduce the risk of injury, keep hands and feet away from rotating parts. Do not operate unless discharge cover or grass bag is in its proper place. If damaged, replace immediately.</p> |
| | <p>DANGER — Keep Bystanders Away</p> | <p>Do not mow when children or others are nearby.</p> |
| | <p>DANGER — Thrown Debris</p> | <p>Remove objects that can be thrown by the blade in any direction. Wear safety glasses.</p> |
| | <p>DANGER — Steep Slope Hazard</p> | <p>Use extra caution on slopes. Do not mow slopes greater than 15 degrees.</p> |

| | | |
|----------|---------------------------|---|
| | Recycle Symbols | This product uses lithium-ion (Li-ion) batteries. Local, state, or federal laws may prohibit disposal of batteries in ordinary trash. Consult your local waste authority for information regarding available recycling and/or disposal options. |
| IPX4 | Ingress Protection Degree | Protection from splashing water |
| V | Volt | Voltage |
| A | Amperes | Current |
| Hz | Hertz | Frequency (cycles per second) |
| W | Watt | Power |
| min | Minutes | Time |
| ~ | Alternating Current | Type of current |
| ≡ | Direct Current | Type or a characteristic of current |
| n_0 | No Load Speed | Rotational speed, at no load |
| ... /min | Per Minute | Revolutions per minute |

⚠ WARNING: To ensure safety and reliability, all repairs should be performed by a qualified service technician.

SAFETY RULES FOR CORDLESS LAWN MOWER

⚠ DANGER: This machine was built to be operated according to the rules for safe operation included in this manual. As with any type of power equipment, carelessness or error on the part of the operator can result in serious injury. This machine is capable of amputating hands and feet and throwing objects. Failure to observe all safety instructions could result in serious injury or death.

⚠ WARNING: When using electric lawn mowers, basic safety precautions should always be followed to reduce the risk of fire, electric shock, and personal injury. These basic precautions include the following:

CHILDREN

Tragic accidents can occur if the operator is not alert to the presence of children. Children are often attracted to the mower and mowing activity. They do not understand the dangers. Never assume that children will remain where you last saw them.

- Keep children out of the mowing area and under the watchful care of a responsible adult other than the operator.
- Be alert and turn the mower off if a child enters the area.
- Use extreme care when approaching blind corners, doorways, shrubs, trees, or other objects that may obscure your vision of a child who may run into the mower.
- Never allow children under 14 years old to operate a power mower. Children 14 years old and over should read and understand the operation instructions and safety rules in this manual and should be trained and supervised by a parent. Only responsible individuals who are familiar with these rules of safe operation should be allowed to use this machine.

OPERATION

General Operation:

- Read this operator's manual carefully in its entirety before attempting to assemble this machine. Read, understand, and follow all instructions on the machine and in the manuals before operation. Be completely familiar with the controls and proper use of this machine before operating it. Keep this manual in a safe place for future and regular reference and for ordering replacement parts.
- Use the right appliance – Do not use the lawn mower for any job except that for which it is intended. Your lawn mower has been designed to perform only one job: to mow grass.
- Don't overreach – Keep proper footing and balance at all times.
- Objects struck by the lawn mower blade can cause severe injuries to persons. The lawn should always be carefully examined and cleared of all objects prior to each mowing.
- Keep the area of operation clear of all persons, particularly small children, and pets.
- Before and while moving backwards with the mower, look behind and down for small children and other people.
- Keep clear of the discharge opening at all times.
- This machine is a precise piece of power equipment, not a plaything. Therefore, exercise extreme caution at all times. Your unit has been designed to perform one job: to mow grass. Do not use it for any other purpose.
- Don't force the lawn mower – it will do the job better and more safely at the rate for which it was designed.

- Thoroughly inspect the area where the equipment is to be used. Remove all stones, sticks, wire, toys and other foreign objects that could be tripped over or picked up and thrown by the blade. Thrown objects can cause serious personal injury.
- Plan your mowing pattern to avoid discharge of material toward roads, sidewalks, bystanders and the like. Also, avoid discharging material against walls or obstructions, which may cause discharged material to ricochet back toward the operator.
- To help avoid blade contact or an injury from thrown objects, stay in the operator zone behind the handles and keep children, bystanders, helpers and pets at least 100 feet (30m) from the mower while it is in operation. Stop the machine if anyone enters the area.
- Always wear safety glasses or safety goggles during operation and while performing an adjustment or repair to protect your eyes. Thrown objects that ricochet can cause serious injury to the eyes. Always use a face or dust mask if the operation is dusty.
- Dress properly – Do not wear loose clothing or jewelry. They can be caught in moving parts. Use of rubber gloves and footwear is recommended when working outdoors. Wear sturdy, rough-soled work shoes and close-fitting slacks and shirts. Shirts and pants that cover the arms and legs and steel-toed shoes are recommended. Never operate this machine in bare feet, sandals, slippery or lightweight (e.g., canvas) shoes.
- Do not put hands or feet near rotating parts or under the cutting deck. Contact with the blade can amputate hands and feet.
- A missing or damaged discharge cover can cause blade contact or injuries from thrown objects.
- Many injuries occur as a result of the mower being pulled over the foot during a fall caused by slipping or tripping. Do not hold onto the mower if you are falling; immediately release the handle.
- Never pull the mower back toward you while you are walking. If you must back the mower away from a wall or obstruction, first look down and behind you to avoid tripping, and then follow these steps:
 - Step back from mower to fully extend your arms.
 - Be sure you are well balanced with sure footing.
 - Pull the mower back slowly, no more than half way toward you.
 - Repeat these steps as needed.
- Do not operate the mower while under the influence of alcohol or drugs.
- Stay alert – watch what you are doing. Use common sense. Do not operate the lawn mower when you are tired.
- The motor/blade control handle is a safety device. Never attempt to bypass its operation. Doing so makes the safety device inoperative and may result in personal injury through contact with the rotating blade. The motor/blade control handle must operate easily in both directions and automatically return to the disengaged position when released.
- Avoid dangerous environments – Don't use lawn mowers in damp or wet locations so as to avoid slipping and falling during operation.
- Always be sure of your footing. A slip and fall can cause serious personal injury. If you feel you are losing your footing, release the motor/blade control handle immediately and the blade will stop rotating within three seconds.
- Mow only in daylight or good artificial light. Walk, never run while operating.
- Stop the blade when crossing gravel drives, walks or roads.
- If the equipment should start to vibrate abnormally, immediately stop the motor, remove the battery and check for the cause. Vibration is generally a warning of trouble.

- Before cleaning the machine, unclogging the chute or removing or replacing the grass bag, mulching insert, or side discharge chute, turn the motor off and wait until the blade comes to a complete stop, then remove the battery pack. The cutting blade continues to rotate for a few seconds after the motor is shut off. Never place any part of the body in the blade area until you are sure the blade has stopped rotating.
- Never operate the mower without the proper trailing shield, discharge cover, grass bag, mulching insert, side discharge chute, motor/blade control handle or other safety protective devices in place and working. Never operate the mower with damaged safety devices. Failure to do so can result in personal injury.
- If situations occur that are not covered in this manual, use care and good judgment. Contact EGO Customer Service for assistance.
- Use only with the battery packs and chargers listed below:

| BATTERY PACK | CHARGER |
|------------------------|---------|
| BA1120, BA1400, BA2240 | CH2100 |
| BA2800, BA4200 | CH5500 |

OPERATION ON A SLOPE:

Slopes are a major factor related to slip-and-fall accidents, which can result in severe injury. Operation on slopes requires extra caution. If you feel uneasy on a slope, do not mow it. For your safety, use the slope gauge on page 22 to measure slopes before operating this unit on a sloped or hilly area. If the slope is greater than 15 degrees, do not mow it.

Do:

- Mow across the face of slopes; never mow up and down. Exercise extreme caution when changing direction on slopes.
- Watch for holes, ruts, rocks, hidden objects, or bumps which can cause you to slip or trip. Tall grass can hide obstacles.

Do not:

- Do not mow near drop-offs, ditches or embankments; you could lose your footing or balance.
- Do not mow slopes greater than 15 degrees, as shown on the slope gauge.
- Do not mow on wet grass. Unstable footing could cause slipping.

SERVICE

⚠ WARNING: Grass bag components, the discharge cover, side discharge chute, mulching insert and trailing shield are subject to wear and damage, which could expose moving parts or allow objects to be thrown and could increase the risk of injury. For safety protection, frequently check all components and replace damaged components immediately with identical replacement parts, listed in this manual.

- If the mower's built-in overload protection switch frequently trips, contact EGO Customer Service or your closest EGO service center.
- Do not wash the mower with a hose; avoid getting water in the motor and electrical connections.
- Remove the battery and store the idle lawn mower in a covered area when not in use. Allow the motor to cool before storing it in any enclosure. The lawn mower should be stored in a dry, high, or locked-up enclosure, out of reach of children.
- When servicing, use only identical replacement parts listed in this manual. Use of parts that do not meet the original equipment specifications may lead to improper performance and compromised safety.
- Remove or disconnect the battery pack before servicing, cleaning, or removing material from the lawn mower.
- Follow instructions for lubricating and changing accessories.
- Keep handles dry, clean and free from oil and grease.
- To reduce a fire hazard, keep the motor cover free of grass, leaves and debris build-up.
- Check the blade and motor mounting bolts at frequent intervals for proper tightness. Also, visually inspect the blade for damage (e.g., bending, cracking and wear.). Replace the blade only with the identical replacement blade, as listed in this manual.
- Maintain your mower with care – keep the mower blade sharp and clean for the best and safest performance. Mower blades are sharp and can cut. Wrap the blade or wear gloves and use extra caution when servicing it.
- Keep all nuts, bolts, and screws tight to be sure the equipment is in safe working condition.
- Never remove or tamper with safety devices. Regularly check their proper operation. Never do anything to interfere with the intended function of a safety device or to reduce the protection provided by a safety device.
- Always stop the motor before making adjustments to a wheel or a cutting-height adjustment.
- After striking a foreign object, stop the motor, remove the battery pack, allow the blade to stop rotating, and thoroughly inspect the mower for any damage. Repair the damage before operating the mower.
- Maintain or replace safety and instruction labels, as necessary.
- **SAVE THESE INSTRUCTIONS.** Refer to them frequently and use them to instruct others who may use this tool. If you lend this tool to someone else, also lend these instructions to them to prevent misuse of the product and possibly injury.



INTRODUCTION

Congratulations on your selection of a new generation of 56V Lithium-ion powered lawn mower. It has been designed, engineered and manufactured to give you the best possible dependability and performance.

Should you experience any problem you cannot easily remedy, please contact EGO customer service center 1-855-EGO-5656.

This manual contains important information on the safe assembly, operation and maintenance of your mower. Read it carefully before using the mower. Keep this manual handy so you can refer to it at any time.

SERIAL NUMBER _____ DATE OF PURCHASE _____

THE MODEL AND SERIAL NUMBERS WILL BE FOUND ON A LABEL ATTACHED ON THE REAR DISCHARGE DOOR.

YOU SHOULD RECORD BOTH SERIAL NUMBER AND DATE OF PURCHASE AND KEEP THEM IN A SAFE PLACE FOR FUTURE REFERENCE. SAVE YOUR SALES RECEIPT.

SPECIFICATIONS

| Model Number | LM2020 | LM2020SP |
|---|----------------------|----------------------|
| Self Propel System | No | Yes |
| Voltage | 56 V | 56 V |
| No-Load Speed | 3000 rpm | 3000 rpm |
| Approximate Cutting Height Settings | | |
| | 1 1-3/16" (30 mm) | 1-3/16" (30 mm) |
| | 2 1-9/16" (40 mm) | 1-9/16" (40 mm) |
| | 3 2-1/8" (55 mm) | 2-1/8" (55 mm) |
| | 4 2-3/4" (70 mm) | 2-3/4" (70 mm) |
| | 5 3-3/8" (85 mm) | 3-3/8" (85 mm) |
| | 6 4" (100 mm) | 4" (100 mm) |
| Deck Size | 20" | 20" |
| Grass Bag Volume | 1.7 Bushel (60 L) | 1.7 Bushel (60 L) |
| Mower Weight (Without battery pack; with mulching insert) | 55.18 lb. (25.08 Kg) | 60.68 lb. (27.58 Kg) |

APPROXIMATE RUNNING TIME

| Model | Battery | |
|----------|-------------------------------|-------------------------------|
| | With BA2800 56V Battery 5.0Ah | With BA4200 56V Battery 7.5Ah |
| LM2020 | 55 min | 85 min |
| LM2020SP | 45 min | 70 min |

NOTICE: The actual running time will vary with grass condition: species, density, moisture, etc.

ACCESSORIES

⚠ WARNING: The following part is subjected to be worn out from normal use. Use only identical replacement parts listed below. Use of parts that do not meet the original equipment specifications may lead to improper performance and compromised safety.

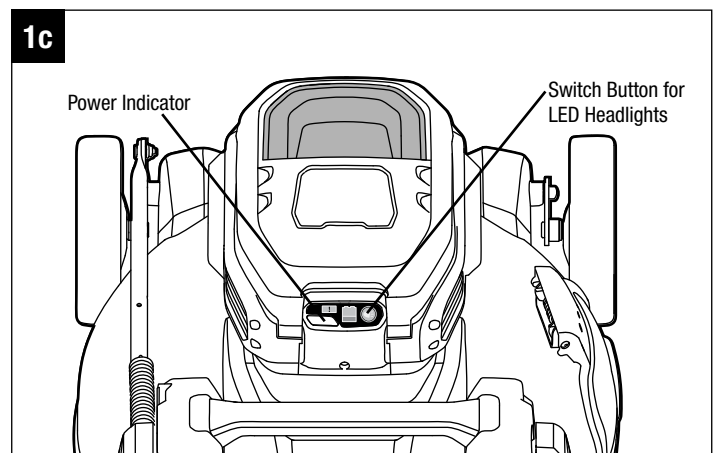
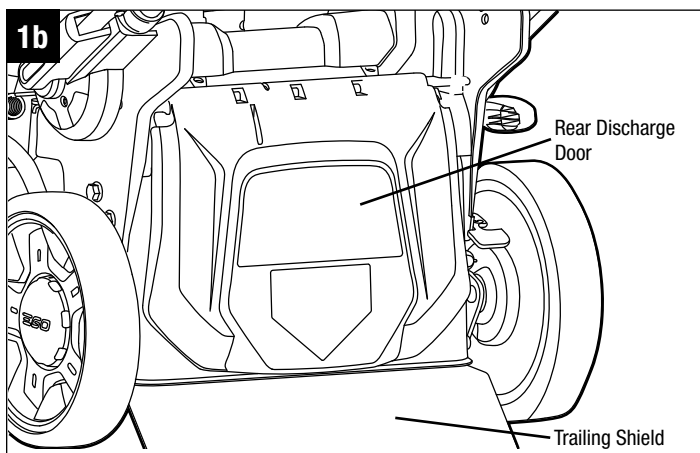
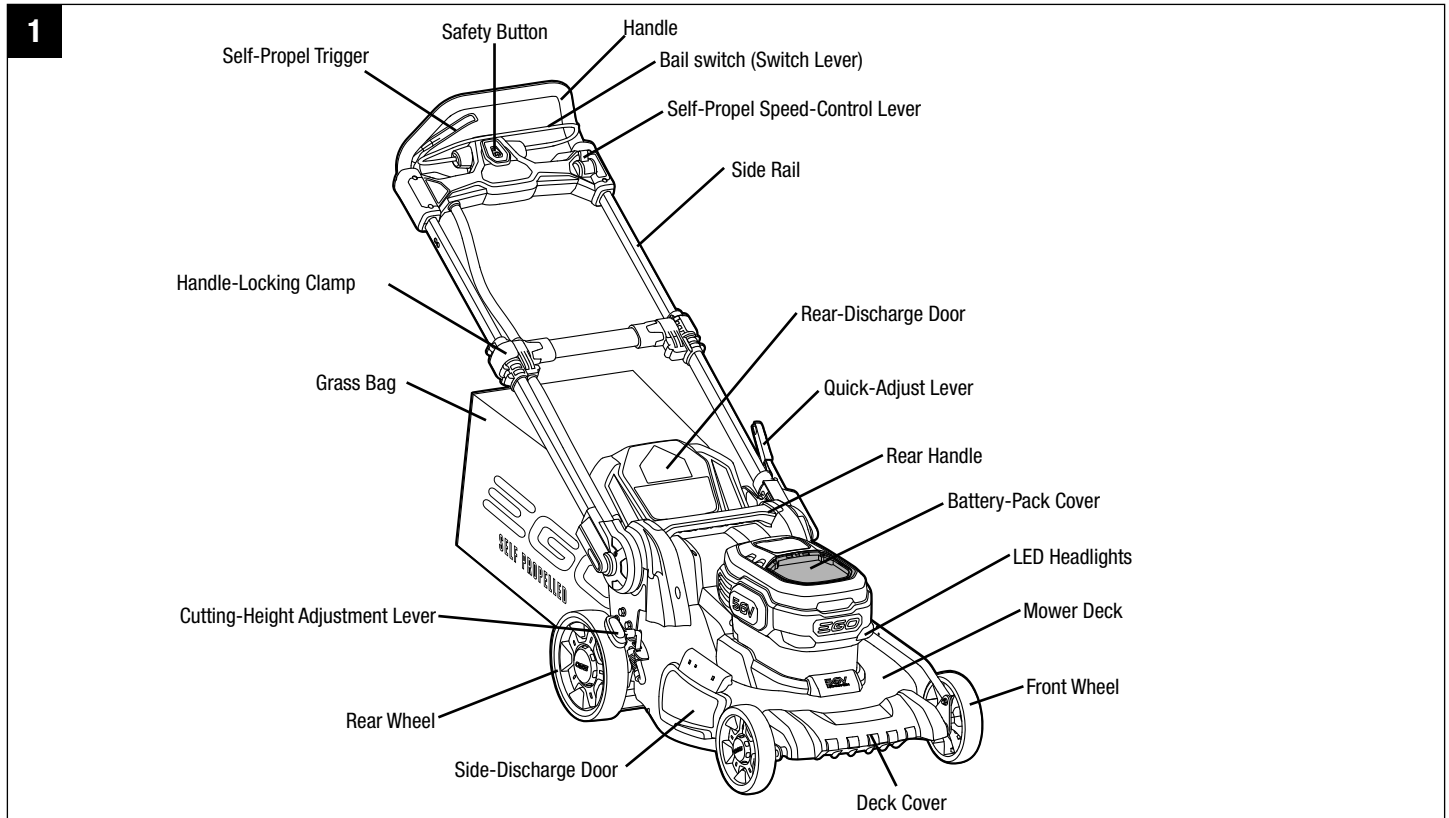
| PART NAME | MODEL NUMBER |
|-----------|--------------|
| Blade | AB2000 |

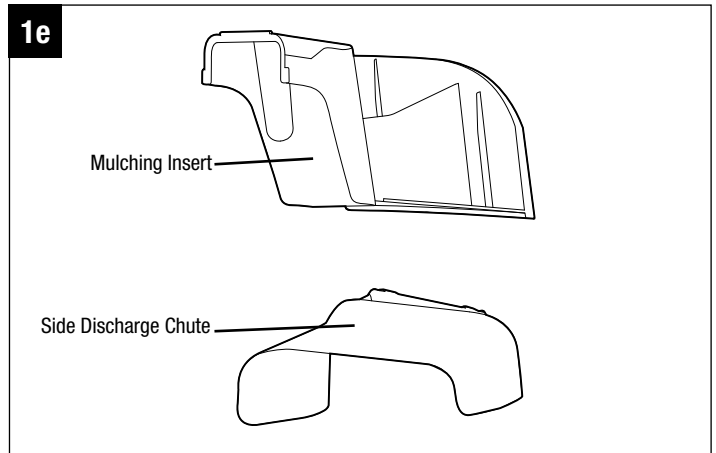
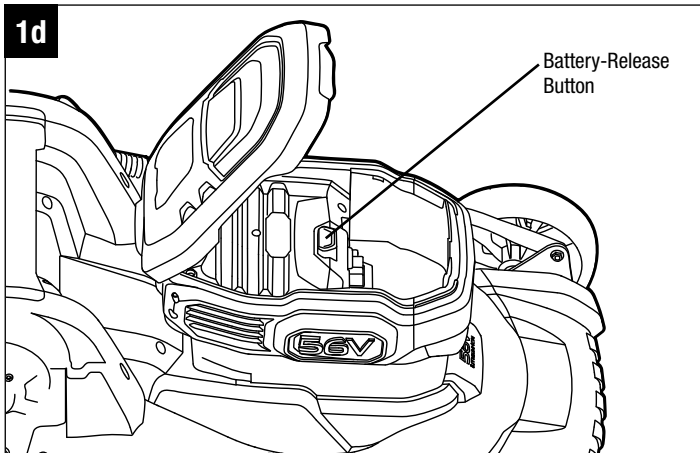
PACKING LIST

| PART NAME | QUANTITY |
|--|----------|
| Lawn mower | 1 |
| Grass bag | 1 |
| Grass bag frame | 1 |
| Mulching insert (pre-installed in mower) | 1 |
| Side discharge chute | 1 |
| Operator's manual | 1 |

DESCRIPTION

The safe use of this product requires an understanding of the information on the tool and in this operator's manual, as well as knowledge of the project you are attempting. Before use of this product, familiarize yourself with all operating features and safety rules.





SAFETY BUTTON

The safety button must be pressed down before the motor can be started.

BAIL SWITCH

The bail switch is located on the upper handle of the mower. The switch engages and disengages the motor/ blade.

SELF-PROPEL TRIGGER (model LM2020SP only)

Turns the self-propel function ON and OFF.

SELF-PROPEL SPEED CONTROL LEVER (model LM2020SP only)

Increases or decreases the self-propel speed by moving the control lever.

⚠ WARNING: The bail switch and the safety button are safety devices. Never attempt to bypass their operations.

ELECTRIC BRAKE

Quickly stops blade rotation when the bail switch is released.

HANDLE-LOCKING CLAMP

Locks/unlocks the side rails in the extended or the recessed position.

SIDE RAILS

Can be extended and locked for operation or recessed for storage.

QUICK-ADJUST LEVER

Locks/unlocks the handle position when adjusting the angle of the mower handle:

1. Locked Storage Position
2. Grass Bag Attachment/Removal Position
3. Upper Operating Position
4. Middle Operating Position
5. Lower Operating Position

TRAILING SHIELD & REAR DISCHARGE DOOR

The trailing shield is designed to minimize stones or other objects being thrown backward by the mower blade. The shield and the rear discharge door minimize the possibility of accidental foot contact with the blade. DO NOT operate the mower without the trailing shield and rear discharge door in place.

LED HEADLIGHTS

The LED headlights are located in the front of the mower. This feature provides extra light for increased visibility.

SPRING-LOADED CUTTING-HEIGHT ADJUSTMENT LEVER

One-handed cutting-height adjustment.

ASSEMBLY

⚠ WARNING: To prevent accidental starting that could cause serious personal injury, always remove the battery pack from the tool when assembling parts.

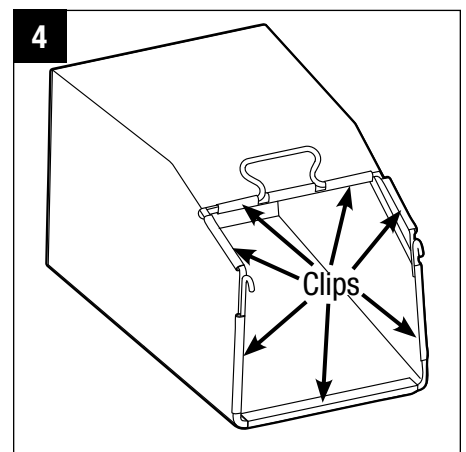
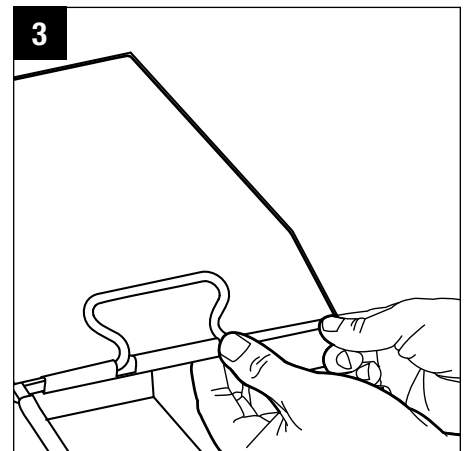
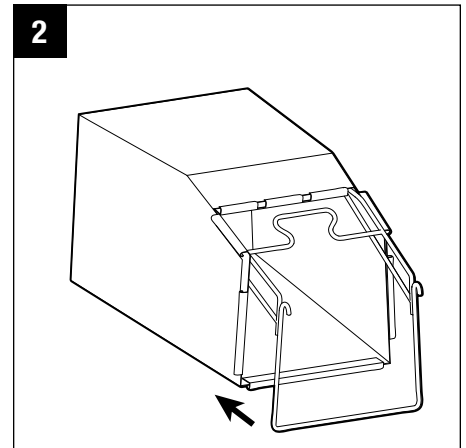
⚠ WARNING: Do not attempt to modify this tool or create accessories not recommended for use with this mower. Any such alteration or modification is misuse and could result in a hazardous condition leading to serious injury.

UNPACKING

- First remove all the accessories from the carton, then grasp both the front part of the deck cover and the rear handle at the same time to carefully lift the mower up and out of the carton. Make sure that all items listed in the parts list are included.
- Inspect the product carefully to make sure that no breakage or damage occurred during shipping.
- Do not discard the packing material until you have carefully inspected and satisfactorily operated the mower.
- If any parts are damaged or missing, please return the mower to the place of purchase.

■ ASSEMBLING THE GRASS BAG

1. Check the grass bag before assembling, to make sure that there is no damage.
2. Slide the grass bag onto the frame, as shown in Fig. 2.
3. Assemble the top clips to the frame, as shown in Fig. 3, then assemble the two side clips. Assemble the bottom clip last.
4. The completely assembled grass bag is shown in Fig. 4.



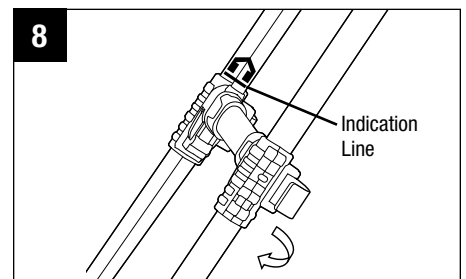
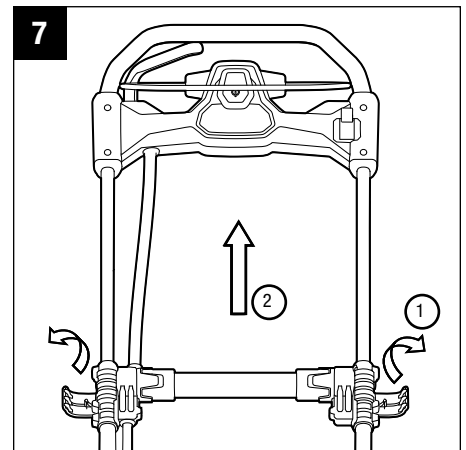
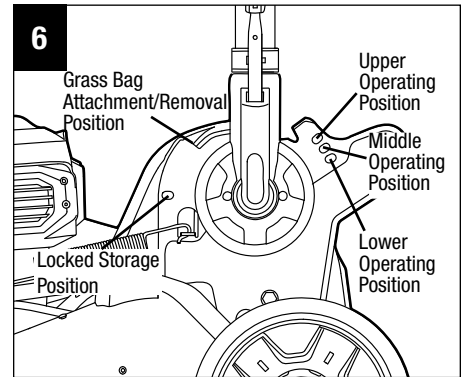
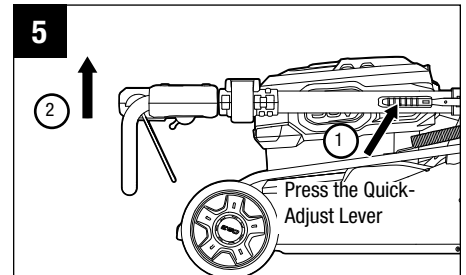
ADJUSTING THE FOLDABLE HANDLE

⚠ WARNING: Do not attempt to start the mower until the handle has been locked at one of the three preset operating positions.

1. **LOCKED STORAGE POSITION:** Your mower is shipped with the handle in the compact, locked position (Fig. 5).
2. **GRASS BAG ATTACHMENT/REMOVAL POSITION:** Press and hold the quick-adjust lever with one hand to release the handle from the locked storage position. Begin to lift the handle from its folded position with your other hand, and then release the lever (Fig. 5). Gently pivot the handle upward until you hear and feel the lock pin engage in the first position (Fig. 6). This position allows easy access to install and remove the grass bag.
3. **UPPER OPERATING POSITION:** Lift the handle with one hand. Gently pivot the handle backward until you hear and feel the lock pin engage in the Upper Operating Position. Fully extend the side rails and securely close the two handle-locking clamps (Fig. 7 & 8). Taller users may prefer this position.
4. **MIDDLE OPERATING POSITION:** Press and hold the quick-adjust lever with one hand to release the handle from the upper operating position. Begin to lower the handle with your other hand, and then release the lever. Gently pivot the handle downward until you hear and feel the lock pin engage in the Middle Operating Position. Fully extend the side rails and securely close the two handle-locking clamps (Fig. 7 & 8).
5. **LOWER OPERATING POSITION:** Press and hold the quick-adjust lever with one hand to release the handle from the middle operating position. Begin to lower the handle with your other hand, and then release the lever. Gently pivot the handle downward until you hear and feel the lock pin engage in the Lower Operating Position. Fully extend the side rails and securely close the two handle-locking clamps (Fig. 7 & 8).

NOTE: The motor cannot be started unless:

- a) The side rails are fully extended.
- b) Both green handle-locking clamps are securely closed.
- c) The handle is locked into one of the three operating positions.

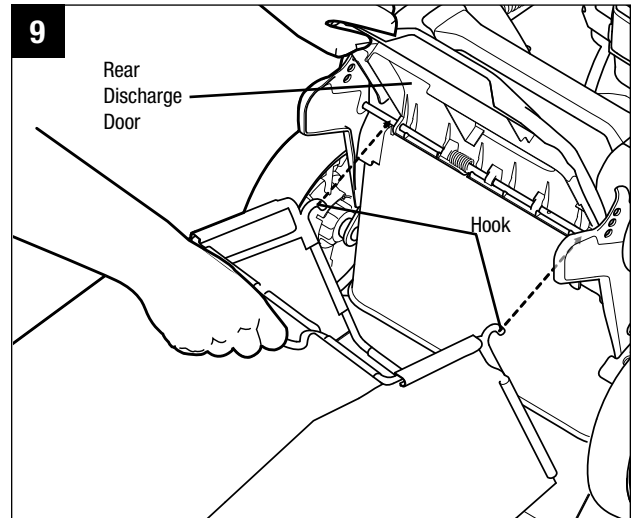


ATTACHING/REMOVING THE GRASS BAG

⚠ WARNING: Do not at any time make any adjustment to the lawn mower without first stopping the motor, removing the battery pack and waiting for the blade to stop rotating.

NOTICE: Remove the mulching insert before attaching the grass bag to the mower.

1. Remove the battery.
2. Adjust the handle to the Grass Bag Attachment/Removal Position (please see ADJUSTING THE FOLDABLE HANDLE).
3. Lift the rear-discharge door.
4. Hook the grass bag assembly on the pivot rod (Fig. 9). Release the discharge door so that it rests on the grass bag.
5. To remove the grass bag, lift the rear-discharge door on the mower. Lift the grass bag up, off of the pivot rod.
6. Release the discharge door.



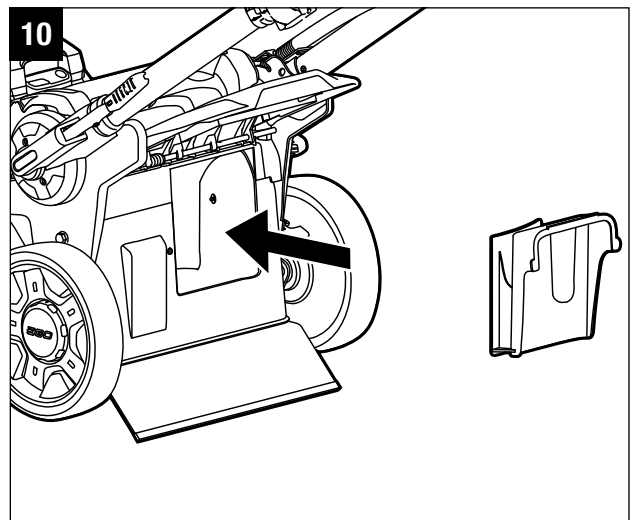
⚠ WARNING: When using the grass bag, never operate the mower unless the hooks on the grass bag are firmly seated on the pivot rod and the rear-discharge door rests firmly against the top of the grass bag.

⚠ WARNING: Under normal usage, bag material is subject to wear. To reduce the risk of injury, frequently inspect the bag assembly and replace if there are any signs of wear or deterioration. Use only grass bags manufactured for this mower.

ATTACHING/REMOVING THE MULCHING INSERT

⚠ WARNING: Do not at any time make any adjustment to the lawn mower without first stopping the motor, removing the battery pack and waiting for the blade to stop rotating.

1. Remove the battery.
2. Lift the rear-discharge door.
3. Grasp the handle of the mulching insert and fully insert it into the mower, so that it is securely seated (Fig. 10).
4. To remove the mulching insert, lift the rear-discharge door, grasp the handle of the mulching insert, and pull it out.
5. Release the discharge door and make sure it rests firmly against the mulching insert.



NOTICE: The mulching insert must be removed in order to install and use the grass bag and must be re-installed when the grass bag is removed.

ATTACHING/REMOVING THE SIDE DISCHARGE CHUTE

(Fig. 11)

⚠ WARNING: Do not at any time make any adjustment to the lawn mower without first stopping the motor, removing the battery pack and waiting for the blade to stop rotating.

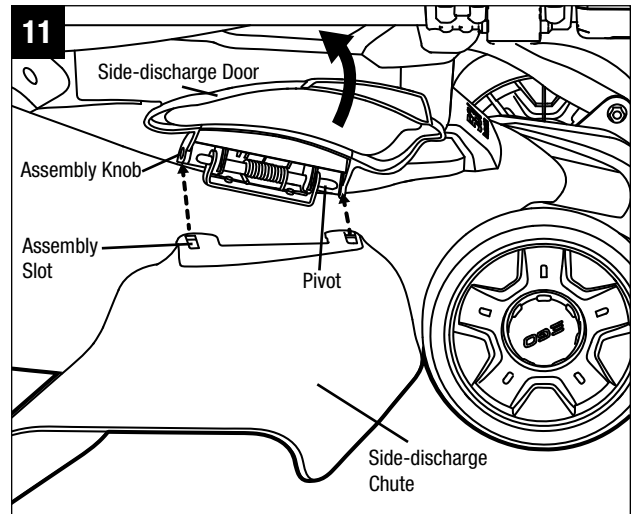
To Attach:

1. Remove the battery.
2. Lift the side-discharge door.
3. Align the slot in the side-discharge chute with the knob on the side-discharge door.
4. Gently release the side-discharge door and allow it to rotate around the pivot until it rests firmly on the side-discharge chute.

NOTICE: The mulching insert must be installed when the side discharge chute is attached.

To Remove:

1. Grasp the side-discharge chute with one hand and use your other hand to lift the side-discharge door.
2. Remove the chute and close the side-discharge door until it rests securely against the mower deck.



OPERATION

⚠ WARNING: Do not allow familiarity with this product to make you careless. Remember that a careless fraction of a second is sufficient to inflict serious injury.

⚠ WARNING: Always wear eye protection marked to comply with ANSI Z87.1. Failure to do so could result in objects being thrown into your eyes and other possible serious injuries.

⚠ WARNING: Do not use any attachments or accessories not recommended by the manufacturer of this product. The use of attachments or accessories not recommended can result in serious personal injury.

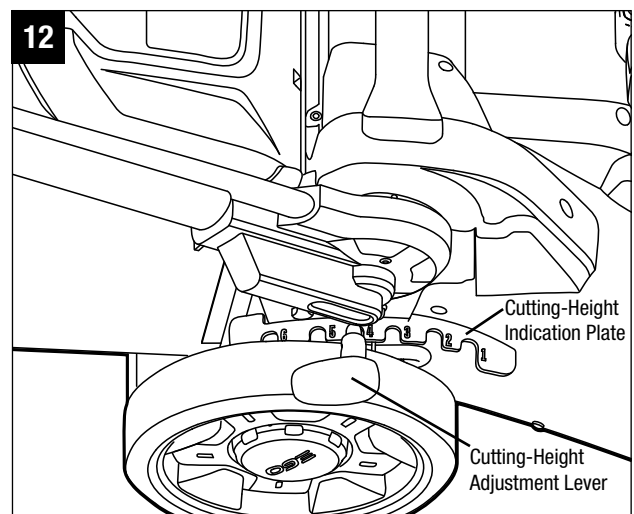
ADJUSTING THE CUTTING-HEIGHT (Fig. 12)

⚠ WARNING: Do not at any time make any adjustment to the lawn mower without first stopping the motor, removing the battery pack and waiting for the blade to stop rotating.

⚠ WARNING: Keep your feet away from the deck when adjusting its height.

The mower can be set to 6 cutting heights between 1-3/16" (30mm) and 4" (100mm). Choose the proper cutting height according to the type and condition of the grass.

1. Use one hand to hold the right handle tube for stability, and use the other hand to move the cutting-height adjustment lever outwards from the slots in the cutting-height indication plate.



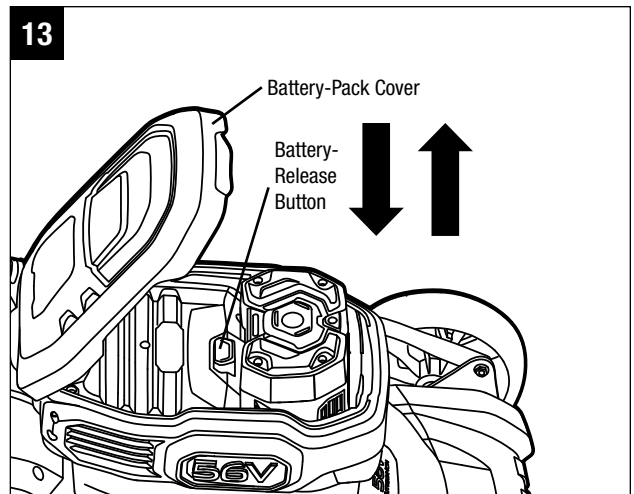
2. Move the cutting-height adjustment lever toward the back of the mower for a higher cutting height; move it toward the front of the mower for a lower cutting height.
3. Once arriving at the desired cutting-height position, engage the cutting-height adjustment lever back into the slot.

TO ATTACH/DETACH THE BATTERY PACK (Fig. 13)

CHARGE BEFORE FIRST USE.

⚠ WARNING: If any parts are broken or missing, do not attempt to attach the battery pack to the mower or operate the mower until the broken or missing parts are replaced. Failure to do so could result in serious injury.

1. The battery cover is hinged. Raise the battery cover by lifting the front of the cover.
2. Align the grooves in the battery pack, with the raised ribs in the battery compartment, and then insert the battery pack into the compartment.
3. Push the battery pack until you hear a “click”. The battery-release button will spring up when the battery pack is securely attached.
4. To detach the battery pack, depress the battery-release button to release the battery pack, and then lift it out of the compartment.
5. Close the battery cover.



NOTICE: Make sure that the latch on the mower snaps into place and that the battery pack is secured to the mower before starting operation.

STARTING/STOPPING THE MOWER (Fig. 14, 15 & 16)

⚠ WARNING: The operation of any lawn mower can result in foreign objects being thrown into your or others' eyes, which can damage eyes severely. Always wear safety glasses while operating the mower or while performing any adjustments or repairs on the mower.

⚠ WARNING: Ensure that other people and pets remain at least 100' (30m) away from the mower when it is in use.

⚠ WARNING: The blade will continue to rotate for a few seconds after the mower is turned off. Allow the motor/blade to stop rotating before starting it again. Do not rapidly turn the mower off and on.

⚠ CAUTION: Do not attempt to override the operation of the safety button and bail switch.

NOTICE: The motor cannot be started unless:

- The side rails are fully extended.
- Both green handle-locking clamps are securely closed.
- The handle is locked into one of the three operating positions.

To start the mower

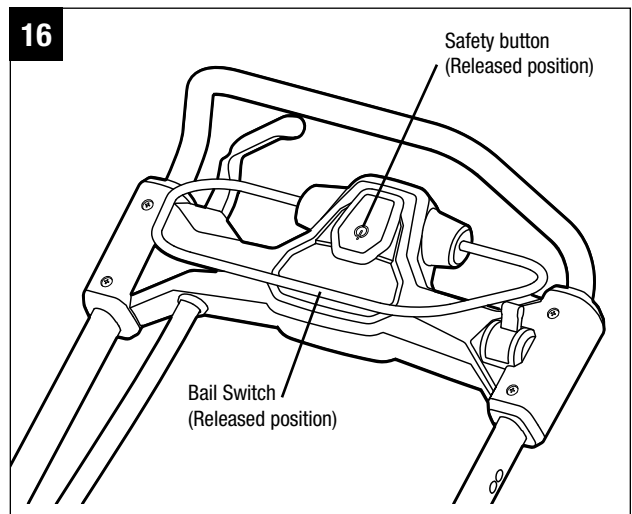
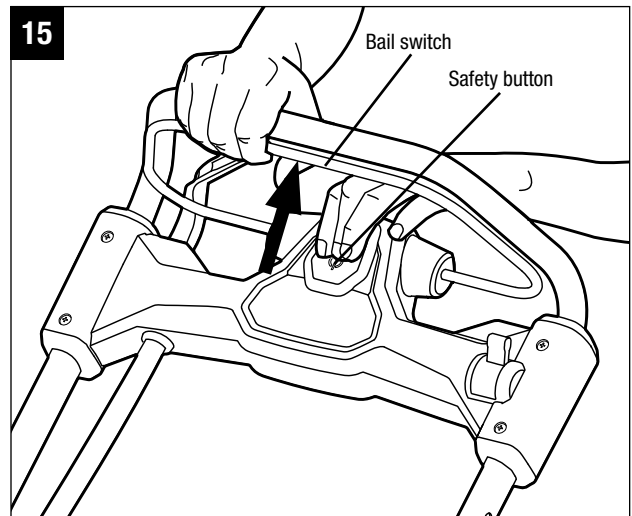
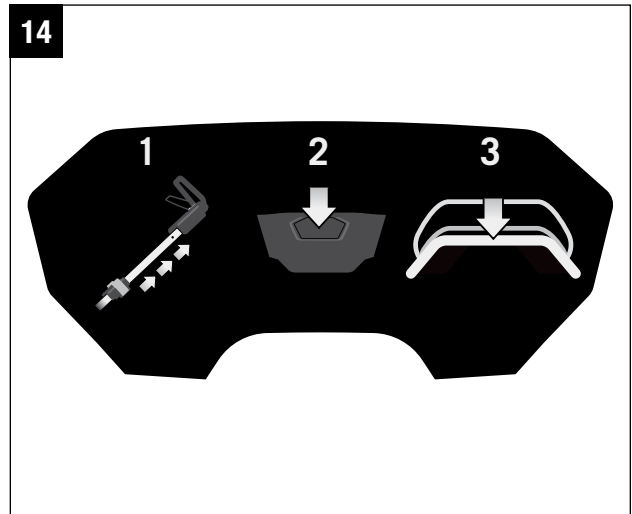
1. Attach the battery pack to the mower and close the battery cover.

NOTICE: Make sure that the latch on the mower snaps into place and that the battery pack is secured to the mower before operation.

2. Depress the safety button (Fig. 14 & 15).
3. With the safety button depressed, pull the bail switch upward to meet the handle and release the safety button.
4. The mower will start.

To stop the mower

1. Fully release the bail switch (Fig. 16).
2. The electric brake in the Automatic Braking Mechanism will stop the blade rotation within 3 seconds of the bail switch release.



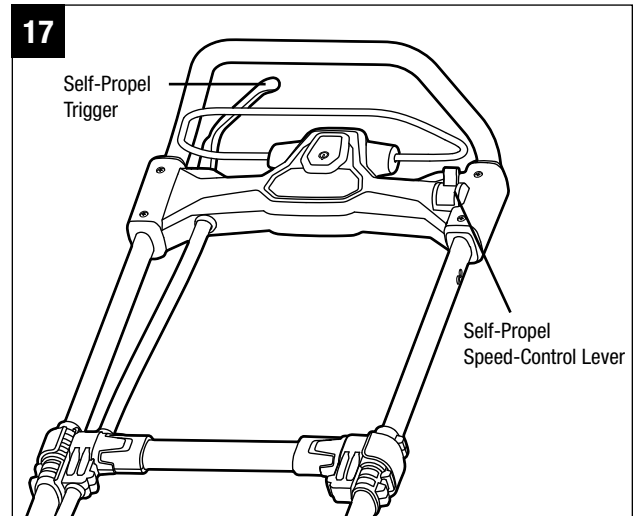
VARIABLE-SPEED SELF-PROPEL SYSTEM (only for LM2020SP)

The LM2020SP mower is equipped with variable-speed self-propel capability. This system is independent of the blade On-Off switch; it is not dependent on blade rotation. For example, when you have completed cutting your lawn, you can use the self-propel to propel the mower back to your storage location without blade rotation. Or you may choose to operate the mower as a non-self-propelled mower to maximize battery running time.

To operate the self-propel system without blade rotation, pull the self-propel trigger to the handle.

To turn the self-propel off, release the self-propel trigger (Fig. 17).

The system has variable speed. To increase the speed, move the self-propel-speed-control lever forwards. To decrease the speed, move the self-propel-speed-control lever backwards.



To operate with the blade rotating for cutting:

1. Depress the safety button.
2. With the safety button depressed, pull the bail switch upward to the handle and release the safety button.
3. Hold the bail switch against the handle with your left hand. Pull the self-propel trigger to the handle with your right hand.
4. With your right hand, hold both the bail switch and the self-propel trigger against the handle and use your left hand to adjust the self-propel-speed-control lever to choose the desired speed.

NOTICE: When you turn off the self-propel, for example, at the end of a row, it may become temporarily locked if you pull backwards on the mower. Simply push ahead slightly and then move the mower as required.

NOTICE: During cutting, at times it may be easier to mow around an object, with the self-propel turned off.

⚠ WARNING: To reduce the risk of injury, never attempt to override the operation of the switch or self-propel system. Use the self-propel for its intended purpose only.

LED HEADLIGHTS (Fig. 18)

The LED headlights are located on the front of the battery compartment.

To turn on the lights, press the switch button (Fig. 19). The headlights provide bright light in front of the mower.

To turn off the headlights, press the switch button again.

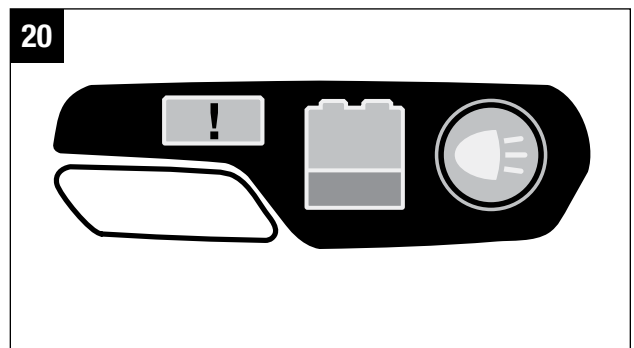
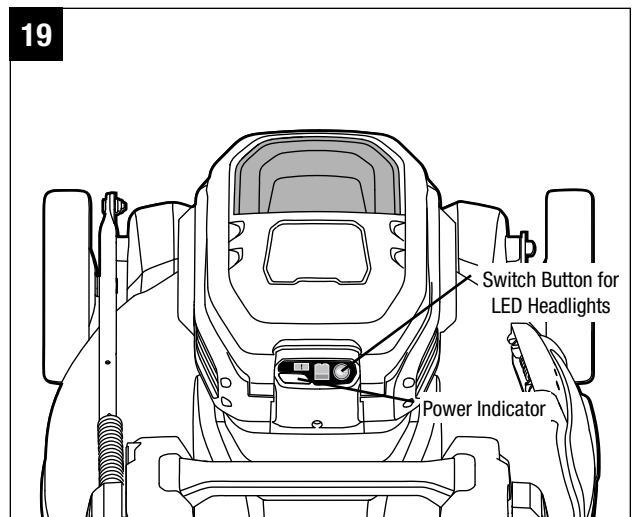
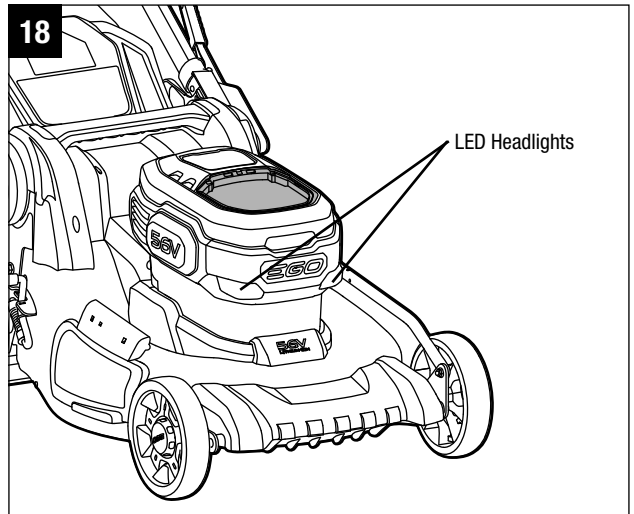
POWER INDICATOR ON THE MOWER (Fig. 19 & 20)

The mower is equipped with a power indicator to indicate the charge level of the battery pack and the working status of the mower. The power indicator will illuminate when the blade is rotating or when the LED headlights are turned on.

- The green light indicates that the battery pack is over 15% of its charge capacity.
- The red light indicates the battery pack's charge is low.
- The blinking red light indicates that the battery pack is nearly depleted and needs to be charged immediately.

| Power Indicator | Meaning | Action |
|-----------------|--|---|
| Shining green | Mower is working properly; battery has at least 15% of its charge. | n/a. |
| Shining red | Low battery. | Stop the mower and charge the battery pack. |
| Flashing red | The battery is nearly depleted. | Stop the mower and charge the battery pack. |
| Shining orange | The mower stops due to overheating of the battery or mower overheated. | Remove the battery from the mower, move them to the shade and cool them at least 15 minutes. |
| Flashing orange | The mower stops due to overload. | Remove the battery pack, check and clean if grass has collected beneath the deck. Slow down your pace when cutting. |

MOWER OVERLOAD PROTECTION



To prevent overload conditions, do not try to remove too much grass at one time. Slow down your cutting pace or raise the cut height.

Your mower has built-in overload circuit protection. When the mower is overloaded, the motor will stop and the power indicator on the mower will flash orange. Remove the battery pack from the mower. Check to see if grass has collected beneath the deck and clear it if necessary, then install the battery and restart the mower.

BATTERY HIGH TEMPERATURE PROTECTION

The battery pack will generate heat during operation. The heat dissipates more slowly in hot weather. If the battery temperature exceeds 158°F (70°C) during operation, the protection circuit will immediately turn off the mower to protect the battery pack from heat damage. The power indicator on the mower will shine orange and the LED on the battery will flash orange.

Release the bail handle, wait until the battery pack cools down to approximately 152°F (67°C), then restart the mower.

MOWING TIPS

NOTICE: A sharp blade will greatly enhance the performance of the mower, especially when cutting tall grass. Make sure to check the sharpness of the blade before mowing.

- Verify that the lawn is free of stones, sticks, wires, and other objects which could damage the lawn mower or motor. Such objects could be accidentally thrown by the mower in any direction and could cause serious personal injury to the operator and to others.

⚠ WARNING: If you strike a foreign object, stop the motor and remove the battery. Thoroughly inspect the mower for any damage, and repair the damage before restarting and operating the mower. Excessive vibration of the mower during operation is an indication of damage. The unit should be promptly inspected and repaired.

- For best results, do not mow in circles. Travel back and forth across the lawn.
- When cutting thick grass, reduce your walking speed in order to allow for a more effective cut and a proper discharge of the clippings.
- To maintain a healthy lawn, cut off only one-third or less of the total length of the grass. The average lawn should be approximately 1-1/2 to 2 inches long during cool months, and between 2 to 3-1/4 inches long during hot months.

SLOPE GAUGE (Fig. 21)

⚠ WARNING: Do not mow a slope that has an angle of greater than 15° (a rise of approximately 2-1/2' (0.75m) every 10' (3m)). Mow across the face of a slope and never up and down.

Use Fig. 21 as a guide in order to identify slopes that cannot be mowed safely.

MULCHING TIPS

⚠ WARNING: Inspect the area where the mower is to be used and remove all stones, sticks, wire and other debris that might be thrown by the rotating blade.

- Release the switch to turn off the mower blade rotation when crossing any graveled areas; stones can be thrown by a rotating blade.
- Set the mower to the highest cutting height when mowing on uneven ground or in tall growth.
- For effective mulching, do not cut wet grass; it tends to stick to the underside of the deck, preventing the proper mulching of grass clippings. The best time to mow grass is in the late afternoon, when the grass is dry and the

newly cut area will not be exposed to direct sunlight.

- For the best mulching performance, set the cutting height to remove approximately one third of the grass blade length, ideally no more than 1-1/2" at one time. If the grass is overgrown, it may be necessary to increase the cut height to make it easier to mow and to prevent overloading the motor. Slow your cutting pace in tall or thick grass conditions. For mulching extremely thick or tall grass, it is advisable to first cut at a high cut-height setting, and then re-cut to the final cut height. Otherwise, make narrower cuts and mow slowly. **ALWAYS MAKE SURE THAT THE BLADE IS SHARP.**

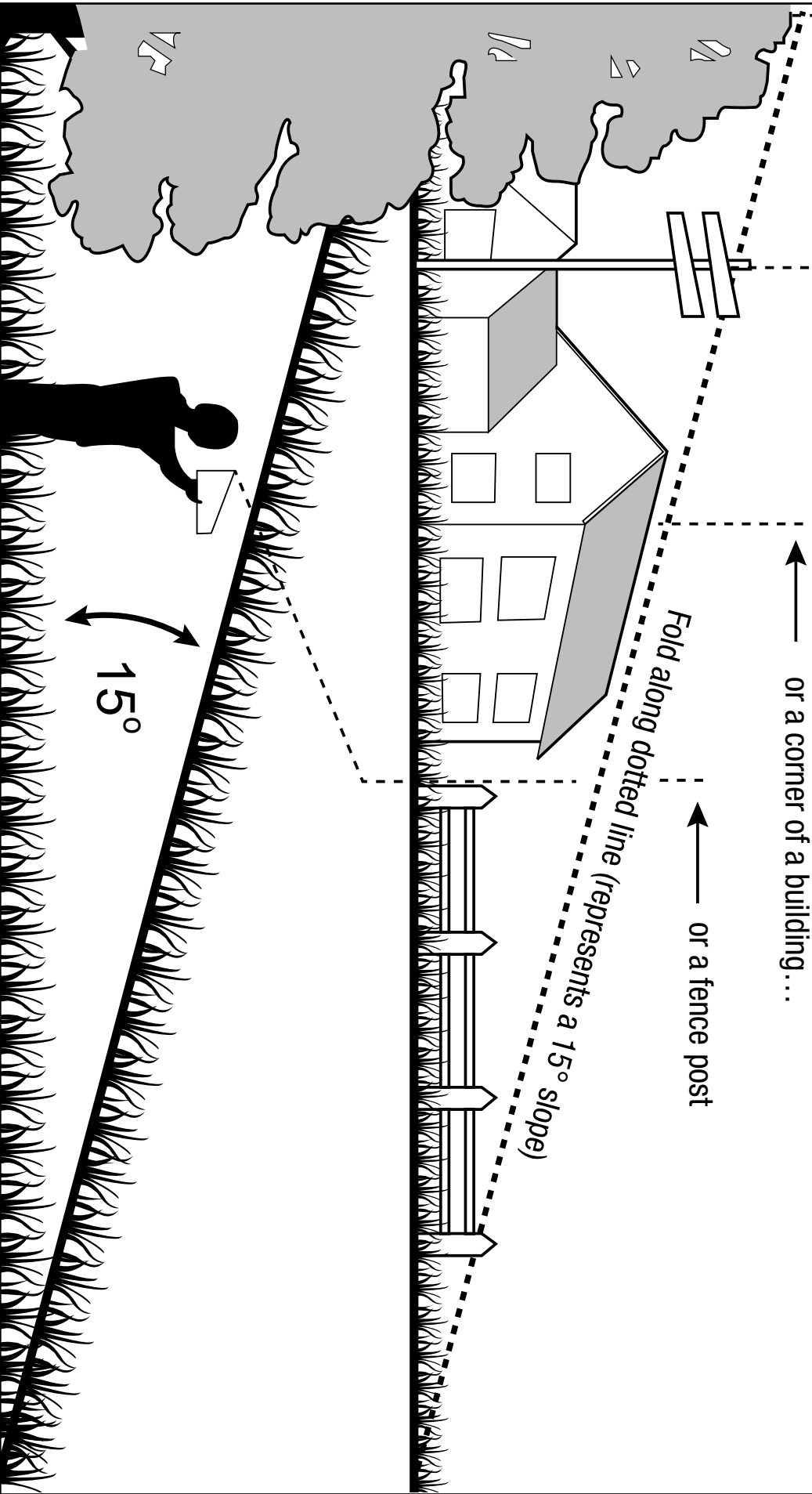
— Sight and hold the line level with a vertical tree...

— Sight and hold the line level with a pole...

— or a corner of a building...

— or a fence post

Fold along dotted line (represents a 15° slope)



MAINTENANCE

⚠ WARNING: To avoid serious personal injury, always remove the battery pack from the mower before cleaning or performing any maintenance.

⚠ WARNING: When servicing, use only identical replacement parts. Use of any other parts may create a hazard or cause product damage. To ensure safety and reliability, all repairs should be performed by a qualified service technician.

CLEANING THE MOWER

⚠ WARNING: Always remove the battery pack when servicing or transporting the mower.

The underside of mower deck should be cleaned after each use, as grass clippings, leaves, dirt and other debris will accumulate. This accumulation is undesirable, as it will promote rust and corrosion.

Remove any build-up of grass and leaves on or around the drive shaft (LM2020SP only) and motor fan (do not use water). Wipe the mower clean with a damp cloth.

REMOVING THE BLADE

⚠ WARNING: Always protect your hands by wearing heavy gloves or wrapping the cutting edges with rags or other materials when performing any maintenance on the mower blade. Always remove the battery pack when servicing or transporting the mower.

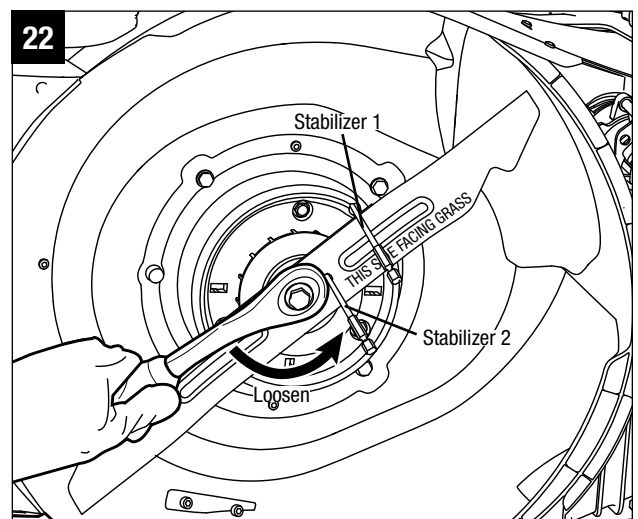
NOTICE: The following tools are required for replacing the blade:

- 9/16" (14mm) wrench
- Torque wrench
- Manual screwdriver or metal rod with a diameter of 5/16" (8mm)
- Manual screwdriver or metal rod with a diameter of 1/4" (6.35mm) or less.

1. Stop the motor; remove the battery pack from the mower.
2. Turn the mower on its side.
3. While wearing protective gloves, place a metal rod (e.g., a 3.5" length screw bit) with diameter less than 5/16" (8mm) into the fixing hole to act as a stabilizer.

NOTICE: If the bolt rotates with the motor shaft when loosening the bolt, turn the fan by hand to align the through holes in the fan with the holes in the blade, and place another metal rod (e.g., a 3.5" length screw bit) with diameter less than 1/4" (6.35mm) into the aligned holes to act as another stabilizer (Fig. 22).

4. Use a 9/16" (14mm) wrench to turn the blade bolt counterclockwise to loosen it.
5. Continue using the 9/16" (14mm) wrench to turn the blade bolt counterclockwise to loosen it completely.
6. While wearing protective gloves, remove the bolt, outer flange and the blade (Fig. 23).

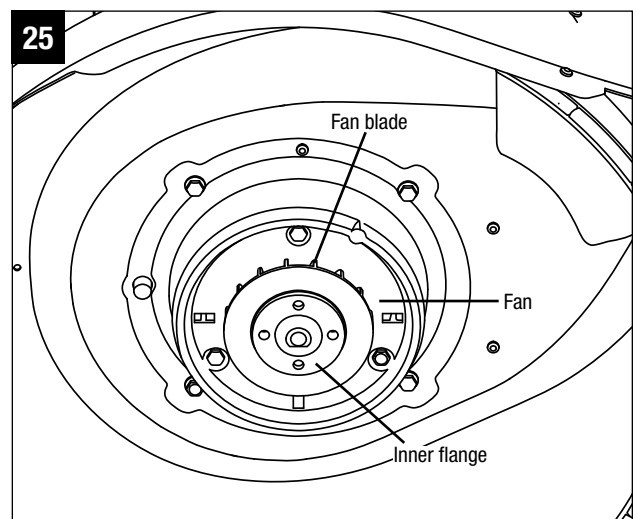
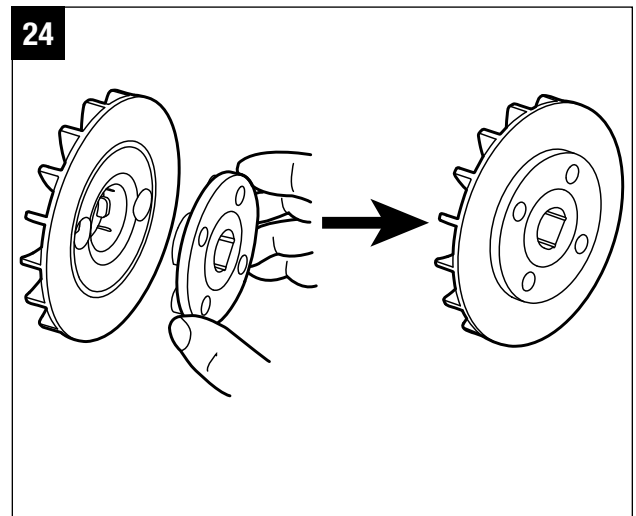
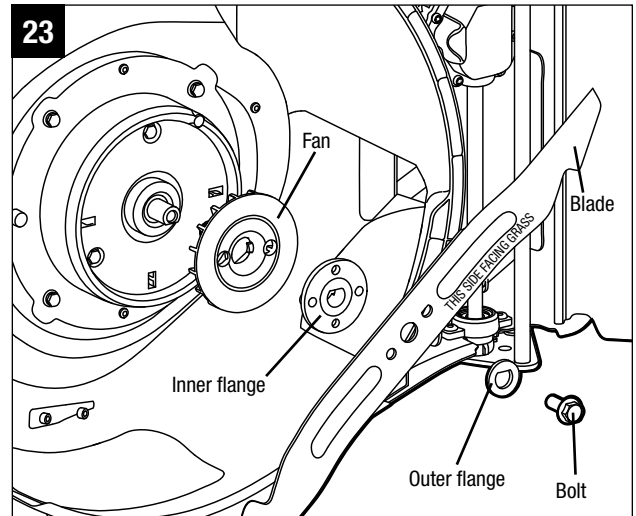


INSTALLING THE BLADE

⚠ WARNING: Always protect your hands by wearing heavy gloves or wrapping the cutting edges with rags or other materials when performing any maintenance on the mower blade. Always remove the battery pack when servicing or transporting the mower.

NOTICE: To re-install or replace the blade, be sure to replace the parts in the exact order in which they were removed (Fig. 23).

1. Mount the inner flange to the fan (Fig. 24).
2. Mount the fan and the inner flange onto the motor shaft with the fan blade towards the deck (Fig. 25).



3. While wearing protective gloves, position the blade on the inner flange with the surface stating “THIS SIDE FACING GRASS” facing toward the outside (Fig. 26).
4. Align the outer flange with the shaft and assemble it in place.
5. Mount the bolt into the shaft and turn it clockwise by hand to pre-tighten it.
6. While still wearing protective gloves, hold the blade with one hand and turn the fan with the other hand to align the holes in the blade with the through holes in the inner flange (Fig. 27).
7. Place a metal rod (e.g., a 3.5" length screw bit) with diameter less than 1/4" (6.35mm) into the aligned holes to act as a stabilizer. Place another metal rod (e.g., a 3.5" length screw bit) with diameter less than 5/16" (8mm) into the fixing hole to act as another stabilizer (Fig. 28).
8. Use a 9/16" (14mm) torque wrench (not included) to tighten the bolt clockwise. The recommended torque for the blade bolt is 36-43 ft-lb (49-59Nm).

SHARPENING THE BLADE

⚠ WARNING: Always protect your hands by wearing heavy gloves or wrapping the cutting edges with rags or other materials when performing any maintenance on the mower blade. Always remove the battery pack when servicing or transporting the mower.

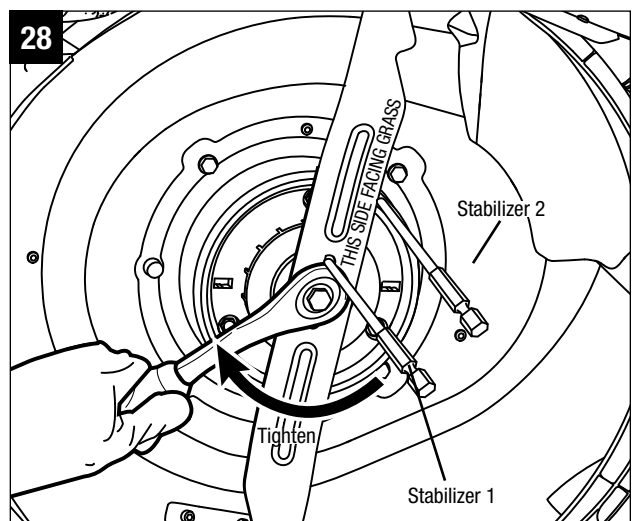
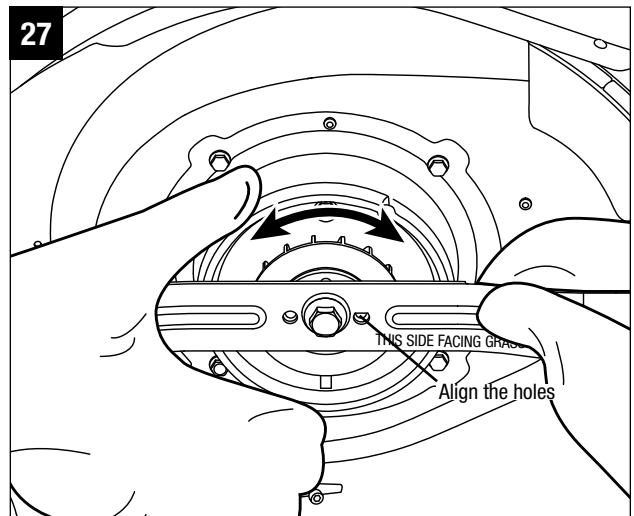
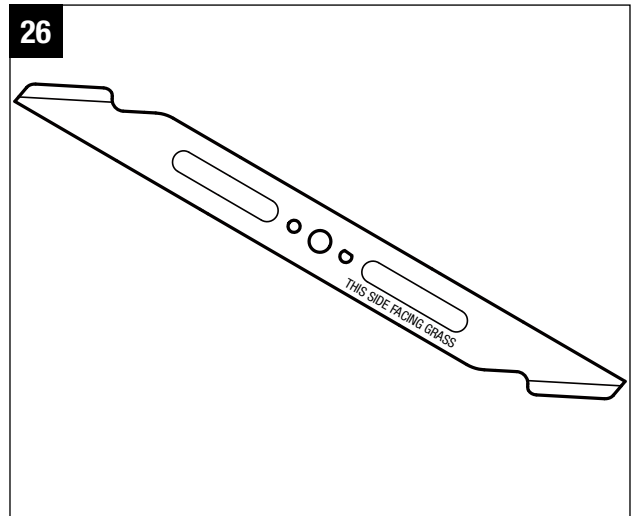
⚠ WARNING: Use proper eye protection while removing, sharpening, and installing the blade.

⚠ WARNING: A worn, cracked, or damaged blade can break and pieces of the damaged blade can become dangerous projectiles. Thrown objects can cause serious injury. Inspect the blade regularly and do not operate the mower with a worn or damaged blade.

NOTICE: Keep the blade sharp for best mower performance. A dull blade does not cut grass cleanly or mulch properly.

A dull blade can be sharpened, but a blade that is excessively worn, bent, cracked, or otherwise damaged must be replaced. A worn or damaged blade can break, causing blade pieces to be thrown from the mower.

If the blades are found to be bent, take the lawn mower to an authorized EGO service center for inspection.



Sharpening Frequency

Sharpening the blade twice during a mowing season is usually sufficient under normal circumstances. Sand causes the blade to dull quickly; if your lawn has sandy soil, more frequent sharpening may be required.

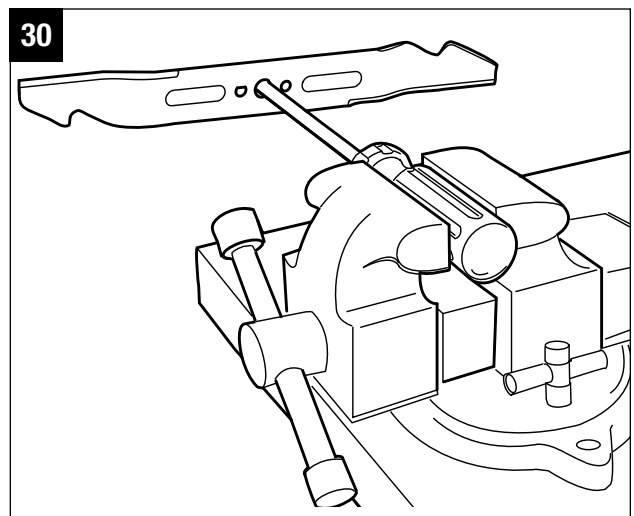
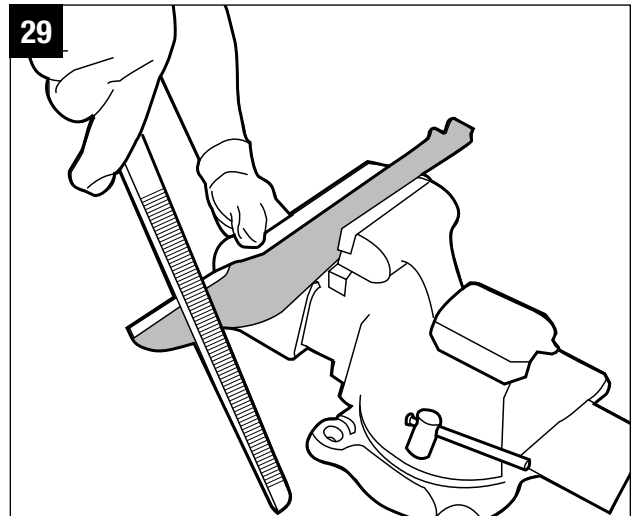
When Sharpening The Blade:

- Make sure that the blade remains balanced.
- Sharpen the blade at the original cutting angle.
- Sharpen the cutting edges on both ends of the blade, removing an equal amount of material from each end.

To Sharpen Blade In A Vise:

1. Remove the blade from the mower (please see REMOVING THE BLADE).
2. Secure the blade in a vise (Fig. 29).
3. Wear proper eye protection and gloves and be careful not to cut yourself.
4. Carefully file the cutting edges of the blade with a fine tooth file or sharpening stone, maintaining the original cutting edge angle.
5. To check the blade balance: clamp a nail or a screw driver with a round shank in the horizontal position. Position the blade so that the nail or round shank of the screwdriver supports the blade through its center hole. Balance the blade horizontally. If either end of the blade rotates downward, remove some metal from the heavy or lower end until the blade is balanced. It is balanced when neither end drops (Fig. 30).
6. Replace the blade on the mower and tighten it securely (please see INSTALLING THE BLADE).

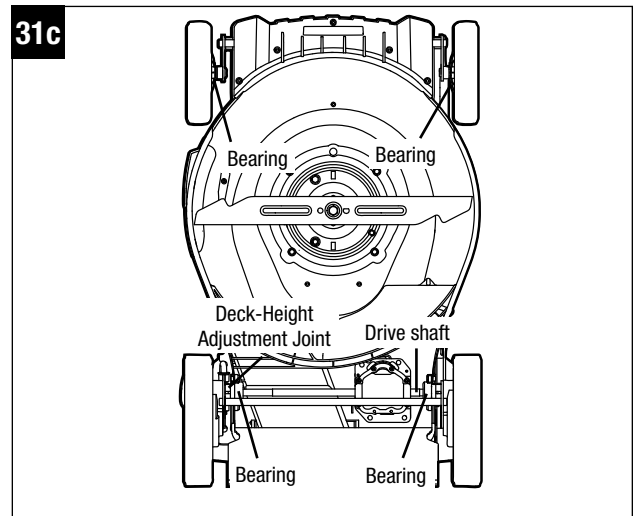
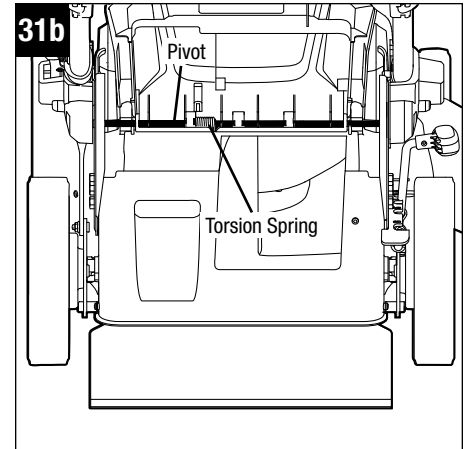
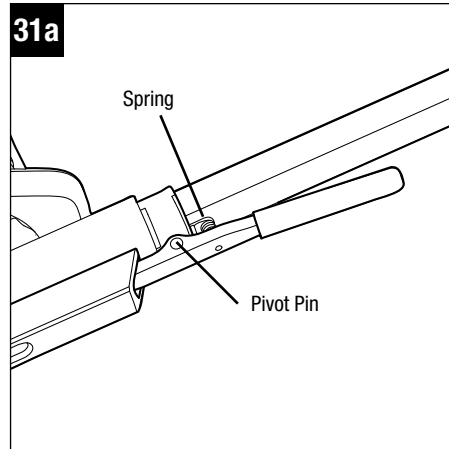
⚠ WARNING: An unbalanced blade will cause excessive vibration when rotating at high speeds. It may cause damage to the mower and could break, causing personal injury.



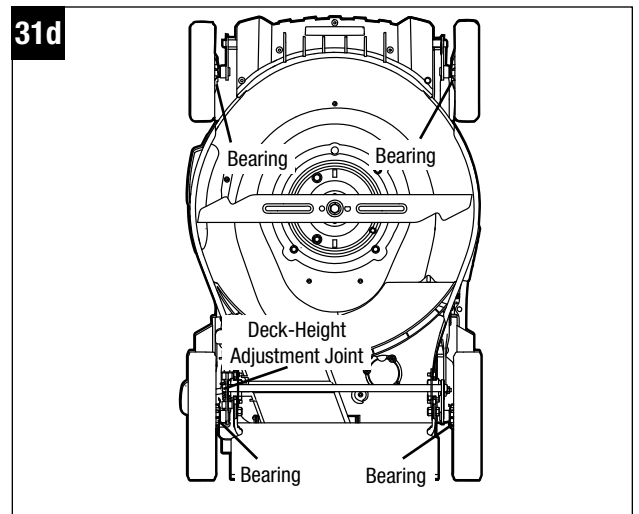
LUBRICATION

Lubricate with light oil as directed below at least once each season.

- Periodically lubricate the spring and pivot pin in the quick-adjust lever, the torsion spring and pivot of the rear-discharge door with light oil to prevent rust (Fig. 31a & 31b).
- Place the mower into the locked storage position:
 1. Move the cutting-height adjustment lever toward the front and engage it in the lowest setting (setting 1).
 2. Open the handle-locking clamps and fully recess the side rails to the compact position.
 3. Press and hold the quick-adjust lever with your right hand to release the handle.
 4. Gently pivot the handle toward the front of the mower; release the quick-adjust lever and continue to pivot the handle until you hear and feel the lock pin engage in the locked storage position.
- Place the folded mower upright on the ground (Fig. 31c & 31d).
- Lubricate the deck-height adjustment joint.
- For LM2020SP, lubricate the bearings on the drive shaft near the rear wheels and the bearings in the front wheels (Fig. 31c).
- For LM2020, lubricate the bearings in both the rear and front wheels (Fig. 31d).



For LM2020SP



For LM2020

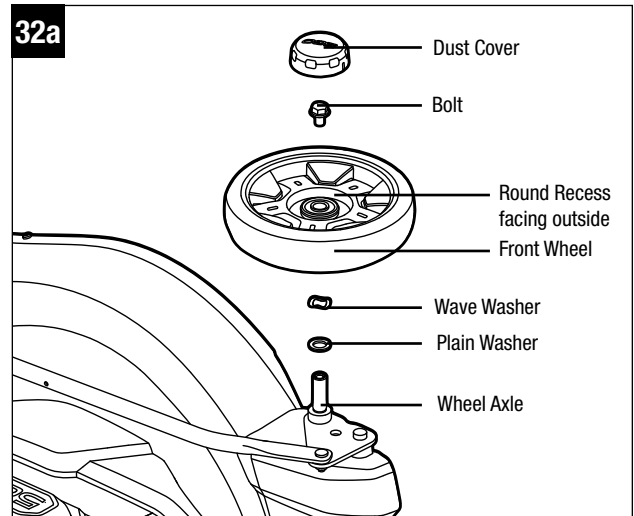
REPLACING THE WHEELS (Fig. 32a, 32b & 32c)

⚠ WARNING: Always remove the battery pack when servicing or transporting the mower.

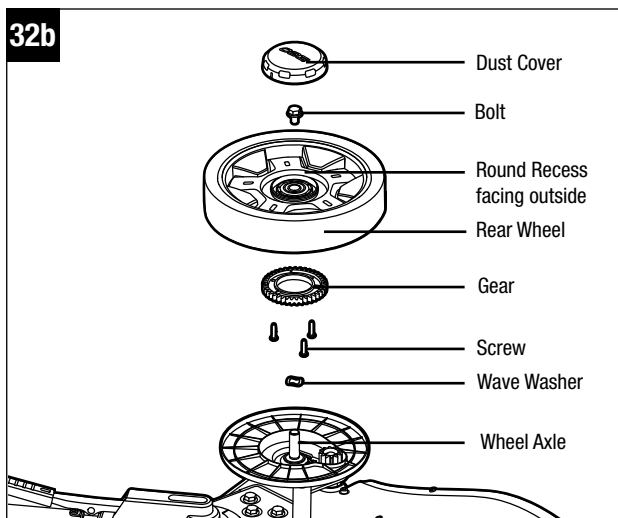
1. Turn the mower on its side with the upper surface against a wall.
2. Use a flat blade screwdriver to pry the dust cover away from the wheel.
3. Use an adjustable or 1/2 inch (13mm) wrench to turn the bolt counterclockwise to loosen it.
4. Remove the bolt, the worn wheel and the washer(s) from the wheel axle.

NOTICE: When replacing the rear wheel for the self propelled mower (LM2020SP), remove the drive gear from the worn wheel and assemble it to the new wheel with the 3 screws.

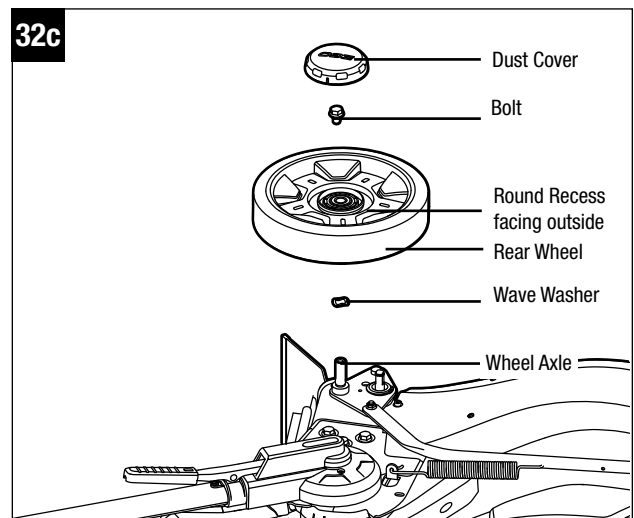
5. Mount the washers and the new wheel on the wheel axle. Note that the round recess must face outward.
6. Lock the wheel with the bolt by tightening the bolt clockwise.
7. Mount the dust cover onto the wheel and press it in place.



Front wheel for both LM2020 & LM2020SP



Rear wheel for LM2020SP



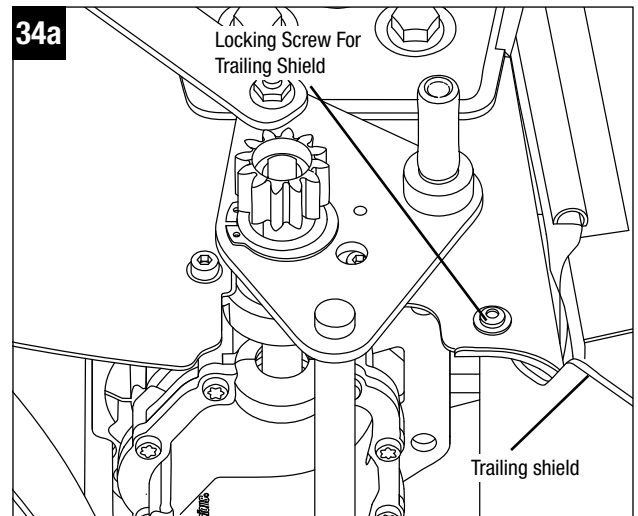
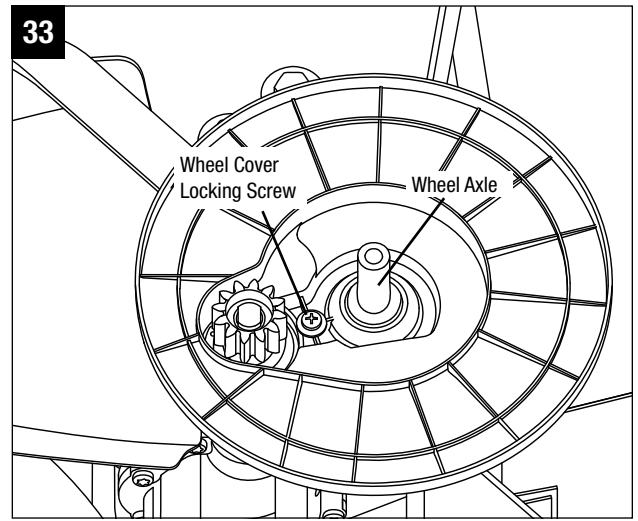
Rear wheel for LM2020

REPLACING THE TRAILING SHIELD

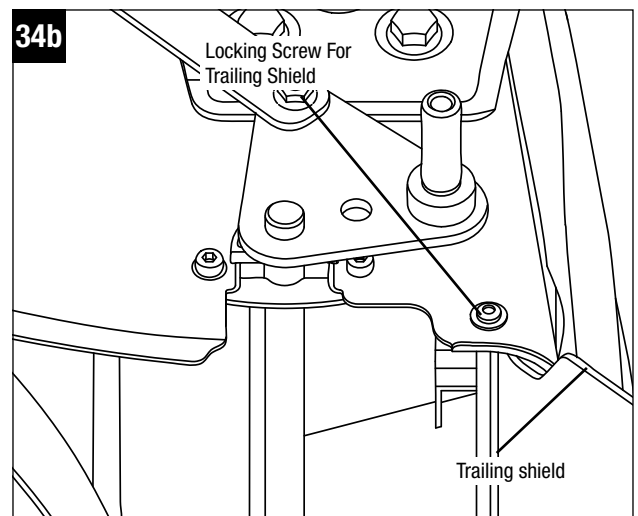
⚠ WARNING: Always remove the battery pack when servicing or transporting the mower.

⚠ WARNING: Never operate the mower unless the trailing shield is in place and working. Never operate the mower with damaged safety devices. Failure to do so can result in personal injury. The trailing shield is subject to wear and damage, which could expose moving parts or allow objects to be thrown. For safety protection, frequently check the trailing shield and replace it immediately with only the identical replacement part, listed in this manual.

1. Remove the battery.
2. Turn the mower on its side with the upper surface against a wall.
3. Remove the rear wheel on the top side, following the section “REPLACING THE WHEELS” in this manual.
4. For self propel mower LM2020SP, loosen the wheel cover locking screw and remove the screw, spring washer and flat washer in that order, then remove the wheel cover from the wheel shaft (Fig. 33).
5. Repeat steps 1 to 3 above to remove the other rear wheel and wheel cover (LM2020SP only).
6. Loosen the locking screw for the trailing shield on both sides; remove the worn trailing shield and the flat washer. Save the washer for reassembly (Fig. 34a & 34b).

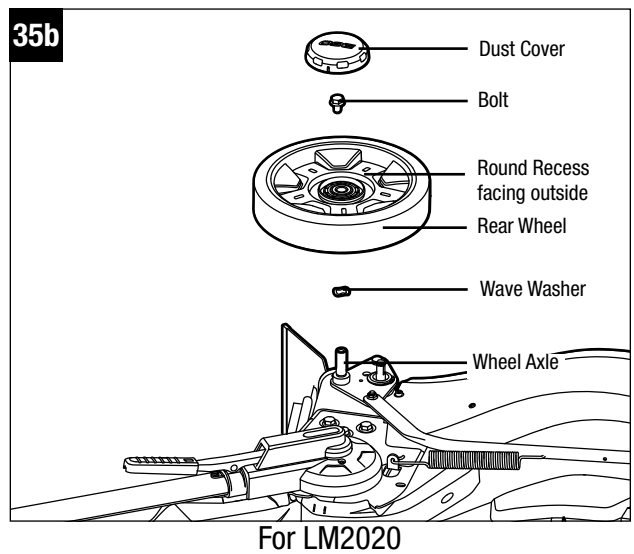
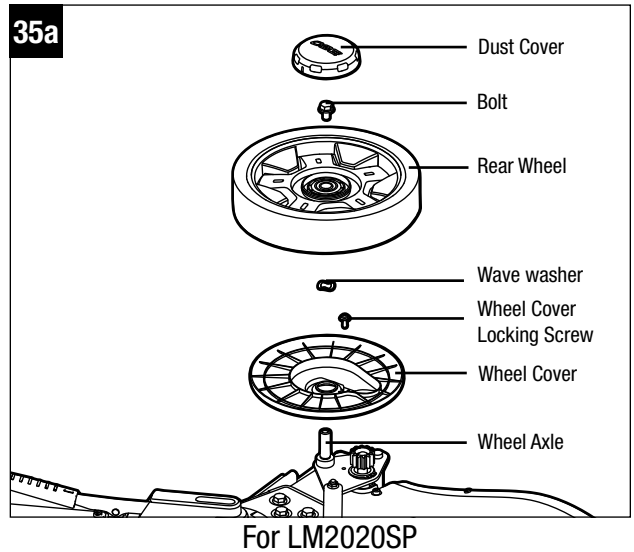


For LM2020SP



For LM2020

7. Replace with a new trailing shield and attach it with the two locking screws and flat washers.
8. Re-install the rear wheel covers (LM2020SP) and rear wheels; be sure to replace the parts in the exact order in which they were removed (Fig. 35a & Fig. 35b)



STORING THE MOWER

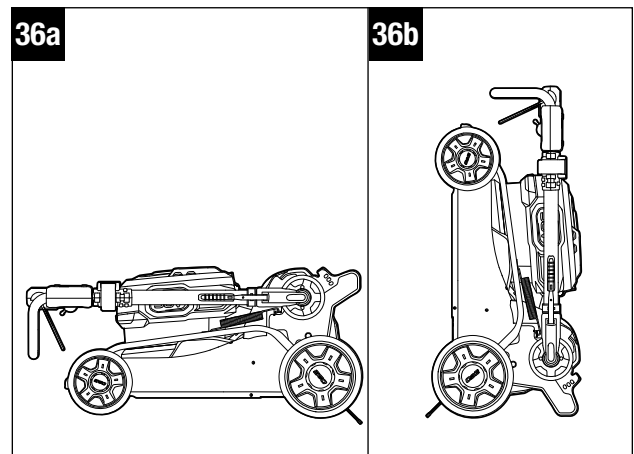
The following steps should be taken in order to prepare the lawn mower for storage.

1. Remove the battery pack from the mower and store it at room temperature in a dry location.
2. Clean the mower as described earlier in the maintenance section.
3. Inspect the blade and replace it or sharpen it if required.
4. Lubricate the mower.
5. Store the mower in a dry, clean location. Do not store it next to corrosive materials, such as fertilizer or rock salt.
6. Store the mower in a covered, enclosed space, that is cool and dry and out of the reach of children.
7. Do not cover the lawn mower with a solid plastic sheet. Plastic coverings trap moisture around the mower, which causes rust and corrosion.

The handle assembly can be folded away completely for storage:

1. Remove the grass bag.
2. Move the cutting-height adjustment lever toward the front and engage it in the lowest setting (setting 1).
3. Open the handle-locking clamps and fully recess the side rails to the compact position.
4. Press and hold the quick-adjust lever with your one hand to release the handle. Gently pivot the handle toward the front of the mower; release the quick-adjust lever and continue to pivot the handle until you hear and feel the lock pin engage in the locked storage position.
5. Store the mower upright or flat (Fig. 36a & 36b).

⚠ WARNING: If the mower tips over from the upright position, mower damage or personal injury may result. Always keep the mower stable and out of the reach of children when it is in the upright position. If possible, lay it flat for storage.



TROUBLESHOOTING

⚠ WARNING: Always remove the battery pack when servicing or transporting the mower. Always protect your hands by wearing heavy gloves or wrapping the cutting edges with rags or other materials when performing any maintenance on the mower blade.

| Problem | Cause | Solution |
|-------------------------------|---|---|
| The mower fails to start. | <ul style="list-style-type: none"> ■ The battery pack is depleted. ■ The battery pack is not mounted in place in the battery compartment. ■ The battery or mower circuitry is too hot. (The power indicator on the mower will illuminate orange) ■ The side rails are not extended to their maximum length and the clamps are not locked in position. ■ The handle is not set at one of the three operating positions. ■ The mower deck is clogged with grass and debris. | <ul style="list-style-type: none"> ■ Charge the battery pack. ■ Attach the battery pack to the mower; press it until you hear a click. ■ Allow the battery pack or mower to cool until the temperature drops below 152°F (67°C). ■ Fully extend the handle and lock both clamps. ■ Adjust the handle to one of the three operating positions. ■ Clean the mower deck and make certain that the blade has freedom of movement. |
| The mower cuts unevenly. | <ul style="list-style-type: none"> ■ The blade is dull. ■ The cutting height is not set properly. ■ The blade is assembled incorrectly. | <ul style="list-style-type: none"> ■ Sharpen or replace the blade. ■ Move the deck height to a higher setting. ■ Reassemble the blade, following the section “INSTALLING THE BLADE” in this manual. |
| The mower stops while mowing. | <ul style="list-style-type: none"> ■ The battery pack is depleted. ■ Mower is in overload condition. ■ Mower deck is clogged with grass and debris. ■ The battery or mower circuitry is too hot. (The power indicator on the mower will illuminate orange for 10 seconds.) ■ The side rail is retracted a little by the pushing force applying on the handle. | <ul style="list-style-type: none"> ■ Charge the battery pack. ■ Raise the cutting height or slow down the mowing. ■ Unclog the mower deck. Raise the cutting height, or cut a narrow swath. ■ Allow the battery pack or mower to cool until the temperature drops below 152°F (67°C). ■ Unlock the clamps. Fully extend the side rails and lock the clamps again. |

| Problem | Cause | Solution |
|---|---|---|
| The mower does not mulch properly. | <ul style="list-style-type: none"> ■ Wet grass clippings are sticking to the underside of the deck. ■ The mower is set to cut too much grass at once. | <ul style="list-style-type: none"> ■ Wait until the grass dries before mowing. ■ Raise the deck to a higher cutting height setting. |
| There is excessive vibration. | <ul style="list-style-type: none"> ■ The cutting blade is loose. ■ The cutting blade is unbalanced. ■ The cutting blade is bent. ■ The motor shaft is bent. | <ul style="list-style-type: none"> ■ Tighten the blade bolt. ■ Balance the blade following the instructions. ■ Replace the blade. ■ Contact the service center. |
| The handle-locking clamps cannot be closed in position. | <ul style="list-style-type: none"> ■ The side rails are not fully extended. | <ul style="list-style-type: none"> ■ Fully extend the side rails, then lock the clamps. |
| Mower is difficult to pull back when the self propel is turned off. | <ul style="list-style-type: none"> ■ The wheels are temporarily locked. | <ul style="list-style-type: none"> ■ Simply push ahead slightly and then move the mower as desired. |
| The motor works but the blade doesn't cut the grass. | <ul style="list-style-type: none"> ■ The blade is not tightened to the required torque. | <ul style="list-style-type: none"> ■ Re-tighten the blade. The recommended torque for the blade bolt is 36-43 ft-lb (49-59Nm). |
| Short running time of the mower with included battery. | <ul style="list-style-type: none"> ■ Grass conditions and cutting height setting will greatly affect the battery run time. The claimed run time is based on a light load condition. | <ul style="list-style-type: none"> ■ Raise the blade height and slow your pace to reduce the cutting load. |

WARRANTY

EGO WARRANTY POLICY

5 year limited warranty on EGO outdoor power equipment and 3 year limited warranty on EGO Power+ System battery packs and chargers.

Please contact EGO Customer Service Toll-Free at 1-855-EGO-5656 any time you have questions or warranty claims.

LIMITED SERVICE WARRANTY

FOR FIVE YEARS from the date of original retail purchase, this EGO product is warranted against defects in material or workmanship. Defective product will receive free repair.

FOR THREE YEARS from the date of original retail purchase, the EGO Power+ System battery pack and charger are warranted against defects in material or workmanship. Defective product will receive free repair.

This warranty does not cover the blade, which is a part that can wear out from normal use within the warranty period.

- This warranty applies only to the original purchaser from an authorized EGO retailer and may not be transferred. Authorized EGO retailers are identified online at <http://egopowerplus.com/pages/warranty-policy>.
- The warranty period for any EGO product or part used for industrial, professional or commercial purpose is one year.
- This warranty is void if the product has been used for rental purpose.
- This warranty does not cover the damage resulting from modification, alteration or unauthorized repair.
- This warranty only covers defects arising under normal usage and does not cover any malfunction, failure or defect resulting from misuse, abuse (including overloading of the product beyond capacity and immersion in water or other liquid), accidents, neglect or lack of proper installation, and improper maintenance or storage.
- This warranty does not cover normal deterioration of the exterior finish, including but not limited to scratches, dents, paint chips, or to any corrosion or discoloring by heat, abrasive and chemical cleaners.

HOW TO OBTAIN SERVICE

For warranty service, please contact EGO customer service toll-free at 1-855-EGO-5656. When requesting warranty service, you must present the original dated sales receipt. An authorized service center will be selected to repair the product according to the stated warranty terms.

ADDITIONAL LIMITATIONS

To the extent permitted by applicable law, all implied warranties, including warranties of MERCHANTABILITY or FITNESS FOR A PARTICULAR PURPOSE, are disclaimed. Any implied warranties, including warranties of merchantability or fitness for a particular purpose, that cannot be disclaimed under state law are limited to five years from the date of purchase for outdoor power equipment and three years from date of purchase for battery pack and charger.

Chervon North America is not responsible for direct, indirect, incidental or consequential damages.

Some states do not allow limitations on how long an implied warranty lasts and/or do not allow the exclusion or limitation of incidental or consequential damages, so the above limitations may not apply to you.

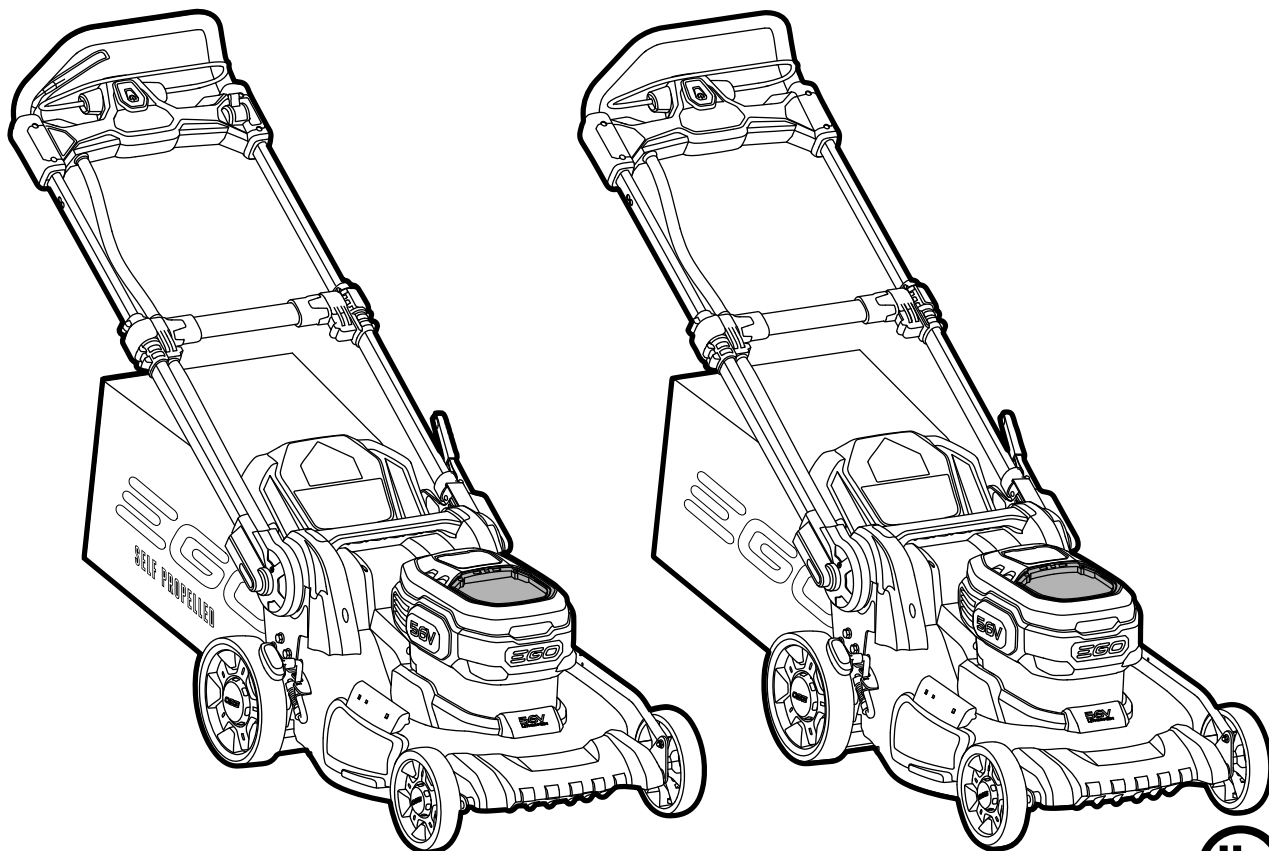
This warranty gives you specific legal rights, and you may also have other rights which vary from state to state.

For customer service contact us toll-free at: **1-855-EGO-5656** or **EGOPOWERPLUS.COM**

EGO Customer Service, 120 Ionia Street SW / Suite 102 Grand Rapids, MI 49503

EGO™

POWER⁺ MOWER



GUIDE D'UTILISATION

TONDEUSE SANS FIL AU LITHIUM-ION DE 56 VOLTS

NUMÉRO DE MODÈLE LM2020SP/LM2020



AVERTISSEMENT : Afin de réduire les risques de blessure, l'utilisateur doit lire et comprendre le guide d'utilisation avant d'utiliser ce produit. Conservez le présent guide afin de pouvoir le consulter ultérieurement.

TABLE DES MATIÈRES

| | |
|--|-------|
| Symboles de sécurité | 40 |
| Consignes de sécurité | 41-42 |
| Règles de sécurité pour la tondeuse sans fil. | 43-46 |
| Caractéristiques | 47-48 |
| Description | 49-51 |
| Assemblage | 51-55 |
| Fonctionnement | 55-62 |
| Entretien | 63-71 |
| Dépannage | 72-73 |
| Garantie | 73-74 |

VEUILLEZ LIRE TOUTES LES INSTRUCTIONS



**VOUS DEVEZ LIRE ET COMPRENDRE
TOUTES LES INSTRUCTIONS DU GUIDE**

⚠ AVERTISSEMENT : L'état de la Californie reconnaît que la poussière créée par la puissance de coupe contient des produits chimiques considérés comme causant le cancer, des anomalies congénitales ou des problèmes du système reproducteur. Voici des exemples de ces produits chimiques :

- Du plomb contenu dans la peinture au plomb;
- De la silice cristallisée contenue dans les briques, le ciment et d'autres produits de maçonnerie; et
- De l'arsenic et du chrome contenus dans le bois de construction traité avec des produits chimiques.

Les risques liés à l'exposition de ces produits varient en fonction de la fréquence à laquelle vous effectuez ce type de travaux. Pour réduire votre exposition à ces produits chimiques, travaillez dans une zone bien ventilée et portez l'équipement de sécurité approuvé, comme les masques antipoussière reconnus spécialement pour ne pas laisser passer les particules microscopiques.

SYMBOLES DE SÉCURITÉ

L'objectif des symboles de sécurité est d'attirer votre attention sur les dangers potentiels. Vous devez examiner attentivement et bien comprendre les symboles de sécurité et les explications qui les accompagnent. Les symboles d'avertissement n'éliminent pas le danger d'eux-mêmes. Les consignes et les avertissements qu'ils donnent ne remplacent en aucun cas la prise de mesures préventives adéquates.

▲ AVERTISSEMENT : Avant d'utiliser cet outil, veuillez à lire et à comprendre toutes les consignes de sécurité du guide d'utilisation, notamment tous les symboles d'alerte de sécurité comme « DANGER », « AVERTISSEMENT » et « ATTENTION ». Le fait de ne pas respecter toutes les consignes ci-dessous peut occasionner une décharge électrique, un incendie ou des blessures graves.

SIGNIFICATION DES SYMBOLES

▲ SYMBOLE D'ALERTE DE SÉCURITÉ : indique un DANGER, un AVERTISSEMENT ou une ATTENTION. Il peut être utilisé en conjonction avec d'autres symboles ou pictogrammes.



▲ AVERTISSEMENT : L'utilisation de tout outil électrique peut occasionner la projection de corps étrangers dans les yeux et ainsi entraîner des lésions oculaires graves. Avant d'utiliser un outil électrique, veuillez à toujours porter des lunettes de protection couvrantes ou à écrans latéraux, ou un masque complet au besoin. Nous recommandons le port d'un masque de sécurité panoramique par-dessus les lunettes ou de lunettes de sécurité standard avec écrans latéraux. Portez toujours un équipement de protection oculaire conforme à la norme ANSI Z87.1.

CONSIGNES DE SÉCURITÉ

Cette page illustre et décrit les symboles de sécurité qui peuvent être présents sur ce produit. Vous devez lire, comprendre et suivre toutes les instructions présentes sur l'appareil avant d'entamer son assemblage ou sa manipulation.

| | | |
|--|--|--|
| | Alerte de sécurité | Indique un risque de blessure potentielle. |
| | Protection oculaire | Lorsque vous utilisez ce produit, portez toujours des lunettes de protection ou de sécurité à écrans latéraux et un masque de protection complet. |
| | Lisez le guide d'utilisation | Afin de réduire les risques de blessure, l'utilisateur doit lire et comprendre le guide d'utilisation avant d'utiliser ce produit. |
| | Maintenez les dispositifs de sécurité | N'ouvrez pas et n'enlevez pas les écrans de sécurité pendant que l'outil est en fonction. |
| | Regardez derrière lorsque vous faites marche arrière | Regardez par terre et derrière vous avant de reculer pour éviter de trébucher. |
| | DANGER – Gardez les mains et les pieds à l'écart | Afin de réduire les risques de blessure, gardez les mains et les pieds à l'écart des pièces mobiles. N'utilisez pas l'appareil si le couvercle d'évacuation et le sac de déchets de coupe ne sont pas bien placés. Remplacez immédiatement les pièces endommagées. |
| | DANGER – Maintenez toute personne à l'écart | N'utilisez pas cette tondeuse en présence d'enfants ou d'autres personnes. |
| | DANGER – Projection de débris | Enlevez les objets qui pourraient être projetés dans toutes les directions par la lame. Portez des lunettes de sécurité. |
| | DANGER – Danger dans les pentes raides | Soyez particulièrement prudent dans les pentes. N'utilisez pas la tondeuse dans les pentes inclinées à plus de 15 degrés. |

| | | |
|----------|-------------------------------|---|
| | Symboles de recyclage | Ce produit fonctionne à l'aide d'un bloc-pile au lithium-ion (Li-ion). La législation locale, provinciale ou fédérale peut interdire la mise au rebut des blocs-piles dans une poubelle ordinaire. Consultez l'organisme local en maître de déchets au sujet des options disponibles pour la mise au rebut ou le recyclage. |
| IPX4 | Niveau de protection d'indice | Protection contre les projections d'eau |
| V | Volt | Tension |
| A | Ampère | Courant |
| Hz | Hertz | Fréquence (cycles par seconde) |
| W | Watt | Électricité |
| min | Minutes | Temps |
| ~ | Courant alternatif | Type de courant |
| ≡ | Courant continu | Type de courant ou caractéristique de courant |
| n_0 | Vitesse à vide | Vitesse de rotation à vide |
| ... /min | Par minute | Rotations par minute |

⚠ AVERTISSEMENT : Pour assurer la sécurité et la fiabilité de l'appareil, toutes les réparations doivent être effectuées par un technicien en entretien et en réparation qualifié.

RÈGLES DE SÉCURITÉ POUR LA TONDEUSE SANS FIL

⚠ DANGER : Cet appareil a été conçu pour être utilisé conformément aux règles d'utilisation sécuritaire indiquées dans ce guide. Comme avec tout autre type d'équipement électrique, la négligence ou une erreur de la part de l'utilisateur peut provoquer des blessures graves. Cet appareil peut amputer les mains et les pieds et projeter des débris. Le non-respect de toutes les consignes de sécurité peut provoquer des blessures graves ou mortelles.

⚠ AVERTISSEMENT : Lors de l'utilisation de tondeuses électriques, les consignes de sécurité fondamentales doivent toujours être observées afin de réduire le risque d'incendie, de décharge électrique et de blessure. Ces consignes fondamentales comprennent notamment :

ENFANTS

Des accidents graves peuvent se produire si l'utilisateur n'est pas très vigilant en présence d'enfants. Les enfants sont souvent attirés par la tondeuse et la tonte du gazon. Ils ne sont pas conscients des dangers. Ne supposez jamais qu'ils vont rester là où vous les avez vus.

- Éloignez les enfants de la surface à tondre. Assurez-vous qu'ils sont sous la surveillance attentive d'un adulte responsable autre que l'utilisateur.
- Soyez vigilant et mettez la tondeuse hors tension si un enfant pénètre dans la surface à tondre.
- Soyez particulièrement prudent à l'approche des angles sans visibilité, des entrées de porte, des buissons, des arbres ou des autres objets qui pourraient vous empêcher de voir un enfant surgissant devant la tondeuse.
- Ne laissez jamais des enfants de moins de 14 ans utiliser une tondeuse électrique. Les enfants âgés de 14 ans au moins devraient lire et comprendre les instructions d'utilisation et les règles de sécurité contenues dans ce guide et devraient être formés et supervisés par un parent. Seules les personnes responsables qui connaissent les règles d'utilisation sécuritaire devraient être autorisées à utiliser cet appareil.

FONCTIONNEMENT

Fonctionnement général :

- Veuillez lire attentivement l'ensemble de ce guide d'utilisation avant d'entamer l'assemblage de cet appareil. Vous devez lire, comprendre et suivre toutes les instructions présentes sur l'appareil et dans les manuels avant de l'utiliser. Avant d'utiliser cet appareil, familiarisez-vous avec toutes ses commandes et son utilisation correcte. Conservez ce guide en lieu sûr afin de pouvoir le consulter ultérieurement et régulièrement ainsi que pour commander des pièces de rechange.
- Utilisez l'appareil adapté à votre tâche – N'utilisez pas cette tondeuse à des fins autres que celles pour lesquelles elle a été conçue.
- Ne tendez pas les bras trop loin – Maintenez des appuis et un équilibre adéquats en tout temps.
- Des objets coincés dans la lame de la tondeuse peuvent causer des blessures graves. Vous devriez toujours examiner attentivement le gazon et enlever tous les objets qui s'y trouvent avant de le tondre.
- Éloignez toutes les personnes, en particulier les jeunes enfants, ainsi que les animaux de la surface à tondre.
- Avant de reculer et pendant que vous le faites, regardez derrière vous et par terre pour vous assurer qu'il n'y a pas de jeunes enfants ou d'autres personnes.
- Restez à l'écart des ouvertures d'évacuation en tout temps.

- Vous devez donc faire preuve d'une prudence extrême en tout temps. Cet appareil a été conçu pour effectuer une tâche précise : tondre le gazon. Ne l'utilisez à aucune autre fin.
- Ne forcez pas la tondeuse – elle vous permettra d'accomplir le travail pour lequel elle a été conçue plus efficacement et avec plus de sécurité si vous l'utilisez au rythme approprié.
- Inspectez soigneusement l'endroit où vous souhaitez utiliser la tondeuse. Enlevez toutes les pierres, les brindilles, les fils, les jouets et les autres corps étrangers sur lesquels vous pourriez trébucher ou qui pourraient être ramassés et projetés par la lame. Les débris projetés peuvent causer des blessures graves. Planifiez votre circuit de tonte pour éviter d'évacuer des débris sur la route, le trottoir ou les observateurs. Évitez également d'évacuer des débris sur les murs ou sur d'autres obstacles. Ceux-ci pourraient alors ricocher vers l'utilisateur.
- Pour éviter tout contact avec la lame ou toute blessure causée par la projection de débris, restez dans la zone de l'utilisateur, derrière les poignées, et gardez les enfants, les observateurs, les personnes qui vous aident et les animaux à au moins 30 m (100 pi) de la tondeuse lorsqu'elle fonctionne. Mettez l'appareil hors tension si quelqu'un pénètre dans la zone.
- Portez toujours des lunettes de protection ou de sécurité lorsque vous utilisez cet appareil, ainsi que lors d'un réglage ou d'une réparation, afin de protéger vos yeux. Les débris projetés peuvent ricocher et causer des blessures graves aux yeux. Portez toujours un masque de protection ou un masque antipoussières lorsque l'endroit est poussiéreux.
- Habillez-vous convenablement – Ne portez pas de vêtements amples ni de bijoux qui peuvent s'accrocher. Ils pourraient se coincer dans les pièces mobiles de l'appareil. Le port de gants et de chaussures en caoutchouc est recommandé lorsque vous travaillez à l'extérieur. Portez des chaussures robustes à semelle épaisse et des vêtements bien ajustés. Une chemise et un pantalon qui protègent les bras et les jambes et des chaussures à bout d'acier sont recommandés. N'utilisez jamais la tondeuse si vous êtes pieds nus ou si vous portez des sandales ou des chaussures glissantes ou légères (par exemple, des chaussures de toile).
- Ne placez pas vos mains ou vos pieds près d'une pièce en mouvement ou sous le plateau de coupe. Tout contact avec la lame peut amputer les mains ou les pieds.
- Un couvercle d'évacuation manquant ou endommagé peut causer un contact avec la lame ou des blessures provoquées par la projection de débris.
- De nombreuses blessures surviennent lorsque la tondeuse passe sur le pied de l'utilisateur qui glisse ou trébuche et fait une chute. En cas de chute, ne retenez pas la tondeuse; lâchez immédiatement la poignée.
- Ne tirez jamais la tondeuse vers vous en marchant. Si vous devez reculer la tondeuse d'un mur ou d'un obstacle, regardez d'abord par terre et derrière vous pour éviter de trébucher, puis suivez ces étapes :
 - Éloignez-vous de la tondeuse en tendant complètement les bras.
 - Assurez-vous que vos appuis sont fermes et équilibrés.
 - Reculez lentement la tondeuse, au maximum à mi-chemin vers vous.
 - Répétez ces étapes au besoin.
- N'utilisez pas la tondeuse sous l'influence d'alcool ou de drogues.
- Restez attentif – faites attention à ce que vous faites. Faites preuve de bon sens. N'utilisez pas la tondeuse lorsque vous êtes fatigué.
- La manette de contrôle du moteur et de la lame est un dispositif de sécurité. Ne tentez jamais de contourner son fonctionnement. Cela rendrait le dispositif de sécurité inopérant et pourrait causer des blessures par contact avec la lame rotative. La manette de contrôle du moteur et de la lame doit pouvoir fonctionner librement dans les deux directions et retourner automatiquement à la position retirée lorsque vous la relâchez.

- Éviter un environnement dangereux. N'utilisez pas la tondeuse dans un endroit mouillé ou humide afin d'éviter de glisser ou de tomber lorsqu'elle est en marche.
- Maintenez toujours une posture stable. Vous pourriez vous blesser gravement si vous glissez et tombez. Si vous sentez que vous perdez l'équilibre, relâchez immédiatement la manette de contrôle du moteur et de la lame. La lame s'arrêtera de tourner dans trois secondes.
- Utilisez la tondeuse uniquement durant le jour ou avec un bon éclairage artificiel. Marcher, ne jamais courir en fonctionnement.
- Arrêtez la lame avant de traverser une allée recouverte de gravier, un trottoir ou une route.
- Si l'équipement venait à vibrer de manière anormale, arrêtez le moteur et vérifiez immédiatement la cause. Des vibrations sont généralement l'indication d'un problème.
- Coupez le moteur et attendez que la lame s'arrête complètement, puis retirez la clé de sécurité et le bloc-pile avant de nettoyer l'appareil, d'enlever ou de remplacer le sac de déchets de coupe, le raccord pour déchiquetage ou la sortie d'évacuation latérale ou de déboucher la sortie. La lame de coupe continuera à tourner pendant quelques secondes après l'arrêt du moteur. Ne placez jamais une partie du corps à proximité de la lame tant que vous n'êtes pas certain que la lame a cessé de tourner.
- N'utilisez jamais la tondeuse si elle n'est pas munie d'un écran postérieur, d'un couvercle d'évacuation, d'un sac de déchets de coupe, d'un raccord pour déchiquetage, d'une sortie d'évacuation latérale, d'une manette de contrôle du moteur et de la lame ou d'autres dispositifs de sécurité protecteurs qui fonctionnent adéquatement. N'utilisez jamais la tondeuse si les dispositifs de sécurité sont endommagés. Cela pourrait entraîner des blessures.
- S'il se produit une situation qui ne figure pas dans le présent guide, faites preuve de prudence et de bon jugement. Communiquez avec le centre de service EGO pour obtenir de l'aide.
- Utilisez le produit uniquement avec les blocs-piles et les chargeurs indiqués ci-dessous :

| BLOC-PILE | CHARGEUR |
|--|------------------|
| BA1120, BA1400, BA2240 BA2800, BA4200 | CH5500 CH2100 |

UTILISATION SUR UNE PENTE :

Les blessures graves causées par des chutes par glissade se produisent souvent dans des pentes. Les travaux effectués sur un terrain en pente exigent des précautions supplémentaires. Si vous ne vous sentez pas à l'aise sur une pente, n'utilisez pas la tondeuse. Par mesure de sécurité, utilisez l'inclinomètre qui figure à la page 22 pour mesurer la pente du terrain avant d'utiliser cet appareil sur un terrain en pente ou vallonné. Si la pente est inclinée à plus de 15 degrés, n'utilisez pas la tondeuse.

À faire :

- Travaillez parallèlement à la pente, jamais perpendiculairement. Faites très attention en changeant de direction sur une pente.
- Faites attention aux trous, aux ornières, aux objets dissimulés ou aux bosses qui pourraient vous faire glisser ou trébucher. Des herbes hautes peuvent dissimuler des obstacles.

À ne pas faire :

- Ne tondez pas près d'une falaise, d'un fossé ou d'un remblai; vous pourriez perdre pied ou perdre l'équilibre.
- N'utilisez pas la tondeuse si la pente est inclinée à plus de 15 degrés, comme l'indique l'inclinomètre.

- Ne coupez pas l'herbe si elle est mouillée. Un appui instable pourrait vous faire glisser.

ENTRETIEN

▲ AVERTISSEMENT : Les éléments du sac de déchets de coupe, le couvercle d'évacuation, la sortie d'évacuation latérale, le raccord pour déchetage et l'écran postérieur peuvent s'user et subir des dommages. En cas d'usure et de dommages, les pièces mobiles risquent d'être exposées et des débris risquent d'être projetés, ce qui augmente le risque de blessure. Par mesure de sécurité, vérifiez souvent tous les éléments et, s'ils sont endommagés, remplacez-les immédiatement par des pièces identiques à celles figurant dans ce guide.

- Si l'interrupteur de protection contre les surcharges intégré à la tondeuse se déclenche fréquemment, communiquez avec le service à la clientèle EGO ou le centre de service EGO le plus près.
- Ne nettoyez pas la tondeuse avec un jet d'eau, car de l'eau pourrait s'infiltrer dans le moteur et les connexions électriques.
- Retirez la clé et remisez la tondeuse à l'intérieur lorsqu'elle n'est pas utilisée. Laissez le moteur refroidir avant de remiser la tondeuse. La tondeuse doit être rangée dans un endroit sec, surélevé ou verrouillé, hors de la portée des enfants.
- Lorsque vous procédez à l'entretien de la tondeuse, utilisez uniquement des pièces de rechange identiques à celles indiquées dans ce guide. L'utilisation de pièces ne correspondant pas aux caractéristiques de l'équipement d'origine peut causer un fonctionnement inadéquat et compromettre la sécurité.
- Enlevez ou débranchez le bloc-pile avant de procéder à l'entretien ou au nettoyage de la tondeuse ou d'en retirer du matériel.
- Suivez les instructions de graissage et de changement d'accessoires.
- Maintenez les poignées sèches, propres et exemptes d'huile ou de graisse.
- Pour réduire les risques d'incendie, éliminez l'accumulation de brins d'herbe, de feuilles et d'autres débris sur le moteur.
- Vérifiez fréquemment que les boulons de fixation du moteur et des lames sont correctement serrés. De plus, effectuez une inspection visuelle des lames pour vérifier qu'elles ne sont pas endommagées (par exemple, tordues, fissurées ou usées). Remplacez la lame uniquement avec une lame de rechange identique à celle indiquée dans ce guide.
- Entretenez soigneusement votre tondeuse – gardez la lame affûtée et propre pour un rendement plus efficace et plus sécuritaire. Les lames sont tranchantes et peuvent causer des coupures. Recouvrez la lame ou portez des gants et soyez très prudent lorsque vous en faites l'entretien.
- Assurez-vous que tous les écrous, les boulons et les vis sont bien serrés pour que l'équipement soit toujours en bon état de fonctionnement.
- Ne touchez jamais les dispositifs de sécurité et ne les enlevez pas. Vérifiez régulièrement qu'ils fonctionnent correctement. Ne faites jamais quoi que ce soit qui puisse interférer avec la fonction prévue d'un dispositif de sécurité ou qui réduirait la protection offerte par un dispositif de sécurité.
- Arrêtez toujours le moteur avant de procéder à des réglages à une roue ou à la hauteur du plateau de coupe.
- Arrêtez le moteur après avoir heurté un objet quelconque, enlevez la clé et vérifiez soigneusement que la tondeuse n'est pas endommagée. Réparez les dommages avant d'utiliser la tondeuse.
- Conservez les plaques signalétiques d'instruction et de sécurité ou remplacez-les au besoin.
- **CONSERVEZ CES INSTRUCTIONS.** Consultez-les régulièrement et utilisez-les pour expliquer le fonctionnement de l'outil à d'autres personnes qui l'utiliseraient. Si vous prêtez cet outil à une personne, prêtez-lui également ces

instructions afin de prévenir un usage inapproprié et des blessures potentielles.

INTRODUCTION

Nous vous félicitons d'avoir choisi une tondeuse de nouvelle génération alimentée par un bloc-pile au lithium-ion de 56 V. Elle a été conçue et fabriquée afin de vous offrir la meilleure fiabilité et le meilleur rendement possible.

Si vous éprouvez un problème que vous n'arrivez pas à régler facilement, veuillez communiquer avec le centre de service à la clientèle EGO au 1-855-EGO-5656.

Ce guide contient des renseignements importants sur l'assemblage, le fonctionnement et l'entretien en toute sécurité de votre tondeuse. Lisez-le soigneusement avant d'utiliser la tondeuse. Conservez ce guide à portée de main afin de pouvoir le consulter à tout moment.

NUMÉRO DE SÉRIE _____ DATE D'ACHAT _____

LES NUMÉROS DE MODÈLE ET DE SÉRIE SE TROUVENT SUR LA PLAQUE SIGNALÉTIQUE FIXÉE AU CLAPET D'ÉVACUATION ARRIÈRE.

NOUS VOUS RECOMMANDONS DE PRENDRE EN NOTE LE NUMÉRO DE SÉRIE ET LA DATE D'ACHAT ET DE LES CONSERVER EN LIEU SÛR AFIN DE POUVOIR LES CONSULTER ULTÉRIEUREMENT.

CARACTÉRISTIQUES

| Numéro de modèle | LM2020 | LM2020SP |
|---|----------------------|----------------------|
| Système automoteur | No | Yes |
| Tension | 56V DC | 56V DC |
| Vitesse à vide | 3000 rpm | 3000 rpm |
| Réglage approximatif de la hauteur de coupe | | |
| 1 | 1-3/16" (30mm) | 1-3/16" (30mm) |
| 2 | 1-9/16" (40mm) | 1-9/16" (40mm) |
| 3 | 2-1/8" (55mm) | 2-1/8" (55mm) |
| 4 | 2-3/4" (70mm) | 2-3/4" (70mm) |
| 5 | 3-3/8" (85mm) | 3-3/8" (85mm) |
| 6 | 4" (100mm) | 4" (100mm) |
| Taille du plateau de coupe | 20" | 20" |
| Volume du sac de déchets de coupe | 60 L (1,7 boisseau) | 60 L (1,7 boisseau) |
| Poids de la tondeuse (sans le bloc-pile, avec le raccord pour déchiquetage) | 55.18 lb. (25.08 Kg) | 60.68 lb. (27.58 Kg) |

DURÉE D'UTILISATION APPROXIMATIVE

| Modèle | Bloc-pile | Avec bloc-pile BA2800 de 56 V et de 5,0 Ah | Avec bloc-pile BA4200 de 56 V et de 7,5 Ah |
|--------|-----------|--|--|
| | | LM2020 | 55 min. |
| | LM2020SP | 45 min. | 70 min. |

REMARQUE : La durée de fonctionnement réelle varie en fonction de l'état du gazon, par exemple, de l'espèce, de la densité, de l'humidité, etc.

ACCESSOIRES

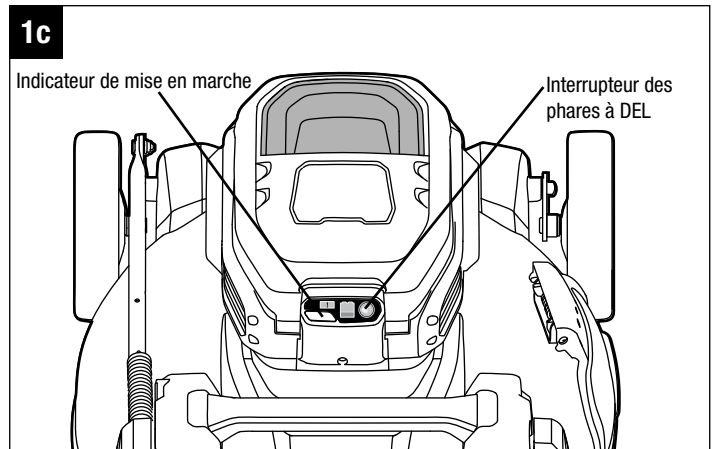
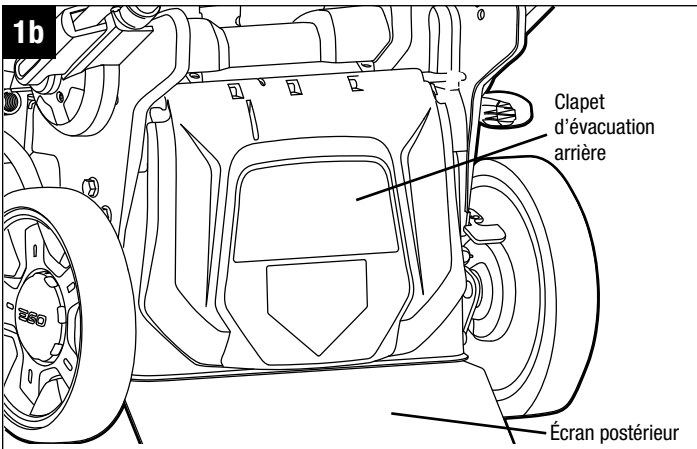
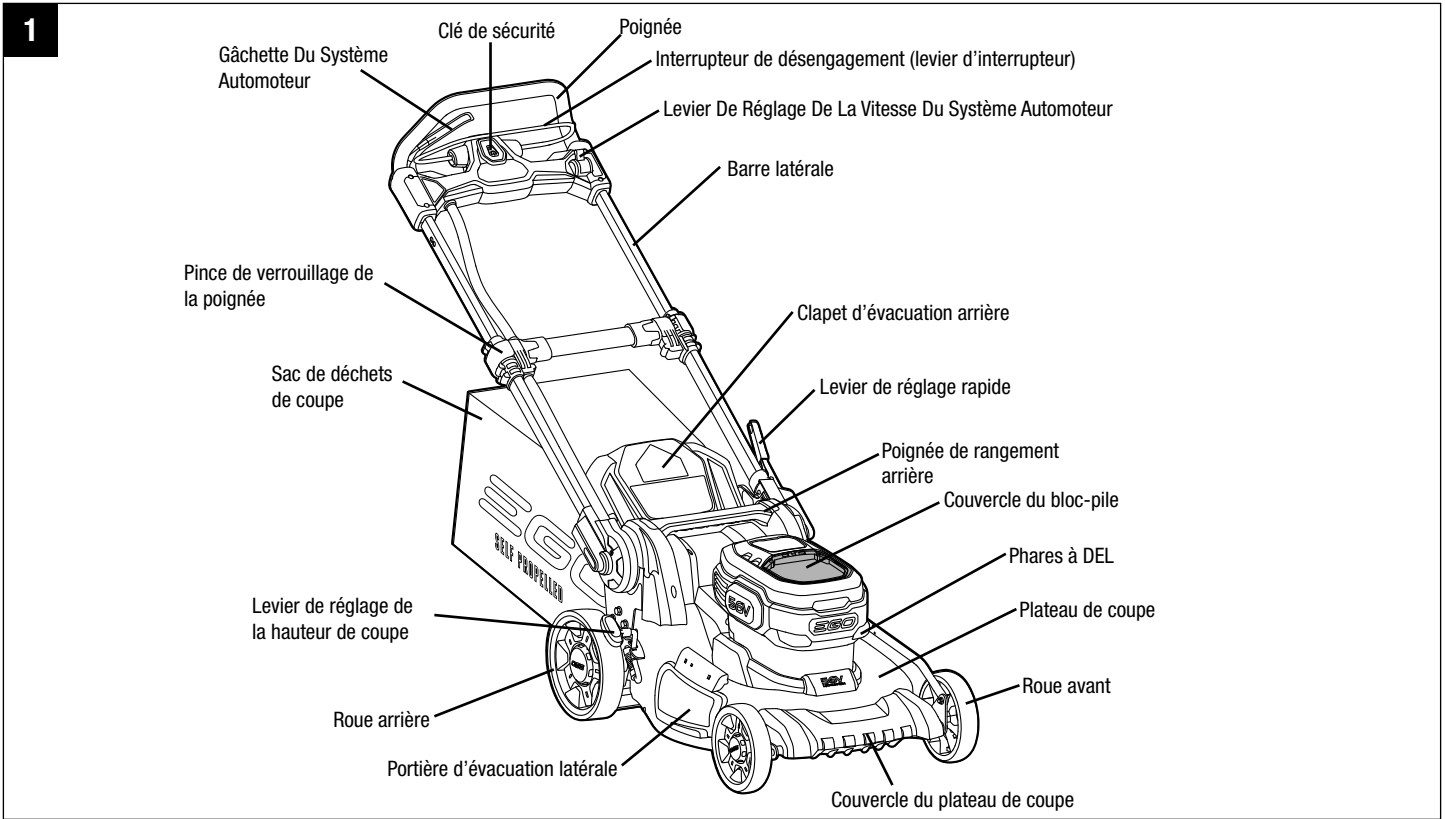
⚠ AVERTISSEMENT : Les pièces suivantes sont sujettes à l'usure dans des conditions d'utilisation normale. Utilisez seulement les pièces de rechange identiques énumérées ci-dessous. L'utilisation de pièces qui ne respectent pas les caractéristiques de l'équipement d'origine peut entraîner un mauvais rendement et compromettre la sécurité de l'appareil.

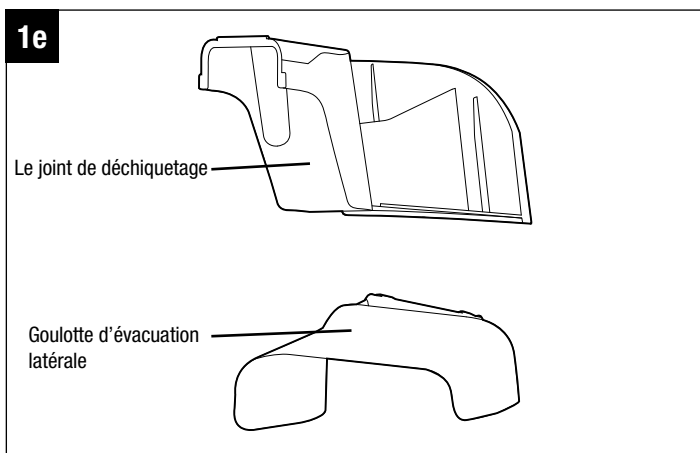
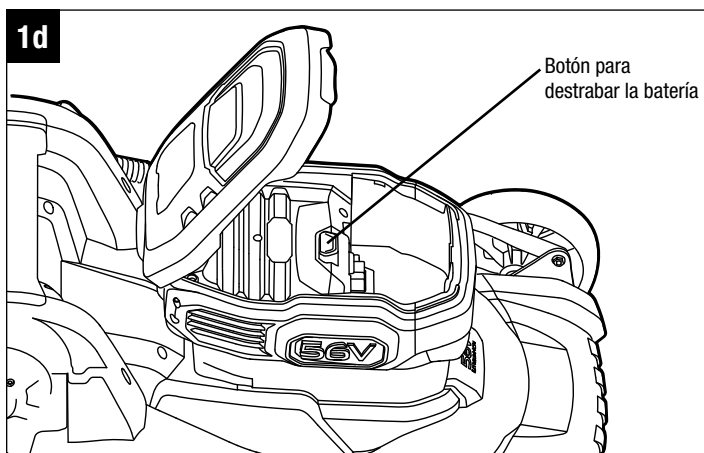
| NOM DE LA PIÈCE | NUMÉRO DE MODÈLE |
|-----------------|------------------|
| Lame | AB2000 |

LISTE DE COLISAGE

| NOM DE LA PIÈCE | QUANTITÉ |
|--|----------|
| Tondeuse | 1 |
| Sac de déchets de coupe | 1 |
| Cadre du sac de déchets de coupe | 1 |
| Raccord pour déchiquetage(pré-installé dans la tondeuse) | 1 |
| Sortie d'évacuation latérale | 1 |
| Guide d'utilisation | 1 |

DESCRIPTION





⚠ AVERTISSEMENT : L'utilisation de cet appareil en toute sécurité exige la compréhension des renseignements le concernant contenus dans ce guide d'utilisation, ainsi que la connaissance du projet que vous entreprenez. Avant d'utiliser ce produit, familiarisez-vous avec toutes les caractéristiques de fonctionnement et les règles de sécurité.

BOUTON DE SÉCURITÉ

Le bouton de sécurité doit être enclenché avant que le moteur puisse démarrer.

INTERRUPTEUR DE DÉSENGAGEMENT

L'interrupteur de désengagement est situé sur la poignée supérieure de la tondeuse. Cet interrupteur active et désactive le moteur et la lame.

GÂCHETTE DU SYSTÈME AUTOMOTEUR (modèle LM2020SP uniquement)

Permet d'allumer ou d'éteindre la fonction automotrice.

LEVIER DE RÉGLAGE DE LA VITESSE DU SYSTÈME AUTOMOTEUR (modèle LM2020SP uniquement)

Le déplacement du levier de réglage permet d'augmenter ou de diminuer la vitesse du système automoteur

⚠ AVERTISSEMENT : L'interrupteur de désengagement et la clé sont des dispositifs de sécurité. Ne tentez jamais de contourner leur fonctionnement.

FREIN ÉLECTRIQUE

Arrête rapidement la rotation de la lame lorsque l'interrupteur de désengagement est relâché.

PINCE DE VERROUILLAGE DE LA POIGNÉE

Verrouille et déverrouille les barres latérales en position déployée ou abaissée.

BARRES LATÉRALES

Peuvent être déployées et verrouillées pour utiliser l'appareil ou abaissées pour le remiser.

LEVIER DE RÉGLAGE RAPIDE

Verrouille et déverrouille la poignée de la tondeuse pour en régler l'angle :

1. Position verrouillée pour le remisage
2. Position de fixation ou de retrait du sac de déchets de coupe
3. Position d'utilisation supérieure
4. Position d'utilisation intermédiaire
5. Position d'utilisation inférieure

ÉCRAN POSTÉRIEUR ET CLAPET D'ÉVACUATION ARRIÈRE

Le bouclier et la portière d'évacuation réduisent le risque de contact accidentel entre les pieds et la lame. Ne faites PAS fonctionner la tondeuse si l'écran de protection et la portière d'évacuation arrière ne sont pas en place.

PHARES À DEL

Les phares à DEL sont situés à l'avant de la tondeuse. Ils offrent un éclairage supplémentaire pour améliorer la visibilité.

LEVIER À RESSORT POUR RÉGLER LA HAUTEUR DE COUPE

Réglage de la hauteur de coupe d'une seule main

ASSEMBLAGE

⚠ AVERTISSEMENT : Pour empêcher une mise en marche accidentelle pouvant provoquer des blessures graves, retirez toujours la clé de sécurité et le bloc-pile de l'appareil avant d'assembler des pièces.

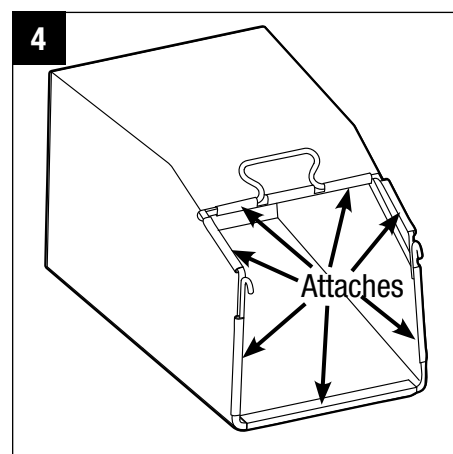
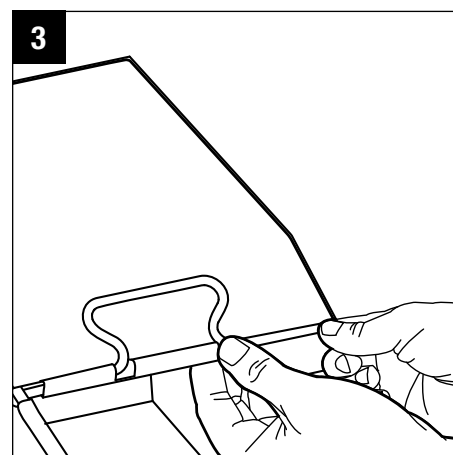
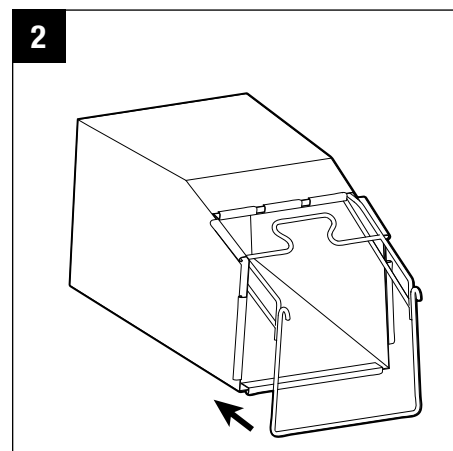
⚠ AVERTISSEMENT : Ne tentez pas de modifier cet appareil ou de créer des accessoires qui ne sont pas recommandés pour cette tondeuse. Toute altération ou modification de ce type constitue un usage inapproprié et peut engendrer une situation dangereuse susceptible de causer des blessures graves.

DÉBALLAGE

- Retirez d'abord tous les accessoires de la boîte, puis saisissez la partie avant du couvercle et la poignée arrière en même temps pour soulever doucement la tondeuse et la retirer de la boîte.
- Inspectez l'appareil soigneusement pour vérifier qu'aucun bris ou dommage ne s'est produit au cours de l'expédition.
- Ne jetez pas le matériel d'emballage avant d'avoir inspecté soigneusement la tondeuse et de l'avoir fait fonctionner de manière satisfaisante.
- S'il y a des pièces manquantes ou endommagées, veuillez retourner la tondeuse à l'endroit où vous l'avez achetée.

ASSEMBLAGE DU SAC DE DÉCHETS DE COUPE

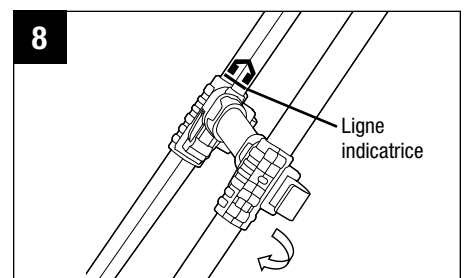
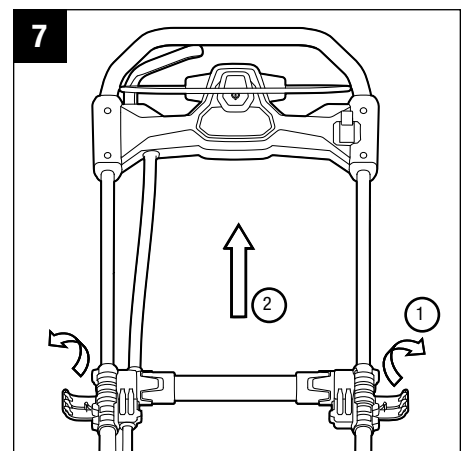
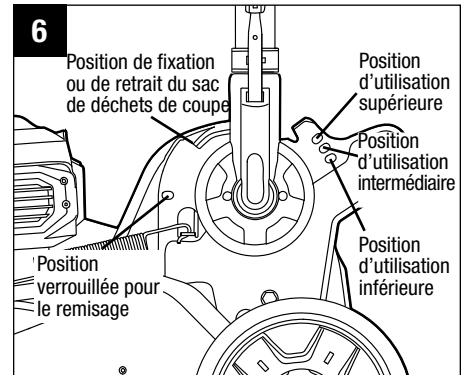
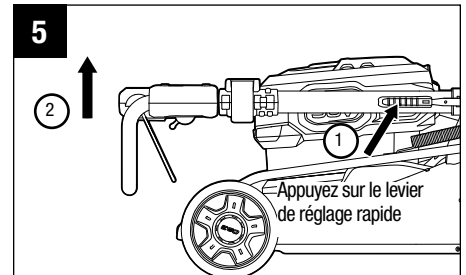
1. Vérifiez le sac de déchets de coupe avant de l'assembler pour vous assurer qu'il n'est pas endommagé.
2. Glissez le sac de déchets de coupe sur le cadre, tel qu'illustré dans la figure 2.
3. Fixez les attaches supérieures sur le cadre, tel qu'illustré dans la figure 3, puis fixez les deux attaches latérales. Fixez ensuite l'attache inférieure.
4. La figure 4 illustre le sac de déchets de coupe complètement assemblé.



RÉGLAGE DE LA POIGNÉE PLIABLE

⚠ AVERTISSEMENT : Ne tentez pas de démarrer la tondeuse tant que la poignée n'a pas été verrouillée dans l'une des trois positions d'utilisation pré-réglées.

1. **POSITION VERROUILLÉE POUR LE REMISAGE :** Au moment de l'expédition, la poignée de la tondeuse est en position compacte, verrouillée (Fig. 5).
2. **POSITION DE FIXATION OU DE RETRAIT DU SAC DE DÉCHETS DE COUPE :** Maintenez enfoncé le levier de réglage rapide avec votre main droite pour dégager la poignée de la position verrouillée pour le remisage. Commencez à soulever la poignée de sa position pliée avec votre main gauche, puis relâchez le levier (Fig. 5). Faites pivoter la poignée doucement vers le haut jusqu'à ce que vous sentiez que l'ergot d'arrêt s'engage en première position et que vous l'entendiez (Fig. 6). Cette position permet un accès facile pour installer et retirer le sac de déchets de coupe.
3. **POSITION D'UTILISATION SUPÉRIEURE :** Soulevez la poignée avec votre main gauche. Faites pivoter la poignée doucement vers l'arrière jusqu'à ce que vous sentiez que l'ergot d'arrêt s'engage en position d'utilisation supérieure et que vous l'entendiez. Allongez complètement les barres latérales et fermez bien les deux pinces de verrouillage de la poignée (Fig. 7 et 8). Cette position pourrait mieux convenir aux utilisateurs de taille plus grande.
4. **POSITION D'UTILISATION MOYENNE :** Appuyez et maintenez le levier de réglage rapide avec votre main gauche pour libérer la poignée de la position de fonctionnement supérieure. Commencez à abaisser la poignée avec votre main droite, puis relâchez le levier. Faites pivoter doucement la poignée vers le bas jusqu'à ce que vous entendiez et que la goupille de verrouillage s'engage dans la position de fonctionnement moyenne. Ouvrez complètement les rails latéraux et fermez fermement les deux colliers de serrage (Fig. 7 et 8).
5. **POSITION D'UTILISATION INFÉRIEURE :** Maintenez enfoncé le levier de réglage rapide avec votre main gauche pour dégager la poignée de la position d'utilisation supérieure. Commencez à abaisser la poignée avec votre main droite, puis relâchez le levier. Faites pivoter la poignée doucement vers le bas jusqu'à ce que vous sentiez que l'ergot d'arrêt s'engage en position d'utilisation inférieure et que vous l'entendiez. Allongez complètement les barres latérales et fermez bien les deux pinces de verrouillage de la poignée (Fig. 7 et 8).



REMARQUE : Le moteur ne peut pas être mis en marche si :

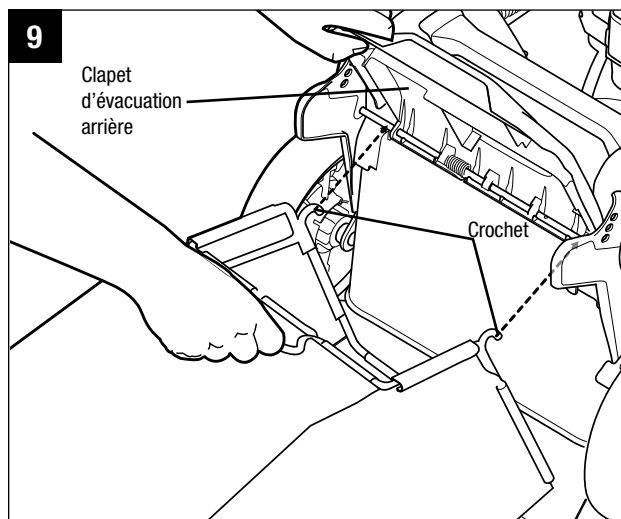
- a) les barres latérales ne sont pas complètement allongées;
- b) les deux pinces vertes de verrouillage de la poignée ne sont pas bien fermées;
- c) la poignée n'est pas verrouillée dans l'une des trois positions d'utilisation.

FIXATION ET RETRAIT DU SAC DE DÉCHETS DE COUPE

⚠ AVERTISSEMENT : N'effectuez jamais de réglages de la tondeuse sans arrêter au préalable le moteur et sans enlever la clé de sécurité.

AVIS : Retirez le joint de déchetage avant de fixer le sac à gazon à la tondeuse.

1. Retirez la batterie.
2. Réglez la poignée à la position de fixation ou de retrait du sac de déchets de coupe (consultez la section RÉGLAGE DE LA POIGNÉE PLIABLE).
3. Soulevez le clapet d'évacuation arrière.
4. Accrochez l'ensemble de sac de déchets de coupe à la barre du pivot (Fig. 9). Relâchez le clapet d'évacuation afin qu'il repose sur le sac de déchets de coupe.
5. Pour retirer le sac de déchets de coupe, soulevez le clapet d'évacuation arrière sur la tondeuse. Soulevez le sac de déchets de coupe pour le détacher de la barre du pivot.
6. Relâchez le clapet d'évacuation.



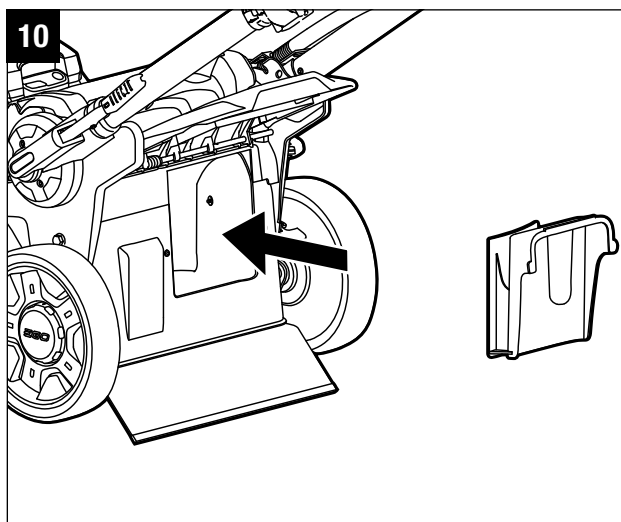
⚠ AVERTISSEMENT : Lorsque vous utilisez le sac de déchets de coupe, ne faites jamais fonctionner la tondeuse si les crochets du sac ne sont pas solidement fixés à la barre de pivot et que le clapet d'évacuation arrière ne repose pas fermement sur le dessus du sac de déchets de coupe.

⚠ AVERTISSEMENT : Dans le cadre d'une utilisation normale, le matériau du sac peut s'user. Pour réduire le risque de blessure, vérifiez fréquemment l'ensemble de sac et remplacez-le s'il présente des signes d'usure ou de détérioration. Utilisez seulement des sacs de déchets de coupe fabriqués pour cette tondeuse.

FIXATION ET RETRAIT DU RACCORD POUR DÉCHIQUETAGE

⚠ AVERTISSEMENT : N'effectuez jamais de réglages de la tondeuse sans arrêter au préalable le moteur et sans enlever la clé de sécurité.

1. Retirez la batterie.
2. Soulevez le clapet d'évacuation arrière.
3. Saisissez la poignée du raccord pour déchetage et insérez-le complètement dans la tondeuse afin de le fixer solidement (Fig. 10).
4. Pour enlever le raccord pour déchetage, soulevez le clapet d'évacuation arrière, saisissez la poignée du raccord pour déchetage et tirez-la vers l'extérieur.
5. Relâchez le clapet d'évacuation et assurez-vous qu'il repose fermement sur le raccord pour déchetage.



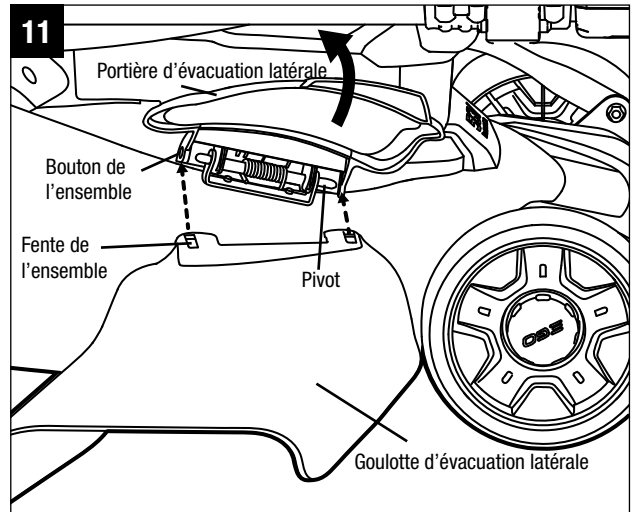
AVIS : Vous devez enlever le raccord pour déchetage avant d'installer et d'utiliser le sac de déchets de coupe, puis vous devez le remettre en place lorsque vous enlevez le sac.

FIXATION ET RETRAIT DE LA SORTIE D'ÉVACUATION LATÉRALE (Fig.11)

⚠ AVERTISSEMENT : N'effectuez jamais de réglages de la tondeuse sans arrêter au préalable le moteur et sans enlever la clé de sécurité.

Pour fixer la goulotte

1. Retirez la pile.
2. Soulevez la portière d'évacuation latérale.
3. Alignez la fente de la goulotte d'évacuation latérale sur le bouton situé sur la portière d'évacuation latérale.
4. Relâchez doucement la portière d'évacuation latérale pour lui permettre de tourner autour du pivot jusqu'à ce qu'elle soit bien appuyée sur la goulotte d'évacuation latérale.



REMARQUE : Le joint de déchetage doit être posé lorsque la goulotte d'évacuation latérale est fixée.

Pour retirer la goulotte

1. Saisissez d'une main la goulotte d'évacuation latérale et utilisez l'autre main pour soulever la portière d'évacuation latérale.
2. Retirez la goulotte et refermez la portière d'évacuation latérale jusqu'à ce qu'elle soit bien appuyée sur le couvercle de la tondeuse.

FONCTIONNEMENT

⚠ AVERTISSEMENT : Même si vous connaissez parfaitement la tondeuse, soyez vigilant. N'oubliez pas, il suffit d'être négligent une fraction de seconde pour se blesser gravement.

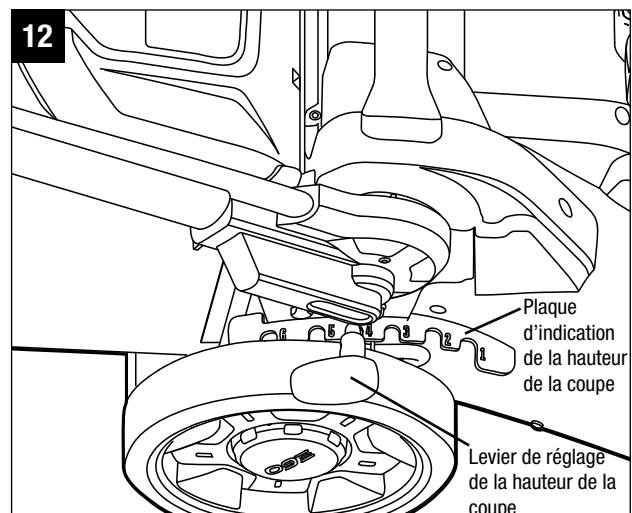
⚠ AVERTISSEMENT : Portez toujours des lunettes de sécurité conformes à la norme ANSI Z87.1. Sinon, vous pourriez recevoir des débris dans les yeux et vous blesser gravement.

⚠ AVERTISSEMENT : N'utilisez pas de pièces ni d'accessoires qui ne sont pas recommandés par le fabricant de ce produit. L'utilisation de pièces ou d'accessoires non recommandés peut causer des blessures graves.

RÉGLAGE DE LA HAUTEUR DE LA COUPE (Fig. 12)

⚠ AVERTISSEMENT : N'effectuez jamais de réglages de la tondeuse sans arrêter au préalable le moteur et sans enlever la clé de sécurité.

⚠ AVERTISSEMENT : Tenez les pieds loin du plateau de coupe lorsque vous en réglez la hauteur.



La tondeuse peut être réglée à six hauteurs de coupe différentes, variant de 30 mm (1 3/16 po) à 100 mm (4 po). Choisissez la hauteur de coupe appropriée en fonction du type et de l'état du gazon.

1. Maintenez le tube de poignée droit d'une main pour le stabiliser et, de l'autre main, déplacez le levier de réglage de la hauteur de la coupe en le tirant de manière à le dégager des fentes de la plaque d'indication de la hauteur de la coupe.
2. Déplacez le levier de réglage de la hauteur de la coupe vers l'arrière de la tondeuse si vous désirez augmenter la hauteur de la coupe; déplacez le levier vers l'avant de la tondeuse si vous souhaitez diminuer la hauteur de la coupe.
3. Une fois vis-à-vis la position de la hauteur de la coupe désirée, enclenchez le levier de réglage de la hauteur de la coupe dans la fente appropriée.

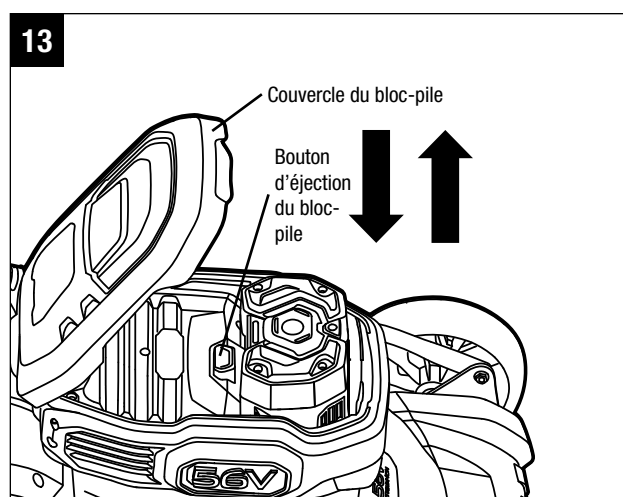
FIXATION ET RETRAIT DU BLOC-PILE (Fig. 13)

CHARGEZ LE BLOC-PILE AVANT LE PREMIER EMPLOI.

⚠ AVERTISSEMENT : S'il y a des pièces manquantes ou endommagées, ne tentez pas d'installer le bloc-pile sur la tondeuse ou de faire fonctionner celle-ci tant que les pièces manquantes ou endommagées n'ont pas été remplacées. Cela pourrait provoquer des blessures graves.

1. Le couvercle du bloc-pile est muni de charnières. Soulevez l'avant du couvercle du bloc-pile pour l'ouvrir.
2. Alignez les nervures en saillie de la tondeuse sur les rainures du bloc-pile, puis insérez le bloc-pile dans le compartiment.
3. Poussez sur le bloc-pile jusqu'à ce que vous entendiez un « clic ». Le bouton d'éjection du bloc-pile se relèvera lorsque le bloc-pile est solidement fixé.
4. Pour retirer le bloc-pile, abaissez le bouton d'éjection du bloc-pile pour dégager le bloc-pile, puis retirez-le du compartiment en le soulevant.
5. Fermez le couvercle du bloc-pile.

AVIS : Avant d'utiliser l'appareil, assurez-vous que le verrou de la tondeuse se loge en place et que le bloc-pile est bien fixé.



MISE EN MARCHÉ ET ARRÊT DE LA TONDEUSE

(Fig. 14, 15 et 16)

⚠ AVERTISSEMENT : L'utilisation de toute tondeuse peut provoquer la projection de corps étrangers dans les yeux et ainsi entraîner des lésions oculaires graves. Portez toujours des lunettes de sécurité lorsque vous utilisez la tondeuse, ainsi que lors d'un réglage ou d'une réparation.

⚠ AVERTISSEMENT : Veillez à ce que les autres personnes et les animaux restent à au moins 30 m (100 pi) de la tondeuse lorsqu'elle est en marche.

⚠ AVERTISSEMENT : La lame continuera à tourner pendant quelques secondes après l'arrêt de la tondeuse. Attendez que le moteur et la lame cessent de tourner avant de remettre la tondeuse en marche. Évitez d'arrêter et de redémarrer rapidement la tondeuse.

⚠ ATTENTION : Ne tentez pas d'interrompre le fonctionnement de la clé de sécurité et de l'interrupteur de désengagement.

REMARQUE : Le moteur ne peut pas être mis en marche si :

- Les barres latérales ne sont pas complètement allongées;
- Les deux pinces vertes de verrouillage de la poignée ne sont pas bien fermées;
- La poignée est verrouillée dans l'une des trois positions d'utilisation.

Pour démarrer la tondeuse

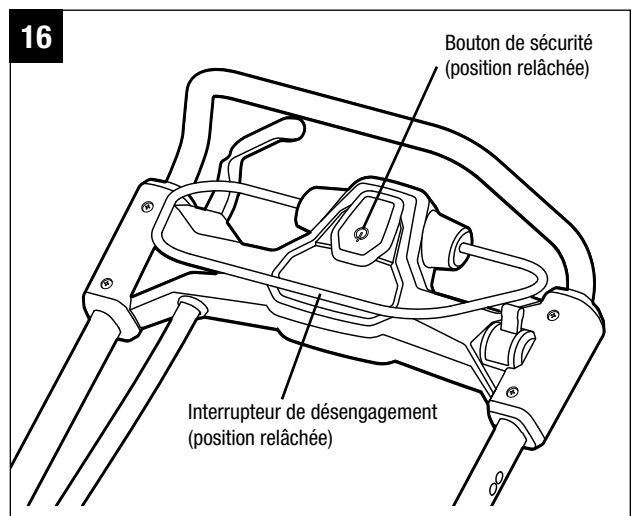
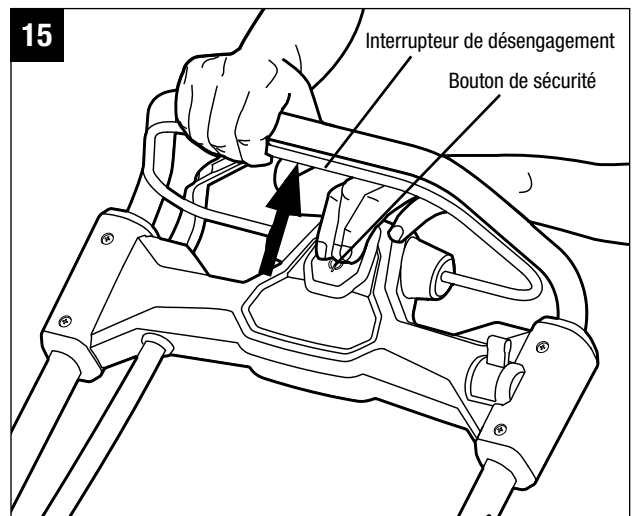
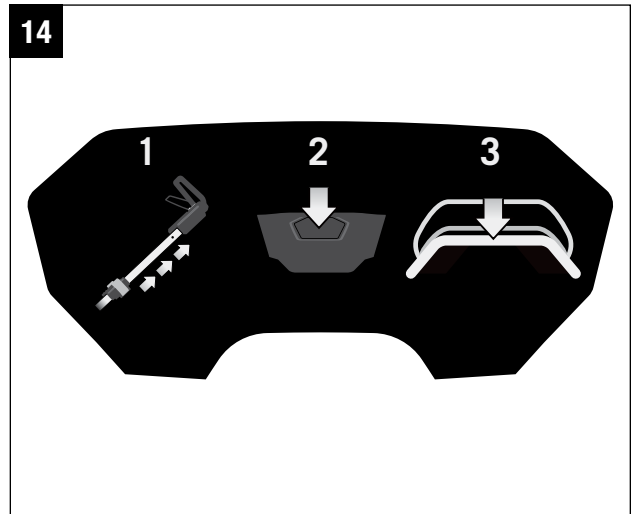
1. Installez le bloc-pile dans la tondeuse et fermez le couvercle du bloc-pile.

AVIS : Avant d'utiliser la tondeuse, assurez-vous que son verrou se loge en place et que le bloc-pile est bien fixé.

2. Appuyez sur le bouton de sécurité (Fig. 14 et 15).
3. Une fois la clé de sécurité en position abaissée, tirez l'interrupteur de désengagement vers le haut jusqu'à la poignée et relâchez la clé de sécurité.
4. La tondeuse démarrera.

Pour arrêter la tondeuse

1. Relâchez l'interrupteur de désengagement (Fig. 16).
2. Le frein électrique du mécanisme de freinage automatique arrêtera la rotation de la lame dans les trois secondes suivant le relâchement de l'interrupteur de désengagement.

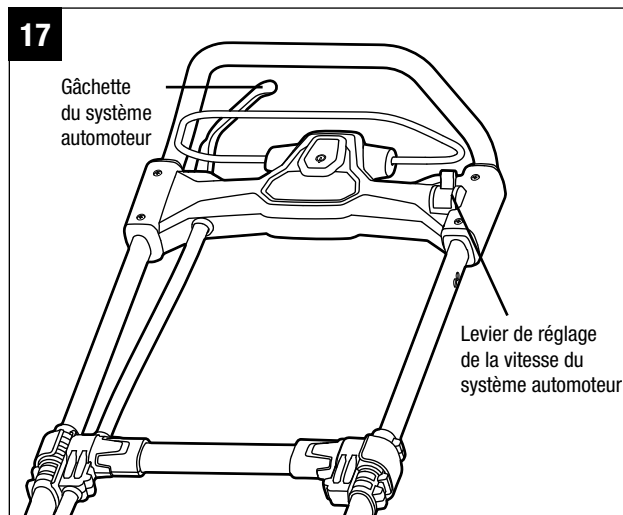


SYSTÈME AUTOMOTEUR À VITESSE VARIABLE (uniquement sur la LM2020SP)

La tondeuse LM2020SP est équipée d'un système automoteur à vitesse variable. Ce système est indépendant de l'interrupteur marche/arrêt qui commande la lame et de la rotation de celle-ci. Par exemple, lorsque vous avez terminé de tondre votre gazon, vous pouvez utiliser le système automoteur pour ramener la tondeuse jusqu'à son emplacement de remisage sans faire tourner la lame. Ou bien vous pouvez choisir d'utiliser la tondeuse sans le système automoteur afin de maximiser la durée de fonctionnement de la batterie.

Pour faire fonctionner le système automoteur sans faire tourner la lame, tirez la gâchette du système automoteur vers la poignée.

Pour éteindre le système automoteur, relâchez la gâchette du système automoteur (Fig. 17). Il s'agit d'un système à vitesse variable. Pour augmenter la vitesse, poussez le levier de réglage de la vitesse du système automoteur. Pour diminuer la vitesse, tirez le levier de réglage de la vitesse du système automoteur.



Pour mettre la lame tournante en marche pour la coupe :

1. Appuyez sur le bouton de sécurité.
2. Une fois le bouton de sécurité en position abaissée, tirez l'interrupteur de désengagement vers le haut, jusqu'à la poignée, et relâchez le bouton de sécurité.
3. Tenez l'interrupteur de désengagement contre la poignée avec votre main gauche. Tirez la gâchette du système automoteur vers la poignée avec votre main droite.
4. Avec votre main droite, maintenez l'interrupteur de désengagement et la gâchette du système automoteur en même temps contre la poignée, puis utilisez votre main gauche pour choisir la vitesse désirée à l'aide du levier de réglage de la vitesse du système automoteur.

AVIS : Lorsque vous éteignez le système automoteur, par exemple à la fin d'une rangée, il peut se verrouiller temporairement si vous tirez la tondeuse en arrière. Faites-la simplement avancer légèrement, puis utilisez-la normalement.

AVIS : Pendant la coupe, il se peut qu'il soit parfois plus facile de tondre autour d'un obstacle avec le système automoteur éteint.

⚠ AVERTISSEMENT : Pour réduire les risques de blessure, ne tentez jamais d'interrompre le fonctionnement de l'interrupteur ou du système automoteur. Utilisez le système automoteur uniquement pour l'usage auquel il est destiné.

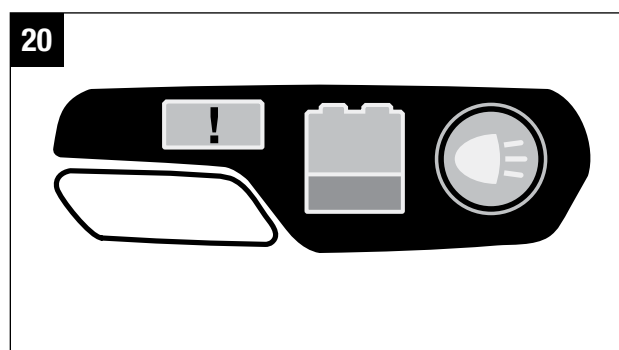
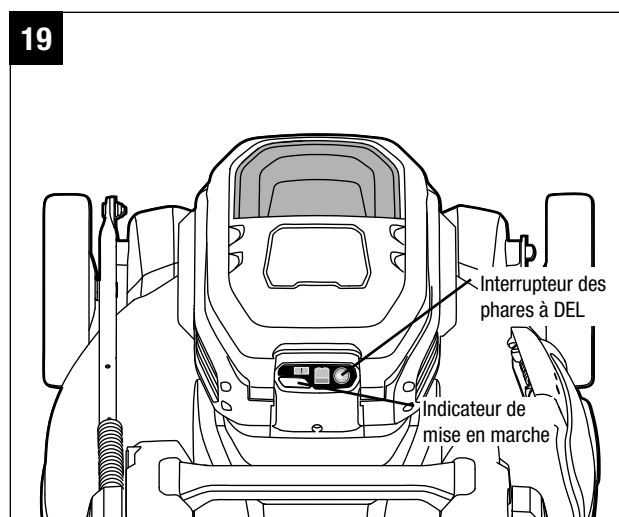
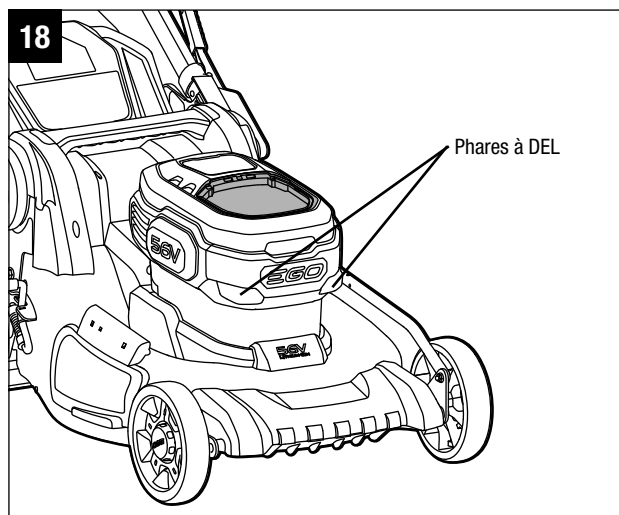
PHARES À DEL (Fig. 18)

Les phares à DEL sont situés à l'avant du compartiment du bloc-pile. Appuyez sur l'interrupteur pour allumer les phares (Fig. 18). Les phares fournissent un éclairage brillant à l'avant de la tondeuse. Appuyez de nouveau sur l'interrupteur pour éteindre les phares.

INDICATEUR DE MISE EN MARCHÉ DE LA TONDEUSE (Fig. 19 et 20)

La tondeuse est munie d'un indicateur de mise en marche qui indique la capacité de charge du bloc-pile et l'état de fonctionnement de la tondeuse. L'indicateur de mise en marche s'allume lorsque la lame tourne ou lorsque les phares à DEL sont allumés.

- La lumière verte indique que la capacité de charge du bloc-pile est supérieure à 15 %.
- La lumière rouge indique que la tension du bloc-pile est basse.
- La lumière rouge clignotante indique que le bloc-pile est presque déchargé et qu'il est nécessaire de le charger immédiatement.



| Indicateur de mise en marche | Signification | Mesure à prendre |
|-------------------------------------|--|---|
| Émet une lumière verte en continu | La tondeuse fonctionne correctement; il reste au moins 15 % de la capacité de charge du bloc-pile. | s.o. |
| Émet une lumière rouge en continu | Le bloc-pile est faible. | Arrêtez la tondeuse et chargez le bloc-pile. |
| Émet une lumière rouge clignotante | Le bloc-pile est presque déchargé. | Arrêtez la tondeuse et chargez le bloc-pile. |
| Émet une lumière orange en continu | La tondeuse s'arrête, car la batterie est en surchauffe ou la tondeuse est en surchauffe. | Retirez le bloc-pile de la tondeuse, déplacez-le à l'ombre et laissez-le refroidir pendant au moins 15 minutes. |
| Émet une lumière orange clignotante | La tondeuse est surchargée. | Ralentissez le rythme ou augmentez la hauteur de coupe pour diminuer la charge. |

PROTECTION DE LA TONDEUSE CONTRE LES SURCHARGES

Pour prévenir les dommages causés par une surcharge, n'essayez pas de couper trop de gazon à la fois. Ralentissez le rythme ou augmentez la hauteur de coupe.

Votre tondeuse est munie d'une protection intégrée contre les surcharges. Lorsque la tondeuse est surchargée, le moteur s'arrête et l'indicateur de mise en marche émet une lumière orange clignotante. Retirez le bloc-pile de la tondeuse. Vérifiez si de l'herbe s'est accumulée derrière le plateau de coupe et enlevez-la si nécessaire, puis installez la batterie et redémarrez la tondeuse.

PROTECTION CONTRE LA SURCHAUFFE DU BLOC-PILE

Le bloc-pile génère de la chaleur lorsque la tondeuse est en marche. Lorsqu'il fait chaud, la chaleur se dissipe plus lentement. Si la température du bloc-pile dépasse 70 °C (158 °F), le circuit de protection éteint immédiatement la tondeuse pour éviter d'endommager le bloc-pile. L'indicateur de mise en marche de la tondeuse devient orange et la DEL de la batterie émet une lumière orange clignotante.

Relâchez la poignée de désengagement, attendez que le bloc-pile ait refroidi jusqu'à une température d'environ 67 °C (152 °F), puis redémarrez la tondeuse.

CONSEILS DE TONTE

AVIS : Une lame bien affûtée améliore considérablement le rendement de la tondeuse, en particulier si vous coupez de l'herbe haute. Assurez-vous de vérifier le tranchant de la lame avant de commencer à tondre.

- Assurez-vous qu'il n'y a pas de pierres, de brindilles, de fils et d'autres objets qui pourraient endommager la tondeuse ou le moteur. De tels objets pourraient être accidentellement projetés par la tondeuse dans toutes les directions et entraîner des blessures graves pour l'utilisateur ou d'autres personnes.

⚠ AVERTISSEMENT : Si vous heurtez un objet quelconque, arrêtez le moteur, enlevez la clé de sécurité et retirez le bloc-pile. Vérifiez soigneusement que la tondeuse n'est pas endommagée et réparez les dommages éventuels avant de la remettre en marche et de l'utiliser. Toute vibration excessive de la tondeuse durant son utilisation est une indication de dommage. Vous devriez alors vérifier et réparer rapidement l'appareil.

- Pour de meilleurs résultats, ne tondez pas le gazon en cercles. Déplacez-vous plutôt d'avant en arrière sur la pelouse.
- Lorsque vous coupez de l'herbe épaisse, réduisez votre vitesse de marche afin d'obtenir une coupe plus efficace et une élimination adéquate des débris.
- Pour une pelouse en santé, coupez au maximum le tiers de la longueur totale de l'herbe. Le gazon devrait avoir une longueur moyenne de 3,8 à 5 cm (1,5 à 2 po) durant les mois plus frais, et de 5 à 8,2 cm (2 à 3,25 po) durant les mois plus chauds. Si le gazon continue à pousser à l'automne, il doit être tondu.

INCLINOMÈTRE (Fig. 21)

⚠ AVERTISSEMENT : N'utilisez pas la tondeuse dans une pente inclinée à plus de 15°, ce qui correspond à un dénivelé d'environ 0,75 m (2,5 pi) tous les 3 m (10 pi). Travaillez parallèlement à la pente, jamais perpendiculairement.

Utilisez la Fig. 21 pour vous aider à déterminer s'il est possible de tondre en toute sécurité sur une pente.

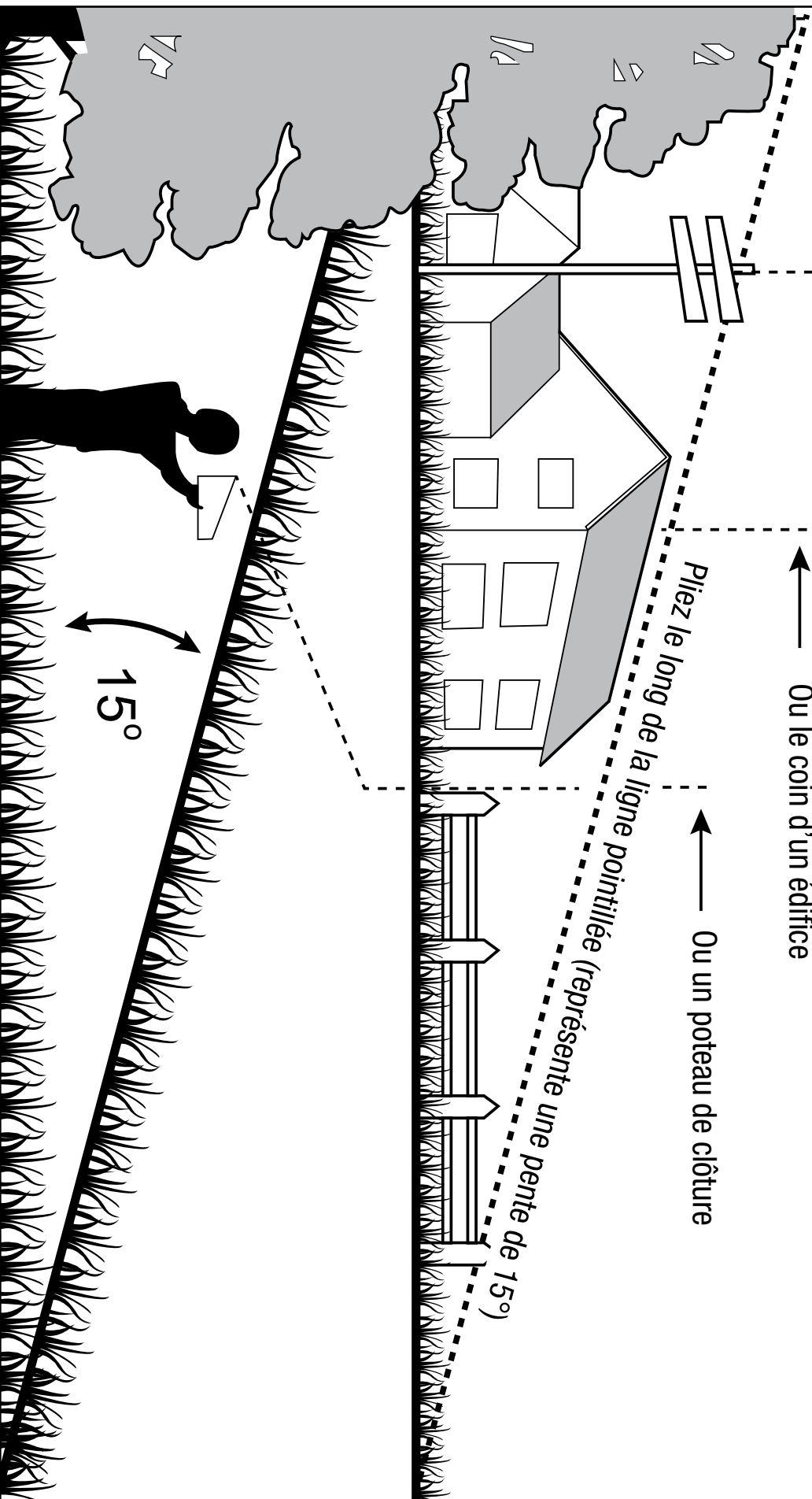
— Repérez un arbre vertical et placez la ligne au niveau de celui-ci

— Repérez un poteau et placez la ligne au niveau de celui-ci

— Ou le coin d'un édifice

— Ou un poteau de clôture

Piez le long de la ligne pointillée (représente une pente de 15°)



CONSEILS DE DÉCHIQUETAGE

⚠ AVERTISSEMENT : Inspectez soigneusement l'endroit où vous souhaitez utiliser la tondeuse et enlevez toutes les pierres, les brindilles, les fils et les autres débris qui pourraient être projetés par la lame rotative.

- Relâchez l'interrupteur pour éteindre la tondeuse lorsque vous traversez une zone couverte de gravier; les pierres pourraient être projetées par la lame rotative.
- Réglez la tondeuse à la hauteur de coupe la plus élevée lorsque vous l'utilisez sur un terrain inégal ou dans des herbes hautes.
- Pour un déchiquetage efficace, ne coupez pas d'herbe mouillée. Elle a tendance à coller sous le plateau, empêchant ainsi un déchiquetage adéquat des débris de gazon. La fin de l'après-midi est le meilleur moment pour tondre le gazon. Il est en effet sec et la zone nouvellement tondue n'est pas exposée aux rayons directs du soleil.
- Pour un meilleur rendement de la déchiqueteuse, réglez la hauteur de coupe de façon à éliminer environ un tiers de la longueur des brins d'herbe, en coupant un maximum de 3,81 cm à la fois. Si l'herbe est excessivement longue, vous devrez peut-être augmenter la hauteur de coupe pour faciliter la tonte et éviter de surcharger le moteur. Ralentissez le rythme de coupe si l'herbe est longue ou épaisse. Pour déchiqueter de l'herbe extrêmement épaisse ou longue, il est conseillé de la couper d'abord avec la lame en position élevée, puis de la recouper à la longueur souhaitée. Vous pouvez également tondre plus lentement, sur des surfaces plus étroites. ASSUREZ-VOUS TOUJOURS QUE LA LAME EST BIEN AFFÛTÉE.

ENTRETIEN

⚠ AVERTISSEMENT : Pour éviter des blessures graves, retirez toujours la clé de sécurité et le bloc-pile de la tondeuse avant de procéder au nettoyage ou à l'entretien.

⚠ AVERTISSEMENT : Lorsque vous procédez à l'entretien de la tondeuse, utilisez uniquement des pièces de rechange identiques à celles d'origine. L'utilisation de toute autre pièce peut constituer un danger ou endommager le produit. Pour assurer la sécurité et la fiabilité de l'appareil, toutes les réparations doivent être effectuées par un technicien en entretien et en réparation qualifié.

NETTOYAGE DE LA TONDEUSE

⚠ AVERTISSEMENT : Afin de réduire les risques de décharge électrique, n'exposez pas la tondeuse à l'eau. Retirez toujours la clé de sécurité et le bloc-pile lorsque vous procédez à l'entretien de la tondeuse ou que vous la transportez.

Le dessous du plateau de coupe devrait être nettoyé après chaque usage pour éviter l'accumulation de brins d'herbe, de feuilles, de poussière et d'autres débris. Cette accumulation est indésirable, car elle favorise la rouille et la corrosion.

Éliminez l'accumulation de brins d'herbe et de feuilles sur le couvercle du moteur (LM 2020SP uniquement) ou autour de celui-ci (évitiez d'utiliser de l'eau). Utilisez un linge humide pour nettoyer la tondeuse.

RETRAIT DE LA LAME

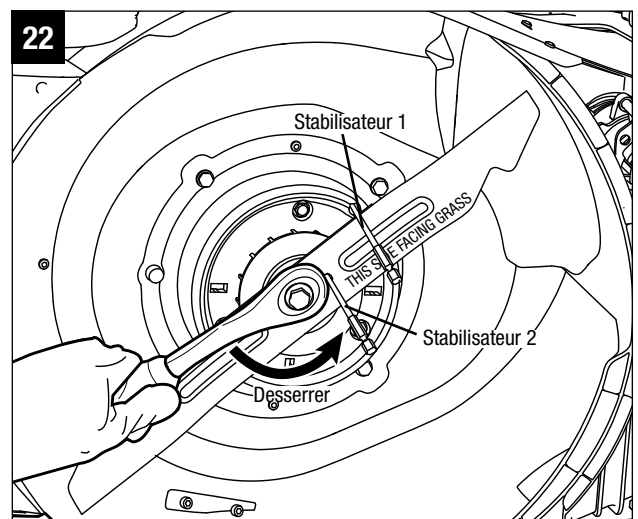
⚠ AVERTISSEMENT : Protégez-vous toujours les mains en portant des gants épais ou en recouvrant les bords coupants à l'aide de chiffons ou d'autres matériaux lorsque vous effectuez des opérations d'entretien de la lame de la tondeuse. Éliminez l'accumulation de brins d'herbe et de feuilles sur l'arbre d'entraînement (uniquement sur la LM2020SP) et le ventilateur du moteur, ou autour de ceux-ci (évitiez d'utiliser de l'eau). Utilisez un linge humide pour nettoyer la tondeuse.

AVIS : Vous aurez besoin des outils suivants pour remplacer la lame : clé de 14 mm (9/16 po), clé dynamométrique et deux tournevis manuels ou deux tiges de métal d'un diamètre maximal de 8 mm (5/16 po) et de 6,35 mm (1/4 po).

1. Arrêtez le moteur et retirez la clé de sécurité ainsi que le bloc-pile de la tondeuse.
2. Couchez la tondeuse sur son côté.
3. En portant des gants protecteurs, placez une tige en métal (par exemple, un tournevis manuel) d'un diamètre maximal de 8 mm (5/16 po) dans le trou de fixation pour stabiliser la lame.

AVIS : Si le boulon tourne avec l'axe du moteur lorsque vous le desserrez, tournez le ventilateur à la main de façon à aligner ses trous débouchants avec les trous de la lame, puis placez une autre tige de métal (par exemple, un embout de vissage de 88,9 mm [3,5 po] de long) d'un diamètre maximal de 6,35 mm (1/4 po) dans les trous alignés afin de le stabiliser (Fig. 22).

4. Utilisez une clé de 14 mm (9/16 po) pour faire tourner le boulon de la lame dans le sens contraire des aiguilles d'une montre afin de le desserrer.
5. Continuez à faire tourner le boulon de la lame dans le sens contraire des aiguilles d'une montre à l'aide de la clé de 14 mm (9/16 po) afin de le desserrer complètement.



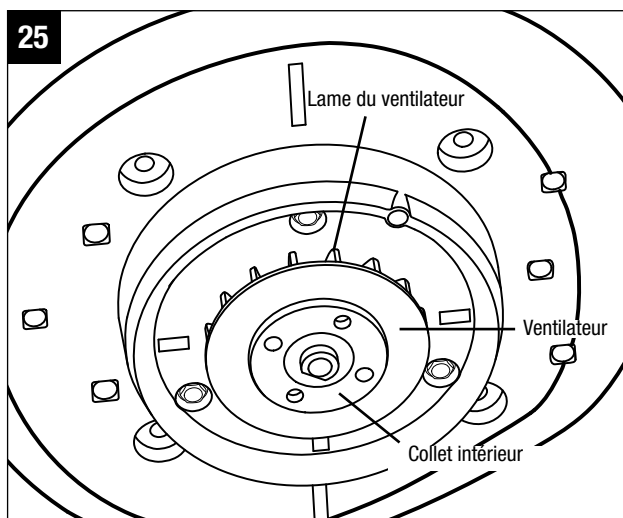
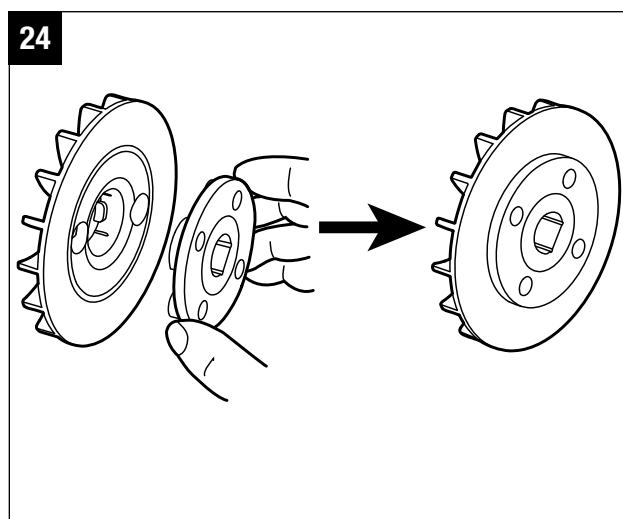
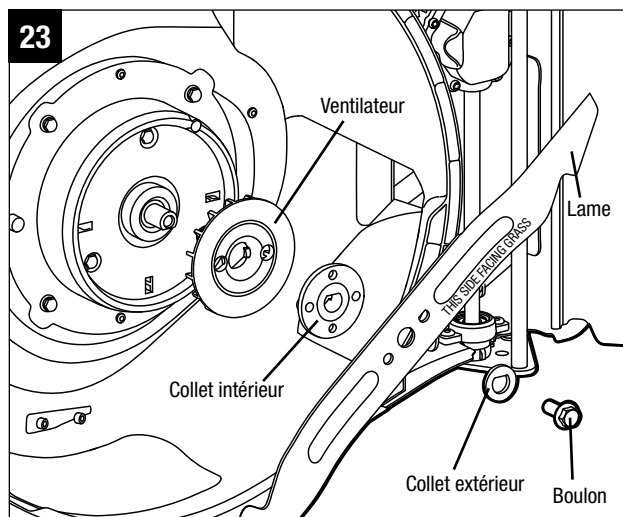
6. En portant des gants protecteurs, retirez le boulon, le collet extérieur et la lame (Fig. 23).

INSTALLATION DE LA LAME

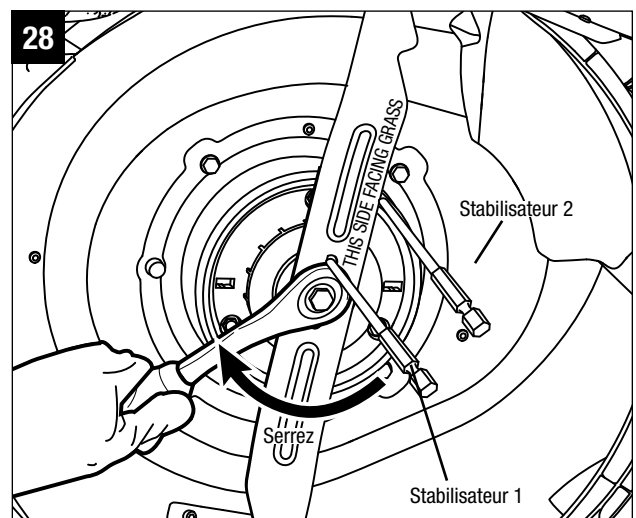
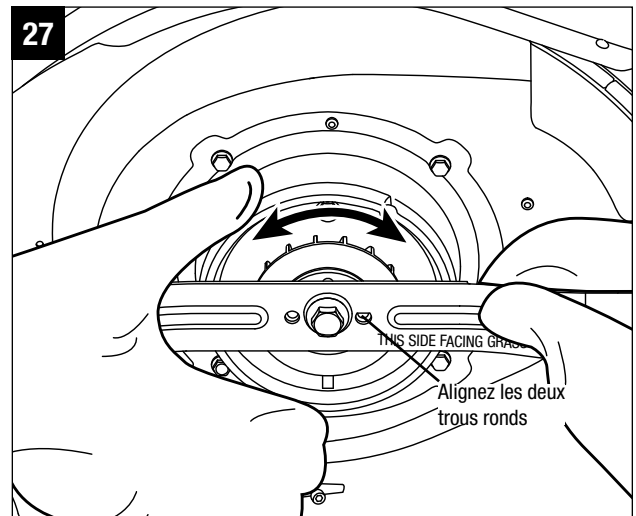
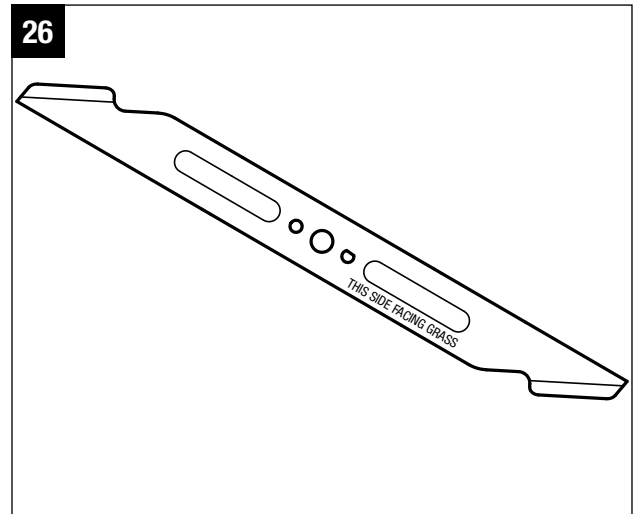
⚠ AVERTISSEMENT : Protégez-vous toujours les mains en portant des gants épais ou en recouvrant les bords coupants à l'aide de chiffons ou d'autres matériaux lorsque vous effectuez des opérations d'entretien de la lame de la tondeuse. Retirez toujours la clé de sécurité et le bloc-pile lorsque vous procédez à l'entretien de la tondeuse ou que vous la transportez.

AVIS : Pour réinstaller ou remplacer la lame, veillez à replacer les pièces dans l'ordre exact dans lequel vous les avez retirées (Fig. 23).

1. Montez le collet intérieur sur le ventilateur (Fig. 24).
2. Fixez le ventilateur et le collet intérieur à l'arbre moteur en vous assurant que la lame du ventilateur est orientée vers le plateau (Fig. 25).



3. Tout en portant des gants de protection, placez la lame sur la bride intérieure avec la surface indiquant «THIS SIDE FACING GRASS» orientée vers l'extérieur (Fig. 26).
4. Alignez le collet extérieur sur la tige et fixez-le en place.
5. Insérez le boulon dans la tige et tournez-le manuellement dans le sens des aiguilles d'une montre pour le serrer partiellement.
6. En portant toujours des gants de protection, tenez la lame d'une main et tournez le ventilateur de l'autre pour aligner les trous de la lame sur les trous débouchants du collet intérieur (Fig. 27).
7. Placez une tige en métal (par exemple, un embout de vissage de 88,9 mm [3,5 po] de long) d'un diamètre maximal de 6,35 mm (1/4 po) dans les trous alignés pour stabiliser la lame. Placez une autre tige en métal (par exemple, un embout de vissage de 88,9 mm [3,5 po] de long) d'un diamètre maximal de 8 mm (5/16 po) dans le trou de fixation pour stabiliser la lame (Fig. 28).
8. Utilisez une clé dynamométrique de 14 mm (9/16 po) (non incluse) pour faire tourner le boulon dans le sens des aiguilles d'une montre afin de le serrer. Le couple recommandé pour le boulon de la lame est de 49 à 59 N.m (36 à 43 lb-pi).



AFFÛTAGE DE LA LAME

⚠ AVERTISSEMENT : Protégez-vous toujours les mains en portant des gants épais ou en recouvrant les bords coupants à l'aide de chiffons ou d'autres matériaux lorsque vous effectuez des opérations d'entretien de la lame de la tondeuse. Retirez toujours la clé de sécurité et le bloc-pile lorsque vous procédez à l'entretien de la tondeuse ou que vous la transportez.

⚠ AVERTISSEMENT : Portez une protection oculaire appropriée lorsque vous retirez, affûtez et installez la lame.

⚠ AVERTISSEMENT : Une lame usée, fissurée ou endommagée peut se briser et des morceaux de celle-ci peuvent se transformer en projectiles dangereux. Les objets projetés peuvent provoquer des blessures graves. Vérifiez régulièrement la lame et n'utilisez pas la tondeuse si la lame est usée ou endommagée.

AVIS : Gardez la lame bien affûtée pour améliorer le rendement de la tondeuse. Une lame émoussée ne coupe pas l'herbe proprement et ne la déchiquette pas adéquatement.

Il est possible d'affûter une lame émoussée, mais une lame excessivement usée, tordue, fissurée ou endommagée doit être remplacée. Une lame usée ou endommagée peut se briser et des morceaux de celle-ci peuvent être éjectés de la tondeuse.

Si la lame est tordue, apportez la tondeuse à un centre de service EGO autorisé, qui en fera l'inspection.

FRÉQUENCE D'AFFÛTAGE

Dans des circonstances normales, il est généralement suffisant d'affûter la lame deux fois par saison. Le sable peut émousser rapidement la lame; si votre sol est sablonneux, un affûtage plus fréquent pourrait être nécessaire.

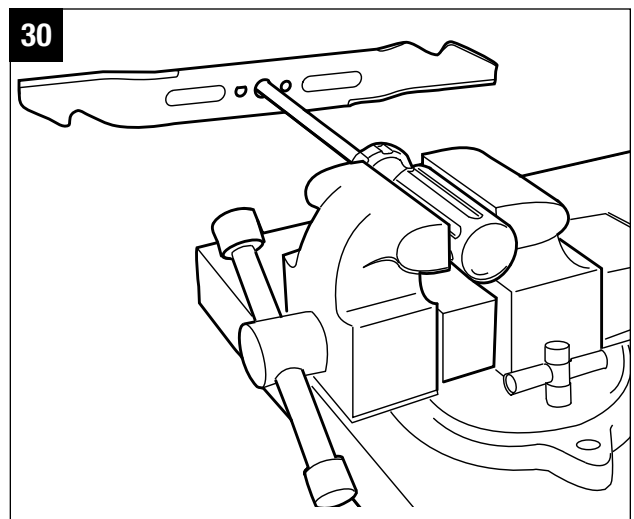
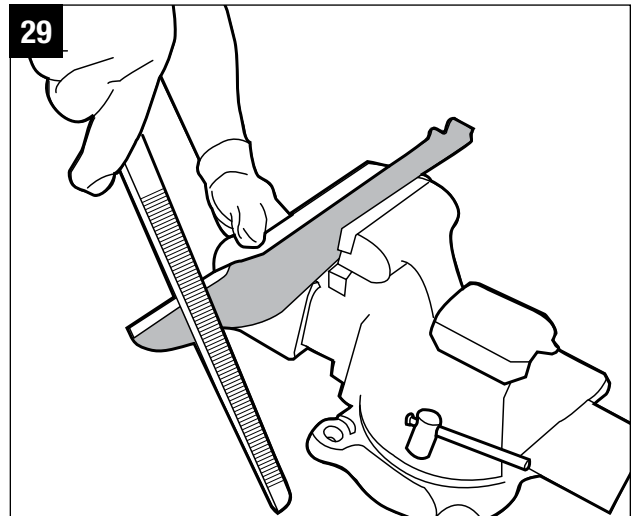
QUAND AFFÛTER LA LAME :

- Veillez à ce que la lame reste toujours équilibrée.
- Affûtez la lame en suivant l'angle original de coupe.
- Affûtez les bords coupants aux deux extrémités de la lame, en enlevant une quantité égale de matériau de chaque extrémité.

AFFÛTAGE DE LA LAME DANS UN ÉTAU :

1. Retirez la lame de la tondeuse (consultez la section RETRAIT DE LA LAME).
2. Fixez la lame dans un étau (Fig. 29).
3. Portez une protection oculaire appropriée ainsi que des gants et faites attention de ne pas vous couper.
4. Limez soigneusement les bords coupants de la lame à l'aide d'une lime fine ou d'une pierre à aiguiser, en suivant l'angle du bord original de coupe.
5. Pour vérifier l'équilibre de la lame : fixez un clou ou un tournevis à tige ronde en position horizontale. Placez la lame de façon à ce que le clou ou la tige ronde du tournevis la supporte par son trou central. Placez la lame à l'horizontale. Si une extrémité ou l'autre de la lame penche vers le bas, supprimez un peu de métal du côté le plus bas ou le plus lourd jusqu'à ce que la lame soit bien équilibrée. Elle est équilibrée lorsqu'aucune des extrémités ne penche vers le bas (Fig. 30).
6. Remplacez la lame sur la tondeuse et fixez-la fermement (consultez la section INSTALLATION DE LA LAME).

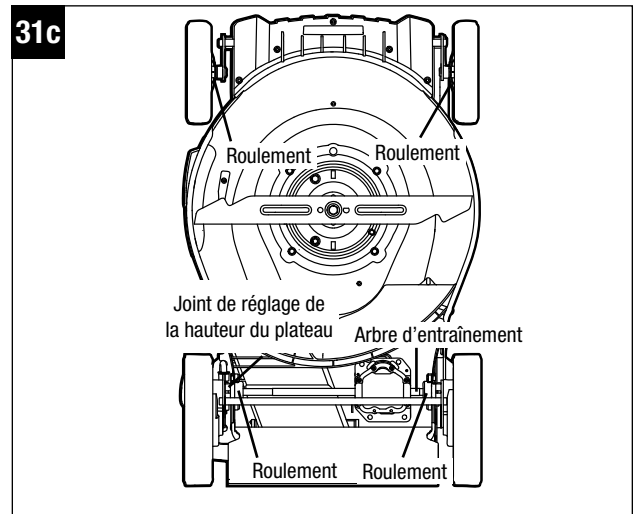
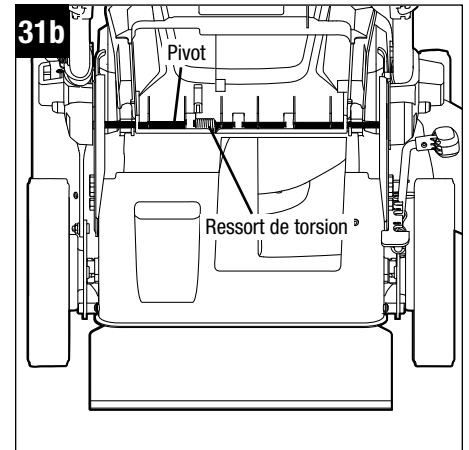
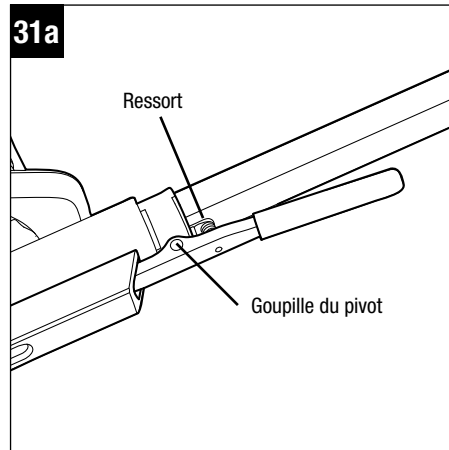
⚠ AVERTISSEMENT : Une lame déséquilibrée peut causer des vibrations excessives lorsqu'elle tourne à vitesse élevée. Elle risque d'endommager la tondeuse, de se briser et de causer des blessures.



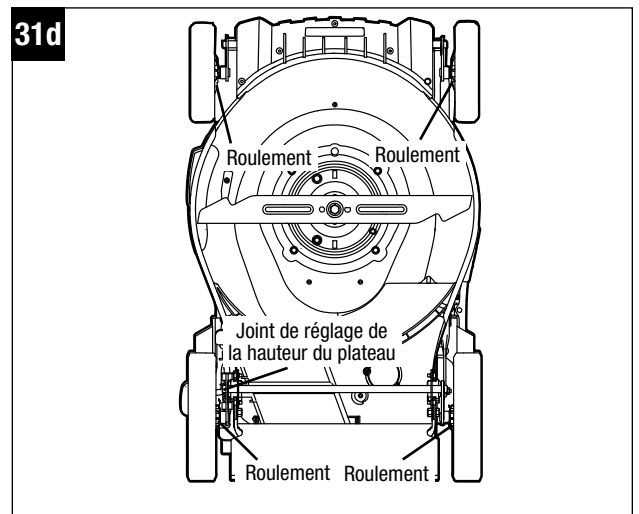
GRAISSAGE

Graissez avec de l'huile légère comme indiqué ci-dessous au moins une fois par saison.

- Graissez de façon périodique le ressort et la goupille du pivot du levier de réglage rapide, le ressort de torsion et le pivot du clapet d'évacuation arrière régulièrement à l'aide d'huile légère pour prévenir la rouille (Fig. 31a et 31b).
- Placez la tondeuse en position verrouillée pour le remisage :
 1. Déplacez le levier de réglage de la hauteur de coupe vers l'avant et enclenchez-le au réglage inférieur (réglage 1).
 2. Ouvrez les pinces de verrouillage de la poignée et repliez complètement les barres latérales en position compacte.
 3. Maintenez enfoncé le levier de réglage rapide avec votre main droite pour dégager la poignée.
 4. Faites pivoter la poignée doucement vers l'avant de la tondeuse; relâchez le levier de réglage rapide et continuez à faire pivoter la poignée jusqu'à ce que vous sentiez que l'ergot d'arrêt s'enclenche en position verrouillée pour le remisage et que vous l'entendiez.
- Placez la tondeuse pliée au sol, à la verticale (Fig. 31c et 31d).
- Graissez le joint de réglage de la hauteur du plateau.
- Pour la LM2020SP, graissez les roulements de l'arbre d'entraînement à proximité des roues arrière ainsi que les roulements des roues avant (Fig. 31c).
- Pour la LM2020, graissez les roulements des roues arrière et des roues avant (Fig. 31d).



Pour la LM2020SP



Pour la LM2020

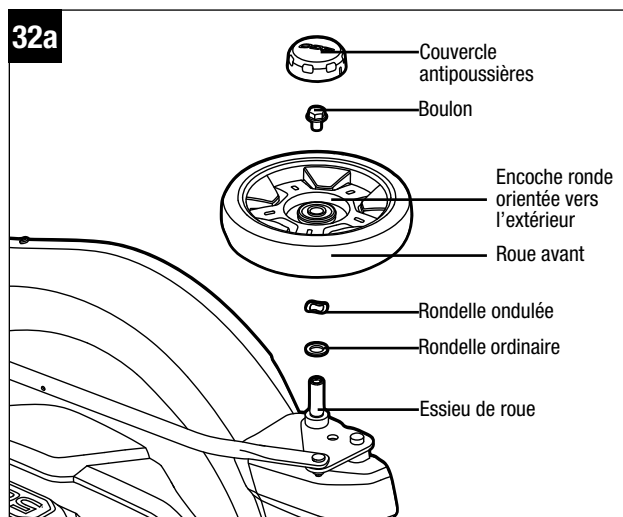
REPLACEMENT DES ROUES (Fig. 32a, 32b & 32c)

⚠ AVERTISSEMENT : Retirez toujours la clé de sécurité et le bloc-pile lorsque vous procédez à l'entretien de la tondeuse ou que vous la transportez.

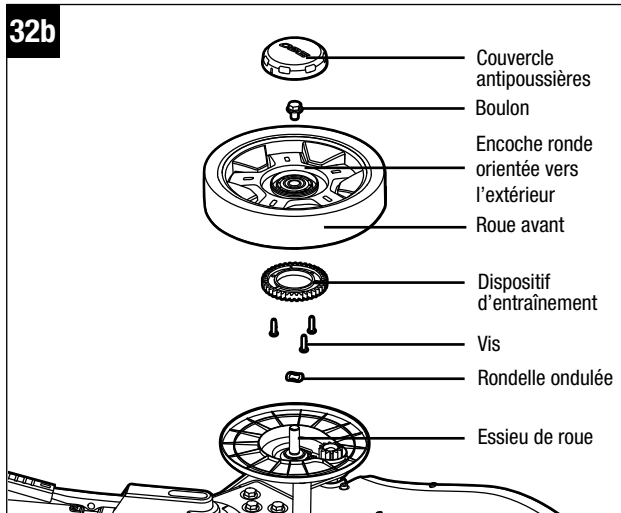
1. Tournez la tondeuse sur le côté en plaçant le dessus contre un mur.
2. Dégagez le couvercle antipoussières de la roue à l'aide d'un tournevis à lame plate.
3. Utilisez une clé à molette ou une clé de 13 mm (1/2 po) pour faire tourner le boulon dans le sens inverse des aiguilles d'une montre afin de le desserrer.
4. Retirez le boulon, la roue usée et la rondelle ondulée de l'essieu de roue.

Remarque : Lorsque vous remplacez la roue arrière de la tondeuse autotractée (LM2020SP), retirez le dispositif d'entraînement de la roue usée et fixez-le à la nouvelle roue à l'aide de 3 vis.

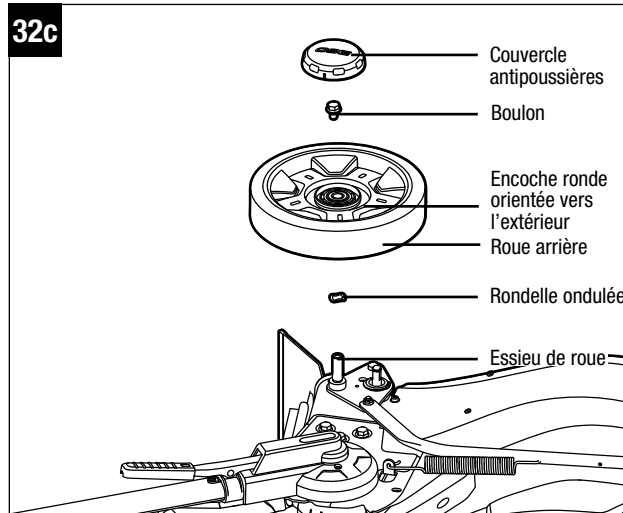
5. Placez la rondelle ondulée et la nouvelle roue sur l'essieu de roue. Veuillez noter que l'encoche ronde doit être orientée vers l'extérieur.
6. Fixez la roue en serrant le boulon dans le sens des aiguilles d'une montre.
7. Remplacez le couvercle antipoussières sur la roue et appuyez dessus pour le fixer en place.



Roue avant pour les modèles LM2020 et LM2020SP



Roue arrière pour la LM2020SP



Roue arrière pour la LM2020

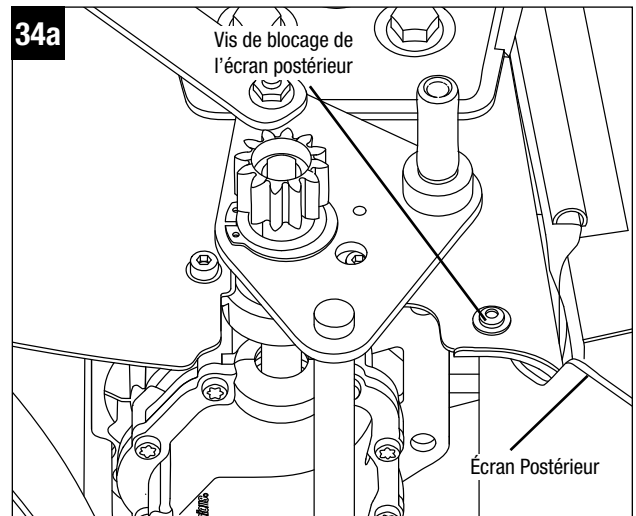
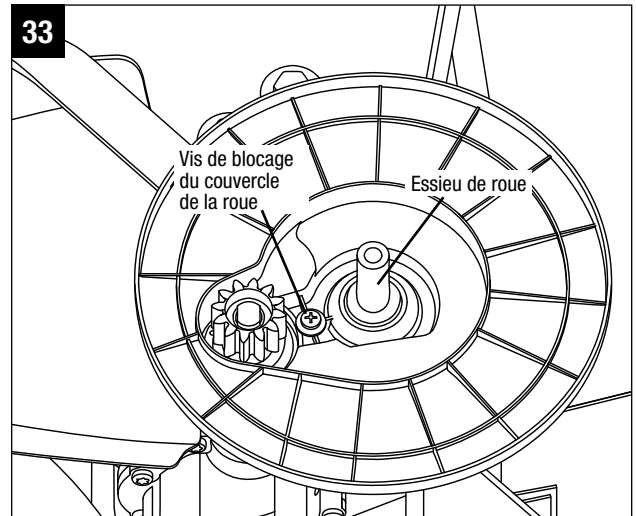
REPLACEMENT DE L'ÉCRAN POSTÉRIEUR

⚠ AVERTISSEMENT : Retirez toujours le bloc-pile lorsque vous procédez à l'entretien de la tondeuse ou que vous la transportez.

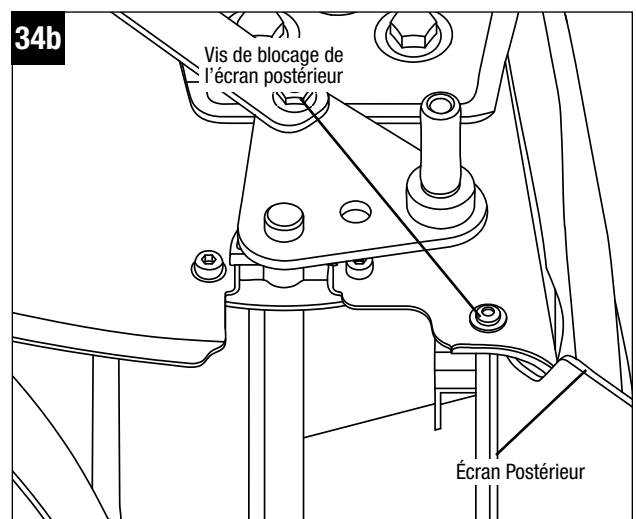
⚠ AVERTISSEMENT : N'utilisez jamais la tondeuse si l'écran postérieur n'est pas en place et fonctionnel. N'utilisez jamais la tondeuse si les dispositifs de sécurité sont endommagés. Cela pourrait provoquer des blessures.

L'écran postérieur peut s'user et être endommagé et, par conséquent, exposer les pièces mobiles ou causer la projection de débris. Par mesure de sécurité, vérifiez souvent l'écran postérieur et remplacez-le immédiatement avec une pièce identique à celle indiquée dans ce guide.

1. Retirez la batterie.
2. Tournez la tondeuse sur le côté en plaçant le dessus contre un mur.
3. Retirez la roue arrière du côté supérieur en suivant les instructions de la section « REMPLACEMENT DES ROUES » du présent guide.
4. Pour les tondeuses automotrices LM2020SP, desserrez la vis de blocage du couvercle de la roue et retirez, en suivant l'ordre ci-après, la vis, la rondelle à ressort et la rondelle plate; retirez ensuite le couvercle de la roue de l'arbre de roue (Fig. 33).
5. Répétez les étapes 1 à 3 ci-dessus pour retirer l'autre roue arrière et le couvercle de roue associé (LM2020SP uniquement).
6. Desserrez la vis de blocage de l'écran postérieur des deux côtés; retirez l'écran postérieur usé (Fig. 34a et 34b).

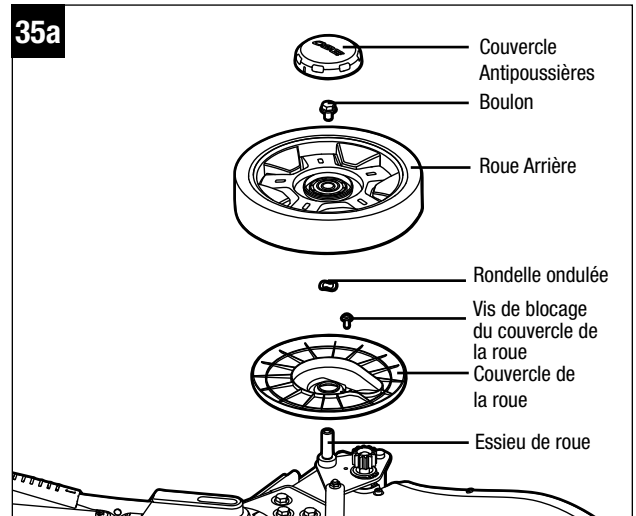


Pour la LM2020SP

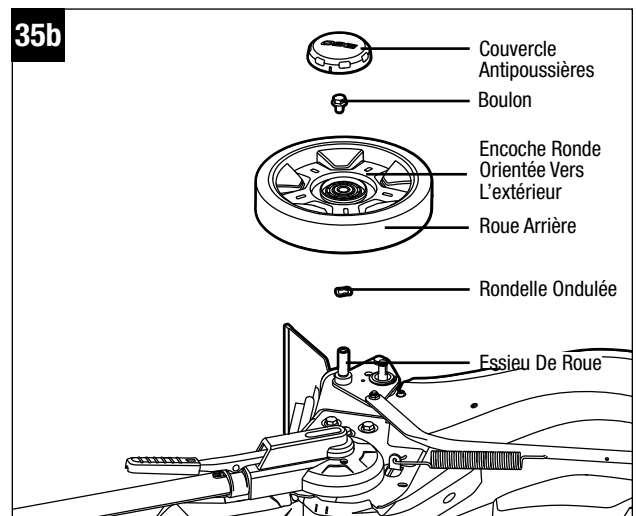


Pour la LM2020

7. Remplacez le nouvel écran postérieur et fixez-le à l'aide des deux vis de blocage et rondelles plates.
8. Réinstallez les couvercles de roue arrière (LM2020SP) et les roues arrière, veillez à replacer les pièces dans l'ordre exact dans lequel vous les avez retirées (Fig. 35a et 35b).



Pour la LM2020SP



Pour la LM2020

REMISAGE DE LA TONDEUSE

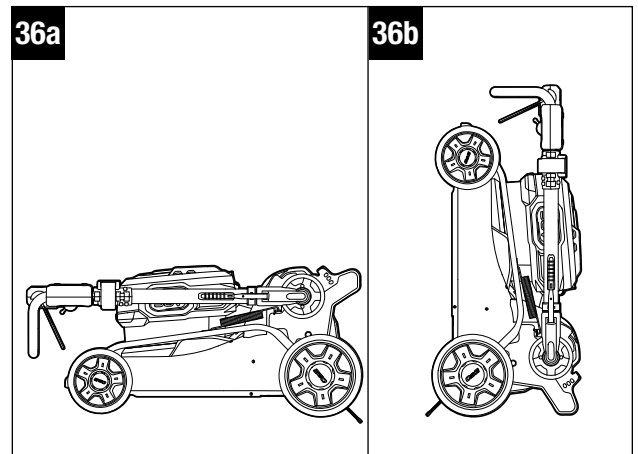
Vous devriez prendre les mesures suivantes afin de préparer la tondeuse pour le remisage.

1. Retirez le bloc-pile de la tondeuse et remisez-le dans un endroit sec à température ambiante.
2. Nettoyez la tondeuse comme il est expliqué à la section précédente.
3. Vérifiez la lame et remplacez-la ou affûtez-la au besoin.
4. Graissez la tondeuse.
5. Remisez la tondeuse dans un endroit sec et propre. Ne la remisez pas près de matériaux corrosifs, comme de l'engrais ou du sel gemme.
6. Remisez la tondeuse dans un endroit couvert, fermé, frais et sec, hors de portée des enfants.
7. Ne couvrez pas la tondeuse d'une feuille de plastique solide. Les couvertures de plastique emprisonnent l'humidité autour de la tondeuse, ce qui cause de la rouille et de la corrosion.

La poignée peut être repliée complètement pour le remisage :

1. Enlevez le sac de déchets de coupe.
2. Déplacez le levier de réglage de la hauteur de coupe vers l'avant et enclenchez-le au réglage inférieur (réglage 1).
3. Ouvrez les pinces de verrouillage de la poignée et repliez complètement les barres latérales en position compacte.
4. Maintenez enfoncé le levier de réglage rapide avec votre main droite pour dégager la poignée. Faites pivoter la poignée doucement vers l'avant de la tondeuse; relâchez le levier de réglage rapide et continuez à faire pivoter la poignée jusqu'à ce que vous sentiez que l'ergot d'arrêt s'engage en position verrouillée pour le remisage et que vous l'entendiez.
5. Remisez la tondeuse en position verticale ou à plat (Fig. 36a et 36b).

⚠ AVERTISSEMENT : Si la tondeuse se renverse à partir de la position verticale, cela pourrait l'endommager ou causer des blessures. Assurez-vous que la tondeuse est toujours stable et hors de portée des enfants lorsqu'elle est en position verticale. Dans la mesure du possible, remisez-la à plat.



DÉPANNAGE

⚠ AVERTISSEMENT : Retirez toujours la clé de sécurité et le bloc-pile lorsque vous procédez à l'entretien de la tondeuse ou que vous la transportez. Protégez-vous toujours les mains en portant des gants épais ou en recouvrant les bords coupants à l'aide de chiffons ou d'autres matériaux lorsque vous effectuez des opérations d'entretien de la lame de la tondeuse.

| Problème | Cause | Solution |
|--|---|--|
| La tondeuse ne démarre pas | <ul style="list-style-type: none"> ■ Le bloc-pile est déchargé. ■ Le bloc-pile n'est pas bien en place dans le compartiment du bloc-pile. ■ Le bloc-pile ou les circuits de la tondeuse sont trop chauds. (L'indicateur de mise en marche émet une lumière orange pendant 10 secondes.) ■ Les barres latérales ne sont pas allongées à la longueur maximale et les pinces ne sont pas verrouillées en place. ■ La poignée n'est pas réglée à l'une des trois positions d'utilisation. ■ Le plateau de coupe est obstrué par de l'herbe et des débris. | <ul style="list-style-type: none"> ■ Chargez le bloc-pile. ■ Installez le bloc-pile dans la tondeuse et appuyez dessus jusqu'à ce que vous entendiez un « clic ». ■ Laissez le bloc-pile et la tondeuse refroidir jusqu'à une température inférieure à 67 °C (152 °F). ■ Allongez complètement la poignée et verrouillez les deux pinces. ■ Réglez la poignée à une des trois positions d'utilisation. ■ Nettoyez le plateau de coupe et assurez-vous que la lame peut bouger librement. |
| La tondeuse coupe de façon inégale | <ul style="list-style-type: none"> ■ La lame est émoussée. ■ La hauteur de coupe n'est pas réglée correctement. ■ La lame n'est pas fixée correctement. | <ul style="list-style-type: none"> ■ Affûtez ou remplacez la lame. ■ Augmentez la hauteur du plateau. ■ Remontez la lame, en consultant la section INSTALLATION DE LA LAME de ce guide. |
| La tondeuse s'arrête en cours d'utilisation. | <ul style="list-style-type: none"> ■ Le bloc-pile est déchargé. ■ La tondeuse est surchargée. ■ Le plateau de coupe est obstrué d'herbe et de débris. ■ Le bloc-pile ou les circuits de la tondeuse sont trop chauds. (L'indicateur de mise en marche émet une lumière orange pendant 10 secondes). ■ La barre latérale est légèrement rétractée par la force exercée sur la poignée lors de l'enfoncement. | <ul style="list-style-type: none"> ■ Chargez le bloc-pile. ■ Augmentez la hauteur de coupe ou ralentissez le rythme de tonte. ■ Nettoyez le plateau de coupe. Augmentez la hauteur de coupe ou réduisez la largeur de coupe. ■ Laissez le bloc-pile et la tondeuse refroidir jusqu'à une température inférieure à 67 °C (152 °F). ■ Déverrouillez les pinces. Allongez complètement les barres latérales et verrouillez de nouveau les pinces. |

| Problème | Cause | Solution |
|---|---|--|
| La tondeuse ne déchiquette pas correctement. | <ul style="list-style-type: none"> ■ Des brins d'herbe mouillés sont collés sous le plateau. ■ La tondeuse est réglée pour couper trop d'herbe à la fois. | <ul style="list-style-type: none"> ■ Attendez que l'herbe sèche avant de la tondre. ■ Augmentez la hauteur du plateau. |
| La vibration est excessive. | <ul style="list-style-type: none"> ■ La lame de coupe n'est pas bien serrée. ■ La lame de coupe n'est pas équilibrée. ■ La lame de coupe est tordue. ■ L'axe du moteur est tordu. | <ul style="list-style-type: none"> ■ Serrez le boulon de la lame. ■ Équilibrez la lame en suivant les consignes. ■ Remplacez la lame. ■ Communiquez avec le centre de service. |
| Il est impossible de fixer les pinces de verrouillage de la poignée en place. | <ul style="list-style-type: none"> ■ Les barres latérales ne sont pas complètement allongées. | <ul style="list-style-type: none"> ■ Allongez complètement les barres latérales, puis verrouillez les pinces. |
| Il est difficile de faire reculer la tondeuse lorsque la fonction automotrice est désactivée. | <ul style="list-style-type: none"> ■ Les roues sont temporairement verrouillées. | <ul style="list-style-type: none"> ■ Faites-la simplement avancer légèrement, puis utilisez-la à votre guise. |
| Poids de la tondeuse (sans le bloc-pile, avec le raccord pour déchiquetage) | <ul style="list-style-type: none"> ■ Le moteur fonctionne, mais la lame ne coupe pas le gazon. | <ul style="list-style-type: none"> ■ Serrez la lame de nouveau. Le couple recommandé pour le boulon de la lame est de 49 à 59 N.m (36 à 43 lb-pi). |
| Durée de fonctionnement réduite de la tondeuse avec la batterie incluse | <ul style="list-style-type: none"> ■ L'état du gazon et le réglage de la hauteur de coupe influent grandement sur la durée de fonctionnement de la batterie. La durée de fonctionnement indiquée est basée sur une condition de charge légère. | <ul style="list-style-type: none"> ■ Augmentez la hauteur de la lame et ralentissez le rythme pour diminuer la charge de coupe. |

GARANTIE

POLITIQUE D'EGO EN MATIÈRE DE GARANTIE

Garantie limitée de cinq ans pour l'équipement électrique d'extérieur EGO et de trois ans pour les chargeurs et les blocs-piles EGO Power+.

Veillez communiquer avec le service à la clientèle EGO au numéro sans frais 1-855-EGO-5656 pour toute question sur les réclamations au titre de la garantie.

GARANTIE LIMITÉE D'ENTRETIEN

À compter de la date d'achat originale, ce produit EGO est garanti **PENDANT CINQ ANS** contre les défauts de matériaux et de fabrication. Les produits défectueux seront réparés gratuitement.

À compter de la date d'achat originale, le chargeur et le bloc-pile EGO Power+ sont garantis **PENDANT TROIS ANS** contre

les défauts de matériaux et de fabrication. Les produits défectueux seront réparés gratuitement.

Cette garantie ne couvre pas la lame, qui est une pièce pouvant s'user avec une utilisation normale pendant la période de garantie.

- Cette garantie s'applique uniquement à l'acheteur initial s'étant procuré le produit chez un détaillant EGO autorisé et est non transférable. <http://egopowerplus.com/pages/warranty-policy>.
- La période de garantie pour toute pièce ou tout produit EGO utilisé à des fins industrielles, professionnelles ou commerciales est de un an.
- Cette garantie n'est pas valable si le produit a été utilisé à des fins de location.
- Cette garantie ne couvre pas les dommages résultant d'une modification, d'une altération ou d'une réparation non autorisée.
- Cette garantie couvre uniquement les défauts survenant dans le cadre d'une utilisation normale et ne couvre aucun dysfonctionnement ou défaut ni aucune défaillance découlant d'un usage inapproprié ou abusif (notamment la surcharge du produit et l'exposition à l'eau ou à la pluie), d'un accident, d'une négligence, d'une d'installation inadéquate et de tout entretien ou entreposage inadéquat.
- Cette garantie ne couvre pas la détérioration normale du fini extérieur, notamment les rayures, bosselures, craquelures de la peinture ou toute corrosion ou décoloration résultant de la chaleur, de produits abrasifs et de nettoyeurs chimiques.

COMMENT OBTENIR DES SERVICES D'ENTRETIEN

Pour un entretien sous garantie, veuillez communiquer avec le service à la clientèle EGO au numéro sans frais 1-855-EGO-5656. Lorsque vous demandez un entretien sous garantie, vous devez présenter le reçu de vente original. Un centre de service autorisé sera sélectionné pour la réparation du produit conformément aux conditions de garantie prescrites.

RESTRICTIONS SUPPLÉMENTAIRES

Dans les limites prescrites par la législation locale, toutes les garanties implicites, notamment les garanties de QUALITÉ MARCHANDE ou d'ADÉQUATION POUR UN USAGE PARTICULIER, sont non valides. Toute garantie implicite, notamment les garanties de qualité marchande ou d'adéquation pour un usage particulier, qui ne peut être déclinée en vertu de la législation provinciale est limitée à cinq ans à compter de la date d'achat pour l'équipement électrique d'extérieur et à trois ans à compter de la date d'achat pour les chargeurs et blocs-piles.

Chervon North America n'est pas responsable des dommages accessoires, consécutifs, indirects ou directs.

Certaines provinces n'autorisent pas les restrictions de durée de garantie implicite, ou l'exclusion ou la restriction des dommages consécutifs et accessoires, c'est pourquoi les restrictions ci-dessus peuvent ne pas s'appliquer à votre cas.

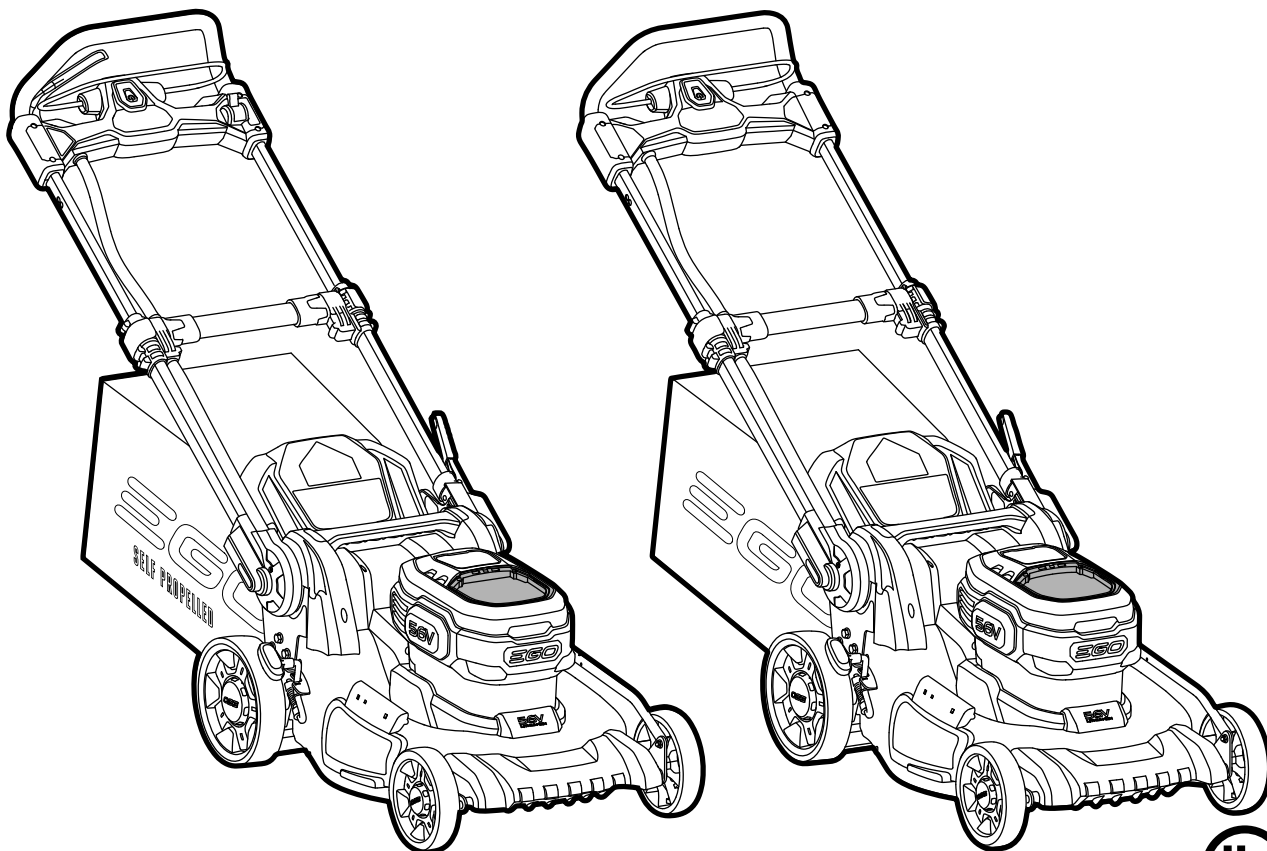
Cette garantie vous confère des droits précis. Il est possible que vous disposiez également d'autres droits, qui varient d'une province à l'autre.

Pour communiquer avec le service à la clientèle, veuillez composer le numéro sans frais suivant :
1-855-EGO-5656 ou consulter le site Web EGOPOWERPLUS.COM.

EGO Customer Service, 120 Ionia Street SW / Suite 102 Grand Rapids, MI 49503

EGO™

POWER⁺ MOWER



MANUAL DE OPERACIONES

CORTADORA INALÁMBRICA DE IONES DE LITIO DE 56 VOLTIOS

MODELO NÚMERO LM2020SP/LM2020



ADVERTENCIA: Para reducir el riesgo de lesiones, el usuario debe leer y comprender el Manual del usuario antes de usar el producto. Guarde estas instrucciones para consultarlas en el futuro.

ÍNDICE

| | |
|---|---------|
| Símbolos de seguridad | 77 |
| Instrucciones de seguridad | 78-79 |
| Reglas de seguridad de la cortadora de césped inalámbrica | 80-83 |
| Especificaciones | 84-85 |
| Descripción | 86-88 |
| Ensamblaje | 88-92 |
| Operación | 92-99 |
| Mantenimiento | 100-108 |
| Solución de problemas | 109-110 |
| Garantía | 112-113 |

LEA TODAS LAS INSTRUCCIONES



LEA Y COMPRENDA EL MANUAL DE INSTRUCCIONES

⚠ ADVERTENCIA: Algunas partículas generadas por las herramientas de corte contienen químicos que, en el estado de California, se reconocen como posibles causante de cáncer, malformaciones congénitas u otros daños en los órganos reproductivos. Algunos ejemplos de estos químicos son los siguientes:

- Plomo de pinturas a base de plomo.
- Sílice cristalina de ladrillos, cemento y otros productos de mampostería.
- Arsénico y cromo de maderas tratadas químicamente.

El riesgo por estas exposiciones varía según la frecuencia con la que realice este tipo de trabajo. Medidas para reducir la exposición a estos químicos: Trabaje en un área bien ventilada y con el equipo de seguridad aprobado, como las máscaras antipolvo especialmente diseñadas para filtrar partículas microscópicas.

SÍMBOLOS DE SEGURIDAD

Estos símbolos de seguridad se utilizan para advertirle sobre los posibles peligros. Los símbolos de seguridad y las explicaciones que los acompañan merecen cuidadosa atención y comprensión. Por sí solos, los símbolos de advertencia no eliminan los peligros. Las instrucciones y advertencias que proporcionan no reemplazan a las medidas adecuadas de prevención de accidentes.

⚠ ADVERTENCIA: Antes de utilizar esta herramienta, asegúrese de leer y comprender todas las instrucciones de seguridad en este Manual del usuario, incluidos todos los símbolos de alerta de seguridad como “PELIGRO”, “ADVERTENCIA” y “PRECAUCIÓN”. Si no se siguen todas las instrucciones que se indican a continuación, se pueden producir descargas eléctricas, incendios o lesiones personales graves.

SIGNIFICADO DE LOS SÍMBOLOS

⚠ SÍMBOLO DE ALERTA DE SEGURIDAD: Indica PELIGRO, ADVERTENCIA O PRECAUCIÓN. Puede emplearse junto con otros símbolos o pictografías.



⚠ ADVERTENCIA: La operación de cualquier herramienta eléctrica puede causar que se disparen objetos extraños hacia sus ojos, lo que puede resultar en daños graves en los ojos. Antes de comenzar a operar una herramienta eléctrica, use siempre gafas protectoras o anteojos de seguridad con protección lateral y un protector facial si es necesario. Le recomendamos usar una máscara de seguridad de visión amplia sobre anteojos o anteojos de seguridad estándar con protección lateral. Use siempre protección ocular con la marca de cumplimiento de la norma ANSI Z87.1.

INSTRUCCIONES DE SEGURIDAD

Esta página presenta y describe los símbolos de seguridad que pueden aparecer en este producto. Lea, comprenda y siga todas las instrucciones que figuran en la máquina antes de intentar ensamblarla y operarla.

| | | |
|--|--|---|
| | Alerta de seguridad | Indica un posible peligro de lesiones personales. |
| | Protección ocular | Use siempre gafas protectoras o anteojos con protección lateral y un protector facial al operar este producto. |
| | Lea el Manual del usuario | Para reducir el riesgo de lesiones, el usuario debe leer y comprender el Manual del usuario antes de usar este producto. |
| | Mantenga los dispositivos de seguridad | No abra ni se quite los dispositivos de seguridad mientras la máquina está en funcionamiento. |
| | Mire hacia atrás mientras retrocede. | Mire hacia abajo y hacia atrás antes de retroceder para evitar tropezarse. |
| | PELIGRO: Mantenga las manos y los pies alejados | Para reducir el riesgo de lesiones, mantenga las manos y los pies alejados de las piezas giratorias. No opere esta máquina si la cubierta de descarga o la bolsa recolectora no están en el lugar correcto. En caso de daño, reemplácelas inmediatamente. |
| | PELIGRO: Mantenga a otras personas alejadas | No corte el césped si hay niños u otras personas cerca. |
| | PELIGRO: Pueden saltar residuos | Quite los objetos que puedan ser arrojados por la cuchilla en cualquier dirección. Use anteojos de seguridad. |
| | PELIGRO: Cuidado con las pendientes pronunciadas | Extreme las precauciones en las pendientes. No pade el césped si la pendiente es superior a los 15 grados. |

| | | |
|-------------------------|--|---|
| | <p>Símbolos de reciclaje</p> | <p>Este producto usa baterías de ion de litio. Las leyes locales, estatales o federales pueden prohibir que las baterías se desechen junto con la basura normal. Consulte con la autoridad de residuos local para obtener información acerca de las opciones de reciclado o de desecho disponibles.</p> |
| <p>IPX4</p> | <p>Nivel de Protección del Ingreso</p> | <p>Protección contra salpicaduras de agua</p> |
| <p>V</p> | <p>Voltio</p> | <p>Voltaje</p> |
| <p>A</p> | <p>Amperios</p> | <p>Corriente</p> |
| <p>Hz</p> | <p>Hertz</p> | <p>Frecuencia (ciclos por segundo)</p> |
| <p>W</p> | <p>Vatio</p> | <p>Potencia</p> |
| <p>min</p> | <p>Minutos</p> | <p>Tiempo</p> |
| <p>~</p> | <p>Corriente alterna</p> | <p>Tipo de corriente</p> |
| <p>≡</p> | <p>Corriente continua</p> | <p>Tipo o característica de la corriente</p> |
| <p>n_0</p> | <p>Velocidad sin carga</p> | <p>Velocidad de rotación, sin carga</p> |
| <p>... /min</p> | <p>Por minuto</p> | <p>Revoluciones por minuto</p> |

⚠ ADVERTENCIA: Para garantizar la seguridad y confiabilidad, todas las reparaciones las debe realizar un técnico calificado.

REGLAS DE SEGURIDAD DE LA CORTADORA DE CÉSPED INALÁMBRICA

⚠ PELIGRO: Esta máquina fue construida para ser operada conforme a las reglas de operación segura que se incluyen en este manual. Al igual que con cualquier tipo de equipo eléctrico, un error o un descuido del usuario puede provocar lesiones graves. Esta máquina puede amputar manos y pies y arrojar objetos. No seguir todas las instrucciones de seguridad podría ocasionar lesiones graves o incluso la muerte.

⚠ ADVERTENCIA: Al usar cortadoras de césped eléctricas, siempre se deben tomar medidas de seguridad básicas para reducir el riesgo de incendios, descargas eléctricas o lesiones personales. A continuación se detallan algunas medidas básicas:

NIÑOS

Pueden ocurrir accidentes trágicos si el usuario no está atento a la presencia de niños. Los niños suelen sentirse atraídos por la cortadora y el movimiento de la máquina. No comprenden los peligros. Nunca suponga que los niños permanecerán donde los vio por última vez.

- Mantenga a los niños alejados del área donde esté cortando el césped y asegúrese de que estén bajo el cuidado de un adulto responsable que no sea el usuario.
- Esté atento y apague la cortadora si un niño ingresa al área donde está cortando.
- Extreme los cuidados cuando se acerque a esquinas con visibilidad restringida, entradas, arbustos, árboles o a otros objetos que puedan limitar la visión y que le impidan ver si un niño se está acercando a la cortadora.
- No le permita nunca a un menor de 14 años operar una cortadora eléctrica. Las personas mayores de 14 años deben leer y comprender las instrucciones de operación y las reglas de seguridad de este manual, y un adulto debe capacitarlos y supervisarlos. Solo deben usar esta máquina las personas responsables que conozcan estas reglas para operarla de modo seguro.

OPERACIÓN

Operación general:

- Lea detenidamente este Manual del usuario en su totalidad antes de intentar ensamblar esta máquina. Lea, comprenda y siga todas las instrucciones que figuran en la máquina y en los manuales antes de operarla. Debe conocer completamente los controles y el uso adecuado de esta máquina antes de operarla. Conserve este manual en un lugar seguro para consultarlo regularmente en el futuro y para pedir piezas de repuesto.
- Use el aparato adecuado: No use la cortadora de césped para ninguna otra tarea que no sea la prevista.
- No se extralimite: Mantenga el punto de apoyo y el equilibrio adecuado en todo momento.
- Los objetos golpeados por la cortadora de césped pueden causar lesiones graves a las personas. Siempre debe revisar cuidadosamente el césped y quitar todos los objetos del área antes de empezar a cortar.
- Mantenga a las personas alejadas del área de operación, especialmente a los niños pequeños y a las mascotas.
- Antes de retroceder y mientras retrocede, mire hacia atrás y hacia abajo para controlar que no haya niños pequeños ni otras personas.
- Mantenga la abertura de descarga despejada en todo momento.
- Esta máquina es un equipo eléctrico de precisión, no un juguete. Por lo tanto, tenga extremo cuidado en todo momento. Esta unidad está diseñada para realizar un solo trabajo: cortar el césped. No la use para ningún otro fin.
- No fuerce la cortadora de césped: esta máquina funcionará mejor y de modo más seguro si se usa al ritmo para el cual se diseñó.

- Inspeccione minuciosamente el área en la que va a usar el equipo. Quite todas las rocas, palos, alambres, juguetes y demás objetos extraños que puedan ser alcanzados o arrojados por la cuchilla. Los objetos arrojados por la cuchilla pueden causar lesiones graves a las personas.
- Planifique cómo cortará el césped para evitar descargar material en lugares donde haya caminos, aceras, transeúntes, etc. Además, evite descargar el material contra paredes u obstáculos que puedan hacer que el material descargado rebote y regrese hacia el usuario.
- Para evitar el contacto con la cuchilla o una herida por los objetos arrojados, manténgase en la zona del usuario, detrás de las empuñaduras, y evite que los niños, los transeúntes, los asistentes y las mascotas se acerquen a menos de 100 pies (30 m) de la cortadora mientras está en funcionamiento. Apague la máquina si alguien ingresa en la zona donde está cortando.
- Use siempre anteojos de seguridad o gafas protectoras mientras opere la cortadora y realice un ajuste o una reparación para proteger sus ojos. Los objetos arrojados por la cuchilla pueden rebotar y causar lesiones oculares graves. Use siempre una máscara antipolvo o que cubra el rostro si operará en una zona con mucho polvo.
- Vístase de manera adecuada: no use ropa holgada ni joyas. Estas pueden quedar atascadas en las piezas móviles. Se recomienda usar guantes y calzado de goma para trabajar en exteriores. Use zapatos de trabajo resistentes, con suela dura, y pantalones y camisetas que se ajusten al cuerpo. Se recomienda usar camisetas y pantalones que cubran los brazos y las piernas, y zapatos con punta de acero. Nunca opere esta máquina descalzo, con sandalias o con un calzado que resbale o que sea muy liviano (por ej., de lona).
- No coloque las manos ni los pies cerca de las piezas giratorias o debajo de la plataforma de corte. El contacto con la cuchilla puede producir la amputación de manos y pies.
- Si falta la cubierta de descarga o si está dañada pueden ocurrir lesiones por el contacto con la cuchilla o por los objetos arrojados.
- Se producen muchas lesiones cuando, al resbarlarse o tropezarse, se produce una caída y la cortadora para sobre el pie. Si se está cayendo, no se aferre a la cortadora; suelte la agarradera inmediatamente.
- Nunca jale la cortadora hacia su cuerpo mientras camina. Si debe mover la cortadora hacia atrás para evitar una pared o un obstáculo, antes debe mirar hacia atrás y hacia abajo para evitar tropezarse y luego, siga estos pasos:
 - Aléjese un paso hacia atrás para poder extender completamente los brazos.
 - Asegúrese de estar bien parado, con los pies firmes.
 - Mueva la cortadora hacia atrás lentamente, hasta no más de la mitad del recorrido de sus brazos.
 - Repita estos pasos cada vez que sea necesario.
- No opere la cortadora bajo la influencia de drogas o alcohol.
- Manténgase alerta: concéntrese en lo que hace. Use el sentido común. No opere la cortadora de césped si está cansado.
- La palanca de control de la cuchilla y el motor es un dispositivo de seguridad. Nunca intente alterar su operación. De lo contrario, este dispositivo de seguridad no funcionará y podría causar lesiones personales por el contacto con la cuchilla giratoria. La palanca de control de la cuchilla y el motor debe moverse fácilmente en ambas direcciones y, al soltarla, debe regresar automáticamente a la posición de desenganche.
- Evitar ambientes peligrosos. No use la podadora de césped en lugares húmedos o mojados para evitar resbalones y caídas durante el funcionamiento.
- Mantenga siempre un punto de apoyo estable. Un resbalón y una caída pueden causar lesiones personales graves. Si siente que está perdiendo pie, libere el mango de control del motor/cuchilla inmediatamente y la cuchilla dejará de girar dentro de tres segundos.

- Pude el césped durante el día o con buena luz artificial. Camine, nunca corra durante el funcionamiento.
- Detenga la cuchilla antes de cruzar aceras, caminos o senderos con gravas.
- Si el equipo comienza a vibrar de un modo anormal, detenga el motor y verifique inmediatamente la causa. La vibración, generalmente, advierte un problema.
- Apague el motor y espere hasta que la cuchilla se detenga completamente, quite la llave de seguridad y el paquete de baterías antes de limpiar la máquina, quitar o reemplazar la bolsa recolectora, el accesorio de trituración o el conducto lateral de descarga, o desatascar el conducto. La cuchilla de corte sigue girando unos segundos después de que se apaga el motor. No coloque ninguna parte del cuerpo en la zona de la cuchilla hasta que esté seguro de que esta ha dejado de girar.
- No opere la cortadora si no tiene la protección posterior adecuada, la cubierta de descarga, la bolsa recolectora, el accesorio de trituración, el conducto lateral de descarga, la palanca de control de la cuchilla y el motor o cualquier otro dispositivo protector de seguridad en su lugar y funcionando correctamente. Nunca opere la cortadora si los dispositivos de seguridad están dañados. De lo contrario, se pueden producir lesiones personales.
- Si se presentan situaciones que no están previstas en este manual, tenga cuidado y use el sentido común. Comuníquese con el Servicio al Cliente de EGO para recibir ayuda.
- Use solamente con el paquete de baterías y el cargador que se indican a continuación:

| PAQUETE DE BATERÍAS | CARGADOR |
|------------------------|----------|
| BA1120, BA1400, BA2240 | CH5500 |
| BA2800, BA4200 | CH2100 |

OPERACIÓN EN PENDIENTE:

Las pendientes son una de las causas principales de accidentes relacionados con caídas y resbalones, que pueden producir lesiones graves. La operación en pendientes requiere precaución adicional. Si no se siente seguro en una pendiente, no pode. Para su seguridad, use el indicador de pendientes que se incluye en la página 54 para medir pendientes antes de operar esta unidad en un área empinada o en pendiente. Si la pendiente es superior a los 15 grados, no pode.

Qué debe hacer:

- Pode de forma transversal a las pendientes, nunca hacia arriba ni hacia abajo. Tenga mucho cuidado cuando cambie de dirección en las pendientes.
- Esté atento a los hoyos, surcos, rocas, objetos ocultos o irregularidades que puedan provocar un resbalón o tropiezo. El césped alto puede ocultar obstáculos.

Qué no debe hacer:

- No pode el césped cerca de barrancos, zanjas o terraplenes; puede perder el equilibrio o el punto de apoyo.
- No pode si el indicador de pendientes indica que la pendiente es superior a los 15 grados.
- No pode el césped si está mojado. Un punto de apoyo inestable podría provocar resbalones.

MANTENIMIENTO

⚠ ADVERTENCIA: Los componentes de la bolsa recolectora, la cubierta de descarga, el conducto de descarga lateral, el accesorio de trituración y la protección posterior están sujetos al desgaste y a daños, lo que podría dejar piezas móviles al descubierto o facilitar la expulsión de objetos, lo que podría aumentar el riesgo de lesiones. Para proteger su seguridad,

verifique frecuentemente todos los componentes y, si están dañados, reemplácelos inmediatamente con piezas de repuesto idénticas, que se indican en este manual.

- Si la protección contra sobrecargas incorporada a la cortadora se dispara con frecuencia, comuníquese con el Servicio al Cliente de EGO o con el centro de servicio de EGO más cercano.
- No lave la cortadora con manguera; evite que el motor y las conexiones eléctricas se mojen.
- Retire la llave y guarde la cortadora de césped inactiva en el interior cuando no la use. Deje enfriar el motor antes de guardarla en un lugar cerrado. La cortadora de césped debe guardarse en un lugar seco y alto o cerrado con candado para que quede fuera del alcance de los niños.
- Cuando realice el mantenimiento, use solamente piezas de repuesto idénticas a las que se indican en este manual. El uso de piezas que no coincidan con las especificaciones del equipo original puede provocar fallas de funcionamiento o poner en riesgo la seguridad.
- Quite o desconecte el paquete de baterías antes de hacer el mantenimiento, limpiar o quitar material de la cortadora de césped.
- Siga las instrucciones para lubricar y cambiar accesorios.
- Mantenga las empuñaduras limpias, secas y sin aceite ni grasa.
- Para reducir el peligro de incendio, controle que no haya césped, hojas ni residuos acumulados en la cubierta del motor.
- Revise los pernos de montaje de la cuchilla y del motor con frecuencia para verificar que estén bien ajustados. Además, inspeccione visualmente la cuchilla para controlar que no haya daños (por ejemplo, dobladuras, rajaduras y desgastes). Reemplace la cuchilla solamente con una cuchilla de repuesto idéntica a la que se indica en este manual.
- Cuide su cortadora: mantenga la cuchilla de la cortadora limpia y afilada para obtener mejores resultados y mayor seguridad. Las cuchillas de la cortadora son filosas y pueden cortar. Envuelva la cuchilla o use guantes, y extreme las precauciones cuando efectúe el mantenimiento.
- Mantenga todos los pernos, tuercas y tornillos ajustados para asegurarse de que el equipo se encuentra en condiciones seguras de operación.
- Nunca manipule ni quite los dispositivos de seguridad. Controle regularmente que funcionen correctamente. No haga nada que pueda interferir con el funcionamiento previsto de los dispositivos de seguridad ni para reducir la protección que brinda un dispositivo de seguridad.
- Apague siempre el motor antes de realizar ajustes a una ruedas o a la altura de corte.
- Si golpea un objeto extraño, detenga el motor, quite la llave e inspeccione minuciosamente para ver si la máquina está dañada. Repare el daño antes de operar la cortadora.
- Mantenga o reemplace las etiquetas de seguridad e instrucciones según sea necesario.
- **GUARDE ESTAS INSTRUCCIONES.** Consúltelas con frecuencia y úselas para dar instrucciones a otras personas que puedan usar esta herramienta. Si le presta esta herramienta a alguien, préstele también estas instrucciones para evitar el mal uso del producto y posibles lesiones.

INTRODUCCIÓN

Felicitaciones por elegir una cortadora de césped inalámbrica de iones de litio de 56 V de última generación.

Está pensada, diseñada y fabricada para brindarle el mejor rendimiento y confiabilidad posibles.

En caso de que tuviera algún problema que no pudiera resolver fácilmente, comuníquese con el Centro de Servicio al Cliente de EGO al 1-855-EGO-5656.

Este manual contiene información importante para el ensamblaje, la operación y el mantenimiento seguro de su cortadora. Léalo atentamente antes de usar la cortadora. Mantenga este manual a mano para poder consultarlo en cualquier momento.

NÚMERO DE SERIE _____ FECHA DE COMPRA _____

EL NÚMERO DE SERIE Y DE MODELO PUEDEN CONSULTARSE EN LA ETIQUETA ADJUNTA A LA PUERTA DE DESCARGA POSTERIOR.

DEBE ANOTAR EL NÚMERO DE SERIE Y LA FECHA DE COMPRA, Y CONSERVARLOS EN UN LUGAR SEGURO PARA CONSULTARLOS EN EL FUTURO.

ESPECIFICACIONES

| Modelo Número | LM2020 | LM2020SP |
|---|---|---|
| Sistema autopulsado | No | Yes |
| Voltaje | 56V DC | 56V DC |
| Velocidad sin carga | 3000 rpm | 3000 rpm |
| Ajuste de la altura de corte aproximada | 1 1-3/16" (30mm) 2 1-9/16" (40mm) 3 2-1/8" (55mm) 4 2-3/4" (70mm) 5 3-3/8" (85mm) 6 4" (100mm) | 1-3/16" (30mm) 1-9/16" (40mm) 2-1/8" (55mm) 2-3/4" (70mm) 3-3/8" (85mm) 4" (100mm) |
| Tamaño de la plataforma | 20" | 20" |
| Volumen de la bolsa recolectora | 60 L (1,7 boisseau) | 60 L (1,7 boisseau) |
| Peso de la podadora (sin paquete de baterías; con el accesorio para compuesto orgánico) | 55.18 lb. (25.08 Kg) | 60.68 lb. (27.58 Kg) |

TIEMPO DE FUNCIONAMIENTO APROXIMADO

| Modelo | Baterías | Con batería BA2800 de 56 V y 5,0 Ah | Con batería BA4200 de 56 V y 7,5 Ah |
|--------|----------|-------------------------------------|-------------------------------------|
| | | LM2020 | 55 min. |
| | LM2020SP | 45 min. | 70 min. |

NOTA: El tiempo de funcionamiento real variará con la condición del césped; por ejemplo, especie, densidad, humedad, etc.

ACCESORIOS

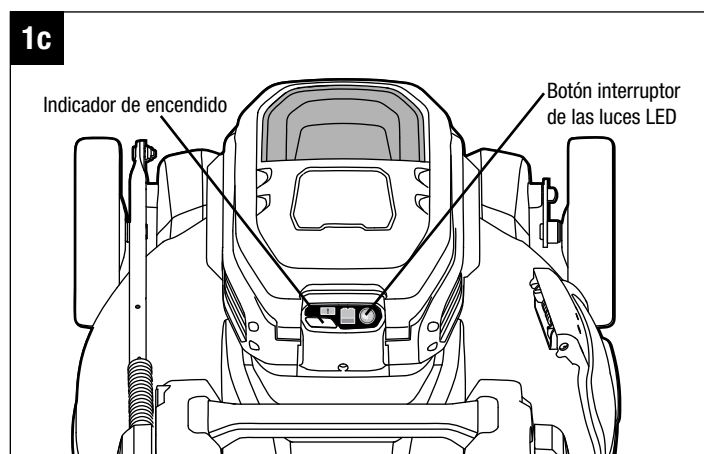
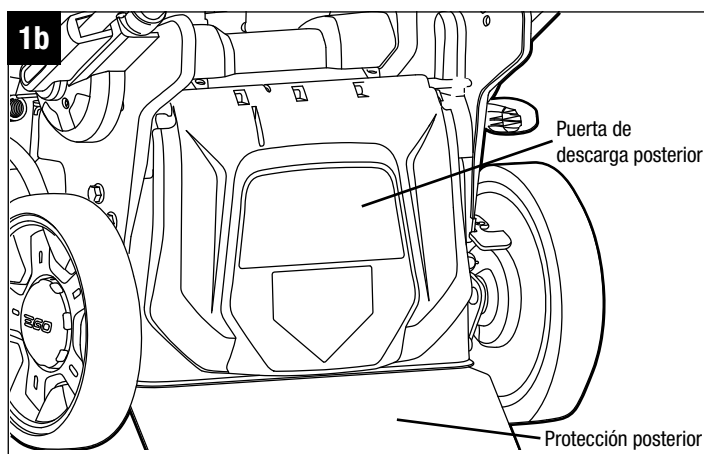
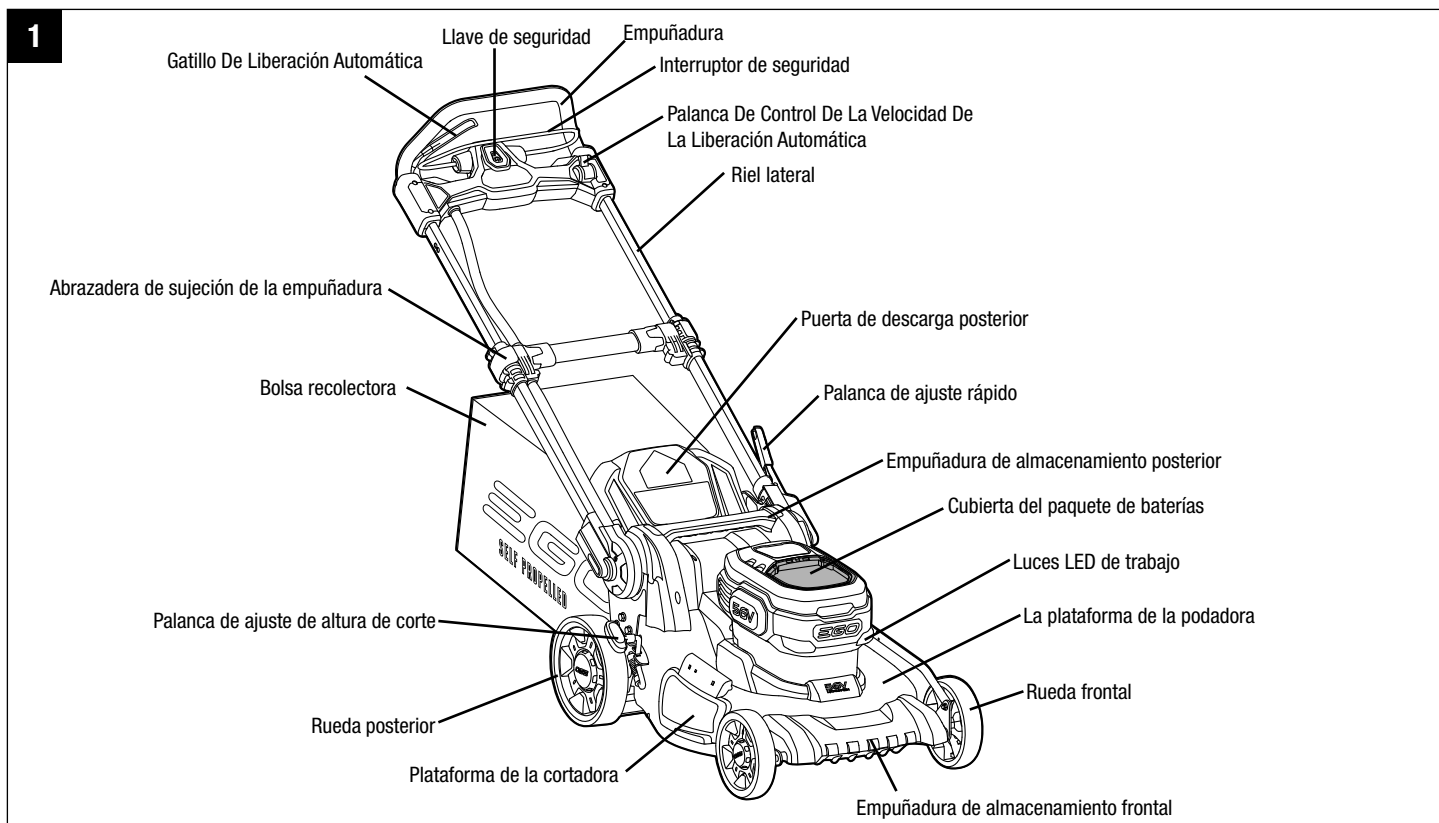
⚠ ADVERTENCIA: Las siguientes piezas se desgastarán con el uso normal. Use solo las piezas de repuesto que se indican a continuación. El uso de piezas que no cumplen con las especificaciones del equipo original podría causar un rendimiento inadecuado y poner en riesgo la seguridad.

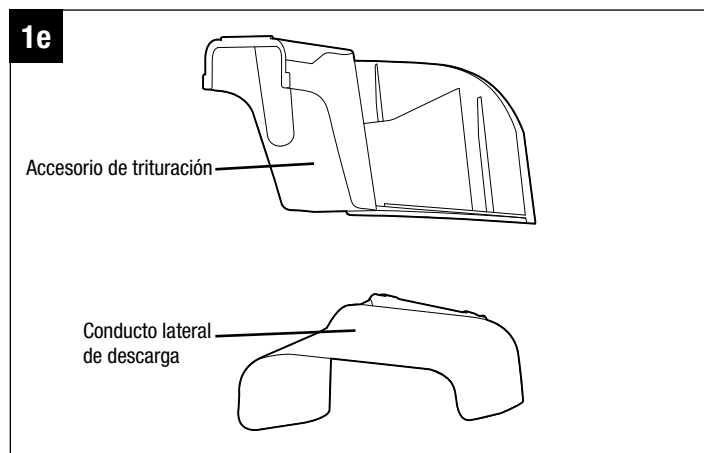
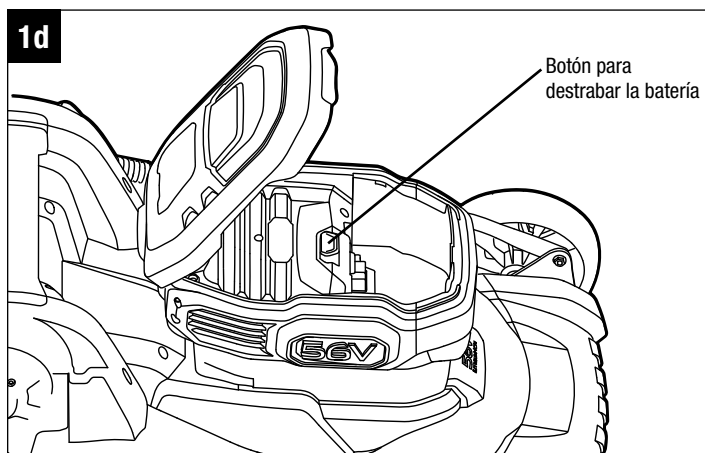
| NOMBRE DE LA PIEZA | NÚMERO DEL MODELO |
|--------------------|-------------------|
| Espada | AB2000 |

LISTA DE EMPAQUE

| NOMBRE DE LA PIEZA | CANTIDAD |
|---|----------|
| Cortadora de césped | 1 |
| Bolsa recolectora | 1 |
| Estructura de la bolsa recolectora | 1 |
| Accesorio de trituración(pre-instalado en la cortadora) | 1 |
| Conducto lateral de descarga | 1 |
| Manual del usuario | 1 |

DESCRIPCIÓN





⚠ ADVERTENCIA: El uso seguro de este producto requiere la comprensión de la información impresa en la herramienta y en el Manual del usuario así como ciertos conocimientos sobre el proyecto a realizar. Antes de usar este producto, familiarícese con todas sus características de operación y reglas de seguridad.

BOTÓN DE SEGURIDAD

Debe presionar el botón de seguridad para poder encender el motor.

INTERRUPTOR DE SEGURIDAD

El interruptor de seguridad está ubicado en la empuñadura superior de la cortadora. Este interruptor engancha y desengancha el motor y la cuchilla.

GATILLO DE LIBERACIÓN AUTOMÁTICA (solo modelo LM2020SP)

Enciende y apaga la función de liberación automática.

PALANCA DE CONTROL DE LA VELOCIDAD DE LA LIBERACIÓN AUTOMÁTICA (solo modelo LM2020SP)

Aumenta o disminuye la velocidad de la liberación automática al mover la palanca de control.

⚠ ADVERTENCIA: El interruptor de seguridad y la llave de seguridad son dispositivos de seguridad. Nunca intente alterar el funcionamiento de estos dispositivos.

FRENO ELÉCTRICO

Detiene el giro de la cuchilla rápidamente cuando se suelta el interruptor de seguridad.

ABRAZADERA DE SUJECIÓN DE LA EMPUÑADURA

Traba y destraba los rieles laterales en la posición extendida o retraída.

RIELES LATERALES

Se pueden extender y trabar para la operación o retraer para el guardado de la cortadora.

PALANCA DE AJUSTE RÁPIDO

Traba y destraba la empuñadura al ajustar el ángulo de la empuñadura de la cortadora:

1. Posición de bloqueo para almacenamiento
2. Posición para colocar o quitar la bolsa recolectora
3. Posición baja para operar
4. Posición media para operar
5. Posición alta para operar

PROTECCIÓN POSTERIOR Y PUERTA DE DESCARGA POSTERIOR

El protector y la puerta de descarga posterior minimizan la posibilidad del contacto accidental con el pie con la hoja. NO haga funcionar la podadora sin el protector ni sin la puerta de descarga posterior en su lugar.

FOCOS CON BOMBILLAS LED

Los focos con bombillas LED están ubicados en el frente de la podadora. Esta característica provee más luz para mejorar la visibilidad.

PALANCA DE AJUSTE DE ALTURA DE CORTE ACCIONADA POR RESORTES

Le permite regular la altura de corte con una mano.

ENSAMBLAJE

⚠ ADVERTENCIA: Para evitar el arranque accidental que podría provocar lesiones personales graves, quite siempre la llave de seguridad y el paquete de baterías de la herramienta antes de ensamblar las piezas.

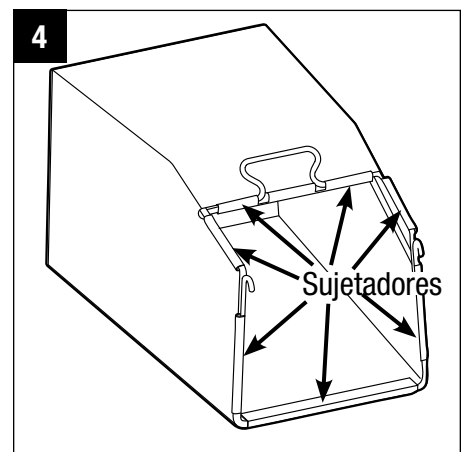
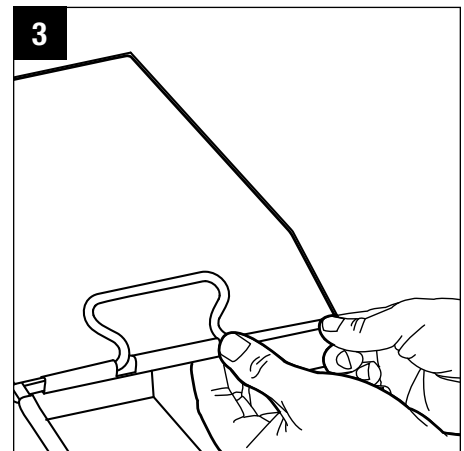
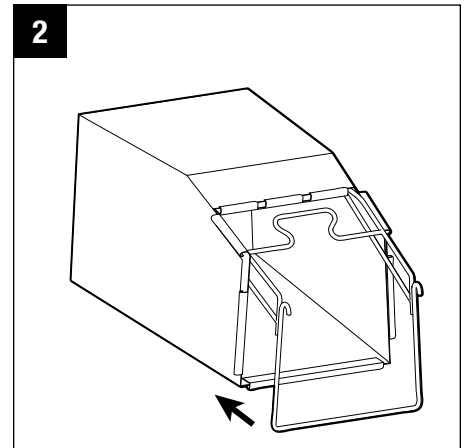
⚠ ADVERTENCIA: No intente modificar esta herramienta ni crear accesorios que no estén recomendados para usar con esta cortadora. Cualquier alteración o modificación representa un uso inadecuado y puede generar condiciones peligrosas que causen lesiones graves.

DESEMBALAJE

- Primero, retire todos los accesorios de la caja, luego tome la parte delantera de la cubierta de la plataforma y la manija posterior al mismo tiempo para levantar cuidadosamente la podadora y retirarla de la caja.
- Inspeccione el producto con cuidado para asegurarse de que no se rompieron o dañaron piezas durante el envío.
- No deseche el embalaje hasta que no haya inspeccionado cuidadosamente la cortadora y sepa que funciona correctamente.
- Si hay alguna pieza dañada o faltante, devuelva la cortadora al lugar donde la compró.

ENSAMBLAJE DE LA BOLSA RECOLECTORA

1. Revise la bolsa recolectora antes de ensamblarla para controlar que no esté dañada.
2. Deslice la bolsa recolectora por el marco, como se muestra en la Fig. 2.
3. Ensamble los sujetadores superiores al marco, como se muestra en la Fig. 3, luego ensamble los dos sujetadores laterales. Finalmente, ensamble el sujetador inferior.
4. En la Fig. 4, se muestra la bolsa recolectora completamente ensamblada.



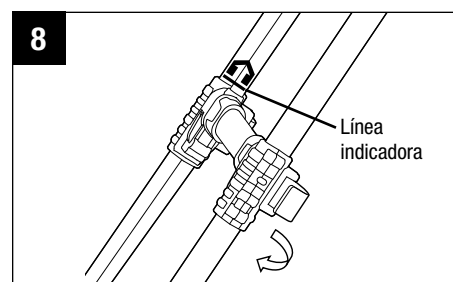
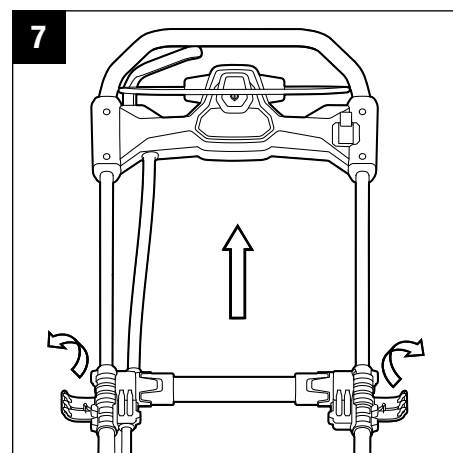
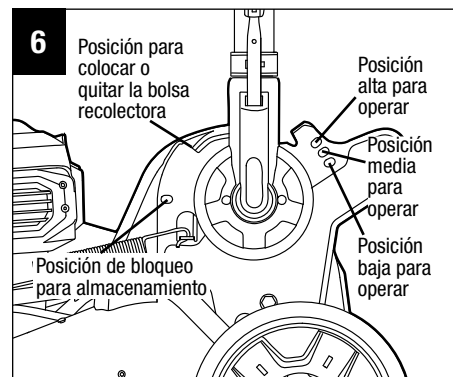
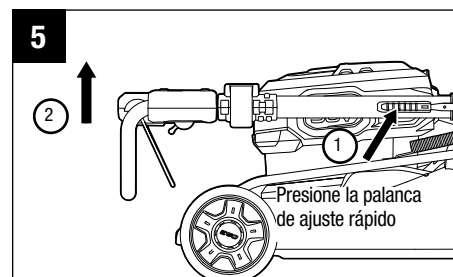
AJUSTE DE LA EMPUÑADURA PLEGABLE

⚠ ADVERTENCIA: No intente encender la podadora si la manija no está trabada en una de las tres posiciones preestablecidas para operar.

1. **POSICIÓN DE BLOQUEO PARA ALMACENAMIENTO:** La cortadora se envía con la empuñadura en la posición bloqueo, compacta (Fig. 5).
2. **POSICIÓN PARA COLOCAR O QUITAR LA BOLSA RECOLECTORA:** Mantenga presionada la palanca de ajuste rápido con la mano derecha para soltar la empuñadura de la posición de bloqueo para almacenamiento. Comience a levantar la empuñadura con la mano izquierda para desplegarla y luego, suelte la palanca (Fig. 5). Gire suavemente la empuñadura hacia arriba hasta que escuche y sienta que el pasador de bloqueo se engancha en la primera posición (Fig. 6). Esta posición permite un acceso fácil para colocar o quitar la bolsa recolectora.
3. **POSICIÓN ALTA PARA OPERAR:** Levante la empuñadura con la mano izquierda. Tire suavemente la empuñadura hacia atrás hasta que escuche y sienta que el pasador de bloqueo se engancha en la posición alta para operar. Extienda completamente los rieles laterales y asegúrese de trabar ambas abrazaderas de sujeción de la empuñadura (Fig. 7 y 8). Los usuarios más altos suelen preferir esta posición.
4. **POSICIÓN MEDIANTE DE OPERACIÓN:** Mantenga presionada la palanca de ajuste rápido con la mano izquierda para liberar el mango de la posición de operación superior. Empiece a bajar el mango con la mano derecha y luego suelte la palanca. Gire suavemente el mango hacia abajo hasta que escuche y sienta que el pasador de bloqueo se acopla en la posición de operación media. Extienda completamente los rieles laterales y cierre firmemente las dos abrazaderas de bloqueo del mango (Fig. 7 y 8).
5. **POSICIÓN BAJA PARA OPERAR:** Mantenga presionada la palanca de ajuste rápido con la mano izquierda para soltar la empuñadura de la posición alta para operar. Comience a bajar la empuñadura con la mano derecha y luego, suelte la palanca. Empuje suavemente la empuñadura hacia abajo hasta que escuche y sienta que el pasador de bloqueo se engancha en la posición baja para operar. Extienda completamente los rieles laterales y asegúrese de trabar ambas abrazaderas de sujeción de la empuñadura (Fig. 7 y 8).

NOTA: Antes de encender el motor, debe seguir los siguientes pasos:

- a) Extienda completamente los rieles laterales.
- b) Asegúrese de trabar ambas abrazaderas verdes de sujeción de la empuñadura.
- c) La manija está trabada en una de las tres posiciones para operar.

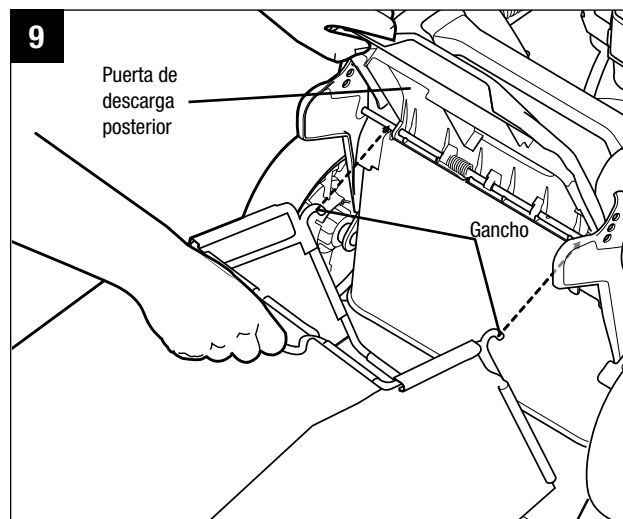


COLOCAR Y QUITAR LA BOLSA RECOLECTORA

⚠ ADVERTENCIA: Bajo ninguna circunstancia realice ajustes a la cortadora de césped sin antes apagar el motor y quitar la llave de seguridad.

AVISO: Retire el accesorio para los compuestos orgánicos antes de colocar la bolsa a la podadora.

1. Retire la batería.
2. Ajuste la empuñadura en la posición para colocar o quitar la bolsa recolectora (consulte la sección “AJUSTE DE LA EMPUÑADURA PLEGABLE”).
3. Levante la puerta de descarga posterior.
4. Enganche el conjunto de la bolsa recolectora en la varilla pivote (Fig. 9). Suelte la puerta de descarga de modo que quede apoyada sobre la bolsa recolectora.
5. Para quitar la bolsa recolectora, levante la puerta de descarga posterior de la cortadora. Levante la bolsa recolectora y sepárela de la varilla pivote.
6. Suelte la puerta de descarga.



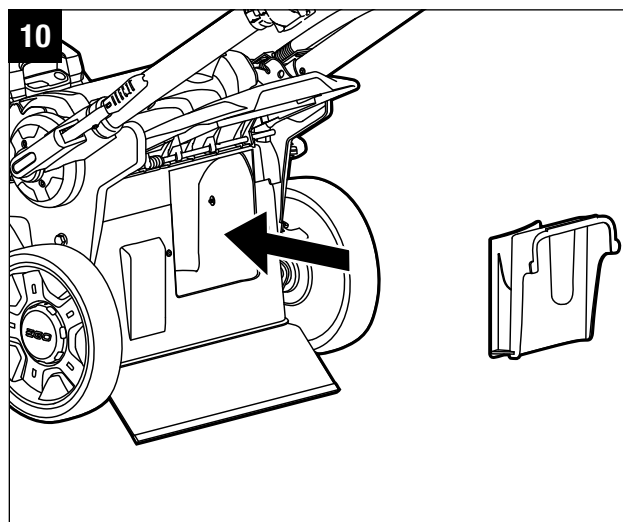
⚠ ADVERTENCIA: Cuando use la bolsa recolectora, no opere la cortadora, a menos que los ganchos que sostienen la bolsa recolectora estén firmemente colocados en la varilla pivote y la puerta posterior de descarga quede apoyada firmemente contra la parte superior de la bolsa recolectora.

⚠ ADVERTENCIA: El material de la bolsa se desgasta con el uso normal. Para reducir el riesgo de lesiones, revise el ensamblaje de la bolsa con frecuencia y reemplácela ante cualquier signo de desgaste o deterioro. Use solamente bolsas recolectoras fabricadas para esta cortadora.

COLOCAR Y QUITAR EL ACCESORIO DE TRITURACIÓN

⚠ ADVERTENCIA: Bajo ninguna circunstancia realice ajustes a la cortadora de césped sin antes apagar el motor y quitar la llave de seguridad.

1. Retire la batería.
2. Levante la puerta de descarga posterior.
3. Tome el accesorio de trituración por la empuñadura e insértelo completamente dentro de la cortadora de modo que quede firmemente colocado (Fig. 10).
4. Para quitar el accesorio de trituración, levante la puerta posterior de descarga, tómelo por la empuñadura y jale hacia afuera.
5. Suelte la puerta de descarga y asegúrese de que quede apoyada firmemente contra el accesorio de trituración.



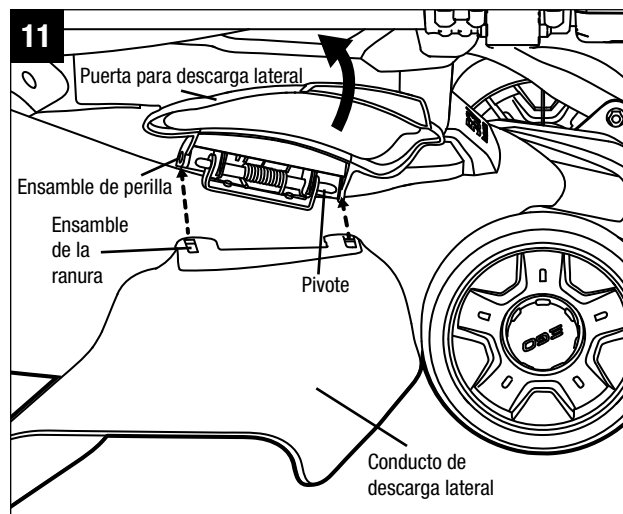
AVISO: Para instalar y usar la bolsa recolectora, debe quitar el accesorio de trituración y volverlo a colocar después de quitar la bolsa recolectora.

COLOCAR Y QUITAR EL CONDUCTO LATERAL DE DESCARGA (Fig. 11)

⚠ ADVERTENCIA: Bajo ninguna circunstancia, realice ajustes a la cortadora de césped sin antes apagar el motor y quitar la llave de seguridad.

Para fijar:

1. Retire la batería.
2. Levante la puerta de descarga lateral.
3. Alinee las ranuras en el conducto de descarga lateral con la perilla en la puerta de descarga lateral.
4. Libere la puerta de descarga lateral con suavidad y permita rotarlo alrededor del pivote hasta que descansa firmemente en el conducto de descarga lateral.



AVISO: El accesorio para los compuestos orgánicos debe instalarse cuando el conducto de descarga lateral ya esté colocado.

Para retirar:

1. Tome el conducto de descarga lateral con una mano y utilice la otra para levantar la puerta de descarga lateral.
2. Retire el conducto y cierre la puerta de descarga lateral hasta que esté en la plataforma de la podadora bien asegurada.

OPERACIÓN

⚠ ADVERTENCIA: No permita que la familiaridad con este producto lo vuelva descuidado. Recuerde que un descuido de una fracción de segundo es suficiente para provocar lesiones graves.

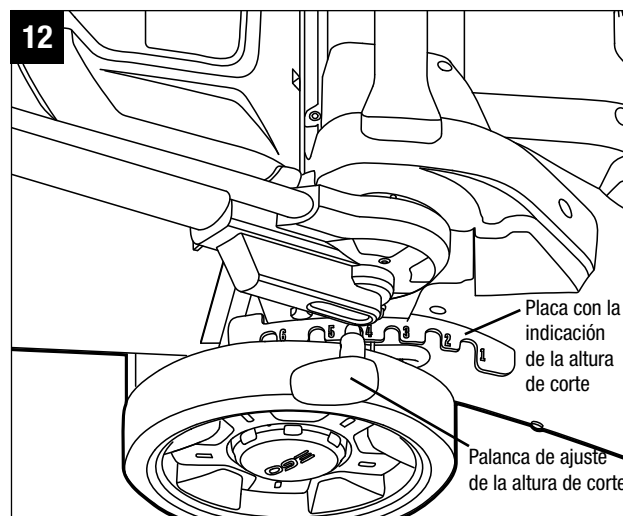
⚠ ADVERTENCIA: Siempre use lentes de protección que cumplan con la norma ANSI Z87.1. De lo contrario, los objetos que salgan despedidos pueden ingresar a los ojos y causar otras lesiones graves.

⚠ ADVERTENCIA: No utilice ningún acoplamiento o accesorio que no sea recomendado por el fabricante de este producto. El uso de acoplamientos o accesorios no recomendados puede producir lesiones personales graves.

AJUSTE LA ALTURA DE CORTE (Fig. 12)

⚠ ADVERTENCIA: Bajo ninguna circunstancia realice ajustes a la cortadora de césped sin antes apagar el motor y quitar la llave de seguridad.

⚠ ADVERTENCIA: Mantenga sus pies alejados de la plataforma mientras ajuste la altura.



La podadora puede ajustarse en 6 posiciones de corte diferentes entre las 1-3/16" (40 mm) y las 4" (100 mm). Elija la altura de corte correcta de acuerdo con el tipo de césped y su condición.

1. Utilice una mano y sostenga el tubo derecho de la manija y utilice la otra mano para mover la palanca de ajuste de altura de corte hacia afuera desde las ranuras en la placa de indicación de la altura de corte.
2. Mueva la palanca de ajuste de altura hacia la parte posterior de la podadora para lograr una mayor altura de corte; muévala hacia la parte delantera de la podadora para lograr una altura menor de corte.
3. Una vez que llegue a la posición de la altura de corte deseada, coloque la palanca de ajuste de altura de corte de vuelta en la ranura.

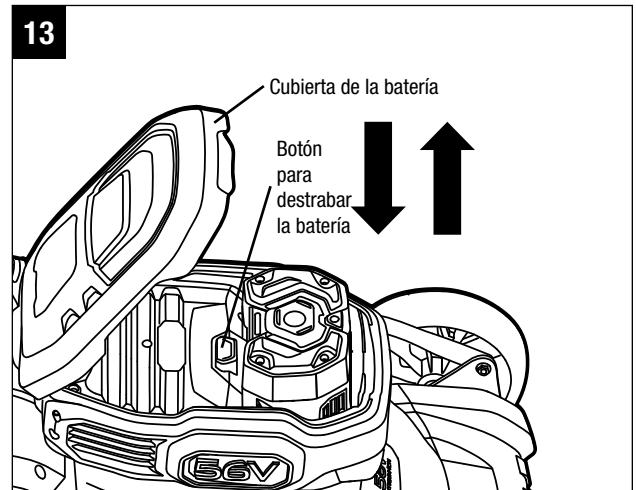
PARA COLOCAR Y QUITAR EL PAQUETE DE BATERÍAS (Fig. 13)

CARGUE ANTES DEL PRIMERO USO

⚠ ADVERTENCIA: Si hay alguna pieza rota o faltante, no intente colocar el paquete de baterías ni operar la cortadora hasta no reemplazar las piezas rotas o faltantes. De lo contrario, se pueden producir lesiones graves.

1. La cubierta de la batería tiene bisagras. Para levantar la cubierta de la batería, debe levantar la parte frontal de la cubierta.
2. Alinee las aletas elevadas de la cortadora con las ranuras del paquete de baterías y luego, insértelo en el compartimiento.
3. Presione el paquete de baterías hasta escuchar un "clic". El botón para destrabar la batería se levantará si la batería está bien colocada.
4. Para desconectar el paquete de baterías, presione el botón para destrabar la batería y luego, retírelo del compartimiento.
5. Cierre la cubierta de la batería.

AVISO: Asegúrese de que las aletas de la cortadora encajen en su lugar y que el paquete de baterías esté bien colocado en la cortadora antes de comenzar a operar.



ENCENDER Y APAGAR LA CORTADORA (Fig. 14, 15 y 16)

⚠ ADVERTENCIA: La operación de cualquier cortadora de césped puede causar que se disparen objetos extraños hacia sus ojos o los de otra persona, lo que puede resultar en daños graves a la vista. Use siempre gafas de seguridad mientras opere la cortadora o mientras realice cualquier ajuste o reparación.

⚠ ADVERTENCIA: Evite que otras personas y las mascotas se acerquen a menos de 100 pies (30 m) del área donde se use la cortadora.

⚠ ADVERTENCIA: La cuchilla seguirá girando unos segundos después de que se apague la cortadora. Deje que el motor y la cuchilla se detengan antes de volver a encenderlos. No encienda y apague la cortadora rápidamente.

⚠ PRECAUCIÓN: No intente anular la operación de la llave de seguridad ni del interruptor de seguridad.

AVISO: Antes de encender el motor, debe seguir los siguientes pasos:

- Extienda completamente los rieles laterales.
- Asegúrese de trabar ambas abrazaderas verdes de sujeción de la empuñadura.
- La manija está trabada en una de las tres posiciones para operar.

Para arrancar la cortadora

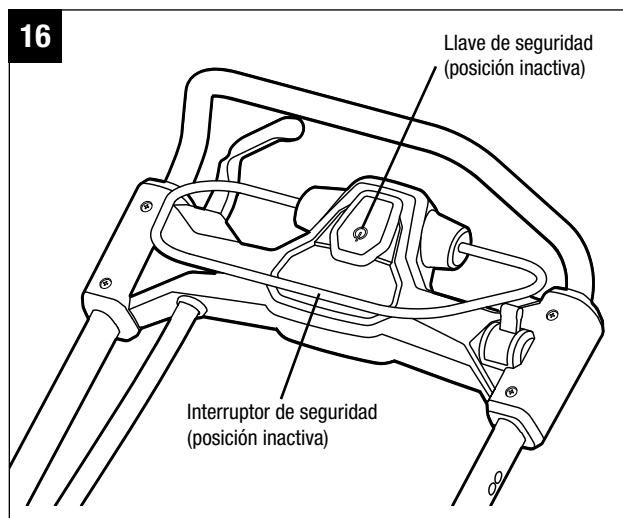
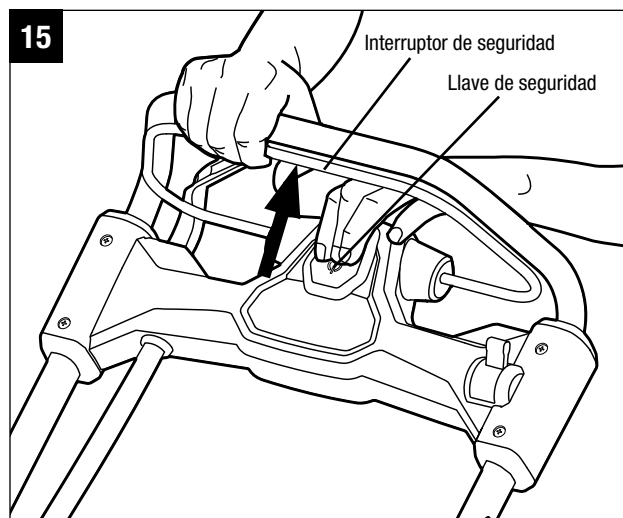
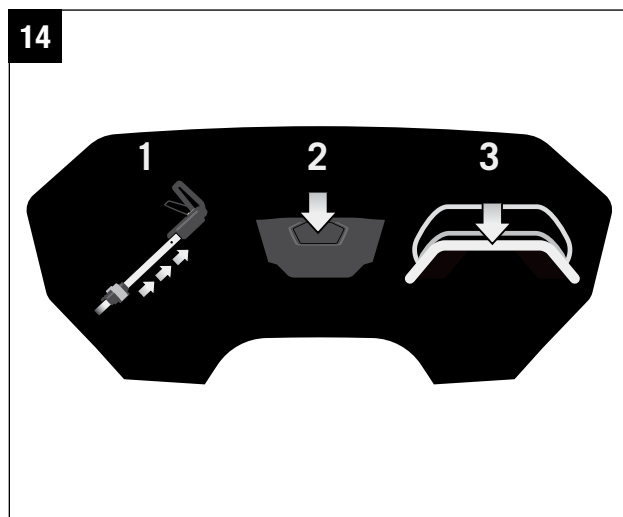
1. Coloque el paquete de baterías en la cortadora y cierre la cubierta de la batería.

AVISO: Asegúrese de que las aletas de la cortadora encajen en su lugar y que el paquete de baterías esté bien colocado en la cortadora antes de comenzar a operar.

2. Presione el botón de seguridad (Fig. 14 y 15).
3. Sin dejar de presionar la llave de seguridad, jale el interruptor de seguridad hacia arriba, en dirección a la empuñadura, y suelte la llave de seguridad. (Fig. 15).
4. La cortadora arrancará.

Para detener la cortadora

1. Suelte el interruptor de seguridad (Fig. 16).
2. Después de 3 segundos de haber soltado el interruptor de seguridad, el freno eléctrico del mecanismo de freno automático detendrá la rotación de la cuchilla.



SISTEMA DE LIBERACIÓN AUTOMÁTICA DE VELOCIDAD VARIABLE (solo para LM2020-SP)

La podadora LM2020-SP tiene la función de liberación automática de velocidad variable. Este sistema es independiente del interruptor de encendido y apagado de la cuchilla, y no depende de la rotación de la cuchilla. Por ejemplo, una vez que haya terminado de cortar el césped, puede usar la función de liberación automática para llevar la podadora a la ubicación de almacenaje sin que la cuchilla rote. O bien, puede usar la podadora como una podadora sin liberación automática para maximizar el tiempo de funcionamiento de la batería.

Para manejar el sistema de liberación automática sin que la cuchilla rote, jale el gatillo de liberación automática hacia la manija.

Para desactivar la liberación automática, suelte el gatillo de liberación automática (Fig. 17). El sistema tiene velocidad variable. Para aumentar la velocidad, mueva la palanca de control de velocidad de la liberación automática hacia delante. Para disminuir la velocidad, mueva la palanca de control de velocidad de la liberación automática hacia atrás.

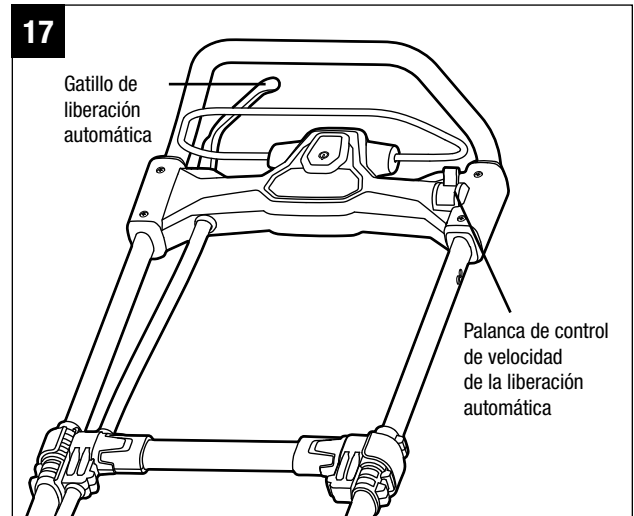
Para operar con la rotación de la cuchilla para cortar, haga lo siguiente:

1. Presione el botón de seguridad.
2. Sin dejar de presionar el botón de seguridad, jale el interruptor de seguridad hacia arriba, en dirección a la manija, y suelte el botón de seguridad.
3. Sostenga el interruptor de seguridad contra la manija con la mano izquierda. Jale el gatillo de liberación automática hacia la manija con la mano derecha.
4. Con la mano derecha, sostenga el interruptor de seguridad y el gatillo de liberación automática contra la manija y, con la mano izquierda, ajuste la palanca de control de velocidad de la liberación automática para elegir la velocidad deseada.

AVISO: Cuando desactiva la liberación automática, por ejemplo, al final de una fila, es posible que se bloquee temporalmente si jala la podadora hacia atrás. Solo debe empujar ligeramente hacia delante y, luego, mover la podadora, según sea necesario.

AVISO: Durante el corte, por momentos, es posible que sea más fácil cortar el césped alrededor de un objeto con la liberación automática desactivada.

⚠ ADVERTENCIA: Para reducir el riesgo de lesión, nunca intente anular la operación del interruptor o del sistema de liberación automática. Use la liberación automática solo para lo que fue diseñada.



LUCES LED DE TRABAJO (Fig. 18)

Las luces LED de trabajo están ubicadas en el frente del compartimiento para la batería.

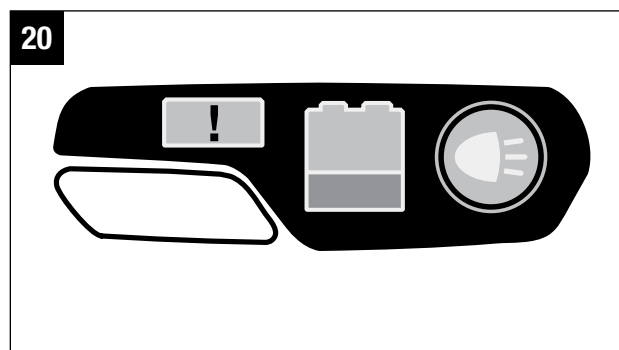
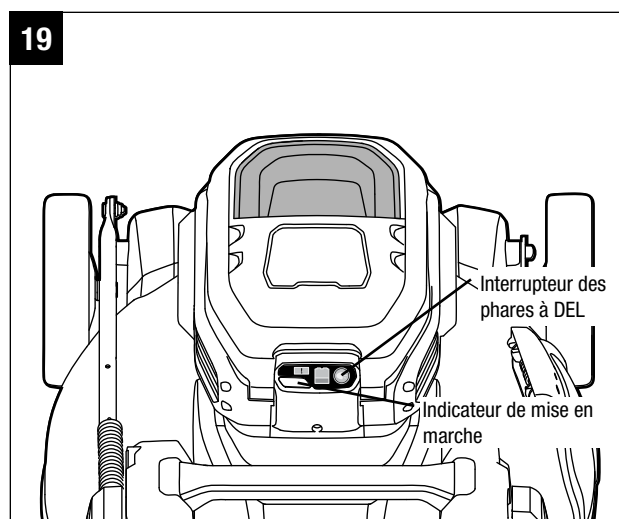
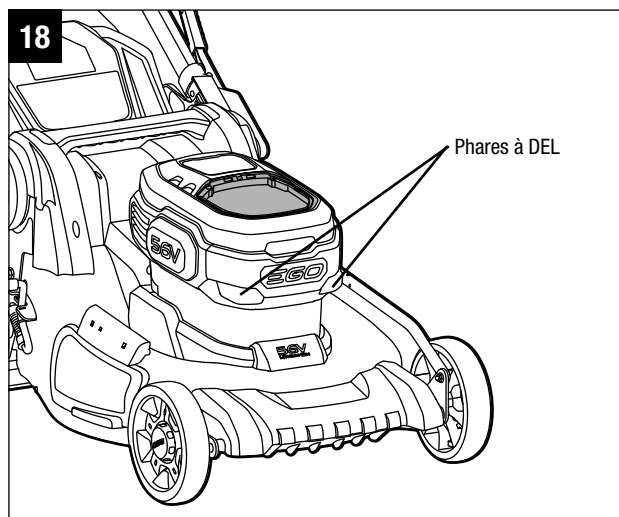
Para encender las luces, presione el botón interruptor (Fig. 19). Las luces de trabajo brindan una luz brillante en la parte frontal de la cortadora.

Para apagar las luces de trabajo, vuelva a presionar el botón interruptor.

INDICADOR DE ENCENDIDO DE LA CORTADORA (Fig. 19 y 20)

La cortadora cuenta con un indicador de encendido que indica el estado de la carga del paquete de baterías y el estado de funcionamiento de la cortadora. El indicador de encendido se iluminará cuando la cuchilla esté girando o cuando las luces de trabajo LED se enciendan.

- La luz verde indica que el paquete de baterías supera el 15 % de su capacidad de carga.
- La luz roja indica que el paquete de baterías tiene bajo voltaje.
- La luz roja parpadeante indica que el paquete de baterías está prácticamente agotado y debe cargarse de inmediato.



| Indicador de encendido | Significado | Acción |
|------------------------|---|--|
| Luz verde | La cortadora funciona correctamente, la batería tiene al menos el 15 % de su carga | N/C |
| Luz roja | Batería baja | Detenga la cortadora y cargue el paquete de baterías. |
| Rojo parpadeante | La batería está prácticamente agotada. | Detenga la cortadora y cargue el paquete de baterías. |
| Luz naranja | La podadora se detiene debido a un sobrecalentamiento de la batería o de la podadora. | Retire la batería de la cortadora, llévelas a la sombra y enfríelas durante al menos 15 minutos. |
| Naranja parpadeante | La cortadora está sobrecargada. | Reduzca el ritmo o eleve la altura de corte para disminuir la carga. |

PROTECCIÓN CONTRA SOBRECARGAS DE LA CORTADORA

Para evitar daños ocasionados por situaciones de sobrecarga, no intente cortar demasiado césped de una sola vez. Reduzca el ritmo de corte o eleve la altura de corte.

Su podadora cuenta con una protección de circuito contra sobrecargas integrada. Si la podadora se sobrecarga, el motor se detendrá y el indicador de encendido titilará de color naranja. Retire el paquete de baterías de la podadora. Controle que el césped se haya acumulado debajo de la plataforma y, si es necesario, limpie el área, instale la batería y vuelva a encender la podadora.

PROTECCIÓN DE LA BATERÍA CONTRA LA ALTA TEMPERATURA

El paquete de baterías generará calor durante el funcionamiento. El calor se disipa más lentamente en un clima caluroso. Si la temperatura de la batería excede los 158 °F (70 °C) durante el funcionamiento, el circuito de protección apagará la podadora inmediatamente para evitar que el calor dañe el paquete de baterías. El indicador de encendido de la podadora brillará de color naranja y la luz LED de la batería titilará de color naranja.

Suelte la empuñadura de seguridad, espere hasta que el paquete de baterías se enfríe hasta alcanzar aproximadamente los 152 °F (67 °C) y luego, vuelva a encender la cortadora.

CONSEJOS PARA CORTAR

AVISO: Una cuchilla filosa mejora ampliamente el rendimiento de la cortadora, en especial para cortar el césped alto. Asegúrese de controlar el filo de la cuchilla antes de cortar.

- Verifique que no haya rocas, palos, alambres u otros objetos en el jardín que podrían dañar la cortadora o el motor de la máquina. Tales objetos podrían dispararse, accidentalmente, en cualquier dirección y podrían causar lesiones graves tanto al usuario como a otras personas.

⚠ ADVERTENCIA: Si golpea un objeto extraño, detenga el motor, retire la llave de seguridad y saque la batería. Inspeccione minuciosamente para ver si la máquina está dañada y repare el daño antes de volver a encender y operar la cortadora. La vibración excesiva de la cortadora durante su funcionamiento advierte un daño. Se debe inspeccionar y reparar la unidad lo antes posible.

- Para obtener mejores resultados, no corte en círculos. Desplácese hacia adelante y hacia atrás a lo largo del jardín.
- Para cortar césped grueso, reduzca el ritmo para que el corte sea más efectivo y para que se descarguen los recortes de césped adecuadamente.
- Si desea un césped más sano, corte siempre un tercio o menos de su longitud total. La longitud promedio del césped debe ser de entre 1-1/2 pulg y 2 pulg durante los meses fríos, y entre 2 pulg y 3-1/4 pulg durante los meses de calor. Si crece, debe cortar el césped durante el otoño.

INDICADOR DE PENDIENTE (Fig. 21)

⚠ ADVERTENCIA: No corte en una pendiente con un ángulo superior a los 15° (una elevación de aproximadamente 2 1/2 pulg [0,75 m] cada 10 pulg [3 m]). Corte de forma transversal a la pendiente y nunca hacia arriba ni hacia abajo. Use Fig. 21 como guía para identificar las pendientes que no pueden cortarse de modo seguro.

CONSEJOS PARA TRITURAR

⚠ ADVERTENCIA: Inspeccione el área donde usará la cortadora y quite todas las rocas, palos, alambres y otros residuos que puedan ser arrojados por la cuchilla giratoria.

- Suelte el interruptor y apague la cortadora antes de cruzar un área con gravas o piedras que puedan ser arrojadas por la cuchilla giratoria.
- Para cortar el césped en terrenos irregulares o con malezas altas, seleccione la máxima altura de corte.
- Para que la trituración sea efectiva, evite cortar el césped mojado porque suele adherirse a la parte inferior de la plataforma y los recortes de césped no se Trituran de modo adecuado. La mejor hora para cortar el césped es la última hora de la tarde porque el césped está seco, y el área recién cortada no queda expuesta a la luz solar directa.
- Para lograr un rendimiento óptimo del accesorio de trituración, ajuste la altura de corte para que sea de aproximadamente un tercio de la longitud de la cuchilla; en lo posible, no debe superar la 1 1/2 pulg por vez. Si el césped está muy crecido, probablemente sea necesario aumentar la altura de corte para que sea más fácil cortar y evitar así la sobrecarga del motor. Reduzca el ritmo de corte donde el césped esté más alto o sea más grueso. Para triturar el césped extremadamente grueso o alto, es recomendable hacer un primer corte con un ajuste de la altura de corte alto y luego volver a cortar usando la altura de corte final. Otra opción es realizar cortes más angostos y llevarlos a cabo lentamente. **ASEGÚRESE SIEMPRE DE QUE LA CUCHILLA ESTÉ AFILADA.**

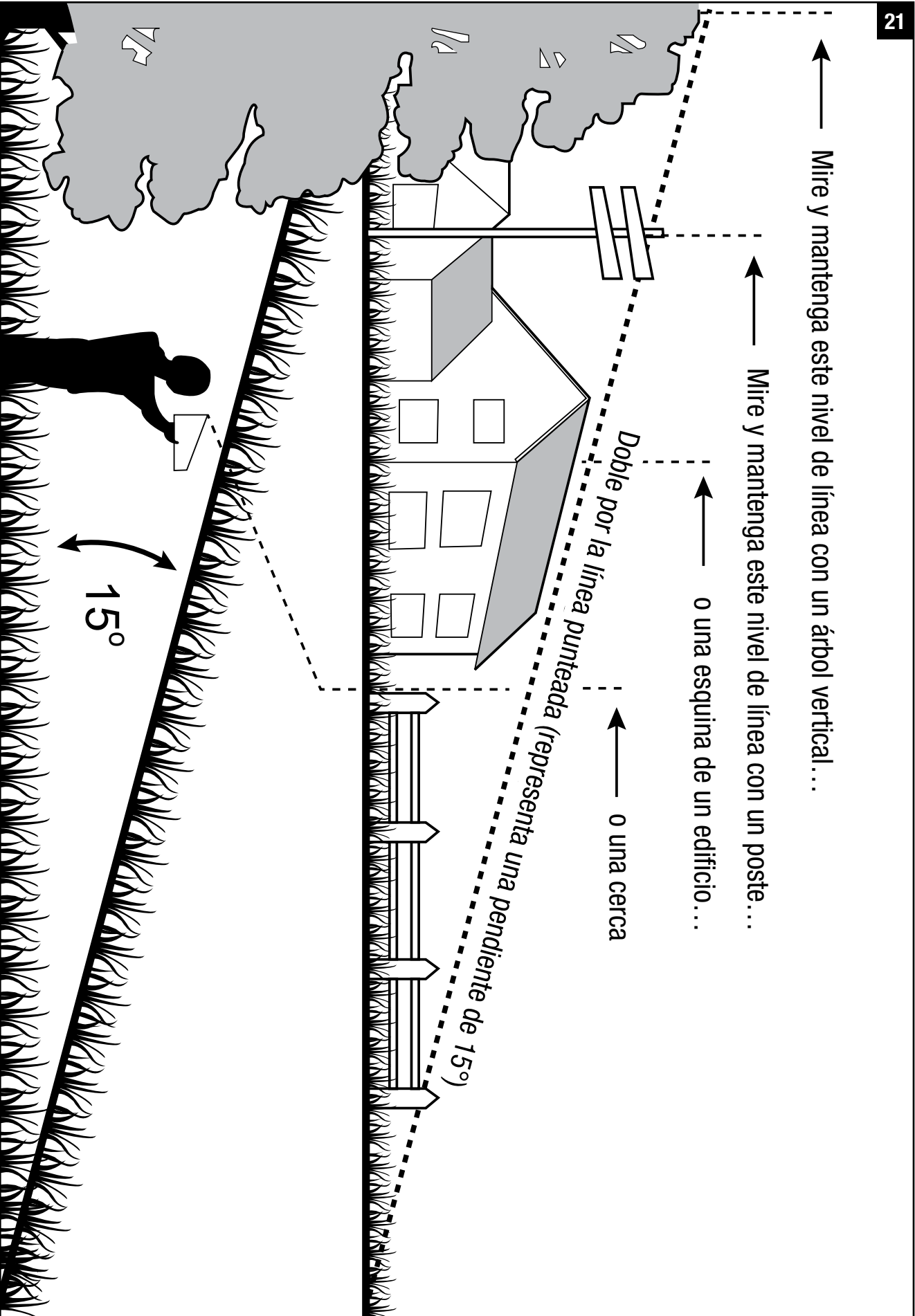
— Mire y mantenga este nivel de línea con un árbol vertical...

— Mire y mantenga este nivel de línea con un poste...

— o una esquina de un edificio...

— o una cerca

Doble por la línea punteada (representa una pendiente de 15°)



15°

MANTENIMIENTO

⚠ ADVERTENCIA: Para evitar lesiones personales graves, quite siempre la llave de seguridad y el paquete de baterías de la cortadora antes de limpiarla o de realizar cualquier tipo de mantenimiento.

⚠ ADVERTENCIA: Cuando realice el mantenimiento, solo use piezas de repuesto idénticas. El uso de otras piezas puede generar un peligro o dañar el producto. Para garantizar la seguridad y confiabilidad, todas las reparaciones las debe realizar un técnico calificado.

CÓMO LIMPIAR LA CORTADORA

⚠ ADVERTENCIA: Para reducir el riesgo de descarga eléctrica, no exponga la cortadora al agua. Para transportar la cortadora o realizar su mantenimiento, quite siempre la llave de seguridad y el paquete de baterías.

Debe limpiar la parte inferior de la plataforma después de cada uso, ya que pueden acumularse recortes de césped, hojas, suciedad y otros residuos. Se debe evitar esta acumulación ya que puede generar óxido y corrosión.

Retire el césped y las hojas acumuladas en el eje de la unidad o a su alrededor (solo LM2020SP) y el ventilador del motor (sin usar agua). Limpie la podadora con un paño húmedo.

CÓMO QUITAR LA CUCHILLA

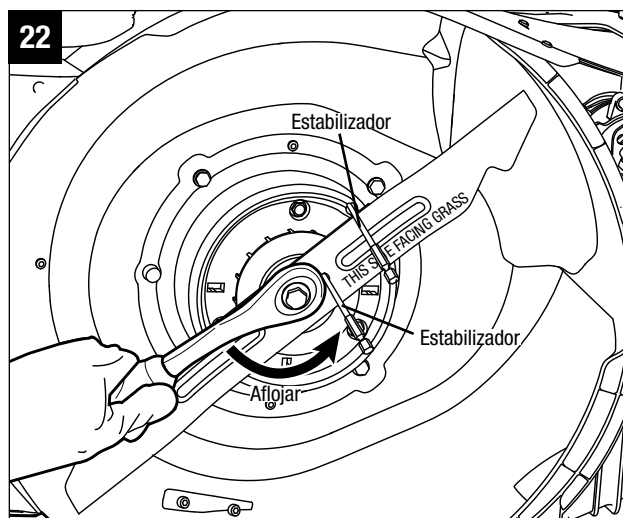
⚠ ADVERTENCIA: Proteja las manos con guantes resistentes o envuelva los bordes de corte con paños u otro material al realizar el mantenimiento de la cuchilla de la cortadora. Para transportar la cortadora o realizar su mantenimiento, quite siempre la llave de seguridad y el paquete de baterías.

AVISO: Para reemplazar la cuchilla necesitará las siguientes herramientas: llave de 9/16 pulg (14 mm), llave de torsión y dos destornilladores manuales o dos varillas de metal con un diámetro de 5/16 pulg (8 mm) o menos y 1/4 pulg (6,35 mm) o menos.

1. Detenga el motor, retire la llave de seguridad y el paquete de baterías de la cortadora.
2. Coloque la cortadora de costado.
3. Sin sacarse los guantes protectores, coloque una varilla de metal (p. ej., una broca de 3,5") con un diámetro inferior a 5/16" (8 mm) dentro del orificio de fijación para que actúe como estabilizador (Fig. 22).

AVISO: Si al aflojar la tuerca, esta gira con el eje del motor, gire el ventilador con la mano para alinear los orificios circulares del ventilador con los orificios de la cuchilla y coloque otra varilla de metal (p. ej., una broca de 3,5") con un diámetro inferior a 1/4 pulg (6,35 mm) en los orificios alineados para que actúe como otro estabilizador (Fig. 22).

4. Use una llave de 9/16 pulg (14 mm) para girar la tuerca de la cuchilla en dirección contraria a las manecillas del reloj para desajustarla.
5. Siga usando la llave de 9/16 pulg (14 mm) para girar la tuerca de la cuchilla en dirección contraria a las manecillas del reloj para desajustarla completamente.



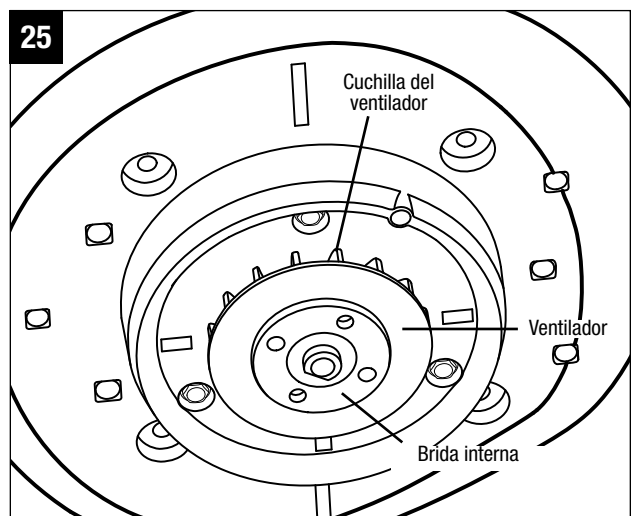
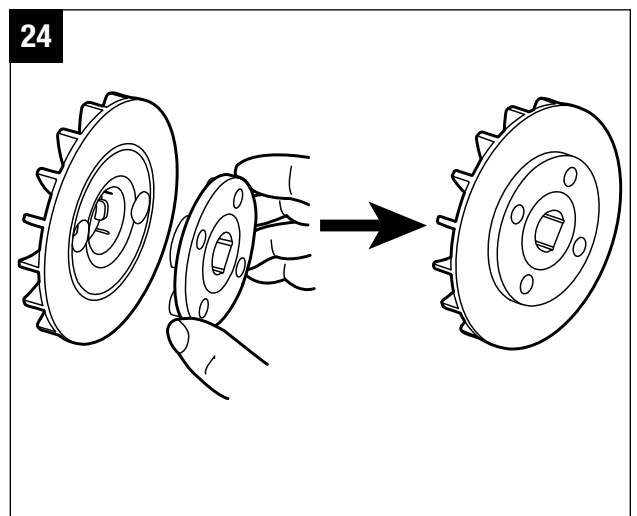
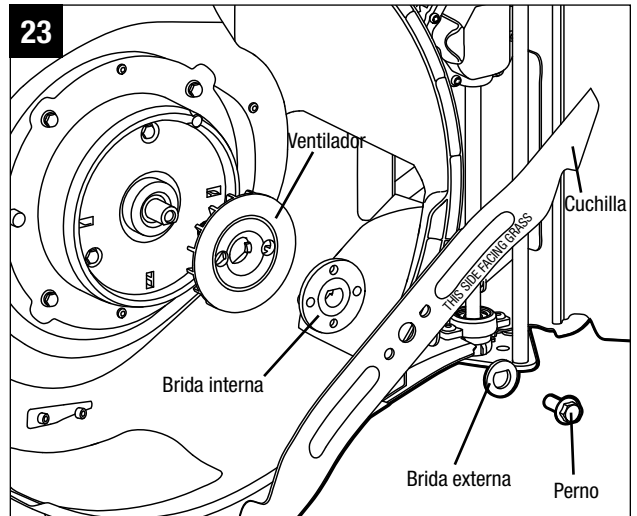
6. Sin sacarse los guantes protectores, retire el perno, la brida exterior y la cuchilla (Fig. 23).

CÓMO INSTALAR LA CUCHILLA

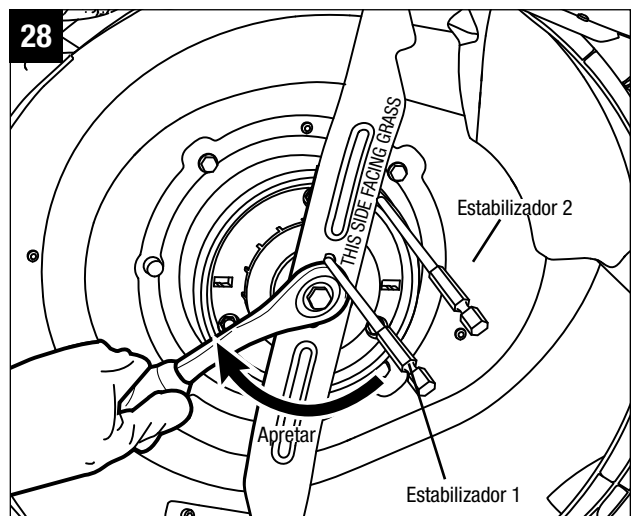
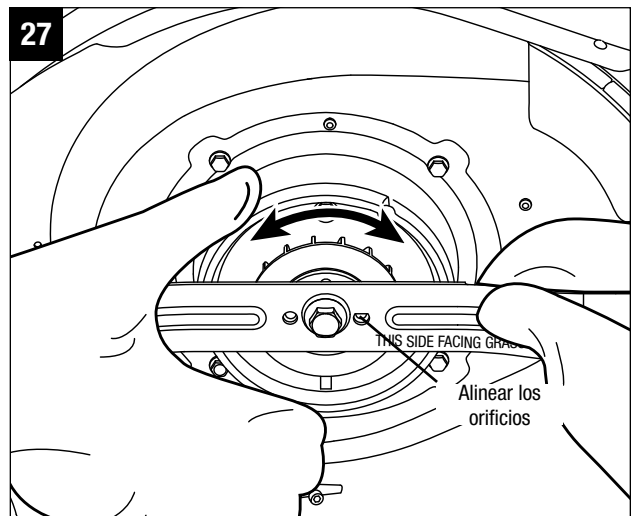
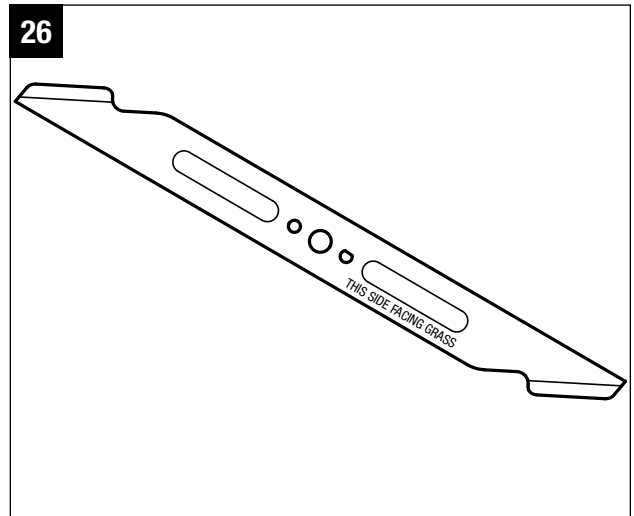
⚠ ADVERTENCIA: Proteja las manos con guantes resistentes o envuelva los bordes de corte con paños u otro material al realizar el mantenimiento de la cuchilla de la cortadora. Para transportar la cortadora o realizar su mantenimiento, quite siempre la llave de seguridad y el paquete de baterías.

AVISO: Para reinstalar o para reemplazar la cuchilla, asegúrese de que las piezas estén exactamente en el mismo orden en que las quitó (Fig. 23).

1. Coloque la brida interna en el ventilador (Fig. 24).
2. Instale el ventilador y la brida interna en el eje del motor con la cuchilla del ventilador orientada hacia la plataforma (Fig. 25).



3. Sin sacarse los guantes protectores, coloque la cuchilla sobre la brida interna con la superficie que dice "THIS SIDE FACING GRASS" (ESTE LADO HACIA EL CÉSPED) hacia el exterior (Fig. 26).
4. Alinee la brida externa con el eje y ensámblela en su lugar.
5. Coloque el perno en el eje y gírelo con la mano en dirección de las manecillas del reloj para preajustarlo.
6. En portant toujours des gants de protection, tenez la lame d'une main et tournez le ventilateur de l'autre pour aligner les trous de la lame sur les trous débouchants du collet intérieur (Fig. 27).
7. Placez une tige en métal (par exemple, un embout de vissage de 88,9 mm [3,5 po] de long) d'un diamètre maximal de 6,35 mm (1/4 po) dans les trous alignés pour stabiliser la lame. Placez une autre tige en métal (par exemple, un embout de vissage de 88,9 mm [3,5 po] de long) d'un diamètre maximal de 8 mm (5/16 po) dans le trou de fixation pour stabiliser la lame (Fig. 28).
8. Use una llave de torsión de 9/16 pulg (14 mm) (no incluida) para girar la tuerca en dirección de las manecillas del reloj. La torsión recomendada para el perno de la cuchilla es 36-43 pies libras (49-59 Nm).



CÓMO AFILAR LA CUCHILLA

⚠ ADVERTENCIA: Proteja las manos con guantes resistentes o envuelva los bordes de corte con paños u otro material al realizar el mantenimiento de la cuchilla de la cortadora. Para transportar la cortadora o realizar su mantenimiento, quite siempre la llave de seguridad y el paquete de baterías.

⚠ ADVERTENCIA: Use la protección ocular adecuada para quitar, afilar y colocar la cuchilla.

⚠ ADVERTENCIA: Si la cuchilla está gastada, rajada o dañada, se puede romper y las piezas de la cuchilla rota pueden convertirse en peligrosos proyectiles. Los objetos arrojados pueden causar lesiones graves. Inspeccione la cuchilla regularmente y no opere la cortadora si la cuchilla está gastada o dañada.

AVISO: Mantenga la cuchilla afilada para obtener un mejor rendimiento de la cortadora. Una cuchilla desafilada no produce un corte limpio del césped ni tritura correctamente.

Si la cuchilla está desafilada se puede afilar, pero si está excesivamente gastada, doblada, rajada o dañada de alguna forma, se debe reemplazar. Una cuchilla gastada o dañada puede romperse y las piezas de la cuchilla pueden dispararse de la cortadora.

Si las cuchillas están dobladas, lleve la cortadora de césped a un centro de servicio de EGO autorizado para que la revisen.

FRECUENCIA DE AFILADO

En circunstancias normales, se recomienda afilar la cuchilla dos veces durante la temporada de corte. La arena desafilá rápidamente la cuchilla. Si su jardín tiene suelo arenoso, es posible que deba afilar la cuchilla con más frecuencia.

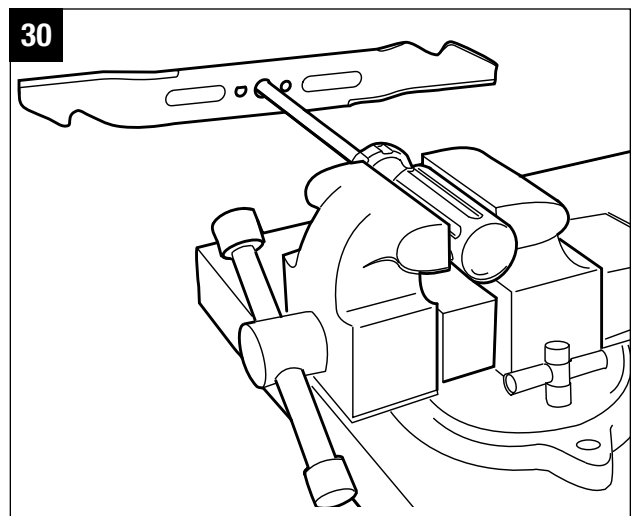
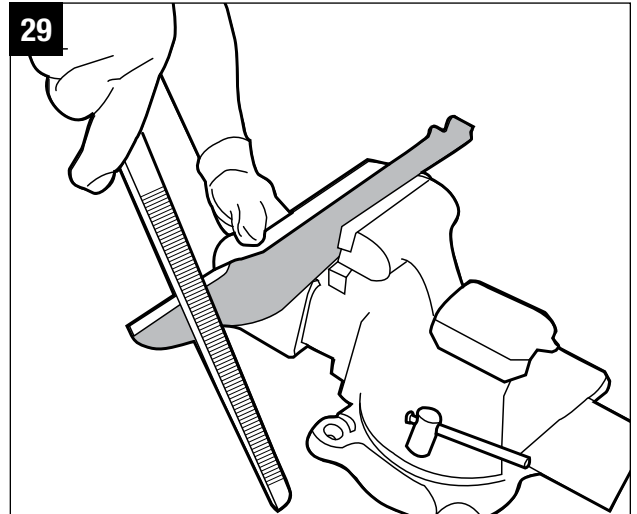
CUÁNDO AFILAR LA CUCHILLA:

- Asegúrese de que la cuchilla se mantenga equilibrada.
- Afile la cuchilla en el ángulo de corte original.
- Afile los bordes de corte en ambos extremos de la cuchilla y quite la misma cantidad de material en ambos extremos.

PARA AFILAR LA CUCHILLA EN UNA PRENSA:

1. Quite la cuchilla de la cortadora (consulte la sección “CÓMO RETIRAR DE LA CUCHILLA”).
2. Asegure la cuchilla en una prensa (Fig. 29).
3. Use guantes y protección ocular adecuada, y tenga cuidado de no cortarse.
4. Lime cuidadosamente los bordes de corte de la cuchilla con una lima de dientes finos o una piedra de afilar, manteniendo el borde de corte original.
5. Siga los siguientes pasos para verificar la simetría de la cuchilla: Coloque un clavo o un destornillador de vástago redondo en posición horizontal. Coloque el agujero central de la cuchilla sobre el clavo o destornillador de modo que esta quede sostenida. Equilibre la cuchilla en posición horizontal. Si alguno de los extremos de la cuchilla gira hacia abajo, lime ese extremo pesado o liviano hasta que la cuchilla quede equilibrada. La cuchilla está equilibrada cuando ninguno de los extremos gira hacia abajo (Fig. 30).
6. Reemplace la cuchilla de la cortadora y ajústela firmemente (consulte la sección “CÓMO INSTALAR LA CUCHILLA”).

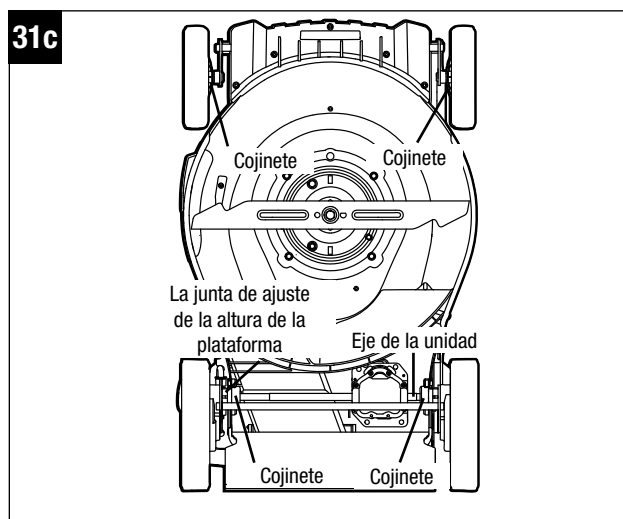
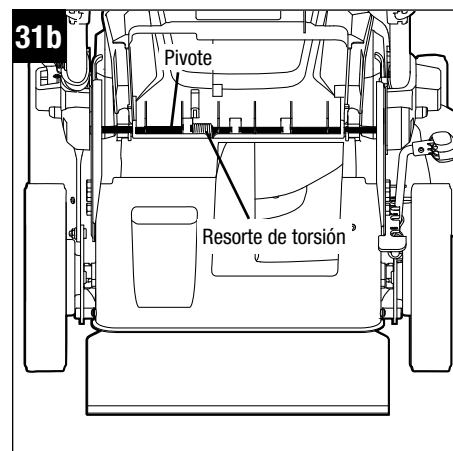
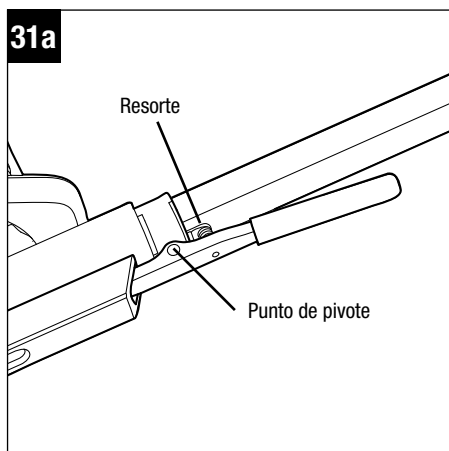
⚠ ADVERTENCIA: Si la cuchilla no tiene simetría, vibrará excesivamente cuando gire a alta velocidad. Puede provocar daños a la cortadora, y esta se puede romper y causar lesiones personales.



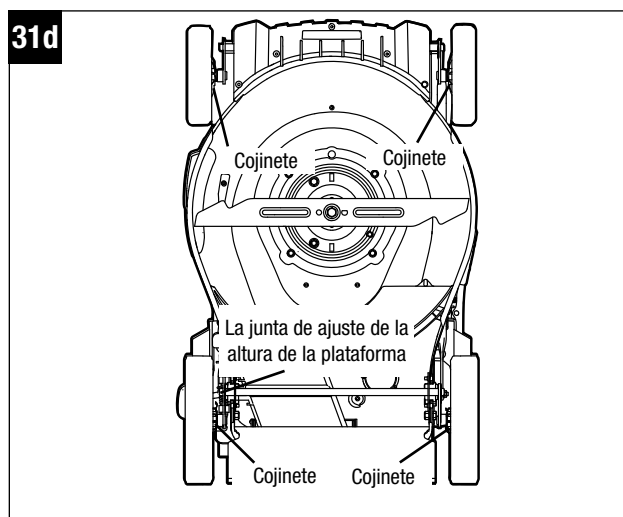
LUBRICACIÓN

Lubrique con aceite ligero según se indica a continuación al menos una vez en cada estación.

- Lubrique el resorte y el punto de pivote de la palanca de ajuste rápido, el resorte de torsión y el pivote de la puerta de descarga posterior, periódicamente, con aceite ligero para evitar que se oxide (Fig. 31a y 31b).
- Para colocar la podadora en la posición de almacenaje trabada, haga lo siguiente:
 1. Mueva la palanca de ajuste de la altura del corte hacia la parte delantera y posicóñela en la configuración más baja (configuración 1).
 2. Abra las abrazaderas de sujeción de la manija y retraiga completamente los rieles laterales para lograr una posición compacta.
 3. Mantenga presionada la palanca de ajuste rápido con la mano derecha para soltar la manija.
 4. Gire suavemente la manija hacia el frente de la podadora, suelte la palanca de ajuste rápido y siga girando la manija hasta que escuche y sienta que el pasador de bloqueo se engancha en la posición de bloqueo para almacenaje.
- Coloque la podadora plegada en posición vertical en el suelo (Fig. 31c y 31d).
- Lubrique la junta de ajuste de la altura de la plataforma.
- Para el modelo LM2020SP, lubrique los cojinetes del eje de la unidad cerca de las ruedas posteriores y los cojinetes de las ruedas delanteras (Fig. 31c).
- Para el modelo LM2020, lubrique los cojinetes de las ruedas posteriores y delanteras (Fig. 31d).



Para LM2020SP



Para LM2020

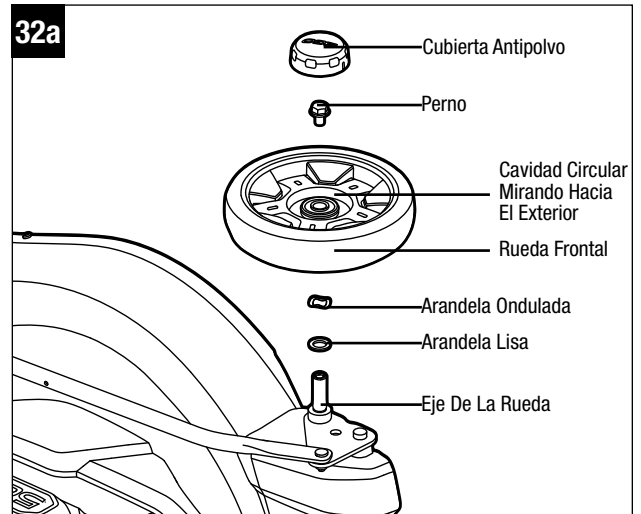
CÓMO REEMPLAZAR LAS RUEDAS (Fig. 32a, 32b y 32c)

⚠ ADVERTENCIA: Para transportar la cortadora o realizar su mantenimiento, quite siempre la llave de seguridad y el paquete de baterías.

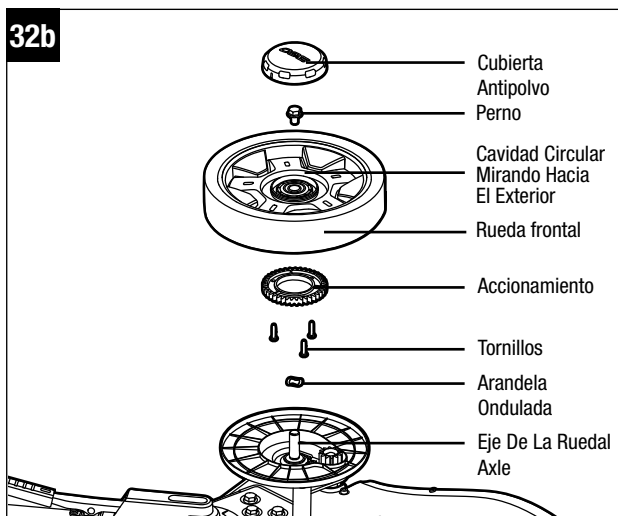
1. Ponga la podadora de lado con la superficie superior contra la pared.
2. Use un destornillador de punta plana para sacar la cubierta antipolvo de la rueda.
3. Use una llave ajustable o una llave de 1/2 pulg (13 mm) para girar el perno en dirección contraria a las agujas del reloj para desajustarla.
4. Quite el perno, la rueda gastada y la arandela ondulada del eje de la rueda.

AVISO: Al cambiar la rueda posterior de la podadora autopropulsada (LM2020SP), retire el accionamiento de la rueda gastada y ensamble en la rueda nueva con los 3 tornillos.

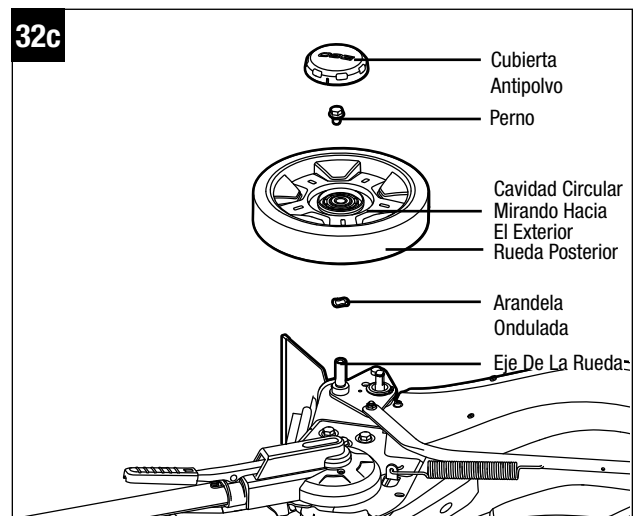
5. Monte la arandela ondulada y la nueva rueda en el eje de la rueda. Tenga en cuenta que la cavidad circular debe mirar hacia el exterior.
6. Gire el perno en dirección a las agujas del reloj para ajustar la rueda.
7. Monte la cubierta antipolvo sobre la rueda y presiónela.



Rueda delantera para LM2020 y LM2020SP



Rueda posterior para LM2020SP



Rueda posterior para LM2020

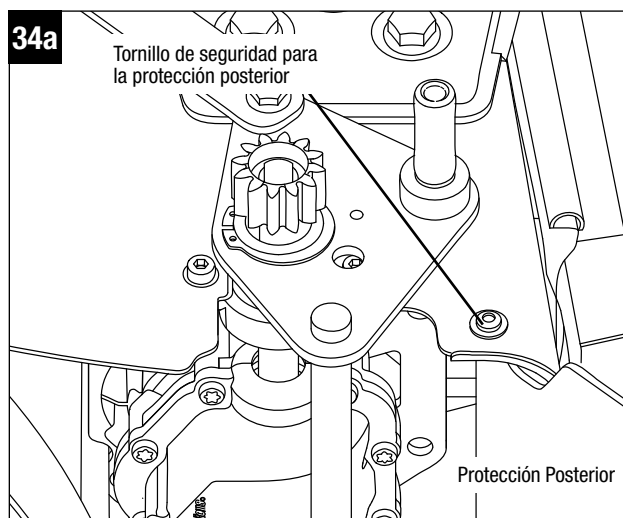
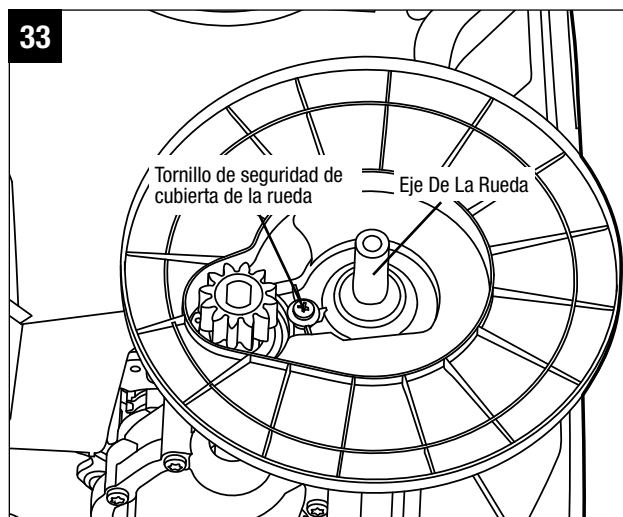
CÓMO REEMPLAZAR LA PROTECCIÓN POSTERIOR

⚠ ADVERTENCIA: Siempre retire el paquete de baterías para realizar el mantenimiento o transportar la podadora.

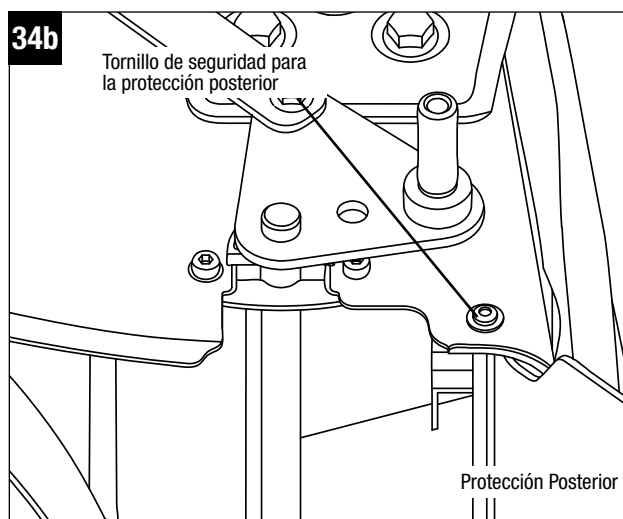
⚠ ADVERTENCIA: No opere la cortadora si la protección posterior no están en su lugar y funcionando correctamente. Nunca opere la cortadora si los dispositivos de seguridad están dañados. De lo contrario, se pueden producir lesiones personales.

La protección posterior está sujeta al desgaste y a daños, que podrían dejar piezas móviles al descubierto o permitir que se disparen objetos. Para proteger su seguridad, verifique frecuentemente la protección posterior y reemplácela inmediatamente con una pieza de repuesto idéntica a las que se indican en este manual.

1. Retire la batería.
2. Ponga la podadora de lado con la superficie superior contra la pared.
3. Retire la rueda posterior del lado superior según la sección "REPLACING THE WHEELS" (REEMPLAZO DE LAS RUEDAS) de este manual.
4. Para el modelo de podadora con liberación automática LM2020SP, afloje el tornillo de seguridad de la cubierta de la rueda. Luego, retire el tornillo, la arandela y la arandela plana (en ese orden) y, a continuación, retire la cubierta de la rueda del eje de la rueda (Fig. 33).
5. Repita los pasos 1 a 3 mencionados para retirar la otra rueda posterior y la cubierta de dicha rueda (solo LM2020SP).
6. Afloje el tornillo de seguridad de la protección posterior en ambos lados y retire la protección posterior desgastada (Fig. 34a y 34b).

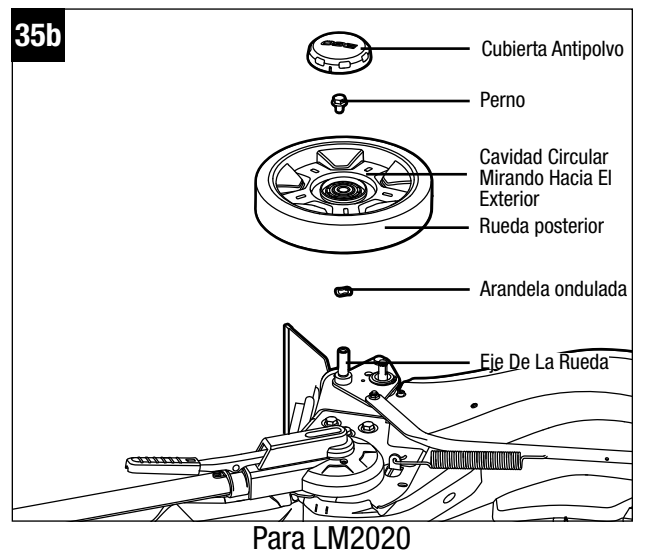
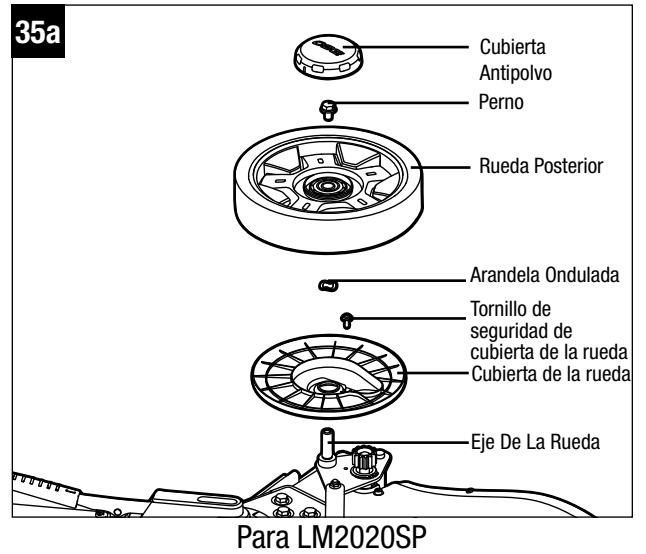


Para LM2020SP



Para LM2020

7. Reemplácela con una protección posterior nueva y colóquela con los dos tornillos de seguridad y las arandelas planas.
8. Reinstale las cubiertas de la rueda posterior (LM2020SP) y las ruedas posteriores. Asegúrese de reemplazar las piezas exactamente en el mismo orden en que las quitó (Fig. 35a y 35b).



CÓMO GUARDAR LA CORTADORA

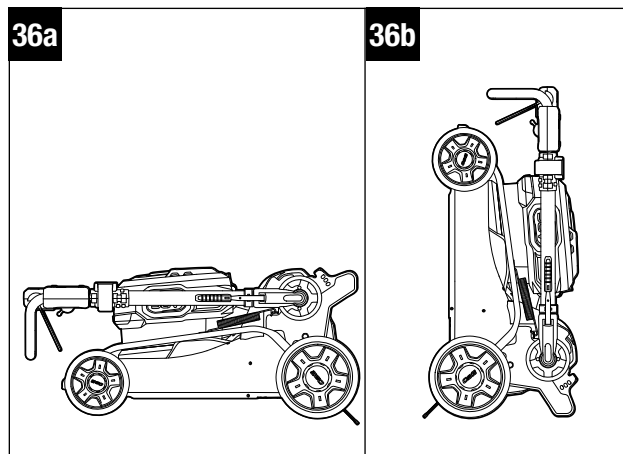
Debe seguir los siguientes pasos para preparar la cortadora para el almacenamiento.

1. Retire el paquete de baterías de la podadora y guárdelo a temperatura ambiente en un lugar seco.
2. Limpie la cortadora como se describe en la sección anterior.
3. Inspeccione la cuchilla y reemplácela o afílela si es necesario.
4. Lubrique la cortadora.
5. Guarde la cortadora en un lugar limpio y seco. No la guarde junto a materiales corrosivos, como fertilizantes o sal de roca.
6. Guarde la cortadora de césped en un lugar cerrado, bajo techo, fresco y seco, y fuera del alcance de los niños.
7. No cubra la cortadora con una cubierta de plástico duro. Las cubiertas plásticas no dejan salir la humedad de la cortadora, lo que puede generar óxido y corrosión.

El conjunto de la empuñadura puede plegarse completamente para el almacenamiento:

1. Quite la bolsa recolectora.
2. Mueva la palanca de ajuste de la altura del corte hacia la parte delantera y posicónela en la configuración más baja (configuración 1).
3. Abra las abrazaderas de sujeción de la manija y retraiga completamente los rieles laterales para lograr una posición compacta.
4. Mantenga presionada la palanca de ajuste rápido con la mano derecha para soltar la empuñadura. Gire suavemente la empuñadura hacia el frente de la cortadora, suelte la palanca de ajuste rápido y siga girando la empuñadura hasta que escuche y sienta que el pasador de bloqueo se engancha en la posición de bloqueo para almacenamiento.
5. Guarde la cortadora en posición vertical u horizontal (Fig. 36a y 36b).

⚠ ADVERTENCIA: Si la cortadora se cayera de la posición vertical, podría dañarse o provocar lesiones personales. Mantenga siempre la cortadora en una posición estable y fuera del alcance de los niños si la guarda en posición vertical. Si fuera posible, guarde la cortadora en posición horizontal.



SOLUCIÓN DE PROBLEMAS

⚠ ADVERTENCIA: Para transportar la cortadora o realizar su mantenimiento, retire siempre la llave de seguridad y el paquete de baterías. Protéjase siempre las manos con guantes resistentes o envuelva los bordes de corte con paños u otro material al realizar el mantenimiento de la cuchilla de la cortadora.

| PROBLEMA | CAUSA | SOLUCIÓN |
|---|---|---|
| No puede arrancar la cortadora. | <ul style="list-style-type: none"> ■ El paquete de baterías está agotado. ■ El paquete de baterías no está ubicado en su lugar, en el compartimento de la batería. ■ La batería o el sistema eléctrico de la cortadora están demasiado calientes. (Se encenderá una luz naranja en el indicador de encendido de la cortadora durante 10 segundos). ■ Los rieles laterales no están completamente extendidos y las abrazaderas no están trabadas en la posición correcta. ■ El mango no está configurado en una de las tres posiciones de operación. ■ La plataforma de la cortadora está obstruida por césped y residuos. | <ul style="list-style-type: none"> ■ Cargue el paquete de baterías. ■ Coloque el paquete de baterías en la podadora y presione hasta escuchar un “clic”. ■ Deje enfriar el paquete de baterías o la cortadora hasta que la temperatura descienda por debajo de los 152 °F (67 °C). ■ Extienda completamente la empuñadura y trabe ambas abrazaderas. ■ Ajuste la empuñadura en una de las dos posiciones de funcionamiento. ■ Limpie la plataforma de la cortadora y asegúrese de que la cuchilla pueda girar libremente. |
| La cortadora realiza cortes desparejos. | <ul style="list-style-type: none"> ■ La cuchilla está desafilada. ■ La altura de corte no está ajustada correctamente. ■ La cuchilla no está bien ensamblada. | <ul style="list-style-type: none"> ■ Afile o reemplace la cuchilla. ■ Ajuste el mango en una de las tres posiciones de operación. ■ Vuelva a ensamblar la cuchilla siguiendo las instrucciones que figuran en la sección “CÓMO COLOCAR LA CUCHILLA” de este manual. |

| PROBLEMA | CAUSA | SOLUCIÓN |
|--|---|--|
| La cortadora se detiene mientras está en funcionamiento. | <ul style="list-style-type: none"> ■ El paquete de baterías está agotado. ■ La cortadora está sobrecargada. ■ La plataforma de la cortadora está obstruida por césped y residuos. ■ La batería o el sistema eléctrico de la cortadora están demasiado calientes. (Se encenderá una luz naranja en el indicador de encendido de la cortadora durante 10 segundos). ■ El riel lateral está un poco retraído debido a la presión que se ejerce sobre la empuñadura. | <ul style="list-style-type: none"> ■ Cargue el paquete de baterías. ■ Eleve la altura de corte o reduzca el ritmo de corte. ■ Desobstruya la plataforma de la cortadora. Eleve la altura de corte o realice cortes más angostos. ■ Deje enfriar el paquete de baterías o la cortadora hasta que la temperatura descienda por debajo de los 152 °F (67 °C). ■ Destrahe las abrazaderas. Extienda completamente los rieles laterales y vuelva a trabar las abrazaderas. |
| La cortadora no tritura correctamente. | <ul style="list-style-type: none"> ■ Se adhieren recortes de césped a la parte inferior de la plataforma. ■ La cortadora está ajustada para cortar demasiado césped de una sola vez. | <ul style="list-style-type: none"> ■ Espere hasta que el césped se seque antes de cortar. ■ Eleve la altura de la plataforma para ajustarla en una posición de corte más alta. |
| Hay vibración excesiva. | <ul style="list-style-type: none"> ■ La cuchilla de corte está floja. ■ La cuchilla de corte no está equilibrada. ■ La cuchilla de corte está doblada. ■ El eje del motor está doblado. | <ul style="list-style-type: none"> ■ Ajuste la tuerca de la cuchilla. ■ Siga los siguientes instrucciones para equilibrar la cuchilla. ■ Reemplace la cuchilla. ■ Comuníquese con el servicio al cliente. |
| Las abrazaderas de sujeción de la manija no se pueden cerrar en su posición. | <ul style="list-style-type: none"> ■ Los rieles laterales no están completamente extendidos. | <ul style="list-style-type: none"> ■ Extienda completamente los rieles laterales y trabe las abrazaderas. |
| La podadora es difícil de jalar cuando está desactivada la autopropulsión. | <ul style="list-style-type: none"> ■ Las ruedas se bloquean temporalmente. | <ul style="list-style-type: none"> ■ Simplemente empuje hacia adelante levemente y luego mueva la podadora según desee. |
| El motor funciona, pero la hoja no corta el césped. | <ul style="list-style-type: none"> ■ La hoja no está apretada con el torque requerido. | <ul style="list-style-type: none"> ■ Vuelva a apretar la hoja. El torque recomendado para el perno de la hoja es de 4,97 a 5,94 kgf-m (49 a 59 Nm) |

| PROBLEMA | CAUSA | SOLUCIÓN |
|---|---|---|
| La batería de la podadora incluida brinda un tiempo corto de funcionamiento | <ul style="list-style-type: none">■ Las condiciones del césped y la configuración de la altura del corte afectan enormemente el tiempo de funcionamiento de la batería. El tiempo de funcionamiento estipulado está basado en condiciones de carga liviana. | <ul style="list-style-type: none">■ Eleve la altura de la cuchilla y reduzca el ritmo para disminuir la carga de corte. |

POLÍTICA DE GARANTÍA

Garantía limitada de 5 años para el equipo electromecánico para exteriores EGO y garantía limitada de 3 años para los cargadores y las baterías del Sistema EGO Power+.

Póngase en contacto con Servicio al Cliente de EGO de manera gratuita al 1-855-EGO-5656 cuando tenga preguntas o reclamaciones de garantía.

GARANTÍA LIMITADA DE SERVICIO

Este producto EGO está garantizado contra defectos en los materiales y la mano de obra POR CINCO AÑOS desde la fecha de su compra original. El producto defectuoso se reparará de manera gratuita.

El cargador y las baterías del Sistema EGO Power+ están garantizados contra defectos en los materiales y la mano de obra POR TRES AÑOS desde la fecha de su compra original. El producto defectuoso se reparará de manera gratuita.

Esta garantía no cubre la hoja, que es una pieza que puede desgastarse durante el uso normal dentro del periodo de garantía.

- Esta garantía se aplica solo al comprador original del distribuidor minorista autorizado de EGO y podría no ser transferible. Los distribuidores minoristas autorizados de EGO se identifican en línea, en <http://egopowerplus.com/pages/warranty-policy>.
- El periodo de garantía para cualquier pieza o producto EGO para propósitos industriales, profesionales o comerciales es de un año.
- Esta garantía queda nula si el producto se ha usado para propósitos de alquiler.
- Esta garantía no cubre daños producto de modificaciones, alteraciones o reparaciones no autorizadas.
- Esta garantía solo cubre defectos en condiciones de uso normales y no cubre fallas, mal funcionamiento o defectos producto de mal uso, abuso (incluida la sobrecarga del producto por encima de su capacidad y la exposición de forma directa al agua o lluvia), accidentes, negligencia o falta de instalación adecuada, y almacenaje o mantenimiento inadecuados.

CÓMO OBTENER EL SERVICIO

Para obtener el servicio de garantía, póngase en contacto con Servicio al Cliente de EGO de manera gratuita al **1-855-EGO-5656**. Cuando solicite el servicio de garantía, debe presentar el recibo de compra original con fecha. Se seleccionará un centro de servicio autorizado para reparar el producto de acuerdo con los términos de la garantía estipulados.

LIMITACIONES ADICIONALES

En la medida en que lo permita la ley aplicable, se rechazan todas las garantías implícitas, incluidas las garantías de COMERCIALIZADIDAD o IDONEIDAD PARA UN FIN EN PARTICULAR. Cualquier garantía implícita, incluidas las garantías de comerciabilidad o idoneidad para cualquier fin en particular, que no pueda ser rechazada según la ley estatal está limitada a cinco años desde la fecha de compra para el equipo electromecánico para exteriores y tres años desde la fecha de compra para el cargador y las baterías.

Chervon North America no se hará responsable por daños directos, indirectos, accidentales o resultantes.

Algunos estados no permiten limitaciones con respecto a la duración de una garantía implícita y/o no permiten la exclusión o limitación de daños accidentales o resultantes, de modo que las limitaciones antes descritas podrían no aplicarse en su caso.

Esta garantía le otorga derechos legales específicos, pero podría tener también otros derechos que varían según el estado.

Para obtener el servicio al cliente, póngase en contacto con nosotros de manera gratuita al:

1-855-EGO-5656 or EGOPOWERPLUS.COM

EGO Customer Service, 120 Ionia Street SW / Suite 102 Grand Rapids, MI 49503

