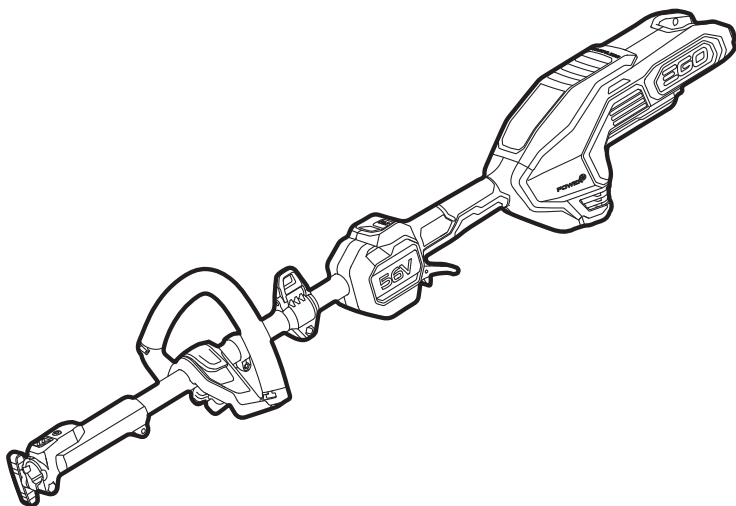


EGO™

POWER⁺ POWER HEAD



FOR USE WITH EGO POWER+
POWER HEAD ATTACHMENTS

OPERATOR'S MANUAL

56-VOLT LITHIUM-ION POWER HEAD

Français p. 27

Español p. 55

MODEL NUMBER PH1420/PH1420-FC

⚠ WARNING: To reduce the risk of injury, the user must read and understand the Operator's Manual before using this product. Save these instructions for future reference.

READ ALL INSTRUCTIONS!



**READ & UNDERSTAND
OPERATOR'S MANUAL**

TABLE OF CONTENTS

Safety Symbols	3
Symbols	4
General Safety Instructions	5-9
Introduction	10
Specifications	10
Packing List	11
Description	12-14
Assembly	15-19
Operation	20-22
Maintenance	23
Troubleshooting	24
EGO Limited Warranty	25-26

SAFETY SYMBOLS

The purpose of safety symbols is to attract your attention to possible dangers. The safety symbols and the explanations with them deserve your careful attention and understanding. The symbol warnings do not, by themselves, eliminate any danger. The instructions and warnings they give are no substitutes for proper accident prevention measures.

⚠ WARNING: Be sure to read and understand all safety instructions in this Operator’s Manual, including all safety alert symbols such as “**DANGER**”, “**WARNING**”, and “**CAUTION**” before using this machine. Failure to follow all instructions listed below may result in electric shock, fire, and/or serious personal injury.

The definitions below describe the level of severity for each signal word. Please read the manual and pay attention to these symbols.	
	This is the safety alert symbol. It is used to alert you to potential personal injury hazards. Obey all safety messages that follow this symbol to avoid possible injury or death.
	DANGER indicates a hazardous situation which, if not avoided, will result in death or serious injury.
	WARNING indicates a hazardous situation which, if not avoided, could result in death or serious injury.
	CAUTION, used with the safety alert symbol, indicates a hazardous situation which, if not avoided, will result in minor or moderate injury.

DAMAGE PREVENTION AND INFORMATION MESSAGES

These inform the user of important information and/or instructions that could lead to equipment or other property damage if they are not followed. Each message is preceded by the word “NOTICE”, as in the example below:

NOTICE: Equipment and/or property damage may result if these instructions are not followed.

SYMBOLS

This page depicts and describes safety symbols that may appear on this product. Read, understand, and follow all instructions on the machine before attempting to assemble and operate it.

	Safety Alert	Indicates a potential personal injury hazard.
	Read & Understand Operator's Manual	To reduce the risk of injury, user must read and understand the operator's manual before using this product.
	Wear eye protection symbol	Always wear safety goggles or safety glasses with side shields and a full face shield when operating this product.
	Recycle Symbol	This product uses lithium-ion (Li-ion) batteries. Local, state, or federal laws may prohibit disposal of batteries in ordinary trash. Consult your local waste authority for information regarding available recycling and/or disposal options.
	Disconnect battery before maintenance	Alerts user to disconnect battery before maintenance.
IPX4	Ingress Protection Degree	Protection from splashing water
V	Volt	Voltage
mm	Millimeter	Length or size
cm	Centimeter	Length or size
in.	Inch	Length or size
kg	Kilogram	Weight
lb	Pound	Weight
	Direct Current	Type or a characteristic of current

GENERAL SAFETY INSTRUCTIONS

⚠ WARNING! Read all safety warnings, instructions, illustrations and specifications provided with this power tool . Failure to follow all instructions listed below may result in electric shock, fire and/or serious injury.

SAVE ALL WARNINGS AND INSTRUCTIONS FOR FUTURE REFERENCE .

The term “power tool” in the warnings refers to your mains-operated (corded) power tool or battery-operated (cordless) power tool.

Work area safety

- **Keep work area clean and well lit.** Cluttered or dark areas invite accidents.
- **Do not operate power tools in explosive atmospheres, such as in the presence of flammable liquids, gases or dust.** Power tools create sparks which may ignite the dust or fumes.
- **Keep children and bystanders away while operating a power tool.** Distractions can cause you to lose control.

Electrical safety

- **Power tool plugs must match the outlet. Never modify the plug in any way. Do not use any adapter plugs with earthed (grounded) power tools.** Unmodified plugs and matching outlets will reduce risk of electric shock.
- **Avoid body contact with earthed or grounded surfaces, such as pipes, radiators, ranges and refrigerators.** There is an increased risk of electric shock if your body is earthed or grounded.
- **Do not operate the machine in rain or wet conditions.** Water entering the machine may increase the risk of electric shock or malfunction that could result in personal injury.
- **Do not abuse the cord. Never use the cord for carrying, pulling or unplugging the power tool. Keep cord away from heat, oil, sharp edges or moving parts.** Damaged or entangled cords increase the risk of electric shock.
- **When operating a power tool outdoors, use an extension cord suitable for outdoor use.** Use of a cord suitable for outdoor use reduces the risk of electric shock.
- **If operating a power tool in a damp location is unavoidable, use a ground fault circuit interrupter (GFCI) protected supply.** Use of a GFCI reduces the risk of electric shock.

Personal safety

- **Stay alert, watch what you are doing and use common sense when operating a power tool. Do not use a power tool while you are tired or under the influence of drugs, alcohol or medication.** A moment of inattention while operating power tools may result in serious personal injury.
- **Use personal protective equipment. Always wear eye protection.** Protective equipment such as a dust mask, non-skid safety shoes, hard hat or hearing protection used for appropriate conditions will reduce personal injuries.
- **Prevent unintentional starting. Ensure the switch is in the off-position before connecting to power source and/or battery pack, picking up or carrying the tool.** Carrying power tools with your finger on the switch or energising power tools that have the switch on invites accidents.
- **Remove any adjusting key or wrench before turning the power tool on.** A wrench or a key left attached to a rotating part of the power tool may result in personal injury.
- **Do not overreach. Keep proper footing and balance at all times.** This enables better control of the power tool in unexpected situations.
- **Dress properly. Do not wear loose clothing or jewellery. Keep your hair and clothing away from moving parts.** Loose clothes, jewellery or long hair can be caught in moving parts.
- **If devices are provided for the connection of dust extraction and collection facilities, ensure these are connected and properly used.** Use of dust collection can reduce dust-related hazards.
- **Do not let familiarity gained from frequent use of tools allow you to become complacent and ignore tool safety principles.** A careless action can cause severe injury within a fraction of a second.

Power tool use and care

- **Do not force the power tool. Use the correct power tool for your application.** The correct power tool will do the job better and safer at the rate for which it was designed.
- **Do not use the power tool if the switch does not turn it on and off.** Any power tool that cannot be controlled with the switch is dangerous and must be repaired.
- **Disconnect the plug from the power source and/or remove the battery pack, if detachable, from the power tool before making any adjustments, changing accessories, or storing power tools.** Such preventive safety measures reduce the risk of starting the power tool accidentally.

- **Store idle power tools out of the reach of children and do not allow persons unfamiliar with the power tool or these instructions to operate the power tool.** Power tools are dangerous in the hands of untrained users.
- **Maintain power tools and accessories. Check for misalignment or binding of moving parts, breakage of parts and any other condition that may affect the power tool's operation. If damaged, have the power tool repaired before use.** Many accidents are caused by poorly maintained power tools.
- **Keep cutting tools sharp and clean.** Properly maintained cutting tools with sharp cutting edges are less likely to bind and are easier to control.
- **Use the power tool, accessories and tool bits etc. in accordance with these instructions, taking into account the working conditions and the work to be performed.** Use of the power tool for operations different from those intended could result in a hazardous situation.
- **Keep handles and grasping surfaces dry, clean and free from oil and grease.** Slippery handles and grasping surfaces do not allow for safe handling and control of the tool in unexpected situations.

Battery tool use and care

- **Recharge only with the charger specified by the manufacturer.** A charger that is suitable for one type of battery pack may create a risk of fire when used with another battery pack.
- **Use power tools only with specifically designated battery packs.** Use of any other battery packs may create a risk of injury and fire.
- **When battery pack is not in use, keep it away from other metal objects, like paper clips, coins, keys, nails, screws or other small metal objects, that can make a connection from one terminal to another.** Shorting the battery terminals together may cause burns or a fire.
- **Under abusive conditions, liquid may be ejected from the battery; avoid contact. If contact accidentally occurs, flush with water. If liquid contacts eyes, additionally seek medical help.** Liquid ejected from the battery may cause irritation or burns.
- **Do not use a battery pack or tool that is damaged or modified.** Damaged or modified batteries may exhibit unpredictable behaviour resulting in fire, explosion or risk of injury.
- **Do not expose a battery pack or tool to fire or excessive temperature.** Exposure to fire or temperature above 265°F (130 °C) may cause explosion.

- **Follow all charging instructions and do not charge the battery pack or tool outside the temperature range specified in the instructions.** Charging improperly or at temperatures outside the specified range may damage the battery and increase the risk of fire.

Service

- **Have your power tool serviced by a qualified repair person using only identical replacement parts.** This will ensure that the safety of the power tool is maintained.
- **Never service damaged battery packs.** Service of battery packs should only be performed by the manufacturer or authorized service providers.
- **Use only with the battery packs and chargers listed below:**

BATTERY	CHARGER
BA1400, BA1400-FC, BA2800, BA2800-FC, BA4200, BA4200-FC, BA1400T, BA1400T-FC, BA2242T, BA2242T-FC, BA2800T, BA2800T-FC, BA3360T, BA3360T-FC, BA4200T, BA4200T-FC, BA4480T, BA4480T-FC, BA5600T, BA5600T-FC, BA6720T, BA6720T-FC	CH2100, CH2100-FC, CH3200, CH3200-FC, CH5500, CH5500-FC, CH2800D, CH2800D-FC, CH7000, CH7000-FC

- **This 56V power head PH1420/PH1420-FC may be used with only the following EGO attachments:**

ATTACHMENT TYPE	MODEL NUMBER
String Trimmer Attachment	STA1600/STA1600-FC
Brush Cutter Attachmen	BCA1220/BCA1220-FC
Hedge Trimmer Attachment	HTA2000/HTA2000-FC/ HTA2020/HTA2020-FC
Pole Saw Attachment	PSA1000/PSA1000-FC /PSA1020/PSA1020-FC
String Trimmer Attachment	STA1500/STA1500-FC
Edger Attachment	EA0800/EA0800-FC /EA0820/EA0820-FC
Cultivator Attachment	CTA9500/CTA9500-FC
Bristle Brush Attachment	BBA2100/BBA2100-FC
Rubber Broom Attachment	RBA2100/RBA2100-FC
Snow Shovel Attachment	SSA1200/SSA1200-FC



SAVE THESE INSTRUCTIONS!
**ADDITIONAL SPECIFIC SAFETY RULES CAN BE FOUND IN THE
APPLICABLE ATTACHMENT'S OPERATOR'S MANUAL**



INTRODUCTION


Congratulations on your selection of the EGO 56-Volt Lithium-ion Power Head. It has been designed, engineered and manufactured to give you the best possible dependability and performance.

Should you experience any problem you cannot easily remedy, please contact EGO customer service center 1-855-EGO-5656.

This manual contains important information on the safe assembly, operation and maintenance of your product. Read it carefully before using the product. Keep this manual handy so you can refer to it at any time.

SERIAL NUMBER _____ DATE OF PURCHASE _____
YOU SHOULD RECORD BOTH SERIAL NUMBER AND DATE OF PURCHASE AND KEEP THEM IN A SAFE PLACE FOR FUTURE REFERENCE

SPECIFICATIONS

Voltage	56V 
Weight	6.2 lb.(2.82 kg)
Recommended Operating Temperature	5°F-104°F(-15°C-40°C)
Recommended Storage Temperature	-4°F-158°F(-20°C-70°C)

RECOMMENDED ACCESSORIES

PART NAME	MODEL NUMBER
Shoulder Strap	AP1500

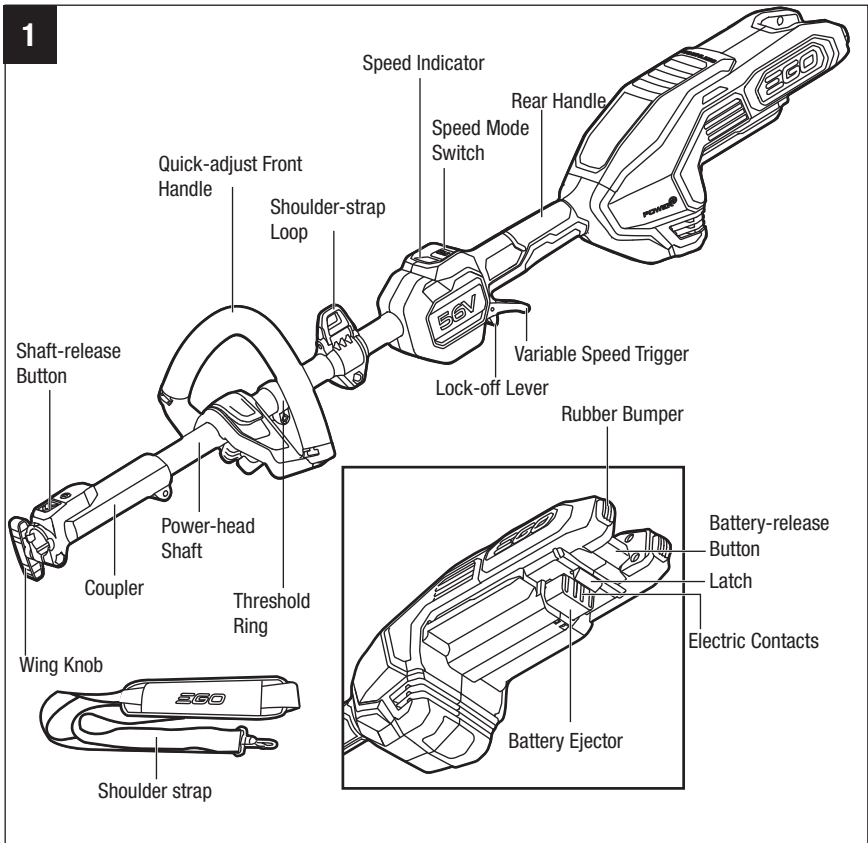
PACKING LIST

PART NAME	QUANTITY
Power Head	1
Quick-adjust Front Handle	1
Operator's Manual	1
Shoulder Strap	1

DESCRIPTION

KNOW YOUR POWER HEAD (Fig.1)

The safe use of this product requires an understanding of the information on the tool and in this operator's manual, as well as knowledge of the project you are attempting. Before using this product, familiarize yourself with all operating features and safety rules.



QUICK-ADJUST FRONT HANDLE

Adjusts for ease of operation and to help prevent loss of control.

REAR HANDLE

Ergonomic handle with overmold improves comfort and grip.

LOCK-OFF LEVER

Helps to prevent accidental or unauthorized activation of the trigger. It must be moved forward before the trigger can be activated.

VARIABLE-SPEED TRIGGER

To turn the tool On and Off and control speed.

SPEED MODE SWITCH

Provides high and low speed mode for different tasks at hand.

COUPLER

Aids in quick connection of the attachment shaft.

SHAFT-RELEASE BUTTON

For releasing the attachment shaft.

WING KNOB

Tightens the coupler and attachment shaft connection.

BATTERY-RELEASE BUTTON

Releases the battery pack from the tool.

LATCH

Secures the battery pack to the tool.

BATTERY EJECTOR

Spring-loaded mechanism that aids in battery removal.

RUBBER BUMPER

Helps to protect the housing from impacts during use.

SHOULDER STRAP

A harness to be worn by the operator for support and balance during cutting operations.

ASSEMBLY

⚠ WARNING: If any parts are damaged or missing, do not operate this product until the parts are replaced. Use of this product with damaged or missing parts could result in serious personal injury.

⚠ WARNING: Do not attempt to modify this product or create accessories not recommended for use with this power head. Any such alteration or modification is misuse and could result in a hazardous condition leading to possibly serious personal injury.

⚠ WARNING: Always remove the battery pack from the product when you are assembling parts, making adjustments, cleaning, or when the product is not in use.

UNPACKING

- This product requires assembly.
- Carefully remove the product and any accessories from the box. Make sure that all items listed in the packing list are included.

⚠ WARNING: Do not use this product if any parts on the Packing List are already assembled to your product when you unpack it. Parts on this list are not assembled to the product by the manufacturer and require customer installation. Use of a product that may have been improperly assembled could result in serious personal injury.

- Inspect the tool carefully to make sure that no breakage or damage occurred during shipping.
- Do not discard the packing material until you have carefully inspected and satisfactorily operated the tool.
- If any parts are damaged or missing, please return the product to the place of purchase.

INSTALLING A POWER HEAD ATTACHMENT

⚠ WARNING: Read and understand entire Operator's Manual for each optional attachment used with this power head and follow all warnings and instructions. Failure to follow all instructions could result in electric shock, fire and/or serious personal injury.

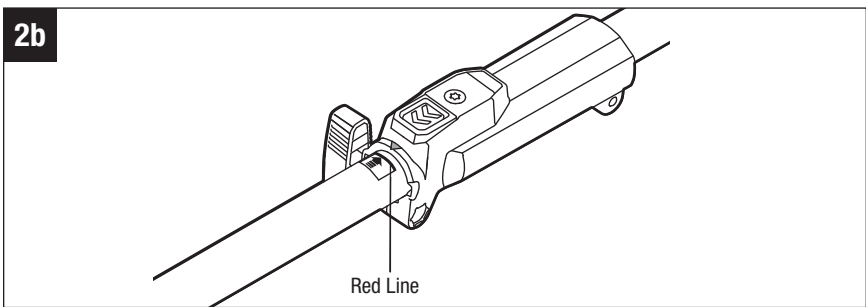
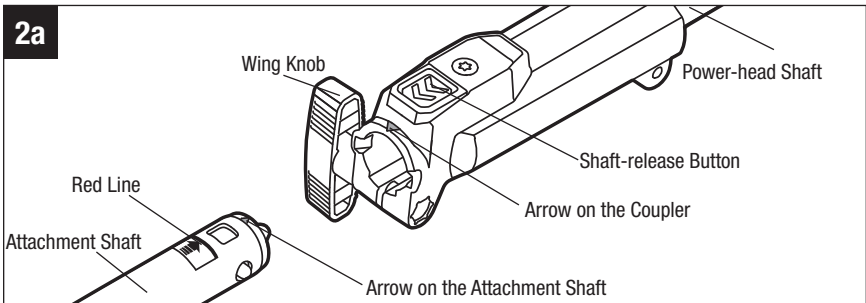
⚠ WARNING: This 56V power head PH1420/PH1420-FC is designed to be used only with the EGO attachment models that are specified in this Operator's Manual or subsequently introduced by EGO for use with this power head. Use of other unauthorized attachments could cause serious personal injuries or property damage.

⚠ WARNING: Some accessories have specific requirements related to safety. Always pay special attention to such instructions in the manual that accompanies each accessory.

⚠ WARNING: Never install, remove, or adjust any attachment while the power head is running or with the battery installed. Failure to stop the motor and remove the battery can cause serious personal injury. NEVER OPERATE THE POWER HEAD WITHOUT AN ATTACHMENT.

The attachment connects to the power head by means of a coupler device.

1. Stop the motor and remove the battery pack.
2. Loosen the wing knob.
3. Remove the end cap from the attachment and place it in a safe place for later use. Align the arrow on the attachment shaft with the arrow on the coupler (Fig. 2a) and push the attachment shaft into the coupler until you hear a clear "click" sound. The coupler should be positioned all the way to the RED LINE labeled on the shaft for the attachment shaft to be properly mounted into place (Fig. 2b).



4. Pull the shaft of the attachment to verify that it is securely locked into the coupler. If not, rotate the attachment shaft from side to side in the coupler until it snaps into place.
5. Tighten the wing knob securely.

⚠ WARNING: Be certain that the wing knob is fully tightened before operating equipment; check it periodically for tightness during use to avoid serious personal injury.

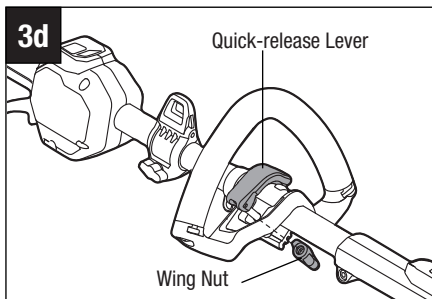
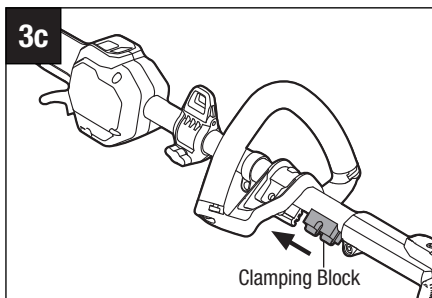
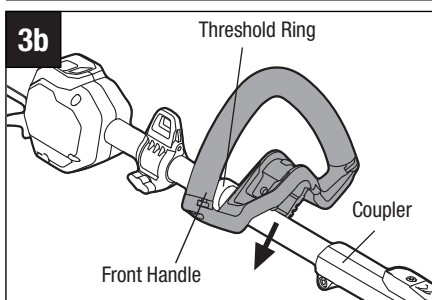
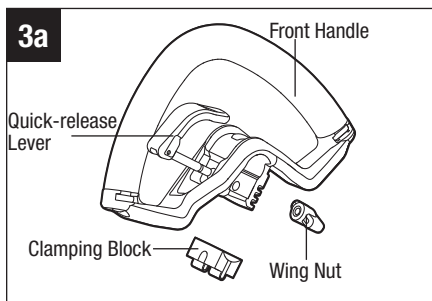
REMOVING THE ATTACHMENT FROM THE POWER HEAD

1. Stop the motor and remove the battery pack.
2. Loosen the wing knob.
3. Press the shaft-release button and, with the button depressed, pull or twist the attachment shaft out of the coupler.

MOUNTING AND ADJUSTING THE QUICK-ADJUST FRONT HANDLE

⚠ WARNING: Always remove the battery pack from the product when you are assembling parts, making adjustments, cleaning, or when the product is not in use.

1. Stop the motor and remove the battery pack, if installed.
2. Loosen and remove the quick-release lever and wing nut from the front handle (Fig. 3a).
3. Push the front handle onto the shaft within the mounting zone between the threshold ring and the coupler on the power-head shaft (Fig. 3b).
4. Insert the clamping block into the handle slot (Fig. 3c).
5. Mount the quick-release lever and tighten the wing nut. Make sure that the front handle is positioned upwards and points toward the top of the rear handle (Fig. 3d).
6. Pull the quick-release lever up to move/rotate the front handle to a comfortable operating position (Fig. 3e).



NOTICE: The front handle should be positioned on the shaft only within the mounting zone, not exceeding the threshold ring, so that the distance between the center of the handles is at least 9-7/8" (250 mm) for safe operation. (Fig. 3e).

- Engage the quick-release lever to secure the front handle in place.

⚠ WARNING: Never use the tool without the front handle securely attached.

MOUNTING THE SHOULDER STRAP

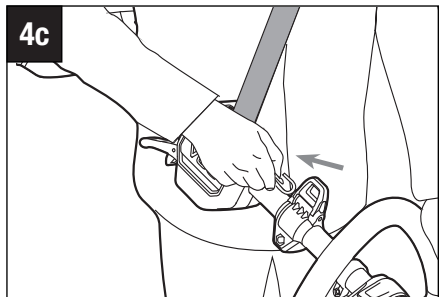
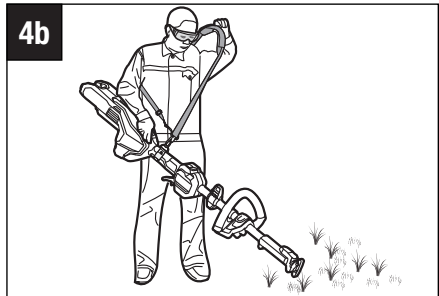
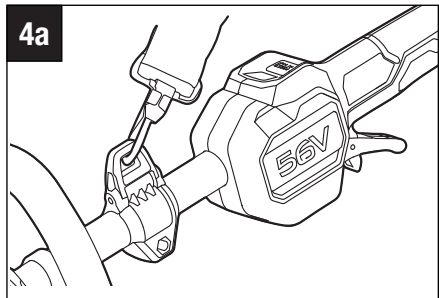
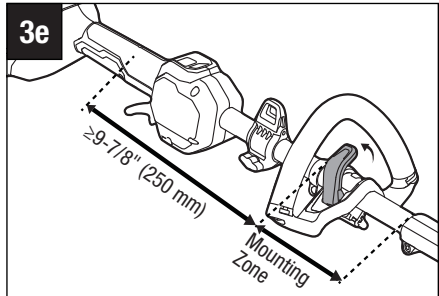
Depress the strap carabiner to open it and attach it onto the shoulder-strap loop (Fig. 4a).

There are two ways to release the strap. Take it off from your shoulder directly (Fig. 4b) or depress the carabiner and disconnect the shoulder strap from the shoulder-strap loop (Fig. 4c).

When wearing the strap, no other wearable should interfere with the release and removal of the strap.

⚠ WARNING: When an emergency occurs, take it off from your shoulder immediately, no matter what way the strap is in.

You should not use the single-shoulder strap and double-shoulder strap simultaneously.



OPERATION

⚠ WARNING: Do not allow familiarity with this product to make you careless. Remember that a careless fraction of a second is sufficient to inflict serious injury.

⚠ WARNING: Always wear safety goggles or safety glasses with side shield marked to comply with ANSI Z87.1. Failure to do so could result in objects being thrown into your eyes and other possible serious injuries.

⚠ WARNING: Do not use any attachments or accessories not recommended by the manufacturer of this product. The use of attachments or accessories not recommended can result in serious personal injury.

INSTALLING/REMOVING THE BATTERY PACK

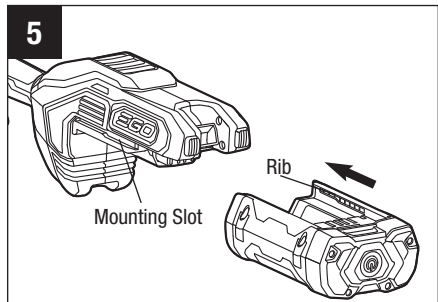
⚠ WARNING: Always remove the battery pack from the product when you are assembling parts, making adjustments, cleaning, or when not in use. Removing the battery pack will prevent accidental starting that could cause serious personal injury.

NOTE: Fully charge the battery pack before first use.

To install battery pack (Fig. 5)

1. Align the ribs of the battery pack with the mounting slots in the power head's battery port.
2. Press the battery pack towards the power head until it snaps into position.

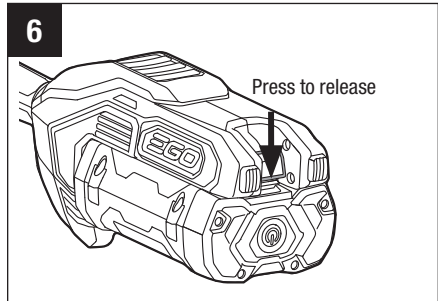
NOTE: Make sure that the latch on the bottom of the battery pack snaps in place and the battery pack is secured to the power head before beginning operation. Failure to securely seat the battery pack could cause the battery pack to fall out, resulting in serious personal injury.



To remove battery pack (Fig. 6)

⚠ WARNING: Always be aware of the location of your feet and children or pets around you when pressing the battery-release button. Serious injury could result if the battery pack falls. NEVER remove the battery pack at a high location.

1. Hold the battery pack in the palm of your hand.
2. Press the battery-release button with your thumb; the battery pack will disengage from the latch.
3. Grasp the battery pack and remove it from the power head.



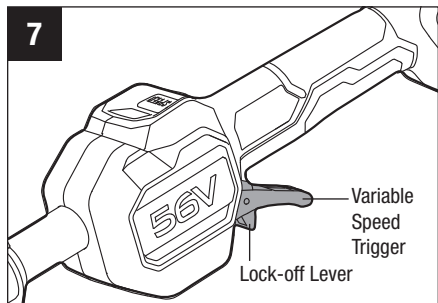
⚠ WARNING: To avoid serious personal injury, always remove the battery pack and keep hands clear of the lock-off lever and variable speed trigger when carrying or transporting the tool.

STARTING/STOPPING THE POWER HEAD

⚠ WARNING: NEVER OPERATE THE POWER HEAD WITHOUT AN ATTACHMENT. Do not attempt to start the power head without an attachment.

To start the power head (Fig. 7)

1. Move the lock-off lever forward and then press the variable speed trigger. The power head will start.
2. The rotational speed of the tool is controlled with the variable speed trigger. More pressure on the trigger results in higher speed; less pressure on the trigger results in lower speed. Adjust the speed to suit the task at hand.



NOTICE: The motor starts only when the lock-off lever is moved forward and the variable speed trigger is depressed at the same time.

To stop the power head

Move the tool away from the cutting area and release the variable speed trigger to stop the power head.

⚠ WARNING: Always remove the battery pack from the power head during work breaks and after finishing work.

Changing Speed Mode (Fig. 8)

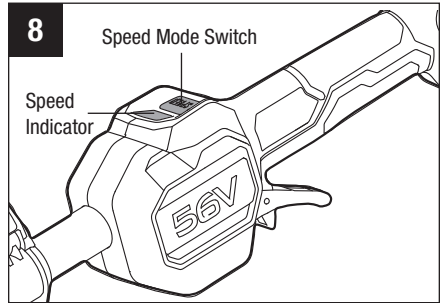
The power head features two speed modes.

Press the speed mode switch to change cutting speed between the low and high.

The speed indicator will display the active speed status: one light for low speed and two lights for high speed.

Press the speed mode switch to choose the suitable speed during operation.

The low speed mode provides better control of the tool and longer runtime per charge.



MAINTENANCE

⚠ WARNING: Before inspecting, cleaning or servicing the unit, stop the motor, wait for all moving parts to stop, and remove the battery pack. Failure to follow these instructions can result in serious personal injury or property damage.

⚠ WARNING: When servicing, use only identical replacement parts. Use of any other parts can create a hazard or cause product damage.

NOTICE: Before each use, inspect the entire product for damaged, missing, or loose parts such as screws, nuts, bolts, caps, etc. Tighten securely all fasteners and caps and do not operate this product until all missing or damaged parts are replaced. Please contact customer service or a qualified service center for assistance.

GENERAL MAINTENANCE

Avoid using solvents when cleaning plastic parts. Most plastics are susceptible to damage from various types of commercial solvents and may be damaged by their use. Use clean cloths to remove dirt, dust, oil, grease, etc.

⚠ WARNING: Do not at any time let brake fluids, gasoline, petroleum-based products, penetrating oils, etc., come in contact with plastic parts. Chemicals can damage, weaken or destroy plastic which can result in serious personal injury.

CLEANING THE POWER HEAD

1. Stop the motor and remove the battery pack.
2. Clean dirt and debris from the power head using a damp cloth with a mild detergent.

NOTICE: Do not use any strong detergents on the plastic housing or the handle. They can be damaged by certain aromatic oils such as pine and lemon, and by solvents such as kerosene.

STORING THE POWER HEAD

1. Remove the battery pack from the power head before storing.
2. Clean all foreign material from the power head.
3. Store it in a place that is inaccessible to children.
4. Keep away from corrosive agents such as garden chemicals and de-icing salts.



TROUBLESHOOTING

See the applicable attachment's operator's manual.



EGO LIMITED WARRANTY

WARRANTY POLICY TERMS AND DURATION

Chervon North America, Inc. (“Chervon North America”) provides the following Limited Warranty for EGO products to the original purchaser of EGO products.

The detailed warranty period for each EGO product can be found online at <http://egopowerplus.com/warranty-policy>.

Please contact EGO Customer Service Toll-Free at 1-855-EGO-5656 any time you have questions or warranty claims or would like a hard copy of the warranty.

LIMITED SERVICE WARRANTY

EGO products are warranted against defects in material or workmanship from the date of original retail purchase for the applicable warranty period. For any properly and timely submitted warranty claim, if Chervon North America determines a product to be defective during the warranty period, the product will receive free repair or replacement as determined by Chervon North America.

HOW TO OBTAIN SERVICE

For warranty service, within the applicable warranty period, please contact EGO customer service toll-free at **1-855-EGO-5656**. When requesting warranty service, you must present the original dated sales receipt. An authorized service center will be selected to evaluate and repair the product if defective according to the stated warranty terms. When bringing your product to the authorized service center, there may be a small deposit that will be required when dropping off your tool. This deposit is refundable when the repair service is deemed to be covered under warranty.

ADDITIONAL LIMITATIONS & EXCLUSIONS

This limited warranty applies only to the original purchaser from an authorized EGO retailer and is not transferable. EGO products shall not be considered defective, and this warranty will not apply, where the claimed defect is attributable to any cause other than the above-defined defects. This warranty shall be void if the product has been used for rental purposes. This warranty shall not apply to damage caused by accident, abuse, misuse, alteration, modification, unauthorized repair, liquid contact, fire, earthquake or other external cause; operating the product outside EGO’s instructions, specifications



or guidelines; or failure to properly service of maintain the product. This warranty also does not apply to cosmetic damage, including but not limited to scratches or dents; defects caused by normal wear and tear or otherwise due to the normal aging of the product.

THIS EXPRESS WARRANTY IS GIVEN IN LIEU OF ALL OTHER WARRANTIES, EXPRESS OR IMPLIED, INCLUDING, BUT NOT LIMITED TO, ANY WARRANTIES OF MERCHANTABILITY OR FITNESS FOR PARTICULAR PURPOSE OR USE, WHICH ARE DISCLAIMED. Any implied warranties, including warranties of merchantability or fitness for a particular purpose, that cannot be disclaimed under state law are limited to the applicable warranty period defined at the beginning of this article. The sole and exclusive remedy in connection with the purchase, installation, use, and/or performance of the EGO products is repair or replacement of the product as determined by Chervon North America. Chervon North America's maximum liability shall not in any case exceed the purchase price paid for the product. CHERVON NORTH AMERICA SHALL NOT BE LIABLE TO THE USER OR TO ANYONE ELSE FOR CONSEQUENTIAL, INCIDENTAL, SPECIAL, EXEMPLARY, INDIRECT, OR PUNITIVE DAMAGES ARISING FROM USE OF THE PRODUCTS, INCLUDING BUT NOT LIMITED TO PERSONAL INJURY, DEATH, PROPERTY DAMAGE, LOST PROFITS, OR OTHER ECONOMIC INJURY. This warranty gives you specific legal rights, and you may also have other rights which vary from state to state. Some states do not allow limitations on how long an implied warranty lasts, the exclusion or limitation of incidental or consequential damages, or the limitations on time to bring certain actions, so such limitations contained herein do not apply to individual consumers in those states.

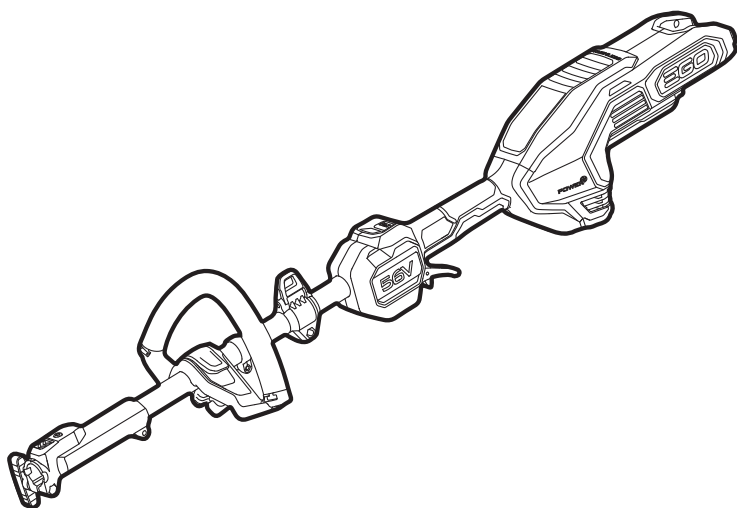
This warranty is subject to and shall be interpreted according to Michigan law without regard to principles of conflicts of laws. No legal action shall be brought against Chervon North America unless filed within one (1) year after the basis for such legal action becomes known, or with the exercise of reasonable diligence should have become known. Any action not timely filed shall be deemed waived.

For customer service contact us toll-free at: **1-855-EGO-5656** or **EGOPOWERPLUS.COM**.

EGO Customer Service
769 Seward Ave. NW, Suite 102
Grand Rapids, Michigan 49504.

EGO™

POWER⁺ POWER HEAD



POUR UTILISATION AVEC DES PIÈCES JOINTES
À LA TÊTE D'ALIMENTATION EGO POWER+

GUIDE D'UTILISATION

TÊTE D'ALIMENTATION AU LITHIUM-ION DE 56 VOLTS

NUMÉRO DE MODÈLE PH1420/PH1420-FC

⚠ AVERTISSEMENT : Afin de réduire les risques de blessure, l'utilisateur doit lire et comprendre le guide d'utilisation avant d'utiliser ce produit. Conservez le présent guide afin de pouvoir le consulter ultérieurement.

LISEZ TOUTES LES INSTRUCTIONS!



LISEZ LE MODE D'EMPLOI ET
ASSUREZ-VOUS QUE VOUS LE COMPRENEZ

TABLE DES MATIÈRES

Symboles de sécurité	29
Symboles	30
Consignes de sécurité générales	31-35
Introduction	36
Spécifications	36
Liste des pièces	37
Description	38-40
Assemblage	41-45
Fonctionnement	46-49
Maintenance	50-51
Recherche de la cause des problèmes	51
Garantie limitée D'EGO	52-54

SYMBOLES DE SÉCURITÉ

L'objectif des symboles de sécurité est d'attirer votre attention sur les dangers potentiels. Vous devez examiner attentivement et bien comprendre les symboles de sécurité et les explications qui les accompagnent. Les symboles d'avertissement en tant que tels n'éliminent pas le danger. Les consignes et les avertissements qui y sont associés ne remplacent en aucun cas les mesures préventives adéquates.

⚠ AVERTISSEMENT: Assurez-vous de lire et de comprendre toutes les consignes de sécurité présentées dans le présent mode d'emploi, notamment toutes les consignes de sécurité indiquées par « **DANGER** », « **AVERTISSEMENT** » et « **MISE EN GARDE** ». Le non-respect des consignes de sécurité ci-dessous peut occasionner une décharge électrique, un incendie ou des blessures graves.

Les définitions ci-dessous décrivent le niveau de gravité pour chaque terme signalant un danger. Veuillez lire le mode d'emploi et regarder la signification de ces symboles	
	C'est le symbole d'alerte relatif à la sécurité. Il est utilisé pour vous avertir de l'existence possible d'un danger de lésion corporelle. Obéissez à tous les messages relatifs à la sécurité qui suivent ce symbole pour éviter tout risque de blessure ou même de mort.
	DANGER indique une situation dangereuse qui, si elle n'est pas évitée, causera la mort d'une personne ou une blessure grave.
	AVERTISSEMENT indique une situation dangereuse qui, si elle n'est pas évitée, pourrait causer la mort d'une personne ou une blessure grave.
	MISE EN GARDE , conjointement avec le symbole d'alerte en liaison avec la sécurité, indique une situation dangereuse qui, si elle n'est pas évitée, causera une blessure légère ou modérée.

MESSAGES D'INFORMATION ET DE PRÉVENTION DES DOMMAGES

Ils informent l'utilisateur d'informations et/ou d'instructions importantes qui pourraient entraîner des dommages matériels ou aux équipements s'ils ne sont pas suivis. Chaque message est précédé par le terme « **AVIS** », comme dans l'exemple ci-dessous :

AVIS : Un dommage matériel et/ou aux équipements peut survenir si ces instructions ne sont pas suivies.

SYMBOLES

Cette page représente et décrit les symboles qui peuvent figurer sur ce produit. Lisez toutes les instructions figurant sur le produit avant de l'assembler et de commencer à l'utiliser, assurez-vous que vous les comprenez, et suivez-les.

	Alerte de sécurité	Indique un risque de blessure.
	Lisez le mode d'emploi, et assurez-vous que vous le comprenez.	Pour réduire le risque de blessure, l'utilisateur doit lire le mode d'emploi et s'assurer qu'il le comprend avant de commencer à utiliser ce produit.
	Porter des lunettes de sécurité	Lorsque vous utilisez l'article, portez toujours des lunettes de sécurité couvrantes ou à écrans latéraux, ou un masque complet.
	Symbole de recyclage	Le produit fonctionne à l'aide de piles au lithium-ion (Li-ion). La législation locale, provinciale ou fédérale peut interdire la mise au rebut des blocs-piles dans une poubelle ordinaire. Consultez l'organisme local de gestion des déchets au sujet des possibilités offertes en ce qui concerne la mise au rebut ou le recyclage.
	Débranchez la pile avant toute opération d'entretien.	Alerte l'utilisateur pour qu'il débranche la pile avant toute opération d'entretien.
IPX4	Indice de protection	Protection contre les éclaboussures d'eau
V	Volt	Tension
mm	Millimètre	Longueur ou taille
cm	Centimètre	Longueur ou taille
in.	Pouce	Longueur ou taille
kg	Kilogramme	Poids
lb	Livre	Poids
	Courant continu	Type de courant ou caractéristique de courant

CONSIGNES DE SÉCURITÉ GÉNÉRALES

⚠ AVERTISSEMENT! Lisez tous les avertissements relatifs à la sécurité, ainsi que toutes les instructions, les illustrations et les spécifications fournies avec cet outil électrique. Le non-respect de toutes les instructions figurant ci-après pourrait causer un choc électrique, un incendie et/ou des blessures graves.

CONSERVEZ TOUS LES AVERTISSEMENTS ET TOUTES LES INSTRUCTIONS POUR RÉFÉRENCE FUTURE.

Le terme « outil électrique » dans les avertissements fait référence à votre outil électrique à cordon d'alimentation électrique branché dans une prise secteur ou à votre outil électrique à piles sans fil.

Sécurité de la zone de travail

- **Gardez votre zone de travail propre et bien éclairée.** Des zones encombrées ou sombres sont propices aux accidents.
- **N'utilisez pas des outils électriques dans une atmosphère explosive, par exemple en présence de liquides, de gaz ou de poussières inflammables.** Les outils électriques produisent des étincelles qui risquent de mettre feu aux poussières ou émanations de fumée.
- **Gardez les enfants et autres personnes présentes à une distance suffisante lorsque vous utilisez un outil électrique.** Des distractions risqueraient de vous faire perdre le contrôle.

Sécurité électrique

- **La fiche de l'outil électrique doit correspondre à la prise de courant. Ne modifiez jamais la fiche de quelque façon que ce soit. N'utilisez pas d'adaptateurs de fiches avec des outils électriques mis à la terre/à la masse.** L'emploi de fiches non modifiées et de prises de courant correspondant naturellement aux fiches réduira le risque de choc électrique.
- **Évitez tout contact de votre corps avec des surfaces mises à la terre ou à la masse, telles que des surfaces de tuyaux, de radiateurs, de cuisinières et de réfrigérateurs.** Il existe un risque accru de choc électrique si votre corps est en contact avec la terre ou la masse.
- **N'exposez pas la machine à la pluie ou à un environnement humide.** La pénétration d'eau dans la machine peut augmenter le risque de choc électrique ou de dysfonctionnement pouvant entraîner des blessures corporelles.

- **N'utilisez pas le cordon de façon abusive. N'utilisez pas le cordon pour porter, tirer ou débrancher l'outil électrique. Tenez le cordon à distance de toute source de chaleur, d'huile, de bords tranchants ou de pièces mobiles.** Des cordons endommagés ou entortillés augmentent le risque de choc électrique.
- **Lorsque vous utilisez un outil électrique à l'extérieur, employez un cordon de rallonge approprié pour un emploi à l'extérieur.** L'utilisation d'un cordon approprié pour une utilisation à l'extérieur réduit le risque de choc électrique.
- **S'il est inévitable d'utiliser un outil électrique dans un environnement humide, utilisez une alimentation protégée par un disjoncteur avec circuit de fuite à la terre (GFCI).** L'utilisation d'un circuit GFCI réduit le risque de choc électrique.

Sécurité personnelle

- **Faites preuve de vigilance et de bon sens, et observez attentivement ce que vous faites lorsque vous utilisez un outil électrique. N'utilisez pas un outil électrique si vous êtes fatigué(e) ou sous l'influence de drogues, d'alcool ou de médicaments.** Un simple moment d'inattention pendant que vous utilisez un outil électrique pourrait causer une blessure grave.
- **Utilisez des équipements de protection personnelle. Portez toujours des équipements de protection des yeux.** Des équipements de protection tels qu'un masque de protection contre la poussière, des chaussures de sécurité antidérapantes, un casque ou un dispositif de protection de l'ouïe utilisés en fonction des conditions réduiront le nombre des blessures.
- **Empêchez une mise en marche accidentelle. Assurez-vous que l'interrupteur est dans la position d'arrêt (OFF) avant de connecter l'appareil à une source d'alimentation et/ou à un bloc-piles, de le soulever ou de le transporter.** Le fait de transporter des outils électriques avec le doigt sur l'interrupteur ou de mettre sous tension des outils électriques avec l'interrupteur en position de marche invite les accidents.
- **Retirez toute clé de réglage pouvant être attachée à l'outil avant de mettre l'outil électrique sous tension.** Une clé laissée attachée à une pièce en rotation de l'outil électrique pourrait causer une blessure.
- **Ne vous penchez pas excessivement au-dessus de l'outil.** Veillez à toujours garder un bon équilibre et un appui stable. Ceci permet de mieux contrôler l'outil électrique dans des situations inattendues.
- **Portez des vêtements appropriés. Ne portez pas de bijoux ou de vêtements amples. Gardez vos cheveux et vos vêtements à une distance suffisante des pièces mobiles.** Les vêtements amples, bijoux ou cheveux longs pourraient être attrapés par des pièces mobiles.

- **Si des dispositifs sont fournis pour le raccordement d'accessoires d'extraction et de collecte de la poussière, assurez-vous qu'ils sont connectés et utilisés de façon appropriée.** L'emploi correct des accessoires de collecte de la poussière peut réduire les dangers associés à la poussière.
- **Ne laissez pas la familiarité résultant de l'utilisation fréquente des outils vous inciter à devenir complaisant(e) et à ignorer les principes de sécurité relatifs aux outils.** Une action négligente pourrait causer des blessures graves en une fraction de seconde.

Utilisation et entretien de l'outil électrique

- **N'imposez pas de contraintes excessives à l'outil électrique. Utilisez l'outil électrique approprié pour votre application.** L'outil électrique correct fera le travail plus efficacement et avec plus de sécurité à la vitesse à laquelle il a été conçu pour fonctionner.
- **N'utilisez pas l'outil électrique si l'interrupteur de marche/arrêt ne permet pas de le mettre sous tension/hors tension.** Tout outil électrique qui ne peut pas être contrôlé par son interrupteur est dangereux et doit être réparé.
- **Débranchez la fiche de la prise secteur et/ou retirez le bloc-piles de l'outil électrique (s'il est amovible) avant d'y apporter de quelconques modifications, de changer d'accessoire ou de ranger l'outil électrique.** De telles mesures de sécurité préventives réduisent le risque de déclenchement accidentel de l'outil électrique.
- **Rangez les outils électriques qui ne sont pas utilisés activement hors de portée des enfants, et ne laissez aucune personne n'ayant pas lu ces instructions et ne sachant pas comment utiliser un tel outil électrique se servir de cet outil.** Les outils électriques sont dangereux quand ils sont entre les mains d'utilisateurs n'ayant pas reçu la formation nécessaire à leur utilisation.
- **Entretenez de façon appropriée les outils électriques et les accessoires. Assurez-vous que les pièces en mouvement sont bien alignées et qu'elles ne se coincent pas, qu'il n'y a pas de pièces cassées ou qu'il n'existe aucune situation pouvant affecter le fonctionnement de l'outil électrique. Si l'outil électrique est endommagé, faites-le réparer avant de vous en servir à nouveau.** De nombreux accidents sont causés par des outils électriques mal entretenus.
- **Gardez les outils de coupe tranchants et propres.** Des outils de coupe entretenus de façon adéquate avec des bords de coupe tranchants sont moins susceptibles de se coincer et sont plus faciles à contrôler.

- **Utilisez l'outil électrique, les accessoires, les embouts de l'outil, etc. conformément à ces instructions, en tenant compte des conditions de travail et de la tâche à accomplir.** L'utilisation de l'outil électrique pour des opérations différentes de celles pour lesquelles il est conçu pourrait causer une situation dangereuse.
- **Gardez les poignées et les surfaces de préhension propres, sèches et exemptes de toute trace d'huile ou de graisse.** Les poignées et les surfaces de préhension glissantes ne permettent pas une manipulation et un contrôle sûrs de l'outil dans des situations inattendues.

Utilisation et entretien de l'outil électrique à pile

- **Ne rechargez l'outil qu'avec le chargeur indiqué par le fabricant.** Un chargeur qui est approprié pour un type de bloc-piles pourrait créer un risque d'incendie quand il est utilisé avec un autre bloc-piles.
- **Utilisez votre outil électrique exclusivement avec des blocs-piles conçus spécifiquement pour celui-ci.** L'emploi de tout autre bloc-piles risquerait de causer des blessures et un incendie.
- **Lorsque le bloc-piles n'est pas utilisé, gardez-le à une distance suffisante des autres objets en métal, comme des trombones, pièces de monnaie, clés, clous, vis ou autres petits objets en métal qui pourraient établir une connexion d'une borne à une autre.** Le court-circuitage des bornes d'une pile pourrait causer des brûlures ou un incendie.
- **Dans des conditions d'utilisation abusives, du liquide pourrait être éjecté de la pile ; évitez tout contact. En cas de contact accidentel, lavez avec de l'eau.** En cas de contact de liquide avec les yeux, consultez un professionnel de santé. Tout liquide éjecté d'une pile peut causer de l'irritation ou des brûlures.
- **N'utilisez pas un bloc-piles ou un outil qui est endommagé ou a été modifié.** Des piles endommagées ou modifiées peuvent se comporter de façon imprévisible et causer un incendie, une explosion ou des blessures.
- **N'exposez pas un bloc-piles ou un outil à un feu ou à une température excessive.** L'exposition à un feu ou à une température supérieure à 130° C / 265° F pourrait causer une explosion.
- **Suivez toutes les instructions relatives à la charge et ne chargez pas le bloc-piles ou l'outil en dehors de la plage de température spécifiée dans les instructions.** Une charge dans des conditions appropriées ou à des températures en dehors de la plage spécifiée pourrait endommager la pile et augmenter le risque d'incendie.

Service après-vente

- **Faites entretenir votre outil électrique par un réparateur compétent n'utilisant que des pièces de rechange identiques.** Ceci assurera le maintien de la sécurité de l'outil électrique.
- **Ne tentez jamais de réparer des blocs-piles endommagés.** La réparation de blocs-piles ne doit être effectuée que par le fabricant ou un prestataire de services agréé.
- **N'utilisez qu'avec les blocs-piles et chargeurs indiqués ci-dessous :**

BLOC-PILE	CHARGEUR
BA1400, BA1400-FC, BA2800, BA2800-FC, BA4200, BA4200-FC, BA1400T, BA1400T-FC, BA2242T, BA2242T-FC, BA2800T, BA2800T-FC, BA3360T, BA3360T-FC, BA4200T, BA4200T-FC, BA4480T, BA4480T-FC, BA5600T, BA5600T-FC, BA6720T, BA6720T-FC	CH2100, CH2100-FC, CH3200, CH3200-FC, CH5500, CH5500-FC, CH2800D, CH2800D-FC, CH7000, CH7000-FC

- **Ce bloc moteur de 56 V PH1420/PH1420-FC ne peut être utilisé qu'avec les attachements EGO suivants :**

TYPE D'ACCESSOIRE	NUMÉRO DE MODÈLE
Taille-bordure	STA1600/STA1600-FC
Attachement de débroussaillage	BCA1220/BCA1220-FC
Taille-haie	HTA2000/HTA2000-FC/ HTA2020/HTA2020-FC
Scie à rallonge	PSA1000/PSA1000-FC /PSA1020/PSA1020-FC
Taille-bordure	STA1500/STA1500-FC
Coupe-bordure	EA0800/EA0800-FC /EA0820/EA0820-FC
Cultivateur	CTA9500/CTA9500-FC
La brosse à soies	BBA2100/BBA2100-FC
Balayage à pales en caoutchouc	RBA2100/RBA2100-FC
Pelle à neige	SSA1200/SSA1200-FC

CONSERVEZ CES INSTRUCTIONS!

**VOUS TROUVEREZ DES RÈGLES DE SÉCURITÉ SUPPLÉMENTAIRES
DANS LE GUIDE D'UTILISATION DE L'ACCESSOIRE APPLICABLE**

INTRODUCTION


Nous vous félicitons d'avoir choisi la tête d'alimentation EGO au lithium-ion de 56 volts. Elle a été conçue et fabriquée afin de vous offrir la meilleure fiabilité et le meilleur rendement possible.

Si vous éprouvez un problème que vous n'arrivez pas à régler facilement, veuillez communiquer avec le centre de service à la clientèle d'EGO au 1-855-EGO-5656.

Le présent guide contient des renseignements importants pour assembler, utiliser et entretenir en toute sécurité votre produit. Lisez-le soigneusement avant d'utiliser le produit. Conservez ce guide à portée de main afin de pouvoir le consulter à tout moment.

NUMÉRO DE SÉRIE _____ DATE D'ACHAT _____
NOUS VOUS RECOMMANDONS DE NOTER LE NUMÉRO DE SÉRIE ET LA DATE D'ACHAT ET DE LES CONSERVER EN LIEU SÛR AFIN DE POUVOIR LES CONSULTER ULTÉRIEUREMENT.

SPÉCIFICATIONS

Tension	56V 
Poids	6,2 lb.(2,82 kg)
Température de fonctionnement recommandée	5°F-104°F(-15°C-40°C)
Température de stockage recommandée	-4°F-158°F(-20°C-70°C)

ACCESSOIRES RECOMMANDÉS

NOM DE PIÈCE	NUMÉRO DE MODÈLE
Bretelle pour port en bandoulière	AP1500

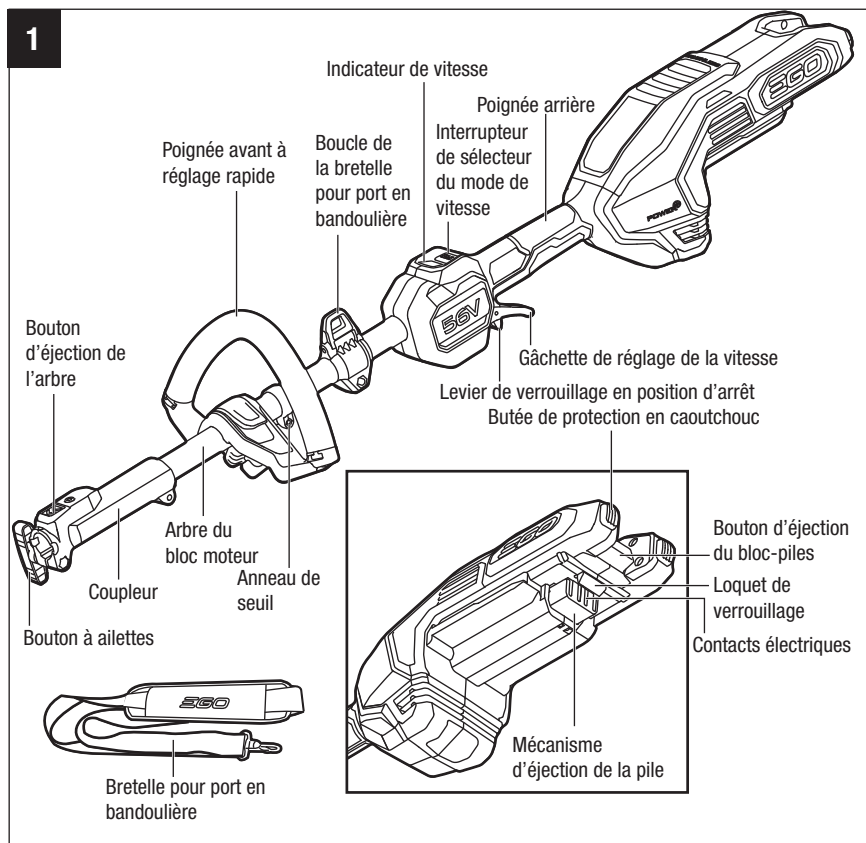
LISTE DES PIÈCES

NOM DE PIÈCE	QUANTITÉ
Ensemble moteur	1
Poignée avant à réglage rapide	1
Mode d'emploi	1
Bretelle pour port en bandoulière	1

DESCRIPTION

FAMILIARISEZ-VOUS AVEC VOTRE BLOC MOTEUR (Fig. 1)

Pour que ce produit puisse être utilisé en toute sécurité, il est nécessaire de comprendre les informations figurant sur l'outil et dans son mode d'emploi, et de bien maîtriser le projet que vous voulez réaliser. Avant d'utiliser ce produit, familiarisez-vous avec toutes ses fonctionnalités et les consignes de sécurité qui s'y appliquent.



POIGNÉE AVANT À RÉGLAGE RAPIDE

S'ajuste pour faciliter l'utilisation et pour aider à prévenir la perte de contrôle.

POIGNÉE ARRIÈRE

La poignée ergonomique avec surmoulage améliore le confort et la préhension.

LEVIER DE VERROUILLAGE EN POSITION D'ARRÊT

Contribue à empêcher une activation accidentelle ou non autorisée de la gâchette. Il doit être déplacé vers avant que la gâchette puisse être activée.

GÂCHETTE DE RÉGLAGE DE LA VITESSE

Pour allumer et éteindre l'outil, et pour en contrôler la vitesse.

INTERRUPTEUR DE SÉLECTION DU MODE DE VITESSE

Fournit des modes de vitesses élevées et basses pour différentes tâches à accomplir.

COUPLEUR

Aide à la connexion rapide de l'arbre de l'attacheement.

BOUTON D'ÉJECTION DE L'ARBRE

Pour éjecter l'arbre de l'attacheement.

BOUTONS À AILETTES

Serre la connexion du coupleur et de l'arbre de l'attacheement.

BOUTON D'ÉJECTION DU BLOC-PILES

Détache le bloc-piles de l'outil.

VERROU

Assujettit le bloc-piles à l'outil.

MÉCANISME D'ÉJECTION DE LA PILE

Mécanisme à ressort qui aide à faire sortir la pile de son compartiment.

BUTÉE DE PROTECTION EN CAOUTCHOUC

Permet de protéger le boîtier contre les chocs pendant l'utilisation.

BRETELLE POUR PORT EN BANDOULIÈRE

Un harnais à porter par l'opérateur pour le soutenir et l'équilibrer pendant les opérations de coupe.

ASSEMBLAGE

⚠ AVERTISSEMENT: Si certaines pièces sont endommagées ou manquantes, n'utilisez pas ce produit avant que ces pièces aient été remplacées. L'utilisation de ce produit avec des pièces endommagées ou manquantes pourrait causer des blessures graves.

⚠ AVERTISSEMENT: Ne tentez pas de modifier ce produit ou de créer des accessoires qu'il n'est pas recommandé d'utiliser avec ce bloc-moteur. Une telle altération ou modification constituerait une utilisation abusive et pourrait créer une situation dangereuse avec risque de blessures graves.

⚠ AVERTISSEMENT: Retirez toujours le bloc-piles de ce produit lorsque vous assemblez des pièces, effectuez des réglages, faites un nettoyage ou n'utilisez pas le produit.

DÉBALLAGE

- Ce produit nécessite un assemblage.
- Retirez le produit et tous les accessoires de la boîte en prenant les précautions nécessaires. Assurez-vous que tous les articles indiqués sur la liste des pièces sont inclus.

⚠ AVERTISSEMENT: N'utilisez pas ce produit si de quelconques pièces figurant sur la liste des pièces sont déjà assemblées sur votre produit lorsque vous le sortez de son emballage. Les pièces de cette liste ne sont pas assemblées sur le produit par le fabricant et nécessitent une installation par le client. Une utilisation d'un produit pouvant avoir été assemblé de façon incorrecte pourrait causer des blessures graves.

- Inspectez attentivement cet outil pour vous assurer qu'aucun dommage ou bris de pièce(s) ne s'est produit pendant le transport.
- Ne jetez pas les matériaux d'emballage avant d'avoir inspecté attentivement l'outil et l'avoir utilisé de manière satisfaisante.
- Si une pièce quelconque est endommagée ou manquante, veuillez rapporter le produit dans le magasin où vous l'avez acheté.

INSTALLATION D'UN ATTACHEMENT DU BLOC MOTEUR

⚠ AVERTISSEMENT: Lisez l'intégralité du mode d'emploi de chaque attchement en option utilisé avec ce bloc moteur, assurez-vous que vous le comprenez, et suivez tous les avertissements et toutes les instructions. La non-observation de toutes les instructions pourrait causer un choc électrique, un incendie et/ou des blessures graves.

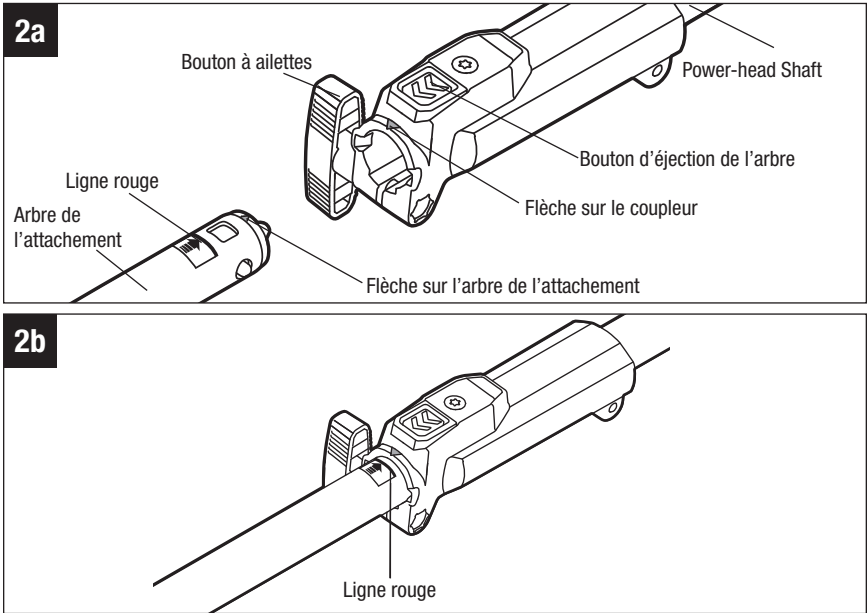
⚠ AVERTISSEMENT: Ce bloc moteur de 56 V PH1420/PH1420-FC est conçu pour être utilisé uniquement avec les modèles d'attchements EGO spécifiés dans ce mode d'emploi ou introduits ultérieurement par EGO pour être utilisés avec ce bloc moteur. L'utilisation d'autres accessoires non autorisés peut entraîner des blessures graves ou des dommages matériels.

⚠ AVERTISSEMENT: Certains accessoires ont des exigences spécifiques liées à la sécurité. Portez toujours une attention particulière à ces instructions dans le manuel qui accompagne chaque accessoire.

⚠ AVERTISSEMENT: Ne fixez ou ne réglez jamais un attchement lorsque l'ensemble moteur est en marche ou lorsque la pile est installée. Si vous n'arrêtez pas le moteur et ne retirez pas la pile, vous risquez de vous blesser gravement. **N'UTILISEZ JAMAIS L'ENSEMBLE MOTEUR SANS ATTACHEMENT INSTALLÉ.**

L'attchement est relié au bloc moteur au moyen d'un dispositif de couplage.

1. Arrêtez le moteur et retirez le bloc-piles.
2. Desserrez le bouton à ailettes.
3. Retirez le capuchon de l'embout de l'attchement et conservez-le dans un endroit sûr en vue d'une utilisation ultérieure. Alignez la flèche de l'arbre de l'attchement sur la flèche du coupleur (Fig. 2a) et poussez l'arbre de l'arbre de l'attchement dans le coupleur jusqu'à ce que vous entendiez clairement un déclic. Le coupleur doit être positionné en étant enfoncé complètement, jusqu'à la LIGNE ROUGE inscrite sur l'arbre pour que l'arbre de l'attchement soit monté correctement à sa place (Fig. 2b).



4. Tirez sur l'arbre de l'attache-ment pour vérifier qu'il est bien verrouillé dans le coupleur. Si ce n'est pas le cas, faites tourner l'arbre de l'attache-ment d'un côté à l'autre dans le coupleur jusqu'à ce qu'il s'enclenche en place.
5. Serrez à fond le bouton à ailettes.

⚠ AVERTISSEMENT: Assurez-vous que le bouton à ailettes est serré à fond avant de mettre l'équipement en marche ; vérifiez-le de temps en temps pour vous assurer qu'il est bien serré pendant l'utilisation pour éviter tout risque de blessure grave.

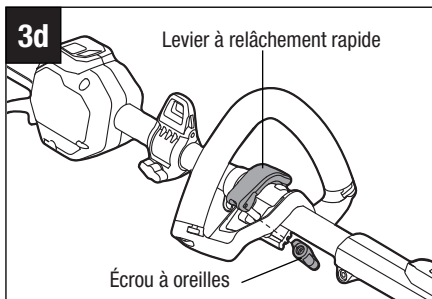
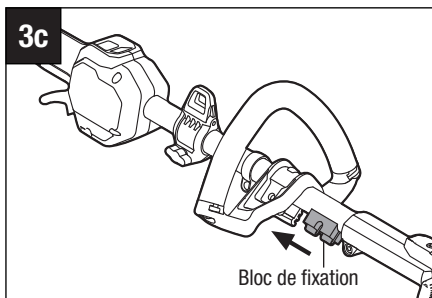
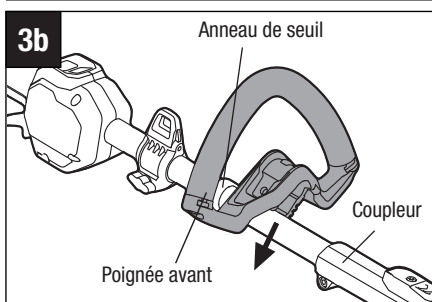
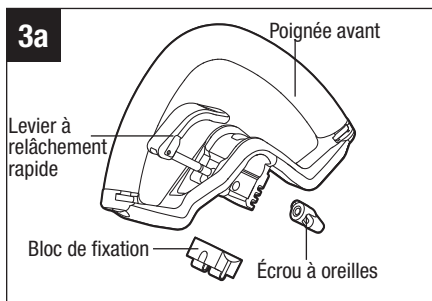
RETRAIT DE L'ATTACHEMENT DU BLOC MOTEUR.

1. Arrêtez le moteur et retirez le bloc-piles.
2. Desserrez le bouton à ailettes.
3. Appuyez sur le bouton d'éjection de l'arbre et, avec le bouton enfoncé, tirez ou tournez l'attache-ment pour le faire sortir du coupleur.

MONTAGE ET RÉGLAGE DE LA POIGNÉE AVANT À RÉGLAGE RAPIDE

⚠ AVERTISSEMENT: Retirez toujours le bloc-piles de ce produit lorsque vous assemblez des pièces, effectuez des réglages, faites un nettoyage ou n'utilisez pas le produit.

1. Arrêtez le moteur et retirez le bloc-piles, s'il avait été installé.
2. Desserrez et retirez le levier à relâchement rapide et l'écrou à oreilles de la poignée avant (Fig. 3a).
3. Poussez la poignée avant sur l'arbre dans la zone de montage entre l'anneau de seuil et le coupleur de l'arbre du bloc moteur (Fig. 3b).
4. Insérez le bloc de fixation dans la fente de la poignée (Fig. 3c).
5. Montez le levier à relâchement rapide et serrez l'écrou à oreilles. Assurez-vous que la poignée avant est positionnée vers le haut et est orientée vers le haut de la poignée arrière (Fig. 3d).



6. Tirez le levier à relâchement rapide vers le haut pour déplacer/faire tourner la poignée avant jusqu'à une position de fonctionnement confortable (Fig. 3e).

AVIS: La poignée avant doit être positionnée sur l'arbre uniquement à l'intérieur de la zone de montage, ne dépassant pas l'anneau de seuil, de sorte que la distance entre le centre des poignées soit d'au moins 9-7/8" (250 mm) pour un fonctionnement en toute sécurité. (Fig. 3e).

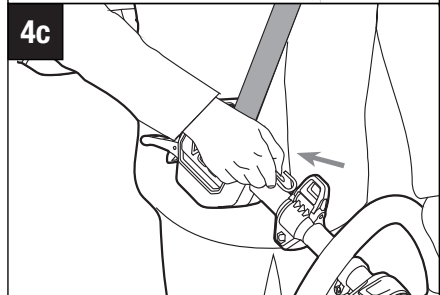
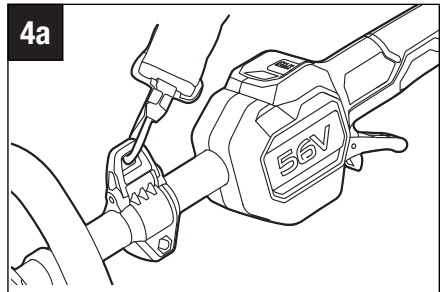
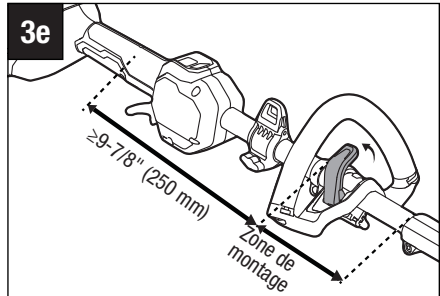
7. Engagez le levier à relâchement rapide afin de sécuriser la poignée avant en position.

⚠ AVERTISSEMENT: N'utilisez jamais l'outil sans que la poignée avant soit solidement sécurisée.

MONTAGE DE LA SANGLE DE PORT EN BANDOULIÈRE

Appuyez sur le mousqueton de la sangle pour l'ouvrir et le fixer sur la boucle de la sangle de port en bandoulière (Fig. 4a).

Il existe deux façons de relâcher la sangle. Retirez-la directement de votre épaule (Fig. 4b) ou appuyez sur le mousqueton et déconnectez la sangle pour port en bandoulière de la boucle de la sangle pour port en bandoulière (Fig. 4c).



Lorsque vous portez la sangle, vous ne devez rien porter d'autre qui puisse faire obstacle au relâchement et au retrait de la sangle.

⚠ AVERTISSEMENT: En cas d'urgence, retirez-la de votre épaule immédiatement, quel que soit le sens d'engagement de la sangle.

N'utilisez pas en même temps la sangle pour port en bandoulière simple et la sangle pour port en bandoulière double.

FONCTIONNEMENT

⚠ AVERTISSEMENT: Ne laissez pas l'habitude de l'utilisation de ce produit vous empêcher de prendre toutes les précautions requises. N'oubliez jamais qu'une fraction de seconde d'inattention suffit pour entraîner de graves blessures.

⚠ AVERTISSEMENT: Utilisez toujours un équipement de protection des yeux avec des écrans latéraux indiquant qu'il est conforme à la norme ANSI Z87.1. Si vous ne portez pas un tel dispositif de protection, vous pourriez subir des blessures graves, y compris en conséquence de la projection d'objets dans vos yeux..

⚠ AVERTISSEMENT: N'utilisez pas d'attachelements ou d'accessoires qui ne sont pas recommandés par le fabricant de ce produit. L'utilisation d'attachelements ou d'accessoires qui ne sont pas recommandés peut causer des blessures graves.

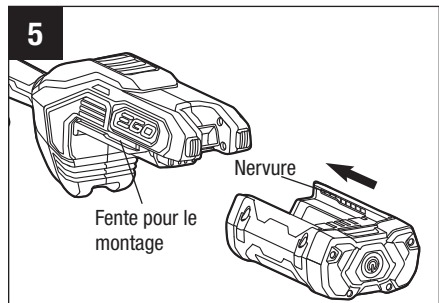
INSTALLATION/RETRAIT DU BLOC-PILES

⚠ AVERTISSEMENT: Retirez toujours le bloc-piles de ce produit lorsque vous assemblez des pièces, effectuez des réglages, faites un nettoyage ou n'utilisez pas le produit. Le retrait du bloc-piles empêchera une mise en marche accidentelle qui risquerait de causer des blessures graves.

REMARQUE: Chargez complètement le bloc-piles avant de vous en servir pour la première fois.

Installation du bloc-piles (Fig. 5)

1. Alignez les nervures du bloc-piles sur les fentes de montage de l'orifice conçu pour les piles dans le bloc moteur.
2. Enfoncez le bloc-piles contre le bloc-moteur jusqu'à ce qu'il s'enclenche à sa place.



REMARQUE : Assurez-vous que le loquet de verrouillage en bas du bloc-piles se met bien en place et le bloc-piles est bien assujéti au bloc moteur avant de commencer à utiliser l'outil. Si le bloc-piles n'est pas bien fixé en place, il risque de tomber et de provoquer des blessures graves.

Retrait du bloc-piles (Fig. 6)

⚠ AVERTISSEMENT: Contrôlez toujours la position de vos pieds et les endroits où se trouvent les enfants et les animaux domestiques avant d'appuyer sur le bouton d'éjection du bloc-piles. La chute du bloc-piles pourrait causer des blessures graves. Ne retirez JAMAIS le bloc-piles lorsque vous vous trouvez à un endroit surélevé.

1. Tenez le bloc-piles dans la paume de votre main.
2. Appuyez sur le bouton d'éjection des piles avec votre pouce ; le bloc-piles se détachera alors du loquet de verrouillage.
3. Saisissez le bloc-piles et retirez-le du bloc moteur.

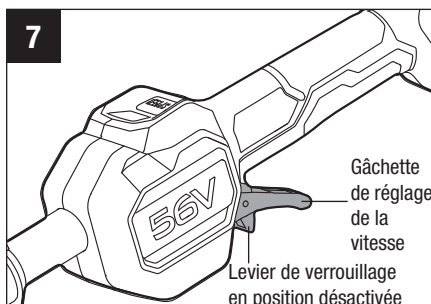
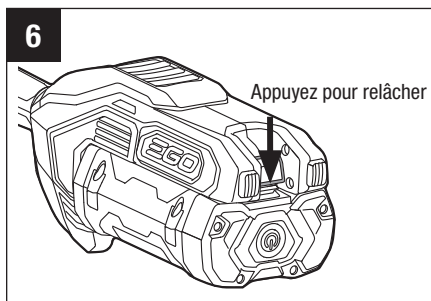
⚠ AVERTISSEMENT: Pour éviter toute blessure grave, retirez toujours le bloc-piles et gardez les mains à l'écart du levier de verrouillage en position désactivée et de la gâchette de réglage de la vitesse lorsque vous portez ou transportez l'outil.

DÉMARRAGE/ARRÊT DU BLOC MOTEUR

⚠ AVERTISSEMENT: N'UTILISEZ JAMAIS LE BLOC MOTEUR SANS ATTACHEMENT INSTALLÉ. N'essayez pas de démarrer le bloc moteur sans attachement installé.

Mise en marche du bloc moteur (Fig. 7)

1. Poussez le levier de verrouillage en position désactivée vers l'avant, puis appuyez sur la gâchette de réglage de la vitesse. Le bloc moteur se mettra alors sous tension.



2. La vitesse de rotation de l'outil est contrôlée par la gâchette de réglage de la vitesse. Une pression plus forte sur la gâchette produit une vitesse plus élevée ; une pression réduite sur la gâchette produit une vitesse plus basse. Réglez la vitesse en fonction de la tâche à accomplir.

AVIS : Le moteur ne se met en marche que lorsque le levier de verrouillage en position désactivée est déplacé vers l'avant et lorsque la gâchette de réglage de la vitesse est comprimée en même temps.

Arrêt du bloc moteur

Déplacez l'outil dans le sens opposé à la zone de coupe et relâchez la gâchette de réglage de la vitesse pour arrêter le bloc moteur.

⚠ AVERTISSEMENT: Retirez toujours le bloc-piles du bloc moteur pendant les pauses et après avoir fini votre travail.

Changement du mode de vitesse (Fig. 8)

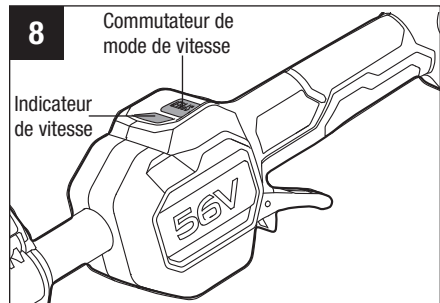
Le bloc moteur comporte deux modes de vitesse.

Appuyez sur le commutateur de mode de vitesse pour changer la vitesse de coupe entre la vitesse lente et la vitesse rapide.

L'indicateur de vitesse affichera l'état de la vitesse active : une lumière pour la vitesse lente et deux lumières pour la vitesse rapide.

Appuyez sur le commutateur de mode de vitesse pour choisir la vitesse appropriée pendant le fonctionnement.

Le mode de vitesse lente permet un meilleur contrôle de l'outil et une plus longue autonomie de fonctionnement par charge.



MAINTENANCE

⚠ AVERTISSEMENT: Avant d'inspecter, de nettoyer ou d'entretenir l'appareil, arrêtez le moteur, attendez l'arrêt de toutes les pièces mobiles et retirez le bloc-piles. Le non-respect de toutes les instructions risquerait de causer des blessures graves ou des dommages matériels.

⚠ AVERTISSEMENT: Lors de toute réparation, n'utilisez que des pièces de rechange identiques. L'utilisation de toutes autres pièces pourrait créer un danger ou endommager le produit.

AVIS: Avant chaque utilisation, inspectez périodiquement l'intégralité du produit pour vous assurer qu'il n'y a pas de pièces endommagées, manquantes ou desserrées comme des vis, des écrous, des boulons, des capuchons, etc. Serrez à fond tous les dispositifs de fixation et capuchons, et ne vous servez pas de ce produit avant que toutes les pièces manquantes ou endommagées aient été remplacées. Veuillez contacter le service à la clientèle ou un centre de service après-vente agréé pour obtenir de l'assistance.

MAINTENANCE GÉNÉRALE

Évitez d'utiliser des solvants lorsque vous nettoyez des pièces en plastique. La plupart des plastiques sont susceptibles d'être endommagés par divers types de solvants commerciaux, et ils pourraient l'être si vous les utilisez. Utilisez des chiffons propres pour retirer les saletés, la poussière, l'huile, la graisse, etc.

⚠ AVERTISSEMENT : Ne laissez jamais de liquide de frein, d'essence, de produits à base de pétrole, d'huiles pénétrantes, etc. entrer en contact avec des composants en plastique. Les produits chimiques peuvent endommager, affaiblir ou détruire le plastique, ce qui pourrait causer des blessures graves.

NETTOYAGE DU BLOC MOTEUR

1. Arrêtez le moteur et retirez le bloc-piles.
2. Nettoyez les saletés et les débris du bloc moteur à l'aide d'un chiffon humide et d'un détergent doux.

AVIS: N'utilisez pas de détergents trop forts sur le boîtier en plastique ou sur la poignée. Ces composants pourraient être endommagés par certaines huiles aromatiques comme le pin et le citron, et par des solvants tels que le kérosène.

RANGEMENT DU BLOC MOTEUR

1. Détachez le bloc-piles du bloc moteur avant de le ranger.
2. Nettoyez tous les corps étrangers pouvant se trouver sur le bloc moteur.
3. Rangez le bloc moteur à un endroit qui est hors de portée des enfants.
4. Tenez-le à distance des agents corrosifs tels que des produits chimiques de jardins et des sels pour faire fondre la glace.

RECHERCHE DE LA CAUSE DES PROBLÈMES

Voir le mode d'emploi de l'attache concerné.

GARANTIE LIMITÉE D'EGO

CONDITIONS ET DURÉE DE LA POLITIQUE DE GARANTIE

Chervon North America, Inc. (« Chervon North America ») accorde la Garantie limitée suivante pour les produits EGO à l'acheteur initial de produits EGO.

La période de garantie détaillée de chaque produit EGO est indiquée en ligne à l'adresse <http://egopowerplus.com/warranty-policy>.

Veillez contacter le Service à la clientèle d'EGO en téléphonant au 1-855-EGO-5656 (appel gratuit) à tout moment en cas de questions, si vous voulez vous prévaloir de la garantie ou si vous souhaitez obtenir une version sur papier de la garantie.

GARANTIE LIMITÉE DE SERVICE APRÈS-VENTE

Les produits EGO sont garantis contre tout défaut de matériel ou de fabrication à partir de la date d'achat au détail originale et pendant la période de garantie applicable.

Pour toute demande de garantie soumise correctement et dans les délais, si Chervon North America détermine qu'un produit est défectueux pendant la période de garantie, le produit sera réparé ou remplacé gratuitement, selon ce qui aura été déterminé par Chervon North America.

COMMENT OBTENIR DE L'ASSISTANCE DANS LE CADRE DU SERVICE APRÈS-VENTE

Pour obtenir de l'assistance dans le cadre de la garantie (pendant la période de garantie applicable), veuillez contacter le service à la clientèle d'EGO en téléphonant au **1-855-EGO-5656** (appel gratuit). Lorsque vous demandez de l'assistance dans le cadre de la garantie, vous devez présenter le reçu de vente original daté. Un centre de service après-vente agréé sera sélectionné pour évaluer et réparer le produit défectueux conformément aux conditions de garantie énoncées. Lorsque vous apportez votre produit au centre de service après-vente agréé, il se peut qu'une petite caution vous soit demandée lors du dépôt de votre outil. Cette caution est remboursable lorsque le service de réparation est considéré comme étant couvert par la garantie.

LIMITATIONS ET EXCLUSIONS SUPPLÉMENTAIRES

Cette garantie limitée ne s'applique qu'à l'acheteur initial d'un produit à un revendeur agréé EGO, et elle ne peut pas être cédée. Les produits EGO ne sont pas considérés comme défectueux et la présente garantie ne s'applique pas lorsque le défaut invoqué est imputable à une cause autre que les défauts définis ci-dessus. Cette garantie est nulle et non avenue si le produit a été utilisé à des fins de location. La présente garantie ne s'applique pas aux dommages causés par un accident, un abus, une mauvaise utilisation, une altération, une modification, une réparation non autorisée, un contact avec un liquide, un incendie, un tremblement de terre ou toute autre cause externe ; par une utilisation du produit en dehors des instructions, spécifications ou directives d'EGO ; ou par un manquement à l'entretien ou à la maintenance convenable du produit. Cette garantie ne s'applique pas non plus aux dommages esthétiques, y compris, mais sans s'y limiter, les rayures ou les bosses, ainsi qu'aux défauts causés par l'usure normale ou autrement dus au vieillissement normal du produit.

CETTE GARANTIE EXPRESSE EST DONNÉE EN LIEU ET PLACE DE TOUTE AUTRE GARANTIE, EXPRESSE OU IMPLICITE, Y COMPRIS, MAIS SANS S'Y LIMITER, TOUTE GARANTIE DE QUALITÉ MARCHANDE OU D'ADÉQUATION À UN USAGE PARTICULIER, QUI EST REJETÉE. Toute garantie implicite, y compris la garantie de qualité marchande ou d'adéquation à un usage particulier qui ne peut être rejetée en vertu de la loi de l'État ou de la province est limitée à la période de garantie applicable définie au début de cet article. Le seul et unique recours en rapport avec l'achat, l'installation, l'utilisation et/ou la performance des produits EGO est la réparation ou le remplacement du produit selon la décision de Chervon North America. La responsabilité maximale de Chervon North America ne dépassera en aucun cas le prix d'achat payé pour le produit. CHERVON NORTH AMERICA NE SERA PAS RESPONSABLE ENVERS L'UTILISATEUR OU TOUTE AUTRE PERSONNE DES DOMMAGES CONSÉCUTIFS, ACCIDENTELS, SPÉCIAUX, EXEMPLAIRES, INDIRECTS OU PUNITIFS RÉSULTANT DE L'UTILISATION DES PRODUITS, Y COMPRIS, MAIS SANS S'Y LIMITER, LES PRÉJUDICES CORPORELS, LA MORT, LES DOMMAGES MATÉRIELS, LA PERTE DE BÉNÉFICES OU TOUT AUTRE DOMMAGE ÉCONOMIQUE. Cette garantie vous confère des garanties juridiques particulières, et vous pouvez aussi avoir d'autres droits, qui varient selon l'État ou la province. Étant donné que certains États et certaines provinces ne permettent pas de limitations quant à la durée d'une garantie implicite ou ne permettent pas l'exclusion ou la limitation des dommages indirects ou secondaires, ou le délai de prescription pour intenter certaines actions, il est possible que les limitations contenues aux présentes ne s'appliquent pas à consommateurs dans ces États ou provinces.



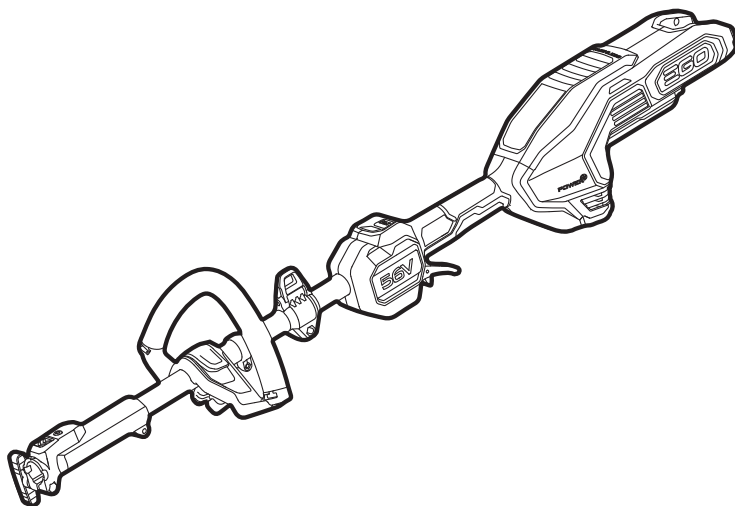
Cette garantie est soumise au droit du Michigan et doit être interprétée conformément au droit du Michigan sans tenir compte des principes de conflits de lois. Aucune action en justice ne pourra être intentée contre Chervon North America si elle n'est pas déposée dans un délai d'un (1) an après que le fondement de cette action en justice aura été connu, ou qu'il aurait dû l'être si une diligence raisonnable avait été exercée. Toute action non intentée dans les délais est réputée abandonnée.

Pour le service à la clientèle, contactez-nous en téléphonant au numéro suivant (appel gratuit) : **1-855-EGO-5656** ou **EGOPOWERPLUS.COM**.

EGO Customer Service,
769 Seward Ave. NW, Suite 102,
Grand Rapids, Michigan 49504.

EGO™

POWER⁺ POWER HEAD



PARA USO CON LOS ACCESORIOS DEL
CABEZAL MOTOR EGO POWER+

MANUAL DEL USUARIO

CABEZAL MOTOR CON BATERÍA DE IONES DE LITIO DE 56 VOLTIOS

MODELO NÚMERO PH1420/PH1420-FC

⚠ ADVERTENCIA: para reducir el riesgo de lesiones, el usuario debe leer y comprender el Manual del usuario antes de usar este producto. Guarde estas instrucciones para consultarlas en el futuro.

¡LEA TODAS LAS INSTRUCCIONES!



LEA Y ENTIENDA EL
MANUAL DEL OPERADOR

ÍNDICE

Símbolos de seguridad	57
Símbolos	58
Instrucciones generales de seguridad.....	59-64
Introducción.....	65
Especificaciones	65
Lista de empaquetamiento	66
Descripción	67-69
Ensamblaje	70-74
Utilización	75-77
Mantenimiento.....	78-79
Resolución de problemas	79
Garantía limitada de EGO.....	80-82

SÍMBOLOS DE SEGURIDAD

El propósito de los símbolos de seguridad es alertarlo sobre posibles peligros. Los símbolos de seguridad y sus explicaciones merecen una atención y comprensión minuciosas. Las advertencias de los símbolos, por sí mismas, no eliminan los peligros. Las instrucciones y las advertencias no sustituyen las medidas de prevención de accidentes que correspondan.

⚠️ ADVERTENCIA: Antes de utilizar esta herramienta, asegúrese de leer y comprender todas las instrucciones de seguridad en este Manual del propietario, incluidos todos los símbolos de alerta de seguridad como **“PELIGRO”**, **“ADVERTENCIA”** y **“PRECAUCIÓN”**. No seguir todas las instrucciones que se indican a continuación podría resultar en descargas eléctricas, incendios y/o lesiones personales graves.

Las definiciones que aparecen a continuación describen el nivel de gravedad de cada palabra de aviso. Por favor, lea el manual y preste atención a estos símbolos.	
	Este es el símbolo de alerta de seguridad. Se utiliza para alertarle a usted de posibles peligros de lesiones corporales. Obedezca todos los mensajes de seguridad que sigan a este símbolo para evitar posibles lesiones o la muerte.
⚠️ PELIGRO	PELIGRO indica una situación peligrosa que, si no se evita, causará la muerte o lesiones graves.
⚠️ ADVERTENCIA	ADVERTENCIA indica una situación peligrosa que, si no se evita, podría causar la muerte o lesiones graves.
⚠️ PRECAUCIÓN	PRECAUCIÓN, utilizada con el símbolo de alerta de seguridad, indica una situación peligrosa que, si no se evita, podría causar lesiones leves o moderadas.

MENSAJES DE PREVENCIÓN DE DAÑOS E INFORMACIÓN

Estos mensajes ofrecen al usuario información y/o instrucciones importantes que, de no seguirse, podrían causar daños al equipo u otros daños materiales. Antes de cada mensaje, aparece la palabra **“AVISO”**, como en el ejemplo a continuación:

AVISO: Si no se siguen estas instrucciones se pueden producir daños al equipo y/o daños materiales.

SÍMBOLOS

Esta página muestra y describe los símbolos de seguridad que es posible que aparezcan en este producto. Lea, entienda y siga todas las instrucciones que se encuentran en el producto antes de intentar ensamblarlo y utilizarlo.

	Alerta de seguridad	Indica un peligro potencial de producir lesiones.
	Lea y comprenda el Manual del usuario	Para reducir el riesgo de lesiones, el usuario debe leer y comprender el Manual del usuario antes de usar este producto.
	Use lentes de protección	Use siempre gafas de seguridad o anteojos con protección lateral y un protector facial al operar este producto.
	Símbolo de reciclaje	Este producto usa baterías de iones de litio (Li-ion). Es posible que las leyes municipales, provinciales o nacionales prohíban desechar las baterías con los residuos comunes. Consulte a la autoridad local en materia de residuos sobre las opciones de eliminación y reciclaje disponibles.
	Desconecte la batería antes de realizar mantenimiento	Alerta al usuario para que desconecte la batería antes de realizar mantenimiento.
IPX4	Grado de protección de admisión	Protección contra salpicaduras de agua.
V	Voltio	Voltaje
mm	milímetro	Longitud o tamaño
cm	Centímetro	Longitud o tamaño
in.	Pulgada	Longitud o tamaño
kg	Kilogramo	Peso
lb	Libra	Peso
	Corriente continua	Tipo o característica de la corriente

INSTRUCCIONES GENERALES DE SEGURIDAD

¡ADVERTENCIA! Lea todas las advertencias de seguridad, instrucciones, ilustraciones y especificaciones suministradas con esta herramienta eléctrica. Si no se siguen todas las instrucciones que se indican a continuación, es posible que el resultado sea descargas eléctricas, incendio y/o lesiones graves.

GUARDE TODAS LAS ADVERTENCIAS E INSTRUCCIONES PARA REFERENCIA FUTURA.

La expresión “herramienta eléctrica” que se incluye en las advertencias se refiere a su herramienta eléctrica alimentada por la red eléctrica (alámbrica) o su herramienta eléctrica alimentada por baterías (inalámbrica).

Seguridad en el área de trabajo

- **Mantenga el área de trabajo limpia y bien iluminada.** Las áreas desordenadas u oscuras invitan a que se produzcan accidentes.
- **No utilice herramientas eléctricas en atmósferas explosivas, tales como las existentes en presencia de líquidos, gases o polvos inflamables.** Las herramientas eléctricas generan chispas que es posible que prendan los polvos o los vapores.
- **Mantenga alejados a los niños y los curiosos mientras esté utilizando una herramienta eléctrica.** Las distracciones pueden hacer que usted pierda el control de la herramienta.

Seguridad eléctrica

- **Los enchufes de las herramientas eléctricas deben coincidir con el tomacorriente. No modifique nunca el enchufe de ninguna manera. No utilice enchufes adaptadores con herramientas eléctricas conectadas a tierra (puestas a masa).** Los enchufes no modificados y los tomacorrientes coincidentes reducirán el riesgo de descargas eléctricas.
- **Evite el contacto del cuerpo con las superficies conectadas a tierra o puestas a masa, tales como tuberías, radiadores, estufas de cocina y refrigeradores.** Hay un mayor riesgo de descargas eléctricas si su cuerpo está conectado a tierra o puesto a masa.

- **No utilice la máquina en la lluvia ni en condiciones mojadas.** Si entra agua en la máquina es posible que se aumente el riesgo de descargas eléctricas o malfuncionamiento que podría causar lesiones corporales.
- **No maltrate el cable. No utilice nunca dicho cable para transportar, jalar o desenchufar la herramienta eléctrica. Mantenga el cable alejado del calor, el aceite, los bordes afilados o las piezas móviles.** Los cables dañados o enredados aumentan el riesgo de descargas eléctricas.
- **Cuando utilice una herramienta eléctrica a la intemperie, use un cable de extensión que sea adecuado para uso a la intemperie.** La utilización de un cable de extensión adecuado para uso a la intemperie reduce el riesgo de descargas eléctricas.
- **Si es inevitable utilizar una herramienta eléctrica en un lugar húmedo, utilice una fuente de alimentación protegida por un interruptor de circuito accionado por corriente de pérdida a tierra (GFCI, por sus siglas en inglés).** El uso de un GFCI reduce el riesgo de descargas eléctricas.

Seguridad personal

- **Manténgase alerta, fíjese en lo que está haciendo y use el sentido común cuando utilice una herramienta eléctrica. No utilice una herramienta eléctrica cuando esté cansado o bajo la influencia de drogas, alcohol o medicamentos.** Es posible que un momento de descuido mientras se estén utilizando herramientas eléctricas cause lesiones corporales graves.
- **Use equipo de protección personal.** Use siempre protección ocular. El equipo de protección, tal como una máscara antipolvo, zapatos de seguridad antideslizantes, casco o protección de la audición, utilizado según lo requieran las condiciones, reducirá las lesiones corporales.
- **Evite los arranques accidentales. Asegúrese de que el interruptor esté en la posición de apagado antes de conectar la herramienta a una fuente de alimentación y/o a un paquete de batería, levantar la herramienta o transportarla.** Si se transportan herramientas eléctricas con el dedo en el interruptor o si se suministra corriente a herramientas eléctricas que tengan el interruptor en la posición de encendido se invita a que se produzcan accidentes.
- **Retire todas las llaves de ajuste o de tuerca antes de encender la herramienta eléctrica.** Es posible que una llave de ajuste o de tuerca que se deje sujeta a una pieza rotativa de la herramienta eléctrica cause lesiones corporales.

- **No intente alcanzar demasiado lejos. Mantenga un apoyo de los pies y un equilibrio adecuados en todo momento.** Esto permite un mejor control de la herramienta eléctrica en situaciones inesperadas.
- **Vístase adecuadamente. No use ropa holgada ni joyas. Mantenga el pelo y la ropa alejados de las piezas móviles.** La ropa holgada, las joyas o el pelo largo pueden quedar atrapados en las piezas móviles.
- **Si se proporcionan dispositivos para la conexión de instalaciones de extracción y recolección de polvo, asegúrese de que dichos dispositivos estén conectados y se utilicen correctamente.** El uso de recolección de polvo puede reducir los peligros relacionados con el polvo.
- **No deje que la familiaridad obtenida del uso frecuente de las herramientas le permita volverse complaciente e ignorar los principios de seguridad de la herramienta.** Una acción descuidada puede causar lesiones graves en una fracción de segundo.

Uso y cuidado de la herramienta eléctrica

- **No fuerce la herramienta eléctrica.** Utilice la herramienta eléctrica correcta para la aplicación que vaya a realizar. La herramienta eléctrica correcta hará el trabajo mejor y de manera más segura a la capacidad nominal para la que fue diseñada.
- **No utilice la herramienta eléctrica si el interruptor no la enciende y apaga.** Cualquier herramienta eléctrica que no se pueda controlar con el interruptor es peligrosa y debe ser reparada.
- **Desconecte el enchufe de la fuente de alimentación y/o retire el paquete de batería de la herramienta eléctrica, si es retirable, antes de hacer cualquier ajuste, cambiar accesorios o almacenar herramientas eléctricas.** Dichas medidas preventivas de seguridad reducen el riesgo de arrancar accidentalmente la herramienta eléctrica.
- **Almacene las herramientas eléctricas inactivas fuera del alcance de los niños y no deje que las personas que no estén familiarizadas con la herramienta eléctrica o estas instrucciones utilicen dicha herramienta.** Las herramientas eléctricas son peligrosas en las manos de usuarios que no hayan recibido capacitación.

- **Realice mantenimiento de las herramientas eléctricas y los accesorios.** Compruebe si hay desalineación o atoramiento de las piezas móviles, rotura de piezas y cualquier otra situación que pueda afectar al funcionamiento de la herramienta eléctrica. Si la herramienta eléctrica está dañada, haga que la reparen antes de utilizarla. Muchos accidentes son causados por herramientas eléctricas mantenidas deficientemente.
- **Mantenga las herramientas de corte afiladas y limpias.** Las herramientas de corte con bordes de corte afilados que reciben un mantenimiento adecuado tienen menos probabilidades de atorarse y son más fáciles de controlar.
- **Utilice la herramienta eléctrica, los accesorios y las brocas de la herramienta, etc., de acuerdo con estas instrucciones, teniendo en cuenta las condiciones de trabajo y la tarea que se vaya a realizar.** El uso de la herramienta eléctrica para operaciones distintas a las previstas podría causar una situación peligrosa.
- **Mantenga los mangos y las superficies de agarre secos, limpios y libres de aceite y grasa.** Los mangos y las superficies de agarre resbalosos no permiten un manejo y un control seguros de la herramienta en situaciones inesperadas.

Uso y cuidado de las herramientas a batería

- **Recargue las baterías solo con el cargador especificado por el fabricante.** Es posible que un cargador que sea adecuado para un tipo de paquete de batería cree un riesgo de incendio cuando se utilice con otro paquete de batería.
- **Utilice las herramientas eléctricas solo con paquetes de batería designados específicamente.** Es posible que el uso de cualquier otro paquete de batería cree un peligro de lesiones e incendio.
- **Cuando el paquete de batería no se esté utilizando, manténgalo alejado de otros objetos metálicos, tales como clips sujetapapeles, monedas, llaves, clavos, tornillos u otros objetos metálicos pequeños, que puedan hacer una conexión de un terminal al otro.** Si se cortocircuitan juntos los terminales de la batería, es posible que se causen quemaduras o un incendio.
- **En condiciones abusivas es posible que se expulse líquido de la batería; evite el contacto. Si se produce contacto accidentalmente, enjuáguese con agua. Si el líquido entra en contacto con los ojos, obtenga además ayuda médica.** Es posible que el líquido expulsado de la batería cause irritación o quemaduras.
- **No utilice un paquete de batería o una herramienta que estén dañados o modificados.** Es posible que las baterías dañadas o modificadas exhiban un comportamiento imprevisible que cause incendio, explosión o riesgo de lesiones.

- **No exponga un paquete de batería o una herramienta a un fuego o a una temperatura excesiva.** Es posible que la exposición a un fuego o a una temperatura superior a 265 °F (130 °C) cause una explosión.
- **Siga todas las instrucciones de carga y no cargue el paquete de batería ni la herramienta fuera del intervalo de temperatura especificado en las instrucciones.** Es posible que la realización de la carga de manera inadecuada o a temperaturas que estén fuera del intervalo especificado dañe la batería y aumente el riesgo de incendio.

Servicio de ajustes y reparaciones

- **Haga que su herramienta eléctrica reciba servicio de ajustes y reparaciones por un técnico de reparaciones calificado que utilice únicamente piezas de repuesto idénticas.** Esto garantizará que se mantenga la seguridad de la herramienta eléctrica.
- **No haga nunca servicio de ajustes y reparaciones de paquetes de batería dañados.** El servicio de ajustes y reparaciones de los paquetes de batería deberá ser realizado solo por el fabricante o por proveedores de servicio autorizados.
- **Utilice el producto solo con los paquetes de batería y los cargadores que se indican a continuación:**

PAQUETES DE BATERÍAS	CARGADOR
BA1400, BA1400-FC, BA2800, BA2800-FC, BA4200, BA4200-FC, BA1400T, BA1400T-FC, BA2242T, BA2242T-FC, BA2800T, BA2800T-FC, BA3360T, BA3360T-FC, BA4200T, BA4200T-FC, BA4480T, BA4480T-FC, BA5600T, BA5600T-FC, BA6720T, BA6720T-FC	CH2100, CH2100-FC, CH3200, CH3200-FC, CH5500, CH5500-FC, CH2800D, CH2800D-FC, CH7000, CH7000-FC

- Este cabezal motriz de 56 V PH1420/PH1420-FC se puede utilizar solo con los siguientes aditamentos EGO:

TIPO DE ACCESORIO	NÚMERO DE MODELO
Orilladora de hilo	STA1600/STA1600-FC
Aditamento de desbrozadora	BCA1220/BCA1220-FC
Cortadora de orillas	HTA2000/HTA2000-FC/ HTA2020/HTA2020-FC
Podadora de altura	PSA1000/PSA1000-FC /PSA1020/PSA1020-FC
Orilladora de hilo	STA1500/STA1500-FC
Bordeadora	EA0800/EA0800-FC /EA0820/EA0820-FC
Cultivadora	CTA9500/CTA9500-FC
Cepillo de cerdas	BBA2100/BBA2100-FC
Escoba de caucho	RBA2100/RBA2100-FC
Pala quitanieves	SSA1200/SSA1200-FC

GUARDE ESTAS INSTRUCCIONES!

EN EL MANUAL DEL USUARIO CORRESPONDIENTE AL ACCESORIO SE PUEDEN ENCONTRAR NORMAS ESPECÍFICAS DE SEGURIDAD ADICIONALES.

INTRODUCCIÓN

Felicitaciones por elegir el cabezal motor EGO de iones de litio de 56 voltios. Este está pensado, diseñado y fabricado para brindarle el mejor rendimiento y la mejor confiabilidad posibles.


En caso de que tuviera algún problema que no pudiera resolver fácilmente, póngase en contacto con el Centro de Servicio al Cliente de EGO al 1-855-EGO-5656.

Este manual contiene información importante para el ensamblaje, la operación y el mantenimiento seguro de su producto. Léalo atentamente antes de usar el producto.

Mantenga este manual a mano para poder consultarlo en cualquier momento.

NÚMERO DE SERIE _____ FECHA DE COMPRA _____
DEBE ANOTAR EL NÚMERO DE SERIE Y LA FECHA DE COMPRA Y CONSERVARLOS EN UN LUGAR SEGURO PARA CONSULTARLOS EN EL FUTURO.

ESPECIFICACIONES

Tensión	56 V 
Peso	6,2 lb.(2,82 kg)
Temperatura de funcionamiento recomendada	5°F-104°F(-15°C-40°C)
Temperatura de almacenamiento recomendada	-4°F-158°F(-20°C-70°C)

ACCESORIOS RECOMENDADOS

NOMBRE DE LA PIEZA	NÚMERO DEL MODELO
Bandolera	AP1500

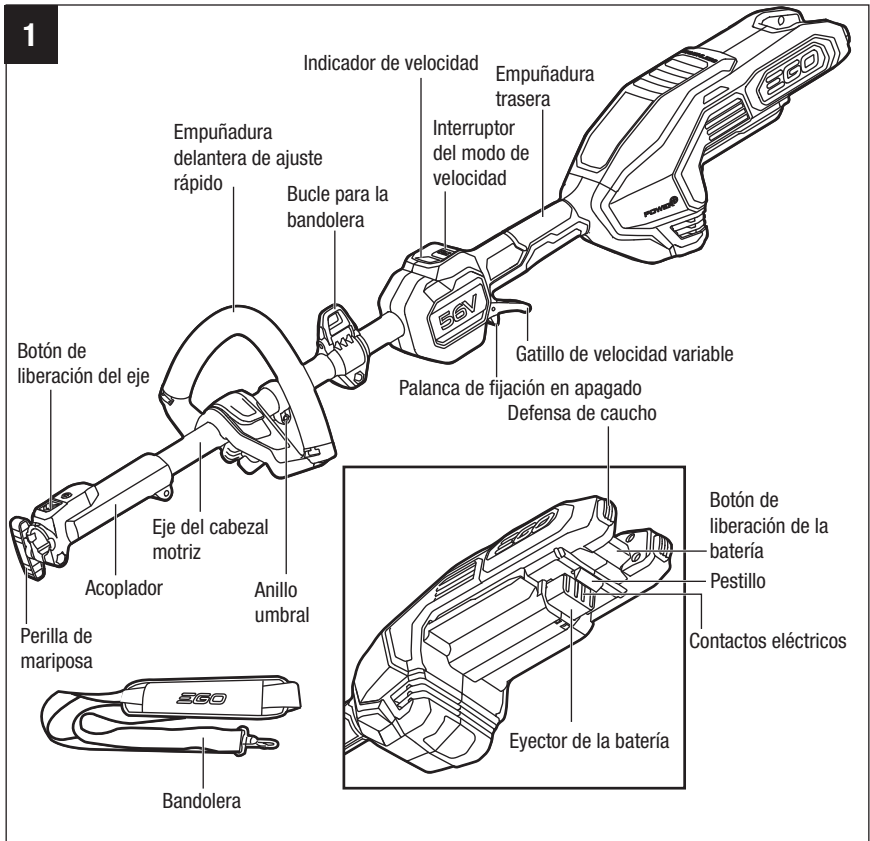
LISTA DE EMPAQUETAMIENTO

NOMBRE DE LA PIEZA	CANTIDAD
Cabezal motriz	1
Empuñadura delantera de ajuste rápido	1
Manual del operador	1
Bandolera	1

DESCRIPCIÓN

CONOZCA SU CABEZAL MOTRIZ (Fig. 1)

El uso seguro de este producto requiere entender la información que está en la herramienta y en este manual del operador, así como tener conocimiento del proyecto que se esté intentando realizar. Antes de utilizar este producto, familiarícese con todas las características de funcionamiento y todas las normas de seguridad.



EMPUÑADURA DELANTERA DE AJUSTE RÁPIDO

Se ajusta para facilitar la utilización y ayudar a prevenir la pérdida de control.

EMPUÑADURA TRASERA

La empuñadura ergonómica con sobremoldura mejora la comodidad y el agarre.

PALANCA DE FIJACIÓN EN APAGADO

Ayuda a prevenir la activación accidental o no autorizada del gatillo. Se debe mover hacia delante antes de que se pueda activar el gatillo.

GATILLO DE VELOCIDAD VARIABLE

Para encender y apagar la herramienta y controlar la velocidad.

INTERRUPTOR DEL MODO DE VELOCIDAD

Proporciona un modo de velocidad alta y baja para las diferentes tareas que se vayan a realizar.

ACOPLADOR

Ayuda a conectar rápidamente el eje del aditamento.

BOTÓN DE LIBERACIÓN DEL EJE

Para liberar el eje del aditamento.

PERILLA DE MARIPOSA

Aprieta la conexión del acoplador y el eje del aditamento.

BOTÓN DE LIBERACIÓN DE LA BATERÍA

Libera el paquete de batería de la herramienta.

PESTILLO

Sujeta firmemente el paquete de batería a la herramienta.

EYECTOR DE LA BATERÍA

Mecanismo accionado por resorte que ayuda a retirar la batería.

DEFENSA DE CAUCHO

Ayuda a proteger la carcasa contra los impactos durante el uso.

BANDOLERA

Un arnés que el operador se debe poner para tener soporte y equilibrio durante las operaciones de corte.

ENSAMBLAJE

⚠ ADVERTENCIA: Si alguna de las piezas está dañada o falta, no utilice este producto hasta que las piezas hayan sido reemplazadas. La utilización de este producto con piezas dañadas o si le faltan piezas podría causar lesiones corporales graves.

⚠ ADVERTENCIA: No intente modificar este producto ni crear accesorios no recomendados para utilizarse con este cabezal motriz. Cualquiera de dichas alteraciones o modificaciones constituye un uso incorrecto y podría provocar una situación peligrosa que cause posibles lesiones corporales graves.

⚠ ADVERTENCIA: Retire siempre el paquete de batería del producto cuando esté ensamblando piezas, haciendo ajustes o realizando limpieza, o cuando el producto no se esté utilizando.

DESEMPAQUETADO

- Este producto requiere ensamblaje.
- Saque cuidadosamente el producto y todos los accesorios de la caja. Asegúrese de que todos los artículos indicados en la lista de empaquetamiento estén incluidos.

⚠ ADVERTENCIA: No utilice este producto si cualquiera de las piezas de la lista de empaquetamiento ya está ensamblada en el producto cuando lo desempaque. Las piezas incluidas en esta lista no son ensambladas en el producto por el fabricante y requieren instalación por el cliente. La utilización de un producto que pueda haber sido ensamblado incorrectamente podría causar lesiones corporales graves.

- Inspeccione minuciosamente la herramienta para asegurarse de que no se hayan producido roturas o daños durante el envío.
- No deseche el material de empaquetamiento hasta que haya inspeccionado minuciosamente y utilizado satisfactoriamente la herramienta.
- Si alguna pieza está dañada o falta, sírvase devolver el producto al lugar de compra.

INSTALACIÓN DE UN ADITAMENTO DEL CABEZAL MOTRIZ

⚠ ADVERTENCIA: Lea y entienda todo el manual del operador para cada aditamento opcional utilizado con este cabezal motriz y siga todas las advertencias e instrucciones. Si no se siguen todas las instrucciones, el resultado podría ser descargas eléctricas, incendio y/o lesiones corporales graves.

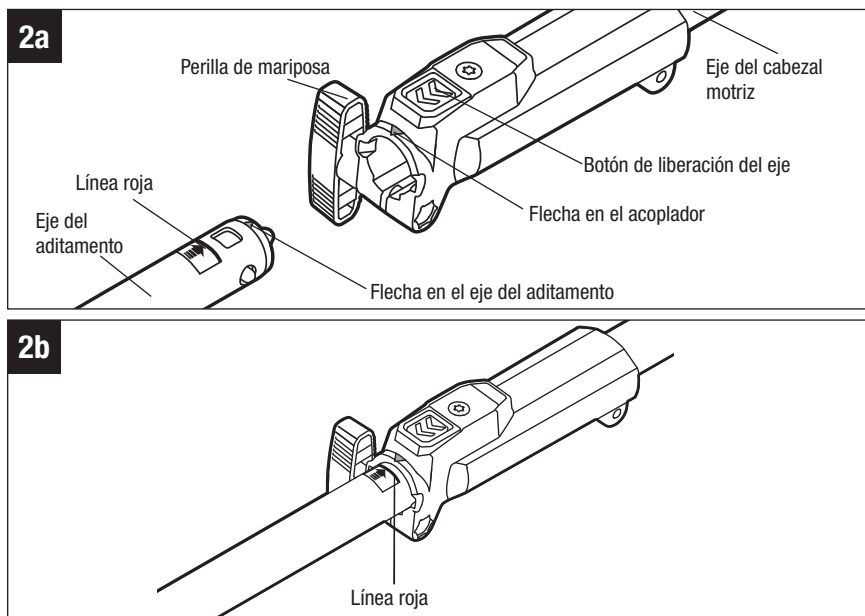
⚠ ADVERTENCIA: Este cabezal motriz de 56 V PH1420/PH1420-FC está diseñado para utilizarse solo con los modelos de aditamento EGO que se especifican en este manual del operador o que sean introducidos posteriormente por EGO para utilizarse con este cabezal motriz. La utilización de otros aditamentos no autorizados podría causar lesiones corporales graves o daños materiales.

⚠ ADVERTENCIA: Algunos accesorios tienen requisitos específicos relacionados con la seguridad. Preste siempre atención especial a dichas instrucciones en el manual que acompaña a cada accesorio.

⚠ ADVERTENCIA: No instale, retire ni ajuste nunca un aditamento mientras el cabezal motriz esté en funcionamiento o con la batería instalada. Si no se detiene el motor y no se retira la batería, el resultado puede ser lesiones corporales graves. **NO UTILICE NUNCA EL CABEZAL MOTRIZ SIN UN ADITAMENTO.**

El aditamento se conecta al cabezal motriz por medio de un dispositivo de acoplador.

1. Pare el motor y retire el paquete de batería.
2. Afloje la perilla de mariposa.
3. Retire la tapa de extremo del aditamento y colóquela en un lugar seguro para utilizarse más tarde. Alinee la flecha ubicada en el eje del aditamento con la flecha ubicada en el acoplador (Fig. 2a) y empuje el eje del aditamento hacia el interior del acoplador hasta que oiga un sonido de “clic” nítido. El acoplador se deberá posicionar de manea que llegue completamente hasta la LÍNEA ROJA etiquetada en el eje para que el eje del aditamento esté montado adecuadamente en la posición correcta (Fig. 2b).



4. Jale el eje del aditamento para verificar que esté firmemente bloqueado en el interior del acoplador. Si no lo está, rote el eje del aditamento de un lado a otro en el acoplador hasta que se acople a presión en la posición correcta.
5. Apriete firmemente la perilla de mariposa.

⚠ ADVERTENCIA: Asegúrese de que la perilla de mariposa esté completamente apretada antes de utilizar el equipo; compruébela periódicamente su apriete durante el uso para evitar lesiones corporales graves.

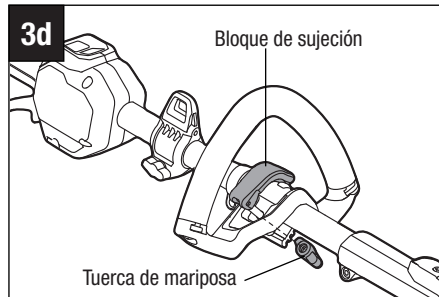
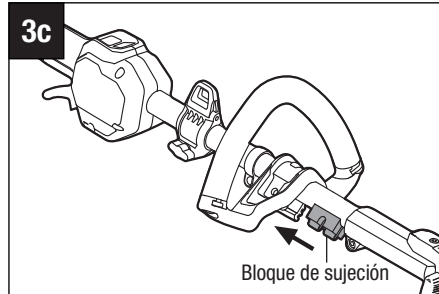
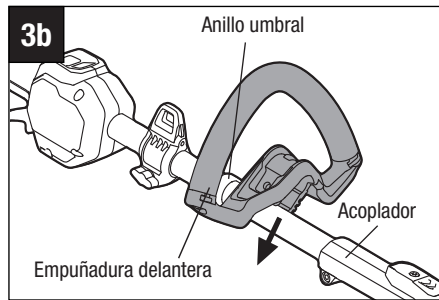
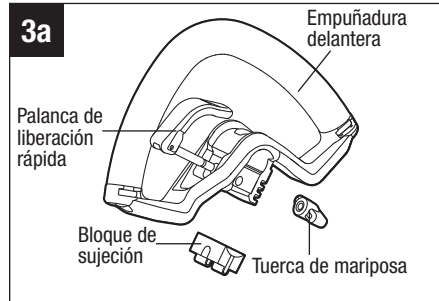
DESINSTALACIÓN DEL ADITAMENTO DEL CABEZAL MOTRIZ

1. Pare el motor y retire el paquete de batería.
2. Afloje la perilla de mariposa.
3. Presione el botón de liberación del eje y, con el botón presionado, jale o gire el eje del aditamento hacia fuera hasta sacarlo del acoplador.

MONTAJE Y AJUSTE DE LA EMPUÑADURA DELANTERA DE AJUSTE RÁPIDO

ADVERTENCIA: Retire siempre el paquete de batería del producto cuando esté ensamblando piezas, haciendo ajustes o realizando limpieza, o cuando el producto no se esté utilizando.

1. Pare el motor y retire el paquete de batería, si está instalado.
2. Afloje y retire la palanca de liberación rápida y la tuerca de mariposa de la empuñadura delantera (Fig. 3a).
3. Empuje la empuñadura delantera sobre el eje dentro de la zona de montaje entre el anillo umbral y el acoplador sobre el eje del cabezal motriz (Fig. 3b).
4. Inserte el bloque de sujeción en la ranura de la empuñadura (Fig. 3c).
5. Monte la palanca de liberación rápida y apriete la tuerca de mariposa. Asegúrese de que la empuñadura delantera esté posicionada hacia arriba y que apunte hacia la parte superior de la empuñadura trasera (Fig. 3d).
6. Jale hacia arriba la palanca de liberación rápida para mover/rotar la empuñadura delantera hasta una posición de utilización cómoda (Fig. 3e).



AVISO: La empuñadura delantera se deberá posicionar sobre el eje solo dentro de la zona de montaje, sin exceder el anillo de umbral, de modo que la distancia entre el centro de las manijas sea de al menos 9-7/8" (250 mm) para una operación segura. (Fig. 3e).

7. Acople la palanca de liberación rápida para fijar la empuñadura delantera en la posición correcta.

⚠ ADVERTENCIA: No utilice nunca la herramienta sin tener la empuñadura delantera firmemente instalada.

MONTAJE DE LA BANDOLERA

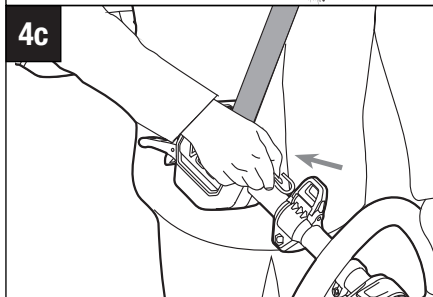
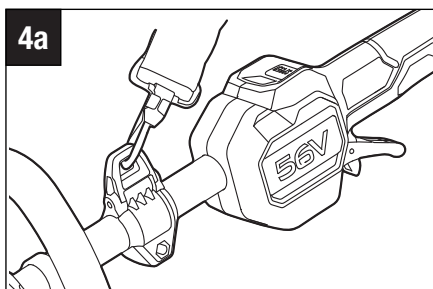
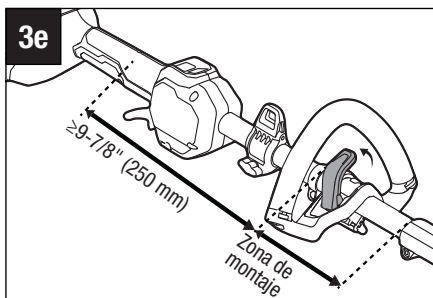
Presione el mosquetón de la bandolera para abrirlo y fíjelo en el bucle para la bandolera (Fig. 4a).

Hay dos maneras de liberar la bandolera. Retírela directamente del hombro (Fig. 4b) o presione el mosquetón y desconecte la bandolera del bucle para la bandolera (Fig. 4c).

Cuando tenga puesta la bandolera, ningún otro elemento ponible deberá interferir con la liberación ni la remoción de la bandolera.

ADVERTENCIA: Cuando se produzca una emergencia, quítese inmediatamente la bandolera del hombro, sin importar de qué manera esté colocada.

Usted no deberá utilizar simultáneamente la bandolera sencilla y la bandolera doble.



UTILIZACIÓN

⚠ ADVERTENCIA: No deje que la familiaridad con este producto le haga volverse descuidado. Recuerde que una fracción de segundo de descuido es suficiente para causar lesiones graves.

⚠ ADVERTENCIA: Use siempre anteojos de seguridad o gafas de seguridad con escudos laterales marcados para cumplir con la norma ANSI Z87.1. Si no se hace así, el resultado podría ser que se lancen objetos hacia los ojos del operador y otras posibles lesiones graves.

⚠ ADVERTENCIA: No utilice aditamentos ni accesorios no recomendados por el fabricante de este producto. El uso de aditamentos o accesorios no recomendados puede causar lesiones corporales graves.

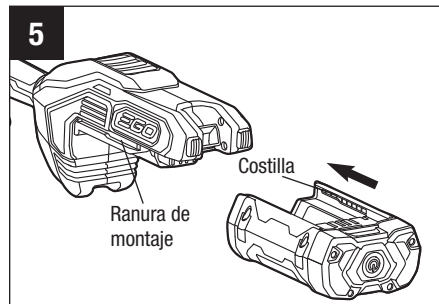
INSTALACIÓN/DESINSTALACIÓN DEL PAQUETE DE BATERÍA

⚠ ADVERTENCIA: Retire siempre el paquete de batería del producto cuando esté ensamblando piezas, haciendo ajustes o realizando limpieza, o cuando la herramienta no se esté utilizando. La desinstalación del paquete de batería prevendrá los arranques accidentales que podrían causar lesiones corporales graves.

NOTA: Cargue completamente el paquete de batería antes del primer uso.

Para instalar el paquete de batería (Fig. 5)

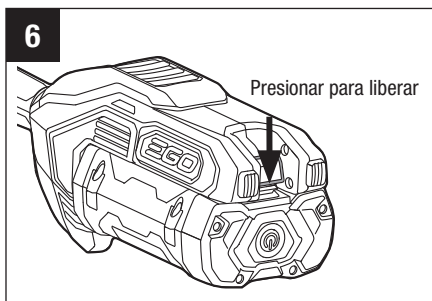
1. Alinee las costillas del paquete de batería con las ranuras de montaje ubicadas en el puerto de la batería del cabezal motriz.
2. Presione el paquete de batería hacia el cabezal motriz hasta que se acople a presión en la posición correcta.



NOTA: Asegúrese de que el pestillo ubicado en la parte inferior del paquete de batería se acople a presión en la posición correcta y que el paquete de batería esté fijo en el cabezal motriz antes de comenzar la utilización. Si el paquete de batería no se asienta firmemente, el resultado podría ser que el paquete de batería se caiga y cause lesiones corporales graves.

Para desinstalar el paquete de batería (Fig. 6)

⚠ ADVERTENCIA: Esté siempre atento a la ubicación de sus pies, los niños o los animales domésticos cuando presione la palanca de liberación de la batería. Se podrían producir lesiones graves si el paquete de batería se cae. No retire NUNCA el paquete de batería en un lugar elevado.



1. Sostenga el paquete de batería en la palma de la mano.
2. Presione el botón de liberación de la batería con el dedo pulgar; el paquete de batería se desacoplará del pestillo.
3. Agarre el paquete de batería y retírelo del cabezal motriz.

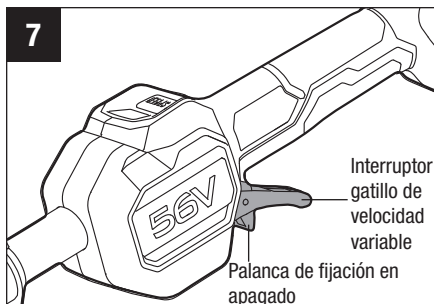
⚠ ADVERTENCIA: Para evitar lesiones corporales graves, retire siempre el paquete de batería y mantenga las manos alejadas de la palanca de fijación en apagado y del gatillo de velocidad variable cuando lleve o transporte la herramienta.

ARRANQUE/PARADA DEL CABEZAL MOTRIZ

⚠ ADVERTENCIA: NO UTILICE NUNCA EL CABEZAL MOTRIZ SIN UN ADITAMENTO. No intente arrancar el cabezal motriz sin un aditamento.

Para arrancar el cabezal motriz (Fig. 7)

1. Mueva hacia delante la palanca de fijación en apagado y luego presione el gatillo de velocidad variable. El cabezal motriz arrancará.
2. La velocidad rotacional de la herramienta se controla con el gatillo de velocidad variable. Más presión en el gatillo produce una velocidad más alta; menos presión en el gatillo produce una velocidad más baja. Ajuste la velocidad para que se adecue a la tarea que se esté realizando.



AVISO: El motor arranca solo al mover hacia delante la palanca de fijación en apagado y presionar al mismo tiempo el gatillo de velocidad variable.

Para detener el cabezal motriz

Mueva la herramienta alejándola del área de corte y suelte el gatillo de velocidad variable para detener el cabezal motriz.

⚠ ADVERTENCIA: Retire siempre el paquete de batería del cabezal motriz antes de las pausas de descanso del trabajo y después de acabar el trabajo.

Cambio del modo de velocidad (Fig. 8)

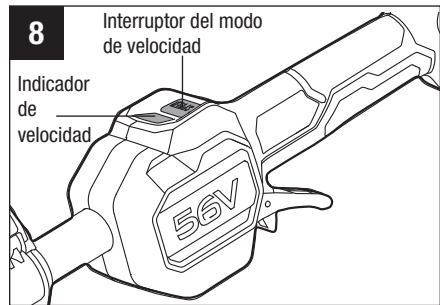
El cabezal motriz cuenta con dos modos de velocidad.

Presione el interruptor del modo de velocidad para cambiar la velocidad de corte entre baja y alta.

El indicador de velocidad mostrará el estado de velocidad activo: una luz para velocidad baja y dos luces para velocidad alta.

Presione el interruptor del modo de velocidad para seleccionar la velocidad adecuada durante la utilización.

El modo de velocidad baja proporciona un mejor control de la herramienta y un tiempo de funcionamiento más prolongado por carga.



MANTENIMIENTO

⚠ ADVERTENCIA: Antes de inspeccionar la unidad, limpiarla o hacerle servicio de ajustes y reparaciones, pare el motor, espere a que todas las piezas móviles se detengan y retire el paquete de batería. Si no se siguen estas instrucciones, el resultado puede ser lesiones corporales graves o daños materiales.

⚠ ADVERTENCIA: Cuando haga servicio de ajustes y reparaciones, utilice únicamente piezas de repuesto idénticas. El uso de cualquier otra pieza puede crear un peligro o causar daños al producto.

AVISO: Antes de cada uso, inspeccione todo el producto para determinar si hay piezas dañadas, si faltan piezas o si hay piezas flojas, tales como tornillos, tuercas, pernos, tapas, etc. Apriete firmemente todos los sujetadores y todas las tapas, y no utilice este producto hasta que todas las piezas que falten o estén dañadas hayan sido reemplazadas. Sírvase contactar a servicio al cliente o a un centro de servicio calificado para obtener asistencia.

MANTENIMIENTO GENERAL

Evite utilizar solventes cuando limpie piezas de plástico. La mayoría de los plásticos son susceptibles de sufrir daños causados por diversos tipos de solventes comerciales y es posible que resulten dañados por el uso de dichos solventes. Use un paño limpio para eliminar la suciedad, el polvo, el aceite, la grasa, etc.

⚠ ADVERTENCIA: No deje en ningún momento que líquidos de freno, gasolina, productos a base de petróleo, aceites penetrantes, etc., entren en contacto con las piezas de plástico. Las sustancias químicas pueden dañar, debilitar o destruir el plástico, lo cual puede causar lesiones corporales graves.

LIMPIEZA DEL CABEZAL MOTRIZ

1. Pare el motor y retire el paquete de batería.
2. Elimine la suciedad y los residuos del cabezal motriz utilizando un paño húmedo con un detergente suave.

AVISO: No utilice detergentes fuertes en la carcasa de plástico ni en la empuñadura. Las piezas de plástico pueden resultar dañadas por ciertos aceites aromáticos, tales como los de pino y limón, y por solventes tales como el queroseno.

ALMACENAMIENTO DEL CABEZAL MOTRIZ

1. Retire el paquete de batería del cabezal motriz antes de almacenarlo.
2. Elimine todo material extraño del cabezal motriz.
3. Almacénelo en un lugar que sea inaccesible para los niños.
4. Mantenga el producto alejado de los agentes corrosivos, tales como sustancias químicas de jardín y sales anticongelantes.

RESOLUCIÓN DE PROBLEMAS

Consulte el manual del operador del aditamento que corresponda.

GARANTÍA LIMITADA DE EGO

TÉRMINOS Y DURACIÓN DE LA PÓLIZA DE GARANTÍA

Chervon North America, Inc. (“Chervon North America”), proporciona la siguiente Garantía Limitada para los productos EGO al comprador original de productos EGO.

El período de garantía detallado de cada producto EGO se puede encontrar en línea en <http://egopowerplus.com/warranty-policy>.

Sírvase contactar a Servicio al Cliente de EGO llamando gratis al 1-855-EGO-5656 en cualquier momento en que tenga preguntas o reclamos de garantía, o si desea obtener una copia impresa de la garantía.

GARANTÍA LIMITADA DE SERVICIO

Los productos EGO están garantizados contra defectos de material o de fabricación a partir de la fecha de compra minorista original durante el período de garantía aplicable. Para cualquier reclamo de garantía presentado de manera adecuada y oportuna, si Chervon North America determina que un producto presenta algún defecto durante el período de garantía, dicho producto recibirá una reparación o un remplazo gratuitos, según lo determine Chervon North America.

CÓMO OBTENER SERVICIO

Para obtener servicio de garantía, dentro del período de garantía aplicable, sírvase contactar a servicio al cliente de EGO llamando gratis al **1-855-EGO-5656**. Cuando solicite servicio de garantía, deberá presentar el recibo de venta fechado original. Se seleccionará un centro de servicio autorizado para evaluar y reparar el producto si el mismo presenta algún defecto de acuerdo con los términos establecidos en la garantía. Cuando lleve su producto al centro de servicio autorizado, es posible que se requiera un pequeño depósito cuando deje allí su herramienta. Este depósito es reembolsable cuando se considere que el servicio de reparaciones esté cubierto bajo garantía.

LIMITACIONES Y EXCLUSIONES ADICIONALES

Esta garantía limitada se aplica solo al comprador original que realice la compra a un minorista EGO autorizado y no es transferible. Los productos EGO no serán considerados defectuosos, y esta garantía no se aplicará, en los casos en que el defecto por el que se presente el reclamo sea atribuible a cualquier causa que no

sean los defectos definidos anteriormente en este documento. Esta garantía quedará anulada si el producto se ha utilizado para fines de alquiler. Esta garantía no se aplicará a daños causados por accidente, abuso, uso incorrecto, alteración, modificación, reparación no autorizada, contacto con líquidos, incendio, terremoto u otra causa externa; utilización del producto sin seguir las instrucciones, especificaciones o pautas de EGO; o no hacer servicio de ajustes y reparaciones o no mantener adecuadamente el producto. Esta garantía tampoco se aplica a los daños cosméticos, incluyendo, pero sin limitarse a ello, rasguñaduras o abolladuras; defectos causados por el desgaste por el uso normal o defectos que de alguna otra manera se deban al envejecimiento normal del producto.

ESTA GARANTÍA EXPRESA SE DA EN LUGAR DE TODAS LAS DEMÁS GARANTÍAS, EXPRESAS O IMPLÍCITAS, INCLUYENDO, PERO SIN LIMITARSE A ELLO, TODAS LAS GARANTÍAS DE COMERCIABILIDAD O IDONEIDAD PARA UN PROPÓSITO O USO ESPECÍFICO, LAS CUALES QUEDAN EXCLUIDAS. Todas las garantías implícitas, incluyendo las garantías de comerciabilidad o idoneidad para un propósito específico, que no se puedan excluir bajo la ley estatal, están limitadas al período de garantía aplicable definido al comienzo de este artículo. El remedio único y exclusivo en conexión con la compra, instalación, uso y/o rendimiento de los productos EGO es la reparación o el reemplazo del producto tal y como lo determine Chervon North America. La responsabilidad máxima de North America no excederá en ningún caso el precio de compra pagado por el producto. CHERVON NORTH AMERICA NO SERÁ RESPONSABLE ANTE EL USUARIO NI ANTE NADIE MÁS POR DAÑOS EMERGENTES, INCIDENTALES, ESPECIALES, EJEMPLARES, INDIRECTOS O PUNITIVOS QUE SURJAN DEL USO DE LOS PRODUCTOS, INCLUYENDO, PERO SIN LIMITARSE A ELLO, LESIONES CORPORALES, MUERTE, DAÑOS MATERIALES, GANANCIAS PERDIDAS U OTROS PERJUICIOS ECONÓMICOS. Esta garantía le confiere a usted derechos legales específicos y es posible que usted tenga también otros derechos que varían de un estado a otro. Algunos estados no permiten limitaciones en cuanto a la duración de una garantía implícita, la exclusión o limitación de los daños incidentales o emergentes, o las limitaciones al tiempo para emprender ciertas acciones legales, por lo que las limitaciones contenidas en el presente documento no se aplican a los consumidores individuales de esos estados.



Esta garantía está sujeta a la ley de Michigan y se interpretará de acuerdo con dicha ley, con independencia de los principios sobre conflictos de leyes. No se emprenderá ninguna acción legal contra Chervon North America a menos que se presente dentro del plazo de un (1) año después de que se tenga conocimiento de la base de dicha acción legal o de la cual se debiera haber tenido conocimiento con el ejercicio de una diligencia razonable. Se considerará que se ha renunciado a cualquier acción legal que no se presente oportunamente.

Para obtener servicio al cliente, contáctenos llamando gratis al **1-855-EGO-5656** o en **EGOPOWERPLUS.COM**.

EGO Customer Service,
769 Seward Ave. NW, Suite 102,
Grand Rapids, Michigan 49504.

