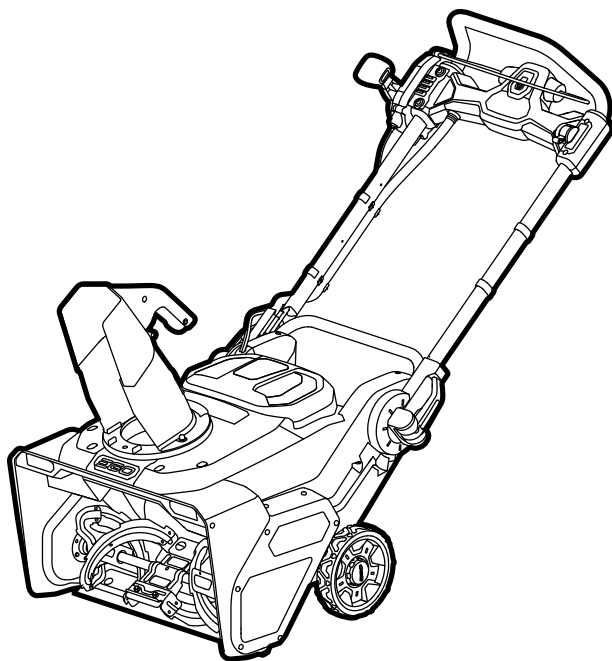


EGO™

POWER⁺ SNOW BLOWER



OPERATOR'S MANUAL

56-VOLT LITHIUM-ION CORDLESS SNOW BLOWER

MODEL NUMBER SNT2110/SNT2110-FC

Français p. 35

Español p. 73

⚠ WARNING: To reduce the risk of injury, the user must read and understand the Operator's Manual before using this product. Save these instructions for future reference.

TABLE OF CONTENTS

Safety Symbols	4
Safety Instructions.....	5-6
Safe Operation Practices for Walk-behind Snow Blower.....	6-9
Introduction	10
Specifications	10
Description	11-12
Assembly.....	13-16
Operation.....	17-25
Maintenance	26-30
Troubleshooting.....	31
Accessories	32
Warranty	33-34

READ ALL INSTRUCTIONS!



**READ & UNDERSTAND
OPERATOR'S MANUAL**

⚠ WARNING: Some dust created by power cutting contains chemicals known to the state of California to cause cancer, birth defects or other reproductive harm. Some examples of these chemicals are:

- Lead from lead-based paints
- Crystalline silica from bricks and cement and other masonry products, and
- Arsenic and chromium from chemically-treated lumber.

Your risk from these exposures varies, depending on how often you do this type of work. To reduce your exposure to these chemicals: work in a well ventilated area, and work with approved safety equipment, such as those dust masks that are specially designed to filter out microscopic particles.

SAFETY SYMBOLS

The purpose of safety symbols is to attract your attention to possible dangers. The safety symbols and the explanations with them deserve your careful attention and understanding. The symbol warnings do not, by themselves, eliminate any danger. The instructions and warnings they give are no substitutes for proper accident prevention measures.

⚠ WARNING: Be sure to read and understand all safety instructions in this Operator's Manual, including all safety alert symbols such as "**DANGER**," "**WARNING**," and "**CAUTION**" before using this tool. Failure to follow all instructions listed below may result in electric shock, fire, and/or serious personal injury.

SYMBOL MEANING

⚠ SAFETY ALERT SYMBOL: Indicates **DANGER**, **WARNING**, or **CAUTION**. May be used in conjunction with other symbols or pictographs.



⚠ WARNING: The operation of any power tools can result in foreign objects being thrown into your eyes, which can result in severe eye damage. Before beginning power tool operation, always wear safety goggles or safety glasses with side shields and a full face shield when needed. We recommend a Wide Vision Safety Mask for use over eyeglasses or standard safety glasses with side shields. Always use eye protection which is marked to comply with ANSI Z87.1.

SAFETY INSTRUCTIONS

This page depicts and describes safety symbols that may appear on this product. Read, understand, and follow all instructions on the machine before attempting to assemble and operate.

	Safety Alert	Indicates a potential personal injury hazard.
	Eye Protection	Always wear safety goggles or safety glasses with side shields and a full face shield when operating this product.
	Read & understand Operator's Manual	To reduce the risk of injury, user must read and understand operator's manual before using this product.
	DANGER — Keep Hands Away from the Impeller	Do not use hands to unclog the chute.
	Keep Feet Out of Impeller	Keep feet away from rotating impeller
	Recycle Symbols	This product uses Lithium-ion (Li-ion) batteries. Local, state, or federal laws may prohibit disposal of batteries in ordinary trash. Consult your local waste authority for information regarding available recycling and/or disposal options.
IPX4	Ingress Protection Degree	Protection from splashing water
V	Volt	Voltage
≡	Direct Current	Type or a characteristic of current
cm	centimeter	Length or size
in.	Inch	Length or size

Ft.	Feet	Length or size
kg	Kilogram	Weight
lb	Pound	Weight

⚠ WARNING: To ensure safety and reliability, all repairs should be performed by a qualified service technician.

SAFE OPERATION PRACTICES FOR WALK-BEHIND SNOW BLOWER

⚠ DANGER: This snow blower is capable of amputating hands and feet and throwing objects. Failure to observe the following safety instructions could result in serious injury.

FOR ALL SNOW BLOWERS

- Do not use on graveled surface.
- Keep Children Away – All visitors should be kept a safe distance from work area.
- Dress Properly – Do not wear loose clothing or jewelry. They can be caught in moving parts.
- Wear rubber boots when operating the snow blower.
- Keep hands away from moving parts.
- Keep guards in place and in working order.
- Don't Force Snow Blower – It will perform better and safer at the rate for which it was designed.
- Don't Overreach – Keep proper footing and balance at all times.
- If the snow blower strikes a foreign object follow these steps:
 - 1) Stop snow blower. Release the switch.
 - 2) Remove the battery pack(s).
 - 3) Inspect for damage.
 - 4) Repair any damage before restarting and operating the snow blower.

- Store Idle Snow Blowers Indoors-When not in use, snow blowers should be stored indoors in dry, locked-up place – out of reach of children.
- Maintain Snow Blowers with Care – Following instructions for lubricating and changing accessories.

TRAINING

- Read, understand and follow all instructions on the machine and in the manual(s) before operating this unit. Be thoroughly familiar with the controls and the proper use of the equipment. Know how to stop the unit and disengage the controls quickly.
- Never allow children to operate the equipment. Never allow adults to operate the equipment without proper instruction.
- Keep the area of operation clear of all persons, particularly small children.
- Exercise caution to avoid slipping or falling, especially when operating the snow blower in reverse.

PREPARATION

- Thoroughly inspect the area where the equipment is to be used and remove all doormats, sleds, boards, wires, and other foreign objects.
- Do not operate the equipment without wearing adequate winter garments. Avoid loose-fitting clothing that can get caught in moving parts. Wear footwear that will improve footing on slippery surfaces.
- Never attempt to make any adjustments while the motor is running (except when specifically recommended by manufacturer).
- Always wear safety glasses or eye shields during operation or while performing an adjustment or repair to protect eyes from foreign objects that may be thrown from the machine.

OPERATION

- Prevent unintentional starting. Ensure the switch is in the off-position before connecting to battery pack, picking up or carrying the appliance. Carrying the appliance with your finger on the switch or energizing appliance that have the switch on invites accidents. Do not put hands or feet near or under rotating parts. Keep clear of the discharger opening at all times.
- Do not put hands or feet near or under rotating parts. Keep clear of the discharger opening at all times.

- Exercise extreme caution when operating on or crossing gravel drives, walks, or roads. Stay alert for hidden hazards or traffic.
- After striking a foreign object, stop the motor, remove the battery pack(s), thoroughly inspect the snow blower for any damage, and repair the damage before restarting and operating the snow blower.
- If the unit should start to vibrate abnormally, stop the motor and check immediately for the cause. Vibration is generally a warning of trouble.
- Stop the motor whenever you leave the operating position, before unclogging the auger assembly housing or discharge chute, and when making any repairs, adjustments or inspections.
- When clearing, repairing or inspecting the snow blower, stop the motor and make certain the auger assembly and all moving parts have stopped. Remove the battery pack(s) to prevent someone from accidentally starting the motor.
- Exercise extreme caution when operating on slopes.
- Never operate the snow blower without proper guards and other safety protective devices in place and working.
- Never direct the discharge toward people or areas where property damage can occur. Keep children and others away.
- Do not overload the machine capacity by attempting to clear snow at too fast a rate.
- Disengage power to the auger assembly when snow blower is transported or not in use.
- Use only attachments and accessories approved by the manufacturer of the snow blower (such as rubber paddles, scraper bar and drive belt).
- Never operate the snow blower without good visibility or light. Always be sure of your footing, and keep a firm hold on the handles. Walk; never run.
- Do not expose a battery pack or tool to fire or excessive temperature. Exposure to fire or temperature above 212 °F (100°C) may cause explosion.

- Use only with the battery packs and chargers listed below:

BATTERY PACK	CHARGER
BA1120, BA1120-FC, BA1400, BA1400-FC, BA2240, BA2240-FC, BA2800, BA2800-FC, BA4200, BA4200-FC, BA1400T, BA1400T-FC, BA2800T, BA2800T-FC, BA4200T, BA4200T-FC, BA5600T, BA5600T-FC	CH2100, CH2100-FC, CH5500, CH5500-FC

NOTICE: For best performance, recommend for use with 2pcs 5.0Ah or higher Ah batteries.

CLEARING A CLOGGING DISCHARGE CHUTE

Hand contact with the rotating auger assembly inside the discharge chute is the most common cause of injury associated with snow blowers. Never use your hand to clean out the discharge chute.

To clear the chute:

- **SHUT THE MOTOR OFF!**
- Wait 10 seconds to be sure the auger assembly blades have stopping rotating.
- Always use a clean-out tool, not your hands.

MAINTENANCE AND STORAGE

- Check all bolts or fasteners at frequent intervals for proper tightness to be sure the equipment is in safe working condition.
- Always refer to operator's manual for important details if the snow blower is to be stored for an extended period.
- Maintain or replace safety and instruction labels, as necessary.
- Run the machine a few minutes after blowing snow to prevent freeze-up of the auger assembly.

SAVE THESE INSTRUCTIONS. Refer to them frequently and use them to instruct others who may use this tool. If you lend this tool to someone else, also lend these instructions to them to prevent misuse of the product and possibly injury.



INTRODUCTION

Congratulations on your selection of a new generation of 56V Lithium-Ion powered snow blower. It has been designed, engineered and manufactured to give you the best possible dependability and performance.

Should you experience any problem you cannot easily remedy, please contact EGO customer service center 1-855-EGO-5656.


This manual contains important information on to the safe assembly, operation and maintenance of your snow blower. Read it carefully before using the tool. Keep this manual handy so you can refer to it at any time.

SERIAL NUMBER _____ DATE OF PURCHASE _____

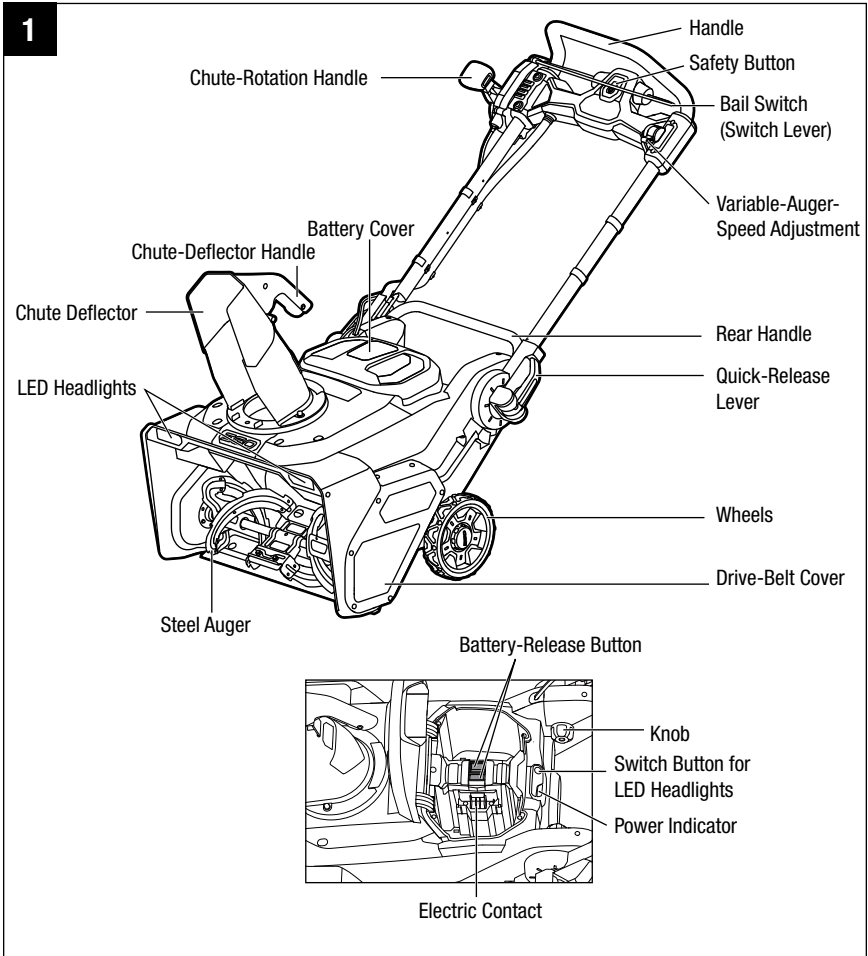
THE MODEL AND SERIAL NUMBERS WILL BE FOUND ON A LABEL ATTACHED ON AUGER ASSEMBLY HOUSING.

YOU SHOULD RECORD BOTH SERIAL NUMBER AND DATE OF PURCHASE AND KEEP IN A SAFE PLACE FOR FUTURE REFERENCE. SAVE YOUR SALES RECEIPT.

SPECIFICATIONS

Voltage	56V 
Clearing Width	21 in
Intake Height	13 in
Throwing Distance	Up to 40 ft.
Wheel Size	7 in
Operating Temperature	-4°F-50°F(-20°C-10°C)
Storage Temperature	-4°F-158°F(-20°C-70°C)
Snow Blower Weight (Without battery pack)	53 lbs(24.05 kg)

DESCRIPTION



⚠ WARNING: The safe use of this product requires an understanding of the information on the tool and in this operator's manual, as well as knowledge of the project you are attempting. Before use of this product, familiarize yourself with all operating features and safety rules.

Safety Button

The safety button must be pressed down before the motor can be started.

Bail Switch

The bail switch is located on the upper handle of the snow blower. The switch engages and disengages the motor and auger.

⚠ WARNING: The bail switch and the safety button are safety devices. Never attempt to bypass their operations.

Electric Brake

Quickly stops auger rotation when the bail switch is released.

Quick-Release Lever

Locks/unlocks the side rails for working or storage positions.

Variable-Auger-Speed Adjustment

Adjusts the auger speed in order to adjust the throwing distance.

Chute-Rotation Handle

Rotates the chute so that the user may direct the discharged snow as desired. The handle allows the chute to rotate left 90° to right 90°.

Chute-Deflector Handle

Adjusts the angle of the chute and the height of the discharge stream.

LED Headlights

The LED headlights are located on the front of the unit. This feature provides extra light for increased visibility.

ASSEMBLY

⚠ WARNING: To prevent accidental starting that could cause serious personal injury, always remove the battery pack(s) from the tool when assembling parts.

⚠ WARNING: If any parts are damaged or missing, do not operate this product until the parts are replaced. Use of this product with damaged or missing parts could result in serious personal injury.

⚠ WARNING: Do not attempt to modify this tool or create accessories not recommended for use with this product. Any such alteration or modification is misuse and could result in a hazardous condition leading to serious injury.

UNPACKING

- Grasp the rear handle and the front part of the product at the same time to carefully lift the tool up and out of the carton. Remove any other accessories from the carton. Make sure that all items listed in the packing list are included.

⚠ WARNING: Do not use this product if any parts on the packing list are already assembled to your product when you unpack it. Parts on this list are not assembled to the product by the manufacturer and require customer installation. Use of a product that may have been improperly assembled could result in serious personal injury.

- Inspect the product carefully to make sure that no breakage or damage occurred during shipping.
- Do not discard the packing material until you have carefully inspected and satisfactorily operated the tool.
- If any parts are damaged or missing, please return the product to the place of purchase.

LIST OF CONTENTS

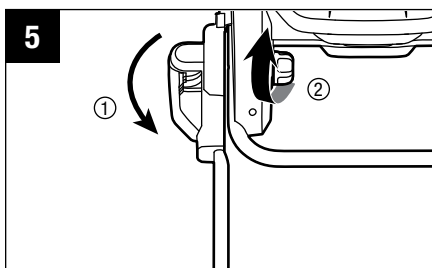
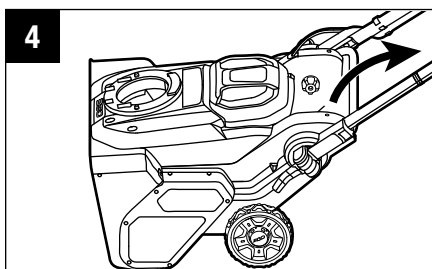
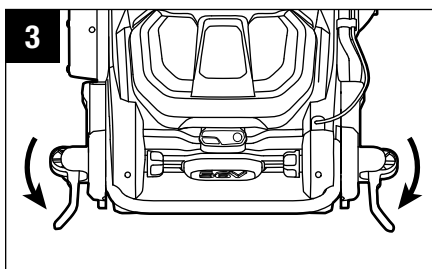
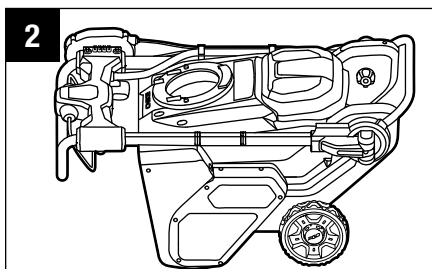
PART NAME	QUANTITY
Snow Blower	1
Discharge Chute	1
Operator's Manual	1
Hex Wrench	1

UNFOLDING/FOLDING THE SIDE RAILS

⚠ WARNING: Do not attempt to start the snow blower when the side rails are folded down.

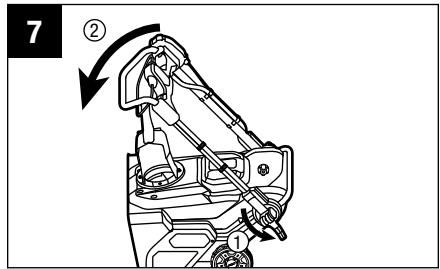
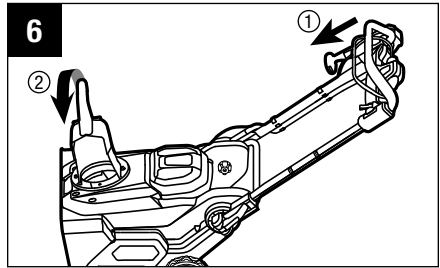
To unfold the side rails

1. Your snow blower is shipped with the side rails in the compact, locked position (Fig. 2).
2. Open the quick-release levers on both sides and gently pivot the side rails upwards until they come to a stop (Fig. 3 & 4).
3. Close the quick-release levers and then tighten the knobs to secure the side rails in place (Fig. 5).



To fold the side rails

1. Push the chute-rotation handle all the way forward so that the chute is facing left as you stand behind the snow blower. Squeeze the trigger on the chute deflector handle to tilt it all the way down (Fig. 6).
2. Open the quick-release levers on both sides to fold the side rails into the storage position (Fig. 7).

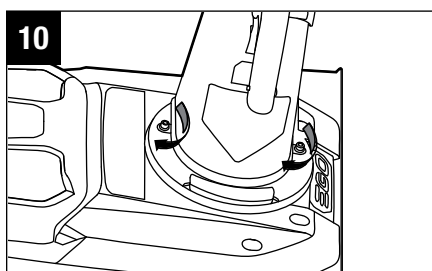
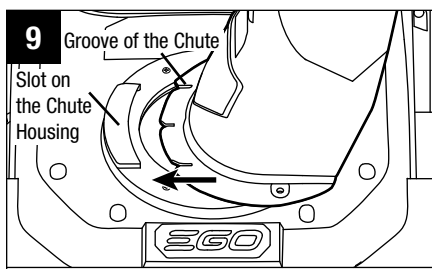
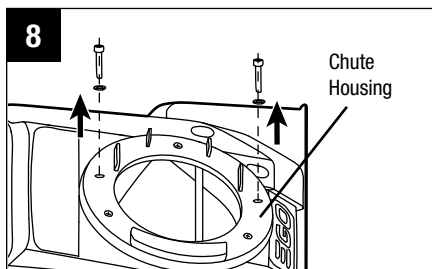


INSTALLING THE CHUTE

1. Use the supplied hex wrench to loosen the two bolts in the chute housing and remove them (Fig. 8).
2. Align the grooves of the chute with the slot on the chute housing, and then push the chute into place (Fig. 9).
3. Use the hex wrench to lock the chute in place with the two bolts (Fig. 10).

⚠ WARNING: Using the chute-rotation handle located at the operator's position, make sure that the chute rotates properly with the discharge opening never crossing operator controls.

⚠ WARNING: Never operate the snow blower without the complete discharge chute in place.



OPERATION

⚠ WARNING: Do not allow familiarity with this product to make you careless. Remember that a careless fraction of a second is sufficient to inflict serious injury.

⚠ WARNING: Always wear eye protection with side shields marked to comply with ANSI Z87.1. Failure to do so could result in objects being thrown into your eyes and other possible serious injuries.

⚠ WARNING: Do not use any attachments or accessories not recommended by the manufacturer of this product. The use of attachments or accessories not recommended can result in serious personal injury.

APPLICATION

You may use this product for purpose listed below:

Removing snow from areas such as driveways and sidewalks.

TO ATTACH/DETACH THE BATTERY PACK

CHARGE BEFORE FIRST USE.

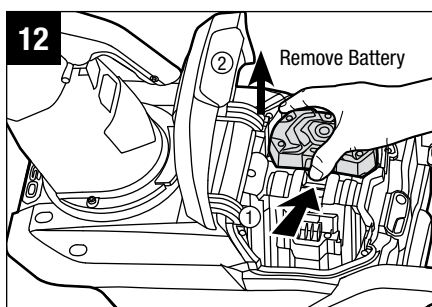
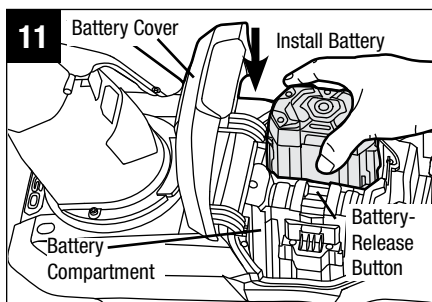
NOTE: For best performance, we recommend use with two 5.0Ah EGO 56V Arc-Lithium batteries or with two EGO 56V Arc-Lithium batteries of greater capacity.

When not in use, 56V battery packs should be stored in an enclosed area where the temperature will not drop below -4°F (-20°C). Optimal charging temperatures are between 41°F (5°C) and 104°F (40°C).

⚠ WARNING: If any parts are broken or missing, do not attempt to attach the battery packs to the snow blower or operate the snow blower until the broken or missing parts are replaced. Failure to do so could result in serious injury.

1. The battery cover is hinged. Raise the battery cover by lifting the front of the cover.
2. The snow blower is equipped with two battery compartments, which accommodate two battery packs at the same time.

3. Align the grooves in the battery pack with the raised ribs in one of the battery compartments, and then insert the battery pack into the compartment (Fig. 11).
4. Push the battery pack until you hear a “click”. The battery-release button will spring up when the battery pack is securely attached.
5. Attach the other battery pack into the other battery compartment in the same way.
6. To detach the battery pack, depress the battery-release button to release the battery pack, and then lift it out of the compartment (Fig. 12).
7. Close the battery cover.



NOTICE: Make sure that the latch on the snow blower snaps into place and that the battery pack(s) are secured to the unit before starting operation.

STARTING/STOPPING THE SNOW BLOWER

CAUTION: Do not attempt to override the operation of the safety button and bail switch.

WARNING: The operation of a snow blower can result in foreign objects being thrown into your or others' eyes, which can damage eyes severely. Always wear safety glasses while operating the snow blower or while performing any adjustments or repairs on the snow blower.

WARNING: Ensure that other people and pets remain at least 100' (30m) away from the snow blower when it is in use.

⚠ WARNING: The auger will continue to rotate for a few seconds after the snow blower is turned off. Allow the auger to stop rotating before starting it again.

NOTICE: Do not rapidly turn the snow blower off and on.

To Start the Snow Blower

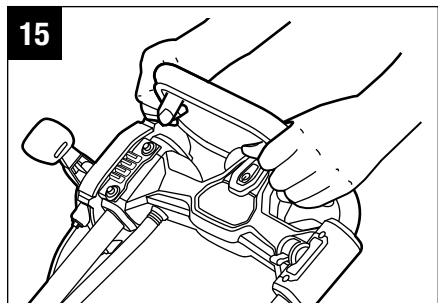
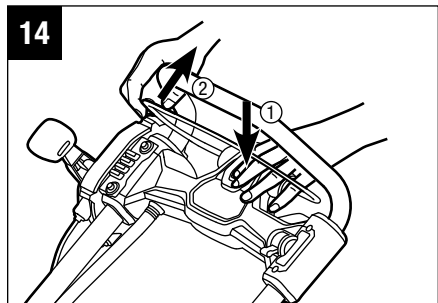
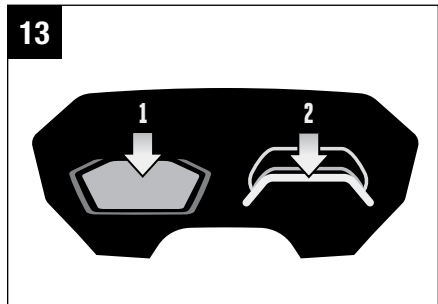
1. Ensure that the side rails are securely locked in the unfolded, open position.
2. Attach the battery pack(s) to the snow blower and close the battery cover.

NOTICE: Make sure that the latch on the snow blower snaps into place and that the battery pack(s) are secured to the snow blower before operation.

3. Depress the safety button and, with the button depressed, pull the bail switch upward to meet the handle (Fig. 13 & 14).
4. Once the tool powers on, release the safety button and begin operation (Fig. 15).

NOTICE: The tool is started by depressing the safety button first, followed by squeezing the bail switch; the reverse operation will not start the tool.

NOTICE: The snow blower may not properly start if its battery temperature is -4°F (-20°C) or less. If unit doesn't start, remove the battery from the snow blower and allow it to warm indoors for 10 minutes or longer. Reinstall the battery and try again.



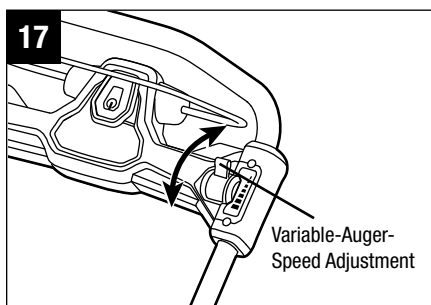
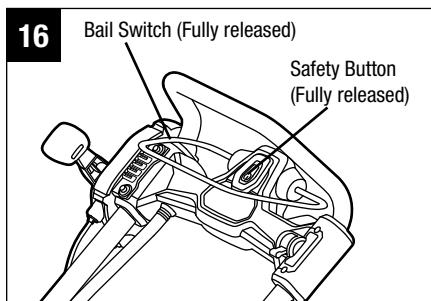
To Stop the Snow Blower

1. Fully release the bail switch (Fig. 16).
2. The electric brake in the Automatic Braking Mechanism will stop the auger rotation within 3 seconds of the bail-switch release.

Variable-Auger-Speed System (Fig. 17)

The speed of the auger can be adjusted to control the throwing distance.

1. To increase the speed, move the variable-auger-speed adjustment forwards.
2. To decrease the speed, move the variable-auger-speed adjustment backwards.

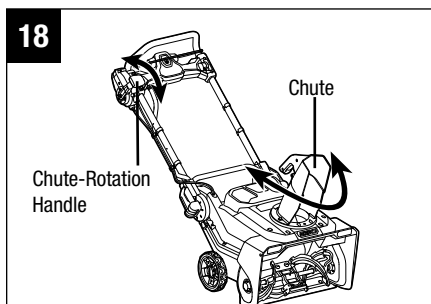


ADJUSTING THE CHUTE

The chute can be adjusted to change both the direction and the distance of the discharged snow to assist you in moving snow away from one area and placing it in another.

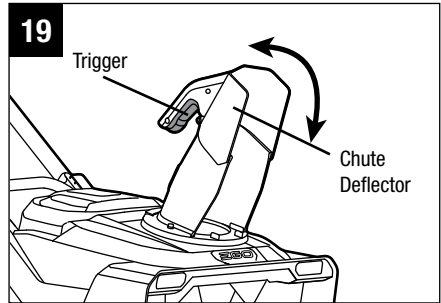
The **direction** of snow removal can be adjusted up to 180° (Fig. 18).

1. Push the chute-rotation handle forward to rotate the chute to the left.
2. Pull the chute-rotation handle backward to rotate the chute to the right.



The **throwing distance** of the snow blower is adjusted by moving the chute deflector up or down (Fig. 19). Release the bail switch before adjusting the chute deflector.

1. To increase the distance that the snow is thrown, squeeze the trigger on the chute-deflector handle, and then raise the chute deflector. Release the trigger on the chute-deflector handle to lock the chute deflector in place (Fig.19).



2. To decrease the distance that the snow is thrown, simply lower the deflector with the chute-deflector handle.

⚠ WARNING: Do not force the chute so far forward that a gap appears between the deflector and the chute itself. Snow or other debris could be thrown through the gap and back at the operator, resulting in serious personal injury.

⚠ WARNING: Do not adjust the chute deflector while the bail switch is engaged. Always release the bail switch before adjusting the chute deflector.

CLEARING A CLOGGING CHUTE

⚠ WARNING: Hands coming in contact with the rotating auger inside the chute is the most common cause of injury associated with snow blowers. Never use your hand to clean out the chute.

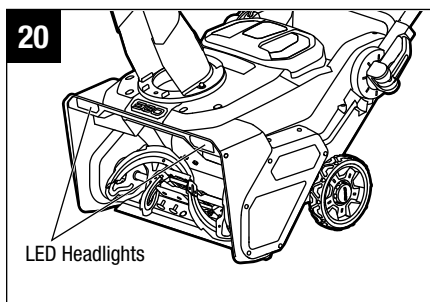
To Clear the Chute:

1. Shut the motor and auger off!
2. Remove the battery pack(s) from the snow blower.
3. Wait 10 seconds to be sure the auger has stopped rotating.
4. Always use a clean-out tool, such as a wood rod or other clearing tools that are commercially available; do not use your hand.

LED HEADLIGHTS (Fig. 20)

The LED headlights are located on the front of the snow blower.

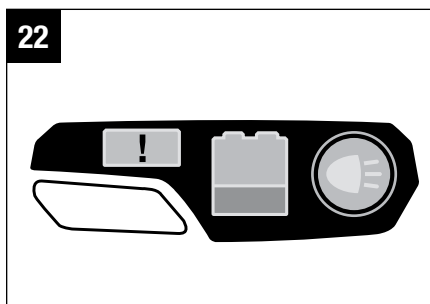
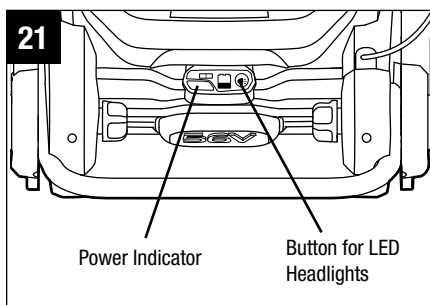
1. To turn on the lights, press the LED button (Fig. 21 & 22). The headlights provide bright light in front of the snow blower.
2. To turn off the headlights, press the LED button again.



POWER INDICATOR ON THE SNOW BLOWER (Fig. 21 & 22)

The snow blower is equipped with a power indicator to indicate the charge level of the battery pack(s) and the working status of the snow blower. The power indicator will illuminate when the auger is rotating or when the LED headlights are turned on.

- The green light indicates that the battery pack(s) is over 15% of its charge capacity.
- The red light indicates that the battery pack's charge is low.
- The blinking red light indicates that the battery pack is nearly depleted and needs to be charged immediately.



POWER INDICATOR	MEANING	ACTION
Shining green	Snow blower is working properly; each battery has at least 15% of its charge.	n/a
Shining red	Battery pack(s) charge level is low.	Stop the snow blower and charge the battery pack(s).
Flashing red	The battery pack is nearly depleted.	Stop the snow blower and charge the battery pack(s).
Shining orange	The snow blower or a battery pack is overheated.	Stop the snow blower and wait for some time to cool the machine or the battery pack(s).
Flashing orange	The snow blower is overloaded.	Remove the battery pack(s), check and clean if snow has collected beneath the deck or is lodged in the auger. Slow down your pace or decrease the snow clearing cut width when working.

SNOW BLOWER OVERLOAD PROTECTION

To prevent overload conditions, do not try to remove too much snow at one time. Slow down your pace or decrease the width of the snow-clearing swath.

Your snow blower has built-in overload-sensing elements. When the snow blower is overloaded, the motor will decrease the speed automatically and you will hear the volume of the motor decrease. Slow down your pace or narrow the clearing width in this case, after which the motor speed will resume its normal setting automatically. If this remedy does not solve the overload situation, the sensor will shut off the motor automatically and the power indicator will blink orange. Remove the battery pack(s) from the snow blower. Check to see if there is snow or ice stuck in the auger and deck, and use a clean-out tool to clear them out as necessary. Reinstall the batteries and restart the snow blower.

BATTERY HIGH-TEMPERATURE PROTECTION

If the battery temperature exceeds 158°F (70°C) during operation, the temperature-protection circuit will immediately shut off the snow blower to protect the battery packs from overheating damage. The power indicator on the snow blower will shine orange and the LED on the battery will flash orange or shine red.

NOTICE: The LED on following battery packs will flash orange lights when overheated: BA1120, BA1120-FC, BA1400, BA1400-FC, BA2240, BA2240-FC, BA2800, BA2800-FC, BA4200 and BA4200-FC; the LEDs on following battery packs will shine red lights when overheated: BA1400T, BA1400T-FC, BA2800T, BA2800T-FC, BA4200T, BA4200T-FC, BA5600T and BA5600T-FC.

Release the bail switch and wait until the overheated battery pack(s) cool down and the flashing orange light on the battery LED turns green, then restart the snow blower.

To prevent shut off due to battery high-temperature protection, don't try to use a single battery to power the snow blower when the depth of the accumulated snow exceeds 3 inches or when the snow is very wet or icy.

We recommend the use of two batteries working simultaneously. This is helpful in attaining the peak power of the snow blower.

After high-temperature protection has occurred, slow down your pace and narrow width of the clearing swath to reduce the load on the battery.

OPERATING TIPS

⚠ DANGER: Never use a snow blower on frozen lakes, rivers, or similar surfaces. Death or serious injury could occur if the ice breaks.

⚠ DANGER: Never use the snow blower on a rooftop or other unstable surface, which can result in death or serious personal injury.

⚠ WARNING: Do not use snow blower on ice, which can cause the operator to slip and fall, resulting in possibly serious personal injury.

⚠ WARNING: Do not wear loose clothing, scarves, or jewelry. They can be caught in moving parts and cause death or serious personal injury.

⚠ WARNING: Keep all snow discharge pointed away from all electrical devices to reduce the risk of electrocution or electric shock.

⚠ WARNING: Never point the snow blower or discharge chute in the direction of people or pets. Thrown snow or other objects can cause serious personal injuries.

⚠ WARNING: Make sure that the area to be cleared is free of stones, sticks, wires, gravel, and other objects that could be accidentally thrown by the snow blower in any direction and cause serious personal injury to the operator and others.

- If the unit comes in contact with any type of obstruction or debris during use, stop the snow blower, remove the battery pack(s), remove the obstruction, and inspect the unit carefully for damage before proceeding.

⚠ WARNING: Never reach into the discharge chute or place any body part in front of the snow blower when the unit is operating or when the battery pack(s) are installed. Always ensure all moving parts have stopped and the battery pack(s) have been removed before clearing any obstructions. Failure to follow these instructions can result in serious personal injury.

- Take notice of the direction of the wind before beginning. When possible, discharge snow in the same direction as the wind to prevent snow from being thrown back into your face.
- Some parts of the snow blower can freeze under extreme weather conditions. Do not attempt to operate the unit with frozen parts.
- When finished, allow the motor to run for an additional few minutes to prevent moving parts from freezing, then turn the chute rotation handle back and forth several times to free it from any ice buildup. Make sure to clean off any snow and ice from the base of the chute.
- In snowy and cold conditions, some controls and moving parts may freeze. Do not use excessive force when trying to operate frozen controls. If you have difficulty operating any control or part, start the machine as “**STARTING/STOPPING THE SNOW BLOWER**” section shown and let it run for a few minutes.

MAINTENANCE

⚠ WARNING: To avoid serious personal injury, always remove the battery pack(s) from the snow blower before cleaning or performing any maintenance.

⚠ WARNING: When servicing, use only identical replacement parts. Use of any other parts may create a hazard or cause product damage. To ensure safety and reliability, all repairs should be performed by a qualified service technician.

NOTICE: Periodically inspect the entire product for damaged, missing, or loose parts such as screws, nuts, bolts, caps, etc. Tighten securely all fasteners and caps and do not operate this product until all missing or damaged parts are replaced.

GENERAL MAINTENANCE

Avoid using solvents when cleaning plastic parts. Most plastics are susceptible to damage from various types of commercial solvents and may be damaged by their use. Use clean cloths to remove dirt, dust, oil, grease, etc.

⚠ WARNING: Do not at any time let brake fluids, gasoline, petroleum-based products, penetrating oils, etc. come in contact with plastic parts. Chemicals can damage, weaken, or destroy plastic which can result in serious personal injury.

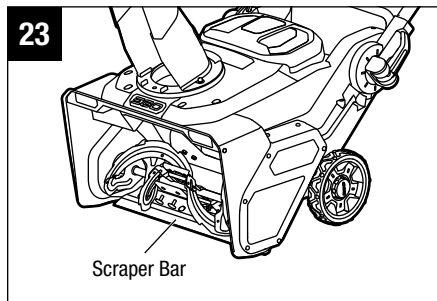
LUBRICATING THE MACHINE

All of the bearings in this product are lubricated with a sufficient amount of high grade lubricant for the life of the unit under normal operating conditions. Therefore, no further bearing lubrication is required.

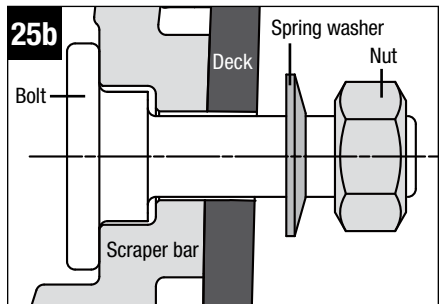
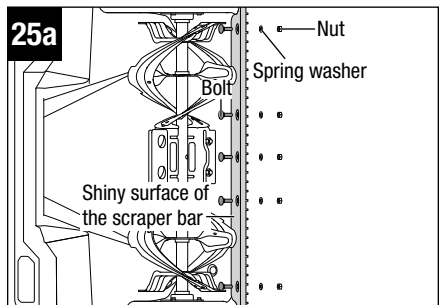
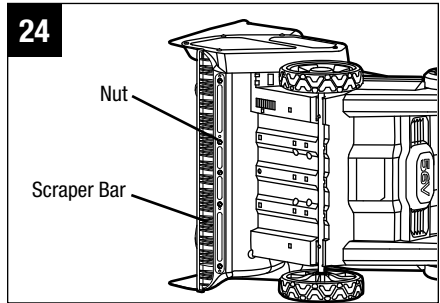
REPLACING THE SCRAPER BAR

⚠ WARNING: Make sure to turn off the bail switch and remove the battery pack(s) before performing any maintenance task on your snow blower.

1. The scraper bar is located at the bottom of the snow blower beneath the auger (Fig. 23).



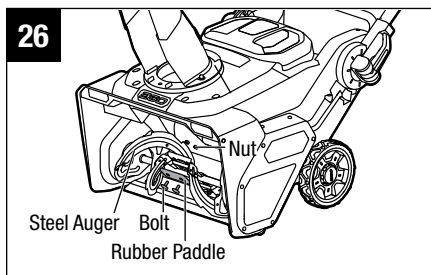
2. Turn the snow blower on its side (Fig. 24).
3. To reduce the risk of injury, wear gloves. Use a socket wrench (not included) to remove the 5 nuts (Fig. 24). Detach the worn scraper bar from the snow blower.
4. Attach the new scraper bar to the snow blower with the shiny surface facing the inside of the deck. Align the mounting holes in the scraper bar with the holes in the steel deck. Insert the 5 bolts into the mounting holes from the inside, shiny surface of the scraper bar (Fig. 25a).
5. Place the spring washers and nuts on the bolts (from the outside of the deck) and use a socket wrench (not included) to securely fasten the scraper bar to the deck (Fig. 25b).



REPLACING THE RUBBER PADDLE

⚠ WARNING: Make sure to turn off the bail switch and remove the battery pack(s) before performing any maintenance task on your snow blower

1. Wear gloves. Manually rotate the steel auger to the appropriate position for easy rubber paddle disassembly as Fig. 26 shown.
2. Use a flat head screwdriver(not included) to thoroughly loosen the two bolts on one side and remove the two bolts and two nuts to take away the rubber paddle from the steel auger.
3. Disassemble the other rubber paddle on the other side in the same way.
4. Replace them with the new rubber paddles and securely tighten them.

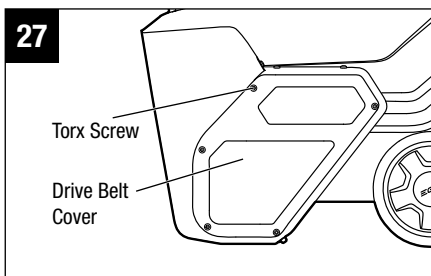


REPLACING THE DRIVE BELT

If the drive belt becomes worn, oil-soaked, excessively cracked, frayed, or otherwise damaged, replace the belt.

⚠ WARNING: Make sure to turn off the bail switch and remove the battery pack(s) before performing any maintenance task on your snow blower.

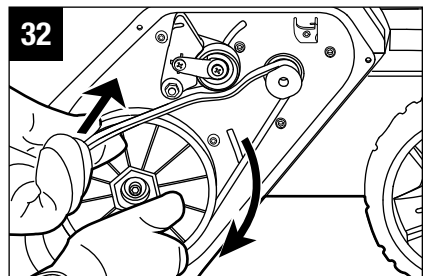
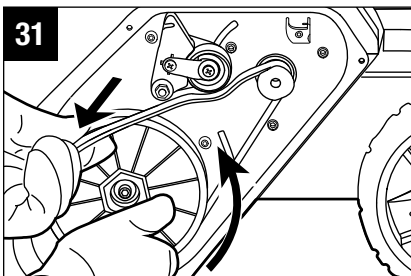
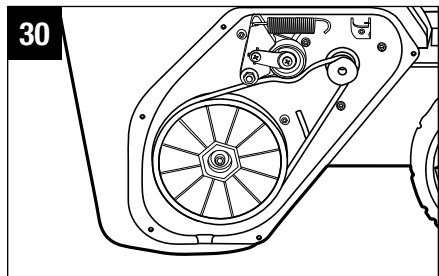
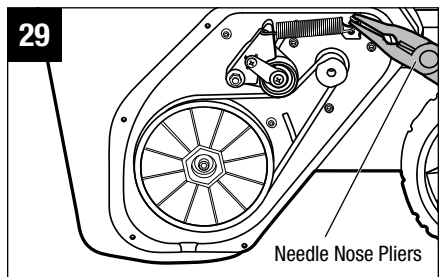
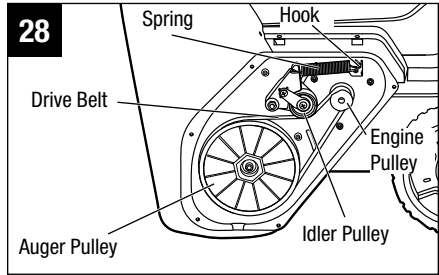
1. Use a T20 Torx screwdriver (not included) to remove the drive belt cover by removing the 8 Torx screws as shown in Fig. 27.



2. Use needle nose pliers (not included) to remove the spring from the hook to release the belt tension (Fig. 29 & 30).
3. Remove the drive belt by slowly turning the auger pulley counterclockwise while pulling the belt outwards (Fig. 31).
4. Install the new drive belt, rotating it onto the pulleys (Fig. 32).

Tips: Rotate the new drive belt first around the engine pulley, then the idle pulley, and finally around the auger pulley. Slowly turn the auger pulley clockwise to drive the belt inwards (Fig. 28).

5. Use needle nose pliers to install the spring onto the hook to tension the drive belt (Fig. 29).
6. Reinstall the drive belt cover with the 8 Torx screws removed in step 1 (Fig. 27).



STORING THE SNOW BLOWER

⚠ CAUTION: Ensure that all melted snow that may drip from the snow blower is properly wiped up to prevent a slip and fall hazard.

- Remove the battery pack(s) and store in a secure location out of the reach of children.

NOTE: When not in use, a 56V battery should be stored in an enclosed area where the temperature will not drop below -4°F (-20°C). Optimal charging temperatures are 41°F - 104°F (5°C - 40°C).

Before storage, wipe any moisture, dirt, or debris from the battery area.

- Wipe the snow blower with a clean dry cloth.
- Check all nuts, bolts, knobs, screws, etc., for tightness.
- Inspect moving parts for damage, breakage, and wear. Have repairs made on any damaged or missing parts.
- Fold the side rails to the storage position.
- Store the snow blower in a clean, dry, enclosed place out of the reach of children.
- Do not store near corrosive materials such as fertilizer or rock salt.

TROUBLESHOOTING

⚠ WARNING: Always remove the battery pack(s) when servicing or transporting the snow blower. Always protect your hands by wearing gloves when performing any maintenance on the snow blower auger or scraper.

PROBLEM	CAUSE	SOLUTION
Side rails are not in position.	<ul style="list-style-type: none"> ■ Knobs on the side rails and/or handle-clamp lever are not secured. 	<ul style="list-style-type: none"> ■ Make sure that knobs on the side rails are fully tightened and the handle-clamp levers are fully closed.
Snow blower is not starting.	<ul style="list-style-type: none"> ■ Battery charge is low. ■ The steel auger is frozen by snow or ice. ■ The battery is overheated. The LED indicator on the battery flashes orange or shines red. (see the section “BATTERY HIGH-TEMPERATURE PROTECTION” in this manual. ■ Safety Button is not depressed. 	<ul style="list-style-type: none"> ■ Charge the battery. ■ Remove the battery pack(s) firstly, use the a clean-out tool to clear the snow or ice that obstruct on the auger. Restart the snow blower. ■ Remove the overheated battery from the snow blower and wait until the battery pack cools down to approximately 152°F (67°C), then reinstall the battery and restart the snow blower. ■ Press the safety button and, with the button depressed, pull the bail switch upward to meet the handle.
The motor is on but the auger does not turn.	<ul style="list-style-type: none"> ■ The drive belt is worn or broken. 	<ul style="list-style-type: none"> ■ Replace the drive belt following the section “REPLACING THE DRIVE BELT” in this manual.
After passing, the snow blower leaves a layer of snow on the ground.	<ul style="list-style-type: none"> ■ The scraper bar is worn. 	<ul style="list-style-type: none"> ■ Replace the scraper following the section “REPLACING THE SCRAPER BAR” in this manual.

ACCESSORIES

⚠ WARNING: The following parts are subjected to be worn out from normal use. Use only identical replacement parts listed below. Use of parts that do not meet the original equipment specifications may lead to improper performance and compromised safety.

PART NAME	MODEL NUMBER
Rubber Paddle	ARP2101
Scraper Bar	ASS2100
Drive Belt	AVB2306

WARRANTY

EGO WARRANTY POLICY

5-year limited warranty on EGO POWER+ outdoor power equipment and portable power for personal, household use.

3-year limited warranty on EGO POWER+ System battery packs and chargers for personal, household use.

2 year/1year limited warranty on EGO outdoor power equipment, portable power, battery packs, and chargers for professional and commercial use.

The detailed warranty periods by products can be found online at

<http://egopowerplus.com/pages/warranty-policy>.

Please contact EGO Customer Service Toll-Free at 1-855-EGO-5656 any time you have questions or warranty claims.

LIMITED SERVICE WARRANTY

EGO products are warranted against defects in material or workmanship from the date of original retail purchase for the applicable warranty period. Defective product will receive free repair.

- a) This warranty applies only to the original purchaser from an authorized EGO retailer and may not be transferred. Authorized EGO retailers are identified online at <http://egopowerplus.com/pages/warranty-policy>.
- b) The warranty period for reconditioned or factory certified products used for residential purpose is 1 year, for industrial, professional or commercial purpose is 90 days.
- c) The warranty period for routine maintenance parts, such as, but not limited to, blades, trimmer heads, chain bars, saw chains, belts, scraper bars, blower nozzles, and all other EGO accessories is 90 days for residential purpose, 30 days for industrial, professional or commercial purpose. These parts are covered for 90/30 days from manufacture defects in normal working conditions.
- d) This warranty is void if the product has been used for rental purpose.
- e) This warranty does not cover the damage resulting from modification, alteration or unauthorized repair.



- f) This warranty only covers defects arising under normal usage and does not cover any malfunction, failure or defect resulting from misuse, abuse (including overloading of the product beyond capacity and immersion in water or other liquid), accidents, neglect or lack of proper installation, and improper maintenance or storage.
- g) This warranty does not cover normal deterioration of the exterior finish, including but not limited to scratches, dents, paint chips, or to any corrosion or discoloring by heat, abrasive and chemical cleaners.

HOW TO OBTAIN SERVICE

For warranty service, please contact EGO customer service toll-free at **1-855-EGO-5656**. When requesting warranty service, you must present the original dated sales receipt. An authorized service center will be selected to repair the product according to the stated warranty terms. When bringing your product to the authorized service center, there may be a small deposit that will be required when dropping off your tool. This deposit is refundable when the repair service is deemed to be covered under warranty.

ADDITIONAL LIMITATIONS

To the extent permitted by applicable law, all implied warranties, including warranties of MERCHANTABILITY or FITNESS FOR A PARTICULAR PURPOSE, are disclaimed. Any implied warranties, including warranties of merchantability or fitness for a particular purpose, that cannot be disclaimed under state law are limited to the applicable warranty period defined at the beginning of this article.

Chervon North America is not responsible for direct, indirect, incidental or consequential damages.

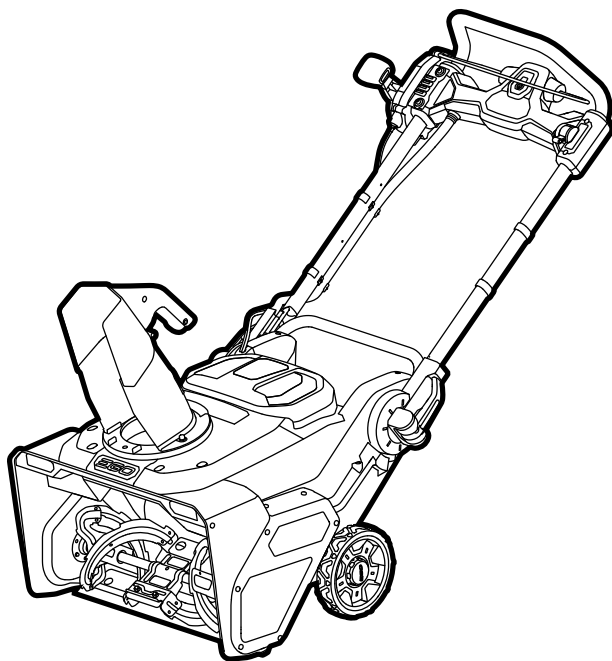
Some states do not allow limitations on how long an implied warranty lasts and/or do not allow the exclusion or limitation of incidental or consequential damages, so the above limitations may not apply to you.

This warranty gives you specific legal rights, and you may also have other rights which vary from state to state.

For customer service contact us toll-free at: **1-855-EGO-5656** or **EGOPOWERPLUS.COM**. EGO Customer Service, 769 SEWARD AVE NW / Suite 102 Grand Rapids, MI 49504

EGO™

POWER⁺ SNOW BLOWER



GUIDE D'UTILISATION

SOUFFLEUSE À NEIGE SANS FIL À PILE AU LITHIUM-ION DE 56 VOLTS

NUMÉRO DE MODÈLE SNT2110/SNT2110-FC

⚠ AVERTISSEMENT : Afin de réduire les risques de blessure, l'utilisateur doit lire et comprendre le guide d'utilisation avant d'utiliser ce produit. Conservez le présent guide afin de pouvoir le consulter ultérieurement.

TABLE DES MATIÈRES

Symboles de sécurité	38
Consignes de sécurité	39-40
Pratiques d'utilisation sécuritaires de la souffleuse à neige poussée . . .	40-44
Introduction	45
Caractéristiques	45
Description	46-47
Assemblage	48-51
Fonctionnement	52-62
Entretien	63-68
Dépannage	69-70
Accessoires	70
Garantie	71-72

LISEZ TOUTES LES INSTRUCTIONS!



**ASSUREZ-VOUS DE LIRE ET DE
COMPRENDRE LE GUIDE D'UTILISATION**

⚠ AVERTISSEMENT : Certaines poussières produites par l'utilisation d'outils de coupe électriques contiennent des produits chimiques reconnus par l'État de Californie comme causes de cancers, d'anomalies congénitales et de problèmes du système reproducteur. Voici des exemples de ces produits chimiques :

- Le plomb contenu dans la peinture au plomb;
- La silice cristallisée contenue dans les briques, le ciment et d'autres produits de maçonnerie;
- L'arsenic et le chrome contenus dans le bois d'oeuvre traité avec des produits chimiques.

Les risques liés à l'exposition à ces produits varient en fonction de la fréquence à laquelle vous effectuez ce type de travail. Pour réduire votre exposition à ces produits chimiques, travaillez dans une zone bien ventilée et portez l'équipement de sécurité approuvé, comme les masques antipoussières conçus spécialement pour ne pas laisser passer les particules microscopiques.

SYMBOLES DE SÉCURITÉ

L'objectif des symboles de sécurité est d'attirer votre attention sur les dangers potentiels. Vous devez examiner attentivement et bien comprendre les symboles de sécurité et les explications qui les accompagnent. Les symboles d'avertissement n'éliminent pas le danger d'eux-mêmes. Les consignes et avertissements qu'ils donnent ne remplacent en aucun cas la prise de mesures préventives adéquates.

⚠ AVERTISSEMENT : Avant d'utiliser cet outil, veuillez à lire et à comprendre toutes les consignes de sécurité du guide d'utilisation, notamment tous les symboles d'alerte de sécurité comme « **DANGER** », « **AVERTISSEMENT** » et « **MISE EN GARDE** ». Le fait de ne pas respecter toutes les consignes ci-dessous peut occasionner un choc électrique, un incendie ou des blessures graves.

SIGNIFICATION DES SYMBOLES

⚠ SYMBOLE D'ALERTE DE SÉCURITÉ : Indique un **DANGER**, un **AVERTISSEMENT** ou une **MISE EN GARDE**. Il peut être associé à d'autres symboles ou pictogrammes.




⚠ AVERTISSEMENT : Lors de l'utilisation de tout outil électrique, des corps étrangers peuvent être projetés dans les yeux et causer des lésions oculaires graves. Avant d'utiliser un outil électrique, veuillez à toujours porter des lunettes de protection couvrantes ou à écrans latéraux, ou un masque complet au besoin. Nous recommandons le port d'un masque de sécurité panoramique par-dessus les lunettes ou de lunettes de sécurité standard avec écrans latéraux. Portez toujours un équipement de protection des yeux conforme à la norme ANSI Z87.1.

CONSIGNES DE SÉCURITÉ

Cette page illustre et décrit les symboles de sécurité qui peuvent être présents sur ce produit. Vous devez lire, comprendre et suivre toutes les instructions présentes sur l'appareil avant d'entamer son assemblage ou son utilisation.

	Alerte de sécurité	Indique un risque de blessure.
	Protection oculaire	Lorsque vous utilisez ce produit, veillez à toujours porter des lunettes de protection couvrantes ou à écrans latéraux, ou un masque complet.
	Assurez-vous de lire et de comprendre le guide d'utilisation	Afin de réduire les risques de blessure, l'utilisateur doit lire et comprendre le guide d'utilisation avant d'utiliser ce produit.
	DANGER – Gardez les mains éloignées de la turbine	N'utilisez pas vos mains pour désobstruer la goulotte.
	Gardez les pieds éloignés de la turbine	Gardez les pieds éloignés de la turbine rotative.
	Symbole de recyclage	Ce produit fonctionne au moyen d'un bloc-pile au lithium-ion (Li-ion). La législation locale, provinciale ou fédérale peut interdire la mise au rebut des blocs-piles dans une poubelle ordinaire. Consultez l'organisme local en matière de déchets au sujet des options disponibles pour la mise au rebut ou le recyclage.
IPX4	Niveau de protection d'indice	Protection contre les projections d'eau

V	Volt	Tension
	Courant continu	Type ou caractéristique du courant
cm	Centimètre	Longueur ou taille
in.	Pouce	Longueur ou taille
Ft.	pi	Longueur ou taille
kg	Kilogramme	Poids
lb	Livre	Poids

⚠ AVERTISSEMENT : Pour assurer la sécurité et la fiabilité de l'appareil, toutes les réparations doivent être effectuées par un technicien en entretien et en réparation qualifié.

PRATIQUES D'UTILISATION SÉCURITAIRES DE LA SOUFFLEUSE À NEIGE POUSSÉE

⚠ DANGER : Cette souffleuse à neige peut amputer une personne des bras et des pieds et projeter des objets. Le non-respect des consignes de sécurité peut entraîner des blessures graves.

POUR TOUTES LES SOUFFLEUSES À NEIGE

- N'utilisez pas cet appareil sur une surface de gravier.
- Maintenez les enfants à l'écart. Tous les visiteurs doivent se tenir à une distance sécuritaire de la zone de travail.
- Portez une tenue adéquate. Ne portez pas de vêtements amples ni de bijoux qui peuvent s'accrocher. Ils pourraient se coincer dans les pièces mobiles de la souffleuse.
- Portez des bottes en caoutchouc lorsque vous utilisez la souffleuse à neige.
- Gardez vos mains éloignées des pièces mobiles.
- Assurez-vous que les protecteurs sont bien en place et en état de fonctionnement.
- Ne forcez pas la souffleuse à neige. Elle fonctionnera mieux et sera plus sécuritaire au régime de fonctionnement pour lequel elle a été conçue.

- N'essayez pas d'étendre votre portée. Gardez une posture sécuritaire et un bon équilibre en tout temps.
- Si la souffleuse à neige heurte un objet étranger, procédez comme suit :
 - 1) Arrêtez la souffleuse à neige. Relâcher l'interrupteur.
 - 2) Retirez les blocs-piles.
 - 3) Vérifiez si l'appareil est endommagé.
 - 4) Réparez tout dommage avant de redémarrer et d'utiliser la souffleuse à neige.
- Rangez la souffleuse à neige à l'intérieur. Lorsqu'elle n'est pas utilisée, la souffleuse à neige doit être rangée à l'intérieur dans un endroit sec et fermé à clé, hors de la portée des enfants.
- Entretenez soigneusement votre souffleuse à neige. Suivez toutes les instructions relatives à la lubrification et au remplacement des accessoires.

FORMATION

- Vous devez lire, comprendre et suivre toutes les instructions indiquées sur la machine ou dans les guides d'utilisation avant de vous servir de cet appareil. Assurez-vous de bien connaître les commandes et l'utilisation appropriée de l'équipement. Sachez comment arrêter l'appareil et désengager les commandes rapidement.
- Ne laissez jamais des enfants utiliser l'équipement. Ne laissez jamais des adultes utiliser l'appareil sans leur fournir les instructions appropriées.
- Assurez-vous de garder toutes les personnes, en particulier les jeunes enfants, à l'extérieur de la zone d'utilisation.
- Faire preuve de prudence pour éviter de glisser ou de tomber, surtout lorsque vous utilisez la souffleuse à neige à reculons.

PRÉPARATION

- Inspectez soigneusement la zone où l'équipement doit être utilisé et retirez tous les paillassons, traîneaux, planches, fils et autres corps étrangers.
- N'utilisez pas l'appareil sans porter des vêtements d'hiver adéquats. Ne portez pas de vêtements amples qui peuvent se coincer dans les pièces mobiles. Portez des bottes qui améliorent votre stabilité sur des surfaces glissantes.
- N'essayez jamais de faire des ajustements lorsque le moteur tourne (sauf si le fabricant le recommande explicitement).

- Portez toujours des lunettes de sécurité ou des protecteurs oculaires pendant que vous utilisez la machine ou que vous procédez à des réglages ou à une réparation afin de protéger vos yeux contre des corps étrangers pouvant être projetés par la machine.

FONCTIONNEMENT

- Prévenez une mise en marche accidentelle. Assurez-vous que l'interrupteur est dans la position d'arrêt avant de le connecter au bloc-piles, ou de soulever ou de transporter votre outil. Le fait de transporter un outil électrique avec le doigt sur l'interrupteur ou de le mettre sous tension avec l'interrupteur en position de marche invite les accidents.
- Ne mettez pas les mains ni les pieds à proximité des pièces rotatives, ni sous ces pièces. Maintenez l'ouverture de la goulotte dégagée en tout temps.
- Soyez extrêmement prudent lorsque vous déneigez des entrées, des allées et des trottoirs de gravier ou lorsque vous traversez de telles surfaces. Prêtez attention à la circulation et aux dangers cachés.
- Après avoir heurté un obstacle, arrêtez le moteur, retirez les blocs-piles, vérifiez soigneusement que la souffleuse à neige n'est pas endommagée. Effectuez les réparations nécessaires avant de redémarrer l'appareil et de reprendre le déneigement.
- Si l'appareil venait à vibrer de manière anormale, arrêtez le moteur et trouvez immédiatement la cause des vibrations. Les vibrations indiquent généralement un problème.
- Arrêtez le moteur chaque fois que vous quittez la position de conduite, avant de désobstruer le logement de la vis sans fin ou la goulotte, et avant d'entreprendre des réparations, des réglages ou des inspections.
- Avant tout nettoyage, toute inspection ou toute réparation de la souffleuse à neige, arrêtez le moteur et attendez l'arrêt complet de la vis sans fin et de toutes les pièces mobiles. Retirez les blocs-piles afin que le moteur ne puisse être démarré accidentellement.
- Faites preuve d'une extrême prudence lorsque vous utilisez l'appareil sur des pentes.
- Ne faites jamais fonctionner la souffleuse à neige sans que les protecteurs et les autres dispositifs de sécurité appropriés ne soient en place et fonctionnels.
- Ne dirigez jamais l'éjection vers des personnes ou des endroits qui pourraient subir des dommages matériels. Tenez les enfants et autres personnes à distance.

- Ne forcez pas la capacité de la machine en tentant de déblayer la neige à une vitesse trop rapide.
- Désengagez l'alimentation de la vis sans fin lorsque vous transportez la souffleuse à neige ou que vous ne l'utilisez pas.
- N'utilisez que des pièces et des accessoires approuvés par le fabricant de la souffleuse à neige (tels que palettes en caoutchouc, barres de raclage et courroies d'entraînement).
- Ne faites jamais fonctionner la souffleuse à neige à moins de disposer d'une bonne visibilité ou d'un éclairage suffisant. Veillez à ne pas perdre l'équilibre et tenez fermement le guidon. Marchez; ne courez jamais.
- N'exposez pas un bloc-piles ou un appareil à un feu ou à une température excessive. L'exposition au feu ou à une température supérieure à 100 °C (212 °F) peut provoquer une explosion.
- Utilisez le produit uniquement avec les blocs-piles et les chargeurs indiqués ci-dessous :

BLOC-PILE	CHARGEUR
BA1120, BA1120-FC, BA1400, BA1400-FC, BA2240, BA2240-FC, BA2800, BA2800-FC, BA4200, BA4200-FC, BA1400T, BA1400T-FC, BA2800T, BA2800T-FC, BA4200T, BA4200T-FC, BA5600T, BA5600T-FC	CH2100, CH2100-FC, CH5500, CH5500-FC

AVIS : Pour un rendement optimal, nous vous recommandons d'utiliser l'appareil avec 2 blocs-piles de 5,0 Ah ou de capacité supérieure.

POUR DÉSOBSTRUER LA GOULOTTE D'ÉJECTION

Le contact de la main avec la vis sans fin en marche à l'intérieur de la goulotte d'éjection est la cause la plus courante de blessures associées aux souffleuses à neige. N'utilisez jamais vos mains pour désobstruer la goulotte d'éjection.

Pour désobstruer la goulotte :

- **ARRÊTEZ LE MOTEUR!**
- Attendez 10 secondes pour vous assurer que les lames de la vis sans fin ne tournent plus.
- Utilisez toujours un outil de déblocage, et non vos mains.

ENTRETIEN ET REMISAGE

- Vérifiez fréquemment le serrage de tous les boulons ou fixations pour vous assurer que l'équipement est en bon état de marche.
- Suivez toujours les instructions de remisage qui figurent dans le guide d'utilisation avant de remettre la machine pour une durée prolongée, afin de n'oublier aucune opération importante.
- Préservez ou remplacez les étiquettes de sécurité et d'instruction, selon les besoins.
- Après avoir utilisé la souffleuse à neige, laissez-la tourner à vide quelques minutes pour éviter que la vis sans fin ne soit bloquée par le gel.

CONSERVEZ CES INSTRUCTIONS. Consultez-les régulièrement et utilisez-les pour expliquer le fonctionnement de la souffleuse à d'autres personnes qui l'utiliseraient. Si vous prêtez cet outil à quelqu'un, prêtez-lui également ces instructions afin de prévenir une utilisation inappropriée du produit et des blessures potentielles.

INTRODUCTION

Nous vous félicitons d'avoir choisi une souffleuse à neige de nouvelle génération propulsée par un bloc-pile au lithium-ion de 56 V. Il a été conçu et fabriqué afin de vous offrir la meilleure fiabilité et le meilleur rendement possible.

Si vous éprouvez un problème que vous n'arrivez pas à régler facilement, veuillez communiquer avec le centre de service à la clientèle d'EGO au 1 855 EGO-5656.

Le présent guide contient des renseignements importants pour assembler, utiliser et entretenir la souffleuse à neige en toute sécurité. Lisez-le attentivement avant d'utiliser l'outil. Conservez ce guide à portée de main afin de pouvoir le consulter à tout moment.

NUMÉRO DE SÉRIE _____ DATE D'ACHAT _____

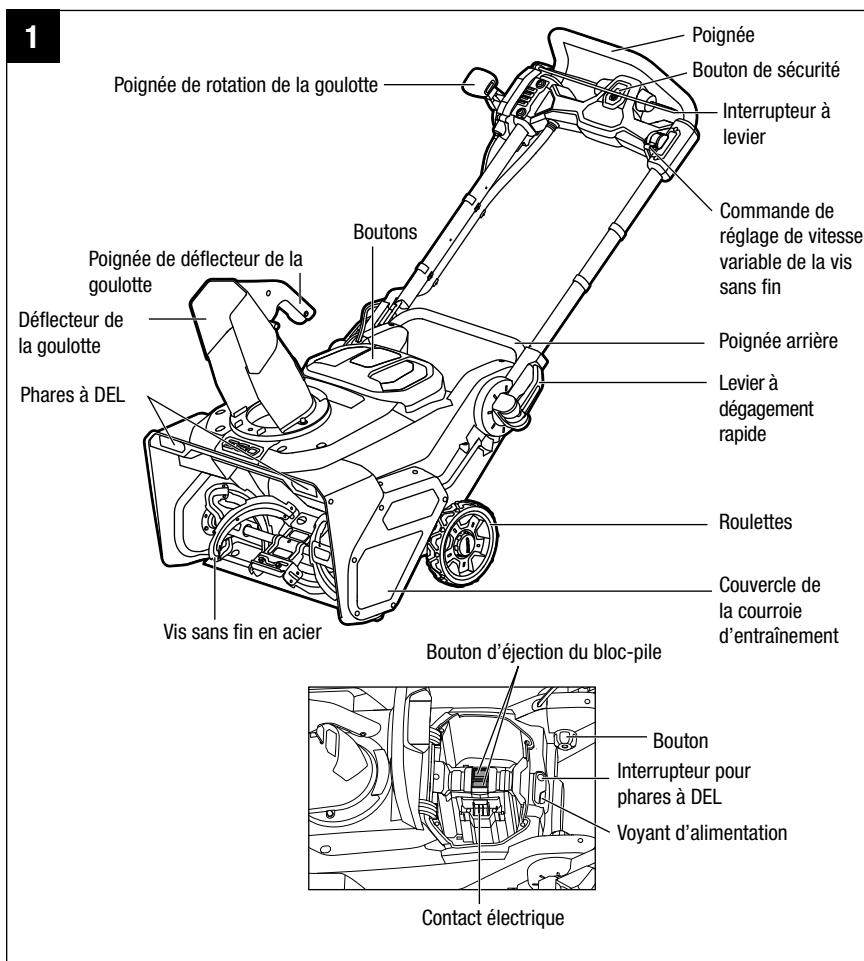
LES NUMÉROS DE MODÈLE ET DE SÉRIE SE TROUVENT SUR UNE ÉTIQUETTE FIXÉE SUR LE LOGEMENT DE LA VIS SANS FIN.

NOUS VOUS RECOMMANDONS DE NOTER LE NUMÉRO DE SÉRIE ET LA DATE D'ACHAT ET DE LES CONSERVER EN LIEU SÛR AFIN DE POUVOIR LES CONSULTER ULTÉRIEUREMENT. CONSERVEZ VOTRE REÇU DE CAISSE.

CARACTÉRISTIQUES

Tension	56 V c.c.
Largeur de déblaiement	53,34 cm
Hauteur d'admission	33,02 cm
Distance de projection	Jusqu'à 10,66 mètres
Dimensions des roues	17,78 cm
Température de fonctionnement	-20°C-10°C(-4°F-50°F)
Température de stockage	-20°C-70°C(-4°F-158°F)
Poids de la souffleuse à neige (sans blocs-piles)	53 lbs(24.05 kg)

DESCRIPTION



⚠ AVERTISSEMENT : Pour utiliser ce produit en toute sécurité, vous devez comprendre les renseignements le concernant contenus dans le présent guide d'utilisation et connaître le projet que vous entreprenez. Avant d'utiliser ce produit, familiarisez-vous avec toutes les caractéristiques de fonctionnement et consignes de sécurité.

Bouton de sécurité

Le bouton de sécurité doit être enfoncé avant que le moteur puisse être démarré.

Interrupteur à levier

L'interrupteur à levier se trouve sur la partie supérieure de la poignée de la souffleuse à neige. L'interrupteur engage et désengage le moteur et la vis sans fin.

⚠ AVERTISSEMENT : L'interrupteur à levier et le bouton de sécurité sont des dispositifs de sécurité. Ne tentez jamais de désactiver leur fonctionnement.

Frein électrique

Bloque rapidement la rotation de la vis sans fin lorsque l'interrupteur à levier est relâché.

Levier à dégagement rapide

Verrouille et déverrouille les montants latéraux pour permettre des positions de travail ou de stockage.

Commande de réglage de vitesse variable de la vis sans fin

Règle la vitesse de la vis sans fin afin d'ajuster la distance de projection.

Poignée de rotation de la goulotte

Fait pivoter la goulotte afin que l'utilisateur puisse diriger la neige où il le souhaite. La poignée permet de faire pivoter la goulotte de 90 degrés vers la gauche et de 90 degrés vers la droite.

Poignée de déflecteur de la goulotte

Permet de régler l'angle de la goulotte et la hauteur du jet de sortie.

Phares à DEL

Les phares à DEL sont situés sur le devant de l'appareil. Cette fonctionnalité fournit une lumière supplémentaire pour une visibilité accrue.

ASSEMBLAGE

⚠ AVERTISSEMENT : Pour empêcher une mise en marche accidentelle pouvant causer des blessures graves, retirez toujours les blocs-piles de l'appareil avant d'assembler des pièces.

⚠ AVERTISSEMENT : S'il y a des pièces manquantes ou endommagées, ne tentez pas d'utiliser ce produit tant que ces pièces n'auront pas été remplacées. Le fait d'utiliser cet article avec des pièces endommagées ou manquantes pourrait entraîner des blessures graves.

⚠ AVERTISSEMENT : Ne tentez pas de modifier cet outil ou de créer des accessoires qui ne sont pas recommandés pour ce produit. Toute modification est considérée comme un usage inapproprié et pourrait occasionner des risques de blessures graves.

DÉBALLAGE

- Saisissez la poignée arrière et la partie avant de l'appareil en même temps et soulevez l'outil avec précaution pour le retirer de son emballage. Retirez tous les autres accessoires de l'emballage. Assurez-vous que toutes les pièces mentionnées sur la liste des pièces sont présentes.

⚠ AVERTISSEMENT : N'utilisez pas ce produit si des pièces figurant sur la liste des pièces contenues dans l'emballage sont déjà assemblées sur votre produit au moment où vous le déballez. Les pièces figurant sur cette liste n'ont pas été assemblées au produit par le fabricant et devront être installées par le client. L'utilisation d'un article qui pourrait avoir été mal assemblé pourrait entraîner des blessures graves.

- Inspectez soigneusement le produit pour vérifier qu'il n'a pas été endommagé pendant l'expédition.
- Ne jetez pas le matériel d'emballage avant d'avoir inspecté soigneusement la souffleuse et de l'avoir fait fonctionner de manière satisfaisante.
- S'il y a des pièces manquantes ou endommagées, veuillez retourner le produit à l'endroit où vous l'avez acheté.

LISTE DU CONTENU

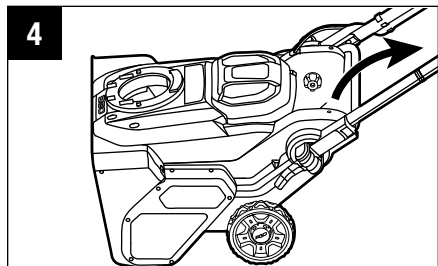
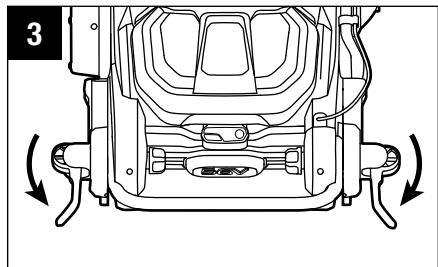
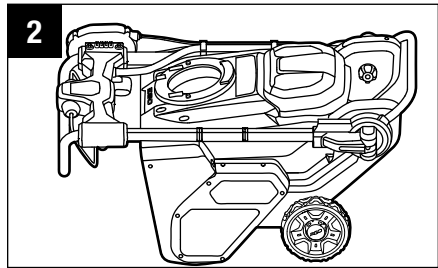
NOM DE LA PIÈCE	QUANTITÉ
Souffleuse à neige	1
Goulotte d'évacuation	1
Guide d'utilisation	1
Clé hexagonale	1

DÉPLIAGE ET REPLIAGE DES MONTANTS LATÉRAUX

⚠ AVERTISSEMENT : N'essayez pas de démarrer la souffleuse à neige lorsque les montants latéraux sont repliés vers le bas.

Pour déplier les montants latéraux

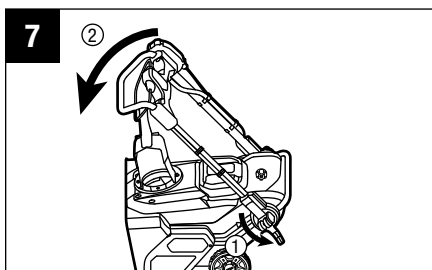
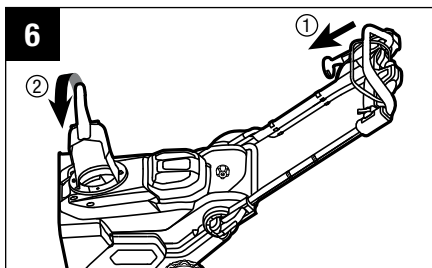
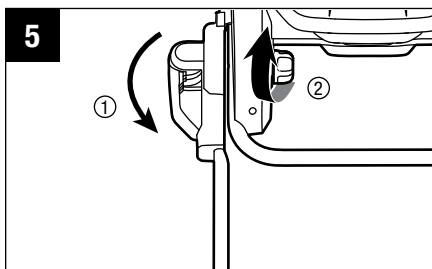
1. La souffleuse à neige est livrée avec les montants latéraux en position compacte et verrouillée (Fig. 2).
2. Ouvrez les leviers à dégagement rapide des deux côtés et faites pivoter délicatement les montants latéraux vers le haut jusqu'à ce qu'ils s'arrêtent (Fig. 3 et 4).



3. Fermez les leviers à dégagement rapide et serrez les boutons pour fixer les montants latéraux en place (Fig. 5).

Pour plier les montants latéraux

1. Poussez la poignée de rotation de la goulotte à fond vers l'avant pour que la goulotte soit tournée vers la gauche lorsque vous tenez derrière la souffleuse à neige. Appuyez sur la gâchette de la poignée du déflecteur de la goulotte pour l'incliner à fond vers le bas (Fig. 6).
2. Ouvrez les leviers à dégagement rapide des deux côtés pour plier les montants latéraux en position de rangement (Fig. 7).

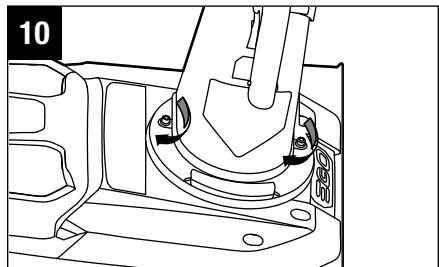
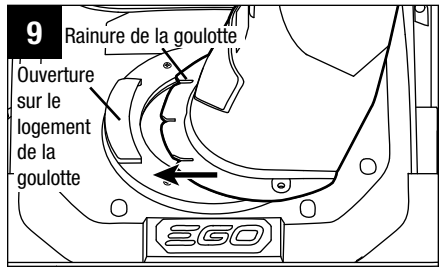
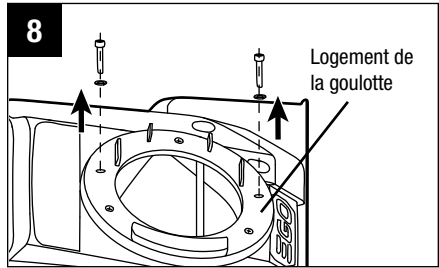


INSTALLATION DE LA GOULOTTE

1. Utilisez la clé hexagonale fournie pour desserrer les deux boulons dans le logement de la goulotte, puis retirez les boulons (Fig. 8).
2. Alignez les rainures de la goulotte à l'ouverture sur le logement de la goulotte et poussez la goulotte pour la mettre en place (Fig. 9).
3. Utilisez la clé hexagonale pour verrouiller la goulotte en place avec les deux boulons (Fig. 10).

⚠ AVERTISSEMENT : En utilisant la poignée de rotation de la goulotte située à la position de l'opérateur, assurez-vous que la goulotte pivote correctement et que l'ouverture d'éjection ne croise jamais les commandes de l'opérateur.

⚠ AVERTISSEMENT : Ne faites jamais fonctionner la souffleuse à neige sans que la goulotte d'éjection complète ne soit en place.



FONCTIONNEMENT

⚠ AVERTISSEMENT : Même si vous connaissez parfaitement la souffleuse, soyez vigilant. Gardez en tête qu'il suffit d'être négligent une fraction de seconde pour se blesser gravement.

⚠ AVERTISSEMENT : Portez toujours des lunettes de sécurité pourvues d'écrans latéraux, conformes à la norme ANSI Z87.1; sinon, vous pourriez recevoir des débris dans les yeux et vous blesser gravement.

⚠ AVERTISSEMENT : N'utilisez pas de pièces ni d'accessoires qui ne sont pas recommandés par le fabricant de ce produit. L'utilisation de pièces ou d'accessoires non recommandés peut causer des blessures graves.

APPLICATION

Cet article convient à la tâche indiquée ci-dessous :

Déneiger des endroits comme des allées et des trottoirs.

FIXATION ET RETRAIT DU BLOC-PILE

CHARGEZ LE BLOC-PILE AVANT LA PREMIÈRE UTILISATION.

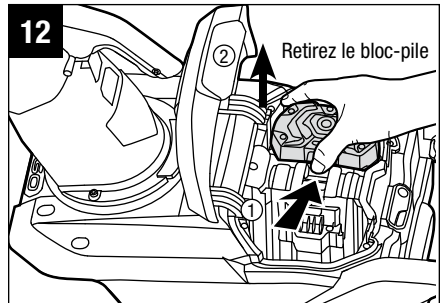
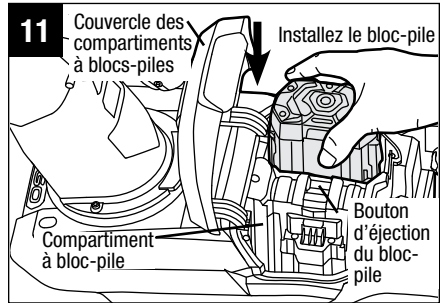
REMARQUE : Pour un rendement optimal, nous vous recommandons d'utiliser deux blocs-piles Arc-lithium de 56 V et 5,0 Ah EGO ou deux blocs-piles Arc-lithium de 56 V EGO d'une capacité supérieure.

Quand ils ne sont pas utilisés, les blocs-piles de 56 V doivent être rangés dans un endroit fermé où la température ne descendra pas au-dessous de -20° C. Les températures de charge optimales sont comprises entre 5° C et 40° C.

⚠ AVERTISSEMENT : Si une pièce est manquante ou endommagée, n'essayez pas de fixer les blocs-piles sur la souffleuse à neige ni d'utiliser la souffleuse tant que la pièce manquante ou endommagée n'a pas été remplacée. Sinon, vous risquez de subir de graves blessures.

1. Le couvercle du logement des blocs-piles est doté de charnières. Relevez le couvercle du logement des blocs-piles en soulevant l'avant du couvercle.

2. La souffleuse à neige est équipée de deux compartiments à blocs-piles,, lesquels peuvent accueillir deux blocs-piles en même temps.
3. Alignez les rainures du bloc-pile sur les nervures dans l'un des compartiments à blocs-piles, et insérez le bloc-pile dans le compartiment (Fig. 11).
4. Poussez le bloc-pile jusqu'à ce que vous entendiez un déclic. Le bouton de déverrouillage du bloc-pile remonte lorsque le bloc-pile est solidement fixé.
5. Fixez l'autre bloc-pile dans l'autre compartiment de la même manière.
6. Pour retirer le bloc-pile, appuyez sur le bouton de déverrouillage pour dégager le bloc-pile et le sortir du compartiment (Fig. 12).
7. Fermez le couvercle du compartiment à blocs-piles.



AVIS : Assurez-vous que le verrou sur la souffleuse à neige s'enclenche et que les blocs-piles sont bien fixés à l'unité avant de démarrer celle-ci.

DÉMARRAGE ET ARRÊT DE LA SOUFFLEUSE À NEIGE

⚠ ATTENTION : Ne tentez pas de désactiver le fonctionnement du bouton de sécurité et de l'interrupteur à levier.

⚠ AVERTISSEMENT : L'utilisation d'une souffleuse à neige peut entraîner la projection de corps étrangers dans vos yeux ou dans les yeux d'autres personnes et ainsi causer des lésions oculaires graves. Portez toujours des lunettes de sécurité lorsque vous utilisez la souffleuse à neige ou lorsque vous effectuez des réglages ou des réparations sur l'appareil.

⚠ AVERTISSEMENT : Assurez-vous que les personnes et les animaux restent à au moins 30 m (100 pi) de la souffleuse à neige lorsqu'elle est en cours d'utilisation.

⚠ AVERTISSEMENT : Une fois que vous aurez éteint la souffleuse à neige, la vis sans fin continuera à tourner pendant quelques secondes. Laissez la vis sans fin s'arrêter avant de la redémarrer.

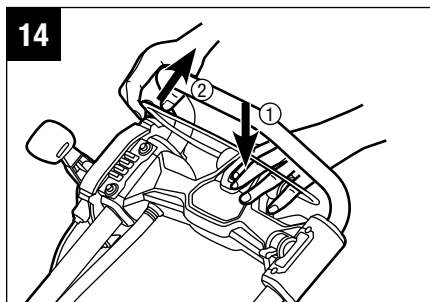
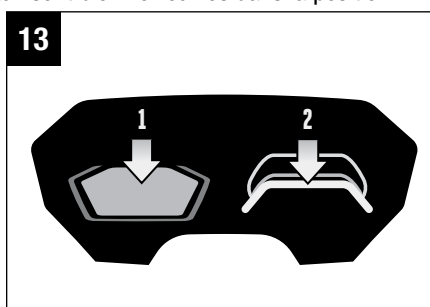
AVIS : Évitez de mettre en marche et d'éteindre rapidement la souffleuse à neige.

Pour démarrer la souffleuse à neige

1. Assurez-vous que les montants latéraux sont bien verrouillés dans la position dépliée et ouverte.
2. Installez les blocs-piles dans la souffleuse à neige et fermez le couvercle du compartiment.

AVIS : Assurez-vous que le verrou sur la souffleuse à neige s'enclenche et que les blocs-piles sont bien fixés à la souffleuse avant de démarrer celle-ci.

3. Enfoncez le bouton de sécurité et, en maintenant le bouton enfoncé, tirez sur l'interrupteur à levier vers le haut pour atteindre la poignée (Fig. 13 et 14).



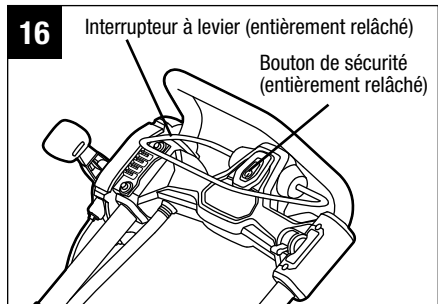
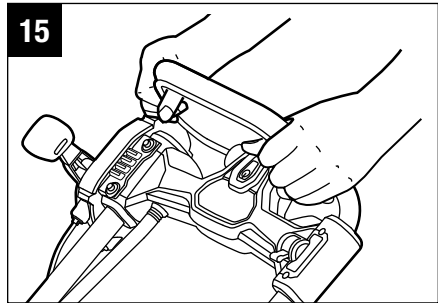
- Une fois que l'outil est en marche, relâchez le bouton de sécurité et commencez l'opération de déneigement (Fig. 15).

AVIS : Pour que l'outil se mette en marche, vous devez d'abord appuyer sur le bouton de sécurité, puis serrer l'interrupteur à levier; l'opération inverse ne permettra pas à l'outil de se mettre en marche.

AVIS : Il se peut que la souffleuse à neige ne démarre pas correctement si la température du bloc-pile est de $-20\text{ }^{\circ}\text{C}$ ($-4\text{ }^{\circ}\text{F}$) ou moins. Si l'appareil ne démarre pas, retirez le bloc-pile de la souffleuse à neige et laissez-le se réchauffer à l'intérieur pendant 10 minutes ou plus. Réinstallez le bloc-pile, puis réessayez.

Pour arrêter la souffleuse à neige

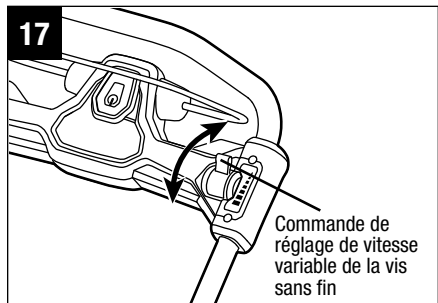
- Relâchez complètement l'interrupteur à levier (Fig. 16).
- Le frein électrique du mécanisme de freinage automatique bloquera la rotation de la vis sans fin dans les 3 secondes suivant le relâchement de l'interrupteur à levier.



Système de vis sans fin à vitesse variable (Fig. 17)

Vous pouvez régler la vitesse de la vis sans fin en fonction de la distance de projection souhaitée.

- Pour augmenter la vitesse, déplacez la commande de vitesse variable de la vis sans fin vers l'avant.
- Pour réduire la vitesse, déplacez la commande de vitesse variable de la vis sans fin vers l'arrière.

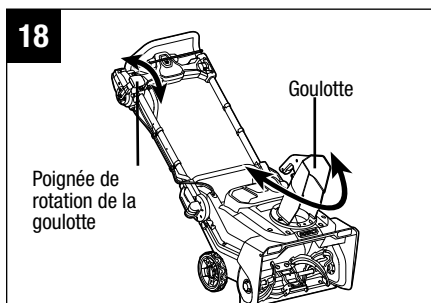


RÉGLAGE DE LA GOULOTTE

Vous pouvez ajuster la goulotte pour changer la direction de l'éjection de la neige et la distance de projection. Cela vous aide lorsque vous déplacez de la neige d'une zone vers une autre.

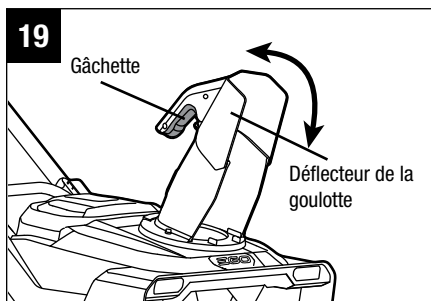
La direction de l'éjection de la neige est réglable jusqu'à 180 degrés (Fig. 18).

1. Poussez la poignée de rotation de la goulotte vers l'avant pour faire pivoter la goulotte vers la gauche.
2. Tirez la poignée de rotation de la goulotte vers l'arrière pour faire pivoter la goulotte vers la droite.



Vous pouvez régler la distance de projection de la souffleuse à neige en déplaçant le déflecteur de la goulotte vers le haut ou vers le bas (Fig. 19). Relâchez l'interrupteur à levier avant d'ajuster le déflecteur de la goulotte.

1. Pour augmenter la distance sur laquelle la neige est projetée, serrez la poignée du déflecteur de la goulotte et soulevez ensuite le déflecteur de la goulotte. Relâchez la gâchette sur la poignée du déflecteur pour bloquer le déflecteur de la goulotte (Fig. 19).
2. Pour diminuer la distance sur laquelle la neige est projetée, il suffit de baisser le déflecteur avec la poignée du déflecteur.



⚠ AVERTISSEMENT : Ne forcez pas la goulotte vers l'avant au point qu'un espace se forme entre le déflecteur et la goulotte elle-même. De la neige ou d'autres débris pourraient être projetés à travers l'espace ainsi créé et venir heurter l'opérateur, ce qui pourrait lui causer des blessures graves.

⚠ AVERTISSEMENT : N'ajustez pas le déflecteur de la goulotte pendant que l'interrupteur à levier est engagé. Relâchez toujours l'interrupteur à levier avant d'ajuster le déflecteur de la goulotte.

DÉSObSTRUER LA GOULOTTE

⚠ AVERTISSEMENT : Le contact des mains avec la vis sans fin en marche à l'intérieur de la goulotte est la cause la plus courante de blessures associées aux souffleuses à neige. N'utilisez jamais vos mains pour désobstruer la goulotte.

Pour désobstruer la goulotte :

1. Coupez le moteur et la vis sans fin.
2. Retirez les blocs-piles de la souffleuse à neige.
3. Attendez 10 secondes pour vous assurer que la vis sans fin ne tourne plus.
4. Utilisez toujours un outil de nettoyage, comme une tige de bois ou d'autres outils de dégagement vendus dans le commerce; n'utilisez pas votre main.

PHARES À DEL (Fig. 20)

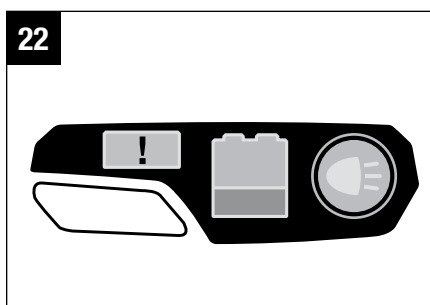
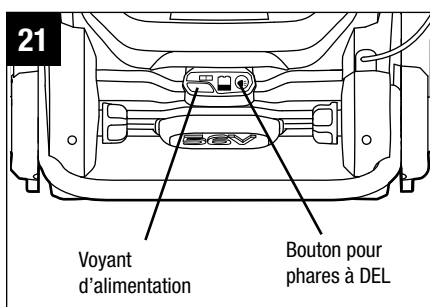
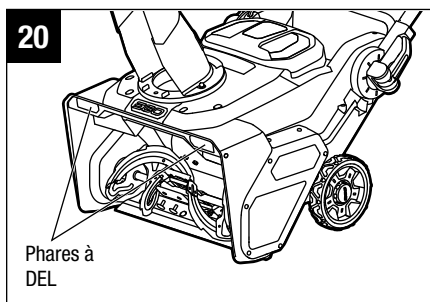
Les phares à DEL sont situés sur le devant de la souffleuse à neige.

1. Pour allumer les phares, appuyez sur le bouton des phares à DEL (Fig. 21 et 22). Les phares projettent une lumière vive devant la souffleuse à neige.
2. Pour éteindre les phares, appuyez de nouveau sur le bouton des phares à DEL.

VOYANT D'ALIMENTATION SUR LA SOUFFLEUSE À NEIGE (Fig. 21 et 22)

La souffleuse à neige est munie d'un voyant d'alimentation qui indique le niveau de charge des blocs-piles et l'état de fonctionnement de la souffleuse à neige. L'indicateur d'alimentation s'allume lorsque la vis sans fin tourne ou que les phares à DEL sont allumés.

- Le voyant vert indique qu'il reste au moins 15 % de la capacité de charge des blocs-piles.
- Le voyant rouge indique que la charge du bloc-pile est faible.
- Le voyant clignotant rouge indique que le bloc-pile est presque déchargé et qu'il est nécessaire de le charger immédiatement.



VOYANT D'ALIMENTATION	SIGNIFICATION	ACTION
Vert brillant	La souffleuse à neige fonctionne correctement; chaque bloc-pile a au moins 15 % de sa charge.	S.O.
Rouge brillant	Le niveau de charge des blocs-piles est faible.	Arrêtez la souffleuse à neige et rechargez les blocs-piles.
Rouge clignotant	Le bloc-pile est presque déchargé.	Arrêtez la souffleuse à neige et rechargez les blocs-piles.
Orange brillant	La souffleuse à neige ou un bloc-pile surchauffe.	Arrêtez la souffleuse à neige et laissez refroidir la machine et les blocs-piles un certain temps.
Orange clignotant	La souffleuse à neige est surchargée.	Retirez les blocs-piles, vérifiez la machine et nettoyez la neige qui aurait pu se loger sous le plateau ou dans la vis sans fin. Ralentissez votre rythme de déneigement ou diminuez la largeur de déblaiement de la neige.

PROTECTION DE LA SOUFFLEUSE À NEIGE CONTRE LA SURCHARGE

Pour éviter des conditions de surcharge, n'essayez pas de déblayer trop de neige en une seule fois. Ralentissez votre rythme de déneigement ou réduisez la largeur de déblaiement de la neige.

Votre souffleuse à neige comporte des éléments intégrés de détection de surcharge. Lorsque la souffleuse à neige est surchargée, le moteur diminue sa vitesse automatiquement et vous entendez le volume du moteur décroître. Dans ce cas, ralentissez votre rythme de déneigement ou réduisez la largeur de déblaiement de la neige; la vitesse du moteur reviendra automatiquement à un régime normal. Si ce recours ne résout pas la situation de surcharge, le capteur éteint automatiquement le moteur et l'indicateur de mise en marche clignote en orange. Retirez les blocs-piles de la souffleuse à neige. Vérifiez si de la neige ou de la glace est coincée dans la vis sans fin et dans le plateau; utilisez un outil de nettoyage pour la retirer au besoin. Réinstallez les blocs-piles et redémarrez la souffleuse à neige.

PROTECTION DU BLOC-PILE CONTRE UNE SURCHAUFFE

Si la température du bloc-pile dépasse 70 °C (158 °F) pendant le fonctionnement, le circuit de protection contre une surchauffe éteint immédiatement la souffleuse à neige pour éviter que les blocs-piles ne subissent des dommages causés par une surchauffe. Le voyant d'alimentation de la souffleuse à neige s'allumera et brillera en orange, et les DEL sur les piles clignoteront en orange ou s'allumeront et brilleront en rouge.

AVIS : Les DEL sur les modèles de blocs-piles suivants clignoteront en orange en cas de surchauffe : BA1120, BA1120-FC, BA1400, BA1400-FC, BA2240, BA2240-FC, BA2800, BA2800-FC, BA4200 et BA4200-FC ; les DEL sur les modèles de blocs-piles suivants s'allumeront et brilleront en rouge en cas de surchauffe : BA1400T, BA1400T-FC, BA2800T, BA2800T-FC, BA4200T, BA4200T-FC, BA5600T et BA5600T-FC.

Relâchez l'interrupteur à levier et laissez refroidir les blocs-piles surchauffés jusqu'à ce que la lumière à DEL orange clignotante sur le bloc-pile devienne verte, puis redémarrez la souffleuse à neige.

Pour éviter que la souffleuse à neige ne s'éteigne en raison d'une surchauffe des blocs-piles, n'essayez pas d'utiliser un seul bloc-pile pour alimenter la souffleuse à neige lorsque la couche de neige accumulée est supérieure à 7,62 cm ou lorsque la neige est très mouillée ou verglacée.

Nous recommandons l'utilisation de deux blocs-piles fonctionnant simultanément. Ils seront utiles pour que la souffleuse à neige atteigne sa puissance maximale.

Après une surchauffe des blocs-piles, ralentissez votre rythme et réduisez la largeur de déblaiement pour réduire la charge sur les blocs-piles.

CONSEILS D'UTILISATION

⚠ DANGER : N'utilisez jamais une souffleuse à neige sur des rivières ou des lacs gelés, ou sur des surfaces similaires. Des blessures graves ou la mort pourraient survenir si la glace cède.

⚠ DANGER : N'utilisez jamais la souffleuse à neige sur un toit ou sur toute autre surface instable, car cela pourrait entraîner des blessures graves ou la mort.

⚠ AVERTISSEMENT : N'utilisez pas la souffleuse à neige sur une surface verglacée, car vous pourriez glisser et tomber, ce qui pourrait éventuellement vous causer des blessures graves.

⚠ AVERTISSEMENT : Ne portez pas de vêtements amples, de foulard ni de bijoux qui peuvent s'accrocher. Ceux-ci risquent de se prendre dans les pièces mobiles et entraîner des blessures graves ou la mort.

⚠ AVERTISSEMENT : Dirigez la projection de la neige loin de tout appareil électrique afin de réduire les risques d'électrocution.

⚠ AVERTISSEMENT : Ne dirigez jamais la souffleuse à neige ou la goulotte vers des personnes ou des animaux. De la neige ou d'autres objets projetés peuvent causer des blessures graves.

⚠ AVERTISSEMENT : Assurez-vous que la surface à déneiger est exempte de pierres, de branches, de fils, de gravier et d'autres objets qui pourraient être accidentellement projetés par la souffleuse à neige dans n'importe quelle direction et causer de graves blessures à l'opérateur ou à d'autres personnes.

- Si l'appareil est en contact avec tout type d'obstacles ou de débris pendant l'utilisation, arrêtez la souffleuse à neige, retirez les blocs-piles, éliminez l'obstruction et inspectez soigneusement l'appareil avant de reprendre le déneigement.

⚠ AVERTISSEMENT : Ne touchez pas l'intérieur de la goulotte d'éjection et ne placez aucune partie de votre corps devant la souffleuse à neige lorsque l'appareil est en marche ou lorsque les blocs-piles sont installés. Assurez-vous toujours que toutes les pièces mobiles ont cessé de bouger et que les blocs-piles ont été retirés avant de débloquer toute obstruction. Le non-respect de ces instructions peut entraîner des blessures graves.

- Prenez note de la direction du vent avant de commencer. Lorsque cela est possible, projetez la neige dans le sens du vent pour empêcher qu'elle ne vous revienne dans le visage.
- Certaines pièces de la souffleuse à neige peuvent geler dans des conditions météorologiques extrêmes. Ne tentez pas de faire fonctionner cette unité avec des pièces gelées.
- Lorsque vous avez terminé, laissez le moteur tourner pendant encore quelques minutes afin d'éviter que des pièces mobiles ne gèlent, puis déplacez la poignée de rotation de la goulotte plusieurs fois dans un mouvement de va-et-vient pour dégager toute accumulation de glace. Assurez-vous d'enlever toute la neige et toute la glace de la base de la goulotte.

- Dans des conditions froides et neigeuses, certaines commandes et certaines pièces mobiles peuvent geler. N'utilisez pas une force excessive lorsque vous essayez d'actionner des commandes gelées. Si vous avez de la difficulté à faire fonctionner des commandes ou des pièces, démarrez la machine comme l'indique la section intitulée « **DÉMARRAGE ET ARRÊT DE LA SOUFFLEUSE À NEIGE** » et laissez-la tourner pendant quelques minutes.

ENTRETIEN

⚠ AVERTISSEMENT : Pour éviter des blessures graves, retirez toujours les blocs-piles avant de procéder à l'entretien ou au nettoyage de la souffleuse à neige.

⚠ AVERTISSEMENT : Lors de l'entretien, utilisez seulement des pièces de rechange identiques aux pièces d'origine. L'utilisation de toute autre pièce peut endommager l'outil ou être source de danger. Pour en assurer la sûreté et la fiabilité, toute réparation doit être effectuée par un technicien qualifié.

AVIS : Inspectez périodiquement l'intégralité du produit pour y déceler des pièces endommagées, manquantes ou lâches telles que les vis, les écrous, les boulons, les capuchons, etc. Resserrez fermement toutes les fixations et tous les capuchons et ne faites pas fonctionner ce produit tant que toutes les pièces manquantes ou endommagées n'ont pas été remplacées.

ENTRETIEN GÉNÉRAL

Évitez d'utiliser des solvants lorsque vous nettoyez des pièces en plastique. La plupart des plastiques peuvent être endommagés par divers types de solvants commerciaux. Utilisez des linges propres pour enlever la saleté, la poussière, l'huile, la graisse, etc.

⚠ AVERTISSEMENT : Ne laissez jamais du liquide de frein, de l'essence, des produits à base de pétrole, etc., entrer en contact avec les pièces en plastique. Les produits chimiques peuvent endommager, affaiblir ou détruire le plastique et entraîner ainsi des risques de blessures graves.

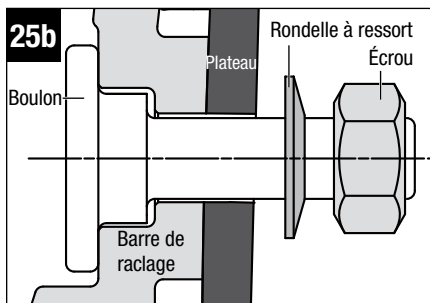
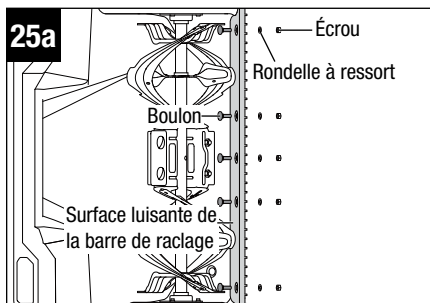
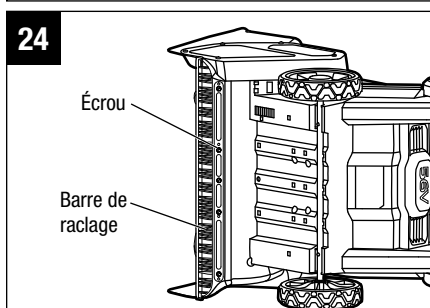
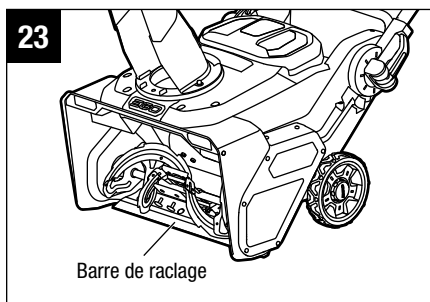
LUBRIFICATION DE LA MACHINE

Tous les roulements de ce produit sont lubrifiés au moyen d'un lubrifiant de première qualité et dans une quantité qui suffira pour la durée de vie de l'appareil, s'il est utilisé dans des conditions normales. Par conséquent, aucune autre lubrification des roulements n'est nécessaire.

REPLACEMENT DE LA BARRE DE RACLAGE

⚠ AVERTISSEMENT : Assurez-vous de fermer l'interrupteur à levier et de retirer les blocs-piles avant d'effectuer toute tâche d'entretien sur votre souffleuse à neige.

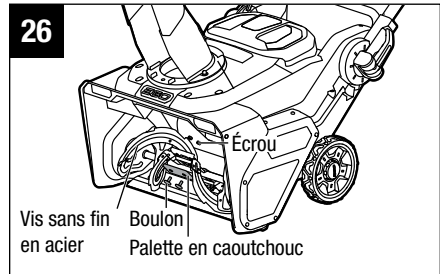
1. La barre de raclage est située au bas de la souffleuse à neige sous la vis sans fin (Fig. 23).
2. Couchez la souffleuse à neige sur le côté (Fig. 24).
3. Afin de réduire le risque de blessures, portez des gants. Utilisez une clé à douille (non comprise) pour retirer les 5 écrous (Fig. 24). Détachez la barre de raclage usée de la souffleuse à neige.
4. Fixez la nouvelle barre de raclage à la souffleuse à neige, la surface luisante vers l'intérieur du plateau. Insérez les 5 boulons dans les trous de montage, de la surface luisante intérieure de la barre de raclage vers l'extérieur (Fig. 25a).
5. Posez les rondelles à ressort et les écrous sur les boulons (depuis l'extérieur du plateau) et utilisez une clé à douille (non incluse) pour fixer solidement la barre de raclage au plateau (Fig. 25b).



REPLACEMENT DE LA PALETTE EN CAOUTCHOUC

⚠ AVERTISSEMENT : N'oubliez pas de fermer l'interrupteur à levier et de retirer le ou les blocs-piles avant d'effectuer une quelconque tâche de maintenance sur votre souffleuse à neige.

1. Portez des gants. Faites tourner à la main la vis sans fin en acier pour la mettre dans la position appropriée afin de faciliter le démontage de la palette en caoutchouc, comme illustré à la Fig. 26.
2. Utilisez un tournevis à tête plate (non inclus) pour desserrer complètement les deux boulons d'un côté, et retirez les deux boulons et les deux écrous pour retirer la palette en caoutchouc de la vis sans fin en acier.
3. Démontez l'autre palette en caoutchouc de l'autre côté de la même façon.
4. Remplacez-les par de nouvelles palettes en caoutchouc et serrez-les à fond.

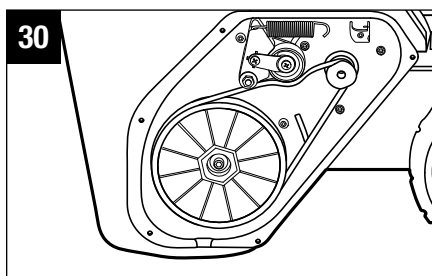
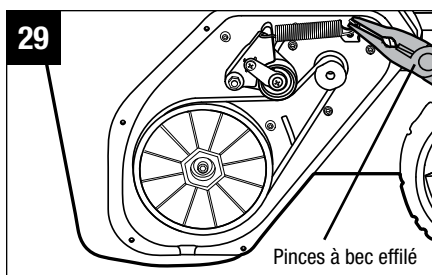
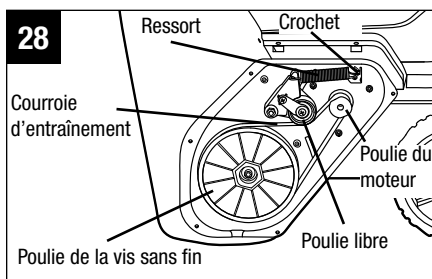
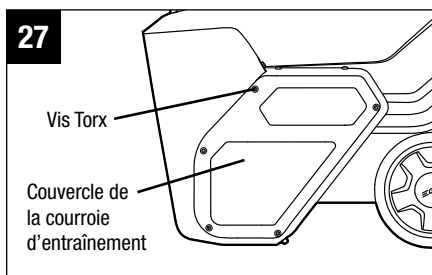


REPLACEMENT DE LA COURROIE D'ENTRAÎNEMENT

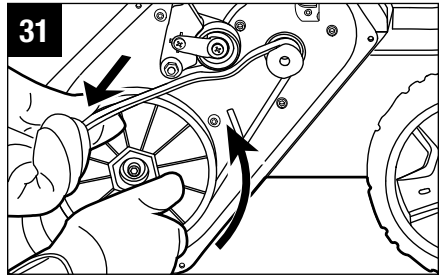
Si la courroie d'entraînement est excessivement usée, souillée par de l'huile, fissurée, effilochée ou autrement endommagée, remplacez-la.

⚠ AVERTISSEMENT : Assurez-vous de fermer l'interrupteur à levier et de retirer les blocs-piles avant d'effectuer toute tâche d'entretien sur votre souffleuse à neige.

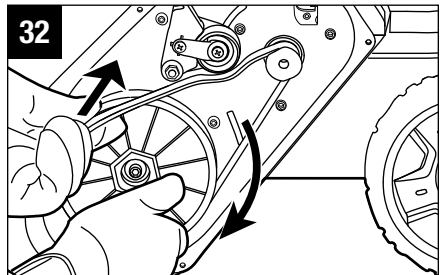
1. Utilisez un T20 tournevis Torx (non compris) pour retirer le couvercle de la courroie d'entraînement en retirant les 8 vis Torx, comme illustré à la Fig. 27.
2. Utilisez des pinces à bec effilé (non comprises) pour retirer le ressort du crochet afin de détendre la courroie (Fig. 29 et 30).



3. Retirez la courroie d'entraînement en tournant lentement la poulie de la vis sans fin dans le sens contraire des aiguilles d'une montre tout en tirant la courroie vers l'extérieur (Fig. 31).
4. Installez la courroie d'entraînement neuve en la faisant tourner sur les poulies (Fig. 32).



Conseils : Faites d'abord tourner la courroie d'entraînement neuve autour de la poulie du moteur, puis autour de la poulie libre et enfin autour de la poulie de la vis sans fin. Tournez lentement la poulie de la courroie d'entraînement de la vis sans fin dans le sens des aiguilles d'une montre vers l'intérieur (Fig. 28).



5. Utilisez des pinces à bec effilé pour installer le ressort sur le crochet de manière à retendre la courroie d'entraînement (Fig. 29).
6. Réinstallez le couvercle de la courroie d'entraînement en vous servant des 8 vis Torx retirées à l'étape 1 (Fig. 27).

RANGEMENT DE LA SOUFFLEUSE À NEIGE

⚠ ATTENTION : Assurez-vous que toute la neige qui pourrait fondre et couler de la souffleuse à neige est bien essuyée pour prévenir les risques de chutes et d'accidents.

- Retirez les blocs-piles et rangez-les dans un endroit sécuritaire, hors de portée des enfants.

REMARQUE : Quand elles ne sont pas utilisées, les piles de 56 V doivent être rangées dans un endroit fermé où la température ne descendra pas au-dessous de -20° C. Les températures de charge optimales sont entre 5° C et 40° C.

Avant de ranger l'appareil, essuyez toute humidité, toute saleté ou tout débris de la zone des blocs-piles.

- Essuyez la souffleuse à neige à l'aide d'un linge propre et sec.
- Vérifiez périodiquement tous les écrous, boulons, boutons, vis, etc. afin de vous assurer qu'ils sont serrés.
- Inspectez les pièces mobiles pour repérer les signes de dommages, de bris et d'usure. Faites réparer les pièces endommagées ou remplacez les pièces manquantes.
- Pliez les montants latéraux dans la position de rangement.
- Rangez la souffleuse à neige dans un endroit propre, sec et fermé, hors de la portée des enfants.
- Ne rangez pas l'appareil près de substances corrosives comme des fertilisants ou du sel gemme.

DÉPANNAGE

⚠ AVERTISSEMENT : Retirez toujours les blocs-piles avant de réparer ou de transporter la souffleuse à neige. Protégez toujours vos mains en portant des gants épais lorsque vous procédez à tout entretien de la vis sans fin ou de la barre de raclage de la souffleuse à neige.

PROBLÈME	CAUSE	SOLUTION
Les montants latéraux ne sont pas en position.	<ul style="list-style-type: none"> ■ Les boutons sur les montants latéraux ou les leviers de serrage de la poignée ne sont pas serrés. 	<ul style="list-style-type: none"> ■ Assurez-vous que les boutons sur les montants latéraux sont bien serrés et que les leviers de serrage de la poignée sont complètement fermés.
La souffleuse à neige ne démarre pas.	<ul style="list-style-type: none"> ■ La charge des blocs-piles est faible. ■ La vis sans fin en acier est gelée par la neige ou la glace. ■ La pile est surchauffée. Le voyant à DEL sur la pile clignote en orange ou brille en rouge. (Voir la section intitulée « PROTECTION DU BLOC-PILES CONTRE UNE SURCHAUFFE » dans ce mode d'emploi). ■ Le bouton de sécurité n'est pas enfoncé. 	<ul style="list-style-type: none"> ■ Rechargez les blocs-piles. ■ Retirez d'abord le ou les blocs-piles, puis utilisez un outil de nettoyage pour dégager la neige ou la glace qui cause l'obstruction de la vis sans fin. Remettez la souffleuse à neige en marche. ■ Retirez la pile en état de surchauffe de la souffleuse à neige et attendez que le bloc-piles ait suffisamment refroidi (jusqu'à environ 67° C), puis réinstallez la pile et remettez la souffleuse à neige en marche. ■ Appuyez sur le bouton de sécurité et, tout en maintenant le bouton enfoncé, tirez sur l'interrupteur à levier (vers le haut) pour entrer en contact avec la poignée.
Le moteur tourne, mais la vis sans fin ne tourne pas.	<ul style="list-style-type: none"> ■ La courroie d'entraînement est usée ou brisée. 	<ul style="list-style-type: none"> ■ Remplacez la courroie d'entraînement en suivant les instructions dans la section intitulée « REMPLACEMENT DE LA COURROIE D'ENTRAÎNEMENT » dans ce guide.

PROBLÈME	CAUSE	SOLUTION
Après le passage, la souffleuse à neige laisse une couche de neige au sol.	■ La barre de raclage est usée.	■ Remplacez la barre de raclage en suivant les instructions dans la section intitulée « REMPLACEMENT DE LA BARRE DE RACLAGE » dans ce guide.

ACCESSOIRES

⚠ AVERTISSEMENT : Les pièces suivantes sont sujettes à l'usure dans des conditions d'utilisation normale. Utilisez seulement les pièces de rechange identiques énumérées ci-dessous. L'utilisation de pièces qui ne respectent pas les caractéristiques de l'équipement d'origine peut entraîner un mauvais rendement et compromettre la sécurité de l'appareil.

NOM DE LA PIÈCE	NUMÉRO DE MODÈLE
Palette en caoutchouc	ARP2101
Barre de raclage	ASS2100
Courroie d'entraînement	AVB2306

GARANTIE

POLITIQUE D'EGO EN MATIÈRE DE GARANTIE

Garantie limitée de 5 ans sur les équipements d'alimentation électrique d'extérieur EGO POWER+ et les équipements d'alimentation électrique portable pour un usage personnel et domestique.

Garantie limitée de 3 ans sur les blocs-piles et chargeurs du système EGO POWER+ pour un usage personnel et domestique.

Garantie limitée de 2 ans/1 an sur les équipements d'alimentation électrique d'extérieur, les équipements d'alimentation électrique portables, les blocs-piles et les chargeurs EGO pour un usage professionnel et commercial.

La durée et les détails de la garantie de chaque produit sont indiqués en ligne à l'adresse <http://egopowerplus.com/pages/warranty-policy>.

Veillez communiquer avec le service à la clientèle d'EGO au 1 855 EGO-5656 (numéro sans frais) pour toute question sur les réclamations au titre de la garantie.

GARANTIE LIMITÉE

Les produits EGO sont garantis contre tout défaut de matériel ou de fabrication à compter de la date d'achat d'origine pour la période de garantie applicable. Les produits défectueux recevront une réparation gratuite.

- a) Cette garantie s'applique uniquement à l'acheteur initial s'étant procuré le produit chez un détaillant EGO autorisé et est non transférable. La liste des détaillants EGO autorisés est publiée en ligne sur le site <http://egopowerplus.com/pages/warranty-policy>.
- b) La période de garantie pour les produits remis en état ou certifiés par l'usine utilisés à des fins résidentielles est de 1 an, et de 90 jours lorsqu'ils sont utilisés à des fins industrielles, professionnelles ou commerciales.
- c) La période de garantie pour les pièces d'entretien régulier, y compris, sans s'y limiter, les lames, les têtes de taille-bordure, les guides-chaînes, les chaînes de scie, les courroies, les barres de raclage, les buses de souffleur, ainsi que tous les autres accessoires EGO, est de 90 jours lorsqu'elles sont utilisées à des fins résidentielles et de 30 jours lorsqu'elles sont utilisées à des fins industrielles, professionnelles ou commerciales. Ces pièces sont couvertes contre les défauts de fabrication pour une période de 90 jours ou de 30 jours si elles sont utilisées dans des conditions de travail normales.

- d) La présente garantie n'est pas valide si le produit a été utilisé aux fins de location.
- e) La présente garantie ne couvre pas les dommages résultant d'une modification, d'une altération ou d'une réparation non autorisée.
- f) Cette garantie couvre uniquement les défauts survenant dans des conditions normales d'utilisation et ne couvre aucun dysfonctionnement ou défaut ni aucune défaillance découlant d'un usage inapproprié ou abusif (notamment la surcharge du produit et son immersion dans l'eau ou dans tout autre liquide), d'un accident, d'une négligence, d'une installation inadéquate et de tout entretien ou entreposage inadéquat.
- g) La présente garantie ne couvre pas la détérioration normale du fini extérieur, notamment les rayures, les bosselures, les craquelures de la peinture ou toute corrosion ou décoloration résultant de la chaleur, de produits abrasifs ou de nettoyeurs chimiques.

RÉCLAMATION AU TITRE DE LA GARANTIE

Pour faire une réclamation au titre de la garantie, veuillez communiquer avec le service à la clientèle d'EGO au **1 855 EGO-5656** (numéro sans frais). Lorsque vous faites une réclamation au titre de la garantie, vous devez présenter le reçu de vente original. Un centre de service autorisé sera sélectionné pour la réparation du produit conformément aux conditions de garantie prescrites. Il se peut qu'un petit dépôt soit exigé lorsque vous laissez votre outil dans un centre de service autorisé. Ce dépôt est remboursable lorsque le service de réparation est considéré comme étant couvert par la garantie.

RESTRICTIONS SUPPLÉMENTAIRES

Dans la mesure permise par la loi en vigueur, toutes les garanties implicites, y compris les garanties de QUALITÉ MARCHANDE ou D'ADÉQUATION À UN USAGE PARTICULIER, sont exclues. Toute garantie implicite, y compris la garantie de qualité marchande ou d'adéquation à un usage particulier, qui ne peut être rejetée en vertu de la loi de l'État ou de la province est limitée à la période de garantie applicable définie au début de cet article.

Chervon North America n'est pas responsable des dommages accessoires, consécutifs, indirects ou directs.

Certaines provinces n'autorisent pas les restrictions de durée de garantie implicite, ou l'exclusion ou la restriction des dommages consécutifs et accessoires; c'est pourquoi les restrictions ci-dessus peuvent ne pas s'appliquer à votre cas.

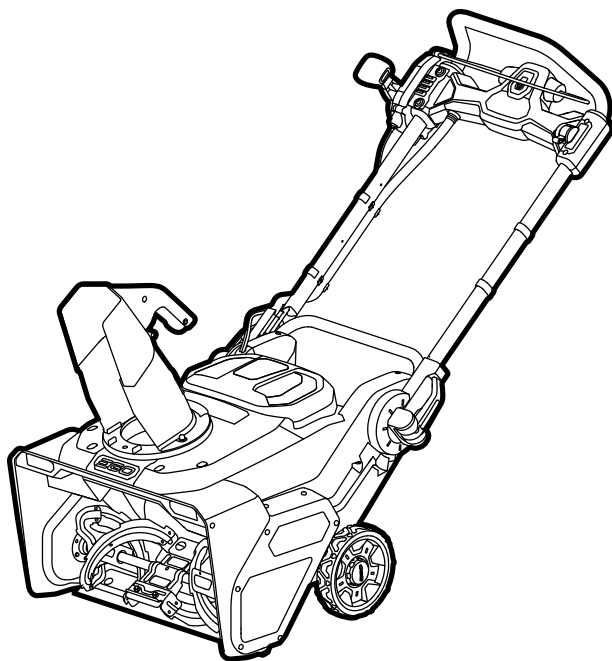
Cette garantie vous confère des droits précis. Il est possible que vous disposiez également d'autres droits, qui varient d'une province à l'autre.

Pour communiquer avec le service à la clientèle, veuillez composer le numéro sans frais suivant : **1 855 EGO-5656** ou consulter le site Web **EGOPOWERPLUS.COM**.

EGO Customer Service, 769 SEWARD AVE NW / Suite 102 Grand Rapids, MI 49504, États-Unis.

EGO™

POWER⁺ SNOW BLOWER



MANUAL DE FUNCIONAMIENTO

SOPLADOR DE NIEVE INALÁMBRICO CON BATERÍAS DE LITIO IÓN DE 56 VOLTIOS

MODELO NÚMERO SNT2110/SNT2110-FC

⚠ ADVERTENCIA: Para reducir el riesgo de lesiones, el usuario debe leer y comprender el Manual del usuario antes de usar este producto. Guarde estas instrucciones para referencia futura.

ÍNDICE

Símbolos de seguridad	76
Instrucciones de seguridad	77-78
Procedimientos para el uso seguro del soplador de nieve manual . . .	78-82
Introducción	83
Especificaciones	83
Descripción	84-85
Ensamblaje	86-89
Funcionamiento	90-99
Mantenimiento	100-105
Solución de problemas	106-107
Accesorios	107
Garantía	108-110

LEA TODAS LAS INSTRUCCIONES



**LEA Y COMPRENDA
EL MANUAL DEL OPERADOR**

⚠ ADVERTENCIA: parte del polvo que se crea al usar herramientas eléctricas contiene sustancias químicas que el estado de California ha identificado como causantes de cáncer y defectos congénitos u otros daños en el aparato reproductivo. Algunos ejemplos de estos químicos son:

- Plomo de pinturas a base de plomo.
- Sílice cristalina de ladrillos, cemento y otros productos de mampostería.
- Arsénico y cromo de maderas tratadas químicamente.

El riesgo por estas exposiciones varía según la frecuencia con la que realice este tipo de trabajo. Medidas para reducir la exposición a estos químicos: trabaje en un área bien ventilada y con el equipo de seguridad aprobado, como mascarillas antipolvo especialmente diseñadas para filtrar partículas microscópicas.

SÍMBOLOS DE SEGURIDAD

Estos símbolos de seguridad se utilizan para advertirle sobre los posibles peligros. Los símbolos de seguridad y las explicaciones que los acompañan merecen cuidadosa atención y comprensión. Por sí solos, los símbolos de advertencia no eliminan los peligros. Las instrucciones y advertencias que proporcionan no reemplazan a las medidas adecuadas de prevención de accidentes.

⚠ ADVERTENCIA: antes de utilizar esta herramienta, asegúrese de leer y comprender todas las instrucciones de seguridad en este Manual del usuario, incluidos todos los símbolos de alerta de seguridad como “**PELIGRO**”, “**ADVERTENCIA**” y “**PRECAUCIÓN**”. Si no se siguen todas las instrucciones que se indican a continuación, se pueden producir descargas eléctricas, incendios o lesiones personales graves.

SIGNIFICADO DEL SÍMBOLO

⚠ SÍMBOLO DE ADVERTENCIA DE SEGURIDAD: indica **PELIGRO**, **ADVERTENCIA** o **PRECAUCIÓN**. Puede usarse junto con otros símbolos o pictogramas.




⚠ ADVERTENCIA: el funcionamiento de cualquier herramienta eléctrica puede causar que se disparen objetos extraños hacia sus ojos, lo que puede resultar en daños graves en los ojos. Antes de comenzar a operar una herramienta eléctrica, use siempre gafas protectoras o anteojos de seguridad con protección lateral y un protector facial si es necesario. Le recomendamos usar una máscara de seguridad de visión amplia sobre anteojos o anteojos de seguridad estándar con protección lateral. Use siempre protección ocular con la marca de cumplimiento de la norma ANSI Z87.1.

INSTRUCCIONES DE SEGURIDAD

Esta página presenta y describe los símbolos de seguridad que pueden aparecer en este producto. Lea, comprenda y siga todas las instrucciones que figuran en la máquina antes de intentar ensamblarla y operarla.

	Alerta de seguridad	Indica que existe el riesgo de que se produzcan lesiones personales.
	Protección ocular	Use siempre gafas protectoras o anteojos de seguridad con protección lateral y un protector facial al operar este producto.
	Lea y comprenda el manual del operador	Para reducir el riesgo de lesiones, el usuario debe leer y comprender el Manual del usuario antes de usar este producto.
	PELIGRO: mantenga las manos alejadas del impulsor	No use las manos para eliminar obstrucciones del conducto.
	Mantenga los pies alejados del impulsor	Mantenga los pies alejados del impulsor.
	Símbolos de reciclaje	Este producto usa baterías de iones de litio (litio-ión). Las leyes locales, estatales o federales pueden prohibir que las baterías se desechen junto con la basura normal. Consulte con la autoridad de residuos local para obtener información acerca de las opciones de reciclaje o de desecho disponibles.
IPX4	Nivel de Protección del Ingreso	Protección contra salpicaduras de agua
V	Voltio	Voltaje

	Corriente continua	Tipo o característica de la corriente
cm	Centímetro	Largo o tamaño
in.	Pulgadas	Largo o tamaño
Ft.	pies	Largo o tamaño
kg	Kilogramos	Peso
lb	Libras	Peso

⚠ ADVERTENCIA: para garantizar la seguridad y fiabilidad, todas las reparaciones las debe realizar un técnico calificado.

PROCEDIMIENTOS PARA EL USO SEGURO DEL SOPLADOR DE NIEVE MANUAL

⚠ PELIGRO: este soplador de nieve puede amputar extremidades y arrojar objetos. El incumplimiento de las siguientes instrucciones de seguridad podría provocar lesiones graves.

RECOMENDACIONES PARA EL USO DE CUALQUIER SOPLADOR DE NIEVE

- No utilice la herramienta en superficies con gravilla.
- Mantenga a los niños alejados: todas las visitas deben mantenerse a una distancia segura del área de trabajo.
- Use ropa adecuada: no use ropa holgada ni joyas. Pueden quedar atrapadas en las piezas móviles.
- Use botas de goma cuando utilice el soplador de nieve.
- Mantenga las manos alejadas de las piezas móviles.
- Mantenga los topes en su lugar y en buenas condiciones de funcionamiento.
- No fuerce el soplador de nieve: este realizará un trabajo más seguro y de mejor calidad si se usa al ritmo para el que fue diseñado.

- No se extienda demasiado: mantenga una posición y un equilibrio adecuados en todo momento.
- Si el soplador de nieve golpea un objeto extraño, siga estos pasos:
 - 1) Apague el soplador de nieve. Suelte el interruptor.
 - 2) Retire el paquete de baterías.
 - 3) Revise la herramienta para verificar que no esté dañada.
 - 4) Repare los daños antes de volver a encender y usar el soplador de nieve.
- Almacene el soplador de nieve en un lugar cerrado: cuando no esté en uso, debe almacenar el soplador de nieve en un espacio interior, seco y cerrado, fuera del alcance de los niños.
- Lleve a cabo el correcto mantenimiento del soplador de nieve: siga las instrucciones para lubricar y reemplazar los accesorios.

CAPACITACIÓN

- Lea, comprenda y siga todas las instrucciones que figuran en la máquina y el manual antes de usar la unidad. Familiarícese por completo con los controles y el uso adecuado de este equipo. Sepa cómo detener la unidad y desactivar los controles rápidamente.
- Nunca permita que los niños utilicen el equipo. Nunca permita que adultos usen el equipo sin la instrucción apropiada.
- Mantenga a las personas, especialmente a los niños pequeños, alejadas del área de operación.
- Tenga cuidado y evite resbalarse o caerse, especialmente cuando use el soplador de nieve en reversa.

PREPARACIÓN

- Inspeccione minuciosamente el área donde se utilizará la herramienta y retire los tapetes de entrada, los trineos, las tablas, los cables y cualquier otro objeto extraño que encuentre.
- No use la herramienta si no tiene las prendas de invierno adecuadas. Evite usar ropa holgada, ya que puede quedar atrapada en las piezas móviles. Use un calzado que mejore el apoyo en superficies resbaladizas.
- No intente hacer ningún ajuste mientras el motor esté en funcionamiento (excepto en los casos en los que el fabricante lo recomiende específicamente).

- Cuando use el soplador de nieve o le realice ajustes o reparaciones, use gafas de seguridad o protección ocular para proteger los ojos de objetos extraños que pueden salir despedidos.

FUNCIONAMIENTO

- Prevenga los arranques accidentales. Asegúrese de que el interruptor esté en la posición de apagado antes de conectar el electrodoméstico al paquete de batería, levantarlo o transportarlo. Si se transporta el electrodoméstico con el dedo en el interruptor o si suministra corriente a un electrodoméstico que tenga el interruptor en la posición de encendido se invita a que se produzcan accidentes.
- No ponga las manos ni los pies cerca o debajo de piezas rotatorias. Manténgase alejado de la abertura de descarga en todo momento.
- Tenga mucho cuidado cuando use la herramienta en entradas, aceras o carreteras con gravilla o cuando tenga que cruzar por ellas. Esté alerta a peligros ocultos o el tráfico.
- Si golpea un objeto extraño, apague el motor, retire el paquete de baterías, inspeccione minuciosamente el soplador de nieve para verificar que no esté dañado y repare los daños que puedan haberse producido antes de volver a encender y usar el soplador de nieve.
- Si la unidad comienza a vibrar de manera anormal, detenga el motor y busque la causa de inmediato. Por lo general, la vibración advierte un problema.
- Detenga el motor cuando no esté operando la herramienta, antes de eliminar obstrucciones de la carcasa del ensamble de barrena o el conducto de descarga y cuando lleve a cabo reparaciones, ajustes o inspecciones.
- Si tiene que eliminar obstrucciones del soplador de nieve, repararlo o inspeccionarlo, apague el motor y verifique que el ensamble de barrena y todas las piezas móviles se hayan detenido. Retire el paquete de baterías para evitar que alguien encienda el motor accidentalmente.
- Tenga mucho cuidado cuando use la herramienta en pendientes.
- No use el soplador de nieve a menos que este cuente con las protecciones y los dispositivos de seguridad adecuados y de que estos estén en su lugar y funcionen correctamente.
- No dirija el conducto de descarga hacia áreas donde haya personas u objetos que puedan sufrir daños. Mantenga alejados a los niños y a otras personas.
- No intente quitar nieve a un ritmo superior al recomendado, ya que puede sobrecargar la capacidad de la herramienta.

- Desactive la alimentación al ensamble de barrena cuando deba transportar el soplador de nieve o cuando no esté en uso.
- Use aditamentos y accesorios aprobados por el fabricante del soplador de nieve (como paletas de goma, barras raspadoras y correas de transmisión).
- No use el soplador de nieve si no hay buena visibilidad o iluminación. Asegúrese de contar con una buena superficie de apoyo y sostenga la manija con firmeza. Camine; no corra.
- No exponga el paquete de baterías ni el electrodoméstico al fuego o a una temperatura excesiva. La exposición al fuego o a temperaturas por encima de los 100 °C (212°F) podría causar una explosión.
- Use solamente los paquetes de baterías y los cargadores que se indican a continuación:

PAQUETES DE BATERÍAS	CARGADOR
BA1120, BA1120-FC, BA1400, BA1400-FC, BA2240, BA2240-FC, BA2800, BA2800-FC, BA4200, BA4200-FC, BA1400T, BA1400T-FC, BA2800T, BA2800T-FC, BA4200T, BA4200T-FC, BA5600T, BA5600T-FC	CH2100, CH2100-FC, CH5500, CH5500-FC

AVISO: para obtener un mejor rendimiento, recomendamos usar 2 baterías de 5,0 Ah o de una mayor capacidad.

CÓMO ELIMINAR OBSTRUCCIONES DEL CONDUCTO DE DESCARGA

Cuando se usan sopladores de nieve, la lesión más frecuente se produce cuando las manos entran en contacto con el ensamble de barrena que está dentro del conducto de descarga. No use las manos para limpiar el conducto de descarga.

Para eliminar obstrucciones del conducto, haga lo siguiente:

- **¡APAGUE EL MOTOR!**
- Espere 10 segundos para asegurarse de que las cuchillas del ensamble de barrena hayan dejado de girar.
- Use un accesorio de limpieza en lugar de las manos.

MANTENIMIENTO Y ALMACENAJE

- Revise los pernos y sujetadores de forma periódica para asegurarse de que el equipo se encuentre en buenas condiciones de funcionamiento.
- Si debe almacenar el soplador de nieve durante un período prolongado, consulte el manual del operador para conocer detalles importantes.
- Conserve o reemplace las etiquetas de seguridad o de instrucciones según sea necesario.
- Después de usar la herramienta, déjela encendida durante algunos minutos para evitar que el ensamble de barrena se congele.

GUARDE ESTAS INSTRUCCIONES. Consúltelas periódicamente y utilícelas para instruir a otras personas que puedan utilizar esta herramienta. Si presta la herramienta a alguien más, préstele también estas instrucciones para prevenir el mal uso del producto y posibles lesiones.

INTRODUCCIÓN

Felicitaciones por la compra de su soplador de nieve de nueva generación con baterías de litio ion de 56 voltios. Ha sido concebido, diseñado y fabricado para brindarle una confiabilidad y un rendimiento máximos.

Si experimenta algún problema que no puede solucionar fácilmente, llame al 1-855-EGO-5656 para ponerse en contacto con el Centro de Servicio al Cliente de EGO.

Este manual contiene información importante para ensamblar, usar y efectuar el mantenimiento del soplador de nieve de forma segura. Léalo atentamente antes de usar la herramienta. Téngalo a mano para poder consultarlo cuando sea necesario.

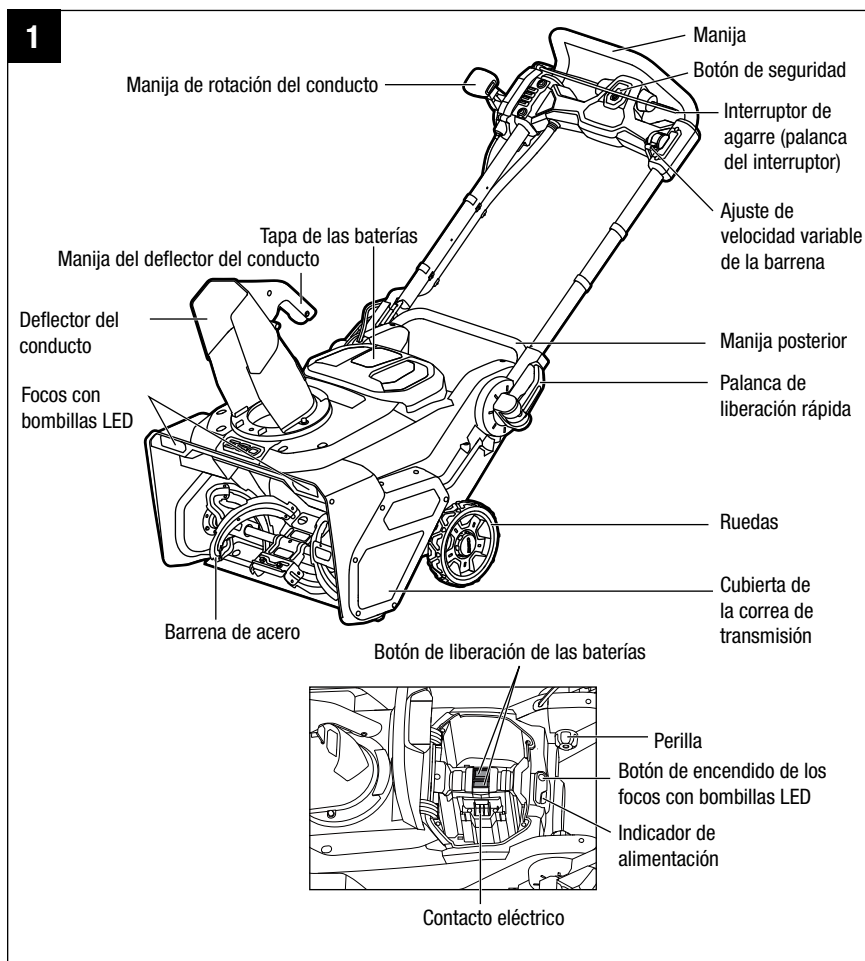
NÚMERO DE SERIE _____ FECHA DE COMPRA _____
LOS NÚMEROS DE MODELO Y DE SERIE SE ENCUENTRAN EN UNA ETIQUETA UBICADA EN LA CARCASA DEL ENSAMBLE DE BARRENA.

ANOTE EL NÚMERO DE SERIE Y LA FECHA DE COMPRA Y GUARDE ESTOS DATOS EN UN LUGAR SEGURO PARA CONSULTARLOS EN CASO DE QUE SEA NECESARIO. CONSERVE EL RECIBO DE VENTA.

ESPECIFICACIONES

Voltaje	56 V CC
Ancho de eliminación	53,34 cm
Altura de entrada	33,02 cm
Distancia de soplado	Hasta 10,66 m
Tamaño de las ruedas	17,78 cm
Temperatura de funcionamiento	-20°C-10°C(-4°F-50°F)
Temperatura de almacenamiento	-20°C-70°C(-4°F-158°F)
Peso del soplador de nieve (sin el paquete de baterías)	53 lbs(24.05 kg)

DESCRIPCIÓN



⚠ ADVERTENCIA: el uso seguro de este producto requiere de la comprensión de la información en la herramienta y en el manual del operador, además del conocimiento sobre el proyecto que intenta llevar a cabo. Antes de usar este producto, familiarícese con todas las características de operación y normas de seguridad.

Botón de seguridad

Para que el motor se encienda, es necesario presionar el botón de seguridad.

Interruptor de agarre

El interruptor de agarre se ubica en la manija superior del soplador de nieve. Permite encender y apagar el motor y la barrena.

⚠ ADVERTENCIA: el interruptor de agarre y el botón de seguridad son dispositivos de seguridad. No intente evitar su activación.

Freno eléctrico

Permite detener la rotación de la barrena cuando se suelta el interruptor de agarre.

Palanca de liberación rápida

Permite bloquear y desbloquear los carriles laterales para colocar la máquina en posición de trabajo o almacenaje.

Ajuste de velocidad variable de la barrena

Permite modificar la velocidad de la barrena para ajustar la distancia de soplado.

Manija de rotación del conducto

Permite girar el conducto para que el usuario elija la dirección de la descarga de nieve. La manija permite girar el conducto 90° hacia la izquierda o la derecha.

Manija del deflector del conducto

Permite ajustar el ángulo del conducto y la altura del chorro de descarga.

Focos con bombillas LED

Los focos con bombillas LED se encuentran en la parte delantera de la unidad. Ofrecen una fuente de luz para mejorar la visibilidad.

ENSAMBLAJE

⚠ ADVERTENCIA: para evitar un arranque accidental, que podría causar graves lesiones personales, retire el paquete de baterías de la herramienta cuando esté ensamblando las piezas.

⚠ ADVERTENCIA: si hay piezas dañadas o faltantes, no utilice el producto hasta que las haya reemplazado. El uso de este producto con piezas dañadas o faltantes podría causar lesiones personales graves.

⚠ ADVERTENCIA: no intente modificar la herramienta ni crear accesorios que no estén recomendados para su uso con este producto. Cualquier alteración o modificación se considera un uso indebido y puede causar una condición peligrosa que a su vez puede provocar lesiones graves.

DESEMBALAJE

- Tome la manija posterior y la parte delantera del producto de forma simultánea y levante la herramienta cuidadosamente para retirarla de la caja. Retire los accesorios que haya en la caja. Asegúrese de que estén incluidos todos los artículos que aparecen en la lista de empaque.

⚠ ADVERTENCIA: si, luego de desembalar el producto, nota que este ya tiene algunas piezas de la lista de empaque ensambladas, no lo use. El fabricante no vende el producto con las piezas de la lista ensambladas; el cliente debe ensamblarlas. Si se usa un producto con piezas ensambladas incorrectamente, pueden producirse lesiones personales graves.

- Inspeccione cuidadosamente el producto para asegurarse de que no se produjo ninguna ruptura o daño durante el envío.
- No deseche el material de embalaje hasta que haya inspeccionado cuidadosamente y utilizado satisfactoriamente la herramienta.
- Si hay piezas faltantes o dañadas, devuelva este producto al lugar donde lo compró.

LISTA DE PIEZAS

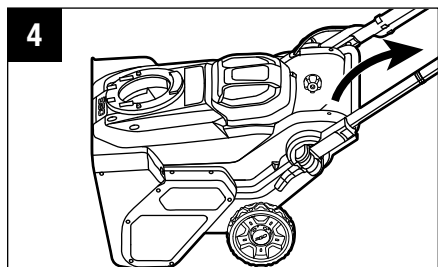
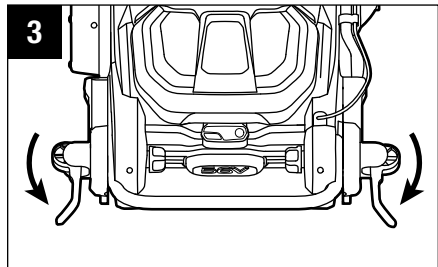
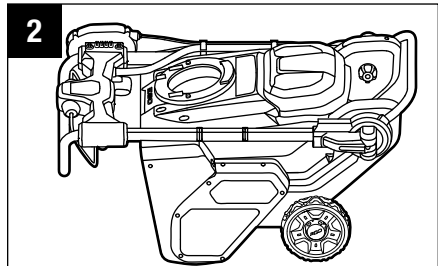
NOMBRE DE LA PIEZA	CANTIDAD
Soplador de nieve	1
Conducto de descarga	1
Manual del operador	1
Llave hexagonal	1

CÓMO PLEGAR Y DESPLEGAR LOS CARRILES LATERALES

⚠ ADVERTENCIA: no intente encender el soplador de nieve cuando los carriles laterales estén plegados hacia abajo.

Para desplegar los carriles laterales:

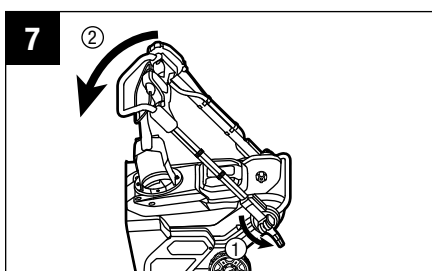
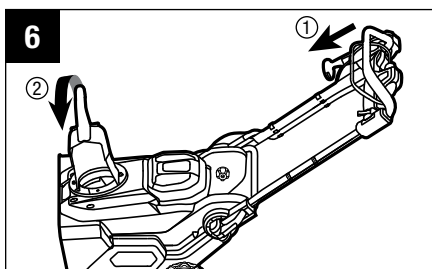
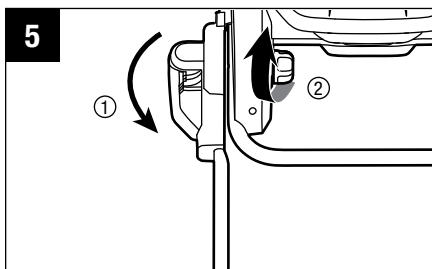
1. El soplador de nieve se envía con los carriles laterales bloqueados y en posición compacta (Fig. 2).
2. Abra las palancas de liberación rápida que se encuentran a ambos lados de la herramienta y levante suavemente los carriles laterales hasta que hagan tope (Fig. 3 y 4).



3. Cierre las palancas de liberación rápida y apriete las perillas para fijar los carriles laterales en su lugar (Fig. 5).

Para plegar los carriles laterales:

1. Colóquese detrás del soplador de nieve y empuje la manija de rotación del conducto hacia abajo para que el conducto quede mirando a la izquierda. Apriete el gatillo de la manija del deflector del conducto para inclinarlo totalmente hacia abajo (Fig. 6).
2. Abra las palancas de liberación rápida que se encuentran a ambos lados de la herramienta para plegar los carriles laterales y colocarlos en posición de almacenaje (Fig. 7).

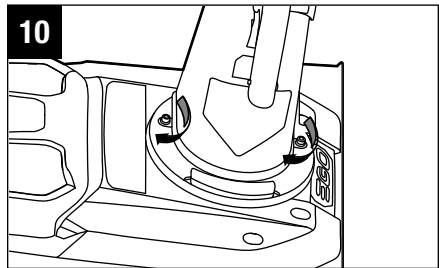
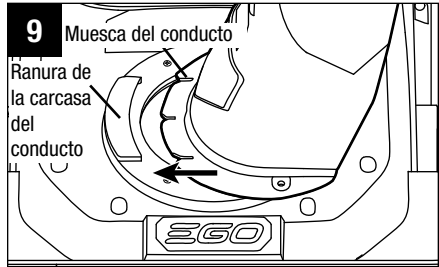
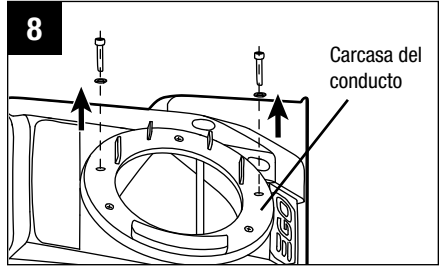


INSTALACIÓN DEL CONDUCTO

1. Con la llave hexagonal que se suministra, afloje los dos pernos de la carcasa del conducto y quítelos (Fig. 8).
2. Alinee las muescas del conducto con la ranura de la carcasa del conducto y empújelo para que encaje en su lugar (Fig. 9).
3. Con la llave hexagonal que se suministra, trabe el conducto en su lugar con los dos pernos (Fig. 10).

⚠ ADVERTENCIA: use la manija de rotación del conducto que se encuentra en la posición del operador para asegurarse de que el conducto gire correctamente y de que la abertura de descarga no esté en dirección a los controles del operador.

⚠ ADVERTENCIA: no use el soplador de nieve a menos que el conducto de descarga esté completo y en su lugar.



FUNCIONAMIENTO

⚠ ADVERTENCIA: no permita que la familiaridad con este producto lo vuelva descuidado. Recuerde que un descuido de una fracción de segundo es suficiente para provocar lesiones graves.

⚠ ADVERTENCIA: siempre use lentes de protección lateral que cumplan con la norma ANSI Z87.1. De lo contrario, los objetos que salgan despedidos pueden ingresar a los ojos y causar otras lesiones graves.

⚠ ADVERTENCIA: no utilice ningún acoplamiento o accesorio que no sea recomendado por el fabricante de este producto. El uso de acoplamientos o accesorios no recomendados puede producir lesiones personales graves.

APLICACIÓN

Puede usar este producto para los fines que se indican a continuación:

Quitar nieve de áreas como entradas de garajes y aceras.

CÓMO INSERTAR Y RETIRAR EL PAQUETE DE BATERÍAS

CARGUE EL PAQUETE DE BATERÍAS ANTES DEL PRIMER USO.

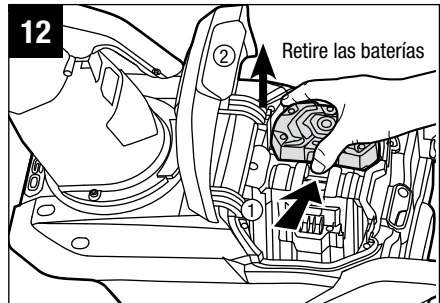
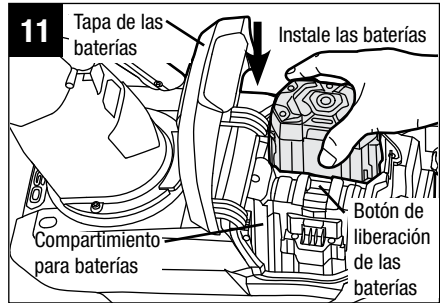
NOTA: para obtener un mejor rendimiento, recomendamos usar dos baterías EGO de litio y 56 V (5,0 Ah) con calorímetro de aceleración de ritmo (ARC, por sus siglas en inglés) o dos baterías EGO de litio y 56 V con ARC y una mayor capacidad.

Cuando la unidad no se esté utilizando, los paquetes de batería de 56 V se deberán almacenar en un área cerrada donde la temperatura no descienda por debajo de -4 °F (-20 °C). Las temperaturas de carga óptimas son entre 41 °F (5 °C) y 104 °F (40 °C).

⚠ ADVERTENCIA: si hay piezas dañadas o faltantes, no intente insertar el paquete de baterías en el soplador de nieve ni hacer funcionar la herramienta hasta que haya reemplazado dichas piezas. No hacerlo podría provocar lesiones graves.

1. La tapa de las baterías tiene bisagras. Levante la parte delantera de la tapa para abrirla.
2. El soplador de nieve cuenta con dos compartimientos para baterías que permiten colocar dos paquetes de baterías al mismo tiempo.

3. Alinee las ranuras del paquete de baterías con las varillas elevadas de uno de los compartimientos para baterías e inserte el paquete de baterías en el compartimiento (Fig. 11).
4. Presione el paquete de baterías hasta que escuche un “clic”. Si el paquete de baterías está insertado correctamente, el botón de liberación de la batería se elevará.
5. Siga el mismo procedimiento para insertar el otro paquete de baterías en el segundo compartimiento para baterías.
6. Para retirar el paquete de baterías, oprima el botón de liberación de las baterías y tire el paquete de baterías hacia arriba (Fig. 12).
7. Cierre la tapa de las baterías.



AVISO: asegúrese de que el pestillo del soplador de nieve encaje en su lugar y de que los paquetes de baterías estén fijos en la unidad antes de comenzar a usar la herramienta.

CÓMO ENCENDER Y APAGAR EL SOPLADOR DE NIEVE

⚠ PRECAUCIÓN: no intente anular el funcionamiento del botón de seguridad y el interruptor de agarre.

⚠ ADVERTENCIA: el soplador de nieve puede arrojar objetos extraños a los ojos y causar daños oculares graves. Use gafas de seguridad cuando utilice el soplador de nieve o cuando le realice ajustes o reparaciones.

⚠ ADVERTENCIA: cuando use el soplador de nieve, asegúrese de que las personas y mascotas se encuentren a 30 m (100 pies) de distancia como mínimo.

⚠ ADVERTENCIA: la barrena sigue girando por unos segundos una vez que se apaga el motor. Deje que la barrena deje de girar antes de encender el motor otra vez.

AVISO: no encienda y apague rápidamente el soplador de nieve.

Cómo encender el soplador de nieve

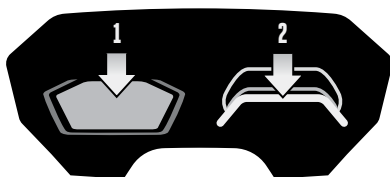
1. Asegúrese de que los carriles laterales estén bloqueados en la posición abierta y desplegada.
2. Inserte los paquetes de baterías en el soplador de nieve y cierre la tapa de las baterías.

AVISO: asegúrese de que el pestillo del soplador de nieve encaje en su lugar y de que los paquetes de baterías estén fijos en la unidad antes de comenzar a usar la herramienta.

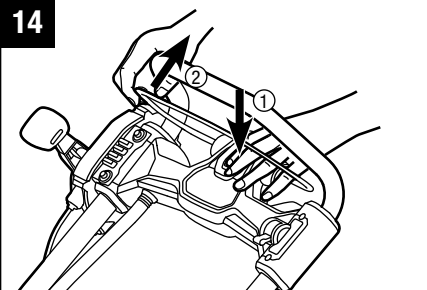
3. Mantenga presionado el botón de seguridad y tire el interruptor de agarre hacia arriba hasta que toque la manija (Fig.13 y 14).
4. Una vez que el motor se encienda, suelte el botón de seguridad y comience a usar la herramienta (Fig. 15).

AVISO: para encender la herramienta, primero debe presionar el botón de seguridad y luego tirar del interruptor de agarre; si invierte el orden de los pasos, la herramienta no se encenderá.

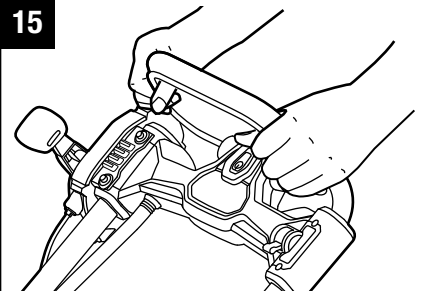
13



14



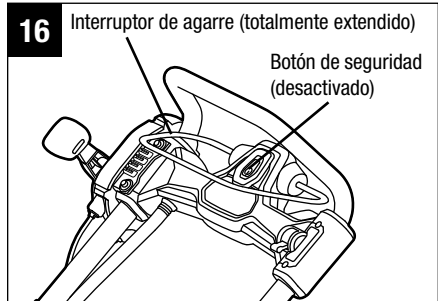
15



AVISO: es posible que la herramienta no se encienda correctamente si la temperatura de las baterías es de $-20\text{ }^{\circ}\text{C}$ ($-4\text{ }^{\circ}\text{F}$) o menos. Si el soplador de nieve no se enciende, retire las baterías y déjelas en un lugar cerrado durante 10 minutos o más para que adquieran más temperatura. Vuelva a instalar las baterías e intente encender la herramienta otra vez.

Cómo apagar el soplador de nieve

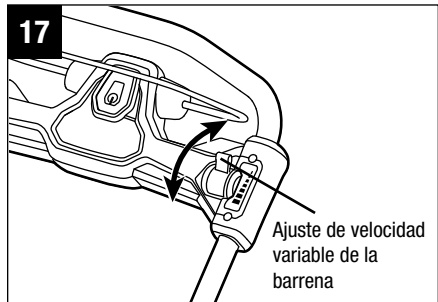
1. Extienda totalmente el interruptor de agarre (Fig. 16).
2. El freno eléctrico del mecanismo de freno automático detendrá la rotación de la barrena dentro de los 3 segundos.



Sistema de velocidad variable de la barrena (Fig. 17)

La velocidad de la barrena puede ajustarse para controlar la distancia de soplado.

1. Para aumentar la velocidad, mueva hacia delante el ajuste de velocidad variable de la barrena.
2. Para reducir la velocidad, mueva hacia atrás el ajuste de velocidad variable de la barrena.



CÓMO AJUSTAR EL CONDUCTO

Puede ajustar el conducto para cambiar la dirección y la distancia de soplado de nieve y para quitar más fácilmente la nieve de un área con el fin de moverla hacia otra.

La dirección de soplado de nieve puede ajustarse hasta los 180° (Fig. 18).

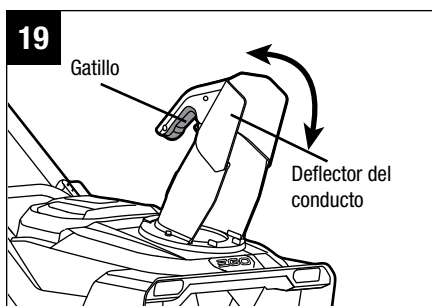
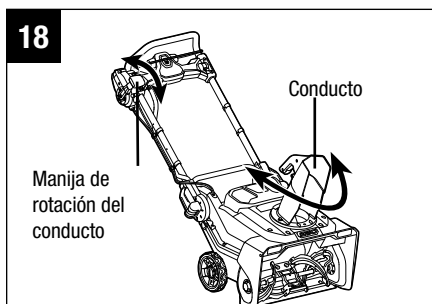
1. Empuje la manija de rotación del conducto hacia delante para girar el conducto hacia la izquierda.
2. Tire la manija de rotación del conducto hacia atrás para girar el conducto hacia la derecha.

Para ajustar la distancia de soplado de la herramienta, mueva el deflector del conducto hacia arriba o hacia abajo (Fig. 19). Extienda el interruptor de agarre antes de ajustar el deflector del conducto.

1. Para aumentar la distancia a la que se arroja la nieve, apriete el gatillo en la manija del deflector del conducto y luego eleve el deflector del conducto. Suelte el gatillo en la manija del deflector del conductor para bloquear el deflector del conducto en su lugar (Fig.19).
2. Para disminuir la distancia a la que se arroja la nieve, simplemente baje el deflector con la manija del deflector del conducto.

⚠ ADVERTENCIA: no fuerce el conducto hacia delante, ya que puede formarse un espacio entre el deflector y el conducto en sí. La nieve u otros materiales pueden salir despedidos por este espacio y provocar lesiones graves al operador.

⚠ ADVERTENCIA: no ajuste el deflector del conducto si el interruptor de agarre está acoplado. Extienda el interruptor de agarre antes de ajustar el deflector del conducto.



CÓMO ELIMINAR OBSTRUCCIONES DEL CONDUCTO

⚠ ADVERTENCIA: cuando se usan sopladores de nieve, la lesión más frecuente se produce cuando las manos entran en contacto con la barrena giratoria que está dentro del conducto. No use las manos para limpiar el conducto.

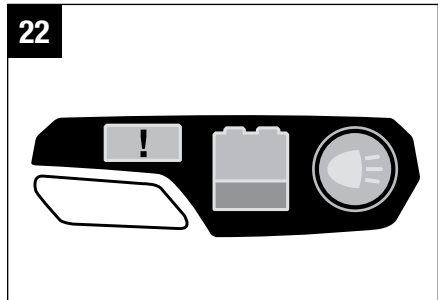
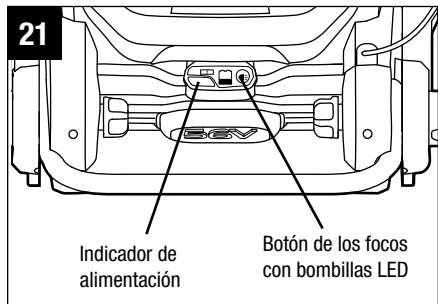
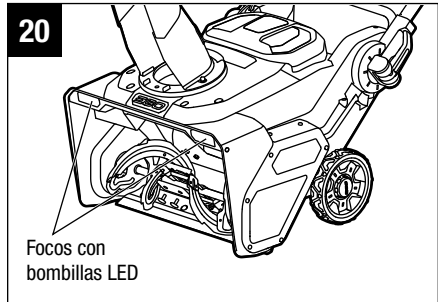
Para eliminar obstrucciones del conducto, haga lo siguiente:

1. ¡Apague el motor y la barrena!
2. Retire el paquete de baterías del soplador.
3. Espere 10 segundos para asegurarse de que la barrena haya dejado de girar.
4. Use un accesorio de limpieza como una varilla de madera u otra herramienta comercial; no use las manos.

FOCOS CON BOMBILLAS LED (Fig. 20)

Los focos con bombillas LED se encuentran en la parte delantera del soplador de nieve.

1. Para encenderlos, presione el botón LED (Fig. 21 y 22). Los focos iluminan el área que se encuentra delante del soplador de nieve.
2. Para apagarlos, presione el botón LED otra vez.



INDICADOR DE ALIMENTACIÓN DEL SOPLADOR DE NIEVE (Fig. 21 y 22)

El soplador de nieve cuenta con un indicador de alimentación que muestra el nivel de carga del paquete de baterías y el estado de funcionamiento de la herramienta. El indicador de alimentación se ilumina cuando la barrena está girando o cuando los focos con bombillas LED están encendidos.

- La luz verde indica que el paquete de baterías tiene menos del 15% de su capacidad de carga.
- La luz roja indica que el nivel de carga del paquete de baterías es bajo.
- La luz roja intermitente indica que la carga del paquete de baterías está casi agotada y que debe cargar las baterías de inmediato.

INDICADOR DE ALIMENTACIÓN	SIGNIFICADO	ACCIÓN
Luz verde brillante	El soplador de nieve funciona correctamente; cada batería tiene un 15% de carga como mínimo.	n/d
Luz roja brillante	El nivel de carga del paquete de baterías es bajo.	Apague el soplador de nieve y cargue el paquete de baterías.
Luz roja intermitente	La carga del paquete de baterías está casi agotada.	Apague el soplador de nieve y cargue el paquete de baterías.
Luz anaranjada brillante	Se sobrecalentó el soplador de nieve o un paquete de baterías.	Apague el soplador de nieve y espere hasta que la máquina o el paquete de baterías se enfrien.
Luz anaranjada intermitente	El soplador de nieve se ha sobrecargado.	Retire el paquete de baterías, revise la herramienta y límpiela en caso de que se haya acumulado nieve debajo de la plataforma o en la barrena. Disminuya el ritmo o el ancho de soplado cuando use la máquina.

PROTECCIÓN CONTRA SOBRECARGA DEL SOPLADOR DE NIEVE

Para prevenir sobrecargas, no intente quitar demasiada nieve de una vez. Disminuya el ritmo o el ancho de soplado.

La sopladora de nieve tiene sensores de sobrecarga integrados. Si la máquina se sobrecarga, el motor reducirá la velocidad de forma automática y usted lo escuchará. Si sucede esto, disminuya el ritmo o el ancho de soplado; pasado cierto tiempo, el motor volverá a trabajar a la velocidad normal. Si esto no soluciona el problema, el sensor apagará el motor de manera automática y el indicador de alimentación emitirá una luz anaranjada intermitente. Retire el paquete de baterías del soplador. Verifique que no haya nieve ni hielo acumulados en la barrena y la plataforma y, si es necesario, use un accesorio de limpieza para eliminar las obstrucciones. Vuelva a instalar las baterías y encienda el soplador de nieve.

PROTECCIÓN CONTRA TEMPERATURAS ALTAS DE LAS BATERÍAS

Si la temperatura de las baterías supera los 70 °C (158 °F) mientras está usando la herramienta, el circuito de protección térmica apagará el soplador de nieve de inmediato para que las baterías no sufran daños por sobrecalentamiento. El indicador de alimentación ubicado en el soplador de nieve se encenderá en naranja y la luz LED ubicada en la batería parpadeará en naranja o se encenderá en rojo.

AVISO: Las luces LED ubicadas en los siguientes paquetes de batería parpadearán en naranja en caso de sobrecalentamiento: BA1120, BA1120-FC, BA1400, BA1400-FC, BA2240, BA2240-FC, BA2800, BA2800-FC, BA4200 y BA4200-FC; las luces LED ubicadas en los siguientes paquetes de batería se encenderán en rojo en caso de sobrecalentamiento: BA1400T, BA1400T-FC, BA2800T, BA2800T-FC, BA4200T, BA4200T-FC, BA5600T y BA5600T-FC.

Extienda el interruptor de agarre y espere hasta que el paquete de baterías se enfríe y la luz LED anaranjada intermitente de las baterías se ponga de color verde; luego, vuelva a encender el soplador de nieve.

Si desea evitar la activación de la protección contra temperaturas altas de las baterías y el apagado del motor, no intente usar una sola batería para alimentar el soplador de nieve en caso de que la nieve acumulada tenga una profundidad de más de 7,62 cm o de que la nieve esté muy húmeda o congelada.

Recomendamos usar dos baterías al mismo tiempo. De esta manera, el soplador de nieve trabajará con la potencia máxima.

Si se activa la protección contra temperaturas altas, disminuya el ritmo y el ancho de soplado para evitar una sobrecarga.

CONSEJOS DE OPERACIÓN

⚠ PELIGRO: no use el soplador de nieve en lagos o ríos congelados ni superficies similares. Si el hielo se parte, pueden producirse lesiones graves o la muerte.

⚠ PELIGRO: no use el soplador de nieve en techos ni superficies inestables, ya que pueden producirse lesiones personales graves o la muerte.

⚠ ADVERTENCIA: no use el soplador de nieve en superficies con hielo, ya que puede resbalarse, caerse y sufrir lesiones graves.

⚠ ADVERTENCIA: no use ropa holgada, bufandas ni joyas. Estas pueden quedar atrapadas en las piezas móviles y provocar lesiones graves o la muerte.

⚠ ADVERTENCIA: asegúrese de no descargar nieve en dirección a dispositivos eléctricos, ya que esto puede provocar la electrocución o descargas eléctricas.

⚠ ADVERTENCIA: no apunte con el soplador de nieve ni el conducto de descarga a personas o mascotas. La nieve o los objetos que salen despedidos pueden provocar lesiones personales graves.

⚠ ADVERTENCIA: asegúrese de que el área de trabajo no tenga piedras, palos, cables, gravilla ni otros objetos que puedan salir despedidos en cualquier dirección y ocasionar lesiones personales graves al operador y a otras personas.

- Si la herramienta se obstruye durante el uso, apáguela, retire el paquete de baterías, elimine la obstrucción e inspeccione la unidad cuidadosamente para verificar que no tenga daños antes de seguir trabajando.

⚠ ADVERTENCIA: no coloque las manos dentro del conducto de descarga ni ubique ninguna parte del cuerpo frente al soplador de nieve cuando la unidad esté en funcionamiento o cuando el paquete de baterías esté instalado. Antes de eliminar obstrucciones, asegúrese de que todas las piezas móviles se hayan detenido y de que el paquete de baterías se haya retirado. De lo contrario, pueden producirse lesiones personales graves.

- Tenga en cuenta la dirección del viento antes de empezar a trabajar. Si es posible, descargue la nieve en la misma dirección del viento para evitar que esta lo golpee en la cara.

- Algunas piezas del soplador de nieve pueden congelarse en condiciones climáticas extremas. No intente hacer funcionar la unidad si algunas de sus piezas están congeladas.
- Cuando termine, deje que el motor siga funcionando por unos minutos más para evitar que las piezas móviles se congelen y mueva la manija de rotación del conducto varias veces hacia delante y hacia atrás para eliminar el hielo que pudo haberse acumulado. Asegúrese de quitar la nieve y el hielo de la base del conducto.
- Si hace frío y nieva, es posible que algunos controles y piezas móviles se congelen. No ejerza demasiada fuerza sobre los controles. Si tiene dificultades para hacer funcionar un control o una pieza, siga el procedimiento de encendido que se describe en la sección **“CÓMO ENCENDER Y APAGAR EL SOPLADOR DE NIEVE”** y deje funcionar la máquina por algunos minutos.

MANTENIMIENTO

⚠ ADVERTENCIA: para evitar lesiones personales graves, retire el paquete de baterías del soplador de nieve antes de limpiarlo o realizarle cualquier tarea de mantenimiento.

⚠ ADVERTENCIA: al realizar mantenimiento, utilice solo piezas de repuesto idénticas a las de fabricación. El uso de cualquier otra pieza puede crear un peligro o causar daños en el producto. Para garantizar la seguridad y confiabilidad, toda reparación debe ser realizada sólo por un técnico de mantenimiento calificado.

AVISO: inspeccione el producto periódicamente para verificar que no haya piezas dañadas, faltantes o flojas, como tornillos, tuercas, pernos, tapas, etc. Apriete bien todos los sujetadores y las tapas y no use el producto hasta que se hayan reemplazado las piezas faltantes o dañadas.

MANTENIMIENTO GENERAL

Evite utilizar solventes para limpiar las piezas de plástico. La mayoría de los plásticos tienden a dañarse con los distintos tipos de solventes comerciales. Utilice paños limpios para eliminar la suciedad, el polvo, el aceite, la grasa, etc.

⚠ ADVERTENCIA: no deje que las piezas plásticas entren en contacto con líquido de frenos, gasolina, productos a base de petróleo, aceites penetrantes, etc. Las sustancias químicas pueden dañar, debilitar o destruir el plástico, lo que puede causar lesiones personales graves.

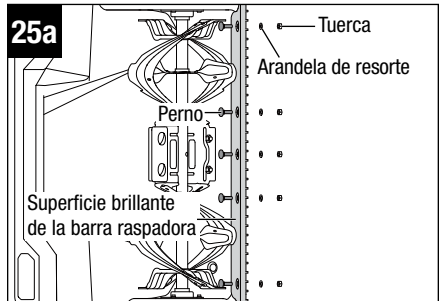
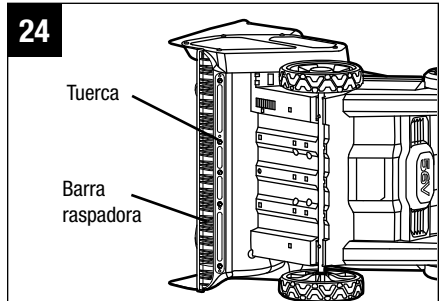
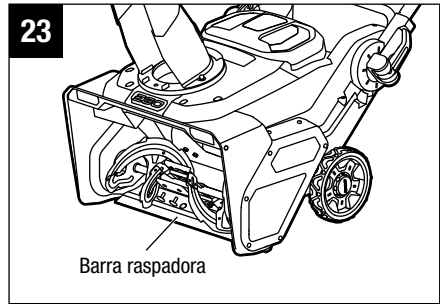
CÓMO LUBRICAR LA MÁQUINA

Todos los rodamientos de este producto se lubrican con una cantidad suficiente de lubricante de grado alto para que permanezcan en condiciones de operación normales durante toda la vida útil de la unidad. Por lo tanto, no es necesario que lubrique los rodamientos.

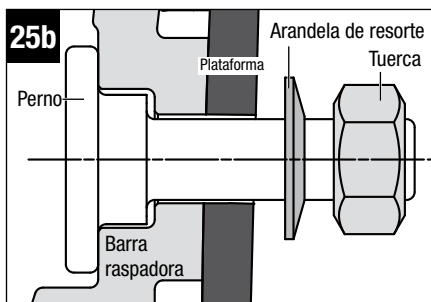
CÓMO REEMPLAZAR LA BARRA RASPADORA

⚠ ADVERTENCIA: asegúrese de desactivar el interruptor de agarre y de retirar el paquete de baterías antes de llevar a cabo cualquier tarea de mantenimiento al soplador de nieve.

1. La barra raspadora se encuentra en la parte inferior del soplador de nieve, debajo de la barrena (Fig. 23).
2. Ponga el soplador de nieve de lado (Fig. 24).
3. Para reducir el riesgo de sufrir lesiones, use guantes. Utilice una llave para tuercas (no se incluye) para retirar los 5 tuercas (Fig. 24). Retire la barra raspadora desgastada del soplador de nieve.
4. Coloque la barra raspadora nueva en el soplador de nieve con la superficie brillante dando cara a la parte interior de la plataforma. Alinee los orificios de montaje en la barra raspadora con los orificios en la plataforma de acero. Coloque los 5 pernos que se en los orificios de montaje desde la superficie brillante del interior de la barra raspadora (Fig. 25a).



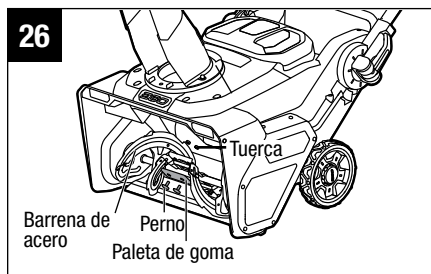
- Coloque las arandelas de resorte y las tuercas en los pernos (desde la parte exterior de la plataforma) y utilice una llave para tuercas (no se incluye) para asegurar con firmeza la barra raspadora a la plataforma (Fig. 25b).



REEMPLAZO DE LA PALETA DE GOMA

⚠ ADVERTENCIA: asegúrese de poner el interruptor de agarre en la posición de apagado y retirar el paquete o los paquetes de batería antes de realizar cualquier tarea de mantenimiento en su soplador de nieve.

- Use guantes. Rote manualmente la barrena de acero hasta la posición adecuada para desensamblar fácilmente la paleta de goma de la manera que se muestra en la Fig. 26.



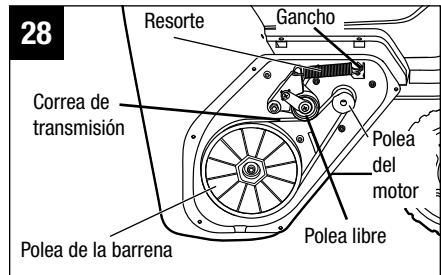
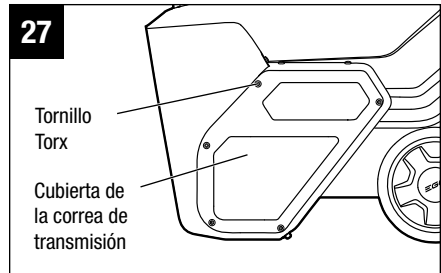
- Utilice un destornillador de cabeza plana (no incluido) para aflojar completamente los dos pernos ubicados en un lado y retire los dos pernos y las dos tuercas para retirar la paleta de goma de la barrena de acero.
- Desensamble la otra paleta de goma ubicada en el otro lado de la misma manera.
- Reemplace las paletas viejas por las paletas de goma nuevas y apriételas firmemente.

CÓMO REMPLAZAR LA CORREA DE TRANSMISIÓN

Si la correa de transmisión se desgasta, se impregna de aceite, se agrieta o se deshilacha de forma excesiva o sufre algún otro tipo de daño, reemplácela.

⚠ ADVERTENCIA: asegúrese de desactivar el interruptor de agarre y de retirar el paquete de baterías antes de llevar a cabo cualquier tarea de mantenimiento al soplador de nieve.

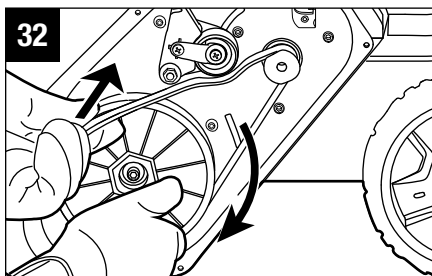
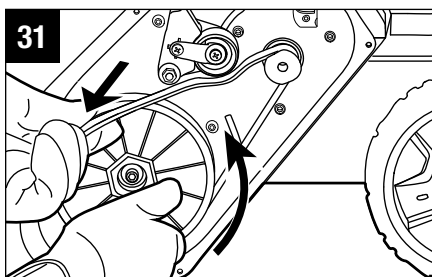
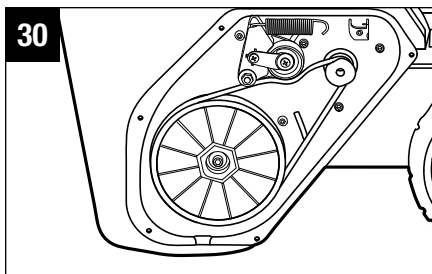
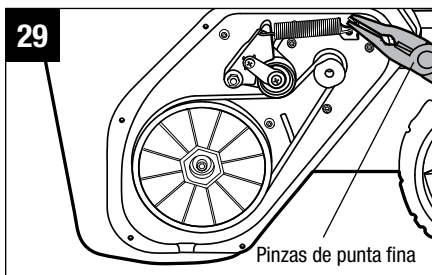
1. Use un T20 destornillador Torx (no se incluye) para retirar la cubierta de la correa de transmisión y extraer los 8 tornillos Torx, tal como se muestra en la Fig. 27.



2. Use un par de pinzas de punta fina (no se incluyen) para retirar el resorte del gancho y soltar la correa de transmisión (Fig. 29 y 30).
3. Gire lentamente la polea de la barrena en dirección contraria a las manecillas del reloj y tire la correa de transmisión hacia afuera para retirarla (Fig. 31).
4. Instale la correa de transmisión nueva y colóquela encima de las poleas (Fig. 32).

Consejos: primero, coloque la correa de transmisión nueva en la polea del motor, luego en la polea libre y, por último, en la polea de la barrena. Gire lentamente la polea de la barrena en dirección de las manecillas del reloj para empujar la correa hacia adentro (Fig. 28).

5. Use el par de pinzas de punta fina para instalar el resorte en el gancho y tensar la correa de transmisión (Fig. 29).
6. Vuelva a instalar la cubierta de la correa de transmisión con los 8 tornillos Torx que retiró en el paso 1 (Fig. 27).



ALMACENAJE DEL SOPLADOR DE NIEVE

⚠ PRECAUCIÓN: asegúrese de limpiar la nieve que haya quedado en el soplador de nieve para evitar que se derrita y provoque resbalones y caídas.

- Retire el paquete de baterías y guárdelo en un lugar seguro, lejos del alcance de los niños.

NOTA: esté utilizando, una batería de 56 V se deberá almacenar en un área cerrada donde la temperatura no descienda por debajo de -4°F (-20°C). Las temperaturas de carga máximas son 41°F - 104°F (5°C - 40°C).

Limpie la humedad, el polvo o la suciedad de las baterías antes de almacenarlas.

- Limpie el soplador de nieve con un paño limpio y seco.
- Verifique que todas las tuercas, los pernos, las perillas, los tornillos, etc. estén apretados.
- Inspeccione las piezas móviles para ver si están dañadas, rotas o desgastadas. Si hay piezas dañadas o faltantes, lleve a cabo las reparaciones o los reemplazos necesarios.
- Pliegue los carriles laterales en posición de almacenaje.
- Almacene el soplador de nieve en un lugar limpio, seco y cerrado, fuera del alcance de los niños.
- No lo almacene cerca de materiales corrosivos, como fertilizantes o cloruro sódico.

SOLUCIÓN DE PROBLEMAS

⚠️ ADVERTENCIA: retire el paquete de baterías antes de transportar el soplador de nieve o efectuarle tareas de mantenimiento. Use guantes para protegerse las manos cuando lleve a cabo tareas de mantenimiento a la barrena o la barra raspadora del soplador de nieve.

PROBLEMA	CAUSA	SOLUCIÓN
Los carriles laterales no están en posición.	<ul style="list-style-type: none"> ■ Las perillas de los carriles laterales o las palancas abrazaderas de la manija no están aseguradas. 	<ul style="list-style-type: none"> ■ Asegúrese de que las perillas de los carriles laterales estén bien apretadas y de que las palancas abrazaderas de la manija estén bien cerradas.
El soplador de nieve no se enciende.	<ul style="list-style-type: none"> ■ El nivel de carga de las baterías está bajo. ■ La barrena de acero está congelada por nieve o hielo. ■ La batería está sobrecalentada. El indicador LED ubicado en la batería parpadea en naranja o se enciende en rojo (consulte la sección “PROTECCIÓN CONTRA TEMPERATURAS ALTAS DE LAS BATERÍAS” de este manual). ■ El botón de seguridad no está presionado. 	<ul style="list-style-type: none"> ■ Cargue la batería. ■ Retire primero el paquete o los paquetes de batería y utilice una herramienta de limpieza para retirar la nieve o el hielo que se encuentran en la barrena y la obstruyen. Rearranque el soplador de nieve. ■ Retire la batería sobrecalentada del soplador de nieve, espere hasta que el paquete de batería se enfríe hasta aproximadamente 152 °F (67° C) y luego reinstale la batería y rearranque el soplador de nieve. ■ Presione el botón de seguridad y, con dicho botón presionado, jale hacia arriba el interruptor de agarre para que llegue a la manija.

<p>El motor está encendido, pero la barrena no funciona.</p>	<ul style="list-style-type: none"> ■ La correa de transmisión está rota o desgastada. 	<ul style="list-style-type: none"> ■ Reemplace la correa de transmisión tal como se explica en la sección “CÓMO REEMPLAZAR LA CORREA DE TRANSMISIÓN” de este manual.
<p>El soplador deja una capa de nieve en el piso tras su paso.</p>	<ul style="list-style-type: none"> ■ La barra raspadora está desgastada. 	<ul style="list-style-type: none"> ■ Reemplace la barra raspadora tal como se explica en la sección “CÓMO REEMPLAZAR LA BARRA RASPADORA” de este manual.

ACCESORIOS

⚠ ADVERTENCIA: Las siguientes piezas se desgastarán con el uso normal. Use solo las piezas de repuesto que se indican a continuación. El uso de piezas que no cumplen con las especificaciones del equipo original podría causar un rendimiento inadecuado y poner en riesgo la seguridad.

NOMBRE DE LA PIEZA	NÚMERO DEL MODELO
Paleta de goma	ARP2101
Barra raspadora	ASS2100
Correa de transmisión	AVB2306

GARANTÍA

POLÍTICA DE GARANTÍA

Garantía limitada de 5 años en equipos de energía para exteriores y energía portátil EGO POWER+ para uso doméstico personal.

Garantía limitada de 3 años en paquetes de baterías y cargadores con el Sistema EGO POWER+ para uso doméstico personal.

Garantía limitada de 2 años/1 año en equipos de energía para exteriores, energía portátil, paquetes de baterías y cargadores EGO para uso profesional y comercial.

Los períodos de garantía detallados por productos se pueden encontrar en línea en <http://egopowerplus.com/pages/warranty-policy>.

Póngase en contacto con Servicio al Cliente de EGO de manera gratuita al 1-855-EGO-5656, cuando tenga preguntas o reclamaciones de garantía.

GARANTÍA LIMITADA DE SERVICIO

Los productos EGO están garantizados contra defectos de material o de fabricación a partir de la fecha de compra original al por menor durante el período de garantía aplicable. El producto defectuoso será reparado gratuitamente.

- a) Esta garantía se aplica solo al comprador original del distribuidor minorista autorizado de EGO y podría no ser transferible. Los distribuidores minoristas autorizados de EGO se identifican en línea, en <http://egopowerplus.com/pages/warranty-policy>.
- b) El período de garantía para productos reacondicionados o certificados de fábrica que se utilizan para fines residenciales es de 1 año, para fines industriales, profesionales o comerciales es de 90 días.
- c) El período de garantía para piezas del mantenimiento de rutina, incluidas, entre otras, cuchillas, cabezales de orilladoras, listones de cadenas, cadenas de motosierras, correas, barras raspadoras, boquillas de sopladores y todos los demás accesorios EGO, es de 90 días con fines residenciales y de 30 días para propósitos industriales, profesionales o comerciales. Estas piezas tienen cobertura durante 90/30 días por defectos de fabricación en condiciones normales de trabajo.
- d) Esta garantía queda nula si el producto se ha puesto en alquiler.

- e) Esta garantía no cubre daños producto de modificaciones, alteraciones o reparaciones no autorizadas.
- f) Esta garantía solo cubre defectos que surjan del uso normal y no cubre el mal funcionamiento, las fallas ni los defectos que resulten del mal uso, el abuso (que incluye la sobrecarga del producto más allá de su capacidad y sumergirlo en agua o en cualquier otro líquido), accidentes, negligencia o falta de instalación adecuada y mantenimiento o almacenamiento inadecuados.
- g) Esta garantía no cubre el deterioro normal del acabado exterior, incluidos, entre otros, rayones, abolladuras, trozos de pintura o cualquier corrosión o decoloración producida por el calor o limpiadores químicos y abrasivos.

CÓMO OBTENER EL SERVICIO

Para obtener el servicio de garantía, póngase en contacto con Servicio al Cliente de EGO de manera gratuita al **1-855-EGO-5656**. Cuando pida un servicio cubierto por la garantía, debe presentar el recibo con la fecha original de venta. Un centro de servicio autorizado será seleccionado para reparar el producto de acuerdo con los términos establecidos en la garantía. Cuando lleve el producto al centro de servicio autorizado, es posible que deba hacer un pequeño depósito cuando deje la herramienta. Este depósito se reembolsará cuando se considere que el servicio de reparación se haya cubierto con la garantía.

LIMITACIONES ADICIONALES

En la medida en que la ley aplicable lo permita, se deniegan todas las garantías implícitas, inclusive las garantías de COMERCIALIZADIDAD o IDONEIDAD PARA UN PROPÓSITO ESPECÍFICO. Todas las garantías implícitas, inclusive las garantías de comerciabilidad o idoneidad para un propósito específico, que no se puedan denegar bajo la ley estatal, están limitadas al período de garantía aplicable definido al comienzo de este artículo.

Chervon North America no se hará responsable por daños directos, indirectos, accidentales o resultantes.

Algunos estados no permiten limitaciones con respecto a la duración de una garantía implícita y/o no permiten la exclusión o limitación de daños accidentales o resultantes, de modo que las limitaciones antes descritas podrían no aplicarse en su caso.

Esta garantía le otorga derechos legales específicos, pero podría tener también otros derechos que varían según el estado.



Para obtener el servicio al cliente, póngase en contacto con nosotros de manera gratuita al: **1-855-EGO-5656** o visite: **EGOPOWERPLUS.COM**
EGO Customer Service, 769 SEWARD AVE NW / Suite 102 Grand Rapids, MI 49504

