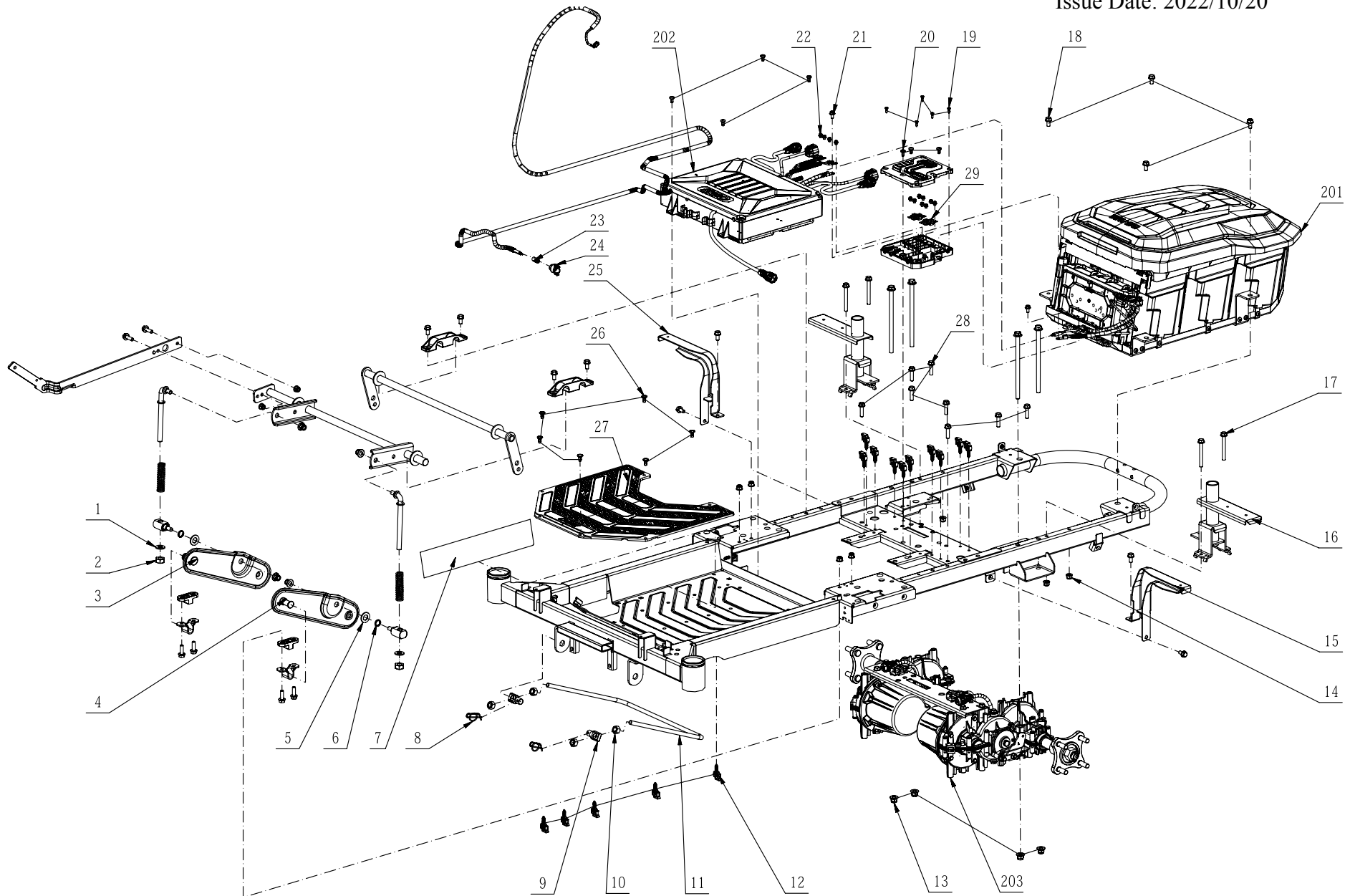


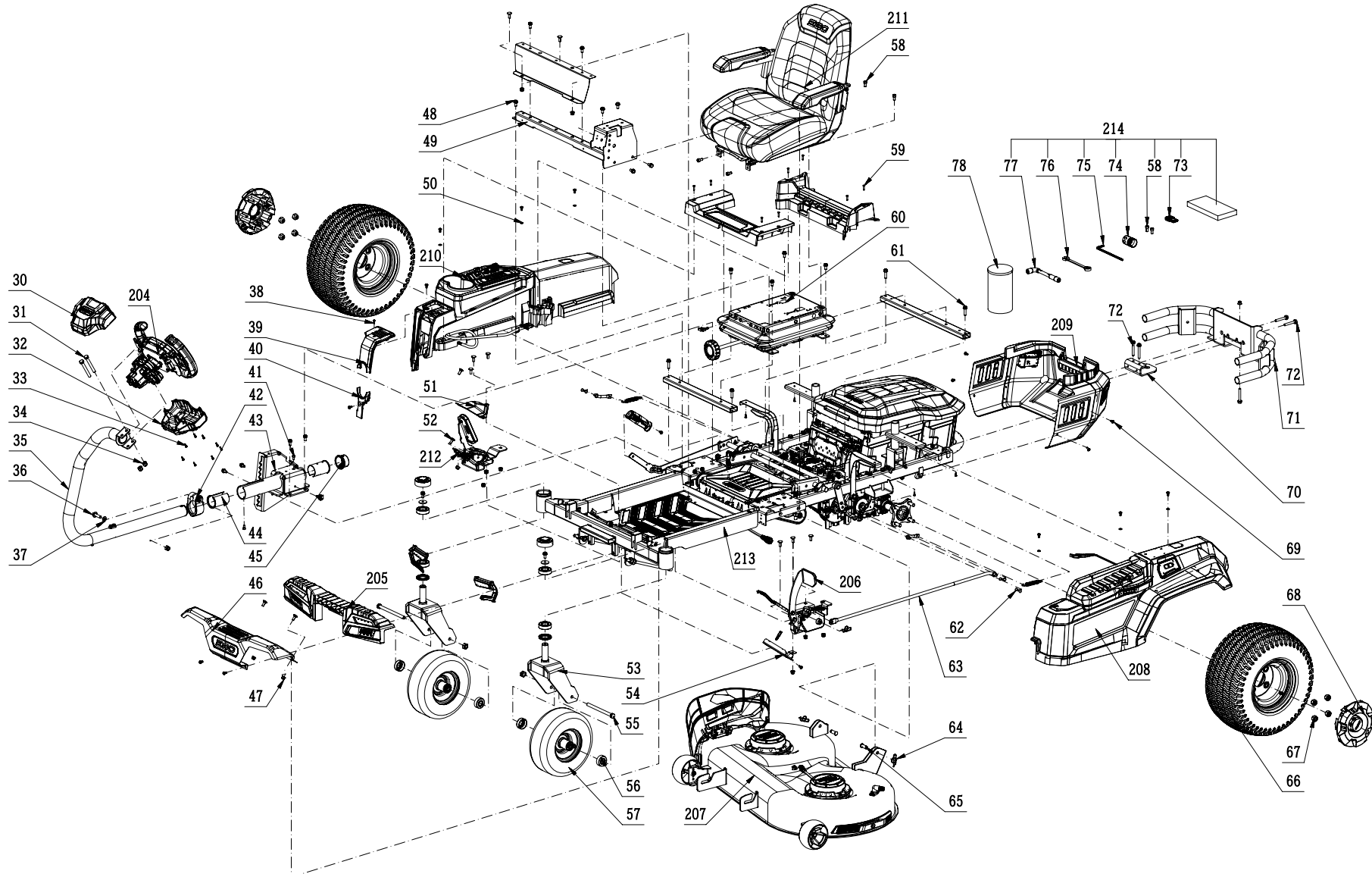


Product Description: Zero Turn Riding Mower
Model Number: ZT4200S
Body Number: 2829467001S01
Version: A
Issue Date: 2022/10/20





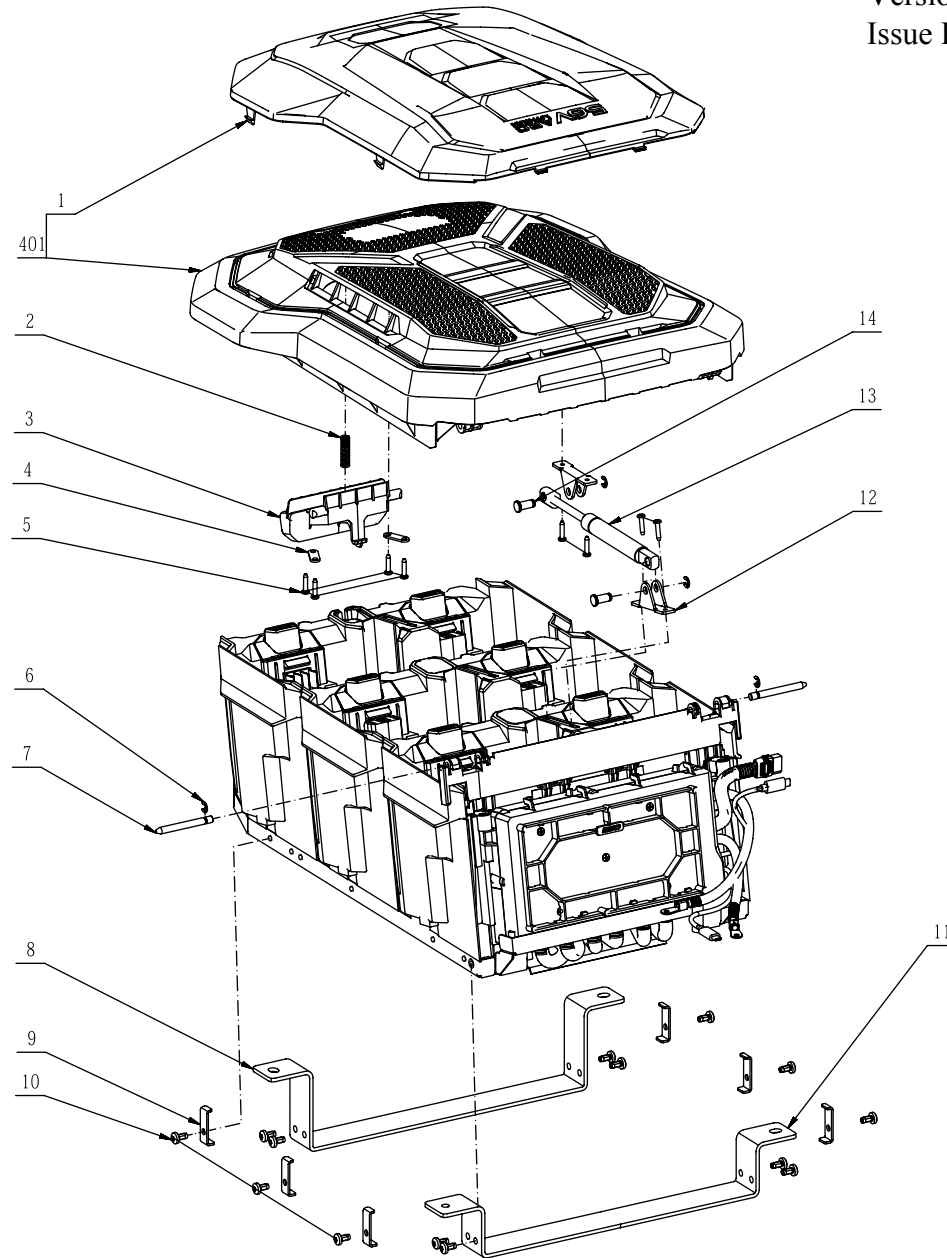
Product Description: Zero Turn Riding Mower
Model Number: ZT4200S
Body Number: 1000056001S01
Version: A
Issue Date: 2022/10/20





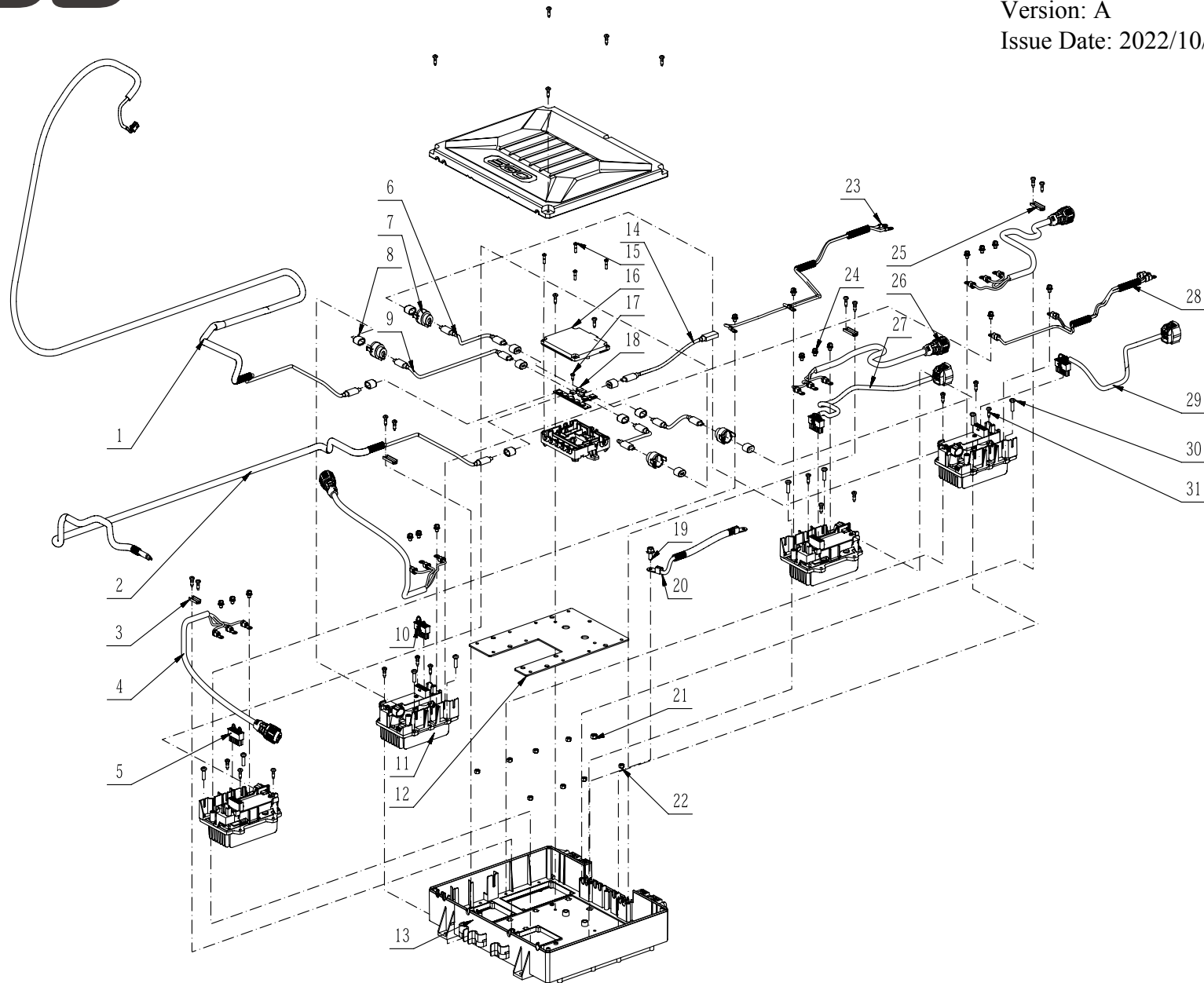
Product Description: Zero Turn Riding Mower
Model Number: ZT4200S
Body Number: 1000031001_S
Version: A
Issue Date: 2022/10/20

201





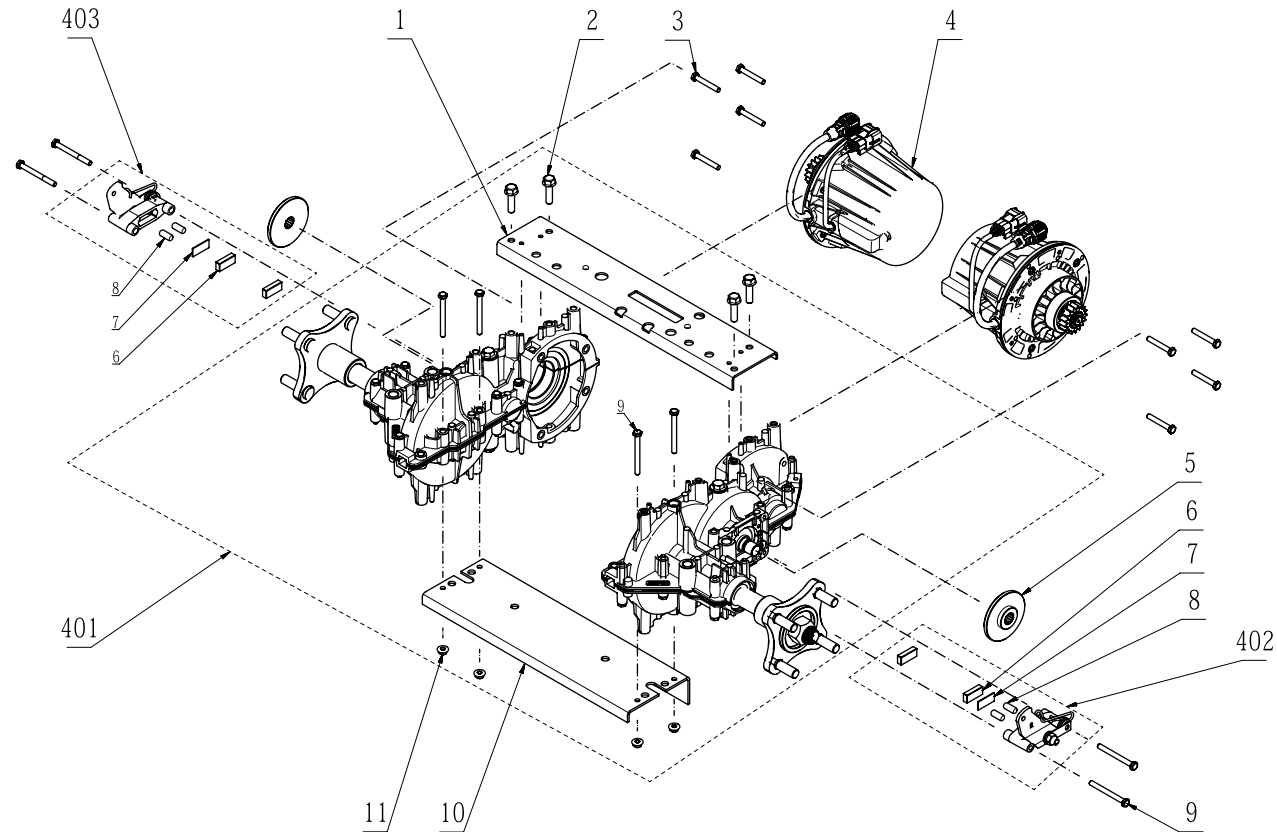
Product Description: Zero Turn Riding Mower
Model Number: ZT4200S
Body Number: 2831382001S01
Version: A
Issue Date: 2022/10/26





Product Description: Zero Turn Riding Mower
Model Number: ZT4200S
Body Number: 1000031001_S
Version: A
Issue Date: 2022/10/20

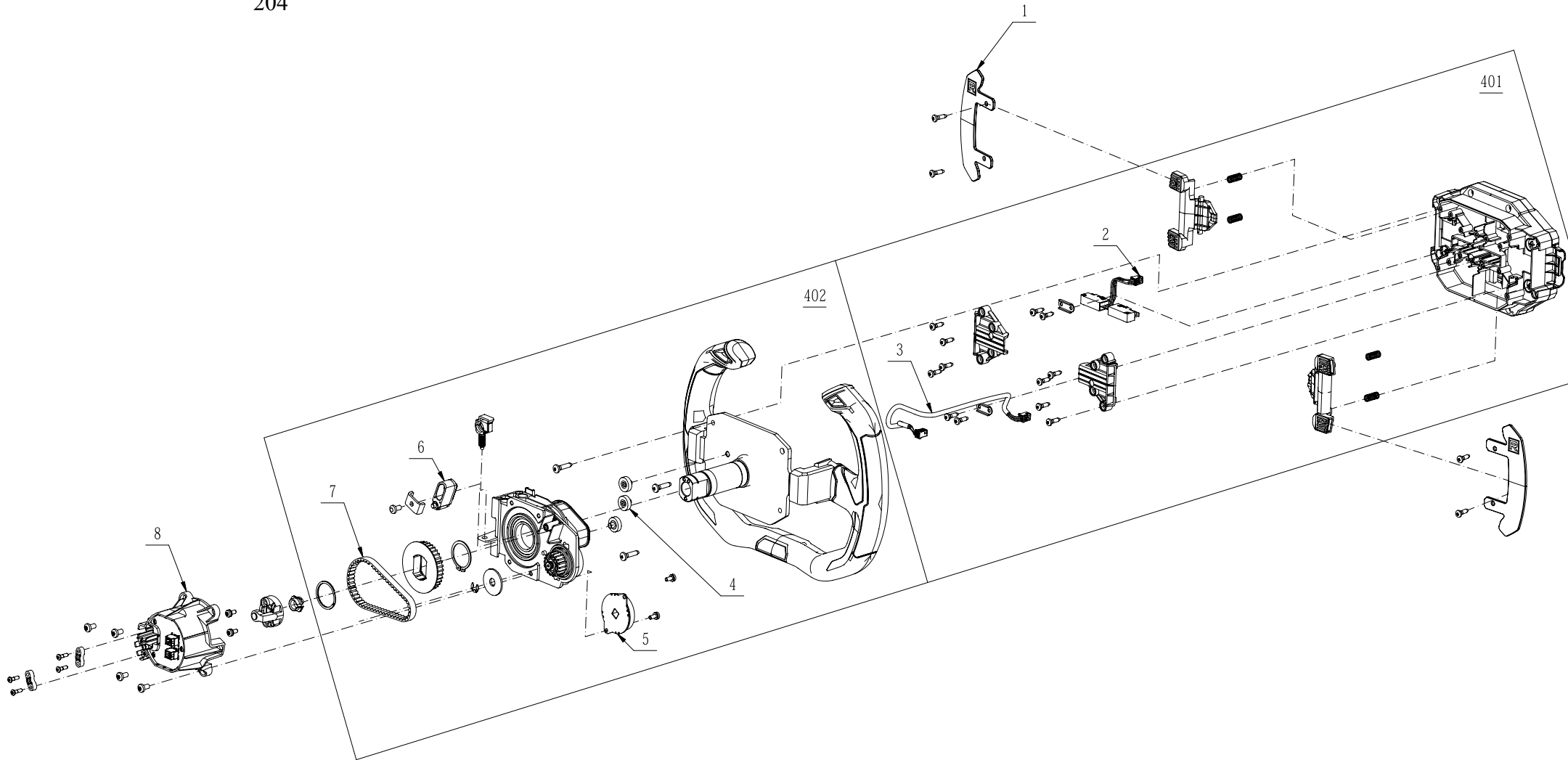
203





Product Description: Zero Turn Riding Mower
Model Number: ZT4200S
Body Number: 2829461001S01
Version: A
Issue Date: 2022/10/20

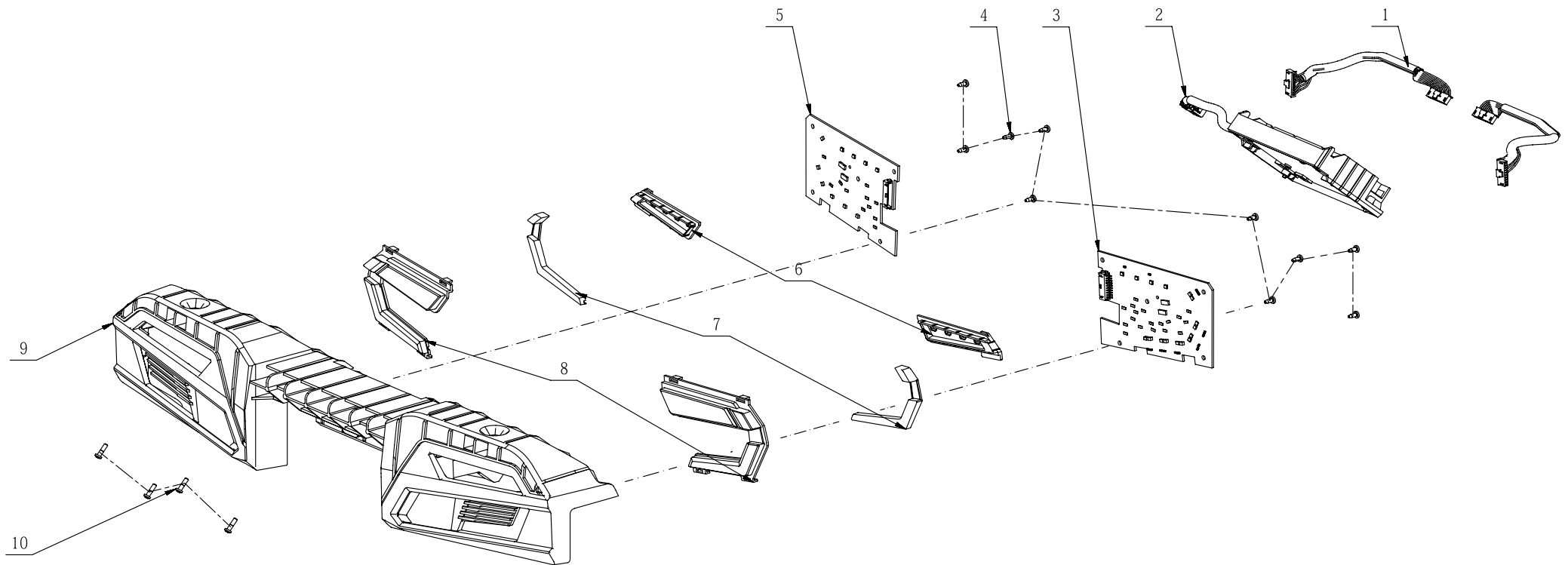
204





Product Description: Zero Turn Riding Mower
Model Number: ZT4200S
Body Number: 2829473001S01
Version: A
Issue Date: 2022/10/20

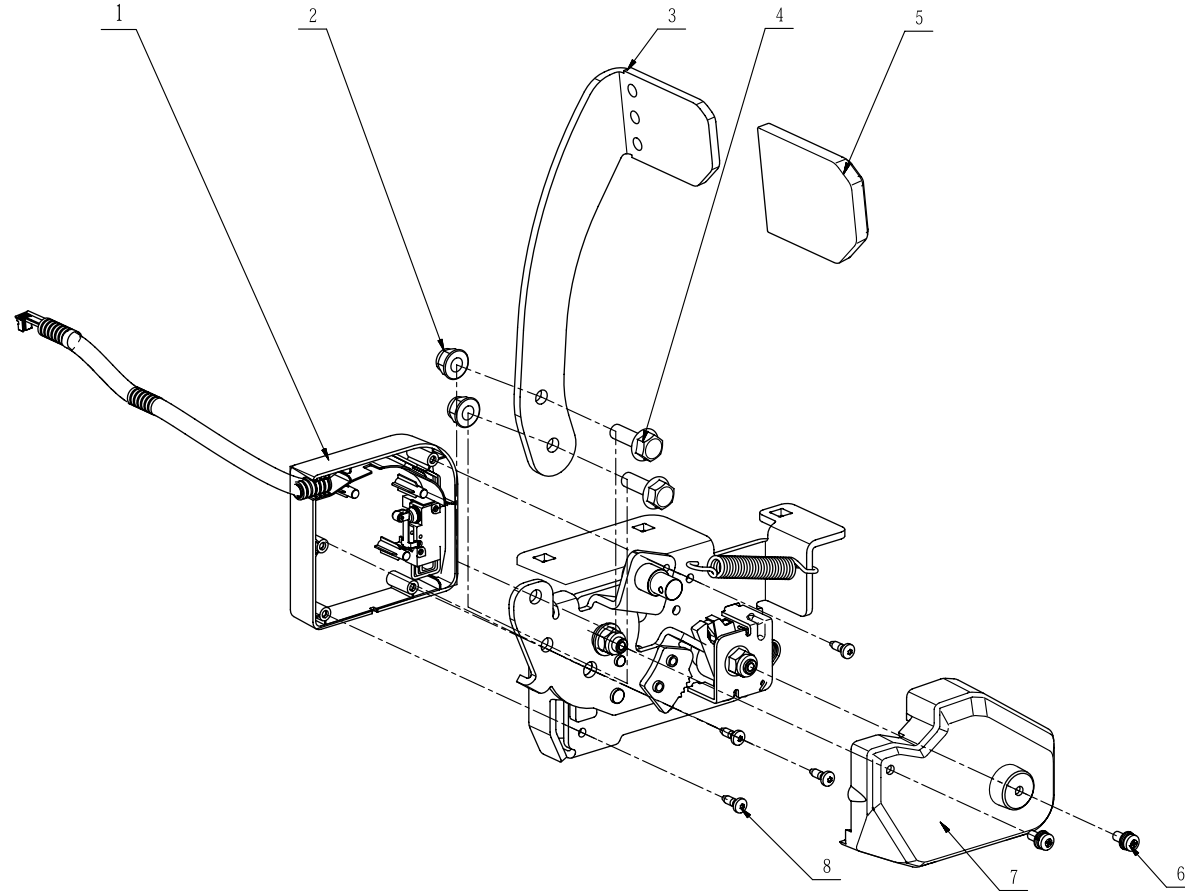
205





Product Description: Zero Turn Riding Mower
Model Number: ZT4200S
Body Number: 1000031001_S
Version: A
Issue Date: 2022/10/20

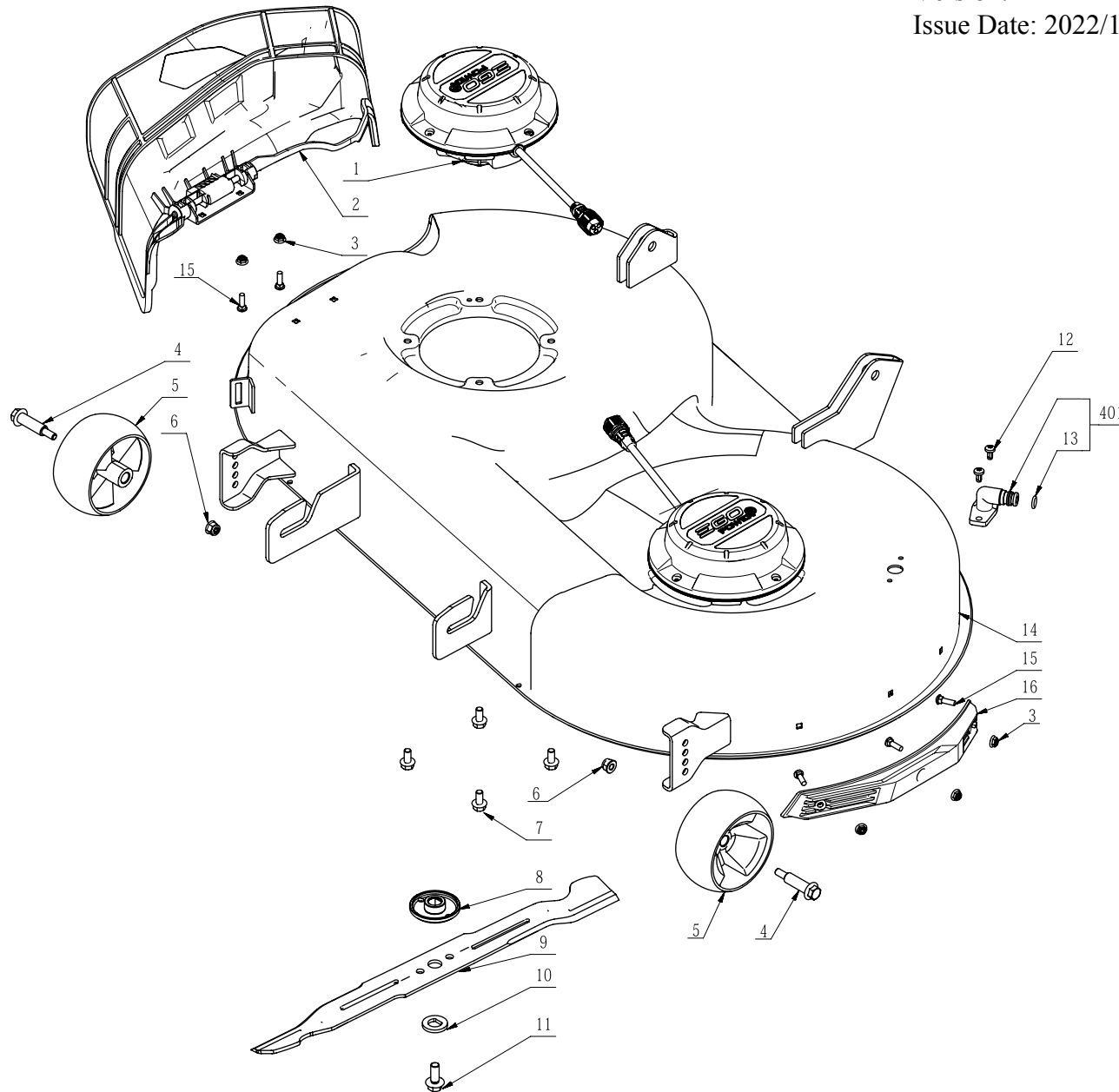
206





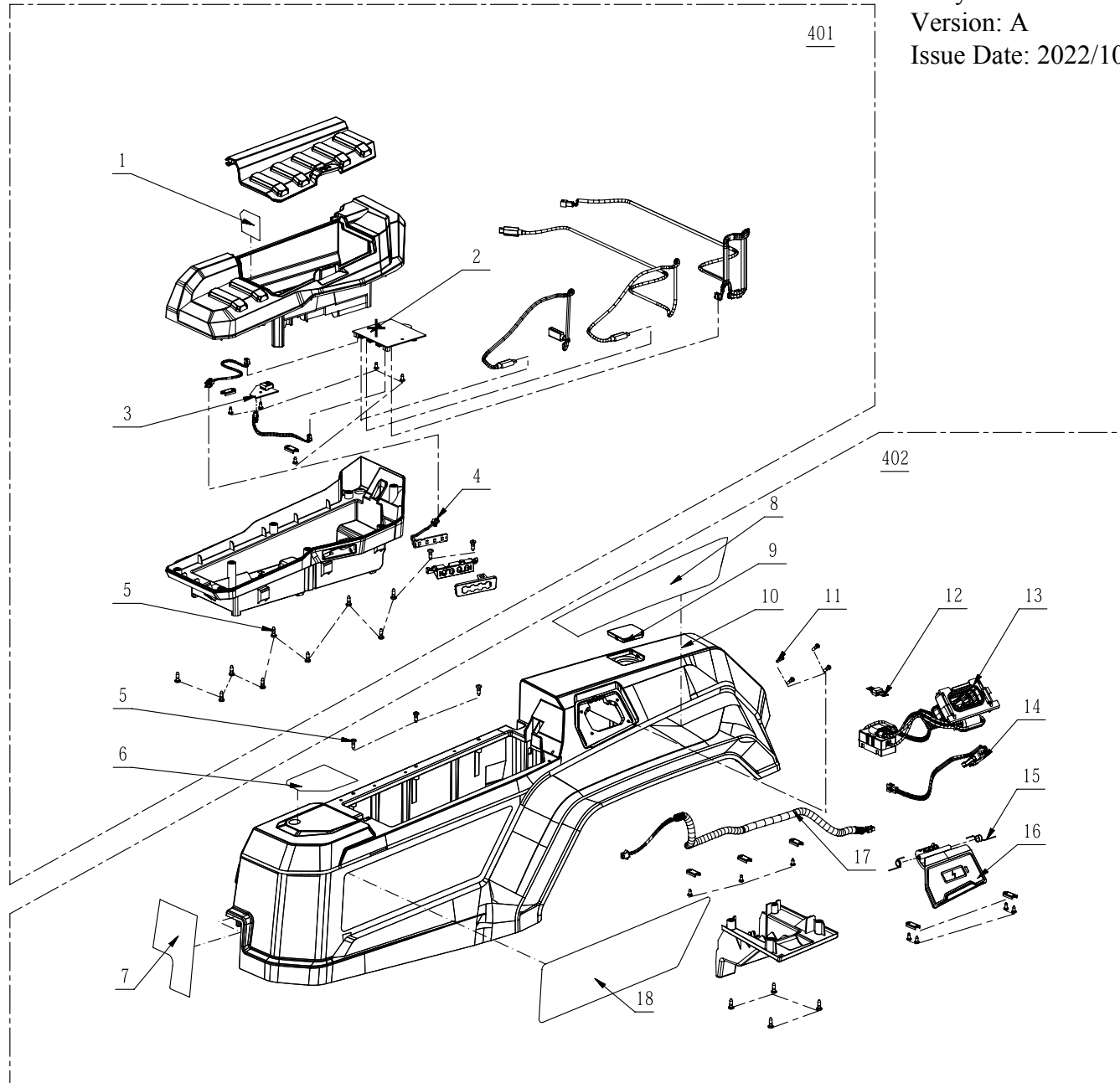
Product Description: Zero Turn Riding Mower
Model Number: ZT4200S
Body Number: 1000031001_S
Version: A
Issue Date: 2022/10/20

207





Product Description: Zero Turn Riding Mower
Model Number: ZT4200S
Body Number: 2829174001S01
Version: A
Issue Date: 2022/10/20

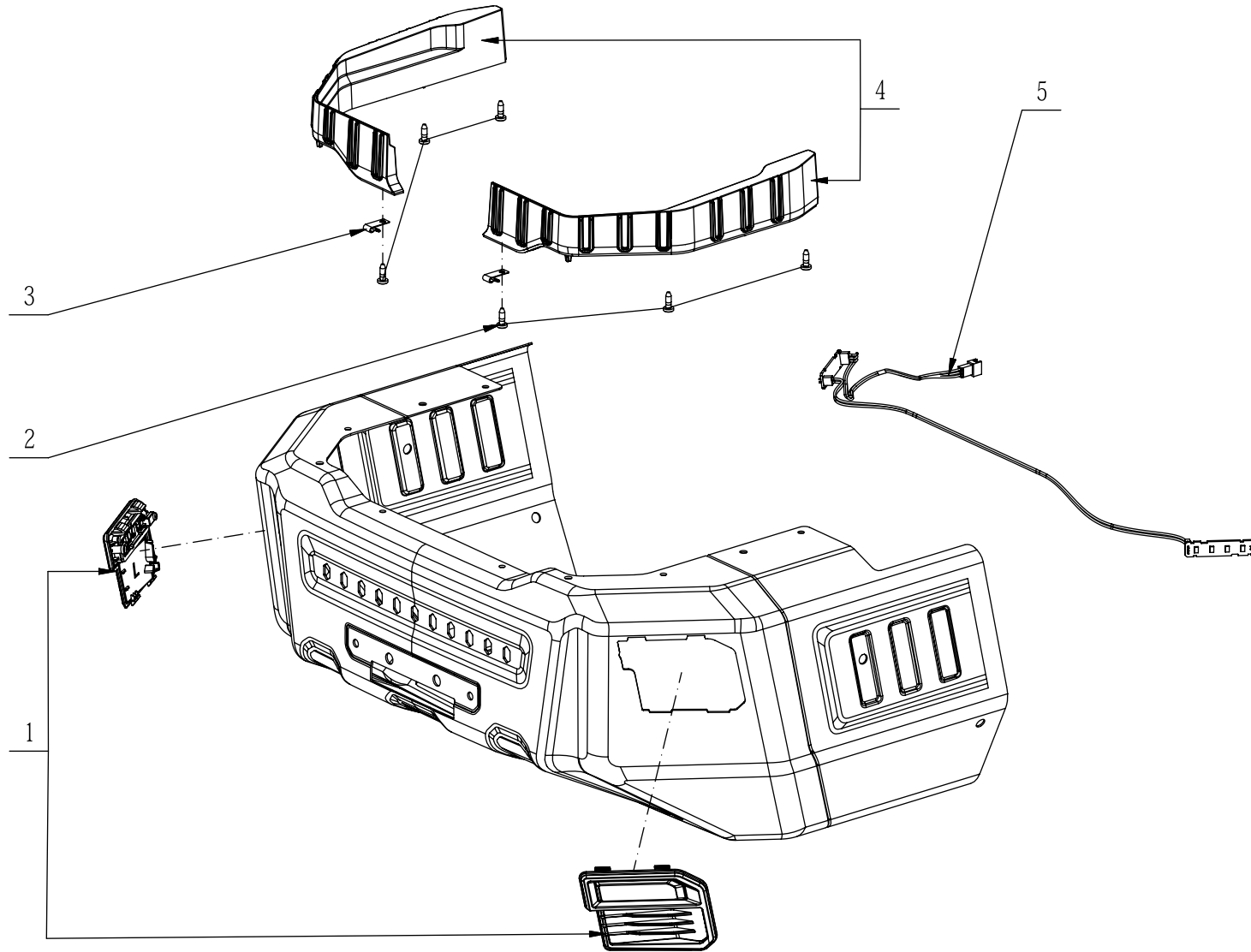


208



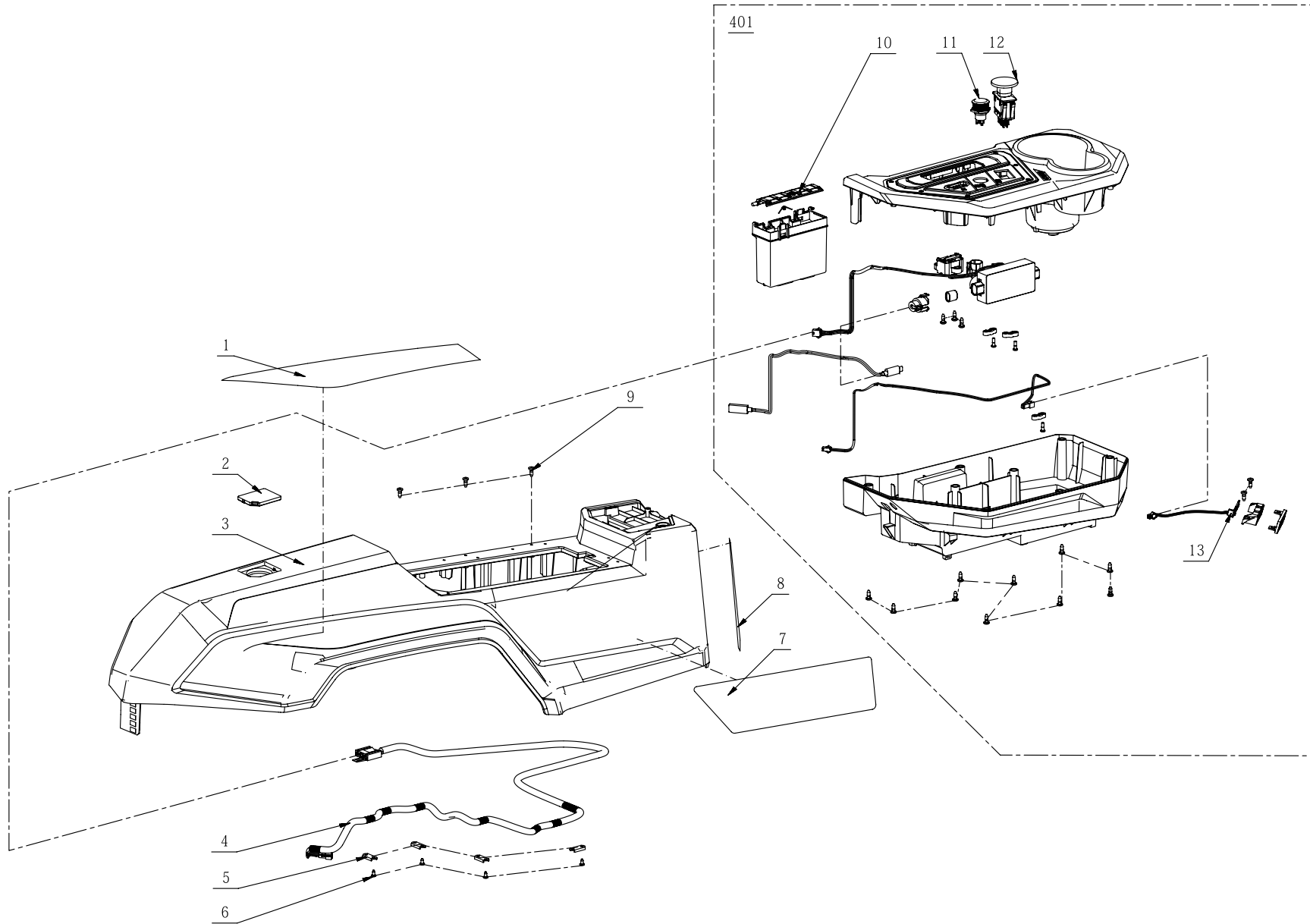
Product Description: Zero Turn Riding Mower
Model Number: ZT4200S
Body Number: 1000031001_S
Version: A
Issue Date: 2022/10/20

209





Product Description: Zero Turn Riding Mower
Model Number: ZT4200S
Body Number: 2829374001S01
Version: A
Issue Date: 2022/10/20

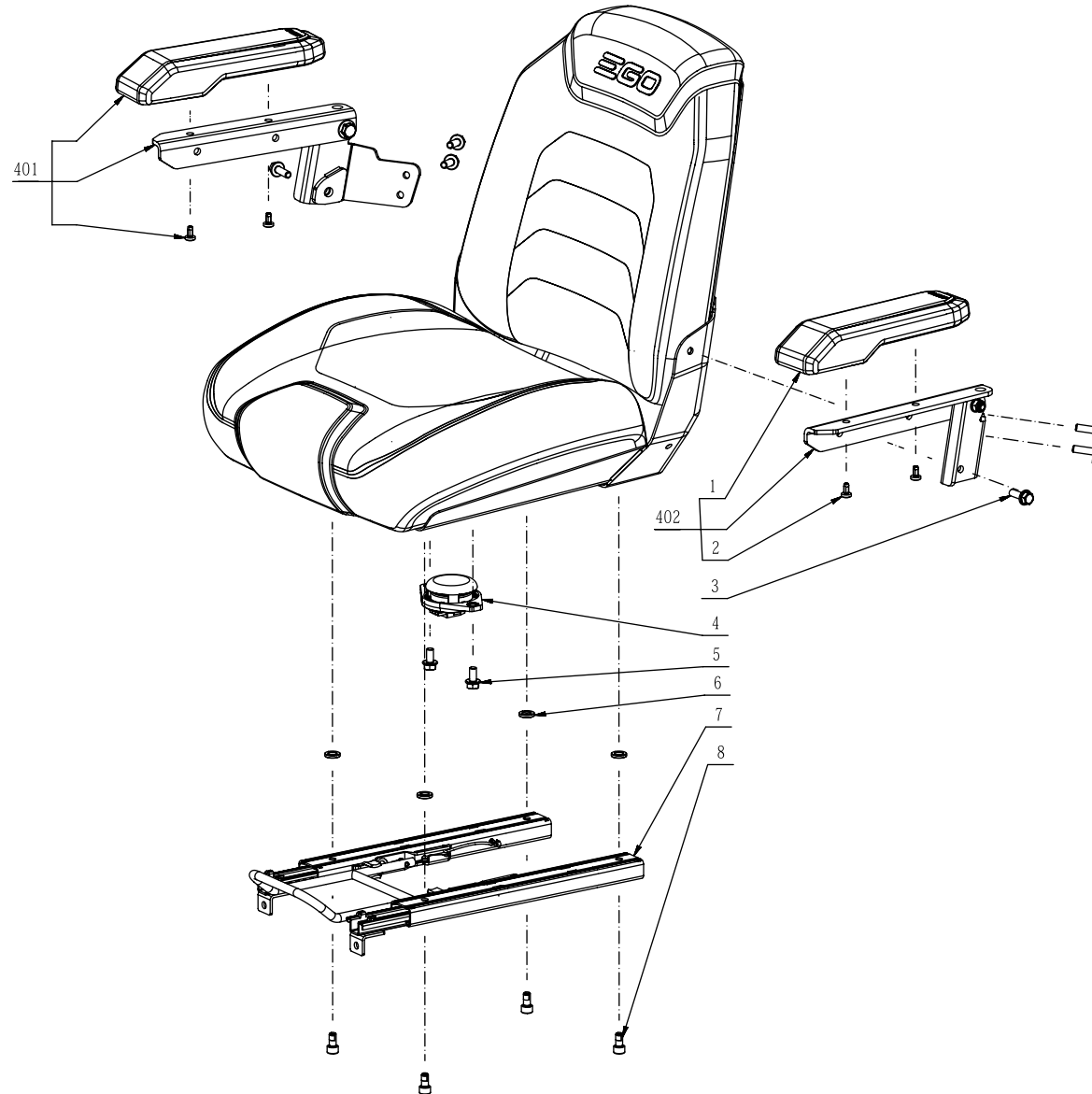


210



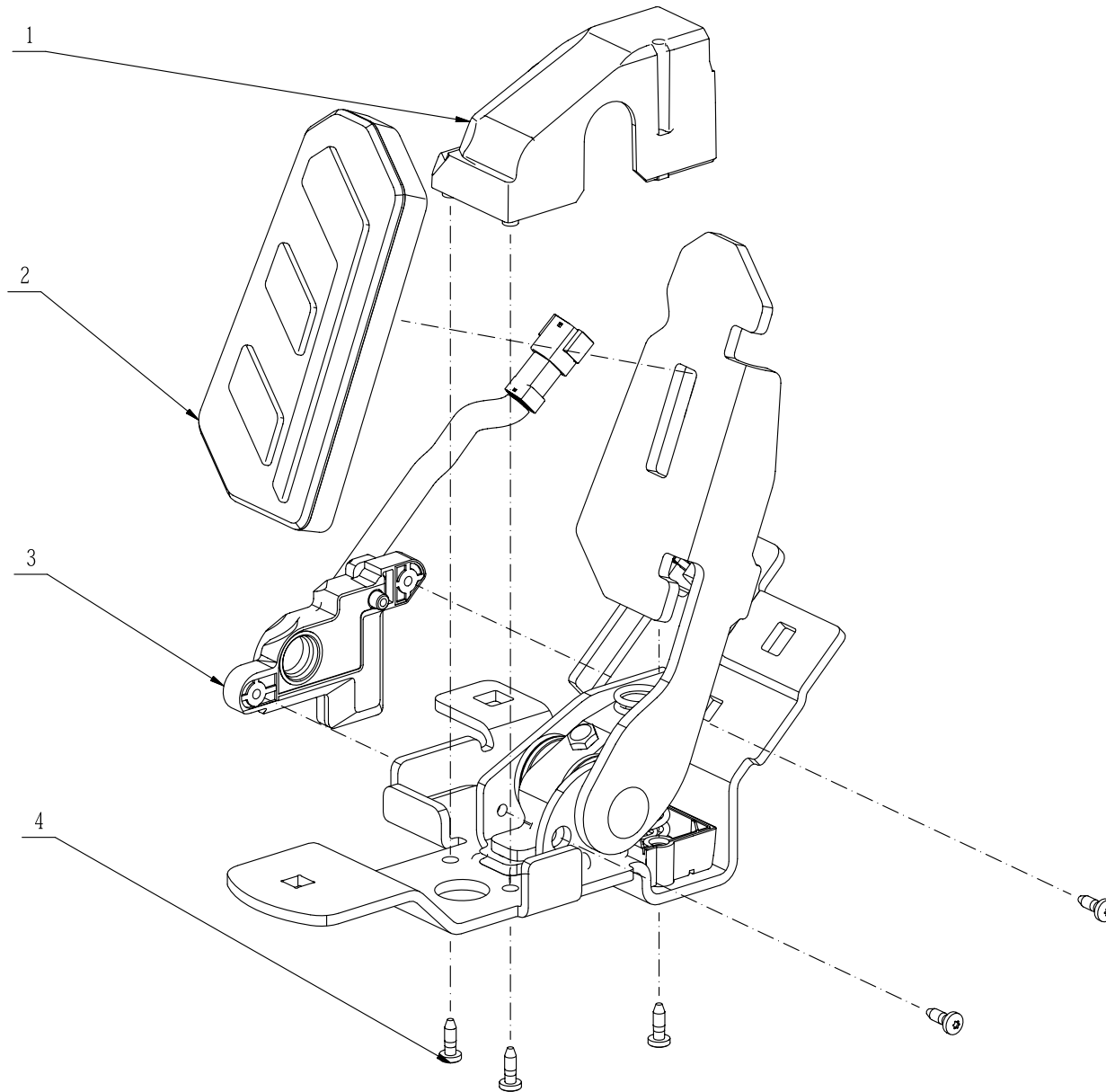
Product Description: Zero Turn Riding Mower
Model Number: ZT4200S
Body Number: 1000031001_S
Version: A
Issue Date: 2022/10/20

211





Product Description: Zero Turn Riding Mower
Model Number: ZT4200S
Body Number: 2829179001S01
Version: A
Issue Date: 2022/10/20



212

No.	Product Model#	Part Number	Description	Qty
1	ZT4200S	5650909001	Plain Washer	2
2	ZT4200S	5630070003	Nut	2
3	ZT4200S	2827074001	Right Lift Arm Assembly	1
4	ZT4200S	2827075001	Left Lift Arm Assembly	1
5	ZT4200S	5650740001	Plain Washer	2
6	ZT4200S	5690532001	Seal Ring	2
7	ZT4200S	2245820003	Nameplate	1
8	ZT4200S	5670561001	Split Pin	2
9	ZT4200S	3553471001	Connecting Rod Spindle	2
10	ZT4200S	5630022004	Hexagon Nut	4
11	ZT4200S	3707327001	Hanger Rod	1
12	ZT4200S	3131157001	Wire Holder	17
13	ZT4200S	5630267001	Nut	8
14	ZT4200S	5630371001	Prevailing Torque Type Hexagon Lock Nut w	10
15	ZT4200S	3707365001	Left Supporting Plate	1
16	ZT4200S	2827182001	Support Assembly	2
17	ZT4200S	5640363001	Flange Bolt-Large Series	4
18	ZT4200S	5640360001	Hexagon Flange Head Thread Forming Screw	12
19	ZT4200S	5620377003	Hexagon Socket Screw	5
20	ZT4200S	5610388001	Hexalobular Socket Thread Forming Screw	7
21	ZT4200S	5640373001	Hex Serrated Flange Screw	2
22	ZT4200S	5620618001	Screw with Washer	12
23	ZT4200S	3580076001	Rubber Sleeve	1
24	ZT4200S	3131055001	Wire Holder	1
25	ZT4200S	3707366001	Right Supporting Plate	1
26	ZT4200S	3131528001	Hook	6
27	ZT4200S	3131403001	Base Foot	1
28	ZT4200S	5640361001	Hexagon Flange Head Thread Forming Screw	8
29	ZT4200S	4970355001	Motor Control System Fuse(80A)	4
30	ZT4200S	2829422001	Decorative Cover Assembly	1
31	ZT4200S	5610923001	Hexagon Head Bolt	2
32	ZT4200S	3133728001	Lower Housing	1
33	ZT4200S	5610223002	Hexagon Lobuar Screw	8
34	ZT4200S	5630329001	Lock Nut	3
35	ZT4200S	2829130001	Inner Tube Welded Assembly	1
36	ZT4200S	5640212002	Bolt	1
37	ZT4200S	5650259001	Washer	1
38	ZT4200S	5620377003	Hexagon Socket Screw	5
39	ZT4200S	3133548001	Top Cover	1
40	ZT4200S	3403426001	Lower Housing	1
41	ZT4200S	5620339002	Hexagon Socket Screw	2
42	ZT4200S	3423390001	Hoop	1
43	ZT4200S	2829131001	Outer Tube Welded Assembly	1
44	ZT4200S	3580440001	Pressing Sleeve	2
45	ZT4200S	3133549001	Lock Sleeve	1
46	ZT4200S	2829470001	Footrest Pedal Assembly	1
47	ZT4200S	5630371001	Prevailing Torque Type Hexagon Lock Nut w	13

No.	Product Model#	Part Number	Description	Qty
48	ZT4200S	5640360001	Hexagon Flange Head Thread Forming Screw	15
49	ZT4200S	2829100001	Support Assembly	1
50	ZT4200S	5650016007	Plain Washer	8
51	ZT4200S	3708673001	Decorative Cover	1
52	ZT4200S	5640358001	Small Round Head Low Square Neck Bolt	12
53	ZT4200S	2827052001	Front Wheel Bracket Assembly	2
54	ZT4200S	3708360001	Full Protection Guard	1
55	ZT4200S	5640356001	Hexagon Head Bolt	2
56	ZT4200S	3130956001	Bearing Cover	4
57	ZT4200S	2827184001	Front Wheel Set	2
58	ZT4200S	5620021004	Hexagon Socket Screw	4
59	ZT4200S	5620453003	Tapping Screw	8
60	ZT4200S	2827209001	Shock Absorber	1
61	ZT4200S	5640361001	Hexagon Flange Head Thread Forming Screw	4
62	ZT4200S	5670563001	R Pin	3
63	ZT4200S	2827083001	Connecting Rod Assembly	1
64	ZT4200S	5670561001	Split Pin	3
65	ZT4200S	5670553001	Pin Shaft	2
66	ZT4200S	2828736001	Rear Wheel Set	2
67	ZT4200S	5630372001	Conical Nut	8
68	ZT4200S	3131306001	Rear Hubcap	2
69	ZT4200S	5610388001	Hexalobular Socket Thread Forming Screw	21
70	ZT4200S	3707449001	Hitch	1
71	ZT4200S	2829132001	Rear Bar	1
72	ZT4200S	5640353001	Flange Bolt-Large Series	3
73	ZT4200S	2827673001	Key Assembly	1
74	ZT4200S	2823689001	Quick Connect Coupling	1
75	ZT4200S	5680145001	Hexagon Socket Screw Key	1
76	ZT4200S	5680137001	Combination Wrench	1
77	ZT4200S	5680356001	Socket Wrench	1
78	ZT4200S	5970136002	Grease	1
201	ZT4200S	2827138002	Battery Box Assembly	1
202	ZT4200S	2831382001	Control Electric Assembly	1
203	ZT4200S	2827266002	Drive Train Assembly	1
204	ZT4200S	2829461001	Steering Wheel Assembly	1
205	ZT4200S	2829473001	Front Frame Assembly	1
206	ZT4200S	2829823001	Parking Assembly	1
207	ZT4200S	2827360002	Deck Unit	1
208	ZT4200S	2829174002	Left Cover Assembly	1
209	ZT4200S	2827270002	Rear Guard Assembly	1
210	ZT4200S	2829374002	Right Cover Assembly	1
211	ZT4200S	2827269001	Damping Seat Assembly	1
212	ZT4200S	2829179001	Accelerator	1
214	ZT4200S	2829672001	Wrench Tool Set	1
201-1	ZT4200S	3130889001	Rear Transparent Guard	1
201-2	ZT4200S	3660705002	Compression Spring	1
201-3	ZT4200S	3130964001	Latch	1
201-4	ZT4200S	3706580001	Clamp	2
201-5	ZT4200S	5620157006	Hexagon Socket Screw	8
201-6	ZT4200S	5660305001	E Ring	4
201-7	ZT4200S	3553477001	Spindle	2
201-8	ZT4200S	3707335001	BMS Electric Assembly	1
201-9	ZT4200S	3707351001	Shrinkable Tube	2

No.	Product Model#	Part Number	Description	Qty
201-10	ZT4200S	5610388001	Magnet Ring	2
201-11	ZT4200S	3707336001	Bottom Support	1
201-12	ZT4200S	3707349001	Hexalobular Socket Thread Forming Screw	14
201-13	ZT4200S	3660805001	Hook	6
201-14	ZT4200S	5670559001	Bottom Support	1
201-401	ZT4200S	2827772001	Battery Box Cover Assembly	1
202-1	ZT4200S	4861094001	Communication Wire Harness	1
202-2	ZT4200S	4860797001	Type-C Male-male Wire	1
202-3	ZT4200S	3700367001	Cord Anchorage	1
202-4	ZT4200S	4860751002	Motor Wire Harness	2
202-5	ZT4200S	4860785001	Motor Wiring Harness	1
202-6	ZT4200S	4860792004	Type-C Male-male Wire	3
202-7	ZT4200S	3131055001	Wire Holder	4
202-8	ZT4200S	3580076001	Rubber Sleeve	4
202-9	ZT4200S	4860792003	Type-C Male-male Wire	1
202-10	ZT4200S	4860786001	Motor Wiring Harness	1
202-11	ZT4200S	2827424002	Electrical Assembly	4
202-12	ZT4200S	3707400001	Base Plate	1
202-13	ZT4200S	3134156001	PCB Box	1
202-14	ZT4200S	4860791003	Type-C Male-female Wire	1
202-15	ZT4200S	5610305002	Tapping Screw	4
202-16	ZT4200S	3900369002	PCB Box	1
202-17	ZT4200S	5610021001	Tapping Screw	1
202-18	ZT4200S	4891968001	Connecting PCBA	1
202-19	ZT4200S	5640373001	Hex Serrated Flange Screw	1
202-20	ZT4200S	4860768001	Host Power Wire Harness	1
202-21	ZT4200S	5630015001	Prevailing Torque Hexagon Nut	1
202-22	ZT4200S	5630006003	Prevailing Torque Hexagon Nut	8
202-23	ZT4200S	4860793001	Host Power Wire Harness	1
202-24	ZT4200S	5620618001	Screw with Washer	16
202-25	ZT4200S	3707407001	Cord Anchorage	3
202-26	ZT4200S	4860751001	Motor Wire Harness	2
202-27	ZT4200S	4860789001	Wire Harness	1
202-28	ZT4200S	4860793002	Host Power Wire Harness	1
202-29	ZT4200S	4860788001	Wire Harness	1
202-30	ZT4200S	5620051009	Screw	8
202-31	ZT4200S	5620377003	Hexagon Socket Screw	27
203-1	ZT4200S	3707424001	Connecting Plate	1
203-2	ZT4200S	5640361001	Hexagon Flange Head Thread Forming	4
203-3	ZT4200S	5640247002	Hexagon Head Bolt	8
203-4	ZT4200S	2730398001	DC Motor	2
203-5	ZT4200S	3553570001	Brake Disc	2
203-6	ZT4200S	3521235001	Friction Block	4
203-7	ZT4200S	3707277001	Scaleboard	2
203-8	ZT4200S	5670552001	Parallel Pin	4
203-9	ZT4200S	5640009003	Hexagon Head Bolt	8
203-10	ZT4200S	3707423001	Connecting Plate	1
203-11	ZT4200S	5630244004	Nut	4
203-401	ZT4200S	2827439002	Gear Case Assembly	1
203-402	ZT4200S	2827528002	Right Bracket Assembly	1
203-403	ZT4200S	2827525002	Left Bracket Assembly	1
204-1	ZT4200S	3708720001	Switch-plate	2
204-2	ZT4200S	4870949001	Switch Assembly	1

No.	Product Model#	Part Number	Description	Qty
204-3	ZT4200S	4861093001	Spring Wire	1
204-4	ZT4200S	5610925001	Hexagon Socket Rubber Head Cap Screw	3
204-5	ZT4200S	2829161001	Damper	1
204-6	ZT4200S	2829501001	Roller Assembly	1
204-7	ZT4200S	3800215001	Timing Belt	1
204-8	ZT4200S	2831381001	Angle Measuring Electric Assembly	1
204-401	ZT4200S	2829534001	Control Assembly	1
204-402	ZT4200S	2829590001	Belt Drive Assembly	1
205-1	ZT4200S	4860770001	Lamp Wire Harness	2
205-2	ZT4200S	2831393001	Control Electric Assembly	1
205-3	ZT4200S	4891966002	LED PCBA	1
205-4	ZT4200S	5610021001	Tapping Screw	10
205-5	ZT4200S	4891967002	LED PCBA	1
205-6	ZT4200S	3900346002	Transparent Cap Assembly	1
205-7	ZT4200S	3900344002	Transparent Guard Assembly	1
205-8	ZT4200S	3900345002	Transparent Guard Assembly	1
205-9	ZT4200S	3130877001	Front Frame	1
205-10	ZT4200S	5610305002	Tapping Screw	4
206-1	ZT4200S	2829824001	Switch Box Assembly	1
206-2	ZT4200S	5630371001	Prevailing Torque Type Hexagon Lock Nut with Flange	2
206-3	ZT4200S	3707284001	Pedal	1
206-4	ZT4200S	5640354001	Flange Bolt-Large Series	2
206-5	ZT4200S	3580060001	Rubber Sleeve	1
206-6	ZT4200S	5620352002	Screw with Washer	2
206-7	ZT4200S	3130932001	Seal Packing Case	1
206-8	ZT4200S	5620377003	Hexagon Socket Screw	4
207-1	ZT4200S	2730319001	DC Motor	2
207-2	ZT4200S	2823670002	Chute Deflector Assembly	1
207-3	ZT4200S	5630244004	Nut	5
207-4	ZT4200S	5640352001	Hexagon Flange Bolt	2
207-5	ZT4200S	3131072001	Roller Wheel	2
207-6	ZT4200S	5630371001	Prevailing Torque Type Hexagon Lock Nut with Flange	2
207-7	ZT4200S	5640222001	Hexagon Flange Bolt	8
207-8	ZT4200S	3580113001	Flange	2
207-9	ZT4200S	3707399001	Blade	2
207-10	ZT4200S	5650510001	Washer	2
207-11	ZT4200S	5640226001	Flange Bolt	2
207-12	ZT4200S	5610388001	Hexalobular Socket Thread Forming Screw	2
207-13	ZT4200S	5690141001	O Ring	1
207-14	ZT4200S	2827070001	Deck Unit	1
207-15	ZT4200S	5640357001	Semicircular Head Square Neck Bolt	5
207-16	ZT4200S	3131048001	Baffle Strip	1
207-401	ZT4200S	2823718002	Outlet Nozzle Assembly	1
208-1	ZT4200S	2245883001	Nameplate	1
208-2	ZT4200S	4891973002	USB PCBA	1
208-3	ZT4200S	4891964001	USB PCBA	1
208-4	ZT4200S	2830790001	LED Electric Assembly	1
208-5	ZT4200S	5620377003	Hexagon Socket Screw	18
208-6	ZT4200S	2245881001	Nameplate	1
208-7	ZT4200S	2240166003	Nameplate	1
208-8	ZT4200S	2245884001	Nameplate	1

No.	Product Model#	Part Number	Description	Qty
208-9	ZT4200S	3131104001	Left Cover Plate	1
208-10	ZT4200S	3130901002	Left Cover	1
208-11	ZT4200S	5610305002	Tapping Screw	4
208-12	ZT4200S	4970354001	Charging Fuse(40A)	1
208-13	ZT4200S	4860796001	Charging Harness Assembly	1
208-14	ZT4200S	4870766001	Switch Assembly	1
208-15	ZT4200S	3660810001	Torsion Spring	2
208-16	ZT4200S	3131010001	Charging Port Cover	1
208-17	ZT4200S	4860771001	Wiring Harness	1
208-18	ZT4200S	2244798001	Nameplate	1
208-401	ZT4200S	2829176002	Storage Box Assembly	1
208-402	ZT4200S	2829175002	Left Cover Set	1
209-1	ZT4200S	2827628001	L R Indicator Cover Set	1
209-2	ZT4200S	5620377003	Hexagon Socket Screw	6
209-3	ZT4200S	3707406001	Wire Holder	2
209-4	ZT4200S	3900385001	Guard Assembly	1
209-5	ZT4200S	2830770001	LED Electric Assembly	1
210-1	ZT4200S	2245884002	Nameplate	1
210-2	ZT4200S	3131105001	Right Cover Plate	1
210-3	ZT4200S	3130909002	Right Cover	1
210-4	ZT4200S	4860777001	Wiring Harness	1
210-5	ZT4200S	3700367001	Cord Anchorage	4
210-6	ZT4200S	5610021001	Tapping Screw	4
210-7	ZT4200S	2244798002	Nameplate	1
210-8	ZT4200S	2244806001	Nameplate	1
210-9	ZT4200S	5620377003	Hexagon Socket Screw	18
210-10	ZT4200S	3322835001	Phone Box Cover	1
210-11	ZT4200S	4870764001	Push Switch	1
210-12	ZT4200S	4870762001	Push Switch	1
210-13	ZT4200S	2830790001	LED Electric Assembly	1
210-401	ZT4200S	2829373001	Control Panel Box Assembly	1
211-1	ZT4200S	3402283001	Armrest	2
211-2	ZT4200S	5610388001	Hexalobular Socket Thread Forming Screw	4
211-3	ZT4200S	5640354001	Flange Bolt-Large Series	6
211-4	ZT4200S	4870579001	Switch Assembly	1
211-5	ZT4200S	5640222001	Hexagon Flange Bolt	2
211-6	ZT4200S	3550110002	Washer	4
211-7	ZT4200S	2827473001	Guide Rail Assembly	1
211-8	ZT4200S	5620021004	Hexagon Socket Screw	4
211-401	ZT4200S	2827759001	Right Armrest Assembly	1
211-402	ZT4200S	2827760001	Left Armrest Assembly	1
212-1	ZT4200S	3133799001	Dust Cover	1
212-2	ZT4200S	3403428001	Pedal Sheath	1
212-3	ZT4200S	2831380001	Accelerator PCBA	1
212-4	ZT4200S	5620377003	Hexagon Socket Screw	5