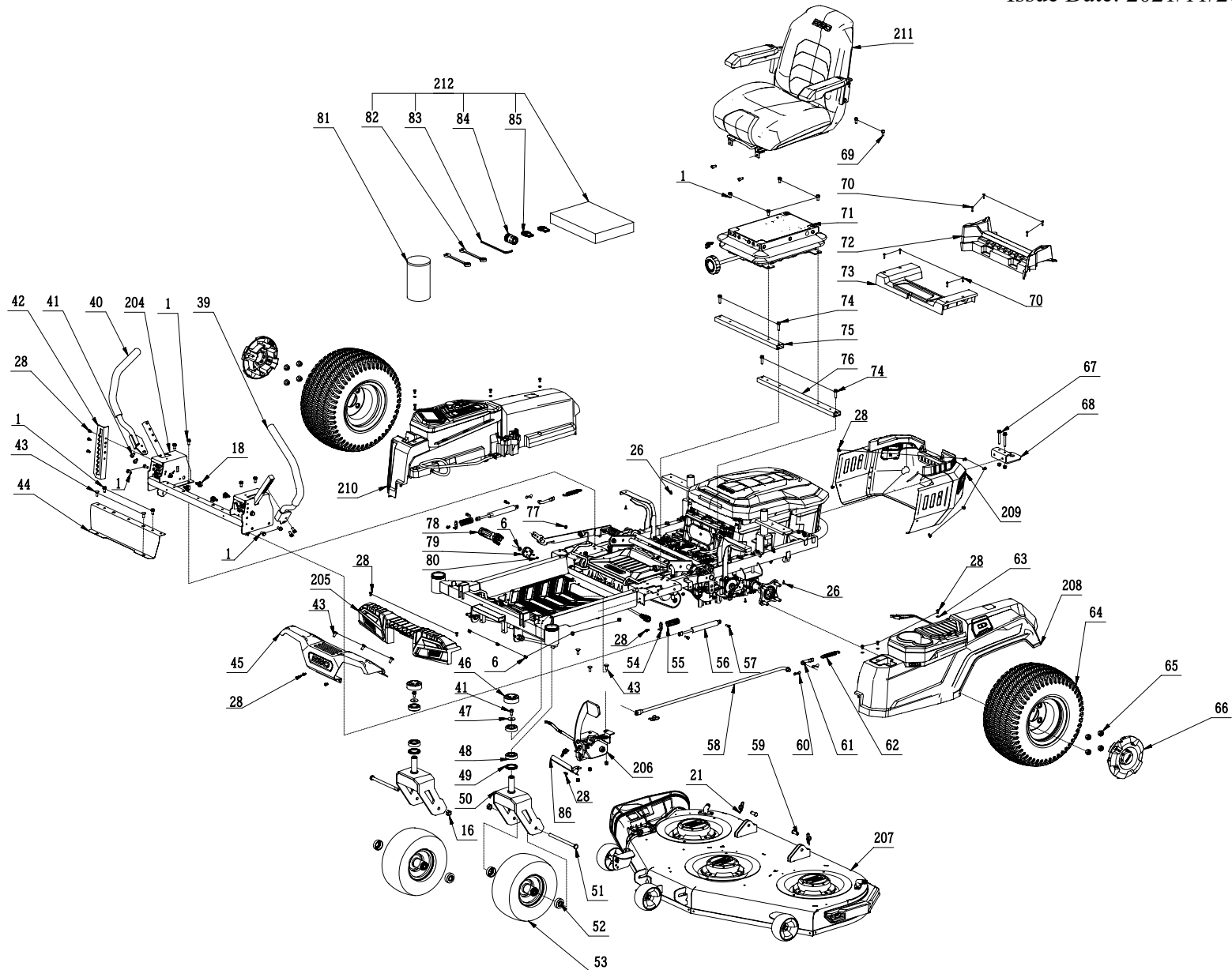
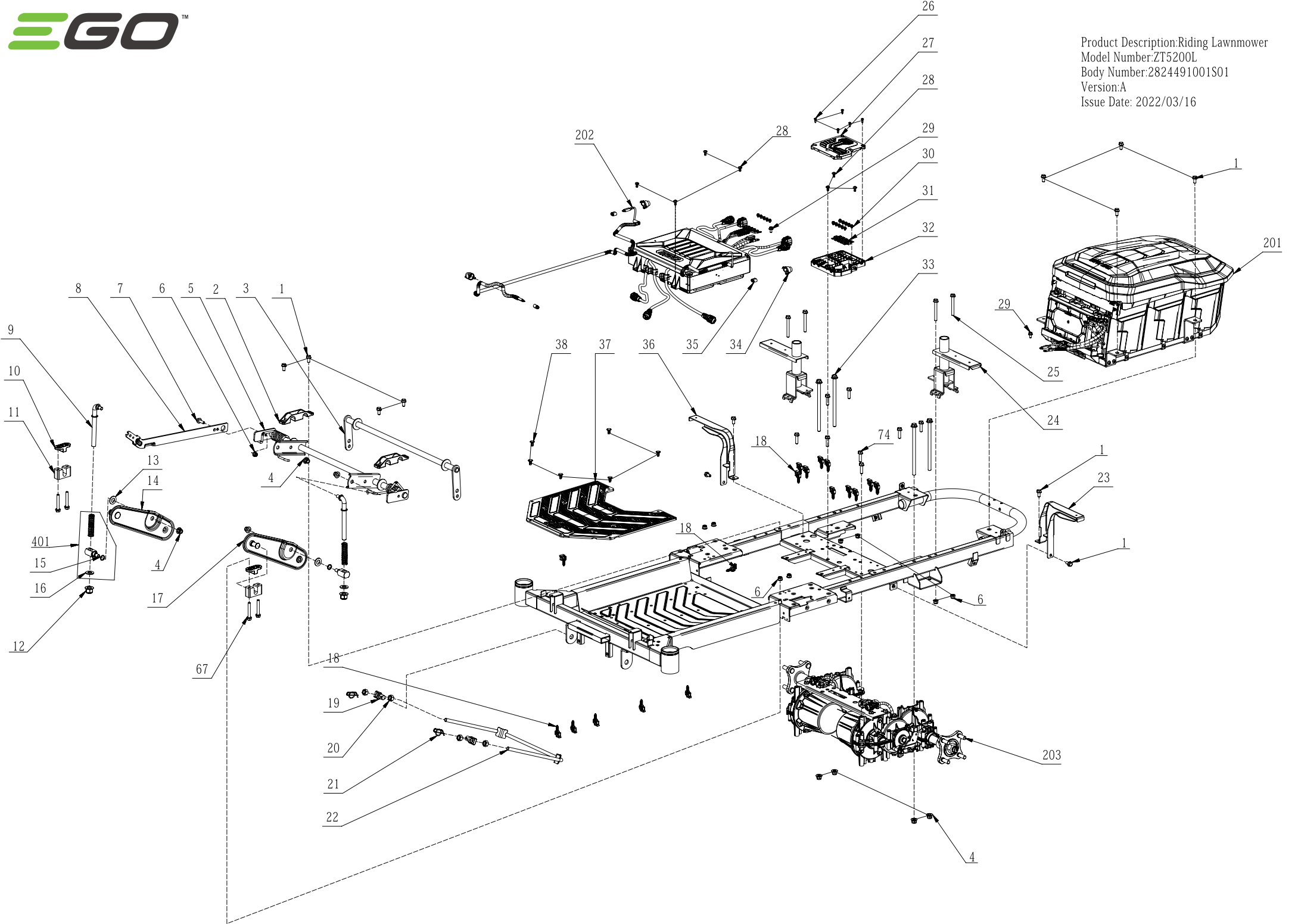




Product Description: Zero Turn Riding Mower
Model Number: ZT5200L
Body Number: 1000041001S01
Version: A
Issue Date: 2021/11/20

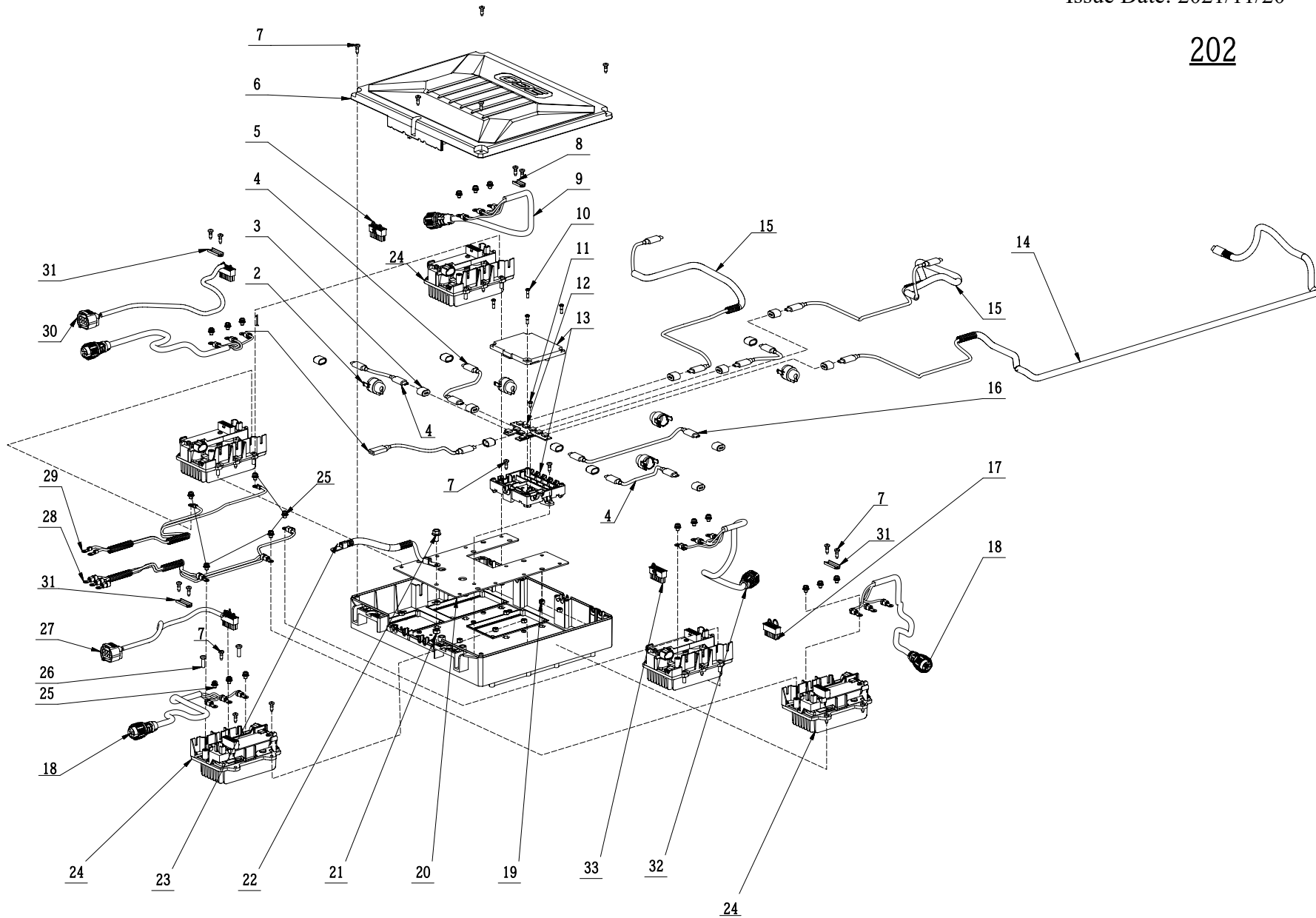






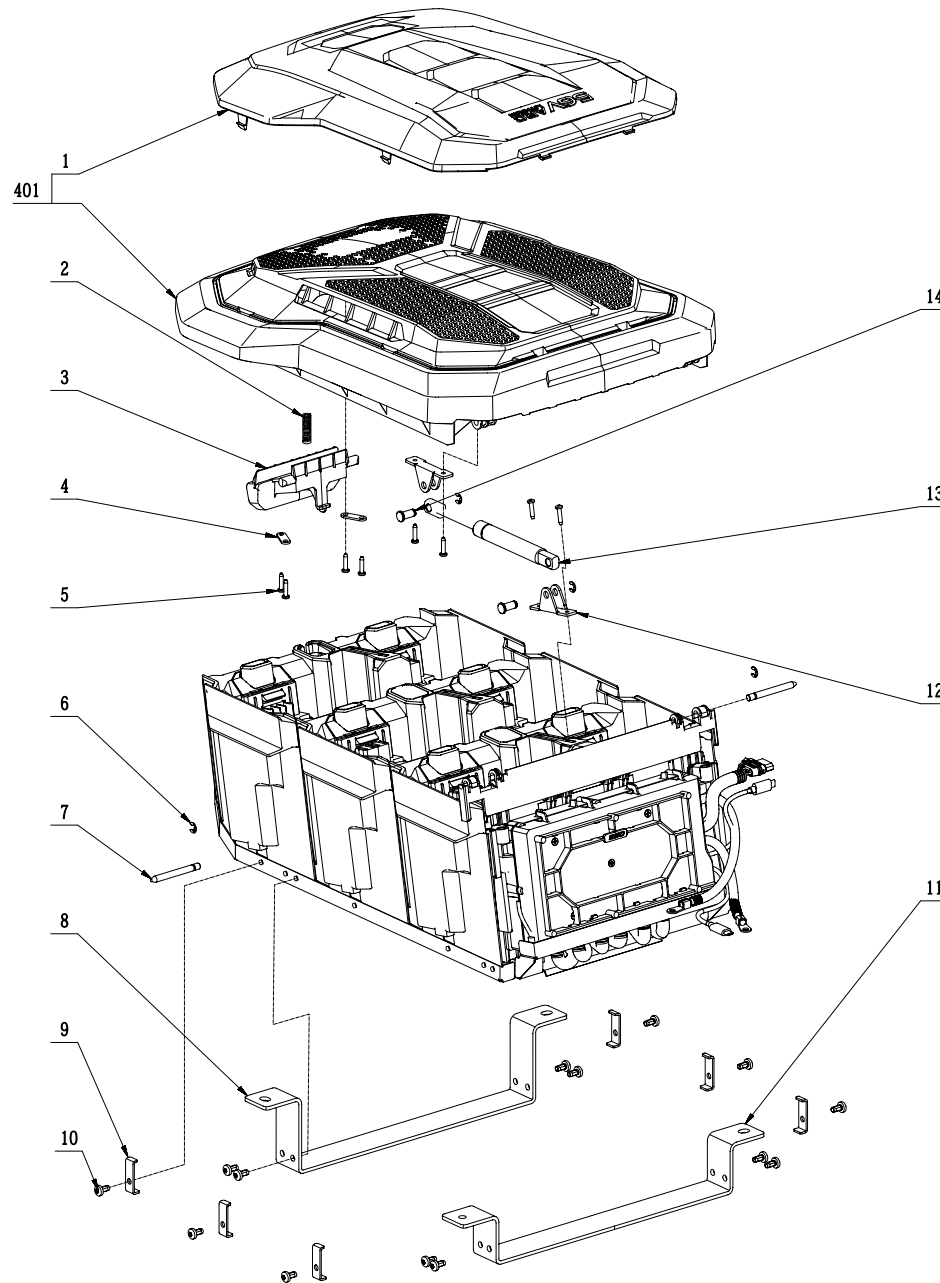
Product Description: Zero Turn Riding Mower
Model Number: ZT5200L
Body Number: 2824205001S01
Version: A
Issue Date: 2021/11/20

202





Product Description: Zero Turn Riding Mower
Model Number: ZT5200L
Body Number: 2827138002S01
Version: A
Issue Date: 2021/11/20

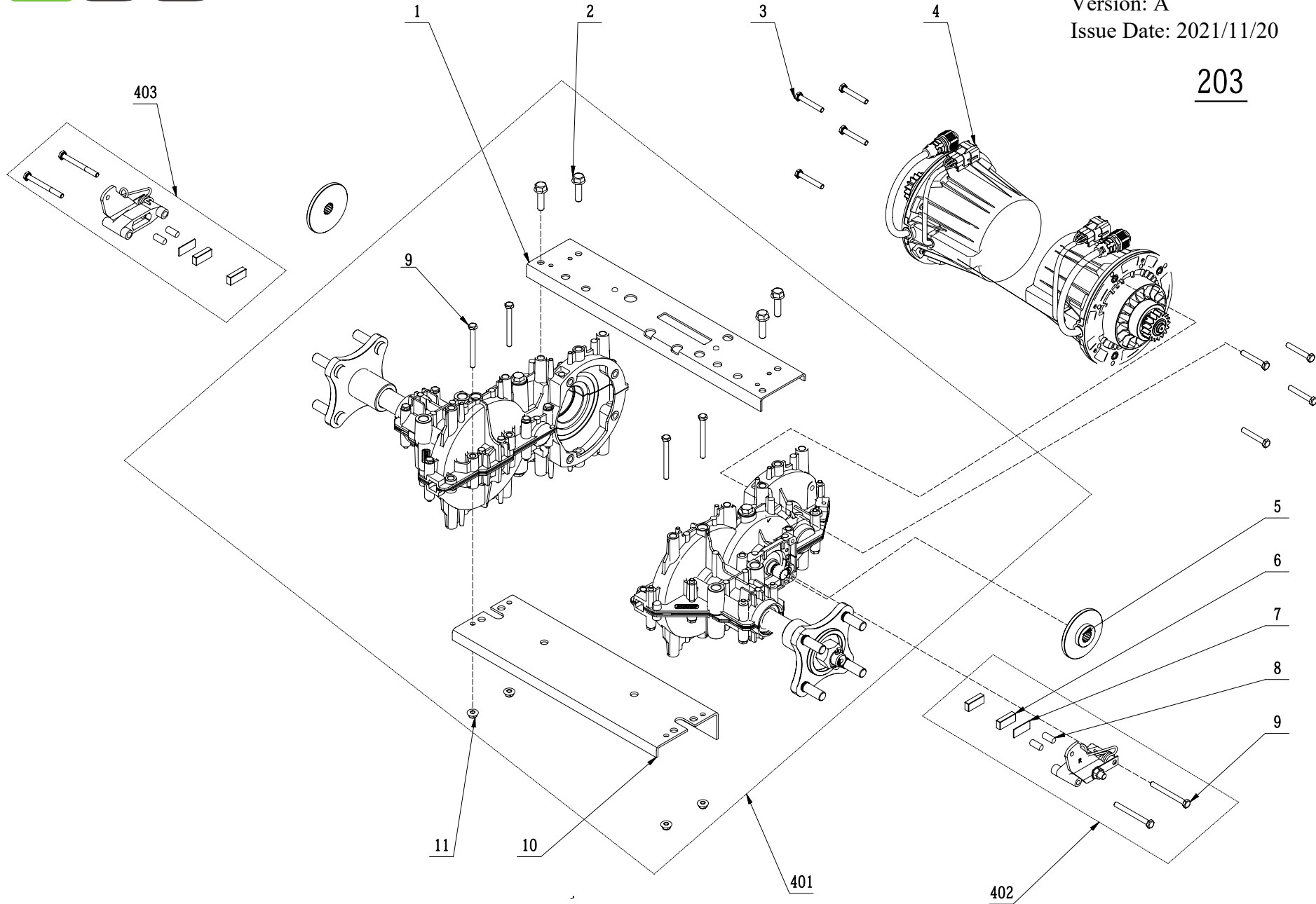


201



Product Description: Zero Turn Riding Mower
Model Number: ZT5200L
Body Number: 2827266001S01
Version: A
Issue Date: 2021/11/20

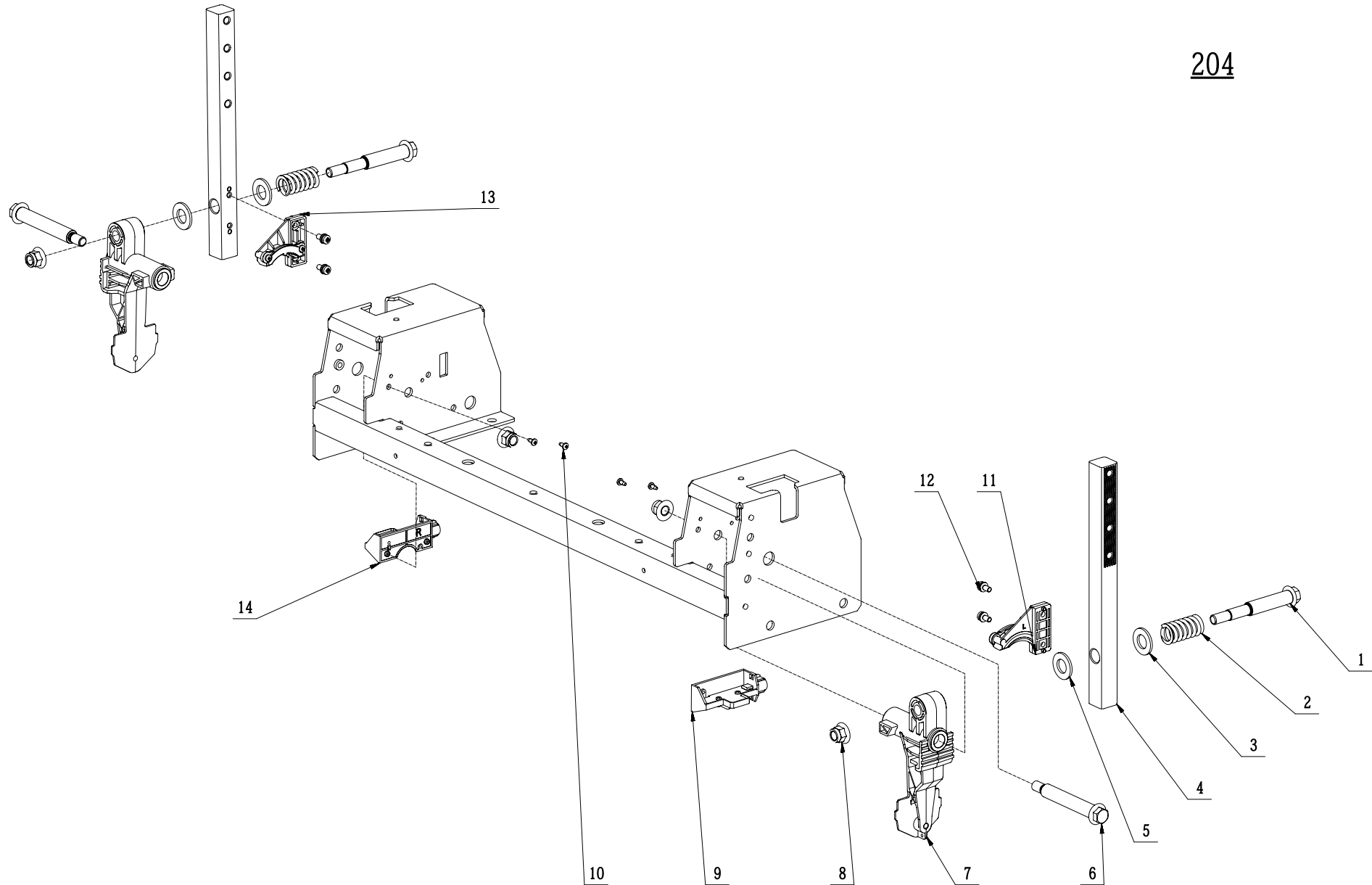
203





Product Description: Zero Turn Riding Mower
Model Number: ZT5200L
Body Number: 2827267002S01
Version: A
Issue Date: 2021/11/20

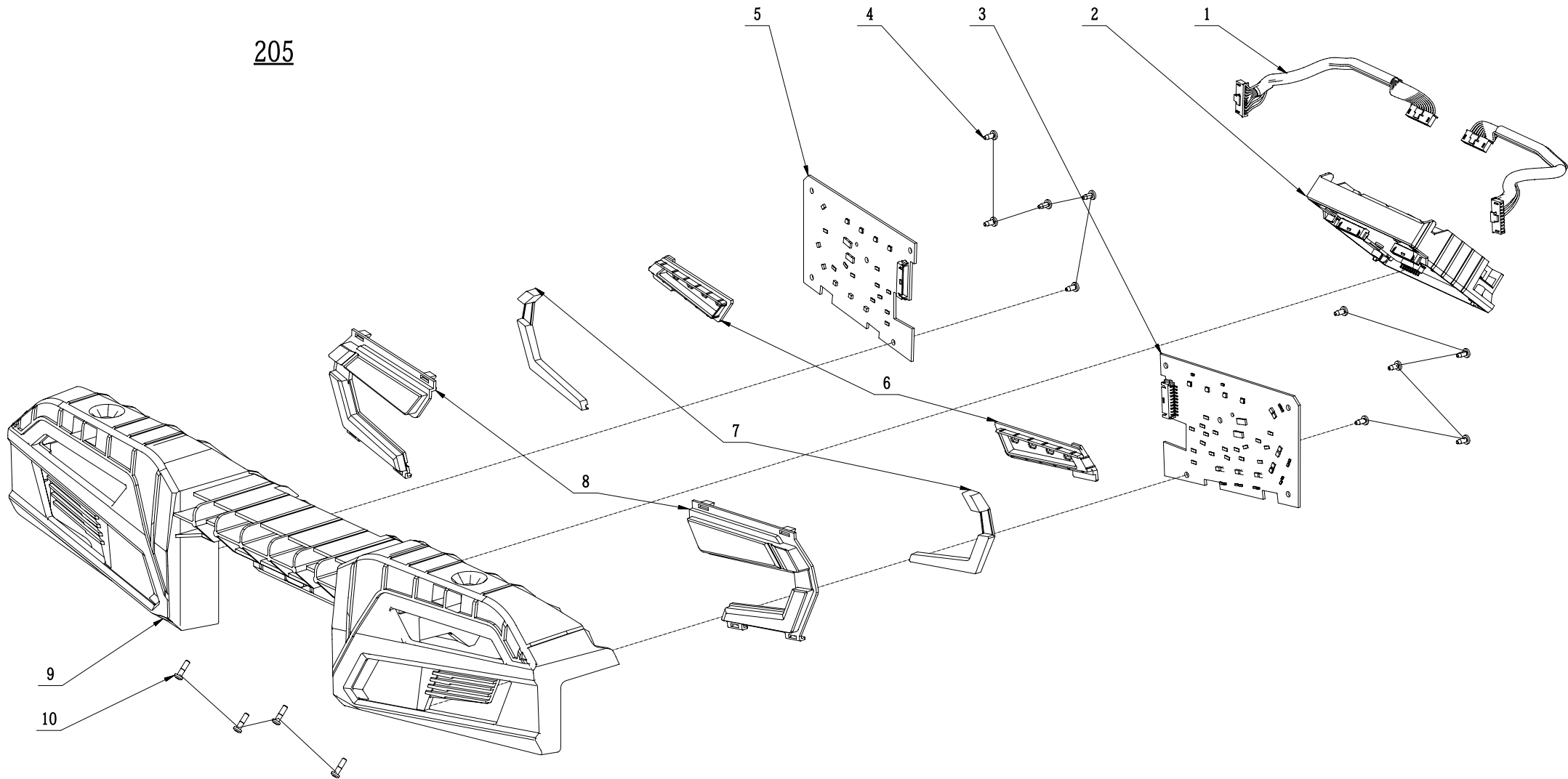
204





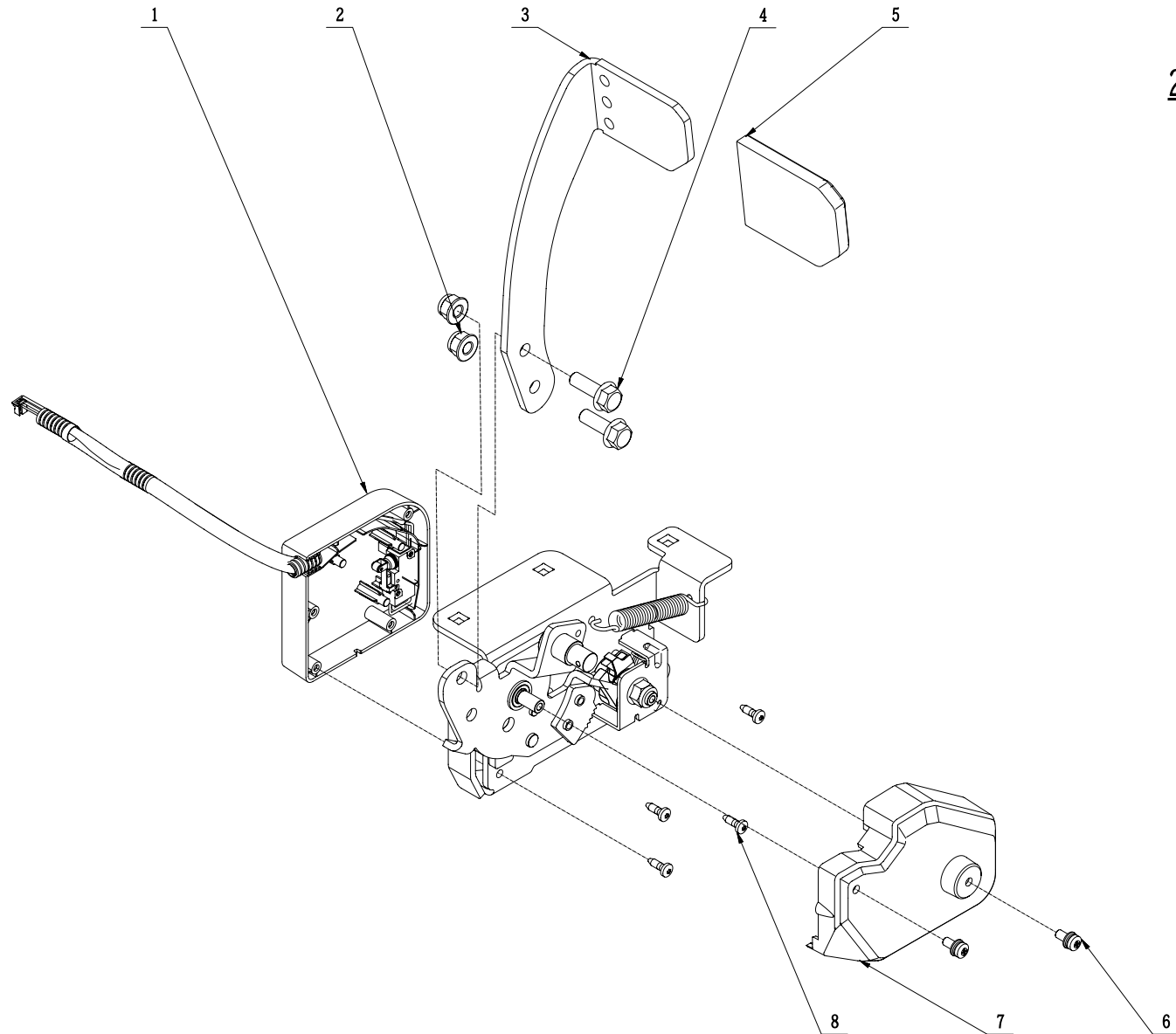
Product Description: Zero Turn Riding Mower
Model Number: ZT5200L
Body Number: 2827044001S01
Version: A
Issue Date: 2021/11/20

205





Product Description: Zero Turn Riding Mower
Model Number: ZT5200L
Body Number: 2827245002S01
Version: A
Issue Date: 2021/11/20

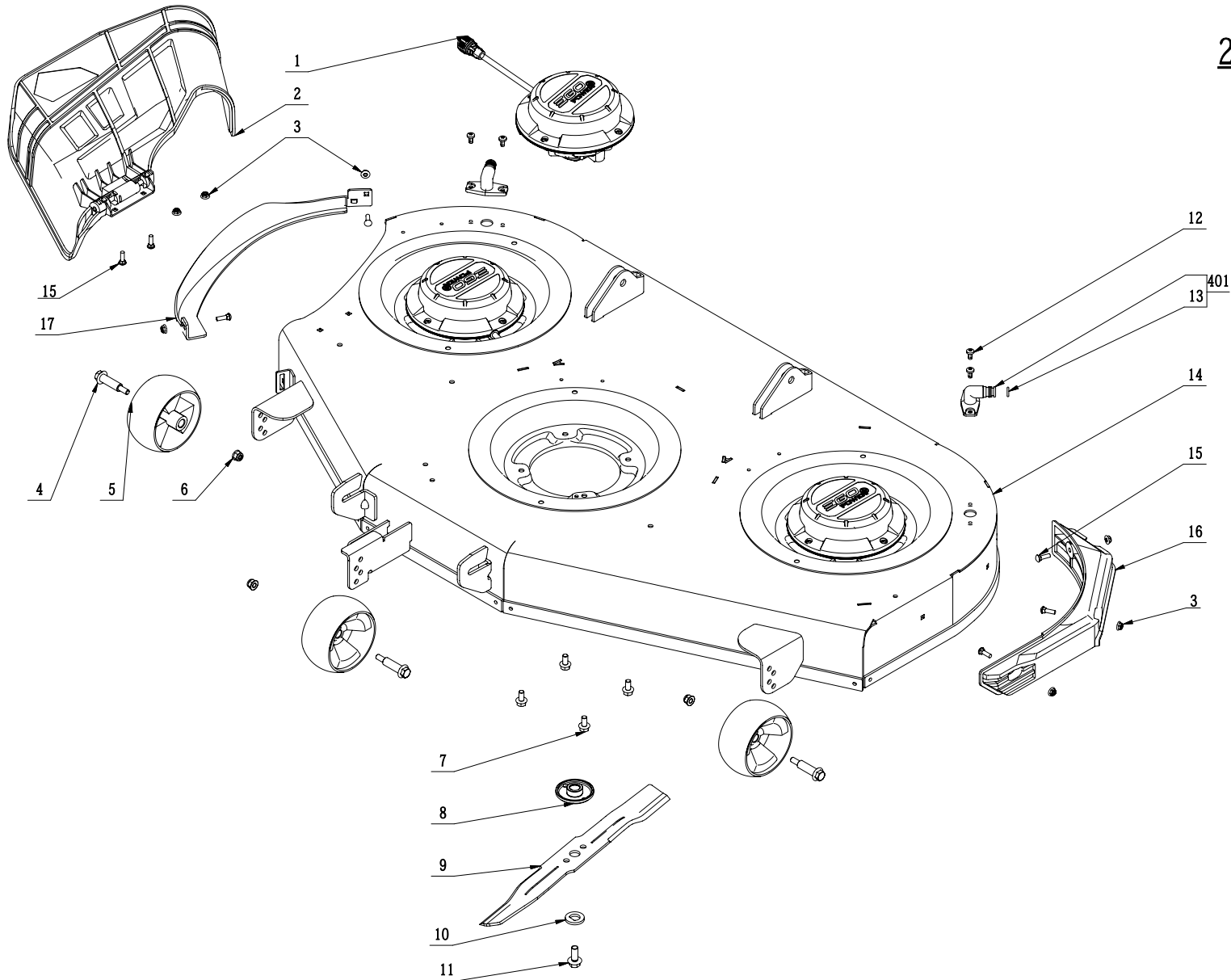


206



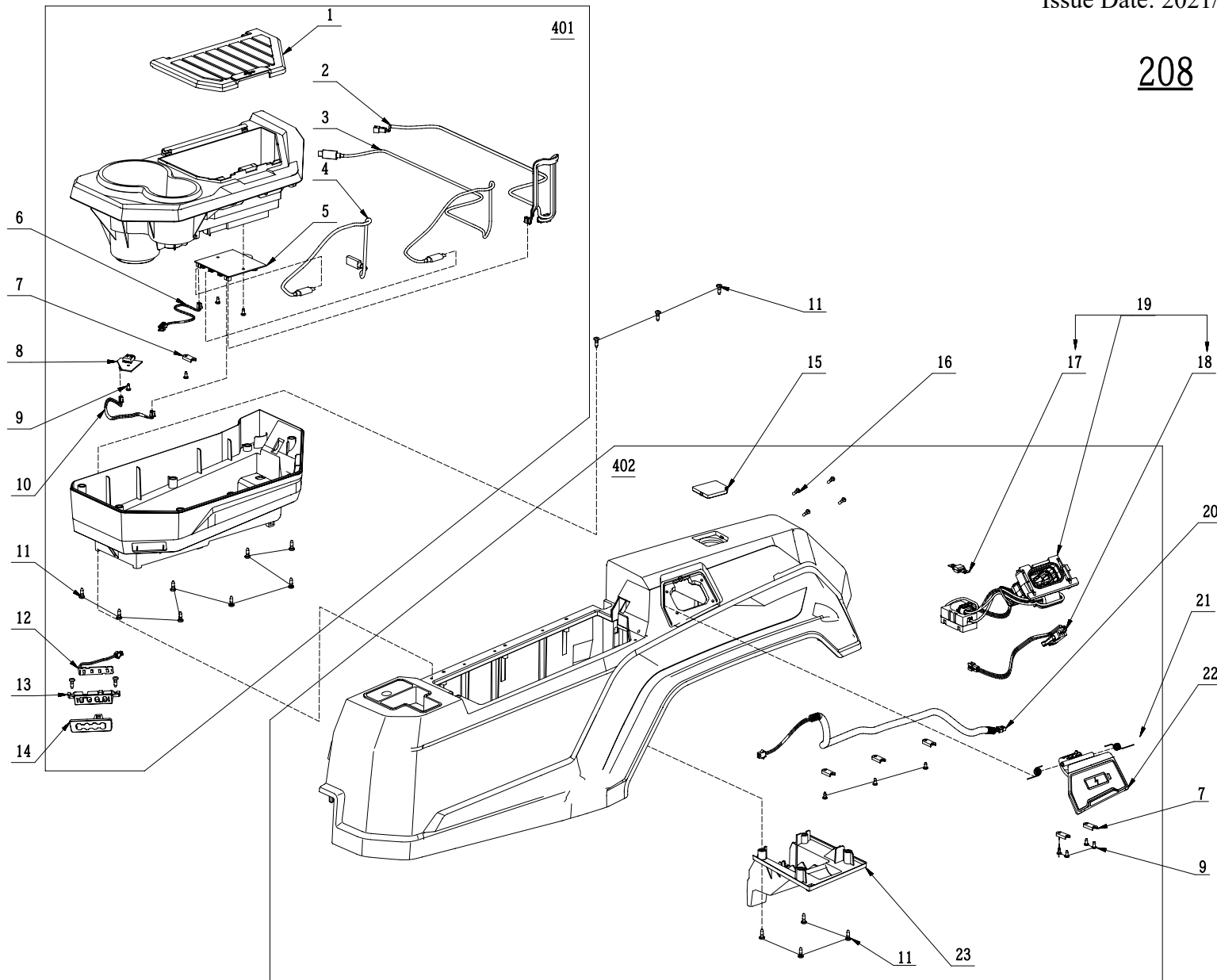
Product Description: Zero Turn Riding Mower
Model Number: ZT5200L
Body Number: 2824284001S01
Version: A
Issue Date: 2021/11/20

207





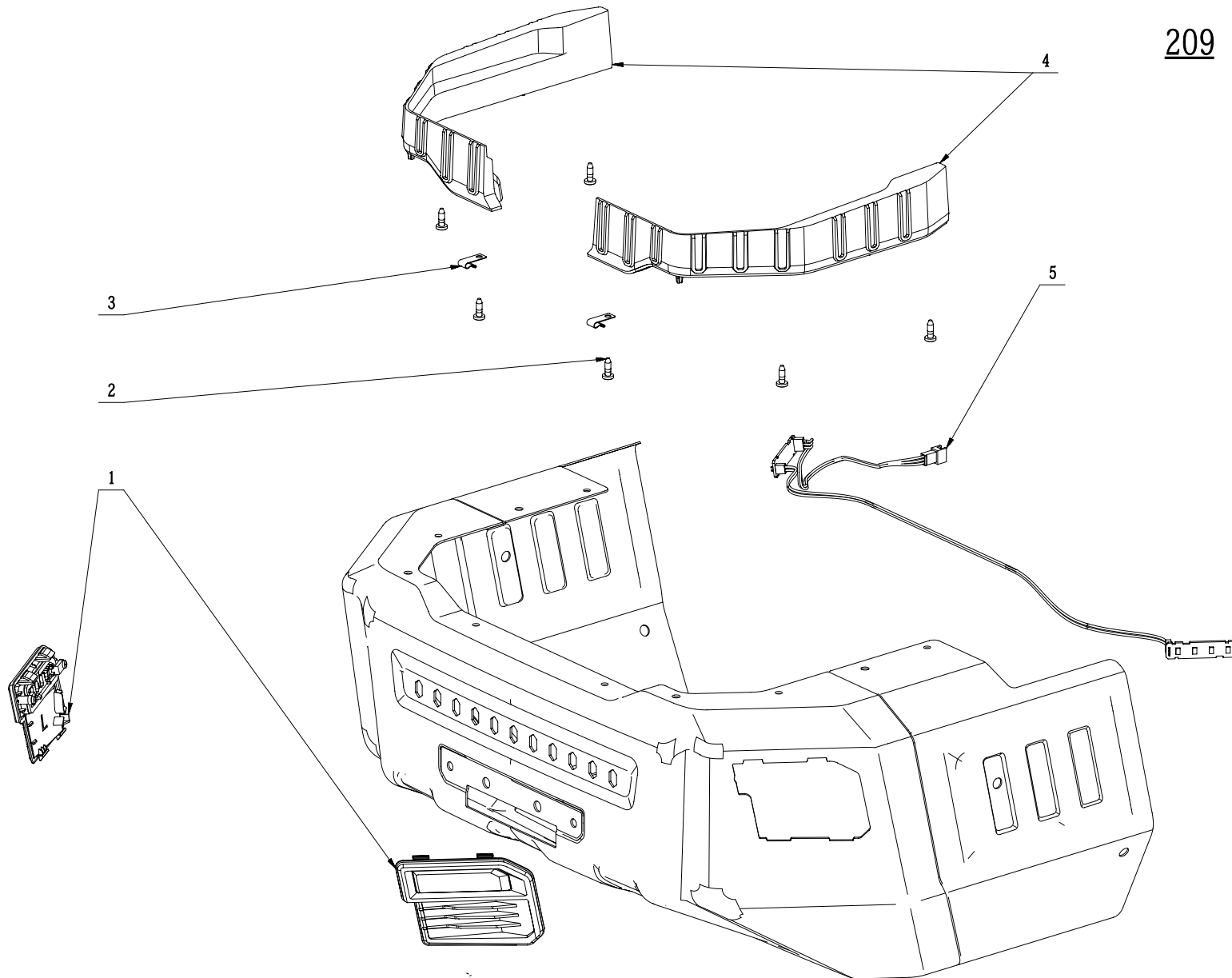
Product Description: Zero Turn Riding Mower
Model Number: ZT5200L
Body Number: 2827406002S01
Version: A
Issue Date: 2021/11/20



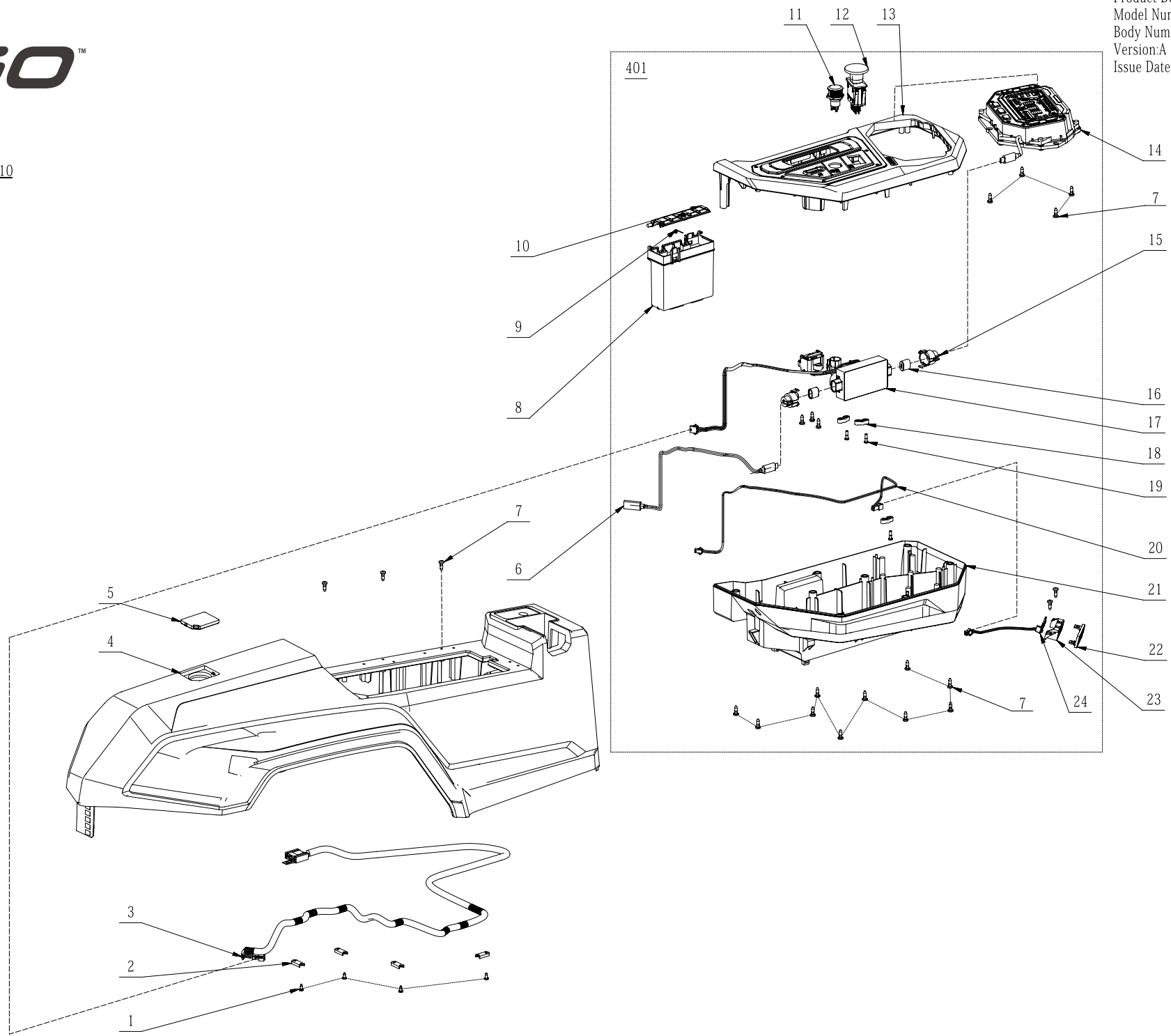


Product Description: Zero Turn Riding Mower
Model Number: ZT5200L
Body Number: 2827270002S01
Version: A
Issue Date: 2021/11/20

209



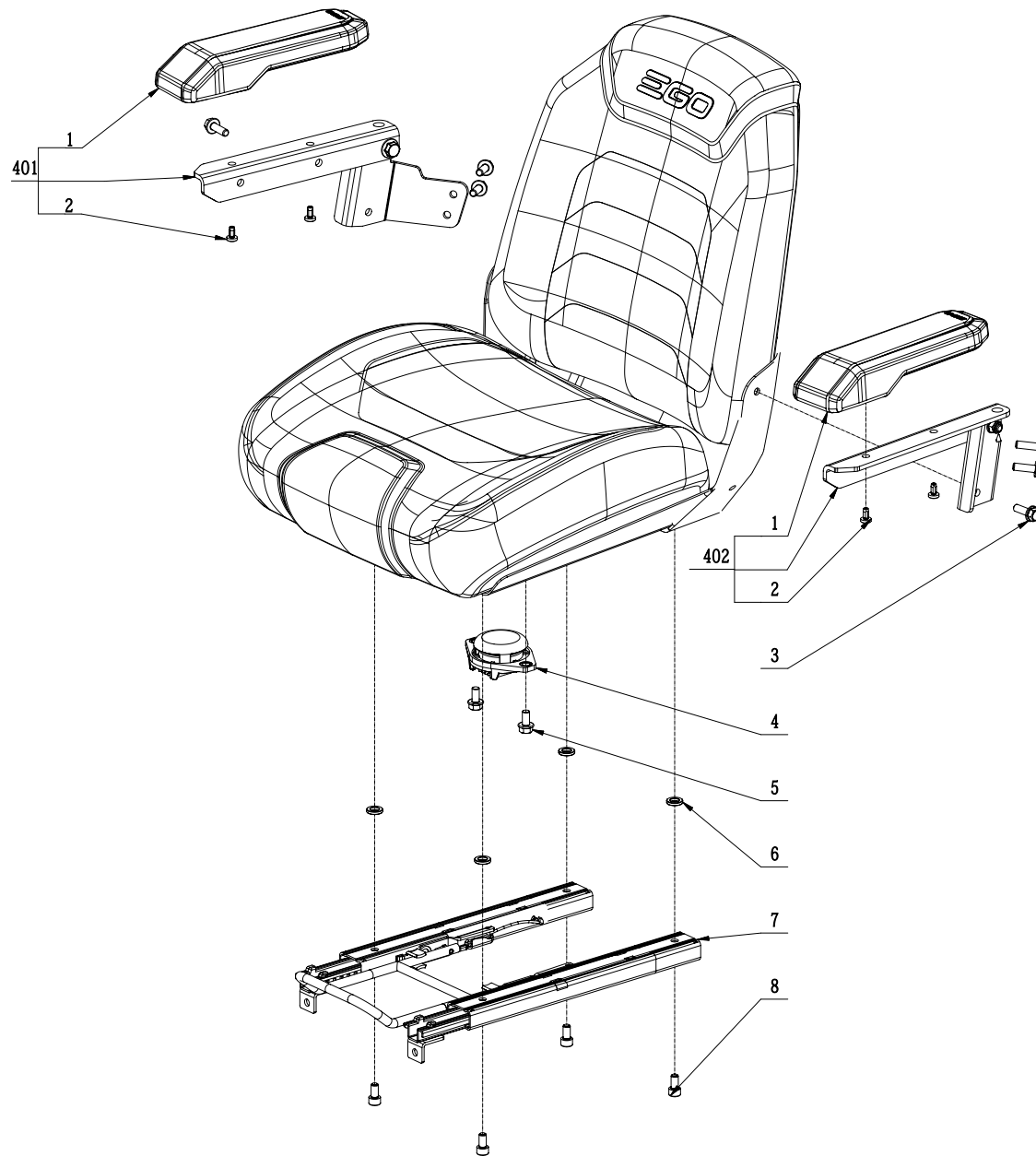
210





Product Description: Zero Turn Riding Mower
Model Number: ZT5200L
Body Number: 2827269001S01
Version: A
Issue Date: 2021/11/20

211



No.	Product Model#	Part Number	Description	Qty
1	ZT5200L	5640360001	Hexagon Flange Head Thread Forming Screw	26
2	ZT5200L	3130972001	Fixed Unit	2
3	ZT5200L	2827067001	Rocker Assembly	1
4	ZT5200L	5630267001	Nut	8
5	ZT5200L	2828758001	Lift Shaft Assembly	1
6	ZT5200L	5630371001	Prevailing Torque Type Hexagon Lock Nut with Flange	20
7	ZT5200L	5640354001	Flange Bolt-Large Series	1
8	ZT5200L	3707330001	Handle Lever	1
9	ZT5200L	2824738001	Connecting Rod Assembly	2
10	ZT5200L	3521236001	Support Base	2
11	ZT5200L	3423345001	Clamp Block	2
13	ZT5200L	5650740001	Plain Washer	2
14	ZT5200L	2827074001	Right Lift Arm Assembly	1
15	ZT5200L	5690532001	Seal Ring	2
16	ZT5200L	5650741001	Plain Washer	2
17	ZT5200L	2827075001	Left Lift Arm Assembly	1
18	ZT5200L	3131157001	Wire Holder	24
19	ZT5200L	3553471001	Connecting Rod Spindle	2
20	ZT5200L	5630022004	Hexagon Nut	4
21	ZT5200L	5670561001	Split Pin	5
22	ZT5200L	2824161001	Hanger Rod Assembly	1
23	ZT5200L	3707365001	Left Supporting Plate	1
24	ZT5200L	2827182001	Support Assembly	2
25	ZT5200L	5640363001	Flange Bolt-Large Series	4
26	ZT5200L	5620377003	Hexagon Socket Screw	9
27	ZT5200L	3131053001	Fuse PCB Box	1
28	ZT5200L	5610388001	Hexalobular Socket Thread Forming Screw	31
29	ZT5200L	5640373001	Hex Serrated Flange Screw	2
30	ZT5200L	5620618001	Screw with Washer	15
31	ZT5200L	4970355001	Motor Control System Fuse(80A)	5
32	ZT5200L	2824790001	Base Assembly	1
33	ZT5200L	5640355001	Flange Bolt-Large Series	4
34	ZT5200L	3131055001	Wire Holder	3

No.	Product Model#	Part Number	Description	Qty
35	ZT5200L	3580076001	Rubber Sleeve	3
36	ZT5200L	3707366001	Right Supporting Plate	1
37	ZT5200L	3131403001	Base Foot	1
38	ZT5200L	3131528001	Hook	6
39	ZT5200L	2827261001	Left Handle Set	1
40	ZT5200L	2827272001	Right Handle Set	1
41	ZT5200L	5640222001	Hexagon Flange Bolt	6
42	ZT5200L	3707328001	Depth Stop Plate	1
43	ZT5200L	5640358001	Small Round Head Low Square Neck Bolt	8
44	ZT5200L	3707339001	Baffle	1
45	ZT5200L	2827464002	Footrest Pedal Assembly	1
46	ZT5200L	3130955001	Upper Dust Cover	2
47	ZT5200L	5650739001	Larger Washer	2
48	ZT5200L	5700402001	Deep Groove Ball Bearing	4
49	ZT5200L	5690493001	Seal Ring	2
50	ZT5200L	2824320001	Front Wheel Bracket Assembly	2
51	ZT5200L	5640464001	Hexagon Head Bolt	2
52	ZT5200L	3130956001	Bearing Cover	4
53	ZT5200L	2824251001	Front Wheel Set	2
54	ZT5200L	3707333001	Fixing Board	2
55	ZT5200L	3660808001	Compression Spring	2
56	ZT5200L	2827147001	Damper	2
57	ZT5200L	5640350001	Hexagon Head Bolt	4
58	ZT5200L	2827083001	Connecting Rod Assembly	1
59	ZT5200L	5670553001	Pin Shaft	2
60	ZT5200L	5670563001	R Pin	3
61	ZT5200L	2827086001	Rear Connecting Rod Set	2
62	ZT5200L	3660793001	Tension Spring	2
63	ZT5200L	5650016007	Plain Washer	8
64	ZT5200L	2828736001	Rear Wheel Set	2
65	ZT5200L	5630372001	Conical Nut	8
66	ZT5200L	3131306001	Rear Hubcap	2
67	ZT5200L	5640353001	Flange Bolt-Large Series	6

No.	Product Model#	Part Number	Description	Qty
68	ZT5200L	3707449001	Hitch	1
69	ZT5200L	5620021004	Hexagon Socket Screw	4
70	ZT5200L	5620453003	Tapping Screw	8
71	ZT5200L	2827209001	Shock Absorber	1
72	ZT5200L	3130957001	Rear Cover	1
73	ZT5200L	3130950001	Lid Case	1
74	ZT5200L	5640361001	Hexagon Flange Head Thread Forming Screw	12
75	ZT5200L	3707397001	Base	1
76	ZT5200L	3707398001	Beam Bottom Support	1
77	ZT5200L	5630244004	Nut	2
78	ZT5200L	3403156001	Adjusting Handle	1
79	ZT5200L	3131251001	Handle Cover	1
80	ZT5200L	5610010003	Tapping Screw	2
81	ZT5200L	5970136002	Grease	1
82	ZT5200L	5680137001	Combination Wrench	2
83	ZT5200L	5680145001	Hexagon Socket Screw Key	1
84	ZT5200L	2823689001	Quick Connect Coupling	1
85	ZT5200L	2827673001	Key Assembly	2
86	ZT5200L	3708360001	Bracket	1
401	ZT5200L	2825711001	Fixed set	2
201	ZT5200L	2827138002	Battery Box Assembly	1
202	ZT5200L	2824205001	Control Box Assembly	1
203	ZT5200L	2827266001	Drive Train Assembly	1
204	ZT5200L	2827267002	Control Assembly	1
205	ZT5200L	2827044001	Front Frame Assembly	1
206	ZT5200L	2827245002	Parking Assembly	1
207	ZT5200L	2824284001	Deck Unit	1
208	ZT5200L	2827406002	Left Cover Assembly	1
209	ZT5200L	2827270002	Rear Guard Assembly	1
211	ZT5200L	2827269001	Damping Seat Assembly	1
212	ZT5200L	2521079001	Accessory Box	1
201-1	ZT5200L	3130889001	Rear Transparent Guard	1
201-2	ZT5200L	3660705002	Compression Spring	1

No.	Product Model#	Part Number	Description	Qty
201-3	ZT5200L	3130964001	Latch	1
201-4	ZT5200L	3706580001	Clamp	2
201-5	ZT5200L	5620157006	Hexagon Socket Screw	8
201-6	ZT5200L	5660305001	E Ring	4
201-7	ZT5200L	3553477001	Spindle	2
201-8	ZT5200L	3707335001	Bottom Support	1
201-9	ZT5200L	3707351001	Hook	6
201-10	ZT5200L	5610388001	Hexalobular Socket Thread Forming Screw	14
201-11	ZT5200L	3707336001	Bottom Support	1
201-12	ZT5200L	3707349001	Support Base	2
201-13	ZT5200L	3660805001	Gas Spring	1
201-14	ZT5200L	5670559001	Pin Shaft	2
201-401	ZT5200L	2827772001	Battery Box Cover Assembly	1
202-1	ZT5200L	4860791003	Type-C Male-female Wire	1
202-2	ZT5200L	3131055001	Wire Holder	5
202-3	ZT5200L	3580076001	Rubber Sleeve	14
202-4	ZT5200L	4860792004	Type-C Male-male Wire	4
202-5	ZT5200L	4860785001	Motor Wiring Harness	1
202-6	ZT5200L	3131093001	Close Cover	1
202-7	ZT5200L	5620377003	Hexagon Socket Screw	30
202-8	ZT5200L	3700367001	Cord Anchorage	1
202-9	ZT5200L	4860751002	Motor Wire Harness	2
202-10	ZT5200L	5610305002	Tapping Screw	4
202-11	ZT5200L	5610021001	Tapping Screw	1
202-12	ZT5200L	4891968001	Connecting PCBA	1
202-13	ZT5200L	3900369002	PCB Box	1
202-14	ZT5200L	4860797001	Type-C Male-male Wire	1
202-15	ZT5200L	4860797002	Type-C Male-male Wire	2
202-16	ZT5200L	4860792003	Type-C Male-male Wire	1
202-17	ZT5200L	4860786001	Motor Wiring Harness	1
202-18	ZT5200L	4860751001	Motor Wire Harness	2
202-19	ZT5200L	5630006003	Prevailing Torque Hexagon Nut	10
202-20	ZT5200L	3707400001	Base Plate	1

No.	Product Model#	Part Number	Description	Qty
202-21	ZT5200L	5630015001	Prevailing Torque Hexagon Nut	1
202-22	ZT5200L	5640373001	Hex Serrated Flange Screw	1
202-23	ZT5200L	4860768001	Host Power Wire Harness	1
202-24	ZT5200L	2827424002	Electrical Assembly	5
202-25	ZT5200L	5620618001	Screw with Washer	20
202-26	ZT5200L	5620051009	Screw	10
202-27	ZT5200L	4860788001	Wire Harness	1
202-28	ZT5200L	4861007001	Host Power Wire Harness	1
202-29	ZT5200L	4860793001	Host Power Wire Harness	1
202-30	ZT5200L	4860789001	Wire Harness	1
202-31	ZT5200L	3707407001	Cord Anchorage	3
202-32	ZT5200L	4860751003	Motor Wire Harness	1
202-33	ZT5200L	4861006001	Motor Wiring Harness	1
203-1	ZT5200L	3707424001	Connecting Plate	1
203-2	ZT5200L	5640361001	Hexagon Flange Head Thread Forming Screw	4
203-3	ZT5200L	5640247002	Hexagon Head Bolt	8
203-4	ZT5200L	2730318001	DC Motor	2
203-5	ZT5200L	3553570001	Brake Disc	2
203-6	ZT5200L	3521235001	Friction Block	4
203-7	ZT5200L	3707277001	Scale board	2
203-8	ZT5200L	5670552001	Parallel Pin	4
203-9	ZT5200L	5640009003	Hexagon Head Bolt	8
203-10	ZT5200L	3707423001	Connecting Plate	1
203-11	ZT5200L	5630244004	Nut	4
203-401	ZT5200L	2827439002	Gear Case Assembly	1
203-402	ZT5200L	2827528002	Right Bracket Assembly	1
203-403	ZT5200L	2827525002	Left Bracket Assembly	1
204-1	ZT5200L	5640351001	Hexagon Flange Head Screw with Shoulder	2
204-2	ZT5200L	3660807001	Compression Spring	2
204-3	ZT5200L	5650741001	Plain Washer	2
204-4	ZT5200L	3707358001	Joystick	2
204-5	ZT5200L	5650740001	Plain Washer	2
204-6	ZT5200L	5640349001	Shoulder Bolt	2

No.	Product Model#	Part Number	Description	Qty
204-7	ZT5200L	2827703001	Rotating Lever	2
204-8	ZT5200L	5630267001	Nut	4
204-9	ZT5200L	2827260001	Left Hall PCB Box	1
204-10	ZT5200L	5610021001	Tapping Screw	4
204-11	ZT5200L	2827705002	Magnetic Holder Assembly	1
204-12	ZT5200L	5620352002	Screw with Washer	4
204-13	ZT5200L	2827704002	Magnetic Holder Assembly	1
204-14	ZT5200L	2827259001	Right Hall PCB Box	1
205-1	ZT5200L	4860770001	Lamp Wire Harness	2
205-2	ZT5200L	2827291002	Control Box Assembly	1
205-3	ZT5200L	4891966002	LED PCBA	1
205-4	ZT5200L	5610021001	Tapping Screw	10
205-5	ZT5200L	4891967002	LED PCBA	1
205-6	ZT5200L	3900346002	Transparent Cap Assembly	1
205-7	ZT5200L	3900344002	Transparent Guard Assembly	1
205-8	ZT5200L	3900345002	Transparent Guard Assembly	1
205-9	ZT5200L	3130877001	Front Frame	1
205-10	ZT5200L	5610305002	Tapping Screw	4
206-1	ZT5200L	2827480002	Switch Box Assembly	1
206-2	ZT5200L	5630371001	Prevailing Torque Type Hexagon Lock Nut with Flange	2
206-3	ZT5200L	3707284001	Pedal	1
206-4	ZT5200L	5640354001	Flange Bolt-Large Series	2
206-5	ZT5200L	3580060001	Rubber Sleeve	1
206-6	ZT5200L	5620352002	Screw with Washer	2
206-7	ZT5200L	3130932001	Seal Packing Case	1
206-8	ZT5200L	5620377003	Hexagon Socket Screw	4
207-1	ZT5200L	2730350001	DC Motor	3
207-2	ZT5200L	2824539001	Chute Deflector Assembly	1
207-3	ZT5200L	5630244004	Nut	7
207-4	ZT5200L	5640352001	Hexagon Flange Bolt	3
207-5	ZT5200L	3131072001	Roller Wheel	3
207-6	ZT5200L	5630371001	Prevailing Torque Type Hexagon Lock Nut with Flange	3
207-7	ZT5200L	5640222001	Hexagon Flange Bolt	12

No.	Product Model#	Part Number	Description	Qty
207-8	ZT5200L	3580113001	Flange	3
207-9	ZT5200L	3708357001	Blade	3
207-10	ZT5200L	5650510001	Washer	3
207-11	ZT5200L	5640226001	Flange Bolt	3
207-12	ZT5200L	5610388001	Hexalobular Socket Thread Forming Screw	4
207-13	ZT5200L	5690141001	O Ring	1
207-14	ZT5200L	2824231001	Deck Unit	1
207-15	ZT5200L	5640357001	Semicircular Head Square Neck Bolt	7
207-16	ZT5200L	3133020001	Baffle Strip	1
207-17	ZT5200L	3706747001	Baffle Strip	1
207-401	ZT5200L	2823718002	Outlet Nozzle Assembly	2
208-1	ZT5200L	3403155001	Storage Box Overturn	1
208-2	ZT5200L	4860775001	Wiring Harness	1
208-3	ZT5200L	4860792001	Type-C Male-male Wire	1
208-4	ZT5200L	4860791001	Type-C Male-female Wire	1
208-5	ZT5200L	4891973002	USB PCBA	1
208-6	ZT5200L	4860773001	Wiring Harness	1
208-7	ZT5200L	3700367001	Cord Anchorage	6
208-8	ZT5200L	4891964001	USB PCBA	1
208-9	ZT5200L	5610021001	Tapping Screw	11
208-10	ZT5200L	4860774001	USB Cable	1
208-11	ZT5200L	5620377003	Hexagon Socket Screw	18
208-12	ZT5200L	2830790001	LED Electric Assembly	1
208-13	ZT5200L	3131122001	LED Holder	1
208-14	ZT5200L	3131076001	LED Cover	1
208-15	ZT5200L	3131104001	Left Cover Plate	1
208-16	ZT5200L	5610305002	Tapping Screw	4
208-17	ZT5200L	4970354001	Charging Fuse(40A)	1
208-18	ZT5200L	4870766001	Switch Assembly	1
208-19	ZT5200L	4860796001	Charging Harness Assembly	1
208-20	ZT5200L	4860771001	Wiring Harness	1
208-21	ZT5200L	3660810001	Torsion Spring	2
208-22	ZT5200L	3131010001	Charging Port Cover	1

No.	Product Model#	Part Number	Description	Qty
208-23	ZT5200L	3131007001	Lower Housing	1
208-401	ZT5200L	2827407002	Storage Box Assembly	1
208-402	ZT5200L	2827462002	Left Cover Set	1
209-1	ZT5200L	2827628001	L R Indicator Cover Set	1
209-2	ZT5200L	5620377003	Hexagon Socket Screw	6
209-3	ZT5200L	3707406001	Wire Holder	2
209-4	ZT5200L	3900385001	Guard Assembly	1
209-5	ZT5200L	2830770001	LED Electric Assembly	1
210-1	ZT5200L	5610021001	Tapping Screw	4
210-2	ZT5200L	3700367001	Cord Anchorage	4
210-3	ZT5200L	4860777001	Wiring Harness	1
210-4	ZT5200L	3130904001	Right Cover	1
210-5	ZT5200L	3131105001	Right Cover Plate	1
210-6	ZT5200L	4860791002	Type-C Male-female Wire	1
210-7	ZT5200L	5620377003	Hexagon Socket Screw	22
210-8	ZT5200L	3131078001	Phone Box	1
210-9	ZT5200L	3660812001	Torsion Spring	1
210-10	ZT5200L	3322835001	Phone Box Cover	1
210-11	ZT5200L	4870764001	Push Switch	1
210-12	ZT5200L	4870762001	Push Switch	1
210-13	ZT5200L	3130995001	Control Panel	1
210-14	ZT5200L	2827438001	LCD Assembly	1
210-15	ZT5200L	3131055001	Wire Holder	2
210-16	ZT5200L	3580076001	Rubber Sleeve	2
210-17	ZT5200L	2830779001	Switch Electric Assembly	1
210-18	ZT5200L	3122798001	Cord Anchorage	3
210-19	ZT5200L	5610305002	Tapping Screw	3
210-20	ZT5200L	4860782001	Wiring Harness	1
210-21	ZT5200L	3130996001	Control Box Base	1
210-22	ZT5200L	3131076001	LED Cover	1
210-23	ZT5200L	3131077001	LED Holder	1
210-24	ZT5200L	2830790001	LED Electric Assembly	1
210-401	ZT5200L	2827437001	Control Panel Box Assembly	1

No.	Product Model#	Part Number	Description	Qty
211-1	ZT5200L	3402283001	Armrest	2
211-2	ZT5200L	5610388001	Hexalobular Socket Thread Forming Screw	4
211-3	ZT5200L	5640354001	Flange Bolt-Large Series	6
211-4	ZT5200L	4870579001	Switch Assembly	1
211-5	ZT5200L	5640222001	Hexagon Flange Bolt	2
211-6	ZT5200L	3550110002	Washer	4
211-7	ZT5200L	2827473001	Guide Rail Assembly	1
211-8	ZT5200L	5620021004	Hexagon Socket Screw	4
211-401	ZT5200L	2827759001	Right Armrest Assembly	1
211-402	ZT5200L	2827760001	Left Armrest Assembly	1