

INTERSTATE

CONTINUOUS MAIN
BEAM WITH
INTERLOCKING
CROSSMEMBERS

EXCLUSIVE HEAVY
DUTY ADJUSTABLE
SPRING SUSPENSION



HEAVY DUTY
ELECTRIC BRAKES

DUAL WHEELS &
TANDEM AXLES

SPRING ASSISTED
RAMPS

DISC TYPE WHEELS

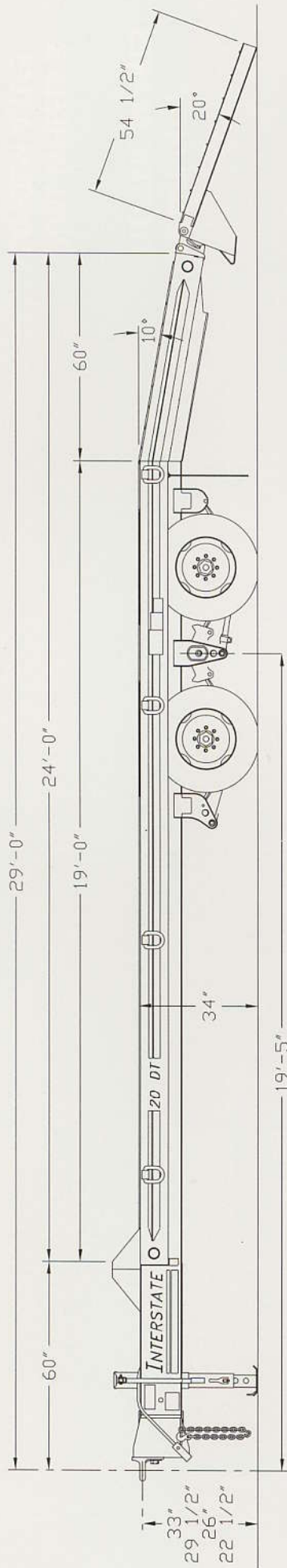
200DT

THE
DEFINITION
OF VALUE



TRAILERS, INC. 1101 HERITAGE PARKWAY MANSFIELD, TEXAS 76063
 Visit our Web site at www.interstatetrailers.com

817/453-5402
 800/433-5384
 Fax: 817/453-5445



MODEL 20DT

Capacity:	20,000# @ 55 MPH	Decking:	2" Nominal Hardwood
Trailer Weight:	5,900#	Main Rails:	W12" x 16# A572 Gr. 50
Overall Length:	29' 0"	Crossmembers:	6" Jr. I Beam A572 Gr. 50
Overall Width:	96" / 102"	Heavy Duty Axles:	(2) 10,000# / Heavy Duty
Platform Length:	24' 0"	Heavy Duty Brakes:	Electric 12 1/4" x 4"
Platform Height:	34"	Exclusive Adjustable Suspension:	H9700 w/ Torque Arms
Dovetail Length:	60"	Tires:	245/75R x 16 - LRE
Ramp Length:	54 1/2"	Heavy Duty Wheels:	8 hole "Budd" Type Disc
Ramp Width:	21 1/2"	Lights & Electric:	Sealed Beam System/ICC & DOT Approved
		Hitch:	Adjustable Pintle Eye - 4 Position

Your **INTERSTATE** Dealer Is

Interstate Trailers, Inc. reserves the right to change design, material and/or specifications without notice and without incurring any obligation to such changes.