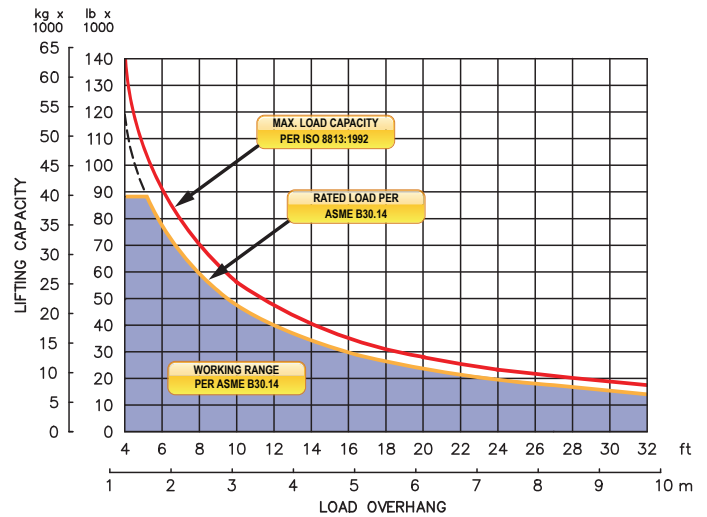


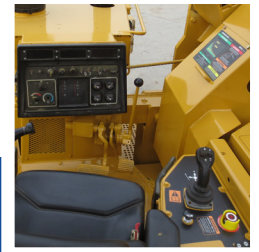
## M583ch

on CAT D8R LGP

### LOAD RATING



Improved Operator Visibility



Sideboom Controls

## FEATURES

**Multi-functional joystick controller** allows simultaneous, precise control of the load and boom functions with one hand. Electronic rocker switches are used for counterweight and two-speed functions. The controls are easy to operate and require minimal operator training.

**High capacity pipelayer winch package** with high efficiency, two-speed piston motors.

**Improved Operator Visibility** due to new compact sideboom attachment design.

**Hydraulically operated, four-bar linkage counterweight system** adds maximum stability and lifting capability. Low, compact design provides balanced weight distribution for optimum operating control and excellent visibility.

**Emergency free-fall** function on load winch.

**Electrohydraulic boom stop** automatically prevents system over travel and damage to boom.

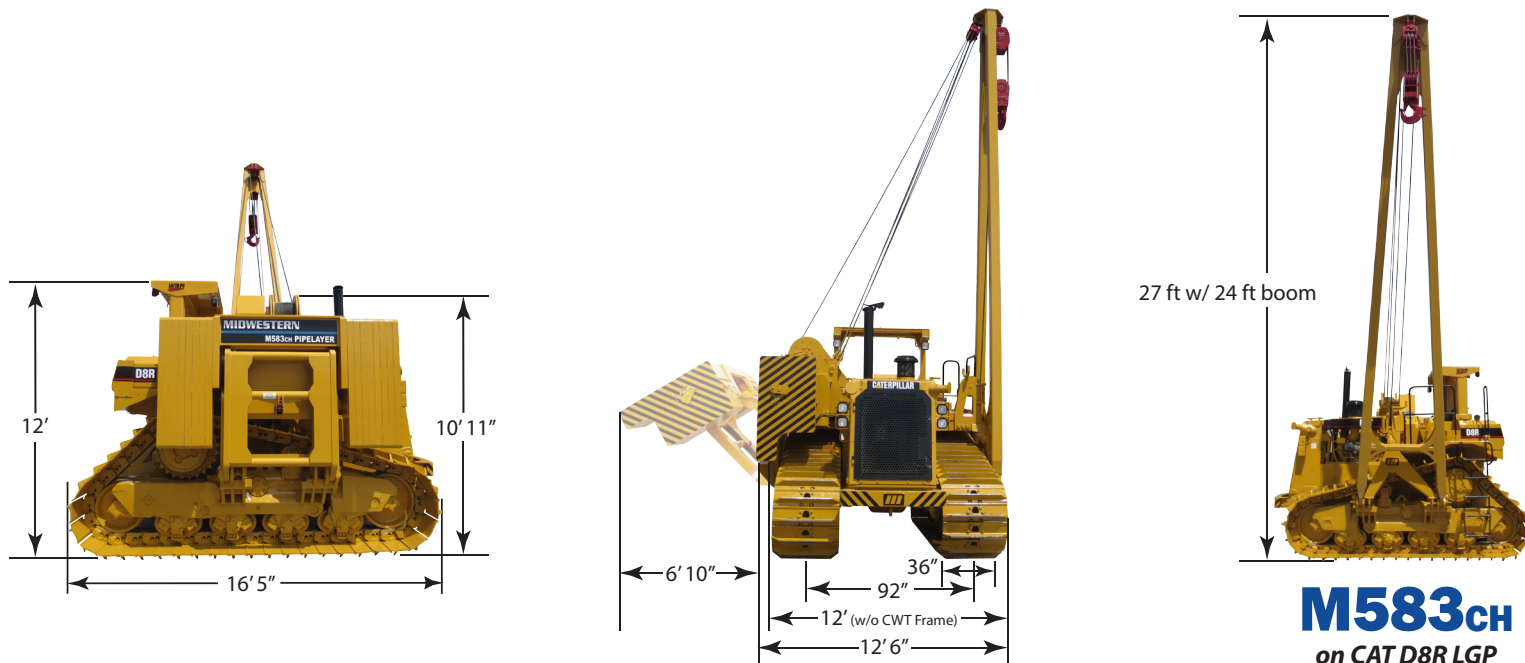
**System employs tractor's existing hydraulic pump, filter and reservoir** for convenience of OEM replacement parts and maintenance.

**Tubular A-frame boom** with quick release hinge pins for easy boom removal and maintenance.

**Standard bumper** helps prevent damage to front of machine.

**Optional** boom lengths, Cranesmart LMI System, and Sigalarm Proximity System available.

## SIDEBOOM ATTACHMENTS



## Load Capacity

Maximum Load at 4 ft Overhang	140,000 lb (63,509 kg)
Rated Load at 4 ft Overhang	119,000 lb (53,978 kg)
Maximum Working Load at 4 ft Overhang	88,200 lb (40,007 kg)

## Boom and Blocks

Standard Boom	24 ft (7.3 m)
Boom Line Parts	5
Load Line Parts	6
Typical Hook Speed (HI/LO)	60/25 ft/min (18/7.6 m/min)

## Winches

Boom Winch	Planetary, Two-Speed, Dual Brake System
Load Winch	Planetary, Two-Speed, Dual Brake System, Free-Fall
Wire Rope Installed - Boom Winch	220 ft (67 m)
Maximum Cable Capacity - Boom Winch	468 ft (142.6 m)
Wire Rope Installed - Load Winch	275 ft (83.8 m)
Maximum Cable Capacity - Load Winch	468 ft (142.6 m)
Wire Rope - Boom & Load Line	3/4 in (19 mm), 6x36 EIPS, IWRC [58,800 lbs (26,671 kg) Minimum Breaking Strength]

## Hydraulic System

Directional Control Valve	3-Section, Load Sense, Pressure Compensated w/ Electrohydraulic Controls
Operating Pressure	3,510 psi (242 bar)
Pump Output	63 gpm (238.5 lpm)

## Weights

4 Removable Counterweight Segments	Total: 18,900 lb (8,573 kg)
Total Extendible Counterweight (Segments & Frame)	23,800 lb (10,796 kg)
Total Sideboom Attachment Weight	40,200 lb (18,235 kg)
Approximate Operating Weight	109,400 lb (49,623 kg)
Approx. Shipping Weight - Less Boom & CWT Segments	87,470 lb (39,675 kg)
Approx. Shipping Weight - Less Boom & CWT Assembly	82,955 lb (37,628 kg)