

MirroCraft



OWNER'S MANUAL

\$9.95

TABLE OF CONTENTS

<i>Introduction</i>	2
<i>Boating Safety</i>	3
<i>Labels</i>	4
<i>BIA Tag</i>	4
<i>Safety Recommendations</i>	5
<i>Systems and Components</i>	6
<i>Mounting Aftermarket Equipment</i>	17
<i>Maintenance</i>	22
<i>Care and Cleaning</i>	23
<i>Winterization and Storage</i>	25
<i>Launching</i>	27
<i>Fueling Recommendations</i>	28
<i>Glossary of Terms</i>	29

INTRODUCTION

Congratulations on your purchase of a high quality aluminum boat.

All MirroCraft boats meet or exceed all U.S. Coast Guard safety standards relating to load, horsepower, capacity, flotation, electrical, steering, ventilation, and fuel system on the date of manufacture.

This manual supplies you with information about your new MirroCraft boat and the different systems and components that are a part of your boat. Please read this manual and familiarize yourself with your boat and components of your boat. Read all manuals that cover the individual components of your boat such as pumps, steering, stereo, engine, and other items that may be standard or optional on your particular model.

Please fill out all warranty cards that come with your boat at the time of purchase and return to the manufacturers as specified on the warranty cards. If you have a problem with a specific component in your boat please contact the manufacturer of that component such as pump or stereo which is covered by a separate warranty. If you are not satisfied with the response please contact your local MirroCraft dealer to assist you.

BOATING SAFETY

Please read your manual and familiarize yourself with the operation of your MirroCraft boat before getting under way. It is recommended that you take a boating safety course to familiarize yourself with the safe operation of your new boat. This manual contains four levels of safety precautions. Please read and understand these precautions.



DANGER:

Immediate hazard which will result in severe personal injury or death.



WARNING:

Hazards or unsafe practices which could result in severe personal injury or death.



CAUTION:

Hazards or unsafe practices which could result in minor injury or product or property damage.



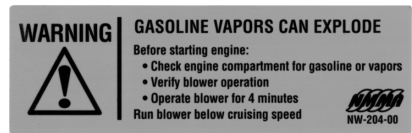
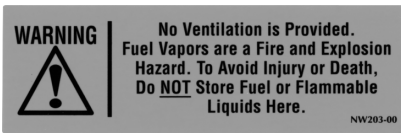
NOTICE:

Information which is important to proper operation or maintenance, but is not hazard related.

LABELS

There are labels at various locations on your boat. Please do your part in reading these labels. MirroCraft has posted these labels so you may have a safe boating experience. If there are any labels missing please contact your local Mirrocraft dealer to have them replaced.

Below are a few examples of the labels which may or may not be on your boat when you purchased it. Below are samples of some of the labels that may have come with your boat.



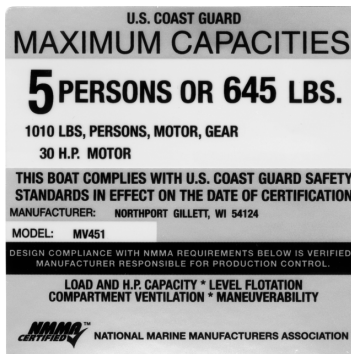
BIA TAG

The BIA capacity tag is very important. It specifies the number of persons, maximum horsepower of your model boat and maximum load capacity. Below is an example of a BIA tag.



WARNING:

Never remove your BIA tag.



SAFETY RECOMMENDATIONS

The following recommendations should be followed for your protection and to have a safe boating experience.

- Never operate a boat while under the influence of alcohol or drugs.
- Check with your MirroCraft dealer for the proper safety equipment that is required for the size of boat that you have purchased. You may also contact the U.S. Coast Guard's toll free safety hotline. **U.S. COAST GUARD 1-800-368-5647**
- Regularly inspect your boat, engine and all safety equipment to keep it in a safe operating condition.
- Keep lifesaving equipment and fire extinguisher available and accessible at all times. All passengers should know the location and how to use them.
- Always operate your boat with consideration, courtesy and common-sense. Contact your local Coast Guard for a copy of navigational rules in your area.
- Always be aware of the weather when you go boating. Check local forecasts to monitor the local weather.
- When under way, all occupants should sit in a forward facing position with the swivel seats locked in a forward position.
- Never overload your boat. Check your capacity plate for proper weight, horsepower and number of persons allowed.
- Always turn off engine before using swimming platform.
- Extinguish all flames when refueling your boat. If any fuel is spilled in the boat clean up immediately.
- In case of swamping or flooding of your boat (STAY WITH YOUR BOAT).



DANGER:

**Failure to turn off engine could result
in death or serious injury.**

SYSTEMS AND COMPONENTS

This section covers the various systems in your MirroCraft boat. It supplies illustrated information on your boat. Depending on the model of boat and the options that are installed you may or may not have all the equipment described. If you have any questions please consult your local MirroCraft dealer.

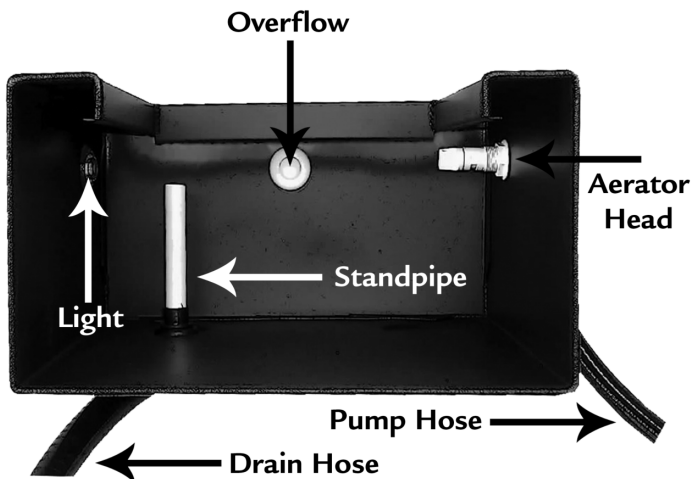
Integrated Performance Tabs

Integrated Performance Tabs are used to enhance boat performance and should only be adjusted by your local Mirrocraft dealer.



Livewells and Baitwells

A livewell is standard on some boats. The livewell on the boat that you have purchased may look different than the diagrams below, but they all operate on the same principles. A typical livewell consists of the following components.



Aerator head: Used to bring fresh water into the livewell or baitwell. The flow rate may be adjusted by turning the head to the right to decrease the flow and to the left to increase the flow. (Do not turn aerator head off completely when pump is running)

Drain: The drain fitting is connected to a fitting that exits through the stern of the boat. To drain the livewell or baitwell remove standpipe.

Standpipe: The standpipe is inserted into the drain. It is used to control the depth of water in the livewell or baitwell. **The standpipe may be trimmed to control the depth of water in the livewell or baitwell. If you experience livewell overflow, trim standpipe.**

Overflow: Some models due to the size of the livewell have an overflow mounted on the side of the livewell. This is just another way to control the amount of water in the livewell.

Livewell pump: The livewell pump supplies fresh water to the livewell or baitwell. The pump is usually located at the stern of the boat below the waterline. The pump is controlled by a fused switch on the switch panel.

Livewell Light: The light is waterproof and is mounted in the side of the livewell on some models. The light is controlled by a fused switch marked either courtesy light or accessory.

To use your livewell, first insert the standpipe in the drain. Next go to switch panel and turn on proper switch. Let livewell fill to top of standpipe and then either turn off or let run continuously. To decrease the water flow you may adjust the aerator head by turning to the right. (The boat must be in the water before running the pump.)

If your livewell or baitwell drain becomes plugged, you can try to force water through the fitting with a water hose to flush it out. If your livewell or baitwell pump fails to operate, check your fuses and also the electrical connection of the pump. If you still have problems with your pump check the instructions that came with your boat before contacting your local dealer.

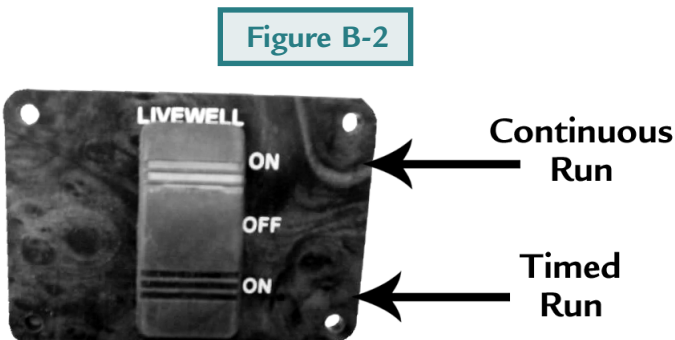
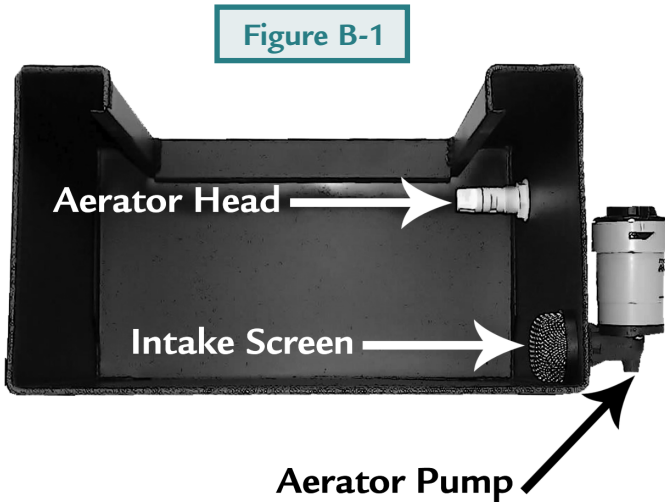


NOTICE:

**If water in the livewell or baitwell freezes it could cause the hoses to burst and the pumps to break.
Ensure all water is out of system.**

Recirc/Timer Kit: This kit consists of a pump, aerator head (Figure B-1) and timer switch panel (Figure B-2). This switch panel has an inline fuse on the red wire.

- The panel has three positions on the front of it.
 - The recirc kit may be installed on a livewell or on a baitwell depending on the model and options on the boat you own.
 - To use the recirc pump you must first fill the livewell or baitwell with fresh water. Do this by turning on main livewell or baitwell pump. When water level reaches the top of standpipe, turn off pump and then start recirculation pump in the mode that you want. Livewell or baitwell must be full before starting recirc pump.
- On** - Turns pump on continuous run
Off - Turns pump off
Off - On - Intermittent operation which typically turns the recirc pump on and off at three minutes intervals.



Electrical System

This section covers all standard 12 volt DC components on your MirroCraft boat. The electrical system in your boat is a 12 volt DC ground. All components must be grounded directly to the battery negative terminal or to a grounding block that is connected to the negative battery terminal.

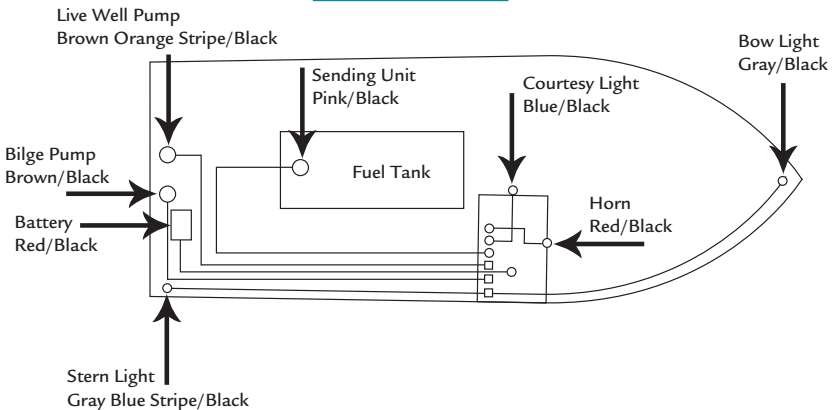


NOTICE:

Failure to properly ground your accessories could seriously damage your aluminum hull through electrolysis. Insulate all unused power leads when your boat is in use to prevent sparking and electrolysis.

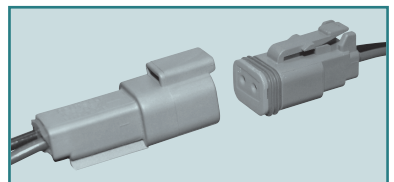
The diagram below (Figure E-1) shows the basic wiring of a MirroCraft boat. The model you have may or may not be exactly the same.

Figure E-1



Deutsch Connectors

For your convenience some models have Deutsch Connectors on the electrical components. Please see your local Mirrocraft dealer if these components need servicing.



Navigation Lights

The navigation lights are controlled by a three-way switch. This allows you to select the following lighting. One position turns on the stern light. (This should be on whenever you are anchored at night) Another position allows both the bow and stern to be turned on for cruising at night. The center position turns off the stern and bow light. To install the bow and stern light poles, line up the slots and insert pole in base.



CAUTION:

Always test your navigation lights before heading out.

Marine Stereo

Due to the different options available all stereos come with a separate manual that will explain all operations.

Livewell and Bilge Pump

The pumps are each controlled by a separate switch on the switch panel. If the pumps fail to work, first check the fuse or circuit breaker. If that is okay, check the pumps for any kind of blockage or loose wires. To clean pumps, refer to manuals that came with your MirroCraft boat.

Courtesy Light

The courtesy lights are either wired to the courtesy light switch or the accessory switch, depending which model you purchased. Both are supplied with a fuse or circuit breaker. If the lights do not work, first check the fuse or circuit breaker and then check the bulbs and connections.

Horn

The horn is connected to a push button on the switch panel that is protected with a fuse or circuit breaker.



NOTICE:

Not all MirroCraft boats have horns installed. Check with Coast Guard regulations to see if you are required to have a horn or some other signaling device.

Seat Bases

All seat bases are factory installed in locations that have been reinforced to handle the stresses associated with operating your boat. Check seat fasteners prior to using your boat.



WARNING:

Do not attempt to move or install new bases without contacting your local MirroCraft dealer.

Ski Pylon

If your MirroCraft boat is supplied with a ski pylon it is very important to make sure that it is completely assembled according to manufacturer's instructions that came with your boat.



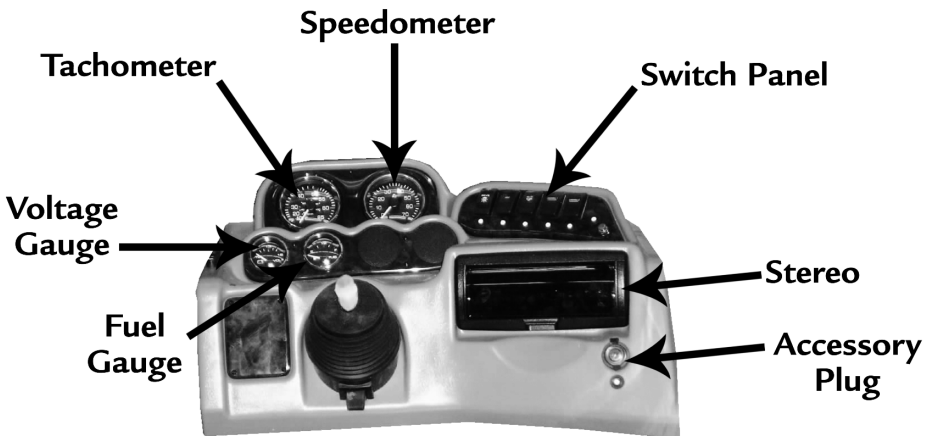
DANGER:

To avoid serious injury, death or boat damage from ski pylon failure. Ski pylon must be secured to base. Do not use with any equipment which is tied to the tow rope such as inner tubes, aquaplanes, etc.

Instrumentation

A typical instrumentation panel consists of the following items (Figure D-1). Your MirroCraft boat may or may not include all of these components.

Figure D-1



Fuel Gauge

Shows the amount of fuel remaining in the tank. To get an accurate reading the boat should be in a level position. Always keep track of your fuel consumption. As a rule of thumb, don't let your fuel levels go below one third of a tank before refueling due to the accuracy of the gauge while the boat is on plane.

Tachometer

The tachometer displays the revolution per minute (RPM) of the engine. If you have any problems with the tachometer please contact the manufacturer of the gauge.

Speedometer

The speedometer shows the boat speed in miles per hour (MPH). For the speedometer to read accurately the pickup tube must be in the down position for running. The pickup tube must be kept clean at all times. The tube is located on the outside bottom edge of the transom or on engine. The tube must be tilted up for trailering to avoid damage.

Voltage

The voltage displays the condition of the battery. It should normally read between 11-14 volts when the engine is running.

Power Trim Gauge

This gauge shows the position of the engine in relation to the running performance. Proper trim will be indicated by the performance of the boat.

Accessory Plug



CAUTION:

Socket is to be used for electrical accessories only. It is not to be used as a lighter plug. If it is used as a lighter plug it will melt and cause a short circuit.

Steering

Because of all the different options on steering control please read the manual and instructions that came with your MirroCraft boat.

Motor Trim/Tilt

Because of all the different engine options, please read the manual and instructions that came with your Mirrocraft boat. When tilting the motor, ensure all seats and equipment (ie. seats, ski pylon) are stowed or engine damage could result.

Fuel System

This section is for boats with internal tanks only. On boats with portable tanks please follow manufacturer's recommendations. The fuel system is designed to meet or exceed federal requirements of the U.S. Coast Guard at the time of manufacture. The fuel system has been inspected and pressure tested at the factory before shipped. Also, all components of the fuel system must pass tests and inspections by the manufacturers. The fuel system consists of the following components:

Fuel Fill: The fuel fill is labeled Gas or Fuel. Be sure to use the fuel recommended by the engine manufacturer.

Fuel Vent: The vent allows air to escape from the fuel tank when filling. When tank is about full, a small amount of fuel may be discharged from vent.

Fuel Pickup Line: This line connects the fuel tank to the engine. Follow engine manufacturer's recommendation for the fuel filter required, if any.

Fuel Tank: All fittings and connections on the fuel tank are accessible for inspection; contact your dealer for the location of the inspection plates and hatches.



NOTICE:

You should have the fuel system inspected once a year.

The diagram (figure F-1) shows a basic fuel system.

Gas Fill Hose

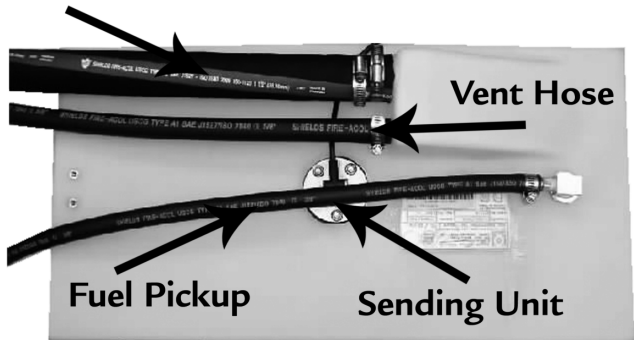


Figure F-1

Battery

Battery (Cranking): The cranking battery on your boat is designed to start your boat and power all your electrical equipment. Do not use your cranking battery to power a trolling motor because it is not designed for the steady current draw that a trolling motor requires.

Battery (Deep Cycle): The deep cycle battery is designed for the constant draining and recharging required powering a trolling motor. Do not use a deep cycle battery for a cranking battery unless it is a combination deep cycle, starting battery.

NOTE: It is always recommended to have separate batteries for cranking and trolling.

IMPORTANT: Follow the battery manufacturer's instruction on proper charging and maintenance.

IMPORTANT: Only mount batteries in approved battery boxes or trays that have been installed by the manufacturer.



WARNING:

**Batteries produce gases when charging and can explode.
Keep all flames and sparks away from battery when charging.**

MOUNTING AFTERMARKET EQUIPMENT

Trolling Motor (gas)

Always take into account the weight of the trolling motor into the total weight capacity of the boat specified on the BIA tag on your boat. Mounting a trolling motor on the back of your boat may affect the balance and performance of your boat.

Trolling Motor (electric)

Always take into account the weight of the trolling motor into the total weight capacity of the boat specified on the BIA tag on your boat.

Graphs and Transducers

Always make sure that the transducer mounting plate does not extend past the bottom of the hull as this will affect the performance of your boat. Please see diagrams below.



Incorrect

Transducer will affect the performance of boat-it extends past bottom of boat.



Correct

Transducer does not extend past bottom of boat.

Bilge Pump

The bilge pump is used to remove water that accumulates in the bilge area. The switch that controls the pump is mounted on the switch panel and is protected by a circuit breaker or fuse. Some boat models are equipped with an automatic bilge switch. When water rises to a certain level in the bilge, the pump will turn on automatically and when the water is pumped out, the float switch shuts off. The bilge pump can also be turned on manually at the switch panel. To clean your bilge pump refer to the manufacturer's instructions that came with your boat.

IMPORTANT: Check your bilge pump every time you use your boat and make sure that the area around the pump and float switch is kept clean.



WARNING:

**If oil or fuel is spilled in the bilge do not turn on pump.
Contact your local dealer for advice in removing the gas or oil.**

Canvas

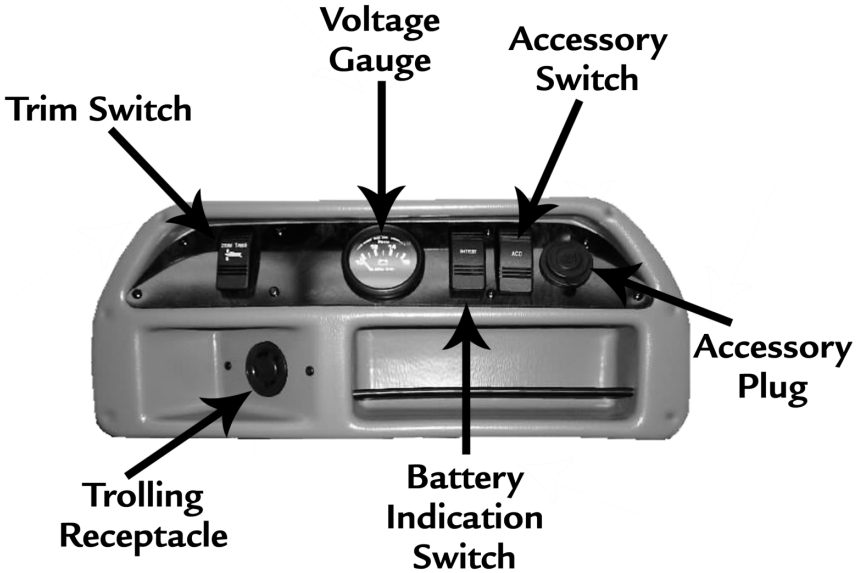
Some Canvas is installed using lift-the-dot snaps. Please see picture for proper removal of snap.



Bow Trolling Systems

Your MirroCraft boat may be equipped with one of the following trolling systems:

Figure T-1



Deluxe bow trolling panel (Figure T-1): The deluxe panel has the option of allowing a 12 volt or 24 volt trolling motor to be installed on your boat. To be used for 24 volts both batteries (A + B) must be connected to the trolling harness. The plug must be wired for 24 volts according to the markings on the plug. To be used for 12 volts battery (A) must be connected to the trolling harness and the plug must be wired for 12 volts according to the markings on the plug.

The deluxe trolling panel also includes the following components:

- a. **Voltage gauge:** Used to check the condition of your batteries. To check the condition of the batteries press the battery switch on the top for battery (A) and on the bottom for battery (B).
- b. **Trim switch:** This switch is used to raise or lower the outboard motor from the bow of the boat. The switch is wired in by the engine installer.

NOTE: Battery (A) supplies power to the accessory switch and accessory plug.

- c. **Accessory switch:** The accessory switch is fused with a 15 amp inline fuse. To gain access to the fuse and switch you must remove the faceplate and tip panel down. On the back of the accessory switch there is an empty terminal to hook the positive wire on. For the ground, tap into the black wire on the back of the switch.
- d. **Accessory plug:** The accessory plug is fused with a 15 amp inline fuse that is located behind the panel.

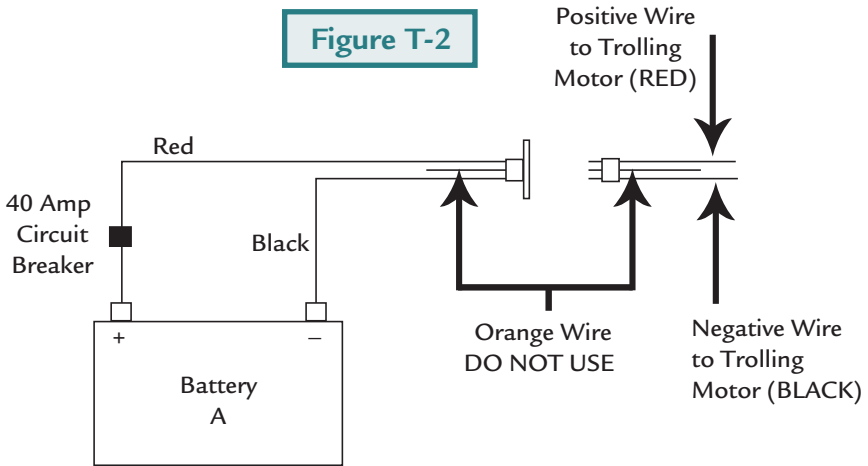


WARNING:

This plug cannot be used as a lighter plug.

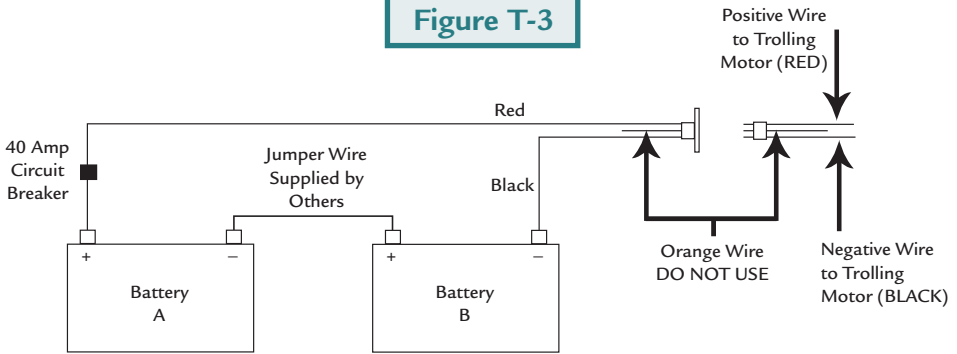
NOTE: Battery (A) supplies power to the accessory switch and accessory plug.

Figure T-2



The two-wire trolling plug (Figure T-2) is a simple setup that allows you to hook up a 12 volt trolling motor. The wiring is protected by a 40 amp circuit breaker or fuse at the battery harness.

Figure T-3



The 24 volt system (Figure T-3) requires 2 batteries hooked up in series with a jumper wire between the two batteries. It is recommended that you contact your dealer before installing.



WARNING:

Failure to hook up a trolling system properly could cause damage to your boat and injury to yourself.

MAINTENANCE

This section contains the various systems on your MirroCraft boat and how to maintain it in a safe operating condition. Information can be found in the instruction manuals that came with the systems or by contacting your local MirroCraft dealer.

Engine: Perform engine maintenance according to manufacturer's instructions that came with your outboard motor.

Steering system: Inspect linkage and connections every time the boat is used. Check manufacturer's direction for proper lubrication and adjustments.

Electrical: Inspect battery connections, battery cables and all electrical components after 48 hours of operation or according to the specific manual that applies to the components in question.

Fuel system: Inspect for leaks before using the boat and inspect the entire fuel system once a year. There are access plates in your boat to gain access to the fuel system fittings and hoses. Contact your local MirroCraft dealer for information about where the access plates are located in your model of boat.



DANGER:

Never operate your boat when there is fuel in the bilge area. Contact your local dealer to have the problem repaired promptly!

Controls: Inspect the linkage daily and adjust according to manufacturer's instructions.

Navigation lights: Check all lights every time you use your boat, especially when your boat will be used after dark.

Hull and deck: Check seat hardware for tightness and check all rails and cleats. Inspect ski pylon before use to ensure that it is installed correctly. Check for any damage to hull every time you use your boat.

CARE AND CLEANING

Cleaning

This section contains information on how to clean the painted, vinyl and carpeted surfaces on your MirroCraft boat. Do not use any cleaners containing chlorine or petroleum solvents as they may damage the finished surfaces of your boat.

NOTE: Before using a cleaning chemical not recommended by MirroCraft test in an inconspicuous area for any adverse affects.

Hull Care



CAUTION:

Do not use any abrasive cleaners or scouring pads on the finish of your MirroCraft boat!

The finish on your MirroCraft boat is a baked-on urethane finish. To clean the painted surfaces on your boat, first rinse off all loose particles with a hose and then wash with warm water and a nonabrasive cleaner. Thoroughly rinse all detergent away. When boat is dry you may apply a coat of wax to the exterior painted surfaces. Contact your local dealer for a recommended marine wax.

NOTE: Do not wax olive drab, willow or dead grass brown. These are flat finish paints that only need washing with warm water and nonabrasive soap.



NOTICE:

After use in salt water rinse hull and bilge area with fresh water to remove salt residue.

To repair any scratches or chips that may occur, you may purchase touch-up paint from your local MirroCraft dealer. It is available in aerosol spray cans or by the quart. Because of the age and condition of the boat, it is very difficult to get a perfect match on touch-up paint. Contact your local dealer for more extensive paint repairs.

Interior Care

Vinyl: For general purpose cleaning, use warm water with mild dish soap such as Dawn, Fantastic or Final Finish Vinyl Cleaner. Gently scrub with a small soft bristle brush. For extreme dirt build-up, let soak for approximately 10 minutes and then gently scrub. Use of 3M Citrus Cleaner or 303 Protectant is also okay. Follow label instructions. Do not use 409, Murphy's Soap, Simple Green, DC Plus, Armor All, Top Kote Sealant, Orange 88 Degreaser, Roll Off, bleach or baking soda, Turtle Wax Tar Removal, APCO, Tannery or Harbor Mate. Do not use any silicone based protectants. They will extract the plasticizers and eventually cracking will occur.

Convertible top: The cleaning instructions for convertible tops are the same as the vinyl parts in your MirroCraft boat. Lubricate metal zippers with paraffin wax. Always make sure that your convertible top is clean and dry before stowing it for the season.

NOTE: Never stow away the top if it is wet!

Carpet: Scrub indoor/outdoor carpet with a brush using mild detergent and warm water, and then thoroughly rinse with clear water. Allow carpet to dry completely before use. Apply a light coat of Scotch Guard to protect against accidental spills. Never use bleach, ammonia or citric based cleaners.

Windshield: Safety glass windshields can be cleaned like any other glass window. Plexiglas windshields must be rinsed with clear water. After dirt is removed use a cleaner that is specifically designed for Plexiglas. Check all mounting fasteners on windshield when cleaning.



NOTICE:

**Never use a solvent base cleaner to wash your windshield.
It may cause clouding of the glass.**

WINTERIZATION AND STORAGE

This section covers the steps in preparing your boat for cold weather or extended storage. At this time you should do a complete inspection of your boat and correct any problems that you may find.

Hull:

- Remove any marine growth and clean according to manufacturer's instruction previously described in this manual.
- Inspect the sides and bottom of hull for any damage.
- Remove drain plug and store in a safe place.
- Leave hatch door open before covering boat.

Deck:

- Clean all hardware and instrumentation and check all control and steering linkages.
- Clean carpet on deck

Engine:

- Check your owner's manual for the specific instructions on winterizing your engine or contact your local dealer.

Fuel System:

- Fill the fuel tank and add a fuel stabilizer to the fuel. Follow the manufacturer's directions on the amount to add.

Battery:

- Remove battery from your boat and charge according to the manufacturer's directions and then store away from freezing temperatures.
- Clean outside of battery and terminals with a solution of baking soda and water. Do not allow the solution to enter the battery.

Livewell and Baitwell:

- Remove the drain tube from the livewell.
- Remove as much water as possible using compressed air to blow out water from the livewell or baitwell. You may also pour a small amount of RV ANTIFREEZE in the drain fittings after blowing them out for added protection.



NOTICE:

Failure to remove the water can result in burst hoses or broken pumps.

Interior:

- Clean the interior of the boat and let dry completely.
- Remove all seats and cushions from boat and store in a dry place.
- Clean the bilge area.
- Remove all personal flotation devices and store in a clean dry place.

Trailer:

- Loosen all tie downs.
- Store boat on trailer with bow up to allow excess water to drain.
- For further information regarding your trailer refer to the trailer owner's manual or contact your dealer.

Recommissioning

- Inspect the fuel system for any leaks or corrosion.
- Check all wiring and clean battery connections.
- Charge battery and attach cables.
- Reinstall drain plug.
- Check livewells and baitwells for leaks.
- Refer to engine manual for recommissioning the engine.

LAUNCHING

Prelaunching inspection

Before launching your boat it is recommended that you do the following:

- Inspect the hull and propeller for damage.
- Check electrical system and navigation lights.
- Check the operation of the bilge pump.
- Install drain plug.
- Check that all safety equipment that is required is in the boat and is in operable condition.
- Do a visual check of motor for any problems.
- Check fuel level.
- Remove engine support bracket if used and tilt motor to its highest position.
- Before backing down the boat ramp check the following:
 - Remove tie downs
 - Secure all gear
 - Check safety equipment
 - Disconnect trailer lights to prevent shorting

Launching and Loading

Follow the recommendations supplied in the manual that came with your boat trailer.

FUELING RECOMMENDATIONS



WARNING:

Do not use any fuel that contains alcohol or alcohol derivatives. Alcohol destroys marine fuel system hoses and components that could result in leaks, fire and explosion.

Before fueling check the following:

- Safely secure your boat if it is in the water.
- Do not smoke and extinguish all open flames. Stop the engine and turn off all electrical accessories.
- Have a fire extinguisher available.
- Remove portable tanks from boat when filling them.
- Use only recommended fuel lubricants.

Fueling

- Remove the fuel fill plate.
- Begin fueling the boat slowly and stand away from the fuel tank vent and fill plate during fueling as splash back may occur.
- Do not fill tank completely to the top. You should allow room for the fuel to expand, otherwise it will be ejected out the vent fitting.
- When done fueling, replace the fill cap and wipe up any spilled fuel. If the fuel is allowed to remain in contact with the boat it may cause damage to the paint or carpet.
- Check for leaks when tank is full.
- Do not start engine until all fuel vapors have dissipated.

GLOSSARY OF TERMS

Auto Bilge Switch - This is used in conjunction with your bilge pump and is not always standard equipment. The function is to pump your boat automatically when the level attains a pre-determined height. This is extremely convenient when your boat is left in the water unattended. It is activated by leaving your pump switch off and is overridden when the switch is turned on.

Caution - do not assume this device is on every model.

Battery (Cranking) - A cranking battery is designed to provide amperage sufficient to start your engine and provide power to the normal marine accessories. A marine type battery is so marked and in all cases employs a bolt/wing nut method of attaching wires. This battery should be inspected annually for corrosion and water level. Do not consider the use of a cranking battery to power your electric trolling motor.

Battery (Deep Cell) - Deep cell batteries are to be used in conjunction with trolling motors. Unlike a cranking battery, deep cell batteries are designed to be totally discharged and recharged numerous times without damage. Cranking batteries do not have this feature. Do not use a cranking battery in place of a deep cell.

Beam - Overall width of boat normally measured at or near the windshield station (widest part of boat).

Bow - Forward section of hull.

Bow Trolling System - If so equipped, your MirroCraft boat can provide bow trolling motor power in one of the three ways that are covered in the manual.

Courtesy Lights - Some models are equipped with cockpit courtesy or interior lights as a convenience during night operation. These lights are controlled by a single on/off switch at the dash or control panel.

Depth - Overall depth of hull at gunwale - normally measured with hull flat on floor - vertical measurement from floor to forward bow tip of hull.

Finish - Your boat has a variety of coats of high gloss exterior urethane paint applied under computer controlled conditions, by highly trained factory professional personnel. To maintain this finish you will need to wash and wax periodically as you would your automobile. Utilize a high quality automotive or marine grade finish closely following the directions included.

Floor Seat Bases - Your MirroCraft has been outfitted with floor seat bases strategically placed so as to make seat placement as convenient as possible. These bases are reinforced to withstand the stress applied. Do not attempt to install additional bases.

Freeboard - Vertical distance that a hull is out of the water - typically at bow and stern.

Horn - The horn on the water can be used in many different ways. It is controlled by an electric momentary switch on the dash or control panel and is labeled as Horn. Consult your Coast Guard rules of navigation for proper use.

Caution - Do not assume that all boats have horns as standard equipment nor should you assume you have a horn if you have a horn switch, as switch panels normally have a standard panel regardless of accessories installed.

Hull Draft - Depth of boat in water at rest at its deepest point.

Length - Measured on center line of boat from the forwardmost point of hull to vertical uppermost edge of transom.

Livewell - More than likely your MirroCraft boat includes a livewell designed to provide a method to help keep your catch alive or fresh. Livewells are provided in various configurations and may or may not be insulated. In all cases, your livewell is designed to drain when removing a statically placed drain plug.

Navigation Lights - If your boat is equipped with navigation or running lights you will receive a short red/green bow light pole and a substantially longer white stern light pole. To activate, these poles must be plugged into the proper bases located in the bow (bow light) and stern corner (stern light).

Operating Draft - Same as hull draft, however, includes engine therefore typically to bottom edge of prop.

Paint Touch-Up - For your convenience, MirroCraft has available spray touch-up paint available to match the paint on both exterior and interior of your boat. Although these paints are matched at time of manufacture, exposures to the elements and elapsed time can cause mismatches. Contact your dealer for colors required.

Port - Left hand side of boat facing forward - referred to as red side.

Pump - A bilge pump in a boat is very similar to a sump pump in your basement. It is designed to remove excess water from the under floor area of your boat.

Ski Tow - If your MirroCraft boat is equipped with a ski tow pylon, it is important to realize that this pylon should never be used unless it is completely assembled. This accessory is not designed to be used without sway braces installed. Please see manufacturer's instructions concerning its limitations.

Starboard - Right hand side of boat facing forward - referred to as green side.

Static Trim - Altitude of hull at rest - measured in degrees.

Stereo System - Your MirroCraft boat may be equipped with an AM/FM stereo tape or CD system. In most cases this system is an option and can be one of several selections. Please refer to the specific manual included with your owner's pack.

Stern - Aft or rear section of hull.

Transom - The relatively flat, vertical surface structure on which an outboard engine is installed.

Transom Drain - Your boat is equipped with a thru-transom drain designed to drain water from the hull when out of the water. For obvious safety reasons make sure the plug is installed and locked before launching your boat.

Transom Height - Vertical height of transom face from hull bottom to top edge of transom.

Short - 15"

Long - 20"

X-Long - 25"

Warranty - Your MirroCraft boat is covered by an exclusive limited warranty. This warranty is provided on a special document and is provided at the time of purchase of your boat.

Windshield - Your boat may be equipped with either a full walk-thru windshield or a smaller single console version. In either case, a certain part or the entire windshield may be constructed of Plexiglas. To prevent damage when cleaning, use only a soft cloth with a window cleaner that does not contain ammonia. Ammonia can cause distortion in Plexiglas which is not covered by your warranty.

NOTES

NOTES

NOTES



MirroCraft

by Northport Corporation of St. Cloud

P.O. Box 380 / 39 North Harding Avenue / Gillett, Wisconsin 54124

Phone: 920-855-2168 Fax: 920-855-6537

Web Page: www.mirrocraft.com