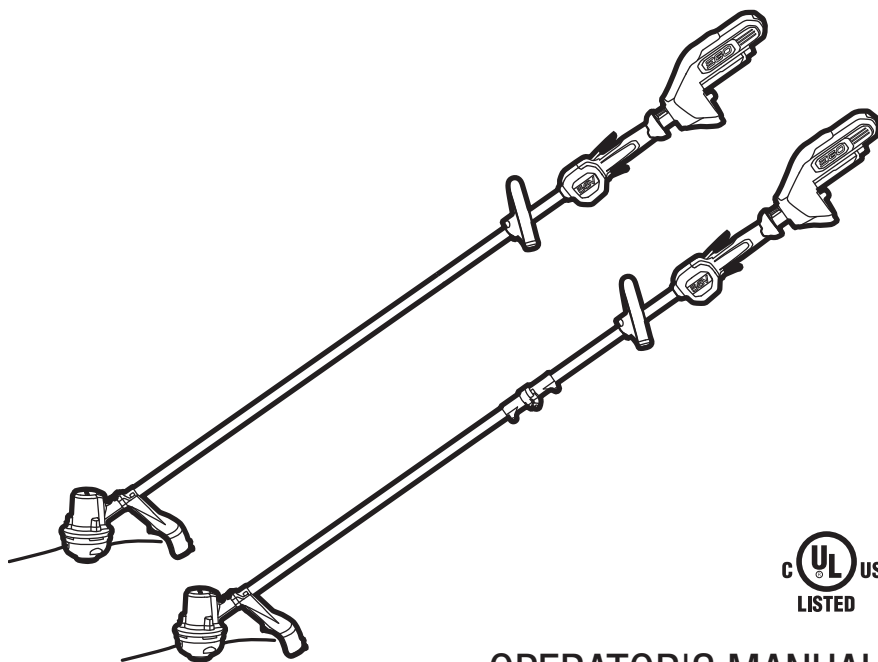


EGO[®]

POWER⁺ STRING TRIMMER



OPERATOR'S MANUAL

56-VOLT LITHIUM-ION CORDLESS 15" STRING TRIMMER

Français p. 37

Español p. 75

MODEL NUMBER
ST1500 (STRAIGHT SHAFT)
ST1500-S (HINGED SHAFT)

⚠ WARNING: To reduce the risk of injury, the user must read and understand the Operator's Manual before using this product. Save these instructions for future reference.



TABLE OF CONTENTS

Safety Symbols	4
Safety Instructions	5-8
Introduction	9
Specifications	9
Packing List	10-12
Description	13-14
Assembly	15
Operation	16-24
Maintenance	25-30
Troubleshooting	31-32
Warranty	33-34
Parts List	35-36

READ ALL INSTRUCTIONS!



READ & UNDERSTAND
INSTRUCTION MANUAL

⚠ WARNING: Some dust created by power cutting contains chemicals known to the state of California to cause cancer, birth defects or other reproductive harm. Some examples of these chemicals are:

- Lead from lead-based paints
- Crystalline silica from bricks and cement and other masonry products, and
- Arsenic and chromium from chemically-treated lumber.

Your risk from these exposures varies, depending on how often you do this type of work. To reduce your exposure to these chemicals: work in a well ventilated area, and work with approved safety equipment, such as those dust masks that are specially designed to filter out microscopic particles.

SAFETY SYMBOLS

The purpose of safety symbols is to attract your attention to possible dangers. The safety symbols and the explanations with them deserve your careful attention and understanding. The symbol warnings do not, by themselves, eliminate any danger. The instructions and warnings they give are no substitutes for proper accident prevention measures.

⚠ WARNING: Be sure to read and understand all safety instructions in this Operator's Manual, including all safety alert symbols such as "DANGER," "WARNING," and "CAUTION" before using this tool. Failure to following all instructions listed below may result in electric shock, fire, and/or serious personal injury.

SYMBOL MEANING

⚠ SAFETY ALERT SYMBOL: Indicates DANGER, WARNING, OR CAUTION. May be used in conjunction with other symbols or pictographs.



⚠ WARNING! The operation of any power tools can result in foreign objects being thrown into your eyes, which can result in severe eye damage. Before beginning power tool operation, always wear safety goggles or safety glasses with side shield and a full face shield when needed. We recommend a Wide Vision Safety Mask for use over eyeglasses or standard safety glasses with side shields. Always use eye protection which is marked to comply with ANSI Z87.1.

SAFETY INSTRUCTIONS

This page depicts and describes safety symbols that may appear on this product. Read, understand, and follow all instructions on the machine before attempting to assemble and operate it.

	Safety Alert	Indicates a potential personal injury hazard.
	Read the Operator's Manual	To reduce the risk of injury, user must read operator's manual.
	Eye Protection	Always wear safety goggles or safety glasses with side shields and a full face shield when operating this product.
	Recycle Symbols	This product uses lithium-ion (Li-ion) batteries. Local, state, or federal laws may prohibit disposal of batteries in ordinary trash. Consult your local waste authority for information regarding available recycling and/or disposal options.
IPX4	Ingress Protection Degree	Protection from splashing water
V	Volt	Voltage
mm	Millimeter	Length or size
cm	Centimeter	Length or size
in.	Inch	Length or size
kg	Kilogram	Weight
lb	Pound	Weight
DC	Direct Current	Type or a characteristic of current
RPM	Revolutions per minute	Rotational speed

⚠ DANGER: People with electronic devices, such as pacemakers, should consult their physician(s) before using this product. Operation of electrical equipment in close proximity to a heart pacemaker could cause interference or failure of the pacemaker.

IMPORTANT SAFETY INSTRUCTIONS

⚠ WARNING! When using electric trimmers, basic safety precautions should always be followed to reduce the risk of fire, electric shock, and personal injury, including the following:

READ ALL INSTRUCTIONS

⚠ DANGER! Do not rely on the tool's insulation against electric shock. To reduce the risk of electrocution, never operate the tool in the vicinity of any wires or cables which may carry electric current.

⚠ CAUTION! Wear appropriate personal hearing protection during use. Under some conditions and durations of use, noise from this product may contribute to hearing loss.

- **Keep Children Away** - All visitors should be kept at least 100 feet away from work area.
- **Avoid Dangerous Environments** – Don't use appliances on damp or wet slope.
- **Dress Properly** - Do not wear loose clothing or jewelry. They can be caught in moving parts. Use of rubber gloves and substantial footwear is recommended when working outdoors. Wear protective hair covering to contain long hair.
- **Use Safety Glasses** - Always use face or dust mask if operation is dusty.
- **Use the Right Tool** - Do not use the tool for any job except that for which it is intended.
- **Don't Force the Trimmer** - It will do the job better and with less likelihood of a risk of injury at the rate for which it was designed.
- **Don't Overreach** - Keep proper footing and balance at all times.
- **Stay Alert** - Watch what you are doing. Use common sense. Do not operate the trimmer when you are tired.
- **Do not operate the trimmer while under the influence of alcohol or drugs.**
- **Keep guards in place and in working order.**
- **Keep hands and feet away from the cutting area.**
- **Store Trimmer Indoors** - When not in use the trimmer should be stored indoors in a dry and high or locked-up place with the battery pack removed- out of reach of children.
- **Maintain Trimmer With Care** - Keep the cutting attachment clean for best performance and to reduce the risk of injury. Follow the instructions for changing accessories. Keep the handles dry, clean, and free from oil and grease.

- **Check Damaged Parts** - Before further use of the trimmer, a guard or other part that is damaged should be carefully checked to determine that it will operate properly and perform its intended function. Check for alignment of moving parts, binding of moving parts, breakage of parts, mounting, and any other condition that may affect its operation. A guard or other part that is damaged should be properly repaired or replaced by an authorized service center unless indicated elsewhere in this manual.
- **Clear the area to be cut before each use.** Remove all objects such as rocks, broken glass, nails, wire, or string that can be thrown or become entangled in the cutting attachment. Make sure that other persons and pets are at least 100 ft. (30.5m) away.
- **Always hold the trimmer firmly, with both hands on the handles, while operating. Wrap your fingers and thumbs around the handles.**
- **Avoid Accidentally Starting** - Don't carry the trimmer with your finger on the trigger.
- **Do not operate the trimmer in gaseous or explosive atmospheres.** Motors in these appliances normally spark, and the sparks might ignite fumes.
- **Damage to Trimmer** - If you strike a foreign object with the trimmer or it becomes entangled, stop the tool immediately, check for damage and have any damage repaired before further operation is attempted. Do not operate with a broken guard or spool.
- **If the equipment should start to vibrate abnormally, stop the motor and check immediately for the cause.** Vibration is generally a warning of trouble. A loose head may vibrate, crack, break or come off the trimmer, which may result in serious or fatal injury. Make sure that the cutting attachment is properly fixed in position. If the head loosens after fixing it in position, replace it immediately. Never use a trimmer with a loose cutting attachment.
- **Replace a cracked, damaged or worn-out cutting head immediately, even if damage is limited to superficial cracks.** Such attachments may shatter at high speed and cause serious or fatal injury.
- **Check the cutting attachment at regular short intervals during operation, or immediately if there is a noticeable change in cutting behavior.**
- **When replacing the cutting line, use standard nylon cutting line with a diameter that does not exceed 0.095 in. (2.4 mm);** using heavier lines than recommended by the manufacturer increases the load on the motor and reduces its operating speed. This results in overheating and damage to the trimmer.

- **To reduce the risk of serious injury, never use wire or metal-reinforced line or other material in place of the nylon cutting lines.** Pieces of wire could break off and be thrown at high speed toward the operator or bystanders.
- **To reduce the risk of injury from loss of control, never work on a ladder or on any other insecure support. Never hold the cutting attachment above waist height.**
- **If situations occur that are not covered in this manual, use care and good judgment. Contact the EGO Customer Service Center for assistance.**
- **Do not charge the battery pack in rain, or in wet locations.**
- Use only with the battery packs and chargers listed below:

BATTERY PACK	CHARGER
BA1120, BA1400, BA2240, BA2800, BA4200	CH5500 CH2100

- **Do not dispose of the battery in a fire.** The cells may explode. Check with local codes for possible special disposal instructions.
- **Do not open or mutilate the battery.** Released electrolyte is corrosive and may cause damage to the eyes or skin. It may be toxic if swallowed.
- **Exercise care in handling batteries in order not to short the battery with conducting materials such as rings, bracelets, and keys.** The battery or conductor may overheat and cause burns.
- **Replacement Parts** - When servicing, use only identical EGO replacement parts. Use of any other accessory or attachment may increase the risk of injury.
- **Battery tools do not have to be plugged into an electrical outlet; therefore, they are always in operating condition.** Be aware of possible hazards even when the tool is not operating. Take care when performing maintenance or service.
- **Remove or disconnect battery pack before servicing, cleaning or removing material from the trimmer.**
- **Do not wash with a hose; avoid getting water in motor and electrical connections.**
- **Save these instructions.** Refer to them frequently and use them to instruct others who may use this tool. If you lend this tool to someone else, also lend these instructions to them to prevent misuse of the product and possible injury.

SAVE THESE INSTRUCTIONS!

INTRODUCTION

Congratulations on your selection of the EGO 56-Volt Lithium-ion Lithium-Ion Cordless 15" String Trimmer. It has been designed, engineered and manufactured to give you the best possible dependability and performance.

Should you experience any problem you cannot easily remedy, please contact EGO customer service center 1-855-EGO-5656.

This manual contains important information on to the safe assembly, operation and maintenance of your string trimmer. Read it carefully before using the string trimmer. Keep this manual handy so you can refer to it at any time.

SERIAL NUMBER _____	DATE OF PURCHASE _____
YOU SHOULD RECORD BOTH SERIAL NUMBER AND DATE OF PURCHASE AND KEEP IN A SAFE PLACE FOR FUTURE REFERENCE	

SPECIFICATIONS

Voltage	56V DC
No-load speed	4000-5800 RPM
Cutting Mechanism	Bump Head
Cutting Line Type	AL0951 0.095" (2.4mm) nylon line
Cutting Width	15 in. (38 cm)
Weight (Without battery pack)	6.7 lb. (3.04Kg)

PACKING LIST

PART NAME	QUANTITY
String trimmer	1
Guard	1
Front-assist handle assembly	1
M5 Hex wrench	1
Bolts for locking shaft (ST1500-S Only)	2
Operator's manual	1

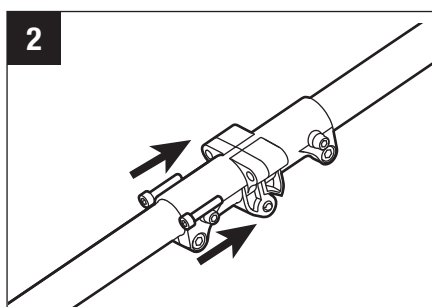
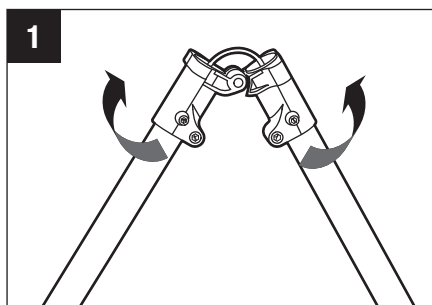
UNFOLDING THE SHAFT (ONLY FOR ST1500-S)

⚠ WARNING: In order to avoid pinching your hands or fingers, do not hold the shaft at the joints.

⚠ WARNING: Do not attempt to start the trimmer until the shaft has been locked.

⚠ WARNING: Always remove the battery pack from the product when you are assembling parts, making adjustments, cleaning, or when the product is not in use.

1. Remove the battery pack from the trimmer.
2. Put your trimmer on the ground and carefully unfold the shaft. Make sure that the cable is inside the shaft so that it will not be pinched when closing the joints (Fig. 1).
3. Use the M5 hex wrench to lock the shaft with the two bolts supplied (Fig. 2).

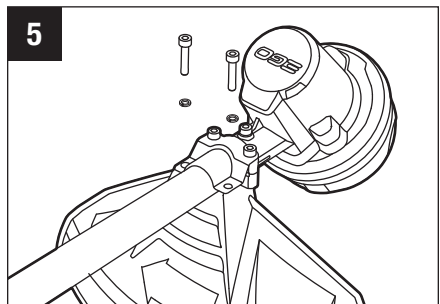
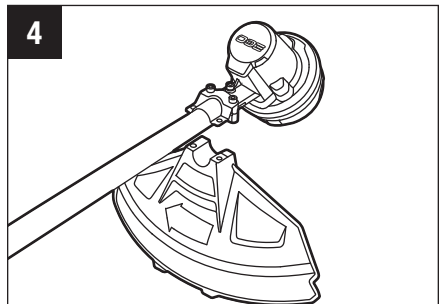
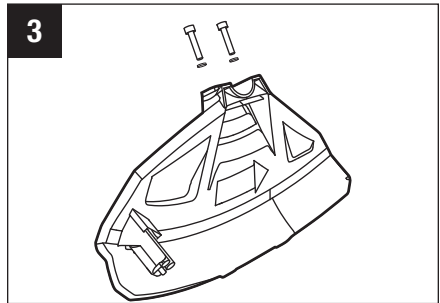


MOUNTING THE GUARD

⚠ WARNING: Always wear gloves when mounting or replacing the guard. Be careful of the blade on the guard and protect your hands from being injured by the blade.

⚠ WARNING: Always remove the battery pack from the product when you are assembling parts, making adjustments, cleaning, or when the product is not in use.

1. Remove the battery pack from the trimmer.
2. Loosen the two bolts in the guard with the M5 hex wrench; remove the bolts and spring washers from the guard (Fig. 3).
3. Lift the trimmer head and face it downward; align the two mounting holes in the guard with the two assembly holes in the base of the shaft. Make sure that the internal surface of the guard faces towards the trimmer head (Fig. 4).
4. Lock the guard in place with the bolts and the M5 hex wrench (Fig. 5).



MOUNTING AND ADJUSTING THE FRONT-ASSIST HANDLE

⚠ WARNING: Always remove the battery pack from the product when you are assembling parts, making adjustments, cleaning, or when the product is not in use.

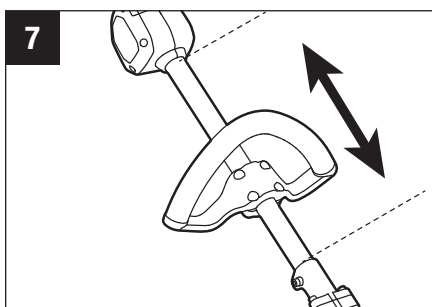
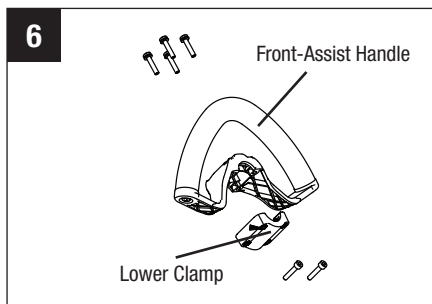
1. Remove the battery pack from the trimmer.

2. Loosen the four screws in the handle with a Phillips screwdriver (available separately) and remove the screws and the lower clamp from the handle (Fig. 6).

3. Attach the front-assist handle and the lower clamp on the shaft and secure them by pre-tightening the four screws. Turn the front-assist handle upwards so that it points toward the top of the handle (Fig. 7).

4. ST1500-S: Adjust the front-assist handle position so that it is between the rear handle housing and the joint of the shaft, as shown in Fig. 7. For ST1500: adjust the handle position so that it is between the rear handle housing and the warning label on the shaft. Shorter users may adjust the handle to a lower position (away from you) and taller users may adjust the handle to an upper position (towards you). The handle should be adjusted so that your front arm will be straight when using the trimmer.

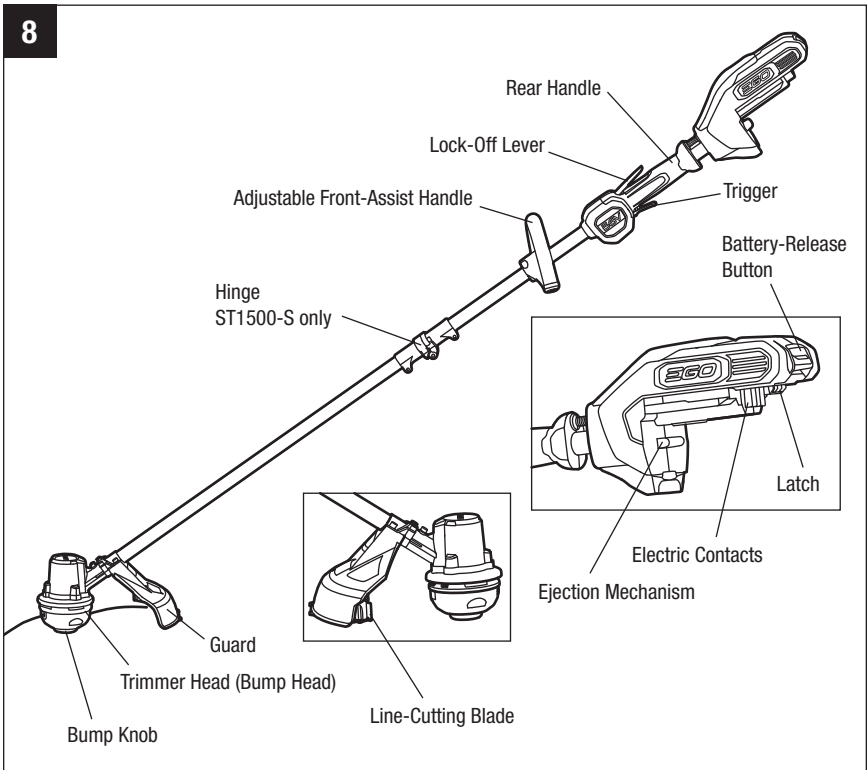
5. Tighten the four screws so that the handle cannot be rotated on the shaft.



DESCRIPTION

KNOW YOUR STRING TRIMMER (Fig. 8)

The safe use of this product requires an understanding of the information on the tool and in this operator's manual, as well as knowledge of the project you are attempting. Before using this product, familiarize yourself with all operating features and safety rules.



⚠ WARNING: Never operate the tool without the guard securely in place. The guard must always be on the tool to protect the user.

ADJUSTABLE FRONT-ASSIST HANDLE

For easy control of the trimmer during cutting.

REAR HANDLE

Ergonomic handle with overmold improves comfort and grip.

TRIGGER

To turn the string trimmer On and Off and to adjust the trimmer head speed.

LOCK-OFF LEVER

Helps prevent accidental or unauthorized activation of the trigger. It must be depressed before the trigger can be activated.

HINGE (ST1500-S ONLY)

Connects and locks the two foldable shafts.

TRIMMER HEAD (BUMP HEAD)

The cutting attachment for cutting grass.

BUMP KNOB

A light tap of the bump knob on the ground while operating the trimmer releases the cutting line.

GUARD

Designed to reduce the risk of injury from foreign objects flung backwards toward the operator by the cutting attachment and from contact with the cutting attachment.

LINE-CUTTING BLADE

Steel blade on the guard keeps the cutting line at the proper length.

BATTERY-RELEASE BUTTON

To release the battery pack from the tool.

LATCH

Locks the battery pack when installing it on the tool.

EJECTION MECHANISM

Aids in battery removal.

ASSEMBLY

⚠ WARNING: If any parts are damaged or missing, do not operate this product until the parts are replaced. Use of this product with damaged or missing parts could result in serious personal injury.

⚠ WARNING: Do not attempt to modify this product or create accessories not recommended for use with this string trimmer. Any such alteration or modification is misuse and could result in a hazardous condition leading to possibly serious personal injury.

⚠ WARNING: Always remove battery the pack from the product when you are assembling parts, making adjustments, cleaning, or when the product is not in use.

UNPACKING

- This product requires assembly.
- Carefully remove the product and any accessories from the box. Make sure that all items listed in the packing list are included.
- Inspect the tool carefully to make sure that no breakage or damage occurred during shipping.
- Do not discard the packing material until you have carefully inspected and satisfactorily operated the tool.
- If any parts are damaged or missing, please return the product to the place of purchase.

OPERATION

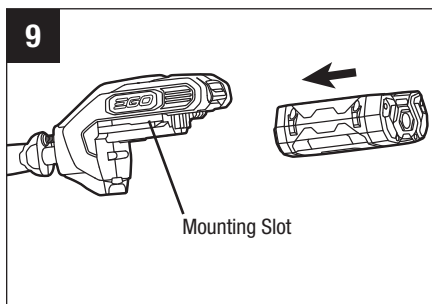
⚠ WARNING: Do not allow familiarity with this product to make you careless. Remember that a careless fraction of a second is sufficient to inflict serious injury.

⚠ WARNING: Always wear eye protection with side shields marked to comply with ANSI Z87.1, along with hearing protection. Failure to do so could result in objects being thrown into your eyes and other possible serious injuries.

⚠ WARNING: Do not use any attachments or accessories not recommended by the manufacturer of this product. The use of attachments or accessories not recommended can result in serious personal injury.

TO INSTALL/REMOVE BATTERY PACK (Fig. 9 & 10)

⚠ WARNING: Always remove the battery pack from the product when you are assembling parts, making adjustments, cleaning, or when not in use. Removing the battery pack will prevent accidental starting that could cause serious personal injury.



NOTE: Fully charge the battery pack before first use.

To install battery pack (Fig. 9)

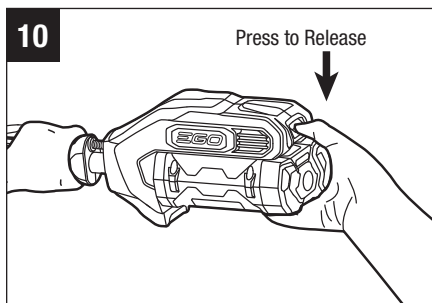
- Align the ribs of the battery pack with the mounting slots in the string trimmer's battery port.
- Press the battery pack towards the trimmer head until it snaps into position.

NOTE: Make sure that the latch on the string trimmer snaps into place and the battery pack is secured to the tool before beginning operation.

To remove battery pack (Fig. 10)

⚠ WARNING: Always be aware of the location of your feet and children or pets around you when pressing the battery-release button. Serious injury could result if the battery pack falls. NEVER remove the battery pack at a high location.

- Hold the battery pack in the palm of your hand.
- Press the battery-release button with your thumb; the battery pack will disengage from the latch.
- Grasp the battery pack and remove it from the string trimmer.



HOLDING THE STRING TRIMMER

⚠ WARNING: Dress properly to reduce the risk of injury when operating this tool. Do not wear loose clothing or jewelry. Wear eye and ear/hearing protection. Wear heavy, long pants, boots and gloves. Do not wear short pants or sandals or go barefoot.

Before operating the unit, stand in the operating position and check that:

- The operator is wearing eye protection and proper clothing.
- One arm is slightly bent, and the hand on that arm is holding the rear handle.
- The other arm is straight, with that hand holding the front-assist handle.
- The trimmer head is parallel to the ground and easily contacts the material to be cut without the operator having to bend over (Fig. 11).



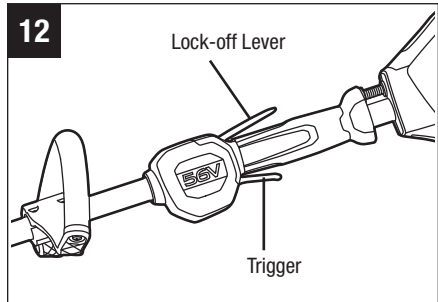
STARTING/STOPPING THE STRING TRIMMER

Before starting the string trimmer

- Make sure that you have a secure and balanced footing.
- Stand upright and hold the string trimmer in a relaxed position.
- Make sure that the cutting line is not touching the ground or any other objects.
- Hold the string trimmer with both hands: one hand on the rear handle and one hand on the front-assist handle.

To start the string trimmer (Fig. 12)

1. Press down the lock-off lever and hold it in that position. Depress the trigger to turn on the string trimmer.
2. The rotational speed of the cutting line is controlled with the variable speed trigger. More pressure on the trigger results in higher cutting speed; less pressure on the trigger results in lower cutting speed. Adjust the speed to suit the task at hand.



NOTICE: The motor runs only when the lock-off lever and trigger are both pressed .

To stop the string trimmer

Release the lock-off lever and the trigger to stop the string trimmer.

⚠ WARNING: Always remove the battery pack from the string trimmer during work breaks and after finishing work.

USING THE STRING TRIMMER

⚠ WARNING: To avoid serious personal injury, wear goggles or safety glasses at all times when operating this unit. Wear a face mask or dust mask in dusty locations.

Clear the area to be cut before each use. Remove all objects, such as rocks, broken glass, nails, wire, or string that can be thrown or become entangled in the cutting attachment. Clear the area of children, bystanders, and pets. At a minimum, keep all children, bystanders and pets at least 100 feet (30.5m) away; there still may be risk to bystanders from thrown objects. Bystanders should be encouraged to wear eye protection. If you are approached, stop the motor and cutting attachment immediately.

⚠ WARNING: To prevent serious personal injury, remove the battery pack from the tool before servicing, cleaning, changing attachments or removing material from the unit.

Check for damaged/worn parts before each use

Check the bump head, guard and front-assist handle and replace any parts that are cracked, warped, bent, or damaged in any way.

The line-cutting blade on the edge of the guard can dull over time. It is recommended that you periodically sharpen it with a file or replace it with a new blade.

⚠ WARNING: Always wear gloves when mounting or replacing the guard or when sharpening or replacing the blade. Note the location of the blade on the guard and protect your hand from injury.

Clean the trimmer after each use

⚠ WARNING: To prevent serious personal injury, remove the battery pack from the tool before servicing, cleaning, changing attachments or removing material from the unit.

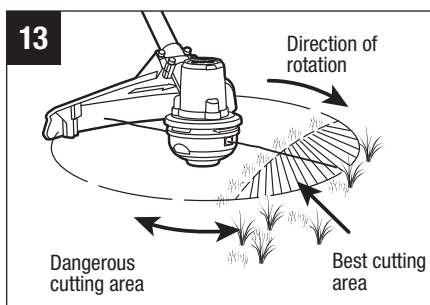
1. Clear any grass that may have wrapped itself around the motor shaft or trimmer head.
2. Use only mild soap and a damp cloth to clean the tool. Never let any liquid get inside the tool; never immerse any part of the tool into a liquid.
2. Wipe off the unit with a clean, dry, soft cloth.
4. Keep the air vents in the rear housing free from debris at all times.

NOTICE: Obstructing the vents will prevent the air from flowing into the motor housing and may result in overheating or damage to the motor.

⚠ WARNING: Never use water for cleaning your trimmer. Avoid using solvents when cleaning plastic parts. Most plastics are susceptible to damage from various types of commercial solvents. Use clean clothes to remove dirt, dust, oil, grease, etc.

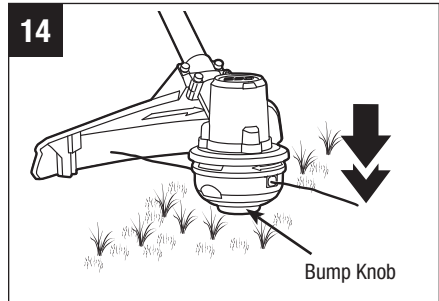
Tips for best trimming results (Fig. 13)

- The correct angle for the cutting attachment is parallel to the ground.
- This string trimmer allows you to rest the bump knob on the ground for more comfortable operation.
- Do not force the trimmer. Allow the very tip of the line to do the cutting (especially along walls). Cutting with more than the tip will reduce cutting efficiency and may overload the motor.
- The cutting height is determined by the distance of the cutting line from the lawn surface.
- Grass over 8 inches (200 mm) should be cut by working from top to the bottom in small increments to avoid premature line wear or motor drag.
- Slowly move the trimmer into and out of the area being cut, maintaining the cutting head position at the desired cutting height. This movement can be either a forward-backward motion or a side-to-side motion. Cutting shorter lengths produces best results.
- Trim only when grass and weeds are dry.
- Wire and picket fences can cause extra string wear or breakage. Stone and brick walls, curbs, and wood may wear strings rapidly.
- Avoid trees and shrubs. Tree bark, wood moldings, siding, and fence posts can easily be damaged by the strings.



ADJUSTING CUTTING LINE LENGTH

The trimmer head allows the operator to release more cutting line without stopping the motor. As line becomes frayed or worn, additional line can be released by lightly tapping the bump knob on the ground while operating the trimmer (Fig. 14).



⚠ WARNING: Do not remove or alter the line cutting blade assembly. Excessive line length will cause the motor to overheat and may result in serious personal injury.

For best results, tap the bump knob on bare ground or hard soil. If line release is attempted in tall grass, the motor may overheat. Always keep the trimming line fully extended. Line release becomes more difficult as the cutting line becomes shorter.

LINE REPLACEMENT

NOTICE: Always use standard nylon cutting line with a diameter that does not exceed 0.095 in. (2.4 mm). Using line other than that specified may cause the string trimmer to overheat or become damaged.

⚠ WARNING: Never use metal-reinforced line, wire, or rope, etc. These can break off and become dangerous projectiles.

There are two methods to replace the cutting line:

1. Wind the spool with new line.
2. Install a pre-wound spool.

Wind the spool with new line

⚠ WARNING: To prevent serious personal injury, remove the battery pack from the tool before servicing, cleaning, changing attachments or removing material from the unit.

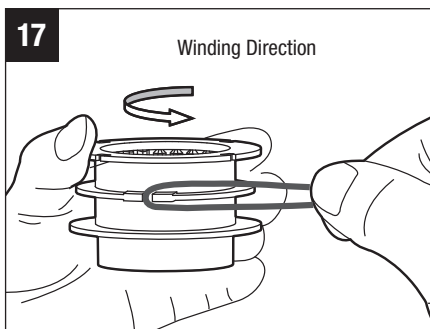
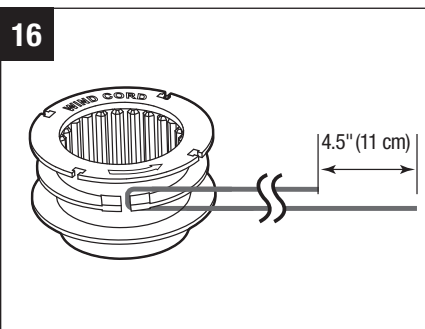
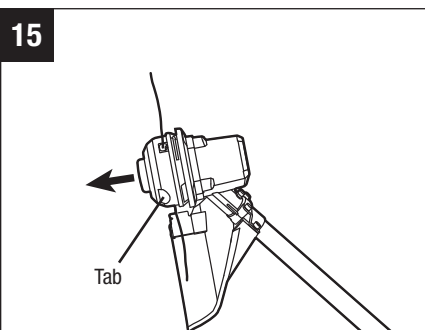
1. Remove the battery pack
2. Press the release tabs on the spool base and remove the spool retainer by pulling it straight out (Fig. 15).
3. Remove the spool. Use a clean cloth to clean the inner surface of the spool retainer and spool base.

NOTICE: Always clean the spool retainer and spool base before reassembling the trimmer head.

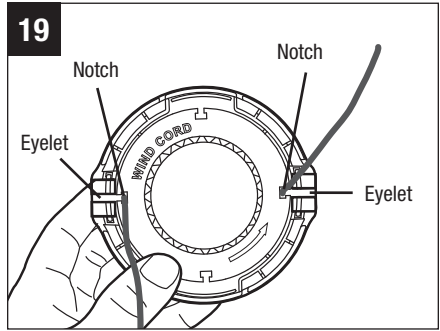
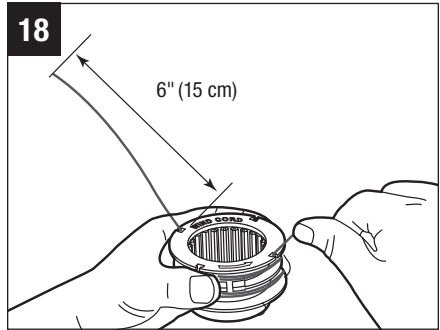
4. Check the spool retainer, spool and spool base worn wear parts.
5. Take approximately 15 ft (4.5m) of 0.095 in. (2.4 mm) diameter cutting line. Fold the line in half and then adjust it so that one end is 4.5 in. (11cm) longer than the other (Fig. 16).

6. Hook the folded end of the cutting line onto either of the slots in the spool (Fig. 17).
7. Wind the line, in two even and tight layers, onto the spool. Wind the line in the direction indicated on the spool (Fig. 17).

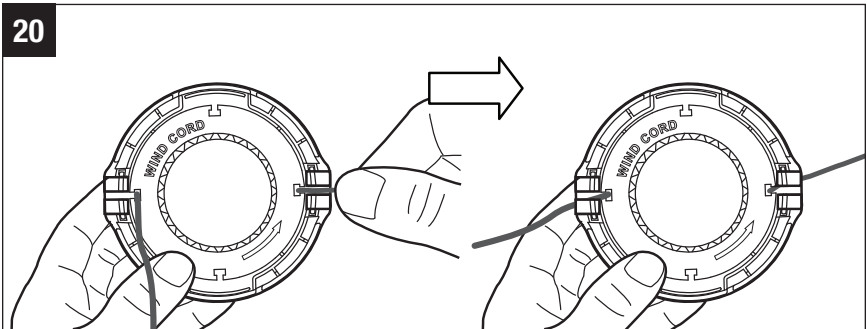
NOTICE: Failure to wind the line in the direction indicated will cause the trimmer head to operate incorrectly.



- Place the ends of the line in two opposite notches in the spool, with approximately 6 in. (15 cm) protruding (Fig. 18).
- Align the notches of the spool from which the lines protrude with the eyelets in the spool retainer and position the spool in the retainer (Fig. 19).

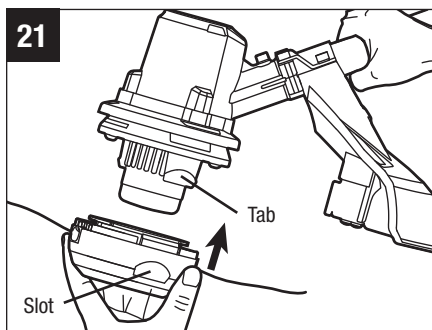


10. Holding the spool and spool retainer, grasp one end of the line and pull it to release the line from the notch in the eyelet (Fig. 20). Repeat with the other end.



11. With the spool base facing downward, align the slots in the spool retainer with the tabs on the spool base and press the retainer evenly down until it snaps into place (Fig. 21).

NOTICE: Make sure that the tabs on the spool base snap into place or the spool will come out during operation.



Install a pre-wound spool

⚠ WARNING: To prevent serious personal injury, remove the battery pack from the tool before servicing, cleaning, changing attachments or removing material from the unit.

1. Remove the battery.
2. Press the release tabs on the spool base and remove the retainer by pulling it straight out (Fig. 15)
3. Remove the spool. Use a clean cloth to clean the inner surface of the spool retainer and spool base.

NOTICE: Always clean the spool retainer and spool base before reassembling the trimmer head.

4. Check the spool retainer, spool and spool base for wear. If necessary, replace the worn parts.
5. Place a pre-wound spool on the spool retainer.
6. Align the notches of the spool from which the lines protrude with the eyelets in the spool retainer and position the spool in the retainer (Fig. 19).
7. Hold the spool and spool retainer; grasp the line and pull it to release the line from the notch in the eyelet (Fig. 20).
8. With the spool base facing downward, align the slots in the spool retainer with the tabs on the spool base and press the retainer evenly down until it snaps into place (Fig. 21).

NOTICE: Make sure that the tabs on the spool base snap into place or the spool will come out during operation.

MAINTENANCE

⚠ WARNING: When servicing, use only identical replacement parts. Use of any other parts may create a hazard or cause product damage. To ensure safety and reliability, all repairs should be performed by a qualified service technician.

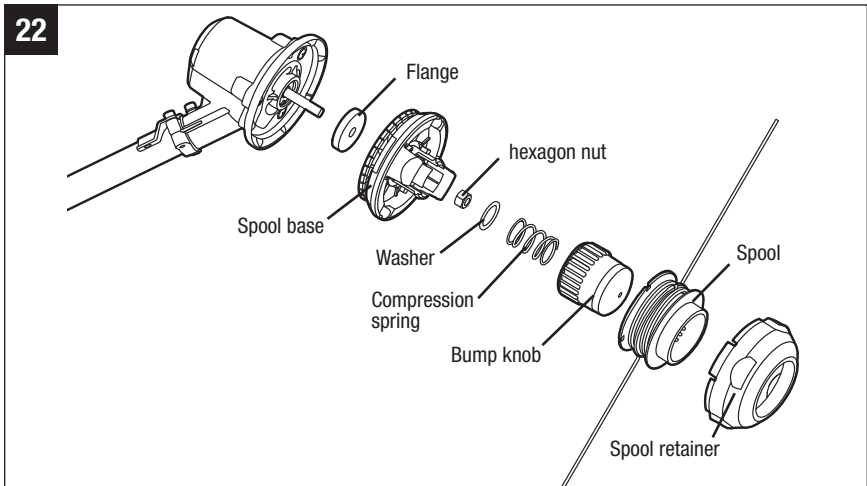
⚠ WARNING: Battery tools do not have to be plugged into an electrical outlet; therefore, they are always in operating condition. To prevent serious personal injury, take extra precautions and care when performing maintenance, service or for changing the cutting attachment or other attachments.

⚠ WARNING: To prevent serious personal injury, remove the battery pack from the tool before servicing, cleaning, changing add-on attachments or removing material from the unit.

REPLACE THE TRIMMER HEAD

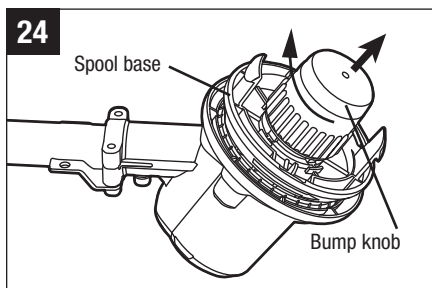
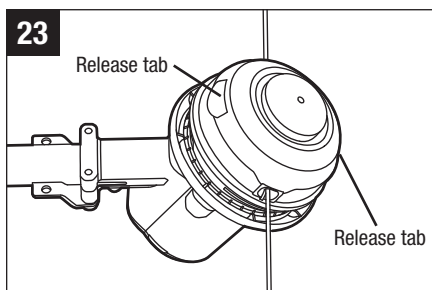
DANGER: If the head loosens after it is fixed in position, replace it immediately. Never use a trimmer with a loose cutting attachment. Replace a cracked, damaged or worn-out cutting head immediately, even if damage is limited to superficial cracks. Such attachments may shatter at high speed and cause serious injury.

⚠ WARNING: Always remove the battery pack from the product when you are assembling parts, making adjustments, cleaning, or when the product is not in use.

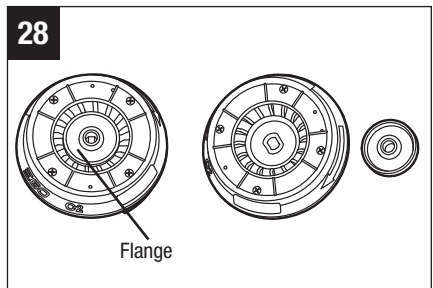
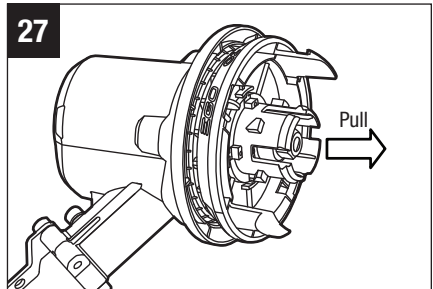
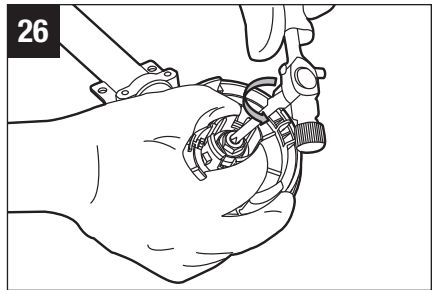
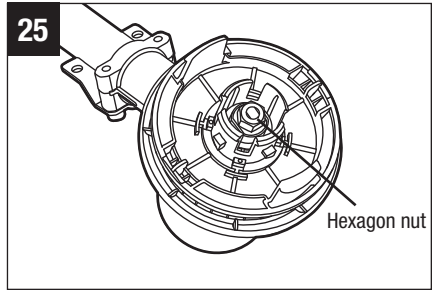


Remove the trimmer head

1. Press the two release tabs on the spool base to remove the spool and spool retainer (Fig. 23).
2. While holding the spool base, turn the bump knob clockwise until it stops, then pull the bump knob straight out from the base (Fig. 24).

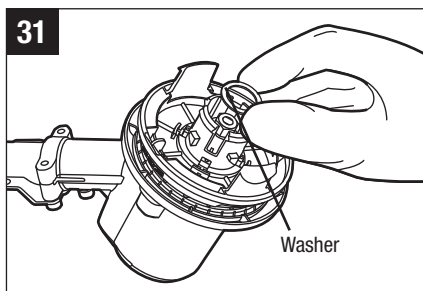
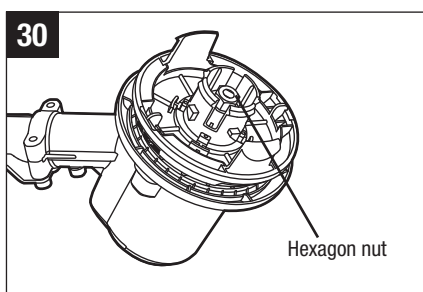
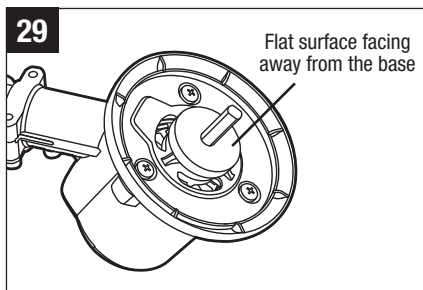


3. Wear gloves to hold the spool base with one hand, and, with the other hand, use a 1/2" (13mm) manual socket wrench to turn the hexagon nut counterclockwise to loosen it (Fig. 25 & 26).
4. Hold the spool base and pull it straight out from the motor shaft (Fig. 27).
5. Remove the flange from the base and save for later use it to secure the new trimmer head (Fig. 28).

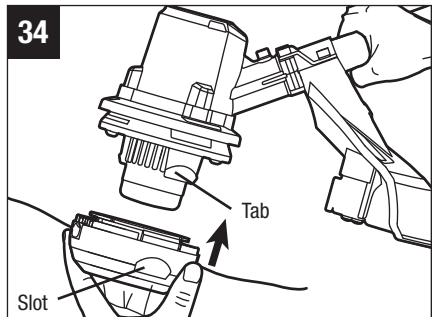
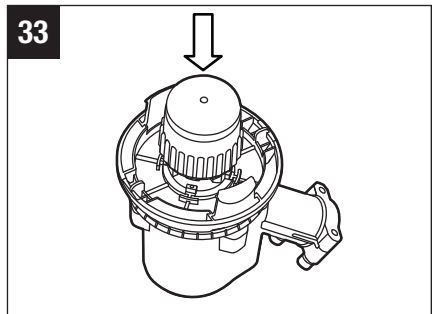
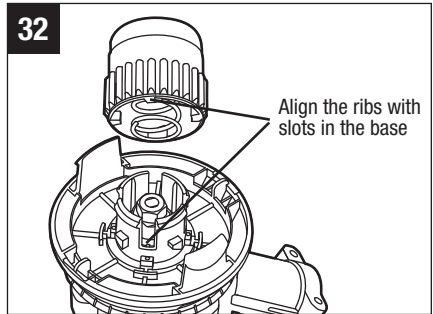


Install the new trimmer head

1. Position the flange removed in step 5, above, onto the motor shaft with the flat surface facing away from the base (Fig. 29).
2. Align the mounting hole in the spool base with the motor shaft and mount the base onto the shaft.
3. Wear gloves to hold the spool base with one hand, and, with the other hand, use a 1/2" (13mm) manual socket wrench to turn the hexagon nut clockwise to tighten it (Fig. 30).
4. Check to make sure that the washer does not fall out of the base. Fix the washer into the spool base as shown below (Fig. 31).



5. Position the trimmer so the motor housing is on the ground. Align one of the ribs in the bump knob with the slot in the spool base and lower the bump knob onto the base (Fig. 32).
6. Use your palm to press the bump knob until it is well seated and locked into position in the base; you hear a click when it is seated (Fig. 33).
7. With the spool base facing downward, align the slots in the spool retainer with the tabs on the spool base and press the retainer evenly down until it snaps into place (Fig. 34).



CLEAN THE UNIT

- Clear any grass that may have wrapped itself around the motor shaft or trimmer head.
- Use a small brush or the air discharge of a small vacuum cleaner brush to clean the air vents on the rear housing.
- Keep the air vents free of obstructions.
- Clean the unit using a damp cloth with a mild detergent.
- Do not use any strong detergents on the plastic housing or the handle. They can be damaged by certain aromatic oils, such as pine and lemon, and by solvents such as kerosene. Moisture can also cause a shock hazard. Wipe off any moisture with a soft dry cloth.

SHARPEN THE LINE-CUTTING BLADE

⚠ WARNING: Always protect your hands by wearing heavy gloves when performing any maintenance on the line-cutting blade.

1. Remove the line-cutting blade from the guard.
2. Secure the blade in a vise.
3. Wear proper eye protection and gloves and be careful not to cut yourself.
4. Carefully file the cutting edges of the blade with a fine-tooth file or sharpening stone, maintaining the original cutting edge angle.
5. Replace the blade on the guard and secure it in place with the two screws.

STORING THE UNIT

- Remove the battery pack from the trimmer.
- Clean the tool thoroughly before storing it.
- Store the unit in a dry, well-ventilated area, locked-up or up high, out of the reach of children. Do not store the unit on or adjacent to fertilizers, gasoline, or other chemicals.

TROUBLESHOOTING

PROBLEM	CAUSE	SOLUTION
String trimmer fails to start.	<ul style="list-style-type: none"> ■ The battery pack is not attached to the trimmer. ■ No electrical contact between the trimmer and battery. ■ The battery pack is depleted. ■ The lock-off lever and trigger are not depressed simultaneously. 	<ul style="list-style-type: none"> ■ Attach the battery pack to the trimmer. ■ Remove battery, check contacts and reinstall the battery pack. ■ Charge the battery pack. ■ Press down the lock-off lever and hold it, then depress the trigger to turn on the string trimmer.
String trimmer stops while cutting.	<ul style="list-style-type: none"> ■ The guard is not mounted on the trimmer, resulting in an overly long cutting line and motor overload. ■ Heavy cutting line is used. ■ The motor shaft or trimmer head is bound with grass. ■ The motor is overloaded. ■ The battery pack or string trimmer is too hot. ■ The battery pack is disconnected from the tool. ■ The battery pack is depleted. 	<ul style="list-style-type: none"> ■ Remove the battery pack and mount the guard on the trimmer. ■ Use standard nylon cutting line with a diameter that does not exceed 0.095 in. (2.4 mm). ■ Stop the trimmer, remove the battery, and remove the grass from the motor shaft and trimmer head. ■ Remove the trimmer head from the grass. The motor will recover to work as soon as the load is removed. When cutting, move the trimmer head in and out of the grass to be cut and remove no more than 8 inches of length in a single cut. ■ Allow the battery pack or trimmer to cool until the temperature drops below 152°F (67°C). ■ Re-install the battery pack. ■ Charge the battery pack.

<p>Trimmer head will not advance line.</p>	<ul style="list-style-type: none"> ■ The motor shaft or trimmer head is bound with grass. ■ There is not enough line on the spool. ■ The trimmer head is dirty. ■ The line is tangled on the spool. ■ The line is too short. 	<ul style="list-style-type: none"> ■ Stop the trimmer, remove the battery, and clean the motor shaft and trimmer head. ■ Remove the battery and replace the cutting line; follow the section "LINE REPLACEMENT" in this manual. ■ Remove the battery and clean the spool, spool retainer and spool base. ■ Remove the battery, remove the line from the spool and rewind; follow the section "LINE REPLACEMENT" in this manual. ■ Remove the battery and pull the lines while alternately pressing down on and releasing the bump knob.
<p>Grass wraps around trimmer head and motor housing.</p>	<ul style="list-style-type: none"> ■ Cutting tall grass at ground level. 	<ul style="list-style-type: none"> ■ Cut tall grass from the top down, removing no more than 8 inches in each pass to prevent wrapping.
<p>Line is not cutting well.</p>	<ul style="list-style-type: none"> ■ The line-cutting blade on the edge of the guard has become dull. 	<ul style="list-style-type: none"> ■ Sharpen the line-cutting blade with a file or replace it with a new blade.
<p>The spool retainer loosens after it is fixed in position or drops while cutting.</p>	<ul style="list-style-type: none"> ■ The trimmer head is worn out. 	<ul style="list-style-type: none"> ■ Replace the trimmer head immediately; follow the section " REPLACE THE TRIMMER HEAD" in this manual.

EGO WARRANTY POLICY

5 year limited warranty on EGO outdoor power equipment and 3 year limited warranty on EGO Power+ System battery packs and chargers.

Please contact EGO Customer Service Toll-Free at 1-855-EGO-5656 any time you have questions or warranty claims.

LIMITED SERVICE WARRANTY

FOR FIVE YEARS from the date of original retail purchase, this EGO product is warranted against defects in material or workmanship. Defective product will receive free repair.

FOR THREE YEARS from the date of original retail purchase, the EGO Power+ System battery pack and charger are warranted against defects in material or workmanship. Defective product will receive free repair.

This warranty does not cover the damage resulting from modification, alteration or unauthorized repair or from use of any cutting line other than standard nylon cutting line with a diameter that does not exceed 0.095 in. (2.4 mm) recommended for use with this product.

- a) This warranty applies only to the original purchaser from an authorized EGO retailer and may not be transferred. Authorized EGO retailers are identified online at <http://egopowerplus.com/pages/warranty-policy>.
- b) The warranty period for any EGO product or part used for industrial, professional or commercial purpose is one year.
- c) This warranty is void if the product has been used for rental purpose.
- d) This warranty does not cover the damage resulting from modification, alteration or unauthorized repair or from use of any cutting line other than standard nylon cutting line with a diameter that does not exceed 0.095 in. (2.4 mm) recommended for use with this product.
- e) This warranty only covers defects arising under normal usage and does not cover any malfunction, failure or defect resulting from misuse, abuse (including overloading of the product beyond capacity and immersion in water or other liquid), accidents, neglect or lack of proper installation, and improper maintenance or storage.
- f) This warranty does not cover normal deterioration of the exterior finish, including but not limited to scratches, dents, paint chips, or to any corrosion or discoloring by heat, abrasive and chemical cleaners.



HOW TO OBTAIN SERVICE

For warranty service, please contact EGO customer service toll-free at 1-855-EGO-5656. When requesting warranty service, you must present the original dated sales receipt. An authorized service center will be selected to repair the product according to the stated warranty terms.

ADDITIONAL LIMITATIONS

To the extent permitted by applicable law, all implied warranties, including warranties of MERCHANTABILITY or FITNESS FOR A PARTICULAR PURPOSE, are disclaimed. Any implied warranties, including warranties of merchantability or fitness for a particular purpose, that cannot be disclaimed under state law are limited to five years from the date of purchase for outdoor power equipment and three years from date of purchase for battery pack and charger.

Chervon North America is not responsible for direct, indirect, incidental or consequential damages.

Some states do not allow limitations on how long an implied warranty lasts and/or do not allow the exclusion or limitation of incidental or consequential damages, so the above limitations may not apply to you.

This warranty gives you specific legal rights, and you may also have other rights which vary from state to state.

For customer service contact us toll-free at: 1-855-EGO-5656 or EGOPOWERPLUS.COM

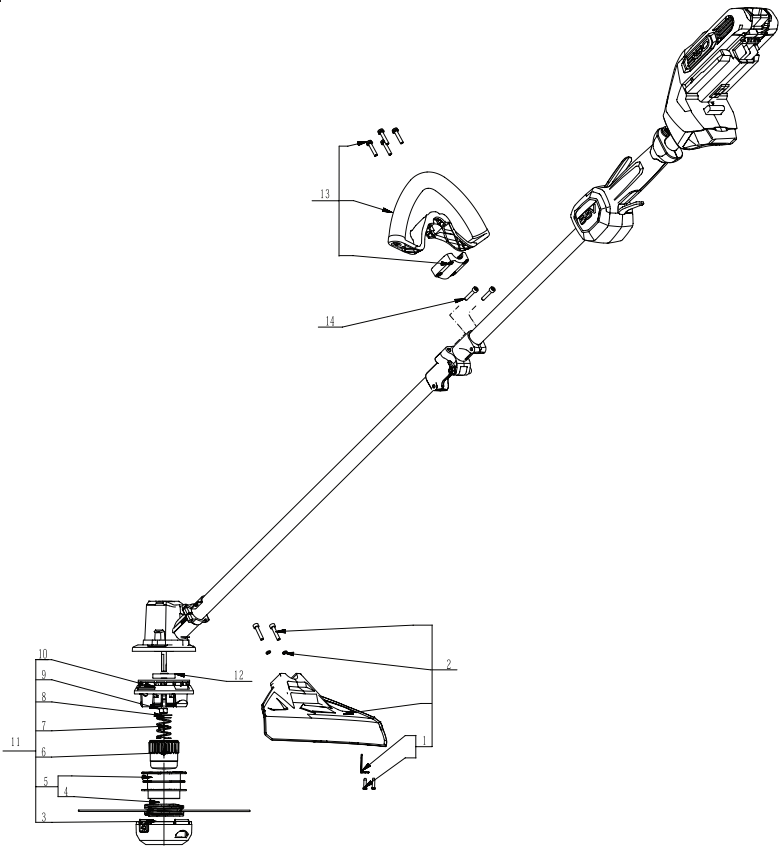
EGO Customer Service, 120 Ionia Street SW / Suite 102 Grand Rapids, MI 49503

PART LIST

56V LITHIUM-ION CORDLESS STRING TRIMMER MODEL NUMBER ST1500/ST1500-S

The Model Number will be found on the Nameplate attached to the housing of the string trimmer. Always mention the Model Number when ordering parts for this tool.

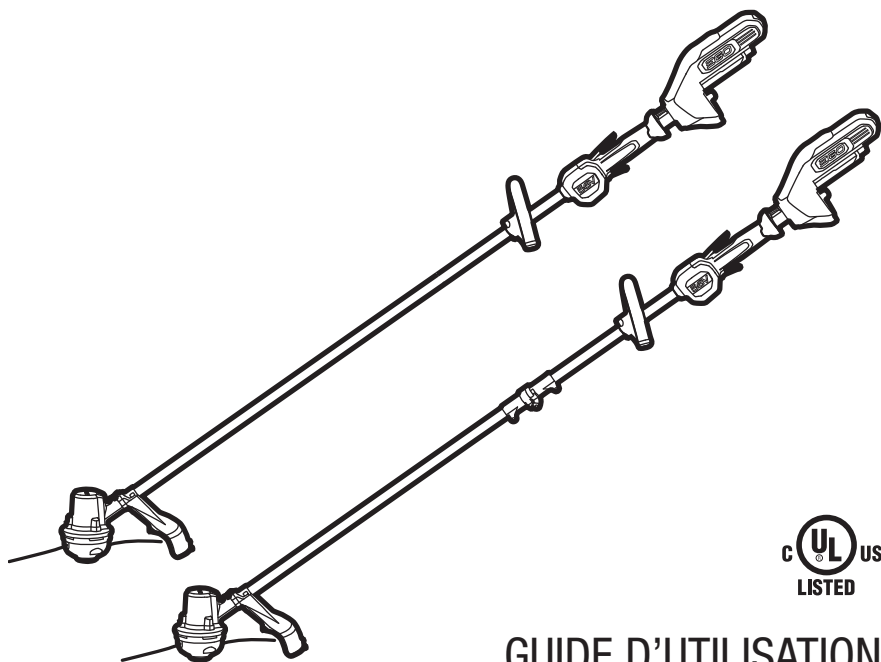
35



INDEX NUMBER	PART NO.	DESCRIPTION	QTY
1	2823713000	Blade Set	1
2	2824011000	Guard Assembly	1
3	2824019000	Lower Housing Assembly	1
4	3800103000	Trimmer Line	1
5	2824087000	Mounting Wire Holder Set	1
6	2824022000	Support Head Assembly	1
7	3660582000	Compression Spring	1
8	5650349000	Washer	1
9	5630271000	Hexagon nut	1
10	2824082000	Upper Housing Assembly	1
11	2824021000	Cutting Head Set	1
12	3520800000	Flange	1
13	2823711000	Handle Assembly	1
14	5620216000	Bolts for locking shaft (ST1500-S Only)	2

EGO[®]

POWER⁺ STRING TRIMMER



GUIDE D'UTILISATION

TAILLE-BORDURE SANS FIL DE 38,1 CM À BLOC-PILE AU LITHIUM-ION DE 56 VOLTS

NUMÉRO DE MODÈLE
ST1500 (TIGE DROITE)/
ST1500-S (TIGE À CHARNIÈRE)

⚠ AVERTISSEMENT : Afin de réduire les risques de blessure, l'utilisateur doit lire et comprendre le guide d'utilisation avant d'utiliser ce produit. Conservez le présent guide afin de pouvoir le consulter ultérieurement.

TABLE DES MATIÈRES

Symboles de sécurité	40
Consignes de sécurité	41-45
Introduction	45
Caractéristiques techniques	46
Liste des pièces contenues dans l'emballage	46-48
Description	49-50
Assemblage	51
Fonctionnement	52-61
Entretien	61-67
Dépannage	68-69
Garantie	70-71
Liste des pièces	72-73

LISEZ TOUTES LES INSTRUCTIONS!



LIRE ET COMPRENDRE TOUTES LES
INSTRUCTIONS DU GUIDE.

⚠ AVERTISSEMENT : Certaines poussières produites par l'utilisation d'outils de coupe électriques contiennent des produits chimiques reconnus par l'État de Californie comme causes de cancers, d'anomalies congénitales et de problèmes du système reproducteur. Voici des exemples de ces produits chimiques :

- le plomb contenu dans la peinture au plomb;
- la silice cristallisée contenue dans les briques, le ciment et d'autres produits de maçonnerie; et
- l'arsenic et le chrome contenus dans le bois d'œuvre traité avec des produits chimiques.

Les risques liés à l'exposition à ces produits varient en fonction de la fréquence à laquelle vous effectuez ce type de travaux. Pour réduire votre exposition à ces produits chimiques : travaillez dans une zone bien ventilée et portez l'équipement de sécurité approuvé, comme les masques antipoussières conçus pour ne pas laisser passer les particules microscopiques.

SYMBOLES DE SÉCURITÉ

L'objectif des symboles de sécurité est d'attirer votre attention sur les dangers potentiels. Vous devez examiner attentivement et bien comprendre les symboles de sécurité et les explications qui les accompagnent. Les symboles d'avertissement en tant que tels n'éliminent pas le danger.

Les consignes et les avertissements qui y sont associés ne remplacent en aucun cas les mesures préventives adéquates.

⚠ AVERTISSEMENT : Avant d'utiliser ce taille-bordure, assurez-vous de lire et de comprendre toutes les consignes de sécurité présentées dans le présent guide d'utilisation, notamment toutes les consignes de sécurité indiquées par « DANGER », « AVERTISSEMENT » et « ATTENTION ». Le fait de ne pas respecter toutes les consignes de sécurité ci-dessous peut causer une décharge électrique, un incendie ou des blessures graves.

SIGNIFICATION DES SYMBOLES

⚠ SYMBOLE D'ALERTE DE SÉCURITÉ : Indique un DANGER, un AVERTISSEMENT ou une MISE EN GARDE. Il peut être associé à d'autres symboles ou pictogrammes.



⚠ AVERTISSEMENT! L'utilisation de tout outil électrique peut entraîner la projection de corps étrangers dans les yeux et ainsi causer des lésions oculaires graves. Avant d'utiliser un outil électrique, veuillez à toujours porter des lunettes de sécurité couvrantes ou à écrans latéraux, ou un masque complet au besoin. Nous recommandons le port d'un masque de sécurité panoramique par-dessus les lunettes de vue ou de lunettes de sécurité standard avec écrans latéraux. Portez toujours des lunettes de sécurité conformes à la norme ANSI Z87.1.

CONSIGNES DE SÉCURITÉ

Vous trouverez ci-dessous les symboles de sécurité qui peuvent être présents sur le produit, accompagnés de leur description. Vous devez lire, comprendre et suivre toutes les instructions présentes sur l'appareil avant d'entamer son assemblage ou sa manipulation.

	Alerte de sécurité	Indique un risque de blessure.
	Lire le guide d'utilisation	Afin de réduire les risques de blessure, l'utilisateur doit lire le guide d'utilisation.
	Lunettes de sécurité	Lorsque vous utilisez l'article, portez toujours des lunettes de sécurité couvrantes ou à écrans latéraux, ou un masque complet.
	Symboles de recyclage	Le produit fonctionne à l'aide de piles au lithium-ion (Li-ion). La législation locale, provinciale ou fédérale peut interdire la mise au rebut des blocs-piles dans une poubelle ordinaire. Consultez l'organisme local de gestion des déchets au sujet des possibilités offertes en ce qui concerne la mise au rebut ou le recyclage.
IPX4	Niveau de protection d'indice	Protection contre les projections d'eau
V	Volt	Tension
mm	Millimètre	Longueur ou taille
cm	Centimètre	Longueur ou taille
in.	Pouce	Longueur ou taille
kg	Kilogramme	Poids
lb	Livre	Poids
CC	Courant continu	Type de courant ou caractéristique de courant
TR/MIN	Tours par minute	Vitesse de rotation

⚠ DANGER : Les personnes qui portent des dispositifs électroniques, comme un stimulateur cardiaque, doivent consulter leur médecin avant d'utiliser l'article. L'utilisation d'équipement électrique à proximité d'un stimulateur cardiaque peut causer des interférences et l'arrêt du stimulateur.

CONSIGNES DE SÉCURITÉ IMPORTANTES

⚠ AVERTISSEMENT! Lorsque vous utilisez le taille-bordure, vous devez toujours suivre les consignes de sécurité élémentaires ci-dessous afin de réduire le risque d'incendie, de décharge électrique et de blessure.

LISEZ TOUTES LES INSTRUCTIONS!

⚠ DANGER! Ne comptez pas sur l'isolation du taille-bordure pour vous protéger des décharges électriques. Afin de réduire les risques d'électrocution, n'utilisez jamais l'outil à proximité de fils ou de câbles susceptibles d'être sous tension.

⚠ ATTENTION! Portez des protecteurs d'oreilles appropriés lorsque vous utilisez le taille-bordure. Dans certaines conditions et selon la durée d'utilisation, le bruit produit par le taille-bordure peut entraîner une perte auditive.

- Maintenez les enfants à l'écart. Tous les visiteurs doivent se tenir à une distance d'au moins 30,48 m de la zone de travail.
- Évitez les environnements dangereux - Ne pas utiliser d'appareils de pente humide ou mouillé.
- Habillez-vous convenablement. Ne portez pas de vêtements amples ni de bijoux qui peuvent s'accrocher. Ils pourraient se coincer dans les pièces mobiles du taille-bordure. Le port de gants de caoutchouc et de chaussures adaptées est recommandé lorsque vous travaillez à l'extérieur. Portez une coiffe de protection pour retenir les cheveux longs.
- Portez des lunettes de sécurité. Portez toujours un masque de protection ou un masque antipoussières lorsque l'endroit est poussiéreux.
- Utilisez l'outil adapté à la tâche. N'utilisez pas le taille-bordure à des fins autres que celles pour lesquelles il a été conçu.
- Ne forcez pas le taille-bordure. Si vous l'utilisez au rythme approprié, il vous permettra de mieux accomplir le travail avec moins de risques de blessure.
- N'essayez pas d'étendre votre portée. Gardez une posture sécuritaire et un bon équilibre en tout temps.
- Soyez vigilant. Faites attention à ce que vous faites. Faites preuve de bon sens. N'utilisez pas le taille-bordure lorsque vous êtes fatigué.
- N'utilisez pas le taille-bordure sous l'effet de l'alcool ou de drogues.
- Assurez-vous que les protecteurs sont bien en place et en état de fonctionnement.
- Gardez les mains et les pieds à distance de la zone de coupe.

- Rangez le taille-bordure à l'intérieur. Lorsque vous n'utilisez pas le taille-bordure, rangez-le à l'intérieur, hors de portée des enfants, dans un endroit sec et en hauteur ou dans un endroit verrouillé, et retirez le bloc-pile.
- Entretenez soigneusement le taille-bordure. Gardez l'accessoire de coupe propre pour obtenir un meilleur rendement et pour réduire les risques de blessure. Suivez les instructions pour changer les accessoires. Les poignées doivent toujours être sèches, propres et exemptes d'huile ou de graisse.
- Vérifiez si des pièces sont endommagées. Avant d'utiliser le taille-bordure, inspectez soigneusement les protecteurs ou les autres pièces endommagées pour déterminer s'ils peuvent fonctionner correctement et être utilisés normalement. Vérifiez l'alignement des pièces mobiles et leur fixation ainsi que l'état et l'assemblage des pièces, et recherchez tout autre problème pouvant nuire au fonctionnement du taille-bordure. Si un protecteur ou une autre pièce sont endommagés, ils doivent être réparés correctement ou remplacés par un centre de service autorisé à moins d'indications contraires dans le présent guide.
- Avant chaque utilisation, dégagez l'aire de travail. Enlevez tous les objets, comme les cailloux, les éclats de verre, les clous, les câbles ou les fils, qui pourraient être projetés par le taille-bordure ou qui pourraient rester coincés dans le dispositif de coupe. Assurez-vous qu'il n'y a aucune personne ni aucun animal à moins de 30,48 m.
- Lorsque vous utilisez le taille-bordure, tenez-le fermement par les poignées, avec les deux mains. Refermez les doigts et les pouces autour des poignées.
- Pour éviter de mettre en marche le taille-bordure accidentellement, ne le transportez pas en ayant le doigt sur la gâchette.
- Ne faites pas fonctionner le taille-bordure dans un endroit présentant un risque d'explosion ni en présence de gaz. Le moteur du taille-bordure produit habituellement des étincelles qui pourraient enflammer les vapeurs.
- Taille-bordure endommagé : si vous heurtez un objet quelconque avec le taille-bordure, ou si un objet s'introduit dans le taille-bordure, arrêtez ce dernier immédiatement. Vérifiez s'il est endommagé et, le cas échéant, faites-le réparer avant de le réutiliser. N'utilisez pas le taille-bordure si le protecteur ou la bobine sont brisés.
- Si le taille-bordure venait à vibrer de manière anormale, arrêtez le moteur et trouvez immédiatement la cause des vibrations. Les vibrations indiquent généralement un problème. Une tête desserrée peut vibrer, se fissurer, se briser ou se détacher du taille-bordure et ainsi entraîner des blessures graves, voire mortelles. Assurez-vous que le dispositif de coupe est correctement fixé. Si la tête se desserre après avoir été mise en place, remplacez-la immédiatement. N'utilisez jamais le taille-bordure si le dispositif de coupe n'est pas serré fermement.

- Remplacez immédiatement la tête de coupe si elle est fissurée, endommagée ou usée, même si elle ne présente que des fissures superficielles. Ces pièces peuvent se briser à haute vitesse et causer des blessures graves, voire mortelles.
- Lorsque vous utilisez le taille-bordure, vérifiez régulièrement le dispositif de coupe, ou dès que vous remarquez un changement au niveau de la coupe.
- Lorsque vous remplacez le fil de coupe, utilisez uniquement le fil de nylon AL0951 de 2,41 mm (0.095 po). L'utilisation d'un fil dont le calibre est supérieur à celui recommandé par le fabricant augmente la charge imposée au moteur et diminue la vitesse de fonctionnement. De plus, cela entraîne une surchauffe et peut endommager le taille-bordure.
- Afin de réduire les risques de blessure grave, n'utilisez jamais de fil métallique, de fil renforcé de métal ni d'autre matériau à la place du fil de coupe en nylon. Des morceaux de métal pourraient être projetés à grande vitesse vers vous ou les personnes à proximité.
- Pour réduire les risques de blessure causée par une perte de contrôle, n'utilisez jamais le taille-bordure lorsque vous êtes sur une échelle ou sur un autre type d'échafaudage instable. Ne tenez jamais le dispositif de coupe au-dessus de la taille.
- S'il se produit une situation qui ne figure pas dans le présent manuel, faites preuve de prudence et de jugement. Communiquez avec le centre de service d'EGO pour obtenir de l'aide.
- Ne rechargez pas le bloc-pile sous la pluie ni dans un endroit humide.
- Utilisez le produit uniquement avec les blocs-piles et les chargeurs indiqués ci-dessous :

BLOC-PILE	CHARGEUR
BA1120, BA1400, BA2240, BA2800, BA4200	CH5500 CH2100

- Ne jetez pas le bloc-pile au feu. Les cellules pourraient exploser. Consultez la réglementation locale pour connaître les instructions de mise au rebut.
- N'ouvrez pas et n'abîmez pas le bloc-pile. L'électrolyte qu'il contient est corrosif et peut causer des lésions oculaires ou cutanées. Il peut être toxique s'il est ingéré.
- Manipulez le bloc-pile avec soin pour ne pas créer un court-circuit avec des matériaux conducteurs comme des bagues, des bracelets ou des clés. Le bloc-pile ou le conducteur peuvent surchauffer et causer des brûlures.

- Pièces de rechange : lorsque vous procédez à l'entretien, utilisez uniquement des pièces de remplacement EGO identiques aux pièces d'origine. L'utilisation de toute autre pièce peut augmenter le risque de blessure.
- Les outils munis d'un bloc-pile n'ont pas besoin d'être branchés sur une prise de courant. Par conséquent, ils sont toujours prêts à l'emploi. Gardez à l'esprit qu'il existe des dangers potentiels même lorsque l'outil ne fonctionne pas. Soyez prudents lorsque vous effectuez l'entretien ou des réparations.
- Enlevez ou débranchez le bloc-pile avant de procéder à l'entretien ou au nettoyage du taille-bordure ou de retirer des pièces.
- Ne nettoyez pas le taille-bordure avec un jet d'eau, car de l'eau pourrait s'infiltrer dans le moteur et les connexions électriques.
- Conservez ces instructions. Consultez-les régulièrement et utilisez-les pour expliquer le fonctionnement de l'outil à d'autres personnes qui l'utiliseraient. Si vous prêtez cet outil à une personne, prêtez-lui également ces instructions afin de prévenir un usage inapproprié et des blessures potentielles.

CONSERVEZ CES INSTRUCTIONS!

INTRODUCTION

Nous vous félicitons d'avoir choisi ce taille-bordure EGO sans fil de 30,48 cm à bloc-pile au lithium-ion de 56 volts. Cette scie a été conçue et fabriquée afin de vous offrir la meilleure fiabilité et le meilleur rendement possible.

Si vous éprouvez un problème que vous n'arrivez pas à régler facilement, veuillez communiquer avec le centre de service à la clientèle d'EGO au 1 855 EGO-5656.

Le présent guide contient des renseignements importants pour assembler, utiliser et entretenir le taille-bordure en toute sécurité. Lisez-le soigneusement avant d'utiliser le taille-bordure. Conservez ce guide à portée de main afin de pouvoir le consulter à tout moment.

NUMÉRO DE SÉRIE _____ DATE D'ACHAT_ _____

NOUS VOUS RECOMMANDONS DE NOTER LE NUMÉRO DE SÉRIE ET LA DATE D'ACHAT ET DE LES CONSERVER EN LIEU SÛR AFIN DE POUVOIR LES CONSULTER ULTÉRIEUREMENT.

CARACTÉRISTIQUES TECHNIQUES

Tension	56 V, CC
Vitesse à vide	4000-5800 TR/MIN
Mécanisme de coupe	Tête de coupe
Type de fil de coupe	Fil de nylon de 2,41 mm (0.095 po) AL0951
Largeur de coupe	38,1 cm (15 po)
Poids (sans le bloc-pile)	3,04 kg (6,7 lb)

Liste des pièces contenues dans l'emballage

Nom de pièce	Quantité
Taille-bordure	1
Protecteur	1
Poignée de manœuvre avant	1
Clé hexagonale M5	1
Boulons pour verrouiller le manche (seulement pour le modèle ST1500S)	2
Guide d'utilisation	1

DÉPLIAGE DU MANCHE (SEULEMENT POUR LE MODÈLE ST1500-S)

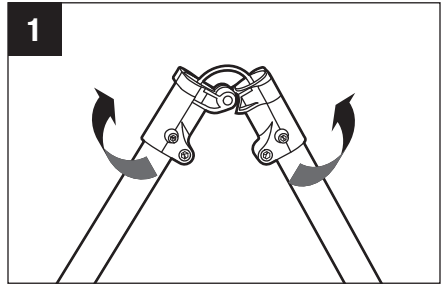
⚠ AVERTISSEMENT : Pour éviter de vous coincer les mains ou les doigts, ne tenez pas le manche au niveau des joints.

⚠ AVERTISSEMENT : Ne tentez pas de démarrer le taille-bordure avant d'avoir verrouillé le manche.

⚠ AVERTISSEMENT : Enlevez toujours le bloc-pile de l'outil lorsque vous assemblez des pièces, procédez à des ajustements ou à son nettoyage ou lorsque le produit n'est pas utilisé.

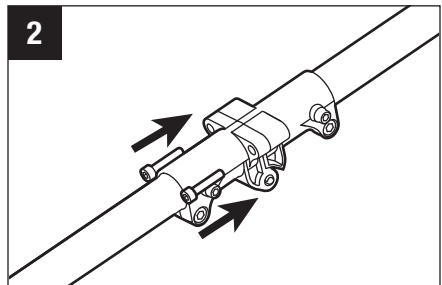
1. Retirez le bloc-pile du taille-bordure.

- Placez votre taille-bordure au sol, puis déployez le manche avec précaution. Assurez-vous que le câble est à l'intérieur du manche pour éviter qu'il ne soit coincé lors de la fermeture des joints (figure 1).
- Utilisez la clé hexagonale M5 pour verrouiller le manche avec les deux boulons fournis (figure 2).



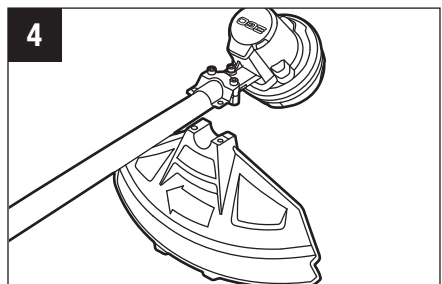
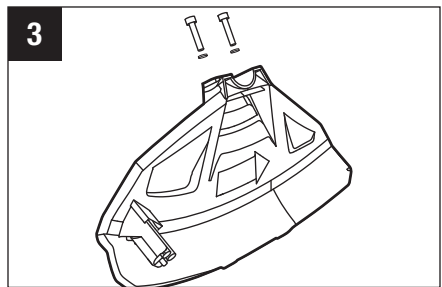
INSTALLATION DU PROTECTEUR

⚠ AVERTISSEMENT : Portez toujours des gants lorsque vous installez le protecteur ou le remplacez. Faites attention à la lame du protecteur et protégez vos mains pour éviter de vous couper avec la lame.



⚠ AVERTISSEMENT : Enlevez toujours le bloc-pile de l'outil lorsque vous assemblez des pièces, procédez à des ajustements ou à son nettoyage ou lorsque le produit n'est pas utilisé.

- Retirez le bloc-pile du taille-bordure.
- Desserrez les deux boulons du protecteur à l'aide de la clé hexagonale M5; retirez les boulons et les rondelles à ressort du protecteur (figure 3).
- Soulevez la tête du taille-bordure et placez-la vers le bas. Alignez les deux trous de montage du protecteur aux deux trous de fixation à la base de la tige. Assurez-vous que la surface interne du protecteur est face à la tête du taille-bordure (figure 4).

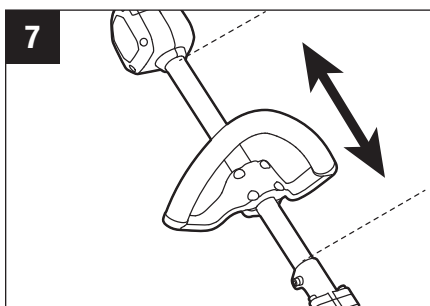
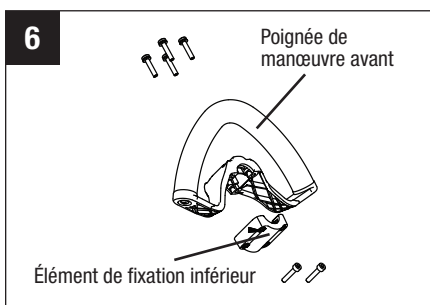
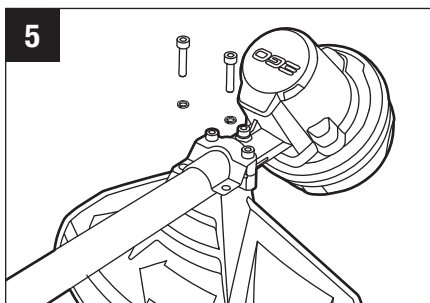


4. Verrouillez le protecteur à l'aide des boulons et de la clé hexagonale M5 (figure 5).

INSTALLATION ET RÉGLAGE DE LA POIGNÉE DE MANŒUVRE AVANT

⚠ AVERTISSEMENT : Enlevez toujours le bloc-pile de l'outil lorsque vous assemblez des pièces, procédez à des ajustements ou à son nettoyage ou lorsque le produit n'est pas utilisé.

1. Retirez le bloc-pile du taille-bordure.
2. Desserrez les quatre vis de la poignée à l'aide d'un tournevis cruciforme (non inclus), puis retirez les vis et l'élément de fixation inférieur de la poignée (figure 6).
3. Placez la poignée de manœuvre avant et l'élément de fixation inférieur sur le manche et fixez-les sans serrer complètement les quatre vis. Tournez la poignée de manœuvre avant en l'orientant vers le haut de façon à ce qu'elle pointe vers le haut du manche (figure 7).

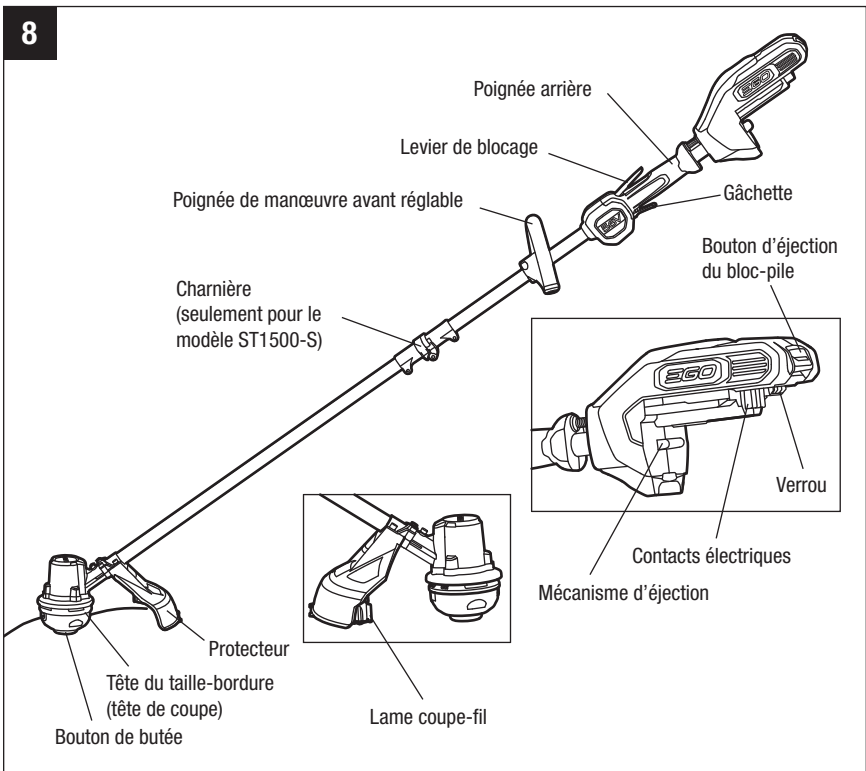


4. Réglez la position de la poignée de manœuvre avant entre l'extrémité inférieure du boîtier de la poignée arrière et le joint du manche, comme l'illustre la figure 7. Pour le modèle ST1500, ajustez la position de la poignée afin qu'elle se situe entre l'extrémité inférieure du boîtier de la poignée arrière et l'étiquette d'avertissement sur le manche. Les utilisateurs plus petits peuvent régler la poignée en position plus basse (loin d'eux) et les plus grands peuvent la régler en position plus haute (vers eux). La poignée doit être réglée de façon à ce que votre bras soit droit lorsque vous utilisez le taille-bordure.
5. Vissez fermement les quatre vis afin que la poignée ne tourne pas sur le manche.

DESCRIPTION

FAMILIARISEZ-VOUS AVEC LE TAILLE-BORDURE (Figure 8)

Pour utiliser ce produit en toute sécurité, vous devez comprendre les renseignements le concernant contenus dans ce guide d'utilisation et connaître le projet que vous entreprenez. Avant d'utiliser ce produit, familiarisez-vous avec toutes les caractéristiques de fonctionnement et consignes de sécurité.



⚠ AVERTISSEMENT : N'utilisez jamais le taille-bordure si le protecteur n'est pas bien en place. Le protecteur doit toujours être installé sur le taille-bordure pour vous protéger.

POIGNÉE DE MANŒUVRE AVANT RÉGLABLE

Permet de contrôler facilement la taille-bordure pendant la coupe.

POIGNÉE ARRIÈRE

Poignée ergonomique surmoulée améliorant le confort et la prise.

GÂCHETTE

Permet de mettre en marche et d'arrêter la taille-bordure et d'en ajuster la vitesse de la tête.

LEVIER DE BLOCAGE

Aide à prévenir l'activation accidentelle de la gâchette. Il doit être maintenu enfoncé afin d'enclencher la gâchette.

CHARNIÈRE (SEULEMENT POUR LE MODÈLE ST1500-S)

Raccorde et verrouille les deux parties du manche.

TÊTE DU TAILLE-BORDURE (TÊTE DE COUPE)

Dispositif de coupe pour couper l'herbe.

BOUTON DE BUTÉE

Lorsque la taille-bordure fonctionne, frappez légèrement le bouton contre le sol pour dégager le fil de coupe.

PROTECTEUR

Conçu pour réduire les risques de blessure causée par la projection d'objets quelconques vers l'utilisateur par le dispositif de coupe ou pour empêcher tout contact avec le dispositif de coupe.

LAME COUPE-FIL

Lame en acier située sur le protecteur qui permet de garder le fil de coupe à la longueur appropriée.

BOUTON D'ÉJECTION DU BLOC-PILE

Permet de retirer le bloc-pile du taille-bordure.

VERROU

Permet de bloquer le bloc-pile lorsque celui-ci est installé sur le taille-bordure.

MÉCANISME D'ÉJECTION

Aide à retirer le bloc-pile.

ASSEMBLAGE

⚠ AVERTISSEMENT : S'il y a des pièces manquantes ou endommagées, ne tentez pas d'utiliser la scie à chaîne tant que ces pièces n'auront pas été remplacées. L'utilisation du taille-bordure avec des pièces endommagées ou manquantes peut causer des blessures graves.

⚠ AVERTISSEMENT : Ne tentez pas de modifier le taille-bordure ou de créer des accessoires qui ne sont pas recommandés pour une utilisation avec ce taille-bordure. Toute altération ou modification de ce type constitue un usage inapproprié et peut engendrer une situation dangereuse susceptible de causer des blessures graves.

⚠ AVERTISSEMENT : Enlevez toujours le bloc-pile de l'outil lorsque vous assemblez des pièces, procédez à des ajustements ou à son nettoyage ou lorsque le produit n'est pas utilisé.

DÉBALLAGE

- Le taille-bordure doit être assemblé.
- Retirez soigneusement la scie à chaîne et toutes les pièces de l'emballage. Assurez-vous que toutes les pièces mentionnées sur la liste des pièces sont présentes.
- Inspectez soigneusement le taille-bordure pour vérifier qu'il n'a pas été endommagé pendant l'expédition.
- Ne jetez pas le matériel d'emballage avant d'avoir inspecté soigneusement le taille-bordure et de l'avoir fait fonctionner de manière satisfaisante.
- S'il y a des pièces manquantes ou endommagées, veuillez retourner le taille-bordure à l'endroit où vous l'avez acheté.

FONCTIONNEMENT

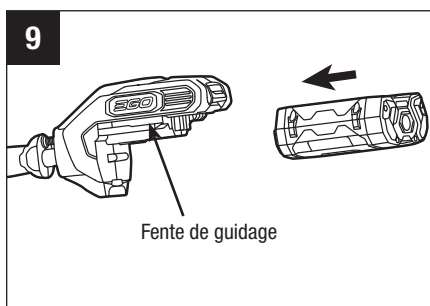
⚠ AVERTISSEMENT : Même si vous connaissez parfaitement le taille-bordure, soyez vigilant. N'oubliez pas qu'une fraction de seconde d'inattention suffit à se blesser gravement.

⚠ AVERTISSEMENT : Portez toujours des lunettes de sécurité avec écrans latéraux conformes à la norme ANSI Z87.1, ainsi que des protecteurs d'oreilles. Sinon, vous pourriez recevoir des débris dans les yeux et vous blesser gravement.

⚠ AVERTISSEMENT : N'utilisez pas de pièces ni d'accessoires qui ne sont pas recommandés par le fabricant de ce produit. L'utilisation de pièces ou d'accessoires non recommandés peut causer des blessures graves.

INSTALLATION ET RETRAIT DU BLOC-PILE (figures 9 et 10)

⚠ AVERTISSEMENT : Enlevez toujours le bloc-pile de l'outil lorsque vous assemblez des pièces, procédez à des ajustements ou à son nettoyage ou lorsque le produit n'est pas utilisé. Le retrait du bloc-pile permet de prévenir une mise en marche accidentelle pouvant occasionner des blessures graves.



REMARQUE : Chargez le bloc-pile au maximum avant sa première utilisation.

Installation du bloc-pile (figure 9)

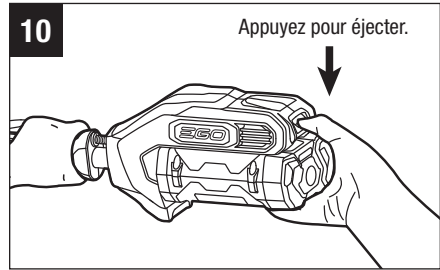
- Alignez les nervures du bloc-pile sur les fentes de montage situées dans le port du bloc-pile, sur le taille-bordure.
- Appuyez sur le bloc-pile en direction de la tête du taille-bordure jusqu'à ce qu'il s'enclenche en position.

REMARQUE : Avant d'utiliser le taille-bordure, assurez-vous que le verrou situé sur le taille-bordure s'enclenche et que le bloc-pile est solidement fixé.

Retrait du bloc-pile (figure 10)

⚠ AVERTISSEMENT : Soyez toujours conscient de l'emplacement de vos pieds, de vos enfants et de vos animaux de compagnie lorsque vous appuyez sur le bouton d'éjection du bloc-pile. La chute du bloc-pile pourrait causer des blessures graves. Ne retirez JAMAIS le bloc-pile lorsque vous êtes en hauteur.

- Tenez le bloc-pile dans la paume de la main.
- Pour libérer le bloc-pile du verrou, appuyez sur le bouton d'éjection du bloc-pile avec le pouce.
- Saisissez le bloc-pile et retirez-le du taille-bordure.



TENIR LE TAILLE-BORDURE

⚠ AVERTISSEMENT : Lorsque vous utilisez le taille-bordure, habillez-vous convenablement pour réduire les risques de blessures. Ne portez pas de vêtements ni de bijoux qui peuvent s'accrocher. Portez des protections pour les yeux et les oreilles. Portez un pantalon long et épais, des bottes et des gants. Ne portez pas de pantalon court ni de sandales. N'utilisez pas le taille-bordure lorsque vous êtes pieds nus.

Avant d'utiliser le taille-bordure, placez-vous en position d'utilisation et vérifiez les points suivants :

- Vous portez des lunettes de sécurité et des vêtements convenables.
- Vous avez un bras légèrement plié et la main de ce bras tient la poignée arrière.
- L'autre bras est droit et sa main tient la poignée de manœuvre avant.
- La tête du taille-bordure est parallèle au sol et atteint facilement ce qui doit être coupé sans avoir besoin de vous pencher (figure 11).



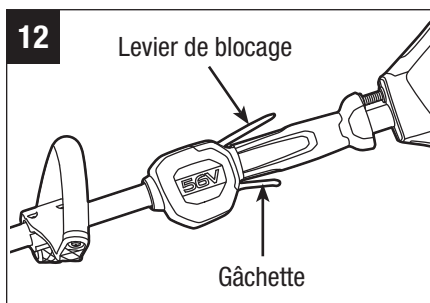
MISE EN MARCHÉ ET ARRÊT DU TAILLE-BORDURE

Avant de mettre le taille-bordure en marche, suivez les instructions ci-dessous :

- Assurez-vous que vous avez une posture sécuritaire et un bon équilibre.
- Tenez-vous droit et tenez le taille-bordure sans vous crispier.
- Assurez-vous que le fil de coupe ne touche pas le sol ni aucun autre objet.
- Tenez le taille-bordure avec les deux mains : une main sur la poignée arrière et l'autre sur la poignée de manœuvre avant.

Mise en marche du taille-bordure (figure 12)

1. Appuyez sur le levier de blocage et maintenez-le enfoncé. Pressez la gâchette pour mettre en marche le taille-bordure.
2. La gâchette à vitesse variable permet de contrôler la vitesse de rotation du fil de coupe. Une pression plus grande sur la gâchette procure une vitesse de coupe plus élevée tandis qu'une pression plus faible sur la gâchette amène une vitesse de coupe réduite. Réglez la vitesse en fonction de la tâche à accomplir.



AVIS : Le moteur ne tourne que lorsque le levier de blocage et la gâchette sont enclenchés simultanément.

Arrêt du taille-bordure

Relâchez le levier de blocage et la gâchette pour arrêter le taille-bordure.

⚠ AVERTISSEMENT : Retirez toujours le bloc-pile du taille-bordure lorsque vous faites des pauses et une fois que vous avez terminé de l'utiliser.

UTILISATION DU TAILLE-BORDURE

⚠ AVERTISSEMENT : Pour éviter des blessures graves, portez toujours des lunettes de sécurité lorsque vous utilisez le taille-bordure. Portez un masque de protection ou un masque antipoussières lorsque l'endroit est poussiéreux.

Avant chaque utilisation, dégagez l'aire de travail. Enlevez tous les objets, comme les cailloux, les éclats de verre, les clous, les câbles ou les fils, qui pourraient être projetés par le taille-bordure ou qui pourraient rester coincés dans le dispositif de coupe. Assurez-vous de garder les enfants, les personnes et les animaux à distance. Ils doivent être à une distance d'au moins 30,48 m (100 pi) pour éviter de recevoir des projections de débris. Nous recommandons aux personnes à proximité de porter des lunettes de sécurité. Si une personne s'approche de vous, arrêtez immédiatement le moteur et le dispositif de coupe.

⚠ AVERTISSEMENT : Pour prévenir les blessures graves, retirez le bloc-pile du taille-bordure avant d'en effectuer l'entretien, de le nettoyer, de remplacer des accessoires ou de retirer des pièces.

Vérifiez si des pièces sont endommagées ou usées avant chaque utilisation

Vérifiez la tête de coupe, le protecteur et la poignée de manœuvre avant, puis remplacez toute pièce fissurée, déformée, tordue ou endommagée.

La lame coupe-fil en bordure du protecteur peut s'émousser avec le temps. Il est recommandé de l'affûter périodiquement à l'aide d'une lime ou de la remplacer par une nouvelle lame.

⚠ AVERTISSEMENT : Portez toujours des gants lorsque vous installez ou remplacez le protecteur, ou lorsque vous affûtez ou remplacez la lame. Notez l'emplacement de la lame du protecteur et protégez vos mains pour éviter de vous couper.

Nettoyez le taille-bordure après chaque utilisation.

⚠ AVERTISSEMENT : Pour prévenir les blessures graves, retirez le bloc-pile du taille-bordure avant d'en effectuer l'entretien, de le nettoyer, de remplacer des accessoires ou de retirer des pièces.

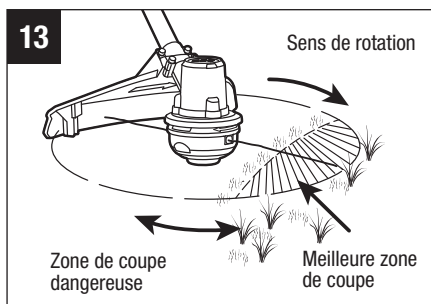
1. S'il y a lieu, retirez l'herbe qui s'est enroulée autour de l'arbre moteur ou de la tête du taille-bordure.
2. Utilisez uniquement du savon doux et un linge humide pour nettoyer le taille-bordure. Ne laissez aucun liquide pénétrer à l'intérieur du taille-bordure et n'immergez aucune partie de l'outil dans un liquide.
3. Essayez le taille-bordure à l'aide d'un linge propre, sec et doux.
4. Assurez-vous que les entrées d'air du boîtier arrière sont toujours exemptes de débris (figure 11).

AVIS : Si les événements d'aération sont obstrués, l'air ne peut pas circuler autour du moteur, ce qui peut entraîner une surchauffe du moteur ou l'endommager.

⚠ AVERTISSEMENT : N'utilisez jamais d'eau pour nettoyer le taille-bordure. Évitez d'utiliser des solvants pour nettoyer les pièces en plastique. La plupart des plastiques sont susceptibles d'être endommagés par divers types de solvants commerciaux. Utilisez un linge propre pour enlever la terre, la poussière, l'huile, la graisse, etc.

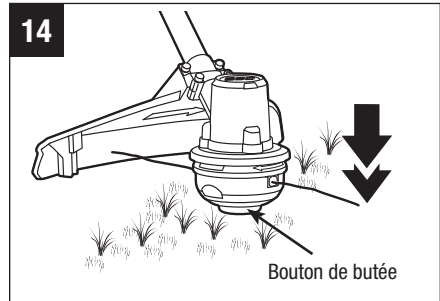
Conseils pour bien réussir la taille des bordures (figure 13)

- Pour obtenir un angle de coupe adéquat, le dispositif de coupe doit être parallèle au sol.
- Le taille-bordure vous permet de déposer le bouton de butée au sol pour faciliter la coupe.
- Ne forcez pas le taille-bordure. Utilisez uniquement l'extrémité du fil pour couper l'herbe (surtout le long des murs). Dans le cas contraire, vous réduiriez l'efficacité de la coupe et pourriez surcharger le moteur.
- La hauteur de coupe dépend de la distance entre le fil et la surface de l'herbe.
- Si l'herbe est haute de plus de 20,32 cm (8 po), vous devez la couper en effectuant un mouvement du haut vers le bas en abaissant lentement le taille-bordure à chaque passage pour éviter d'user trop rapidement le fil ou de faire forcer le moteur.
- Déplacez lentement le taille-bordure en effectuant un mouvement de va-et-vient au-dessus de la surface coupée, en maintenant la tête de coupe à la hauteur désirée. Il peut s'agir d'un mouvement latéral ou de l'avant vers l'arrière. Pour obtenir de meilleurs résultats, il est préférable de procéder à de petites coupes.
- Coupez l'herbe seulement lorsqu'elle est sèche.
- Les clôtures de métal ou de bois peuvent accélérer l'usure du fil ou le briser. Le fil peut s'user rapidement s'il entre en contact avec un mur de pierres ou de briques, une bordure de trottoir ou du bois. Évitez le contact avec les arbres et les arbustes. Le fil peut facilement endommager l'écorce des arbres, les moulures de bois, le revêtement extérieur et les poteaux de clôture.



RÉGLAGE DE LA LONGUEUR DU FIL DE COUPE

La tête du taille-bordure vous permet de libérer du fil de coupe sans arrêter le moteur. Lorsque le fil est effiloché ou usé, il est possible de libérer une longueur de fil supplémentaire en frappant doucement le bouton de butée contre le sol pendant que le taille-bordure est en marche (figure 14).



⚠ AVERTISSEMENT : N'essayez

pas de retirer ni de modifier la lame coupe-fil. Un fil de coupe trop long entraînera une surchauffe du moteur et pourra ainsi causer des blessures graves.

Pour de meilleurs résultats, frappez le bouton de butée contre un sol nu ou dur. Si vous tentez de libérer du fil dans des herbes hautes, le moteur pourrait surchauffer. Assurez-vous que le fil de coupe est toujours complètement étiré. Il devient plus difficile de libérer du fil lorsque le fil de coupe est plus court.

REPLACEMENT DU FIL

AVIS : Utilisez toujours le fil de coupe en nylon de rechange standard de 2,41 mm (0.095 po). L'utilisation d'un autre fil peut entraîner une surchauffe du taille-bordure ou l'endommager.

⚠ AVERTISSEMENT : N'utilisez jamais de fil de métal renforcé, de fil métallique, de corde ou d'autre matériau. Ceux-ci pourraient se rompre et être projetés.

Il existe deux manières de remplacer le fil de coupe :

1. Enrouler un nouveau fil autour de la bobine.
2. Installer une nouvelle bobine de fil.

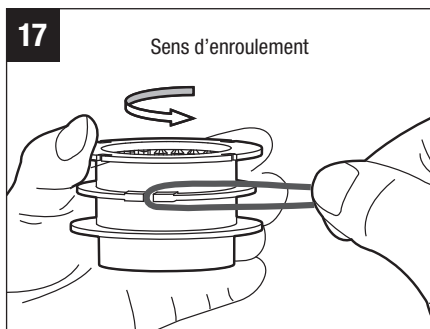
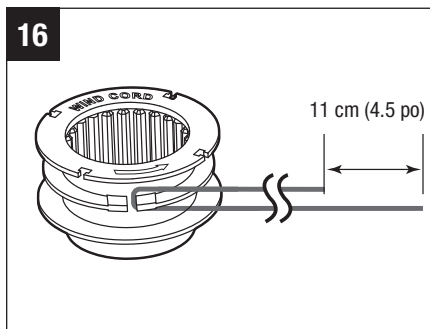
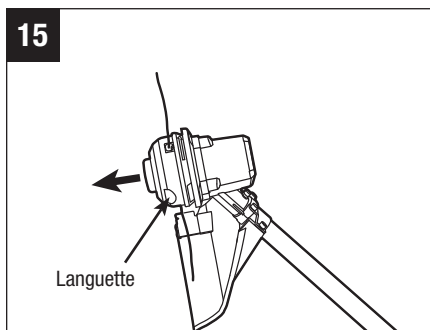
Enrouler un nouveau fil autour de la bobine

⚠ AVERTISSEMENT : Pour prévenir les blessures graves, retirez le bloc-pile du taille-bordure avant d'en effectuer l'entretien, de le nettoyer, de remplacer des accessoires ou de retirer des pièces.

1. Retirez le bloc-pile
2. Appuyez sur les languettes de dégagement situées à la base de la bobine et retirez le dispositif de retenue de la bobine en tirant dessus (figure 15).
3. Retirez la bobine. Utilisez un linge propre pour nettoyer la surface intérieure du dispositif de retenue et de la base de la bobine.

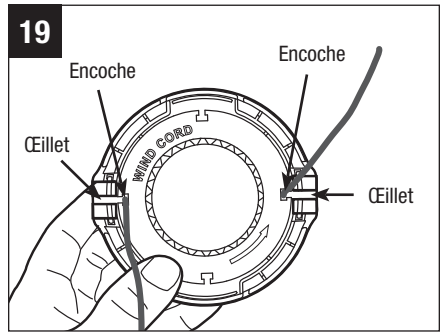
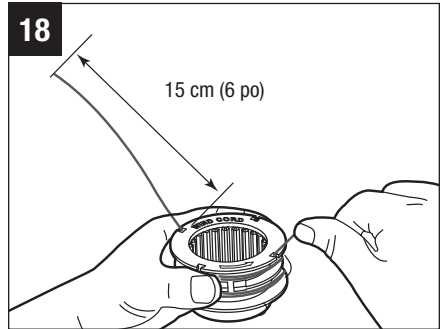
AVIS : Nettoyez toujours la bobine ainsi que son dispositif de retenue et sa base avant de remonter la tête de coupe.

4. Vérifiez si la bobine ainsi que son dispositif de retenue et les pièces de sa base sont usés.
5. Prenez une longueur de fil de coupe d'environ 5,2 m (17 pi). Pliez le fil en deux, puis placez-le de façon à ce qu'une extrémité dépasse l'autre d'environ 11,43 cm (4.5 po) (figure 16).
6. Accrochez l'extrémité pliée du fil de coupe sur une des fentes de la bobine (figure 17).
7. Enroulez le fil autour de la bobine en deux épaisseurs uniformes et serrées. Enroulez le fil autour de la bobine dans le sens indiqué (figure 17).

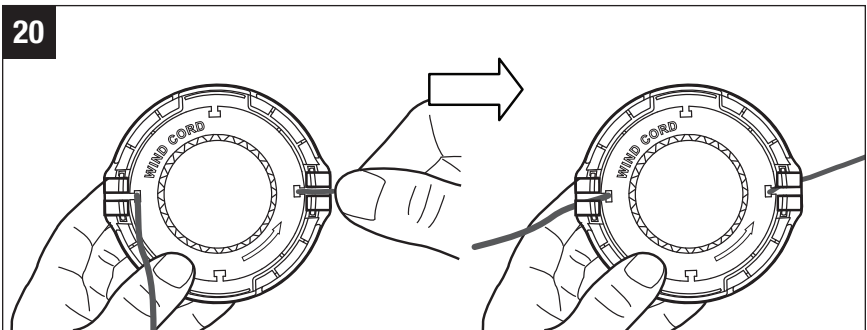


AVIS : Si le fil n'est pas enroulé dans le bon sens, la tête du taille-bordure ne fonctionnera pas correctement.

8. Placez les extrémités du fil dans deux encoches opposées sur la bobine, en laissant environ 15 cm (6 po) de fil dépasser (figure 18).
9. Alignez les encoches de la bobine desquelles le fil dépasse aux œillets du dispositif de retenue de la bobine et placez la bobine dans le dispositif de retenue (figure 19).

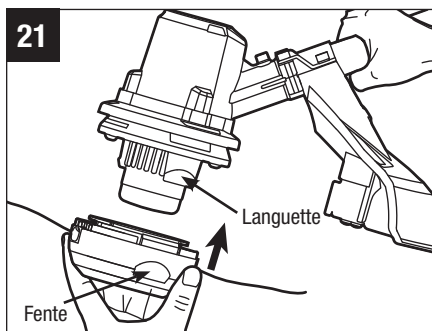


10. Tenez la bobine et son dispositif de retenue, saisissez une extrémité du fil et tirez ce dernier pour le dégager de l'encoche dans l'œillet (figure 20). Répétez cette étape pour l'autre extrémité.



11. Placez la base de la bobine vers le bas, alignez les fentes du dispositif de retenue de la bobine avec les languettes de la base de la bobine, puis appuyez sur le dispositif de retenue uniformément jusqu'à ce qu'il s'enclenche (figure 21).

AVIS : Assurez-vous que les languettes situées à la base de la bobine s'enclenchent correctement afin d'éviter que la bobine ne sorte de son emplacement pendant que vous utilisez le taille-bordure.



Installer une nouvelle bobine de fil

⚠ AVERTISSEMENT : Pour prévenir les blessures graves, retirez le bloc-pile du taille-bordure avant d'en effectuer l'entretien, de le nettoyer ou de remplacer et retirer des pièces.

1. Retirez la batterie.
2. Appuyez sur les languettes de dégagement situées à la base de la bobine et retirez le dispositif de retenue en tirant dessus (figure 15).
3. Retirez la bobine. Utilisez un linge propre pour nettoyer la surface intérieure du dispositif de retenue et de la base de la bobine.

AVIS : Nettoyez toujours la bobine ainsi que son dispositif de retenue et sa base avant de remonter la tête de coupe.

4. Vérifiez si la bobine ainsi que son dispositif de retenue et sa base sont usés. Remplacez-les au besoin.
5. Installez une nouvelle bobine de fil dans le dispositif de retenue de la bobine.
6. Alignez les encoches de la bobine desquelles le fil dépasse avec les œillets du dispositif de retenue de la bobine et placez la bobine dans le dispositif de retenue (figure 19).
7. Tenez la bobine et son dispositif de retenue, saisissez le fil et tirez-le pour le dégager de l'encoche fixée à l'œillet (figure 20).
8. Placez la base de la bobine vers le bas, alignez les fentes du dispositif de retenue de la bobine aux languettes de la base de la bobine, puis appuyez sur le dispositif de retenue uniformément jusqu'à ce qu'il s'enclenche (figure 21).

AVIS : Assurez-vous que les languettes situées à la base de la bobine s'enclenchent correctement afin d'éviter que la bobine ne sorte de son emplacement pendant que vous utilisez le taille-bordure.

ENTRETIEN

⚠ AVERTISSEMENT : Lorsque vous procédez à l'entretien du taille-bordure, utilisez uniquement des pièces de remplacement identiques à celles d'origine. L'utilisation de toute autre pièce peut constituer un danger ou endommager le produit. Pour garantir une utilisation sécuritaire de ce produit et sa fiabilité, toutes les réparations doivent être effectuées par un technicien qualifié.

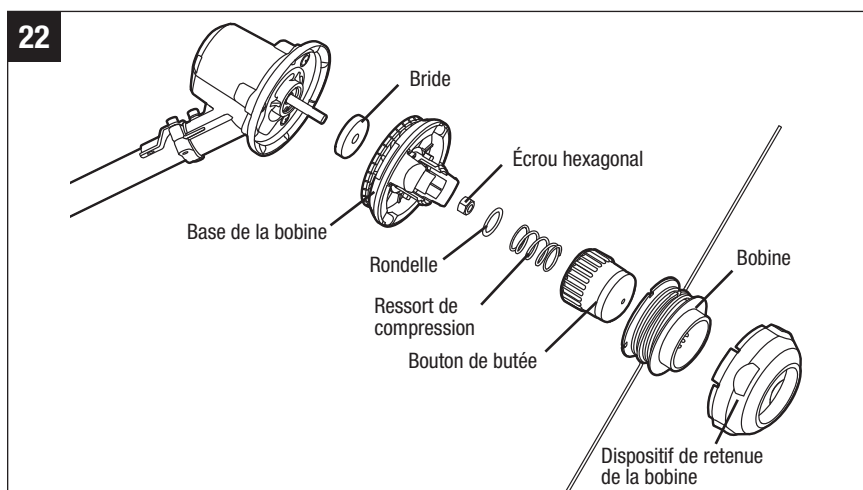
⚠ AVERTISSEMENT : Les outils munis d'un bloc-pile n'ont pas besoin d'être branchés sur une prise de courant. Par conséquent, ils sont toujours prêts à l'emploi. Pour prévenir des blessures graves, prenez des précautions particulières lorsque vous effectuez l'entretien ou des réparations, ou lorsque vous remplacez le dispositif de coupe ou d'autres pièces.

⚠ AVERTISSEMENT : Pour prévenir les blessures graves, retirez le bloc-pile du taille-bordure avant d'en effectuer l'entretien, de le nettoyer, de remplacer des accessoires ou de retirer des pièces.

REPLACER LA TÊTE DE TAILLE-BORDURE

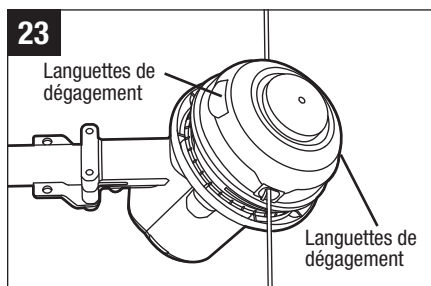
DANGER: Si la tête se desserre après avoir été mise en place, remplacez-la immédiatement. N'utilisez jamais le taille-bordure si le dispositif de coupe n'est pas serré fermement. Remplacez immédiatement la tête de coupe si elle est fissurée, endommagée ou usée, même si elle ne présente que des fissures superficielles. Ces pièces peuvent se briser à haute vitesse et causer des blessures graves.

⚠ AVERTISSEMENT: Enlevez toujours le bloc-pile de l'outil lorsque vous assemblez des pièces, procédez à des ajustements ou à son nettoyage ou lorsque le produit n'est pas utilisé.

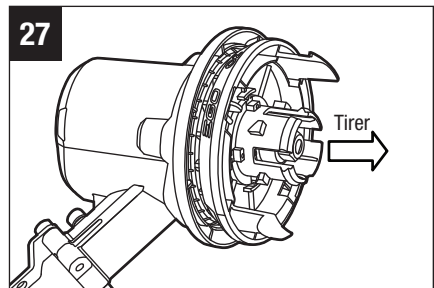
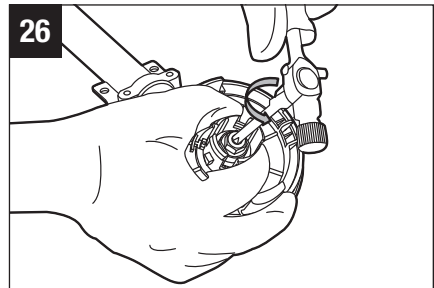
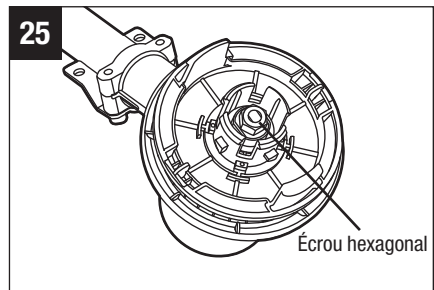
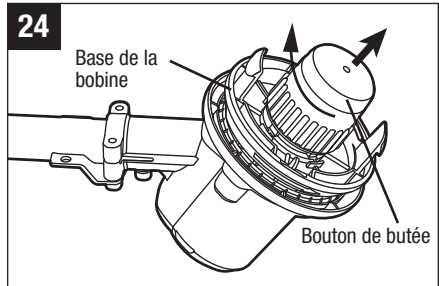


Retirez la tête du taille-bordure

1. Appuyez sur les deux languettes de dégagement situées sur la base de la bobine pour retirer celle-ci ainsi que son dispositif de retenue (figure 23).



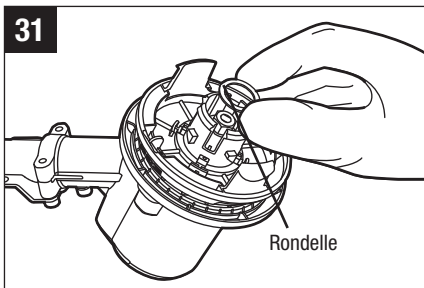
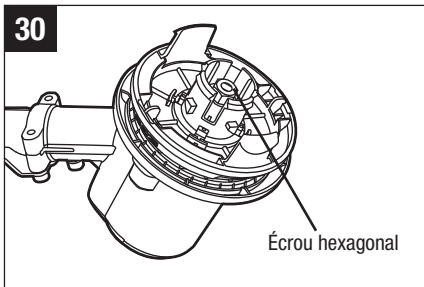
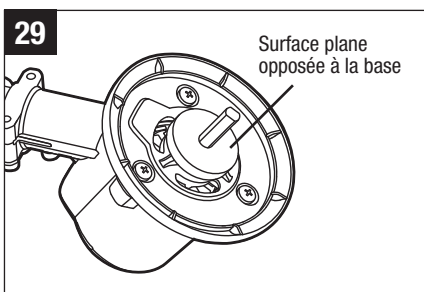
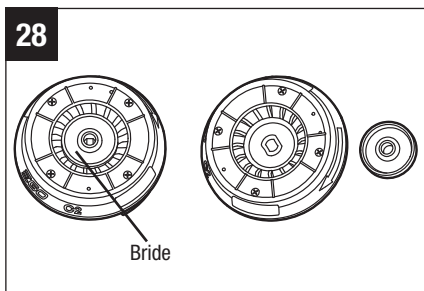
2. En tenant la base de la bobine, tournez le bouton de butée dans le sens des aiguilles d'une montre jusqu'à ce qu'il s'arrête, puis tirez sur celui-ci pour le retirer de la base (figure 24).
3. Portez des gants pour tenir la base de la bobine d'une main et, de l'autre main, servez-vous d'une clé à douille manuelle de 13 mm (1/2 po) pour tourner l'écrou hexagonal dans le sens contraire des aiguilles d'une montre afin de le desserrer (figures 25 et 26).
4. Tenez la base de la bobine et retirez-la de l'arbre du moteur en la tirant (figure 27).



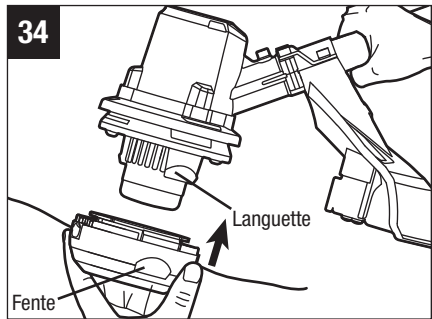
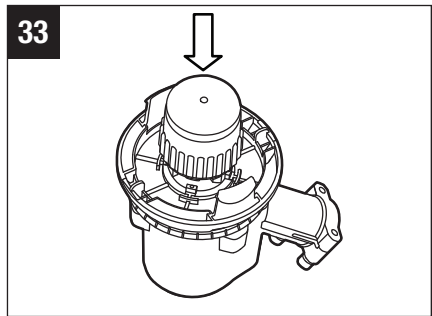
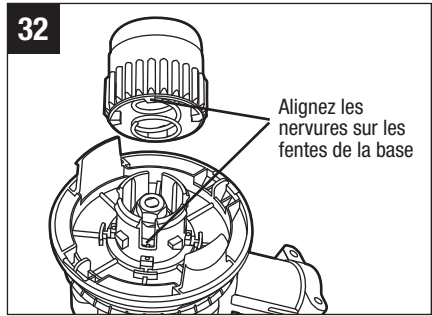
- Retirez la bride de la base et conservez-la pour fixer la nouvelle tête du taille-bordure (figure 28).

Installez la nouvelle tête du taille-bordure.

- Placez sur l'arbre du moteur la bride retirée à l'étape 5 ci-dessus, en s'assurant que la surface plane est opposée à la base (figure 29).
- Alignez le trou de montage de la base de la bobine sur l'arbre du moteur et insérez la base dans l'arbre.
- Portez des gants pour tenir la base de la bobine d'une main et, de l'autre main, servez-vous d'une clé à douille manuelle de 13 mm (1/2 po) pour tourner l'écrou hexagonal dans le sens des aiguilles d'une montre afin de le serrer (figure 30).
- Assurez-vous que la rondelle ne tombe pas de la base. Fixez la rondelle à la base de la bobine comme il est illustré ci-dessous (figure 31).



5. Placez le taille-bordure de façon à ce que le boîtier du moteur se trouve au sol. Alignez une des nervures du bouton de butée sur la fente de la base de la bobine et insérez celui-ci dans la base (figure 32).
6. Servez-vous de la paume de votre main pour pousser le bouton de butée jusqu'à ce qu'il soit complètement inséré et verrouillé en position dans la base; vous entendrez un clic lorsqu'il sera en place (figure 33).
7. Placez la base de la bobine vers le bas, alignez les fentes du dispositif de retenue de la bobine sur les languettes de la base de la bobine, puis appuyez sur le dispositif de retenue uniformément jusqu'à ce qu'il s'enclenche (figure 34).



NETTOYAGE DU TAILLE-BORDURE

- S'il y a lieu, retirez l'herbe qui s'est enroulée autour de l'arbre moteur ou de la tête du taille-bordure.
- Utilisez une petite brosse ou la sortie d'air de la brosse d'un petit aspirateur pour nettoyer les entrées d'air situées sur le boîtier arrière.
- Assurez-vous que les événements d'aération ne sont jamais obstrués.
- Nettoyez le taille-bordure au moyen d'un linge humide et d'un détergent doux.
- N'utilisez pas de détergents puissants pour nettoyer le boîtier en plastique ni la poignée. Certaines huiles aromatiques, comme le pin et le citron, et certains solvants, comme le kérosène, peuvent les endommager. L'humidité peut également causer un risque d'électrocution. Essuyez les parties humides à l'aide d'un linge sec et doux.

AFFÛTAGE DE LA LAME COUPE-FIL

⚠ AVERTISSEMENT : Protégez toujours vos mains au moyen de gants épais lorsque vous procédez à tout entretien de la lame coupe-fil.

1. Retirez la lame coupe-fil du protecteur.
2. Fixez la lame dans un étau.
3. Portez une protection oculaire appropriée ainsi que des gants et faites attention de ne pas vous couper.
4. Limez soigneusement les bords coupants de la lame à l'aide d'une lime fine ou d'une pierre à aiguiser, en suivant l'angle du bord original de coupe.
5. Remplacez la lame du protecteur et fixez-la en place au moyen de deux vis.

RANGEMENT DU TAILLE-BORDURE

- Retirez le bloc-pile du taille-bordure.
- Nettoyez complètement le taille-bordure avant de le ranger.
- Rangez le taille-bordure dans un endroit sec, bien aéré, surélevé ou verrouillé, hors de portée des enfants. Ne rangez pas le taille-bordure sur des engrais, de l'essence ou d'autres produits chimiques, ni à proximité de ces produits.

DÉPANNAGE

PROBLÈME	CAUSE	SOLUTION
Le taille-bordure ne démarre pas.	<ul style="list-style-type: none"> ■ Le bloc-pile n'est pas installé sur le taille-bordure. ■ Il n'y a aucun contact électrique entre le taille-bordure et le bloc-pile. ■ Le bloc-pile est déchargé. ■ Le levier de blocage et la gâchette ne sont pas enclenchés simultanément. 	<ul style="list-style-type: none"> ■ Installez le bloc-pile sur le taille-bordure. ■ Retirez le bloc-pile, vérifiez les contacts électriques et réinstallez le bloc-pile. ■ Chargez le bloc-pile. ■ Pour mettre en marche le taille-bordure, maintenez le levier de blocage enfoncé lorsque vous appuyez sur la gâchette.
Le taille-bordure s'arrête en cours de fonctionnement.	<ul style="list-style-type: none"> ■ Le protecteur n'est pas installé sur le taille-bordure, de sorte que le fil de coupe est trop long et que le moteur surcharge. ■ Le calibre du fil de coupe utilisé est trop gros. ■ De l'herbe s'est enroulée autour de l'arbre moteur ou de la tête du taille-bordure. ■ Le moteur est surchargé. ■ Le bloc-pile ou le taille-bordure sont trop chauds. ■ Le bloc-pile est débranché de l'outil. ■ Le bloc-pile est déchargé. 	<ul style="list-style-type: none"> ■ Retirez le bloc-pile, puis installez le protecteur sur le taille-bordure. ■ Utilisez uniquement un fil de coupe en nylon standard de 2,41 mm (0.095 po) de diamètre ou moins. ■ Arrêtez le taille-bordure, retirez le bloc-pile, puis retirez l'herbe de l'arbre moteur et de la tête du taille-bordure. ■ Retirez la tête du taille-bordure de la pelouse. Le moteur fonctionnera de nouveau sans problème dès que la cause de la surcharge est éliminée. Durant la coupe, déplacez le taille-bordure en effectuant un mouvement de va-et-vient au-dessus de la surface coupée et ne coupez au maximum que 20,32 cm de longueur à la fois. ■ Laissez le bloc-pile et le taille-bordure refroidir; leur température doit être inférieure à 66,6 °C (152 °F). ■ Réinstallez le bloc-pile. ■ Chargez le bloc-pile.

<p>La tête du taille-bordure ne fait pas avancer le fil.</p>	<ul style="list-style-type: none"> ■ De l'herbe s'est enroulée autour de l'arbre moteur ou de la tête du taille-bordure. ■ Il ne reste pas suffisamment de fil sur la bobine. ■ La tête du taille-bordure est sale. ■ Le fil est emmêlé sur la bobine. ■ Le fil est trop court. 	<ul style="list-style-type: none"> ■ Arrêtez le taille-bordure, retirez le bloc-pile, puis nettoyez l'arbre moteur et la tête du taille-bordure. ■ Retirez le bloc-pile et remplacez le fil de coupe. Suivez les instructions à la section REMPLACEMENT DU FIL. ■ Retirez le bloc-pile et nettoyez la bobine ainsi que son dispositif de retenue et sa base. ■ Retirez le bloc-pile. Retirez le fil de la bobine, puis enroulez-le de nouveau sur la bobine. Suivez les instructions à la section REMPLACEMENT DU FIL. ■ Retirez le bloc-pile et tirez sur le fil en appuyant sur le bouton de butée, puis en le relâchant.
<p>L'herbe s'enroule autour de la tête du taille-bordure et du boîtier du moteur.</p>	<ul style="list-style-type: none"> ■ L'herbe haute est coupée à ras du sol. 	<ul style="list-style-type: none"> ■ Pour éviter l'enroulement, coupez l'herbe haute du haut vers le bas, en prenant soin de ne pas en couper plus de 20,32 cm à la fois.
<p>Le fil ne se coupe pas bien.</p>	<ul style="list-style-type: none"> ■ La lame coupe-fil en bordure du protecteur est émoussée. 	<ul style="list-style-type: none"> ■ Affûtez la lame coupe-fil au moyen d'une lime ou remplacez-la par une nouvelle lame.
<p>Le dispositif de retenue de la bobine se desserre après avoir été mis en place ou s'arrête alors que l'appareil est en cours de fonctionnement.</p>	<ul style="list-style-type: none"> ■ Le taille-bordure est usé. 	<ul style="list-style-type: none"> ■ Remplacez immédiatement la tête du taille-bordure; suivez la section « REMPLACER LA TÊTE DE TAILLE-BORDURE » dans le présent guide.

POLITIQUE D'EGO EN MATIÈRE DE GARANTIE

Une garantie limitée de 5 ans est offerte pour l'équipement électrique d'extérieur EGO et une garantie limitée de 3 ans est offerte pour les chargeurs et les blocs-piles EGO Power+.

Veuillez communiquer avec le service à la clientèle d'EGO au 1 855 EGO-5656 (numéro sans frais) pour toute question sur les réclamations au titre de la garantie.

GARANTIE LIMITÉE

À compter de la date d'achat originale, ce produit EGO est garanti PENDANT CINQ ANS contre les défauts de matériaux et de fabrication. Les produits défectueux seront réparés gratuitement.

À compter de la date d'achat originale, le chargeur et le bloc-pile EGO Power+ sont garantis PENDANT TROIS ANS contre les défauts de matériaux et de fabrication. Les produits défectueux seront réparés gratuitement.

Cette garantie ne couvre pas les dommages résultant d'une modification, d'une altération ou d'une réparation non autorisée ni de l'utilisation d'un fil de coupe autre que le fil de coupe en nylon standard de 2,41 mm (0.095 po) recommandé pour ce produit.

- a) Cette garantie s'applique uniquement à l'acheteur initial s'étant procuré le produit chez un détaillant EGO autorisé et est non transférable. La liste des détaillants EGO autorisés est publiée en ligne sur le site <http://egopowerplus.com/pages/warranty-policy>.
- b) La période de garantie pour toute pièce ou tout produit EGO utilisés à des fins industrielles, professionnelles ou commerciales est de un an.
- c) Cette garantie n'est pas valide si le produit a été utilisé à des fins de location.
- d) Cette garantie ne couvre pas les dommages résultant d'une modification, d'une altération ou d'une réparation non autorisée ni de l'utilisation d'un fil de coupe autre que le fil de coupe en nylon de 2,41 mm (0.095 po) EGO AL0950 ou AL0951 recommandé pour ce produit.
- e) Cette garantie couvre uniquement les défauts survenant dans des conditions normales d'utilisation et ne couvre aucun dysfonctionnement ou défaut ni aucune défaillance découlant d'un usage inapproprié ou abusif (notamment la surcharge du produit et son immersion dans l'eau ou dans tout autre liquide), d'un accident, d'une négligence, d'une installation inadéquate et de tout entretien ou entreposage inadéquat.

- f) Cette garantie ne couvre pas la détérioration normale du fini extérieur, notamment les rayures, les bosselures, les craquelures de la peinture ni toute corrosion ou décoloration résultant de la chaleur, de produits abrasifs et de nettoyeurs chimiques.

RÉCLAMATION AU TITRE DE LA GARANTIE

Pour faire une réclamation au titre de la garantie, veuillez communiquer avec le service à la clientèle d'EGO au 1 855 EGO-5656 (numéro sans frais). Lorsque vous faites une réclamation au titre de la garantie, vous devez présenter le reçu de vente original. Un centre de service autorisé sera sélectionné pour la réparation du produit conformément aux conditions de garantie prescrites.

RESTRICTIONS SUPPLÉMENTAIRES

Dans les limites prescrites par la législation locale, toutes les garanties implicites, notamment les garanties de QUALITÉ MARCHANDE ou d'ADÉQUATION POUR UN USAGE PARTICULIER, sont non valides. Toute garantie implicite, notamment les garanties de qualité marchande ou d'adéquation pour un usage particulier, qui ne peut être déclinée en vertu de la législation provinciale est limitée à cinq ans à compter de la date d'achat pour l'équipement électrique d'extérieur et à trois ans à compter de la date d'achat pour les chargeurs et blocs-piles.

Chervon North America n'est pas responsable des dommages accessoires, consécutifs, indirects ou directs.

Certaines provinces et certains États n'autorisent pas les restrictions de durée de garantie implicite, ou l'exclusion ou la restriction des dommages consécutifs et accessoires; c'est pourquoi les restrictions ci-dessus peuvent ne pas s'appliquer à votre cas.

La présente garantie vous confère des droits précis. Il est possible que vous disposiez également d'autres droits, qui varient d'une province ou d'un État à l'autre.

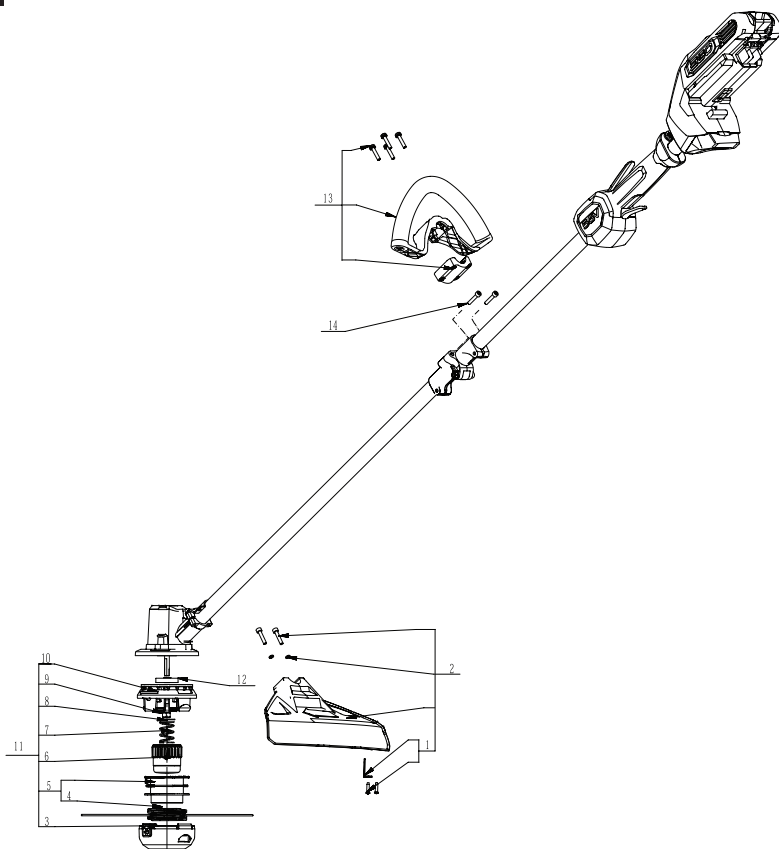
Pour communiquer avec le service à la clientèle, veuillez composer le numéro sans frais suivant : 1 855 EGO-5656 ou consulter le site Web EGOPOWERPLUS.COM.

EGO Customer Service, 120 Ionia Street SW / Suite 102 Grand Rapids,
MI 49503 États-Unis

LISTE DES PIÈCES

TAILLE-BORDURE SANS FIL À BLOC-PILE AU LITHIUM-ION DE 56 V MODÈLES ST1500/ST1500-S

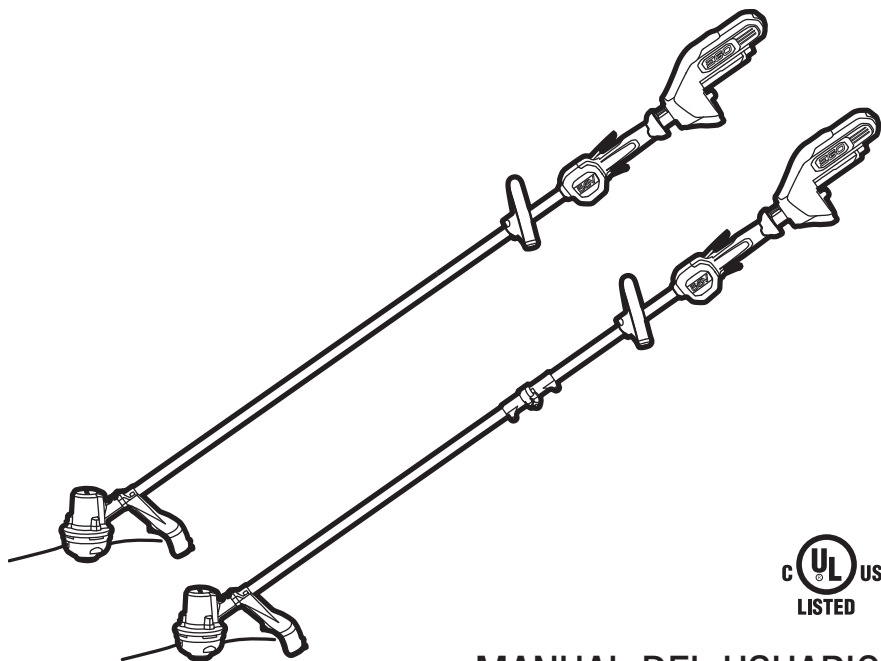
Le numéro du modèle est indiqué sur la plaque signalétique fixée au boîtier du taille-bordure.
Lorsque vous commandez des pièces pour cet outil, indiquez toujours le numéro de modèle.

35

NUMÉRO D'INDEX	N° DE PIÈCE	DESCRIPTION	QTÉ
1	2823713000	Lame coupe-fil	1
2	2824011000	Protecteur	1
3	2824019000	Dispositif de retenue de la bobine	1
4	3800103000	Fil de coupe	1
5	2824087000	Bobine	1
6	2824022000	Bouton de butée	1
7	3660582000	Ressort de compression	1
8	5650349000	Rondelle	1
9	5630271000	Écrou hexagonal	1
10	2824082000	Base de la bobine	1
11	2824021000	Tête du taille-bordure	1
12	3520800000	Bride	1
13	2823711000	Poignée de manoeuvre avant	1
14	5620216000	Boulons pour verrouiller le manche (seulement pour le modèle ST1500-S)	2

EGO[®]

POWER⁺ STRING TRIMMER



MANUAL DEL USUARIO

ORILLADORA INALÁMBRICA CON BATERÍA DE IONES DE LITIO DE 15 PULG Y 56 VOLTIOS

NÚMERO DE MODELO
ST1500 (EJE RECTO)/
ST1500-S (EJE BISAGRA)

⚠ ADVERTENCIA: para reducir el riesgo de lesiones, el usuario debe leer y comprender el Manual del usuario antes de usar este producto. Guarde estas instrucciones para consultarlas en el futuro.

ÍNDICE

Símbolos de seguridad	78
Instrucciones de seguridad	79-83
Introducción	83
Especificaciones	84
Lista de empaque	84-76
Descripción	87-88
Ensamble	89
Funcionamiento	89-99
Mantenimiento	99-105
Solución de problemas	106-107
Garantía	108-109
Lista de piezas	110-111

LEA TODAS LAS INSTRUCCIONES



LEA Y COMPRENDA EL MANUAL
DE INSTRUCCIONES

⚠ ADVERTENCIA: El corte con máquinas produce algunos tipos de polvo que contienen sustancias químicas que el Estado de California considera cancerígenas o causantes de defectos de nacimiento u otros daños al aparato reproductor. Algunos ejemplos de estas sustancias químicas son los siguientes:

- El plomo de pinturas a base de plomo,
- La sílice cristalina de ladrillos, cemento y otros productos de mampostería, y
- El arsénico y el cromo de la madera tratada químicamente.

El riesgo de sufrir estas exposiciones varía según la frecuencia con que realice este tipo de trabajo. Para reducir la exposición a estas sustancias químicas: trabaje en un lugar bien ventilado y con equipos de seguridad aprobados, como las mascarillas antipolvo que están diseñadas especialmente para filtrar partículas microscópicas.

SÍMBOLOS DE SEGURIDAD

El propósito de los símbolos de seguridad es alertarlo de posibles peligros. Los símbolos de seguridad y sus explicaciones merecen una atención y comprensión minuciosas. Las advertencias de los símbolos, por sí mismas, no eliminan los peligros.

Las instrucciones y las advertencias no sustituyen las medidas de prevención de accidentes que correspondan.

⚠ ADVERTENCIA: Asegúrese de leer y comprender todas las instrucciones de seguridad que contiene este Manual del usuario, incluidos todos los símbolos de alerta de seguridad como “PELIGRO”, “ADVERTENCIA” y “PRECAUCIÓN”, antes de usar esta herramienta. Si no se siguen todas las instrucciones que figuran a continuación, se pueden producir electrocuciones, incendios y lesiones.

SIGNIFICADO DE LOS SÍMBOLOS

⚠ SÍMBOLO DE ALERTA DE SEGURIDAD: Indica PELIGRO, ADVERTENCIA O PRECAUCIÓN. Puede aparecer junto con otros símbolos o pictografías.



⚠ ¡ADVERTENCIA! La utilización de herramientas eléctricas puede arrojar objetos extraños a los ojos y causar heridas graves. Antes de comenzar a utilizar la herramienta eléctrica, colóquese siempre gafas de seguridad o anteojos de seguridad con protectores laterales y una máscara que cubra todo el rostro, si es necesario. Recomendamos utilizar una máscara de seguridad de visión amplia sobre los anteojos o gafas de seguridad estándar con protectores laterales. Use siempre lentes de protección con la marca de cumplimiento de la norma ANSI Z87.1.

INSTRUCCIONES DE SEGURIDAD

Esta página muestra y describe los símbolos de seguridad que pueden aparecer en este producto. Lea, comprenda y siga todas las instrucciones de la máquina antes de ensamblarla y utilizarla.

	Alerta de seguridad	Indica un peligro potencial de producir lesiones.
	Lea el Manual del usuario	Para reducir el riesgo de lesiones, debe leer el Manual del usuario.
	Lentes de protección	Use siempre gafas de seguridad o anteojos con protección lateral y un protector facial al operar este producto.
	Símbolos de reciclaje	Este producto usa baterías de iones de litio (Li-ion). Es posible que las leyes municipales, provinciales o nacionales prohíban desechar las baterías con los residuos comunes. Consulte a la autoridad local en materia de residuos sobre las opciones de eliminación y reciclaje disponibles.
IPX4	Nivel de Protección del Ingreso	Protección contra salpicaduras de agua
V	Voltio	Voltaje
mm	Milímetro	Longitud o tamaño
cm	Centímetro	Longitud o tamaño
in.	Pulgada	Longitud o tamaño
kg	Kilogramo	Peso
lb	Libra	Peso
CC	Corriente continua	Tipo o característica de la corriente
RPM	Revoluciones por minuto	Velocidad de rotación

⚠ PELIGRO: Las personas que poseen dispositivos electrónicos, como marcapasos, deben consultar al médico antes de usar este producto. Operar un equipo eléctrico cerca de un marcapasos puede causar interferencia o falla en el marcapasos.

INSTRUCCIONES IMPORTANTES DE SEGURIDAD

⚠ ¡ADVERTENCIA! Al usar orilladoras eléctricas, siempre se deben tomar medidas de seguridad básicas para reducir el riesgo de incendios, descargas eléctricas o lesiones personales, incluidas las siguientes:

LEA TODAS LAS INSTRUCCIONES

⚠ ¡PELIGRO! No dependa del aislamiento de la herramienta para evitar las descargas eléctricas. Para reducir el riesgo de electrocución, nunca opere la herramienta en las cercanías de cables que conducen corriente eléctrica.

⚠ ¡PRECAUCIÓN! Use protección auditiva personal adecuada durante la manipulación. Bajo algunas condiciones y periodos de uso, el ruido de este producto podría contribuir a la pérdida de la audición.

- Mantenga a los niños alejados: Todas las personas deben mantenerse a una distancia mínima de 30,48 m del área de trabajo.
- Evite ambientes peligrosos - No utilice aparatos de pendiente húmeda o mojada.
- Vístase de manera adecuada: No use ropa holgada ni joyas. Estas pueden quedar atascadas en las piezas móviles. Se recomienda usar guantes y calzado de goma para trabajar en exteriores. Use protección para el cabello a fin de contener el cabello largo.
- Use gafas de seguridad: Use siempre una máscara o mascarilla antipolvo si operará en una zona con mucho polvo.
- Use la herramienta adecuada: No use la herramienta para ninguna otra tarea que no sea la prevista.
- No fuerce la orilladora: Esta máquina funcionará mejor y con menos probabilidades de producir lesiones si se usa al ritmo para el cual se diseñó.
- No se extienda demasiado: Mantenga el punto de apoyo y el equilibrio adecuados en todo momento.
- Manténgase alerta: Concéntrese en lo que hace. Use el sentido común. No opere la orilladora si está cansado.
- No opere la orilladora bajo la influencia de drogas ni alcohol.
- Mantenga las protecciones en su lugar y en buen estado.
- Mantenga las manos y los pies alejados del área de corte.
- Almacene la orilladora en interiores: Cuando no esté en uso, la orilladora debe almacenarse en interiores, en un lugar seco y alto o bajo llave, sin el paquete de baterías y fuera del alcance de los niños.

- **Cuide su orilladora:** Mantenga los accesorios de corte limpios para obtener mejores resultados y reducir el riesgo de lesiones. Siga las instrucciones para cambiar los accesorios. Mantenga las empuñaduras limpias, secas y libres de aceite y grasa.
- **Revise las piezas dañadas:** Antes de continuar con la operación de su orilladora, se deben revisar con cuidado las protecciones u otras piezas dañadas a fin de determinar si funcionan correctamente y cumplen su función específica. Compruebe la alineación de las piezas móviles, que las piezas no estén dobladas o rotas, que el montaje sea el correcto y cualquier otra condición que pueda afectar el funcionamiento. Las protecciones u otras piezas dañadas deben repararse de manera adecuada o ser reemplazadas en un centro de servicio autorizado, a menos que se indique lo contrario en este manual.
- **Limpie el área que cortará antes de cada uso.** Retire todos los objetos como piedras, vidrios rotos, clavos, alambres o cordeles que puedan ser arrojados o atascarse en los accesorios de corte. Asegúrese de que las demás personas y las mascotas estén a un mínimo de 30,48 m de distancia.
- **Sostenga la orilladora con firmeza y mantenga ambas manos en las empuñaduras durante la operación.** Coloque sus dedos y pulgares alrededor de las empuñaduras.
- **Evite los arranques accidentales:** No transporte la orilladora con el dedo en el gatillo.
- **No opere la orilladora en entornos gaseosos o explosivos.** Los motores de estos aparatos comúnmente producen chispas, las que pueden encender los vapores.
- **Daños en la orilladora:** Si golpea un objeto extraño con la orilladora o si esta se atasca, detenga la herramienta de inmediato, revise si hay daños y, de haberlos, repárelos antes volver a operar la herramienta. No la opere si las protecciones o el carrete están dañados.
- **Si el equipo comienza a vibrar de un modo anormal, detenga el motor y verifique inmediatamente la causa.** La vibración, generalmente, advierte un problema. Un cabezal suelto puede vibrar, agrietarse, romperse o desprenderse de la orilladora, lo que podría provocar lesiones graves o fatales. Asegúrese de que el accesorio de corte esté bien sujeto en su posición. Si el cabezal se suelta después de fijarlo en su posición, reemplácelo de inmediato. Nunca use una orilladora con un accesorio de corte suelto.
- **Reemplace de inmediato los cabezales de corte agrietados, dañados o gastados, aunque el daño se limite a grietas superficiales.** Dichos accesorios podrían desprenderse a alta velocidad y provocar lesiones graves o fatales.

- Revise el accesorio de corte con frecuencia durante el funcionamiento o inmediatamente si nota un cambio evidente en el comportamiento de corte.
- Cuando reemplace el hilo de corte, use solo hilo de nailon AL0951 de 0.095 pulg (2.4 mm). El uso de hilos más gruesos que los recomendados por el fabricante aumenta la carga en el motor y reduce la velocidad de funcionamiento. Esto provoca el sobrecalentamiento y puede dañar la orilladora.
- Para reducir el riesgo de lesiones graves, nunca utilice hilo de alambre o de metal reforzado ni otro material en lugar de los hilos de corte de nailon. Se podrían romper trozos de alambre y dispararse a alta velocidad hacia el operador o los transeúntes.
- Para reducir el riesgo de lesiones debido a la pérdida de control, nunca trabaje sobre una escalera ni sobre ninguna superficie insegura. Nunca sostenga el accesorio de corte sobre la altura de la cintura.
- Si se presentan situaciones que no están previstas en este manual, tenga cuidado y use el sentido común. Póngase en contacto con el Centro de Servicio al Cliente de EGO para recibir ayuda.
- No cargue el paquete de baterías bajo la lluvia o en lugares húmedos.
- Úsela solo con los paquetes de baterías y cargadores que se mencionan a continuación:

PAQUETE DE BATERÍA	CARGADOR
BA1120, BA1400, BA2240, BA2800, BA4200	CH5500 CH2100

- No arroje las baterías al fuego. Las células pueden explotar. Consulte los códigos locales para conocer las posibles instrucciones de desecho especiales.
- No abra ni rompa la batería. Los electrolitos liberados son corrosivos y pueden causar daños en los ojos o la piel. Si se traga puede ser tóxico.
- Manipule las baterías con cuidado para no acortar su vida útil con materiales conductores como anillos, brazaletes y llaves. La batería o el conductor podrían sobrecalentarse y producir quemaduras.
- Lista de piezas de repuesto: Al realizarle mantenimiento, utilice solo piezas de repuesto EGO idénticas. El uso de cualquier otro accesorio puede aumentar el riesgo de lesiones.

- Las herramientas a batería no necesitan estar conectadas a un enchufe, por lo que siempre se encuentran en condiciones de funcionar. Conozca los peligros posibles que existen aun cuando la herramienta no esté en funcionamiento. Tenga cuidado al realizarle mantenimiento o repararla.
- Retire o desconecte el paquete de baterías antes de hacer el mantenimiento, limpiar o quitar material de la orilladora.
- No lave la orilladora con una manguera; evite que el motor y las conexiones eléctricas se mojen.
- Guarde estas instrucciones. Consúltelas con frecuencia y úselas para dar instrucciones a otras personas que puedan usar esta herramienta. Si le presta esta herramienta a alguien, préstele también estas instrucciones para evitar el mal uso del producto y posibles lesiones.

GUARDE ESTAS INSTRUCCIONES.

INTRODUCCIÓN

Felicitaciones por elegir la orilladora inalámbrica de iones de litio de 15 pulg y 56 voltios EGO. Está pensada, diseñada y fabricada para brindarle el mejor rendimiento y confiabilidad posibles.

En caso de que tuviera algún problema que no pudiera resolver fácilmente, póngase en contacto con el Centro de Servicio al Cliente de EGO al 1-855-EGO-5656.

Este manual contiene información importante para el ensamble, la operación y el mantenimiento seguro de su orilladora de hilo. Léalo atentamente antes de usar la orilladora de hilo. Mantenga este manual a mano para poder consultarlo en cualquier momento.

NÚMERO DE SERIE _____ FECHA DE COMPRA _____

DEBE ANOTAR EL NÚMERO DE SERIE Y LA FECHA DE COMPRA Y CONSERVARLOS EN UN LUGAR SEGURO PARA CONSULTARLOS EN EL FUTURO.

ESPECIFICACIONES

Voltaje	56 V CC
Velocidad sin carga	4000-5800 RPM
Mecanismo de corte	Cabezal de golpe
Tipo de hilo de corte	Hilo de nailon AL0951 de 0.095 pulg (2.4 mm)
Ancho de corte	15 pulg (38 cm)
Peso (sin paquete de baterías)	6.7 lb. (3.04 Kg)

LISTA DE EMPAQUE

NOMBRE DE LA PIEZA	CANTIDAD
Orilladora de hilo	1
Protección	1
Ensamble de la empuñadura de ayuda frontal	1
Llave para tornillo hexagonal M5	1
Pernos para eje de sujeción (disponible solo para el modelo ST1500-S)	2
Manual del usuario	1

DESPLIEGUE DEL EJE (SOLO PARA EL MODELO ST1500-S)

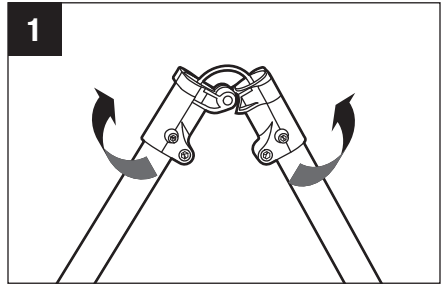
⚠ ADVERTENCIA: Evite sostener el eje por los empalmes porque podría pellizcarse las manos o los dedos.

⚠ ADVERTENCIA: No intente hacer arrancar la orilladora hasta que se haya trabado el eje.

⚠ ADVERTENCIA: Siempre retire el paquete de baterías del producto cuando ensamble piezas, realice ajustes, limpie el producto o cuando no lo esté usando.

1. Retire el paquete de baterías de la orilladora.

2. Coloque la orilladora en el suelo y despliegue el eje con cuidado. Para evitar pellizcar el cable al cerrar los empalmes, asegúrese de que este se encuentre dentro del eje (Fig. 1).
3. Use la llave hexagonal M5 para trabar el eje con los dos pernos suministrados (Fig. 2).

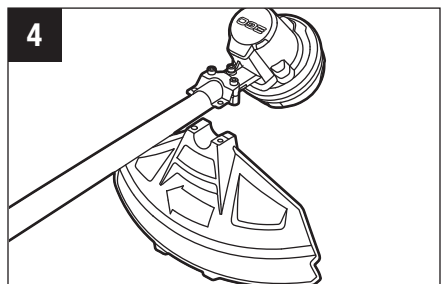
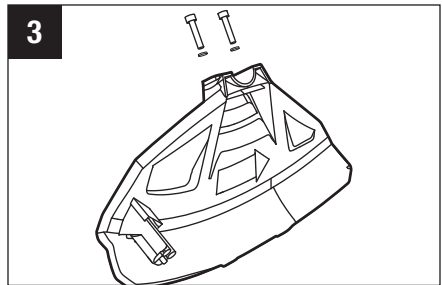
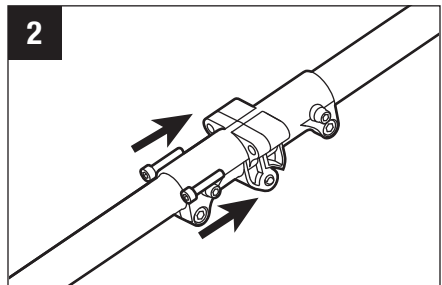


MONTAJE DE LA PROTECCIÓN

⚠ ADVERTENCIA: Siempre use guantes al montar o reemplazar la protección. Tenga cuidado con la cuchilla que se encuentra en la protección, ya que podría sufrir cortes.

⚠ ADVERTENCIA: Siempre retire el paquete de baterías del producto cuando ensamble piezas, realice ajustes o limpie el producto, o cuando no lo esté usando.

1. Retire el paquete de baterías de la orilladora.
2. Afloje los dos pernos de la protección con la llave hexagonal M5; retire los pernos y las arandelas de la protección (Fig. 3).
3. Levante el cabezal de la orilladora y oriéntelo hacia abajo; alinee los dos orificios de montaje en la protección con los dos orificios de ensamble en la base del eje. Asegúrese de que la superficie interna de la protección se oriente hacia el cabezal de la orilladora (Fig. 4).



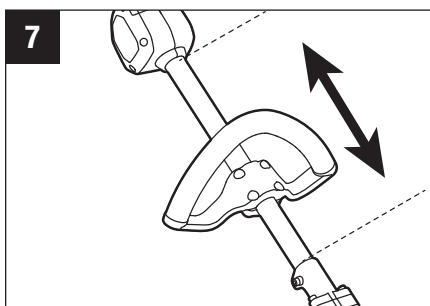
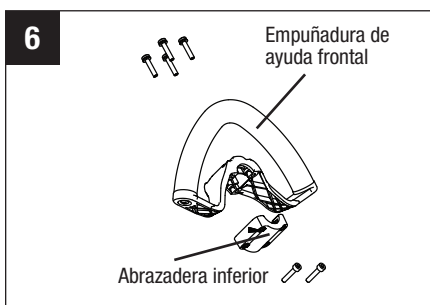
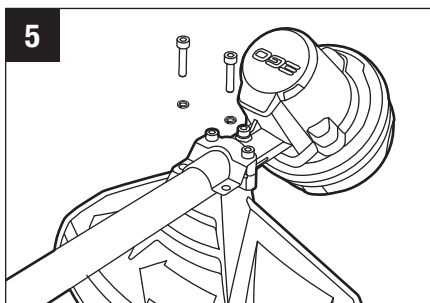
4. Trabe la protección con los dos pernos y la llave hexagonal M5 (Fig. 5).

MONTAJE Y AJUSTE DE LA EMPUÑADURA DE AYUDA FRONTAL

⚠ ADVERTENCIA: Siempre retire el paquete de baterías del producto cuando ensamble piezas, realice ajustes o limpie el producto, o cuando no lo esté usando.

1. Retire el paquete de baterías de la orilladora.
2. Afloje los cuatro tornillos de la empuñadura con un destornillador Phillips (disponible por separado) y retire los tornillos y la abrazadera inferior de la empuñadura (figura 6).
3. Fije la empuñadura de ayuda frontal y la abrazadera inferior en el eje, y asegúrelas apretando levemente los cuatro tornillos. Gire la empuñadura de ayuda frontal hacia arriba para que apunte hacia la parte superior de la empuñadura (figura 7).

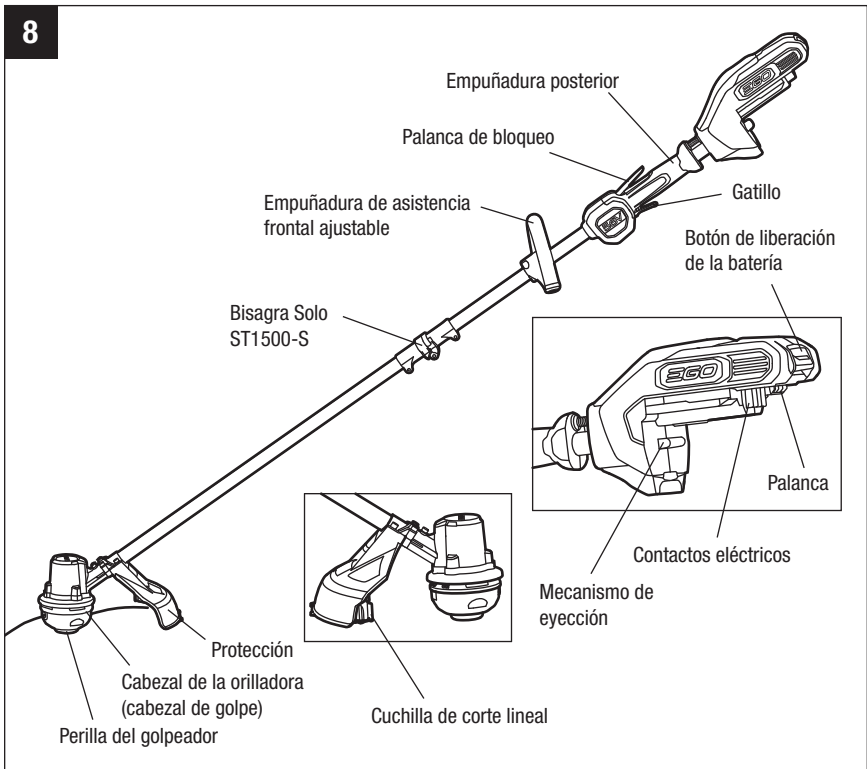
4. Ajuste la posición de la empuñadura de ayuda frontal entre la carcasa de la empuñadura posterior y el empalme del eje, como se muestra en la Fig. 7. Para el modelo ST1500, ajuste la posición de la empuñadura de manera que quede entre la carcasa de la empuñadura posterior y la etiqueta de advertencia en el eje. Los usuarios de menor estatura pueden ajustar la empuñadura en una posición más baja (alejada de usted) y los usuarios más altos pueden ajustar la empuñadura en una posición más alta (hacia usted). La empuñadura debe ajustarse de manera que el brazo que estará al frente quede recto cuando use la orilladora.
5. Apriete los cuatro tornillos de manera que la empuñadura no pueda girar sobre el eje.



DESCRIPCIÓN

CONOZCA SU ORILLADORA DE HILO (Fig. 8)

El uso seguro de este producto requiere que se comprenda la información que figura en la herramienta y en este manual del usuario, además del conocimiento del proyecto que desea llevar a cabo. Antes de usar este producto, familiarícese con todas las características operativas y reglas de seguridad.



⚠ ADVERTENCIA: Nunca opere la herramienta si la protección no está bien colocada en su lugar. La protección debe estar siempre en la herramienta para proteger al usuario.

EMPUÑADURA DE ASISTENCIA FRONTAL AJUSTABLE

Facilita el control de la orilladora durante el corte.

EMPUÑADURA POSTERIOR

Empuñadura ergonómica que mejora la comodidad y el agarre.

GATILLO

Para encender y apagar la orilladora de hilo y ajustar la velocidad del cabezal de la orilladora.

PALANCA DE BLOQUEO

Ayuda a evitar la activación accidental o no autorizada del gatillo. Se debe presionar antes de que se pueda activar el gatillo.

BISAGRA (SOLO ST1500-S)

Conecta y traba los dos ejes plegables.

CABEZAL DE LA ORILLADORA (CABEZAL DE GOLPE):

Accesorio de corte para cortar césped.

PERILLA DEL GOLPEADOR

Si golpea suavemente la perilla del golpeador en el suelo mientras opera la orilladora, se liberará el hilo de corte.

PROTECCIÓN

Diseñada para reducir el riesgo de lesiones provocadas por objetos extraños que se disparan hacia el operador desde el accesorio de corte y por el contacto con el accesorio de corte.

CUCHILLA DE CORTE LINEAL

La cuchilla de acero en la protección mantiene el hilo de corte en el largo adecuado.

BOTÓN DE LIBERACIÓN DE LA BATERÍA

Libera el paquete de baterías de la herramienta.

PALANCA

Bloquea el paquete de baterías cuando se instala en la herramienta.

MECANISMO DE EYECCIÓN

Ayuda en la extracción de la batería.

ENSAMBLE

⚠ ADVERTENCIA: Si faltan piezas o hay piezas dañadas, no opere este producto hasta reemplazar dichas piezas. El uso de este producto con piezas dañadas o faltantes podría provocar lesiones graves.

⚠ ADVERTENCIA: No intente modificar este producto ni crear accesorios que no estén recomendados para usarse con esta orilladora de hilo. Cualquier alteración o modificación de ese tipo representa mal uso y puede generar condiciones peligrosas que causen posibles lesiones personales graves.

⚠ ADVERTENCIA: Siempre retire el paquete de baterías del producto cuando ensamble piezas, realice ajustes, limpie el producto o cuando no lo esté usando.

DESEMBALAJE

- Este producto requiere ensamble.
- Retire con cuidado el producto y cualquier accesorio de la caja. Asegúrese de que todos los elementos que aparecen en la lista de empaque estén incluidos.
- Inspeccione la herramienta con cuidado para asegurarse de que no se rompieron o se dañaron piezas durante el envío.
- No deseche el embalaje hasta que no haya inspeccionado cuidadosamente la herramienta y sepa que funciona correctamente.
- Si hay alguna pieza dañada o faltante, devuelva el producto al lugar donde lo compró.

FUNCIONAMIENTO

⚠ ADVERTENCIA: No permita que el conocimiento de este producto lo vuelva imprudente. Recuerde que un descuido de una fracción de segundo es suficiente para ocasionar lesiones graves.

⚠ ADVERTENCIA: Siempre use lentes de protección con protección lateral que cumpla con la norma ANSI Z87.1, junto con protección auditiva. De lo contrario, podría provocar que se disparen objetos hacia sus ojos y otras posibles lesiones graves.

⚠ ADVERTENCIA: No use ningún aditamento o accesorio que no haya sido recomendado por el fabricante de este producto. Esto podría provocar lesiones graves.

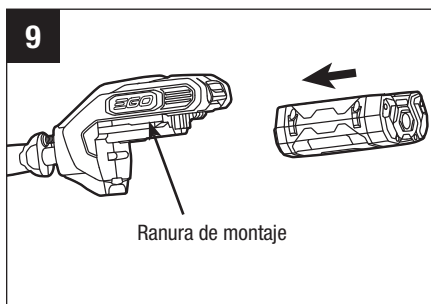
INSTALACIÓN Y EXTRACCIÓN DEL PAQUETE DE BATERÍAS (Fig. 9 y 10)

⚠ ADVERTENCIA: Siempre retire el paquete de baterías del producto cuando ensamble piezas, realice ajustes, limpie o no esté en uso. De esta manera, evitará el arranque accidental, el que podría provocar lesiones personales graves.

NOTA: Cargue completamente el paquete de baterías antes de usarlo por primera vez.

Instalación del paquete de baterías (Fig. 9)

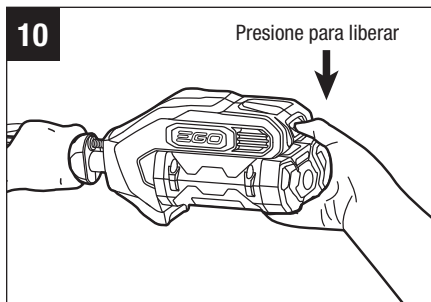
- Alinee las aletas del paquete de baterías con las ranuras de montaje en el puerto de la batería de la orilladora de hilo.
- Presione el paquete de baterías hacia el cabezal de la orilladora hasta que calce a presión en su posición.



NOTA: Asegúrese de que las aletas de la orilladora de hilo encajen en su lugar y que el paquete de baterías esté bien colocado en la herramienta antes de comenzar a operar.

Para retirar el paquete de baterías (Fig. 10)

⚠ ADVERTENCIA: Siempre tenga cuidado con la ubicación de sus pies, los niños o las mascotas cuando presione el botón de liberación de la batería. Se podrían provocar lesiones graves si se cae el paquete de baterías. **NUNCA** retire el paquete de baterías cuando esté en una ubicación alta.



- Sostenga el paquete de baterías en la palma de su mano.
- Presione el botón de liberación de la batería con el pulgar; el paquete de baterías se separará del pasador.
- Tome el paquete de baterías y retírelo de la orilladora de hilo.

MODO DE SOSTENER LA ORILLADORA DE HILO

⚠ ADVERTENCIA: Vista de manera adecuada para reducir el riesgo de lesiones cuando opere la herramienta. No use ropa holgada ni joyas. Use protección para los ojos y los oídos/audición. Use pantalones largos, mangas largas, botas y guantes gruesos. No use pantalones cortos, sandalias ni ande descalzo.

Antes de operar la unidad, colóquese en la posición de operación y verifique que:

- El operador use lentes de protección y ropa adecuada.
- Un brazo esté ligeramente doblado y que la mano de ese brazo sostenga la empuñadura posterior.
- El otro brazo esté recto y que con dicha mano se sostenga la empuñadura de ayuda frontal.
- El cabezal de la orilladora esté paralelo al suelo y que haga contacto fácilmente con el material de corte sin que el operador deba agacharse (Fig. 11).



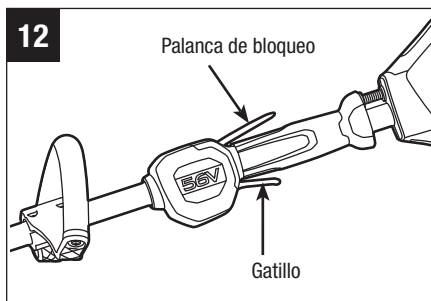
ARRANQUE Y DETENCIÓN DE LA ORILLADORA DE HILO

Antes de arrancar la orilladora de hilo

- Asegúrese de estar bien parado, con los pies firmes y en equilibrio.
- Párese derecho y sostenga la orilladora de hilo en una posición relajada.
- Asegúrese de que el hilo de corte no toque el piso ni otros objetos.
- Sostenga la orilladora de hilo con ambas manos: Una mano en la empuñadura posterior y otra en la empuñadura de ayuda frontal.

Arranque de la orilladora de hilo (Fig. 12)

1. Presione la palanca de bloqueo y sosténgala en esa posición. Suelte el gatillo para voltear la orilladora de hilo.
2. La velocidad de rotación del hilo de corte se controla con el gatillo de velocidad variable. Aplique más presión sobre el gatillo para aumentar la velocidad de corte; aplique menos presión para disminuir la velocidad de corte. Ajuste la velocidad según la tarea que deba realizar.



AVISO: El motor funciona solo si se presionan la palanca de bloqueo y el gatillo simultáneamente.

Para detener la orilladora de hilo

Suelte la palanca de bloqueo y el gatillo para detener la orilladora de hilo.

⚠ ADVERTENCIA: Retire siempre el paquete de baterías de la orilladora de hilo durante pausas en el trabajo y después de finalizarlo.

OPERACIÓN DE LA ORILLADORA DE HILO

⚠ ADVERTENCIA: Para evitar lesiones personales graves, use siempre gafas de seguridad o lentes de protección al operar este producto. Use una máscara o mascarilla antipolvo en lugares polvorientos.

Limpie el área que cortará antes de cada uso. Retire todos los objetos como piedras, vidrios rotos, clavos, alambres o cordeles que puedan ser arrojados o atascarse en los accesorios de corte. Mantenga alejados a los niños, los transeúntes y las mascotas. Mantenga a los niños, los transeúntes y las mascotas a 30,48 m de distancia como mínimo; aún podrían existir riesgos para los transeúntes debido a los objetos disparados. Se debe pedir a los transeúntes que usen lentes de protección. Si se acercan, detenga el motor y el accesorio de corte de inmediato.

⚠ ADVERTENCIA: Para evitar lesiones personales graves, retire siempre el paquete de baterías de la herramienta antes de realizarle mantenimiento, limpiarla, cambiar los accesorios o retirar materiales de la unidad.

Revisión de piezas dañadas o desgastadas antes de cada uso.

Revise el cabezal de golpe, la protección y la empuñadura de ayuda frontal, y reemplace todas las piezas agrietadas, torcidas, dobladas o dañadas.

La cuchilla del hilo de corte en el borde de la protección puede desafilarse con el tiempo. Se recomienda que la afile con una lima o la reemplace por una cuchilla nueva.

⚠ ADVERTENCIA: Siempre use guantes al montar o reemplazar la protección o al afilar o reemplazar la cuchilla. Sea consciente de la ubicación de la cuchilla en la protección y proteja sus manos de los cortes.

Limpie la orilladora después de cada uso.

⚠ ADVERTENCIA: Para evitar lesiones personales graves, retire siempre el paquete de baterías de la herramienta antes de realizarle mantenimiento, limpiarla, cambiar los accesorios o retirar materiales de la unidad.

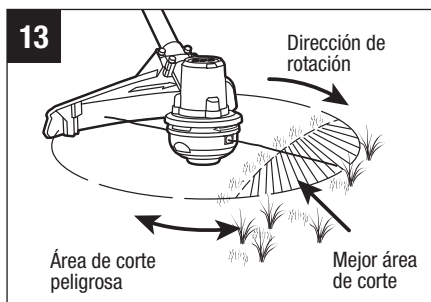
1. Limpie todo el pasto que haya quedado alrededor del eje del motor o del cabezal de la orilladora.
2. Use solo jabón suave y un paño húmedo para limpiar la herramienta. No permita que ingresen líquidos a la herramienta; no sumerja ninguna pieza de la herramienta en un líquido.
3. Limpie la unidad con un paño suave limpio y seco.
4. Mantenga las ventilas de aire de la carcasa posterior libres de suciedad en todo momento (Fig. 11).

AVISO: Obstruir las ventilas puede evitar que fluya aire en la carcasa del motor y provocar el sobrecalentamiento o daño del motor.

⚠ ADVERTENCIA: Nunca utilice agua para limpiar su orilladora. Evite el uso de solventes para limpiar las piezas de plástico. La mayoría de los plásticos son susceptibles a diferentes tipos de solventes comerciales. Utilice paños limpios para eliminar la suciedad, el polvo, el aceite, la grasa, etc.

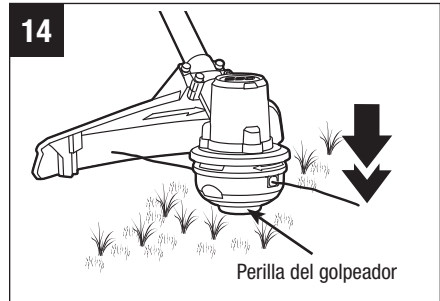
Consejos para obtener mejores resultados de corte (Fig. 13)

- El ángulo correcto para el accesorio de corte es paralelo al suelo.
- Esta orilladora de hilo le permite posar la perilla del golpeador en el suelo para un funcionamiento más cómodo.
- No fuerce la herramienta. Permita que la punta del hilo realice el corte (especialmente contra las paredes). Si no corta solo con la punta, se reducirá la eficiencia de corte y se podría sobrecargar el motor.
- El alto del corte está determinado por la distancia del hilo de corte desde la superficie del césped.
- El césped por sobre debe cortarse comenzando desde la parte superior hacia abajo en incrementos pequeños para evitar el desgaste prematuro del hilo o la guía del motor.
- Mueva lentamente la orilladora dentro y fuera del área que cortará y mantenga la posición del cabezal de corte en la altura de corte que desea. Este puede ser un movimiento hacia delante y hacia atrás, o de un lado a otro. El corte de medidas más reducidas produce mejores resultados.
- Corte solo cuando el césped y las malezas estén secos.
- Las cercas de alambre y de estacas pueden causar un desgaste excesivo o roturas. Las paredes de piedra o ladrillo, los bordillos y la madera pueden desgastar los hilos rápidamente.
- Evite los árboles y arbustos. Los hilos pueden dañar rápidamente la corteza de árboles, las molduras de madera, los revestimientos y los postes de cercas.



AJUSTE DEL LARGO DEL HILO DE CORTE

El cabezal de corte permite al operador liberar más hilo de corte sin detener el motor. A medida que el hilo se deshilacha o se desgasta, se puede liberar hilo adicional golpeando levemente la perilla del golpeador en el suelo mientras opera la orilladora (Fig. 14).



⚠ ADVERTENCIA: No retire ni modifique el ensamble de la cuchilla del hilo de corte. Un largo excesivo del hilo puede provocar que el motor se sobrecaliente y resultar en lesiones personales graves.

Para obtener mejores resultados, golpee la perilla del golpeador en un suelo sin plantas o en suelo duro. Si se intenta liberar el hilo en césped alto, el motor podría sobrecalentarse. Mantenga siempre el hilo de corte completamente extendido. La liberación del hilo se hace más difícil a medida que este se hace más corto.

REEMPLAZO DEL HILO

AVISO: Use siempre un hilo de corte estándar de nailon de 0.095 pulg (2.4 mm) de diámetro. Usar un hilo distinto al especificado puede causar que la orilladora de hilo se sobrecaliente o se dañe.

⚠ ADVERTENCIA: Nunca use hilo de metal reforzado, alambre o cuerda, etc. Este podría romperse y convertirse en un proyectil peligroso.

Hay dos métodos para reemplazar el hilo de corte:

1. Relleno del carrete con un hilo nuevo.
2. Instalación de un carrete nuevo.

Relleno del carrete con un hilo nuevo

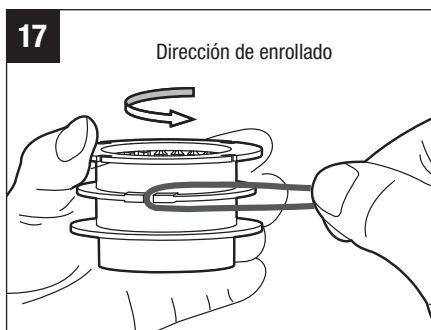
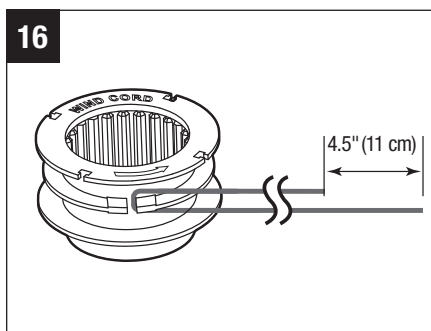
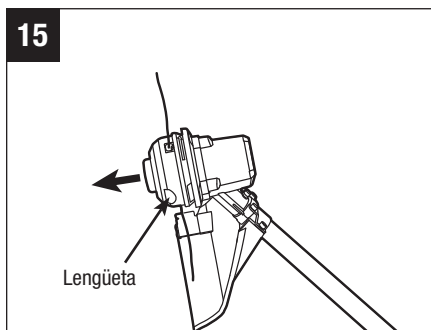
⚠ ADVERTENCIA: Para evitar lesiones personales graves, retire siempre el paquete de baterías de la herramienta antes de realizarle mantenimiento, limpiarla, cambiar los accesorios o retirar materiales de la unidad.

1. Retire el paquete de baterías.
2. Presione las lengüetas de liberación de la base del carrete y retire el tope del carrete jalándolo hacia fuera (Fig. 15).
3. Retire el carrete. Use un paño limpio para limpiar la superficie interna del tope y de la base del carrete.

AVISO: Limpie siempre el tope y la base del carrete antes de volver a ensamblar el cabezal de la orilladora.

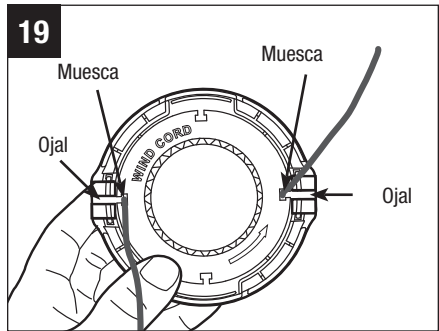
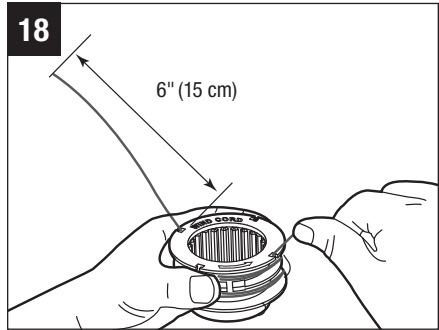
4. Revise que no haya piezas desgastadas en el tope del carrete, el carrete o la base del carrete.
5. Tome aproximadamente 17 pies de hilo de corte nuevo. Doble el hilo a la mitad y luego ajústelo de manera que un extremo sea 4.5 pulg (11 cm) más largo que el otro (Fig. 16).
6. Enganche el extremo doblado del hilo de corte en cualquiera de las ranuras del carrete (Fig. 17).
7. Enrolle el hilo en dos capas uniformes y apretadas en el carrete. Enrolle el hilo en la dirección indicada en el carrete (Fig. 17).

AVISO: No enrollar el hilo en la dirección indicada impedirá que la orilladora funcione correctamente.

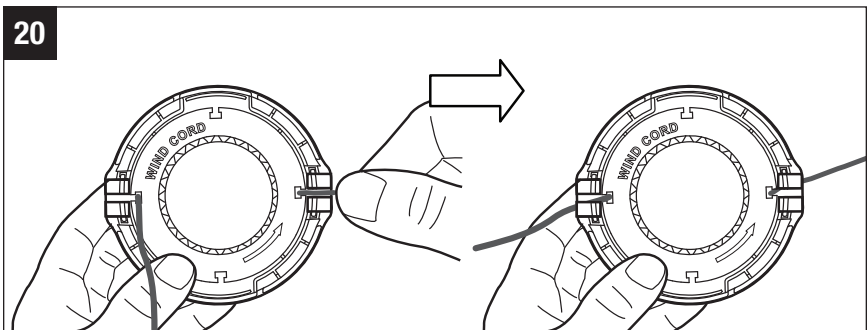


8. Coloque los extremos del hilo en las dos muescas opuestas del carrete, con aprox. 6 pulg (15 cm) de sobra (Fig. 18).

9. Alinee las muescas del carrete en las que sobresalen los hilos con los ojales del tope del carrete y coloque el carrete en el tope (Fig. 19).

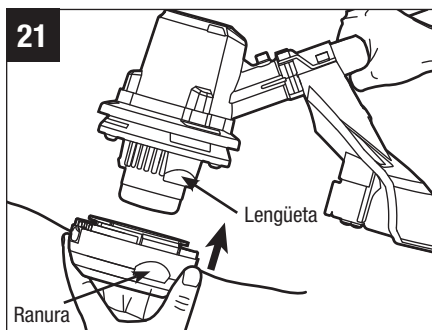


10. Mientras sostiene el carrete y el tope del carrete, tome un extremo del hilo y jálelo para liberarlo de la muesca en el ojal (Fig. 20). Repita el proceso para el otro extremo.



11. Con la base del carrete orientada hacia abajo, alinee las ranuras en el tope del carrete con las lengüetas en la base del carrete y presione el tope de manera uniforme hasta que calce en su lugar (Fig. 21).

AVISO: Asegúrese de que las lengüetas en la base del carrete calcen en su lugar. De lo contrario, el carrete se soltará durante el funcionamiento.



Instalar un carrete nuevo

⚠ ADVERTENCIA: Para evitar lesiones personales graves, retire siempre el paquete de baterías de la herramienta antes de realizarle mantenimiento, limpiarla, cambiar los accesorios o retirar materiales de la unidad.

1. Retire la batería.
2. Presione las lengüetas de liberación en la base del carrete y retire el tope jalándolo hacia fuera (figura 15).
2. Retire el carrete. Use un paño limpio para limpiar la superficie interna del tope y de la base del carrete.

AVISO: Limpie siempre el tope y la base del carrete antes de volver a ensamblar el cabezal de la orilladora.

3. Revise que el tope del carrete, el carrete y la base del carrete no estén desgastados. Si es necesario, reemplace las piezas desgastadas.
4. Coloque un carrete cargado en el tope del carrete.
5. Alinee las muescas del carrete en las que sobresalen los hilos con los ojales del tope del carrete y coloque el carrete en el tope (Fig. 19).
6. Sostenga el carrete y el tope del carrete; tome el hilo y jálalo para liberarlo de la muesca en el ojal (Fig. 20).
7. Con la base del carrete orientada hacia abajo, alinee las ranuras en el tope del carrete con las lengüetas en la base del carrete y presione el tope de manera uniforme hasta que calce en su lugar (Fig. 21).

AVISO: Asegúrese de que las lengüetas en la base del carrete calcen en su lugar. De lo contrario, el carrete se soltará durante el funcionamiento.

MANTENIMIENTO

⚠ ADVERTENCIA: Cuando realice el mantenimiento, solo use piezas de repuesto idénticas. El uso de otras piezas puede generar un peligro o dañar el producto. Para garantizar la seguridad y confiabilidad, todas las reparaciones las debe realizar un técnico calificado.

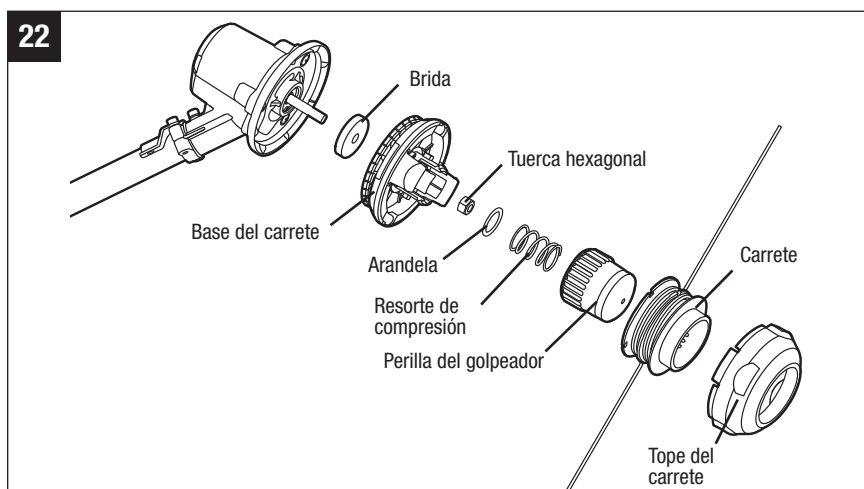
⚠ ADVERTENCIA: Las herramientas a batería no necesitan estar conectadas a un enchufe, por lo que siempre se encuentran en condiciones de funcionar. Para evitar lesiones personales graves, tome precauciones adicionales y tenga cuidado al realizar mantenimiento, reparar o cambiar el accesorio de corte u otros accesorios.

⚠ ADVERTENCIA: Para evitar lesiones personales graves, retire siempre el paquete de baterías de la herramienta antes de realizarle mantenimiento, limpiarla, cambiar los accesorios adicionales o retirar materiales de la unidad.

REEMPLAZO DEL CABEZAL DE LA ORILLADORA

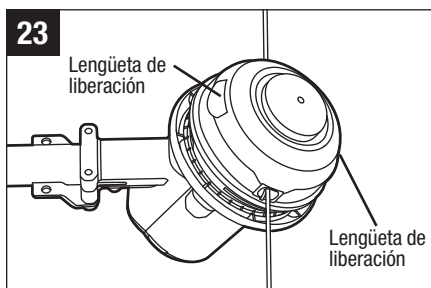
PELIGRO: Si el cabezal se suelta después de fijarlo en su posición, reemplácelo de inmediato. Nunca use una orilladora con un accesorio de corte suelto. Reemplace de inmediato los cabezales de corte agrietados, dañados o gastados, aunque el daño se limite a grietas superficiales. Dichos accesorios podrían desprenderse a alta velocidad y provocar lesiones graves.

⚠ ADVERTENCIA: Siempre retire el paquete de baterías del producto cuando ensamble piezas, realice ajustes o limpie el producto, o cuando no lo esté usando.

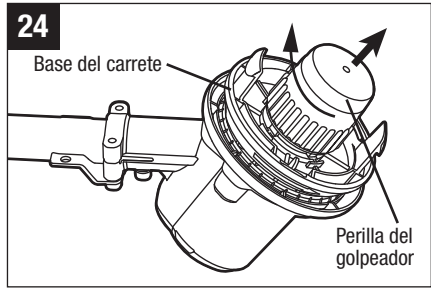


Retiro del cabezal de la orilladora

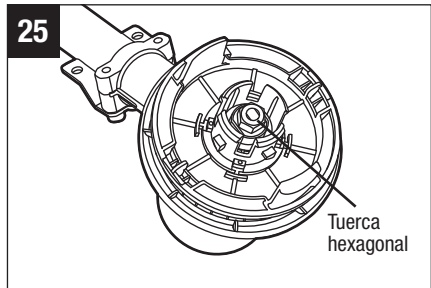
1. Presione las dos lengüetas de liberación en la base del carrete para retirar el carrete y el tope del carrete (figura 23).



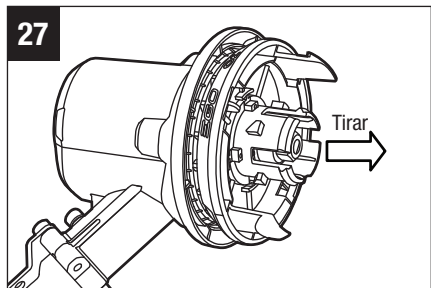
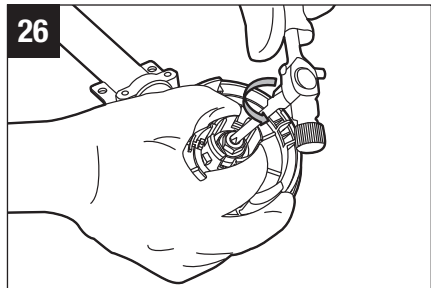
2. Mientras sostiene la base del carrete, gire la perilla del golpeador en dirección de las manecillas del reloj hasta que se detenga y, luego, jálala hacia fuera de la base (figura 24).



3. Use guantes para sostener la base del carrete con una mano y, con la otra, use una llave para dado manual de 1/2" (13 mm) para girar la tuerca hexagonal en dirección contraria a las manecillas del reloj para aflojarla (figuras 25 y 26).



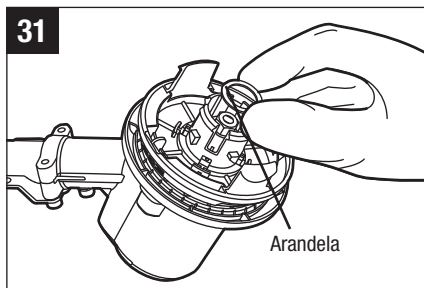
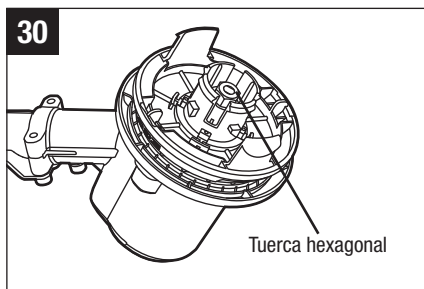
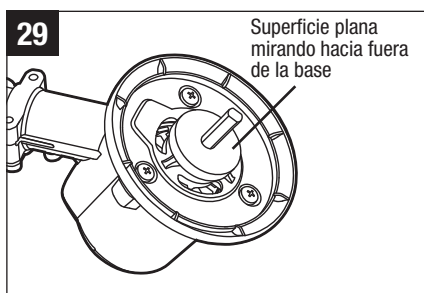
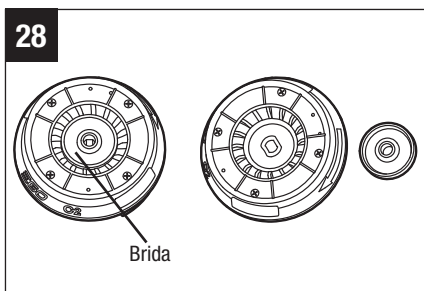
4. Sujete la base del carrete y jálala hacia fuera del eje del motor (figura 27).



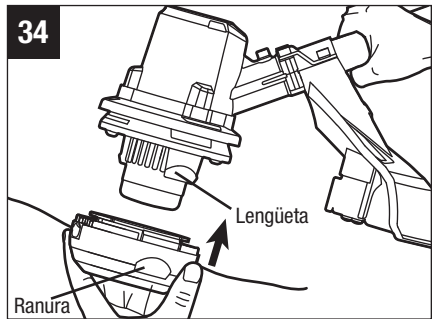
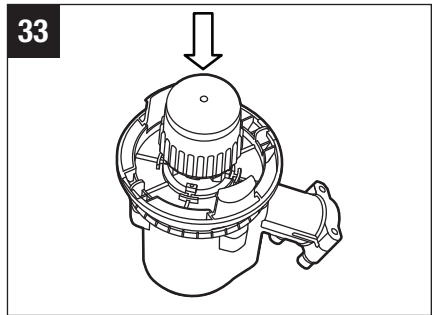
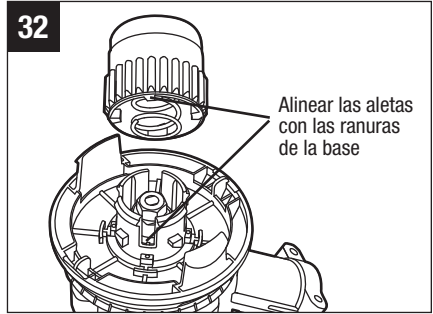
5. Retire la brida de la base y guárdela para usarla más adelante a fin de asegurar el nuevo cabezal de la orilladora (figura 28).

Instalación del nuevo cabezal de la orilladora

1. Coloque la brida que retiró en el paso 5 sobre el eje del motor con la superficie plana mirando hacia fuera de la base (figura 29).
2. Alinee el orificio para montaje de la base del carrete con el eje del motor y coloque la base sobre el eje.
3. Use guantes para sostener la base del carrete con una mano y, con la otra, use una llave para dado manual de 1/2" (13 mm) para girar la tuerca hexagonal en dirección de las manecillas del reloj para apretarla (figura 30).
4. Verifique que la arandela no se salga de la base. Ajuste la arandela en la base del carrete, como se muestra a continuación (figura 31).



5. Coloque la orilladora de forma tal que la carcasa del motor quede en el suelo. Alinee una de las aletas en la perilla del golpeador con la ranura en la base del carrete y baje la perilla del golpeador sobre la base (figura 32).
6. Con la palma de la mano, presione la perilla del golpeador hasta que quede bien asentado y trabado en su posición en la base. Cuando quede bien asentado, escuchará un clic (figura 33).
7. Con la base del carrete orientada hacia abajo, alinee las ranuras en el tope del carrete con las lengüetas en la base del carrete y presione el tope de manera uniforme hasta que calce en su lugar (figura 34).



LIMPIEZA DE LA UNIDAD

- Limpie todo el pasto que haya quedado alrededor del eje del motor o del cabezal de la orilladora.
- Use un cepillo pequeño o la descarga de aire de un cepillo de aspiradora pequeño para limpiar las ventilas de aire de la carcasa posterior.
- Mantenga las ventilas libres de obstrucciones.
- Limpie la unidad con un paño húmedo y detergente suave.
- No use detergentes fuertes en la carcasa de plástico o la empuñadura. Pueden dañarse con ciertos aceites aromáticos, como pino y limón, y con solventes como el queroseno. La humedad también puede producir riesgos de descargas eléctricas. Limpie la humedad con un paño limpio y seco.

AFILADO DE LA CUCHILLA DEL HILO DE CORTE

⚠ ADVERTENCIA: Siempre proteja las manos con guantes para trabajo pesado cuando realice el mantenimiento de la cuchilla del hilo de corte.

1. Retire la cuchilla del hilo de corte de la protección.
2. Asegure la cuchilla en una prensa de tornillo.
3. Use guantes y lentes de protección adecuados y tenga cuidado de no cortarse.
4. Lime cuidadosamente los bordes de corte de la cuchilla con una lima de dientes finos o una piedra de afilar y mantenga el borde de corte original.
5. Reemplace la cuchilla en el protector y asegúrela con dos tornillos.

ALMACENAMIENTO DE LA UNIDAD

- Retire el paquete de baterías de la orilladora.
- Limpie bien la herramienta antes de almacenarla.
- Almacene la unidad en un área bien ventilada, cerrada o en altura, alejada del alcance de los niños. No almacene la unidad con fertilizantes, gasolina u otros químicos o en cercanía de estos.

SOLUCIÓN DE PROBLEMAS

PROBLEMA	CAUSA	SOLUCIÓN
La orilladora de hilo no arranca.	<ul style="list-style-type: none"> ■ El paquete de baterías no está bien colocado en la orilladora. ■ No hay contacto eléctrico entre la orilladora y la batería. ■ El paquete de baterías está agotado. ■ La palanca de bloqueo y el gatillo no se presionaron simultáneamente. 	<ul style="list-style-type: none"> ■ Coloque el paquete de baterías en la orilladora. ■ Retire la batería, revise los contactos y vuelva a instalar el paquete de baterías. ■ Cargue el paquete de baterías. ■ Mantenga presionada la palanca de bloqueo hacia abajo y suelte el gatillo para encender la orilladora de hilo.
La orilladora de hilo se detiene durante el corte.	<ul style="list-style-type: none"> ■ El protector no está montado en la orilladora, lo que hace que el hilo de corte sea demasiado largo y que el motor se sobrecargue. ■ El hilo de corte que utiliza es pesado. ■ Hay césped enredado en el eje del motor o en el cabezal de la orilladora. ■ El motor está sobrecargado. ■ El paquete de baterías o la orilladora están muy calientes. ■ El paquete de baterías está desconectado de la herramienta. ■ El paquete de baterías está agotado. 	<ul style="list-style-type: none"> ■ Retire el paquete de baterías e instale la protección en la orilladora. ■ Use solo un hilo de corte de nailon de 0.095 pulg (2.4 mm) de diámetro o menos. ■ Detenga la orilladora, retire la batería y limpie el césped del eje del motor y del cabezal de la orilladora. ■ Retire el cabezal de la orilladora del césped. El motor volverá a funcionar cuando se retire la carga. Cuando realice cortes, mueva el cabezal de la orilladora hacia adentro y hacia afuera del césped a cortar. No corte más de Change to: 8 pulgadas (20.32 cm) de largo en una sola cortada. ■ Deje enfriar el paquete de baterías o la orilladora hasta que la temperatura descienda por debajo de los 152 °F (67 °C). ■ Vuelva a instalar el paquete de baterías. ■ Cargue el paquete de baterías.

<p>El cabezal de la orilladora no avanza el hilo.</p>	<ul style="list-style-type: none"> ■ Hay césped enredado en el eje del motor o en el cabezal de la orilladora. ■ No hay suficiente hilo en el carrete. ■ El cabezal de la orilladora está sucio. ■ El hilo está enredado en el carrete. ■ El hilo es demasiado corto. 	<ul style="list-style-type: none"> ■ Detenga la orilladora, retire la batería y limpie el motor y el cabezal de la orilladora. ■ Retire la batería y reemplace el hilo de corte; siga las instrucciones de la sección “REEMPLAZO DEL HILO” de este manual. ■ Retire la batería y limpie el carrete, el tope y la base del carrete. ■ Retire la batería, retire el hilo del carrete y rebóbinelo; siga las instrucciones de la sección “REEMPLAZO DEL HILO” de este manual. ■ Retire la batería y jale los hilos mientras presiona y suelta alternadamente la perilla del golpeador.
<p>El césped se enreda alrededor del cabezal de la orilladora y de la carcasa del motor.</p>	<ul style="list-style-type: none"> ■ Corte del césped alto a nivel del suelo. 	<ul style="list-style-type: none"> ■ Corte el césped alto desde la parte superior. Para evitar que el césped se enrede, no corte más de 8 pulgadas (20,32 cm) por cada cortada.
<p>El hilo no corta correctamente.</p>	<ul style="list-style-type: none"> ■ La cuchilla del hilo de corte en el borde de la protección se desafiló. 	<ul style="list-style-type: none"> ■ Afíle la cuchilla del hilo de corte con una lima o reemplácela por una cuchilla nueva.
<p>El tope del carrete se suelta después de fijarlo en su posición o se cae durante el corte.</p>	<ul style="list-style-type: none"> ■ El cabezal de la orilladora está gastado. 	<ul style="list-style-type: none"> ■ Reemplace el cabezal de la orilladora inmediatamente según lo indicado en la sección “REEMPLAZO DEL CABEZAL DE LA ORILLADORA” de este manual.

POLÍTICA DE GARANTÍA DE EGO

Garantía limitada de 5 años para el equipo electromecánico para exteriores EGO y garantía limitada de 3 años para los cargadores y los paquetes de baterías del sistema EGO Power+.

Póngase en contacto con el Servicio al Cliente de EGO de manera gratuita al 1-855-EGO-5656 en caso de preguntas o reclamaciones de garantía.

GARANTÍA LIMITADA DE SERVICIO

Este producto EGO está garantizado contra defectos en los materiales y la mano de obra POR CINCO AÑOS desde la fecha de su compra original. El producto defectuoso se reparará de manera gratuita.

El cargador y el paquete de baterías del sistema EGO Power+ están garantizados contra defectos en los materiales y la mano de obra POR TRES AÑOS desde la fecha de su compra original. El producto defectuoso se reparará de manera gratuita.

Esta garantía no cubre daños resultantes de la modificación, alteración o reparación no autorizada ni del uso de otro hilo de corte distinto al hilo estándar de nailon de 0.095 pulg (2.4 mm) de diámetro recomendado para el uso con este producto.

- a) Esta garantía se aplica solo al comprador original del distribuidor minorista autorizado de EGO y es posible que no sea transferible. Los distribuidores minoristas autorizados de EGO se identifican en línea, en <http://egopowerplus.com/pages/warranty-policy>.
- b) El periodo de garantía para cualquier pieza o producto EGO para propósitos industriales, profesionales o comerciales es de un año.
- c) Esta garantía queda nula si el producto se ha usado para propósitos de alquiler.
- d) Esta garantía no cubre daños resultantes de la modificación, alteración o reparación no autorizada ni del uso de otro hilo de corte distinto al hilo de nailon EGO AL0950 o AL0951 de 0.095 pulg (2.4 mm) de diámetro recomendado para el uso con este producto.
- e) Esta garantía solo cubre defectos bajo condiciones de uso normales y no cubre fallas, mal funcionamiento o defectos del producto por uso indebido, abuso (incluida la sobrecarga del producto por encima de su capacidad y la exposición de forma directa al agua o lluvia), accidentes, negligencia o instalación incorrecta y almacenaje o mantenimiento inadecuados.

- f) Esta garantía no cubre el deterioro normal del acabado exterior, incluidos, entre otros, rayones, abolladuras, trozos de pintura o cualquier corrosión o decoloración producida por el calor y limpiadores químicos y abrasivos.

CÓMO OBTENER EL SERVICIO

Para obtener el servicio de garantía, póngase en contacto con el Servicio al Cliente de EGO de manera gratuita al 1-855-EGO-5656. Cuando solicite el servicio de garantía, debe presentar el recibo de compra original con fecha. Se seleccionará un centro de servicio autorizado para reparar el producto de acuerdo con los términos de la garantía estipulados.

LIMITACIONES ADICIONALES

En la medida en que lo permita la ley aplicable, se rechazan todas las garantías implícitas, incluidas las garantías de COMERCIALIZACIÓN o IDONEIDAD PARA UN FIN EN PARTICULAR. Cualquier garantía implícita, incluidas las garantías de comerciabilidad o idoneidad para cualquier fin en particular, que no pueda ser rechazada según la ley estatal, está limitada a cinco años desde la fecha de compra para el equipo electromecánico para exteriores y tres años desde la fecha de compra para el cargador y el paquete de baterías.

Chervon North America no se hace responsable por daños directos, indirectos, accidentales o resultantes.

Algunos estados no permiten limitaciones con respecto a la duración de una garantía implícita o no permiten la exclusión o limitación de daños accidentales o resultantes, de modo que las limitaciones antes descritas podrían no aplicarse en su caso.

Esta garantía le otorga derechos legales específicos, pero también podría tener otros derechos que varían según el estado.

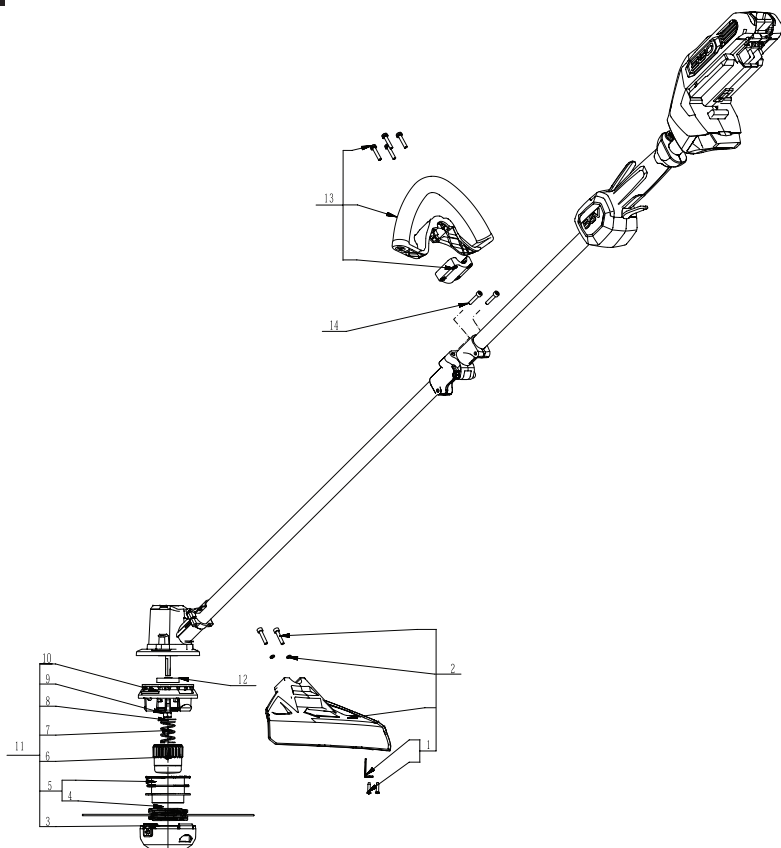
Para obtener el servicio al cliente, póngase en contacto con nosotros de manera gratuita al 1-855-EGO-5656 o visite EGOPOWERPLUS.COM

EGO CustomerService, 120 Ionia Street SW / Suite 102 Grand Rapids, MI 49503

LISTA DE PIEZAS

ORILLADORA DE HILO INALÁMBRICA DE IONES DE LITIO DE 12 PULG Y 56 VOLTIOS NÚMERO DE MODELO ST1500/ST1500-S

El número de modelo puede consultarse en la placa de nombre adjunta a la carcasa de la orilladora de hilo. Cuando pida una pieza para esta herramienta, mencione siempre el número de modelo.

35

NÚMERO DE ÍNDICE	PIEZA NO.	DESCRIPCIÓN	CANT.
1	2823713000	Juego de cuchillas de corte lineal	1
2	2824011000	Ensamble de la protección	1
3	2824019000	Ensamble del tope del carrete	1
4	3800103000	Hilo de corte	1
5	2824087000	Ensamble del carrete	1
6	2824022000	Perilla del golpeador	1
7	3660582000	Resorte de compresión	1
8	5650349000	Arandela	1
9	5630271000	Tuerca hexagonal	1
10	2824082000	Base del carrete	1
11	2824021000	Ensamble del cabezal de la orilladora	1
12	3520800000	Brida	1
13	2823711000	Ensamble de la empuñadura de ayuda frontal	1
14	5620216000	Pernos para eje de sujeción (disponible solo para el modelo ST1500-S)	2

