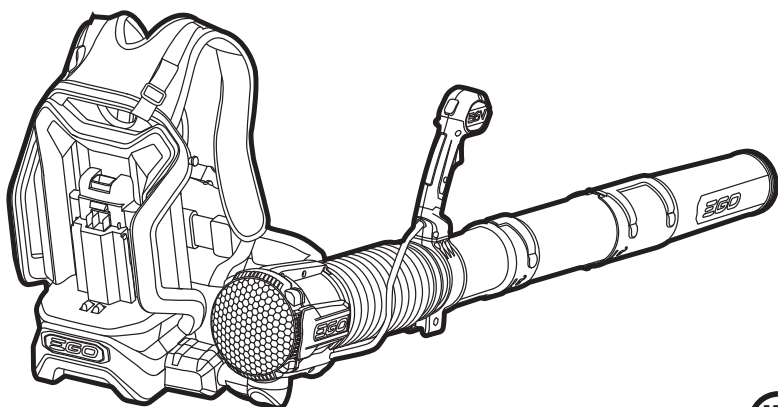


# EGO™

POWER<sup>+</sup> BLOWER



OPERATOR'S MANUAL

## 56V-VOLT LITHIUM-ION CORDLESS BACKPACK BLOWER

MODEL NUMBER LB6000

Français p. 30

Español p. 60

Notice: The Blower is intended for household or commercial use

**⚠ WARNING:** To reduce the risk of injury, the user must read and understand the Operator's Manual before using this product. Save these instructions for future reference.



## TABLE OF CONTENTS

Safety Symbols .....	4
Important Safety Instructions .....	5-10
Specifications .....	11
Description .....	12-13
Assembly .....	14-16
Operation .....	17-25
Maintenance .....	26
Troubleshooting .....	27
Warranty .....	28-29

# READ ALL INSTRUCTIONS!



READ & UNDERSTAND  
INSTRUCTION MANUAL

**⚠ WARNING:** Some dust created by power sanding, sawing, grinding, drilling and other construction activities contains chemicals known to the state of California to cause cancer, birth defects or other reproductive harm. Some examples of these chemicals are:

- Lead from lead-based paints,
- Crystalline silica from bricks and cement and other masonry products, and
- Arsenic and chromium from chemically-treated lumber.

Your risk from these exposures varies, depending on how often you do this type of work. To reduce your exposure to these chemical: work in a well ventilated area, and work with approved safety equipment, such as those dust masks that are specially designed to filter out microscopic particles.

# SAFETY GUIDELINES

## SAFETY SYMBOLS

The purpose of safety symbols is to attract your attention to possible dangers. The safety symbols and the explanations with them deserve your careful attention and understanding. The symbol warnings do not, by themselves, eliminate any danger. The instructions and warnings they give are no substitutes for proper accident prevention measures.

**⚠ WARNING:** Be sure to read and understand all safety instructions in this Operator's Manual, including all safety alert symbols such as "**DANGER**," "**WARNING**," and "**CAUTION**" before using this tool. Failure to following all instructions listed below may result in electric shock, fire, and/or serious personal injury.

## DAMAGE PREVENTION AND INFORMATION MESSAGES

These inform the user of important information and/or instructions that could lead to equipment or other property damage if they are not followed. Each message is preceded by the word "NOTICE", as in the example below:

**NOTICE:** Equipment and/or property damage may result if these instructions are not followed.



**⚠ WARNING:** The operation of any power tool can result in foreign objects being thrown into your eyes, which can result in severe eye damage. Before beginning power tool operation, always wear safety goggles or safety glasses with side shields and a full face shield when needed. We recommend a Wide Vision Safety Mask for use over eyeglasses or standard safety glasses with side shields. Always use eye protection which is marked to comply with ANSI Z87.1.

# IMPORTANT SAFETY INSTRUCTIONS

This page depicts and describes safety symbols that may appear on this product. Read, understand, and follow all instructions on the machine before attempting to assemble and operate.

	Safety Alert	Precautions that involve your safety.
	Read Operator's Manual	To reduce the risk of injury, user must read and understand the operator's manual before using this product.
	Long Hair	Failure to keep long hair away from the air inlet could result in personal injury.
	Loose Clothing	Failure to keep loose clothing from being drawn into air intake vents could result in personal injury.
	Eye Protection	Always wear safety goggles or safety glasses with side shields and a full face shield when operating this product.
	Keep Bystanders Away	Keep all bystanders at least 50 ft. away.
	Recycle Symbols	This product uses lithium-ion (Li-ion) batteries. Local, state, or federal laws may prohibit disposal of batteries in ordinary trash. Consult your local waste authority for information regarding available recycling and/or disposal options.
IPX4	Ingress Protection Degree	Protection from splashing water
V	Volt	Voltage

A	Amperes	Current
Hz	Hertz	Frequency (cycles per second)
W	Watt	Power
min	Minutes	Time
CFM	Cubic Feet per Minute	Air volume
MPH	Miles per Hour	Air velocity
~	Alternating Current	Type of current
≡	Direct Current	Type or a characteristic of current
$n_0$	No-Load Speed	Rotational speed, at no load
.../min	Per Minute	Revolutions per minute

When using an electrical appliance, basic precautions should always be followed, including the following:

## READ ALL INSTRUCTIONS BEFORE USING THIS PRODUCT!

**⚠ WARNING:** To ensure safety and reliability, all repairs should be performed by a qualified service technician.

**⚠ WARNING:** To reduce risk of fire, electric shock, or injury:

- **Know your power blower. Read the instruction manual carefully. Learn the blower's applications and limitations, as well as the specific potential hazards related to this blower.** Following this rule will reduce the risk of electric shock, fire, or serious injury.
- **Do not allow the blower to be used as a toy.** Close attention is necessary when used by or near children.
- **Use only as described in this manual. Use only manufacturer's recommended attachments.**
- **If the blower is not working as it should, has been dropped, damaged, left outdoors, or dropped into water, return it to a service center.**

- **Do not handle the charger, including charger plug, or charger terminals with wet hands.**
- **Do not put any object into any openings. Do not use with any opening blocked; keep openings free of dust, lint, hair, and anything that may reduce air flow.**
- **Keep hair, loose clothing, fingers, and all parts of body away from openings and moving parts.** Loose clothes, jewelry, or long hair can be drawn into air vents.
- **Secure long hair above shoulder level to prevent entanglement in moving parts.**
- **Use extra care when cleaning on stairs.**
- **Do not charge the battery pack outdoors.**
- **Use only the charger supplied by the manufacturer to recharge.**
- **Do not leave blower unattended when the battery is inserted.** Remove the battery when the blower is not in use and before servicing.
- **Do not operate blowers in explosive atmospheres, such as in the presence of flammable liquids, gases, or dust.** Blowers create sparks which may ignite the dust or fumes.
- **Use the battery operated blower only with specifically designated battery pack.** Use of any other batteries may create a risk of fire.
- Use only with battery packs and chargers listed below.

BATTERY PACK	CHARGER
BA1120, BA1400, BA2240 BA2800, BA4200	CH5500 CH2100

- **Stay alert, watch what you are doing and use common sense when operating a power blower. Do not use the blower while tired, upset, or under the influence of drugs, alcohol, or medication.** A moment of inattention while operating blowers may result in serious personal injury.
- **Avoid accidental starting. Be sure that the switch is in the locked or off position before inserting the battery pack.** Carrying blowers with your finger on the switch or inserting the battery pack into a blower with the switch on invites accidents.

- **Use safety equipment. Always wear eye protection.** Dust mask, non-skid safety shoes, hard hat, or hearing protection must be used for appropriate conditions.
- **Do not use on a ladder, rooftop, tree, or other unstable support.** Stable footing on a solid surface enables better control of the blower in unexpected situations.
- Always take care of your feet, children, or pets around you when removing the battery pack from blower. **Serious injury could result if the battery pack falls. NEVER remove the battery pack when in a high position.**
- **Do not use the blower if switch does not turn it on or off.** A blower that cannot be controlled with the switch is dangerous and must be repaired.
- **Disconnect the battery pack from the blower before making any adjustments, changing accessories, or storing the blower.** Such preventive safety measures reduce the risk of starting the blower accidentally.
- **Turn off all controls before removing the battery.**
- **DO NOT** attempt to clear clogs from the unit without first removing the battery.
- **Check for misalignment or binding of moving parts, breakage of parts, and any other condition that may affect the blower's operation. If damaged, have the blower serviced before using.** Many accidents are caused by poorly maintained blowers.
- **Keep the blower and its handle dry, clean and free from oil and grease.** Always use a clean cloth when cleaning. Never use brake fluids, gasoline, petroleum-based products, or any strong solvents to clean your blower. Following this rule will reduce the risk of loss of control and deterioration of the enclosure plastic.
- **Always wear safety glasses with side shields.** Everyday glasses have only impact resistant lenses. They are NOT safety glasses. Following this rule will reduce the risk of eye injury.
- **Always wear eye protection with side shields marked to comply with ANSI Z87.1 along with hearing protection when operating this equipment.**
- **Protect your lungs. Wear a face or dust mask if the operation is dusty.** Following this rule will reduce the risk of serious personal injury.
- **Protect your hearing. Wear hearing protection during extended periods of operation.** Following this rule will reduce the risk of serious personal injury.



- **Battery powered blowers do not have to be plugged into an electrical outlet; therefore, they are always in operating condition. Be aware of possible hazards when not using your battery powered blower or when changing accessories.** Following this rule will reduce the risk of electric shock, fire, or serious personal injury.
- **Wear heavy long pants, long sleeves, boots, and gloves.** Avoid loose garments or jewelry that could get caught in moving parts of the machine or its motor.
- **Do not operate the equipment while barefoot or when wearing sandals or similar lightweight footwear.** Wear protective footwear that will protect your feet and improve your footing on slippery surfaces.
- **Do not incinerate the appliance even if it is severely damaged.** The batteries can explode in a fire.
- **Batteries can explode in the presence of a source of ignition, such as a pilot light.** To reduce the risk of serious personal injury, never use any cordless product in the presence of open flame. An exploded battery can propel debris and chemicals. If exposed, flush with water immediately.
- **Keep firm footing and balance. Do not overreach.** Overreaching can result in loss of balance.
- **Check the work area before each use.** Remove all objects such as rocks, broken glass, nails, wire, or string which can be thrown by or become entangled in the machine.
- **Do not point the blower tube in the direction of people or pets.**
- **Never run the unit without the proper equipment attached.** Always ensure that the blower tube is installed.
- **When not in use, the blower should be stored indoors in a dry, secure place out of the reach of children.**
- **Keep all bystanders, children, and pets at least 50 ft. away.**
- **Blower service must be performed only by qualified repair personnel.** Service or maintenance performed by unqualified personnel may result in a risk of injury.

- **When servicing a blower, use only identical replacement parts.** Follow instructions in the Maintenance section of this manual. Use of unauthorized parts or failure to follow Maintenance Instructions may create a risk of shock or injury.
- **Never use the blower near fires or hot ashes.** Use near fires or ashes can spread fires and result in serious injury and/or property damage.
- **Never use blower to spread chemicals, fertilizers, or any other toxic substances.** Spreading these substances could result in serious injury to the operator or bystanders.
- **Never place the blower on any surface, except a hard, clean surface when the engine is running.** Gravel, sand, and other debris can be picked up by the air inlet and thrown at the operator or bystanders, causing possible serious injuries.
- **Save these instructions.** Refer to them frequently and use them to instruct others who may use this tool. If you loan this tool to someone else, also loan these instructions to them to prevent misuse of the product and possible injury.

**SAVE THESE INSTRUCTIONS!**

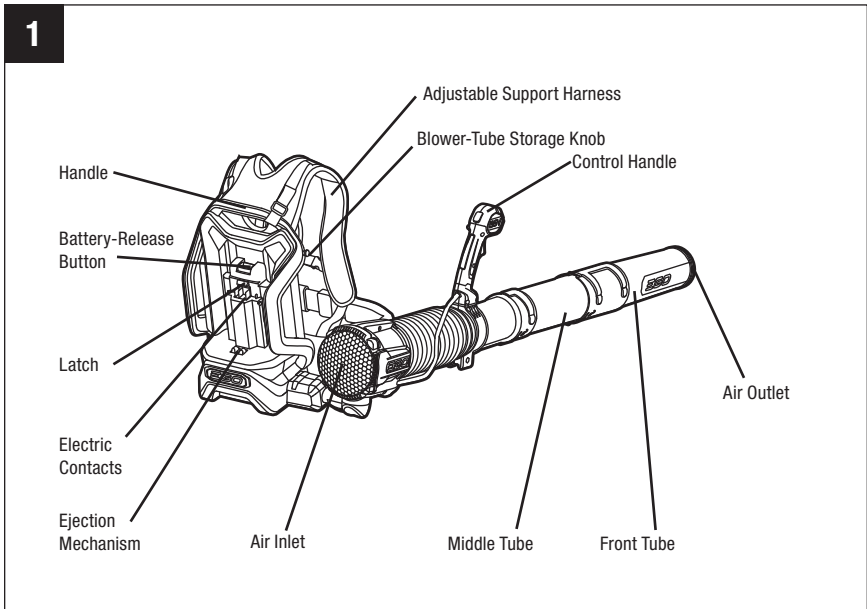
## SPECIFICATIONS

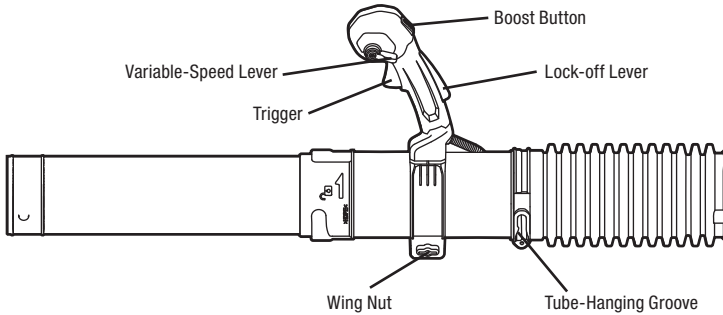
Voltage	56 V DC
Air Volume	Boost: 600 CFM
	High: 500 CFM
	Low: 260 CFM
Maximum Air Velocity	145 MPH
Average Air Velocity	Boost: 120 MPH
	High: 100 MPH
	Low: 50 MPH
Approximate Run Time (with EGO BA2800 56V Battery 5.0 Ah)	15 min. (Boost)
	22 min. (High speed)
	120 min. (Low speed)
Blower Weight (Without battery pack, with tube)	12.5 lbs (5.7 Kg)

# DESCRIPTION

## KNOW YOUR BLOWER (Fig. 1 & 2)

The safe use of this product requires understanding of the information on the tool and in this operator's manual, as well as knowledge of the project you are attempting. Before use of this product, familiarize yourself with all operating features and safety rules.



**2**


<b>Trigger</b>	Starts or stops the blower.
<b>Lock-off Lever</b>	Helps prevent accidental or unauthorized activation of the trigger. The lever must be depressed before the trigger can be engaged to start the blower.
<b>Variable-Speed Lever</b>	Increases or reduces the speed of the air generated by the blower.
<b>Boost Button</b>	Temporarily increases the air speed to the maximum while at any speed setting.
<b>Battery-Release Button</b>	Releases the battery pack from the blower.
<b>Adjustable Support Harness</b>	Distributes weight evenly across the shoulders and back, reducing user fatigue.
<b>Wing Nut</b>	Makes it easy to adjust the control handle backwards or forwards.
<b>Blower-Tube Storage Knob and Tube-Hanging Groove</b>	Hooks the blower-tube storage knob on the battery compartment housing into the tube-hanging groove in the blower tube when the blower is not in use.

## ASSEMBLY

**⚠ WARNING:** If any parts are damaged or missing, do not operate this product until the parts are replaced. Use of this product with damaged or missing parts could result in serious personal injury.

**⚠ WARNING:** Do not attempt to modify this product or create accessories not recommended for use with this blower. Any such alteration or modification is misuse and could result in a hazardous condition leading to possible serious personal injury.

## UNPACKING

- Carefully remove the product and any accessories from the box. Make sure that all items listed in the packing list are included.

**⚠ WARNING:** Do not use this product if any parts on the packing list are already assembled to your product when you unpack it. Parts on this list are not assembled to the product by the manufacturer and require customer installation. Use of a product that may have been improperly assembled could result in serious personal injury.

- Inspect the tool carefully to make sure that no breakage or damage occurred during shipping.
- Do not discard the packing material until you have carefully inspected and satisfactorily operated the tool.
- If any parts are damaged or missing, please return the product to the place of purchase.

## LIST OF PARTS

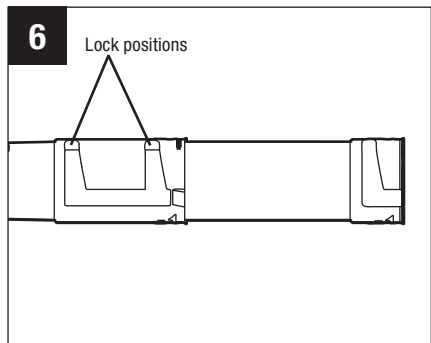
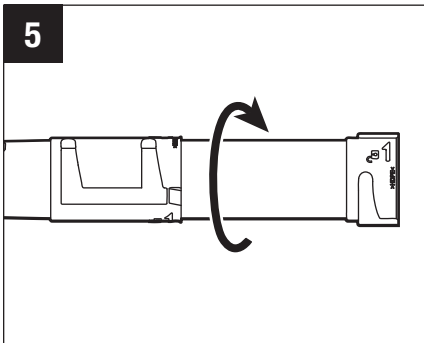
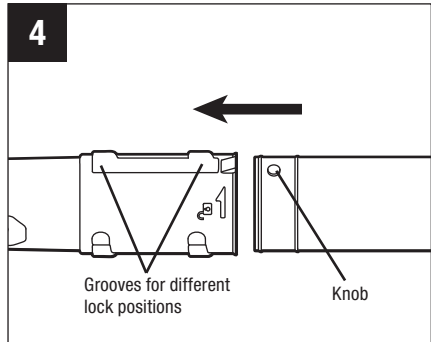
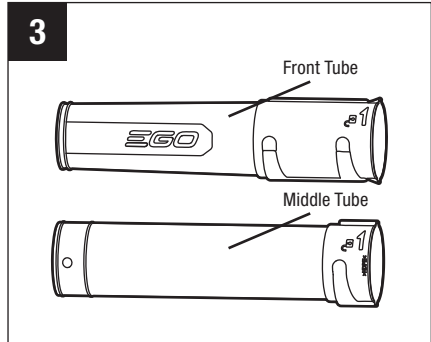
PART NAME	QUANTITY
Blower	1
Blower tubes	2
Operator's manual	1

## ASSEMBLING THE BLOWER TUBES

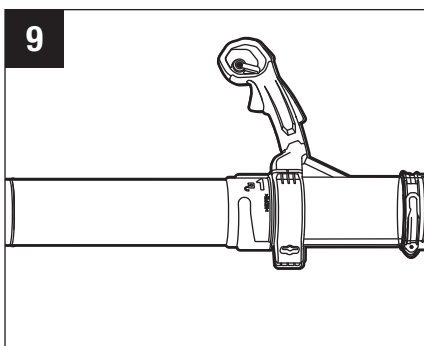
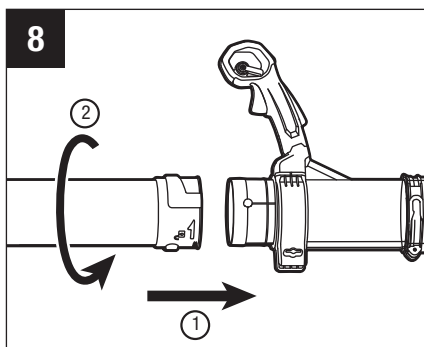
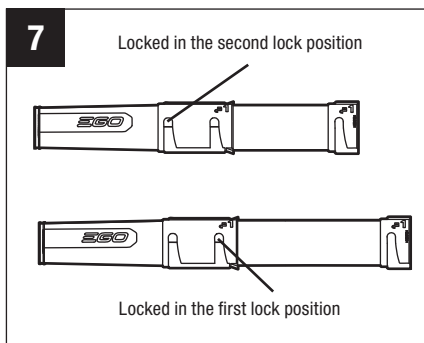
**⚠ WARNING:** To prevent accidental starting that could cause serious personal injury, always remove the battery pack from the tool when assembling parts.

1. There are two tubes for the blower: a front tube and a middle tube (Fig. 3).
2. First attach the front tube onto the middle tube. Align either of the grooves in the front tube with the knob on the middle tube (Fig. 4).
3. Push the middle tube forward until the knob engages either of the grooves. Then rotate the middle tube in the direction of the arrow until the knob slides into the lock position (Fig. 5 & 6).

**NOTICE:** Before the middle tube is locked into place during rotation, you will notice a built-in stop that will create some resistance. Continue to rotate the tube past the stop until it slides fully into the lock position.



4. You may shorten or lengthen the tube length according to your preference by locking the middle tube into different lock positions (Fig. 7).
5. Attach the tube assembly onto the blower housing in the same way (Fig. 8 & 9).
6. To remove the tube assembly from the blower housing or to separate the two tubes, first turn the tube in the unlocking direction to disengage the latch and then pull the tube straight outward.





## OPERATION

**⚠ WARNING:** Do not allow familiarity with this product to make you careless. Remember that a careless fraction of a second is sufficient to inflict serious injury.

**⚠ WARNING:** Always wear eye protection with side shields that is marked to comply with ANSI Z87.1, along with hearing protection. Failure to do so could result in objects being thrown into your eyes and other possible serious injuries.

**⚠ WARNING:** Do not use any attachments or accessories not recommended by the manufacturer of this product. The use of attachments or accessories not recommended can result in serious personal injury.

Before each use, inspect the entire product for damaged, missing, or loose parts, such as screws, nuts, bolts, caps, etc. Tighten securely all fasteners and caps and do not operate this product until all missing or damaged parts are replaced.

## APPLICATION

You may use this product for the purposes listed below:

- Clearing hard surfaces, such as driveways and walkways
- Keeping decks and driveways free from leaves and pine needles

## TO INSTALL/REMOVE BATTERY PACK

### CHARGE BEFORE FIRST USE.

**NOTE:** For best performance, we recommend use of the EGO 56V Battery BA2240 (4.0 Ah) or any EGO 56V battery with higher capacity.

**⚠ WARNING:** Always remove the battery pack from the product when you are assembling parts, making adjustments, cleaning, or when not in use. Removing the battery pack will prevent accidental starting that could cause serious personal injury.

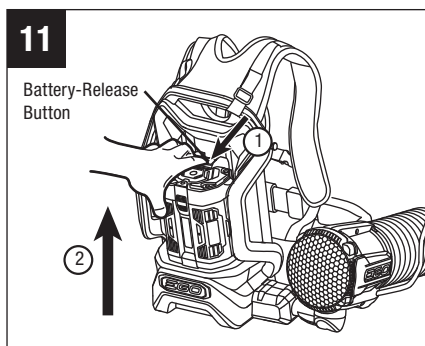
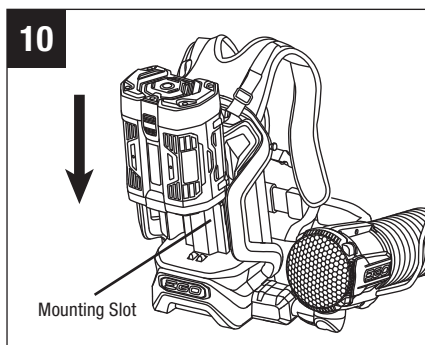
### To Install Battery (Fig. 10)

1. Align the ribs of the battery pack with the mounting slots in the blower's battery compartment.
2. Press the battery pack down until it snaps into position.

### To Remove Battery (Fig. 11)

**⚠ WARNING:** Always take care to note the location of your feet, children, or pets when pressing the battery-release button. Serious injury could result if the battery pack falls. NEVER remove the battery pack when in a high location.

1. Press the battery-release button; the battery pack will disengage from the latch and the ejection mechanism will assist with removal.
2. Remove the battery pack from the blower.



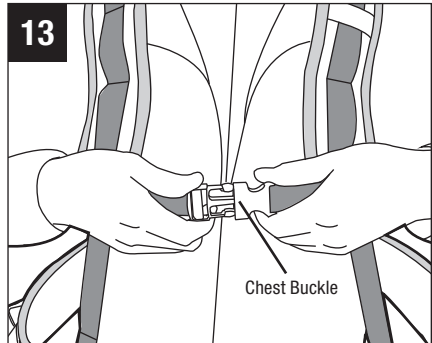
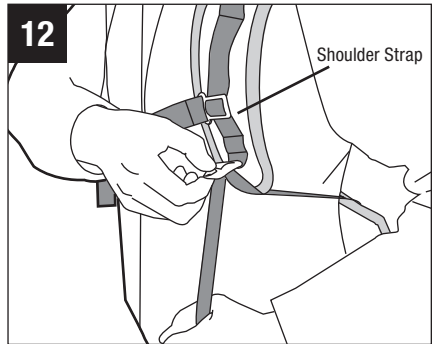
## POSITIONING THE BACKPACK BLOWER

**⚠ WARNING:** Dress properly to reduce the risk of injury when operating this tool. Do not wear loose clothing or jewelry. Wear eye and ear/hearing protection. Wear heavy, long pants, boots and gloves. Do not wear short pants or sandals or go barefoot.

Before using the backpack blower, make sure that the operator is wearing eye protection and proper clothing and can maintain a secure and balanced footing.

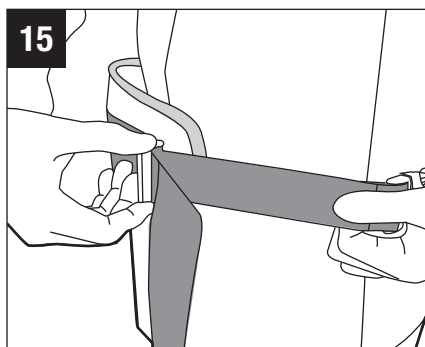
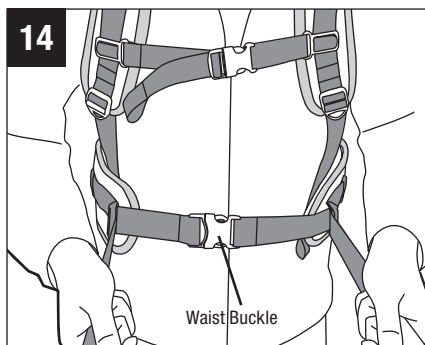
### To Adjust the Support Harness

1. Put your arms through the backpack straps to support the blower on your back.
2. Temporarily adjust both shoulder straps to comfortable positions (Fig. 12), making sure that your elbow is comfortable.
3. Snap the chest buckle and adjust its length if necessary (Fig. 13).

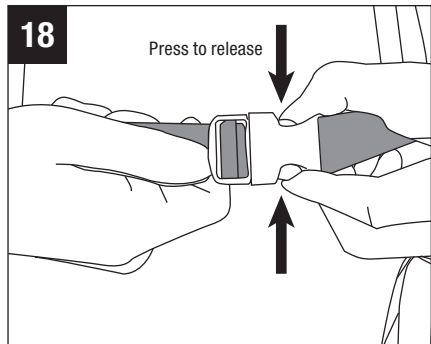
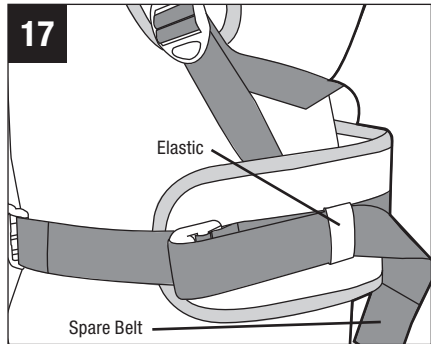
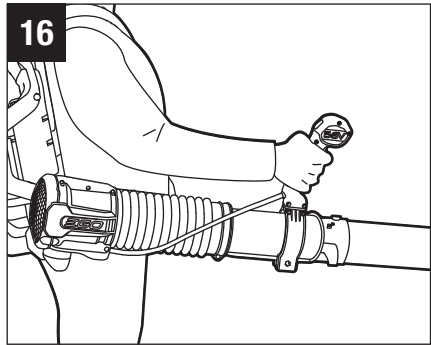


4. Snap the waist buckle and adjust its length so that the backpack is securely supported by your hips (Fig. 14 & 15).

**NOTICE:** The backpack shouldn't sit too high on your back; it should be positioned closer to your hips than to your shoulders.

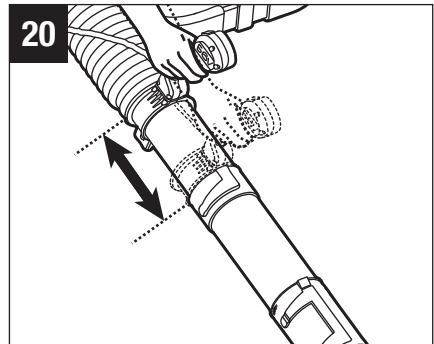
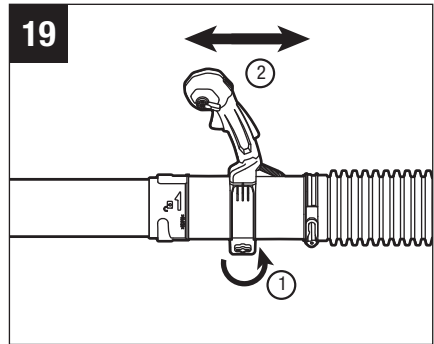


5. Readjust the shoulder straps for security and comfort. Make sure that the backpack sits securely on your back, with the weight supported by the waist strap, and without excess movement when you move (Fig. 16).
6. Insert any extra length of belt around the waist into the elastic on both sides (Fig. 17).
7. To detach the tool from your back, just press the waist and chest buckles to release them and lower the tool (Fig. 18).

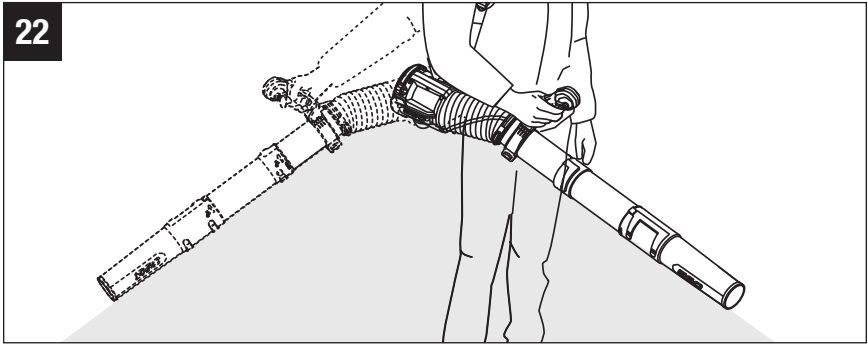
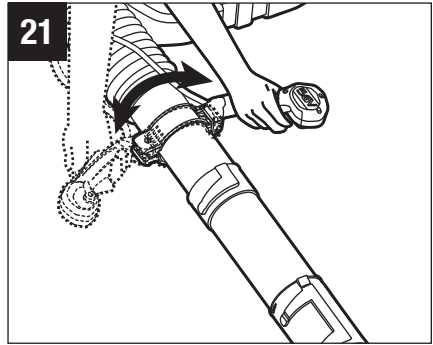


## To Adjust the Control Handle

1. Loosen the wing nut to adjust the handle forward or backward as needed (Fig. 19 & 20) and then tighten the wing nut to secure the position of the handle.



2. You may also rotate the handle as needed for comfort (Fig. 21).
3. To enlarge the area you are cleaning, move the tube to the left or the right (Fig. 22).



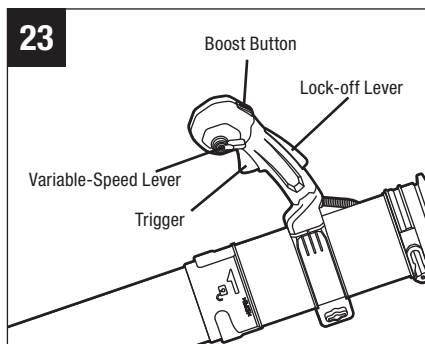
## STARTING/STOPPING THE BLOWER (Fig. 23)

1. To start the blower, press down on the lock-off lever and hold it, then depress the trigger. The blower will begin to run.
2. To stop the blower, release the trigger.

## ADJUSTING THE AIR SPEED (Fig. 23)

The blower is equipped with stepless speed regulation to control air speed.

1. To increase the air speed, pull the variable-speed lever downward when the blower runs; to reduce the air speed, push the knob upward.
2. To boost the air speed at any setting, press the boost button to increase the air speed to the maximum. The blower will resume the previously selected speed when this button is released.





## **TIPS FOR USING THE BLOWER**

- To keep from scattering debris, blow around the outer edges of a debris pile. Never blow directly into the center of a pile.
- To reduce sound levels, limit the number of pieces of equipment used at any one time.
- Use rakes and brooms to loosen debris before blowing. In dusty conditions, slightly dampen surfaces if water is available.
- Watch out for children, pets, open windows, or freshly washed cars, and blow debris safely away.
- After using blowers or other equipment, clean up! Dispose of debris properly.

## MAINTENANCE

**⚠ WARNING:** When servicing, use only identical replacement parts. Use of any other parts may create a hazard or cause product damage. To ensure safety and reliability, all repairs should be performed by a qualified service technician.

**⚠ WARNING:** To avoid serious personal injury, always remove the battery pack from the blower before cleaning or performing any maintenance.

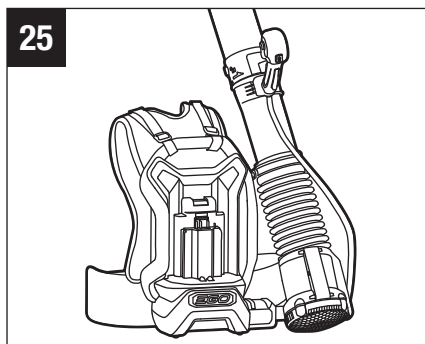
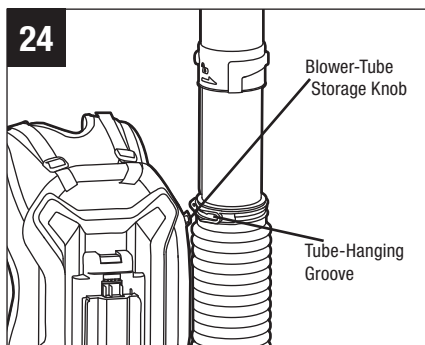
### GENERAL MAINTENANCE

Avoid using solvents when cleaning plastic parts. Most plastics are susceptible to damage from various types of commercial solvents and may be damaged by their use. Use clean cloths to remove dirt, dust, oil, grease, etc.

**⚠ WARNING:** Do not at any time let brake fluids, gasoline, petroleum-based products, penetrating oils, etc., come in contact with plastic parts. Chemicals can damage, weaken or destroy plastic which may result in serious personal injury.

### STORAGE

- Remove the battery pack from the blower.
- Clean all foreign material from the air inlets of the blower.
- Align the blower-tube storage knob with the tube-hanging groove and hook the blower tube onto the battery compartment housing (Fig. 24 & 25).
- Store in an enclosed space that is inaccessible to children. Keep away from corrosive agents, such as garden chemicals and de-icing salts.



## TROUBLESHOOTING

PROBLEM	CAUSE	SOLUTION
Blower doesn't work.	<ul style="list-style-type: none"><li>▪ The battery pack is not attached to the blower.</li><li>▪ There is no electrical contact between the blower and battery.</li><li>▪ The battery pack is depleted.</li><li>▪ The battery pack or blower is too hot.</li></ul>	<ul style="list-style-type: none"><li>▪ Attach the battery pack to the blower.</li><li>▪ Remove battery, check contacts and reinstall the battery pack.</li><li>▪ Charge the battery pack.</li><li>▪ Cool the battery pack and blower until their temperature drops below 152°F (67°C). For best performance, we recommend use of the EGO 56V Battery BA2240 (4.0 Ah) or any EGO 56V battery with higher capacity.</li></ul>
The air speed is noticeably reduced.	<ul style="list-style-type: none"><li>▪ Excessive wearing of motor fan.</li><li>▪ The air inlet is blocked by debris.</li></ul>	<ul style="list-style-type: none"><li>▪ Contact EGO service center for repair.</li><li>▪ Remove the battery pack, clear the debris.</li></ul>



# WARRANTY

## EGO WARRANTY POLICY

5 year limited warranty on EGO outdoor power equipment and 3 year limited warranty on EGO Power+ System battery packs and chargers.

**Please contact EGO Customer Service Toll-Free at 1-855-EGO-5656** any time you have questions or warranty claims.

## LIMITED SERVICE WARRANTY

FOR FIVE YEARS from the date of original retail purchase, this EGO product is warranted against defects in material or workmanship. Defective product will receive free repair.

FOR THREE YEARS from the date of original retail purchase, the EGO Power+ System battery pack and charger are warranted against defects in material or workmanship. Defective product will receive free repair.

This warranty does not cover routine maintenance parts and consumables that can wear out from normal use within the warranty period.

- This warranty applies only to the original purchaser from an authorized EGO retailer and may not be transferred. Authorized EGO retailers are identified online at <http://egopowerplus.com/pages/warranty-policy>.
- The warranty period for any EGO product or part used for industrial, professional or commercial purpose is one year.
- This warranty is void if the product has been used for rental purpose.
- This warranty does not cover the damage resulting from modification, alteration or unauthorized repair.
- This warranty only covers defects arising under normal usage and does not cover any malfunction, failure or defect resulting from misuse, abuse (including overloading of the product beyond capacity and immersion in water or other liquid), accidents, neglect or lack of proper installation, and improper maintenance or storage.
- This warranty does not cover normal deterioration of the exterior finish, including but not limited to scratches, dents, paint chips, or to any corrosion or discoloring by heat, abrasive and chemical cleaners.

## HOW TO OBTAIN SERVICE

For warranty service, please contact EGO customer service toll-free at **1-855-EGO-5656**. When requesting warranty service, you must present the original dated sales receipt. An authorized service center will be selected to repair the product according to the stated warranty terms.

## ADDITIONAL LIMITATIONS

To the extent permitted by applicable law, all implied warranties, including warranties of MERCHANTABILITY or FITNESS FOR A PARTICULAR PURPOSE, are disclaimed. Any implied warranties, including warranties of merchantability or fitness for a particular purpose, that cannot be disclaimed under state law are limited to five years from the date of purchase for outdoor power equipment and three years from date of purchase for battery pack and charger.

Chervon North America is not responsible for direct, indirect, incidental or consequential damages.

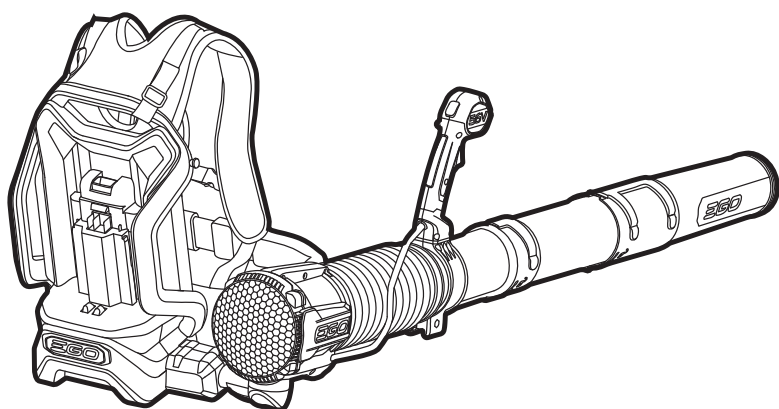
Some states do not allow limitations on how long an implied warranty lasts and/or do not allow the exclusion or limitation of incidental or consequential damages, so the above limitations may not apply to you.

This warranty gives you specific legal rights, and you may also have other rights which vary from state to state.

For customer service contact us toll-free at: **1-855-EGO-5656** or **EGOPOWERPLUS.COM**  
EGO Customer Service, 120 Ionia Street SW / Suite 102 Grand Rapids, MI 49503

# EGO™

POWER<sup>+</sup> BLOWER



GUIDE D'UTILISATION

# SOUFFLEUR À HARNAIS SANS FIL À PILE AU LITHIUM-ION DE 56 V

NUMÉRO DE MODÈLE LB6000

Avertissement : Le souffleur est conçu pour un usage résidentiel ou commercial.

**⚠ AVERTISSEMENT :** Afin de réduire les risques de blessure, l'utilisateur doit lire et comprendre le guide d'utilisation avant d'utiliser ce produit. Conservez le présent guide afin de pouvoir le consulter ultérieurement.

# TABLE DES MATIÈRES

Symboles De Sécurité .....	33
Consignes De Sécurité Importantes .....	34-40
Caractéristiques .....	41
Description .....	42-43
Assemblage .....	44-46
Fonctionnement .....	47-55
Entretien .....	56
Dépannage .....	57
Garantie .....	58-59

## LISEZ TOUTES LES INSTRUCTIONS!



VOUS DEVEZ LIRE ET COMPRENDRE  
TOUTES LES INSTRUCTIONS DU GUIDE.

**⚠ AVERTISSEMENT :** La poussière créée par le ponçage, le sciage, le meulage, le perçage et autres activités de construction peut contenir des produits chimiques connus dans l'État de la Californie pour causer le cancer, des anomalies congénitales et des problèmes du système reproducteur. Voici des exemples de ces produits chimiques :

- Le plomb contenu dans la peinture au plomb;
- La silice cristallisée contenue dans les briques, le ciment et d'autres produits de maçonnerie;
- L'arsenic et le chrome contenus dans le bois d'œuvre traité avec des produits chimiques.

Les risques liés à l'exposition à ces produits varient en fonction de la fréquence à laquelle vous effectuez ce type de travail. Pour réduire votre exposition à ces produits chimiques, travaillez dans une zone bien ventilée et portez l'équipement de sécurité approuvé, comme les masques antipoussières conçus spécialement pour ne pas laisser passer les particules microscopiques.



# LIGNES DIRECTRICES SUR LA SÉCURITÉ

## SYMBOLES DE SÉCURITÉ

L'objectif des symboles de sécurité est d'attirer votre attention sur les dangers potentiels. Vous devez examiner attentivement et bien comprendre les symboles de sécurité et les explications qui les accompagnent. Les symboles d'avertissement n'éliminent pas le danger d'eux-mêmes. Les consignes et avertissements qu'ils donnent ne remplacent en aucun cas la prise de mesures préventives adéquates.

**⚠ AVERTISSEMENT :** Avant d'utiliser cet outil, veuillez à lire et à comprendre toutes les consignes de sécurité du guide d'utilisation, notamment tous les symboles d'alerte de sécurité comme « **DANGER** », « **AVERTISSEMENT** » et « **MISE EN GARDE** ». Le fait de ne pas respecter toutes les consignes ci-dessous peut occasionner un choc électrique, un incendie ou des blessures graves.

## MESSAGES D'INFORMATION ET DE PRÉVENTION DES DOMMAGES

Ces messages fournissent à l'utilisateur de l'information et des consignes importantes. Les ignorer pourrait occasionner des dommages à l'équipement ou d'autres dommages matériels. Le mot « AVERTISSEMENT » précède chaque message, comme dans l'exemple ci-dessous :

**AVERTISSEMENT :** Ne pas suivre ces consignes pourrait occasionner des dommages à l'équipement ou d'autres dommages matériels.



**⚠ AVERTISSEMENT :** Lors de l'utilisation de tout outil électrique, des corps étrangers peuvent être projetés dans les yeux et causer des lésions oculaires graves. Avant d'utiliser un outil électrique, veuillez à toujours porter des lunettes de protection couvrantes ou à écrans latéraux, ou un masque complet au besoin. Nous recommandons le port d'un masque de sécurité panoramique par-dessus les lunettes ou de lunettes de sécurité standard avec écrans latéraux. Portez toujours un équipement de protection des yeux conforme à la norme ANSI Z87.1.

## CONSIGNES DE SÉCURITÉ IMPORTANTES

Cette page illustre et décrit les symboles de sécurité qui peuvent être présents sur ce produit. Vous devez lire, comprendre et suivre toutes les instructions présentes sur l'appareil avant d'entamer son assemblage ou son utilisation.

	<p>Alerte de sécurité</p>	<p>Précautions destinées à assurer votre sécurité.</p>
	<p>Lire le guide d'utilisation</p>	<p>Afin de réduire les risques de blessure, l'utilisateur doit lire et comprendre le guide d'utilisation avant d'utiliser ce produit.</p>
	<p>Cheveux longs</p>	<p>Veillez à garder les cheveux longs loin de l'entrée d'air pour éviter les blessures.</p>
	<p>Vêtements lâches</p>	<p>Empêchez les vêtements amples d'être aspirés dans l'entrée d'air pour éviter les blessures.</p>
	<p>Protection oculaire</p>	<p>Lorsque vous utilisez ce produit, veillez à toujours porter des lunettes de protection couvrantes ou à écrans latéraux, ou un masque complet.</p>
	<p>Maintenir toute personne à l'écart</p>	<p>Maintenez toute personne à une distance d'au moins 15 mètres.</p>
	<p>Symbole de recyclage</p>	<p>Ce produit fonctionne au moyen d'un bloc-pile au lithium-ion (Li-ion). La législation locale, provinciale ou fédérale peut interdire la mise au rebut des blocs-piles dans une poubelle ordinaire. Consultez l'organisme local en matière de déchets au sujet des options disponibles pour la mise au rebut ou le recyclage.</p>

IPX4	Niveau de protection d'indice	Protection contre les projections d'eau
V	Volt	Tension
A	Ampère	Courant
Hz	Hertz	Fréquence (cycles par seconde)
W	Watt	Électricité
min	Minutes	Temps
m <sup>3</sup> /min.	Pieds cubes par minute	Débit d'air
Km/h	Kilomètres à l'heure	Vitesse de l'air
~	Courant alternatif	Type de courant
—	Courant continu	Type de courant ou caractéristique du courant
n <sub>0</sub>	Vitesse à vide	Vitesse de rotation à vide
... /min.	Par minute	Tours par minute

En utilisant un appareil électrique, des précautions basique doivent être suivis toujours, ça comprend le suivant :

## LISEZ TOUTES LES INSTRUCTIONS AVANT D'UTILISER CE PRODUIT!

**⚠ AVERTISSEMENT :** Pour assurer la sécurité et la fiabilité de l'appareil, toutes les réparations doivent être effectuées par un technicien en entretien et en réparation qualifié.

**⚠ AVERTISSEMENT :** Afin de réduire les risques d'incendie, de choc électrique et de blessures :

- **Familiarisez-vous avec votre souffleur. Lisez attentivement toutes les instructions du guide. Prenez connaissance des usages et des limites du souffleur, ainsi que des risques potentiels propres à ce souffleur.** En suivant cette règle, vous réduirez les risques de choc électrique, d'incendie et de blessures graves.
- **Le souffleur ne doit jamais être utilisé comme un jouet.** L'utilisation par des enfants ou à proximité de ceux-ci doit faire l'objet d'une attention particulière.

- **Utilisez cet appareil conformément aux consignes de ce guide. N'utilisez que des pièces recommandées par le fabricant.**
- **Si la soufflante ne marche pas comme elle doit, s'est fait tombée, est endommagée, laissée à l'extérieur, ou s'est fait tombée dans l'eau, rend-la au centre de service.**
- **Évitez de manipuler le chargeur, y compris la prise et les bornes du chargeur, avec des mains humides.**
- **N'introduisez aucun objet dans les ouvertures. Cessez l'emploi si une ouverture est bloquée. Assurez-vous que les ouvertures ne sont pas obstruées par de la poussière, des fibres, des cheveux ou toute autre matière qui pourrait réduire le débit d'air.**
- **Maintenez vos cheveux, vos vêtements, vos doigts et toute autre partie du corps à l'écart des ouvertures et des pièces mobiles.** Les vêtements, bijoux et cheveux longs peuvent être aspirés dans les entrées d'air.
- **Attachez vos cheveux plus haut que les épaules afin d'éviter qu'ils s'emmêlent dans les pièces mobiles.**
- **Faites preuve de vigilance lorsque vous utilisez cet appareil dans des escaliers.**
- **Évitez de charger le bloc-pile à l'extérieur.**
- **Rechargez le bloc-pile uniquement au moyen du chargeur fourni par le fabricant.**
- **Ne laissez pas le souffleur sans surveillance lorsque le bloc-pile est en place.** Retirez le bloc-pile lorsque le souffleur ne sert pas et avant d'en faire l'entretien.
- **Ne faites pas fonctionner le souffleur dans une atmosphère explosive, par exemple en présence de liquides inflammables, de gaz ou de poussières.** Les souffleurs provoquent des étincelles qui peuvent enflammer la poussière et les émanations.
- **Utilisez le souffleur à piles uniquement avec le bloc-pile expressément indiqué.** L'utilisation de tout autre bloc-pile peut constituer un risque d'incendie.

- Utilisez le produit uniquement avec les blocs-piles et les chargeurs indiqués ci-dessous.

BLOC-PILE	CHARGEUR
BA1120, BA1400, BA2240 BA2800, BA4200	CH5500 CH2100

- **Restez vigilant, soyez attentif à ce que vous faites et faites preuve de bon sens lorsque vous utilisez un souffleur électrique. N'utilisez pas le souffleur si vous êtes fatigué, troublé ou sous l'influence de drogues, d'alcool ou de médicaments.** Un moment d'inattention lorsque vous utilisez le souffleur peut occasionner des blessures graves.
- **Évitez les mises en marche accidentelles. Veillez à ce que l'interrupteur soit bloqué ou en position d'arrêt avant d'insérer le bloc-pile dans l'appareil.** Transporter un souffleur en ayant le doigt sur l'interrupteur ou y insérer un bloc-pile avec l'interrupteur en position de marche est propice aux accidents.
- **Portez de l'équipement de sécurité. Portez toujours un équipement de protection oculaire.** Le port d'un masque antipoussières, de chaussures de protection antidérapantes ou de protecteurs auriculaires est de rigueur pour assurer des conditions adéquates d'utilisation.
- **N'utilisez pas ce produit alors que vous êtes sur une échelle, sur un toit, dans un arbre ou sur tout autre support instable.** Un équilibre et une surface stables permettent de mieux contrôler le souffleur en cas de situations inattendues.
- Soyez toujours conscient de l'emplacement de vos pieds, de vos enfants et de vos animaux de compagnie lorsque vous retirez le bloc-pile du souffleur. **La chute du bloc-pile pourrait occasionner des blessures graves. Ne retirez JAMAIS le bloc-pile lorsque vous vous trouvez dans une position surélevée.**
- **N'utilisez pas le souffleur si l'interrupteur ne permet pas de le mettre en marche ou de l'arrêter.** Tout souffleur qui ne peut être contrôlé au moyen de l'interrupteur est dangereux et doit être réparé.
- **Retirez le bloc-pile du souffleur avant de procéder à des ajustements, de changer d'accessoire ou de ranger l'appareil.** De telles mesures de sécurité préventives réduisent les risques de mise en marche accidentelle du souffleur.
- **Mettez toutes les commandes à la position d'arrêt avant de retirer le bloc-pile de l'appareil.**

- **NE TENTEZ PAS** de dégager ce qui obstrue l'appareil sans avoir d'abord retiré le bloc-pile.
- **Vérifiez l'alignement des pièces mobiles, leur fixation et leur état et recherchez tout autre problème pouvant nuire au fonctionnement du souffleur. Si le souffleur est endommagé, faites-le réparer avant de l'utiliser.** Bon nombre d'accidents sont dus au mauvais entretien du souffleur.
- **Maintenez le souffleur et ses poignées secs, propres et exempts d'huile ou de graisse. Servez-vous toujours d'un linge propre pour nettoyer l'appareil. Ne nettoyez jamais l'appareil avec du liquide pour freins, de l'essence, des produits à base de pétrole ou des solvants forts. En suivant cette règle, vous réduirez les risques de perte de contrôle et de détérioration du boîtier en plastique de l'appareil.**
- **Portez toujours des lunettes de protection munies d'écrans latéraux. Les lentilles des lunettes ordinaires ne sont résistantes qu'aux chocs. Ce ne sont PAS des lunettes de sécurité. En suivant cette règle, vous réduirez les risques de blessures aux yeux.**
- **Lorsque vous utilisez cet appareil, portez systématiquement une protection oculaire munie d'écrans latéraux conforme à la norme ANSI Z87.1, ainsi que des protecteurs auriculaires.**
- **Protégez vos poumons. Portez un masque de protection ou un masque antipoussières lorsque l'endroit est poussiéreux.** En suivant cette règle, vous réduirez les risques de blessures graves.
- **Protégez vos oreilles. Portez des protecteurs auriculaires lorsque vous vous servez de l'appareil pour une période prolongée.** En suivant cette règle, vous réduirez les risques de blessures graves.
- **Les souffleurs à piles n'ont pas besoin d'être branchés sur une prise de courant. Par conséquent, ils sont toujours prêts à l'emploi. Prenez conscience des dangers potentiels lorsque vous ne vous servez pas du souffleur à piles ou au moment de changer les accessoires.** En suivant cette règle, vous réduirez les risques de choc électrique, d'incendie et de blessures graves.
- **Portez des pantalons longs et épais, des manches longues, des bottes et des gants. Évitez de porter des vêtements amples et des bijoux qui pourraient se coincer dans les pièces mobiles de l'appareil ou dans son moteur.**
- **N'utilisez pas cet appareil les pieds nus, avec des sandales ou avec tout autre type de chaussures légères.** Portez des chaussures de sécurité qui protégeront vos pieds et amélioreront votre stabilité sur les surfaces glissantes.

- **N'incinerez pas l'appareil, même s'il est sérieusement endommagé.** Les piles risquent d'exploser si elles sont en contact avec le feu.
- **Les piles peuvent exploser en présence d'une source d'inflammation, comme une flamme pilote.** Pour réduire les risques de blessures graves, n'utilisez jamais un appareil sans fil près d'une flamme nue. Lorsqu'une pile explose, des débris et des produits chimiques en sont expulsés. En cas d'exposition, rincez à l'eau immédiatement.
- **Conservez une stabilité et un équilibre adéquats. Ne tendez pas les bras trop loin.** Un étirement exagéré pourrait vous faire perdre l'équilibre.
- **Avant chaque utilisation, vérifiez l'état de l'aire de travail.** Enlevez tous les objets, comme les cailloux, éclats de verre, clous, câbles ou fils, qui pourraient être projetés par l'appareil ou y rester coincés.
- **Ne dirigez pas le tube du souffleur vers les gens ou les animaux.**
- **Ne faites jamais fonctionner l'appareil sans les accessoires adéquats.** Assurez-vous toujours que le tube du souffleur est bien installé.
- **Lorsqu'il ne sert pas, le souffleur doit être rangé à l'intérieur dans un endroit sec et sécuritaire hors de portée des enfants.**
- **Maintenez les gens, enfants et animaux à une distance d'au moins 15 mètres.**
- **La réparation et l'entretien du souffleur doivent être effectués par un réparateur qualifié.** L'exécution de l'entretien et des réparations par une personne non qualifiée peut entraîner des risques de blessures.
- **Lorsque vous procédez à l'entretien de l'outil, utilisez uniquement des pièces de remplacement identiques à celles d'origine.** Suivez les instructions dans la section sur l'entretien de ce guide. L'utilisation de pièces non autorisées et le non-respect des instructions d'entretien peuvent entraîner des risques de choc et de blessures.
- **N'utilisez jamais le souffleur près d'un feu ou de cendres chaudes.** Un usage à proximité d'un feu ou de cendres risque de propager les flammes et d'occasionner des blessures graves et des dommages.
- **Ne vous servez jamais du souffleur pour disperser des produits chimiques, des engrais ou toute autre substance toxique.** La dispersion de ces substances pourrait causer des blessures graves à l'utilisateur et aux gens à proximité.

- **Ne placez jamais le souffleur sur une surface qui n'est pas propre et solide lorsque le moteur tourne.** Du gravier, du sable et d'autres débris risquent d'être aspirés dans l'entrée d'air et propulsés vers l'utilisateur et les gens à proximité et de leur causer des blessures graves.
- **Conservez ces instructions.** Consultez-les régulièrement et servez-vous-en pour expliquer le fonctionnement de l'outil à d'autres personnes qui l'utiliseraient. Si vous prêtez cet outil à quelqu'un, prêtez-lui également ces instructions afin de prévenir un usage inapproprié du produit et des blessures potentielles.

**CONSERVEZ CES INSTRUCTIONS!**



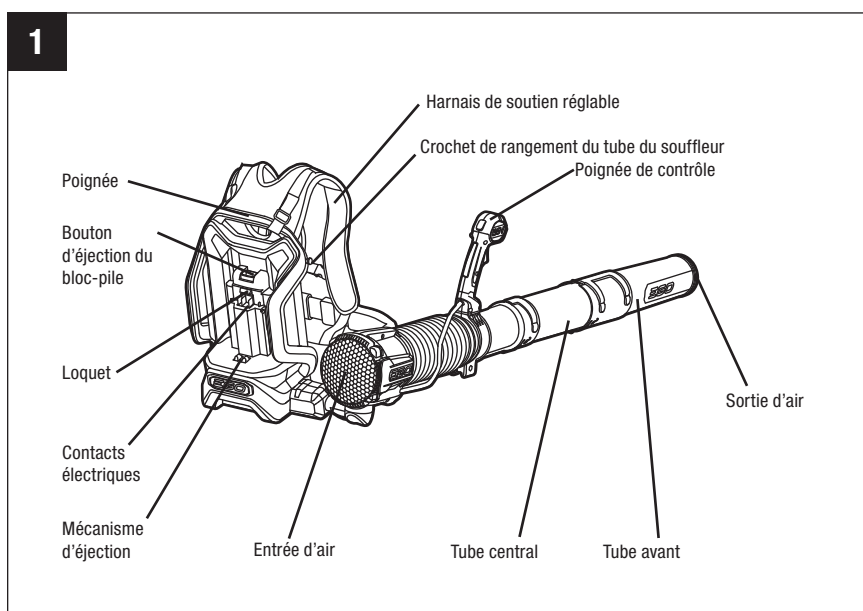
## CARACTÉRISTIQUES

Tension	56 V c.c.
Débit d'air	Turbo : 600 pi <sup>3</sup> /min
	Élevé : 500 pi <sup>3</sup> /min
	Faible : 260 pi <sup>3</sup> /min
Vitesse d'air maximale	233,35 km/h
Vitesse d'air moyenne	Turbo : 193,12 km/h
	Élevée : 160,93 km/h
	Faible : 80,46 km/h
Temps de fonctionnement approximatif (avec EGO BA2800 à pile de 56 V et de 5 Ah)	15 min (vitesse turbo)
	22 min (vitesse élevée)
	120 min (vitesse faible)
Poids du souffleur (sans le bloc-pile, avec le tube)	5,7 kg (12,5 lb)

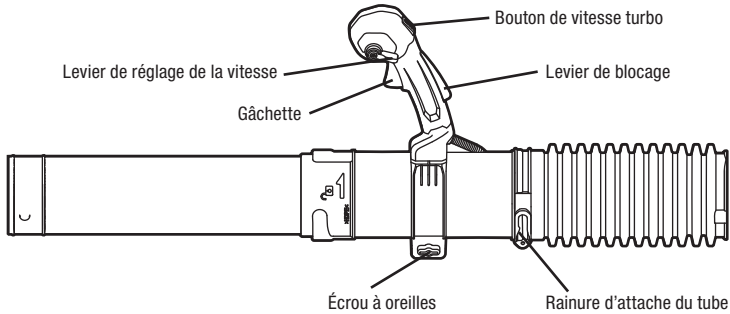
# DESCRIPTION

## FAMILIARISEZ-VOUS AVEC VOTRE SOUFFLEUR (Fig. 1 et 2)

Pour utiliser ce produit en toute sécurité, vous devez comprendre les renseignements le concernant contenus dans le présent guide d'utilisation et connaître le projet que vous entreprenez. Avant d'utiliser ce produit, familiarisez-vous avec toutes les caractéristiques de fonctionnement et consignes de sécurité.



2



<b>Gâchette</b>	Allume ou éteint le souffleur.
<b>Levier de blocage</b>	Aide à prévenir l'activation accidentelle de la gâchette. Le levier doit être enfoncé avant que vous puissiez appuyer sur la gâchette pour mettre en marche le souffleur.
<b>Levier de réglage de la vitesse</b>	Augmente ou réduit la vitesse d'air qui s'échappe du souffleur.
<b>Bouton de vitesse turbo</b>	Augmente temporairement la vitesse d'air au maximum, quelle qu'elle soit à ce moment-là.
<b>Bouton d'éjection du bloc-pile</b>	Permet de retirer le bloc-pile du souffleur.
<b>Harnais de soutien réglable</b>	Répartit le poids uniformément sur les épaules et le dos afin de réduire la fatigue de l'utilisateur.
<b>Écrou à oreilles</b>	Permet de déplacer facilement la poignée de contrôle vers l'avant ou vers l'arrière.
<b>Crochet de rangement et rainure d'attache du tube du souffleur</b>	Permet de ranger le souffleur lorsqu'il est inutilisé en plaçant le crochet de rangement du tube situé sur le boîtier du compartiment à pile dans la rainure d'attache du tube.

## ASSEMBLAGE

**⚠ AVERTISSEMENT:** S'il y a des pièces manquantes ou endommagées, ne tentez pas d'utiliser ce produit tant que ces pièces n'auront pas été remplacées. L'utilisation de ce produit avec des pièces endommagées ou manquantes peut occasionner des blessures graves.

**⚠ AVERTISSEMENT:** Ne tentez pas de modifier ce produit ni de créer des accessoires qui ne sont pas recommandés pour ce souffleur. Toute altération ou modification de ce type constitue un usage inapproprié et peut engendrer une situation dangereuse susceptible de causer des blessures graves.

## DÉBALLAGE

- Retirez soigneusement le produit et tous les accessoires de la boîte. Assurez-vous que tous les éléments mentionnés sur la liste des pièces sont présents.

**⚠ AVERTISSEMENT:** N'utilisez pas ce produit si l'une ou l'autre des pièces figurant sur la liste des pièces est déjà assemblée à votre produit lors du déballage. Les pièces de cette liste ne sont pas assemblées au produit par le fabricant et doivent être installées par le client. L'utilisation d'un produit mal assemblé pourrait occasionner des blessures graves.

- Inspectez l'outil soigneusement pour vérifier qu'aucun bris ou dommage ne s'est produit au cours de l'expédition.
- Ne jetez pas le matériel d'emballage avant d'avoir inspecté soigneusement l'outil et de l'avoir fait fonctionner de manière satisfaisante.
- S'il y a des pièces manquantes ou endommagées, veuillez retourner le produit à l'endroit où vous l'avez acheté.

## LISTE DES PIÈCES

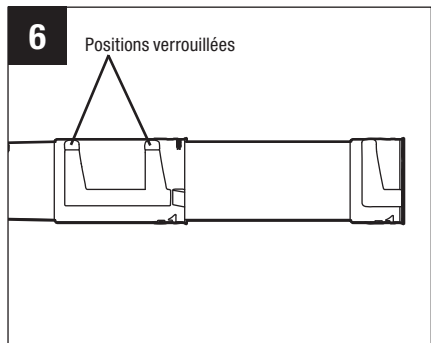
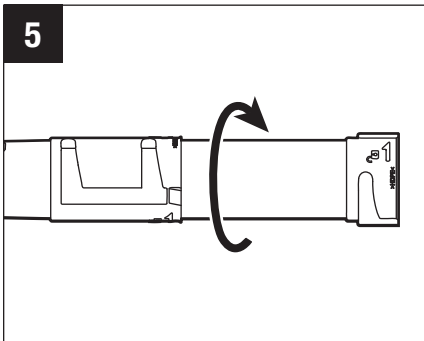
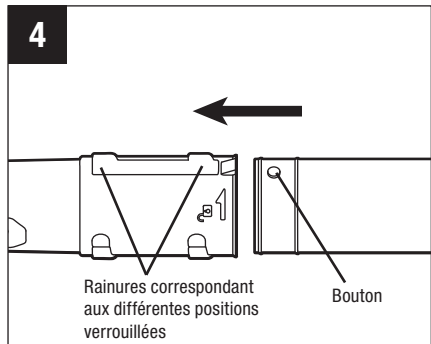
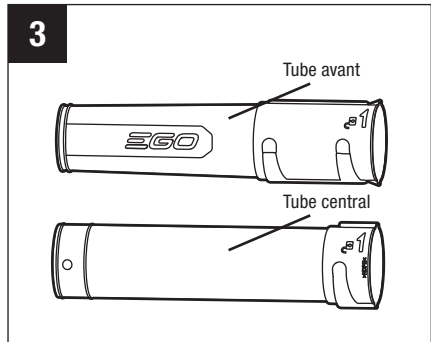
NOM DE LA PIÈCE	QUANTITÉ
Souffleur	1
Tube du souffleur	2
Guide d'utilisation	1

## ASSEMBLAGE DES TUBES DU SOUFFLEUR

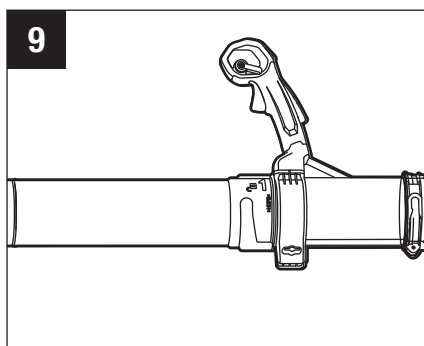
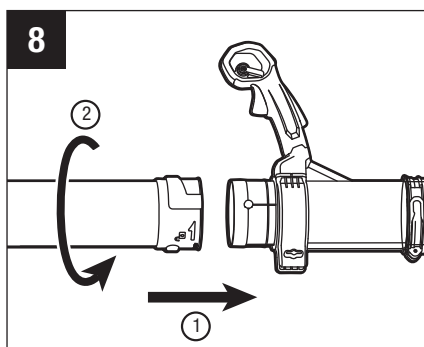
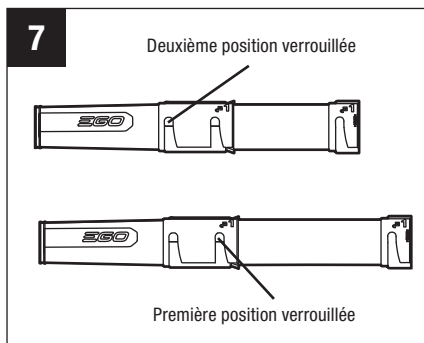
**⚠ AVERTISSEMENT:** Pour empêcher une mise en marche accidentelle pouvant causer des blessures graves, retirez toujours le bloc-pile de l'outil avant d'assembler des pièces.

1. Le souffleur possède deux tubes : un tube avant et un tube central (Fig. 3)
2. Tout d'abord, fixez le tube avant au tube central. Alignez l'une des rainures du tube avant au bouton situé sur le tube central (Fig. 4).
3. Poussez le tube central vers l'avant jusqu'à ce que le bouton s'enclenche dans l'une des rainures. Tournez ensuite le tube central dans la direction indiquée par la flèche jusqu'à ce que le bouton se trouve en position verrouillée (Fig. 5 et 6).

**AVIS:** Lorsque vous tournerez le tube central, avant que celui-ci ne se trouve en position verrouillée, vous remarquerez une butée intégrée qui présentera une certaine résistance. Continuez à tourner le tube au-delà de la butée, jusqu'à ce qu'il soit totalement enclenché en position verrouillée



4. Vous pouvez raccourcir ou allonger la longueur du tube selon votre préférence en verrouillant le tube central dans différentes positions (Fig. 7).
5. Fixez l'ensemble de tubes sur le boîtier du souffleur en procédant de la même manière (Fig. 8 et 9).
6. Pour retirer l'ensemble de tubes du boîtier du souffleur ou pour séparer les deux tubes, tournez d'abord le tube dans la direction permettant de le déverrouiller afin de dégager le loquet, puis tirez simplement sur le tube.



## FONCTIONNEMENT

**⚠ AVERTISSEMENT :** Ne laissez pas votre bonne connaissance du produit vous rendre négligent. N'oubliez pas qu'une fraction de seconde d'inattention suffit à occasionner des blessures graves.

**⚠ AVERTISSEMENT :** Portez systématiquement une protection oculaire avec écrans latéraux conforme à la norme ANSI Z87.1, ainsi qu'une protection auriculaire. Le non-respect de cette règle peut avoir pour conséquence la projection d'objets dans vos yeux et des risques de blessures graves.

**⚠ AVERTISSEMENT :** N'utilisez pas de pièces ou d'accessoires non recommandés par le fabricant de ce produit. L'utilisation de pièces ou d'accessoires non recommandés peut occasionner des blessures graves.

Avant chaque utilisation, inspectez l'intégralité du produit pour vérifier s'il y a des pièces endommagées, manquantes ou lâches, comme des vis, des boulons, des écrous, des capuchons, etc. Fixez fermement toutes les attaches et tous les capuchons et ne faites pas fonctionner ce produit avant que toutes les pièces manquantes ou endommagées aient été remplacées.

## UTILISATION

Vous pouvez utiliser ce produit pour les types de travaux listés ci-dessous :

- Déblayer les surfaces dures comme les entrées de cour et les trottoirs;
- Enlever les feuilles et les aiguilles de pin des terrasses et des entrées de cour.

## INSTALLATION ET RETRAIT DU BLOC-PILE

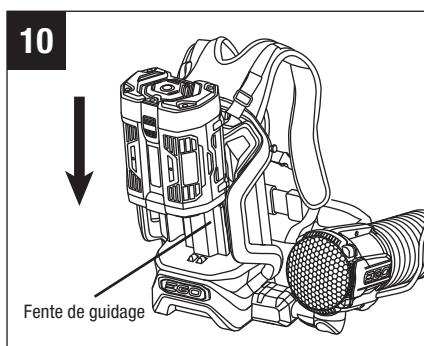
### CHARGEZ LE BLOC-PILE AVANT LA PREMIÈRE UTILISATION.

**REMARQUE:** Pour de meilleures performances, nous vous recommandons d'utiliser le bloc-pile ego ba2240 de 56 v (4 ah) ou tout bloc-pile ego de 56 v de capacité supérieure.

**⚠ AVERTISSEMENT:** Enlevez toujours le bloc-pile de l'outil lorsque vous assemblez des pièces, procédez à des ajustements ou à son nettoyage ou lorsque le produit n'est pas utilisé. Le retrait du bloc-pile permet de prévenir une mise en marche accidentelle pouvant occasionner des blessures graves.

### Installation du bloc-pile (Fig. 10)

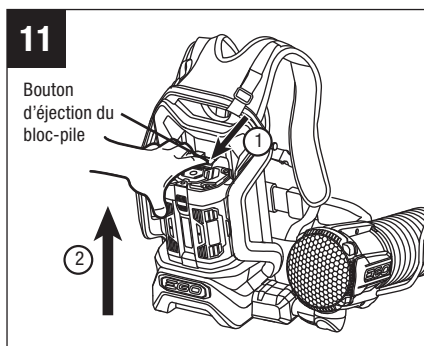
1. Alignez les nervures du bloc-pile sur les fentes de montage situées dans le boîtier du bloc-pile du souffleur.
2. Appuyez sur le bloc-pile pour le faire descendre jusqu'à ce qu'il s'enclenche.



### Retrait du bloc-pile (Fig. 11)

**⚠ AVERTISSEMENT:** Soyez toujours conscient de l'emplacement de vos pieds, de vos enfants et de vos animaux de compagnie lorsque vous appuyez sur le bouton d'éjection du bloc-pile. La chute du bloc-pile pourrait causer des blessures graves. Ne retirez JAMAIS le bloc-pile lorsque vous êtes en hauteur.

1. Pour libérer le bloc-pile du verrou, appuyez sur le bouton d'éjection du bloc-pile : le mécanisme d'éjection aidera au retrait de celui-ci.
2. Retirez le bloc-pile du souffleur.





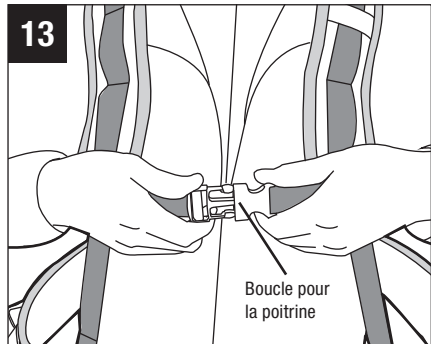
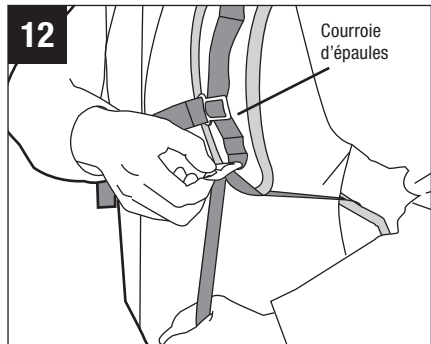
## POSITIONNEMENT DU SOUFFLEUR À HARNAIS

**⚠ AVERTISSEMENT:** Lorsque vous utilisez cet outil, habillez-vous convenablement pour réduire les risques de blessures. Ne portez pas de vêtements amples ni de bijoux qui peuvent s'accrocher. Portez des protections pour les yeux et les oreilles. Portez un pantalon long et épais, des bottes et des gants. Ne portez pas de pantalon court ni de sandales. N'utilisez pas l'outil lorsque vous êtes pieds nus.

Avant de mettre le souffleur à harnais, assurez-vous de porter des lunettes de sécurité et des vêtements appropriés, et d'avoir une posture sécuritaire et un bon équilibre.

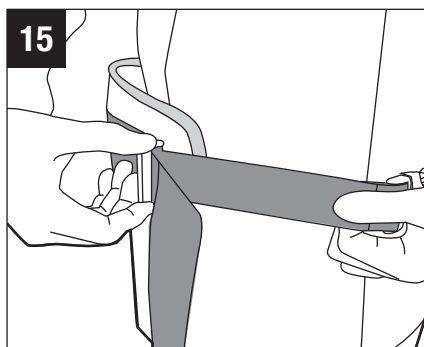
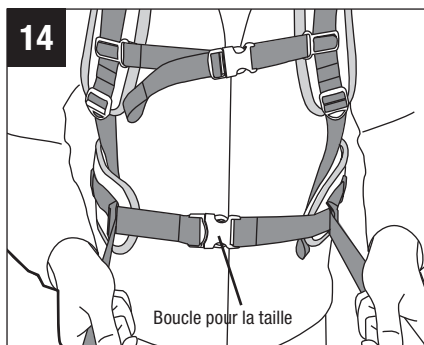
### Réglage du harnais de soutien

1. Passez vos bras dans les courroies du harnais pour mettre le souffleur sur votre dos.
2. Ajustez temporairement les courroies d'épaules (Fig. 12), d'une manière confortable, de façon à ce que le harnais ne vous gêne pas au niveau des coudes.
3. Attachez la boucle située sur la poitrine et ajustez sa longueur si nécessaire (Fig. 13).

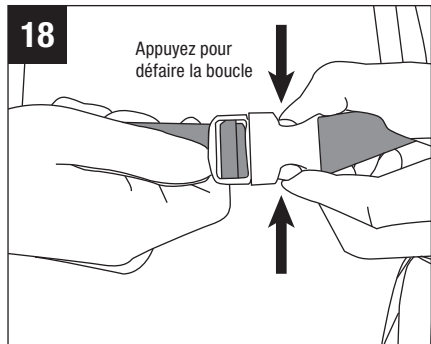
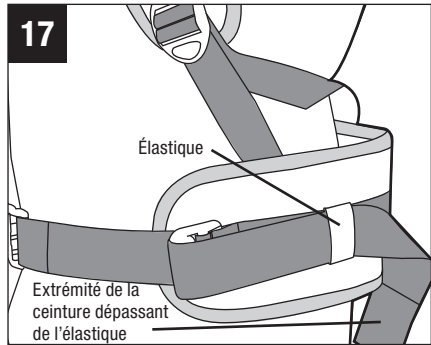
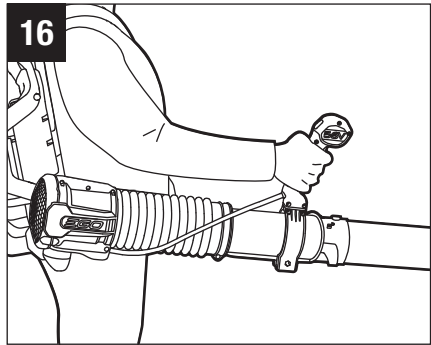


4. Attachez la boucle située au niveau de la taille et ajustez sa longueur de façon sécuritaire, c'est-à-dire de manière à ce que le poids du souffleur repose sur vos hanches (Fig. 14 et 15).

**AVIS:** Le souffleur ne doit pas être placé trop haut sur votre dos : il doit être placé plus près de vos hanches que de vos épaules

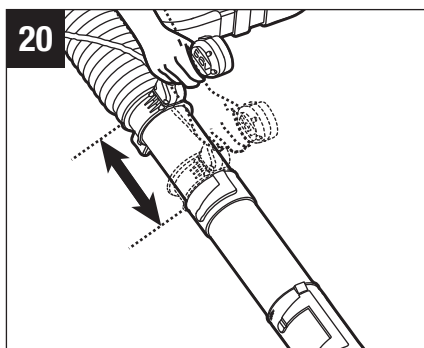
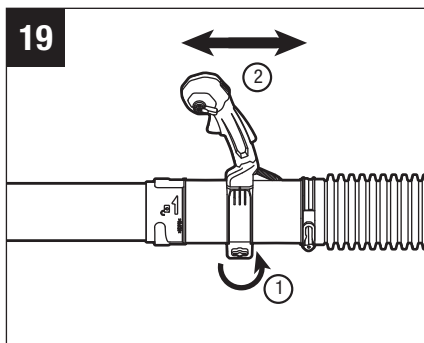


5. Réajustez les courroies d'épaules pour améliorer votre sécurité et votre confort. Assurez-vous que le souffleur est installé de façon sécuritaire sur votre dos, c'est-à-dire que son poids est supporté par la courroie située au niveau des hanches et qu'il ne bouge pas de façon excessive lorsque vous vous déplacez (Fig. 16).
6. Si les extrémités de la ceinture autour de votre taille sont trop longues, insérez-les dans les élastiques situés de chaque côté (Fig. 17).
7. Pour enlever le souffleur de votre dos, appuyez sur les boucles au niveau de votre taille et de votre poitrine pour les défaire (Fig. 18).

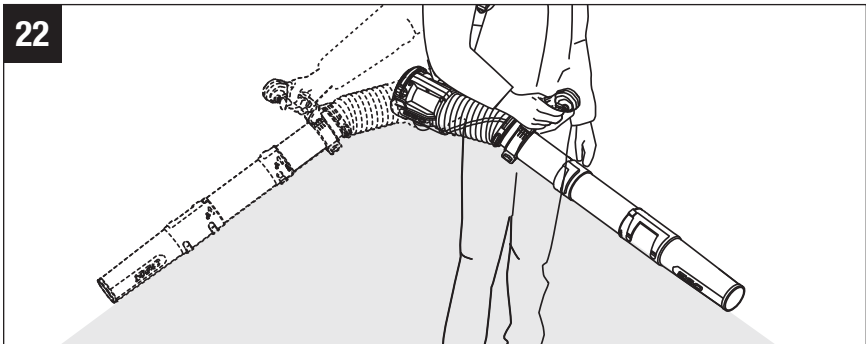
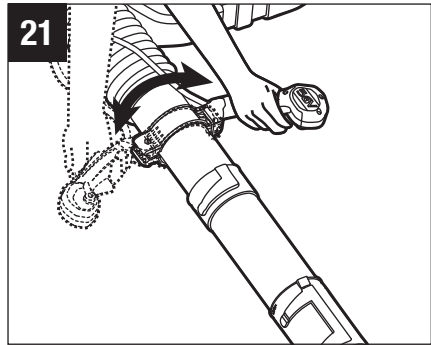


## Réglage de la poignée de contrôle

1. Dévissez l'écrou à oreilles pour déplacer la poignée vers l'avant ou vers l'arrière selon vos besoins (Fig. 19 et 20), puis resserrez-le afin de fixer la poignée en place.



2. Vous pouvez aussi faire tourner la poignée selon vos besoins pour améliorer votre confort (Fig. 21).
3. Pour élargir la zone à nettoyer, déplacez le tube vers la gauche ou vers la droite (Fig. 22).



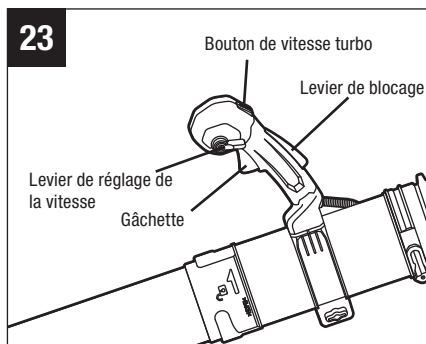
## DÉMARRAGE ET ARRÊT DU SOUFFLEUR (Fig. 23)

1. Pour démarrer le souffleur, maintenez le levier de blocage enfoncé lorsque vous appuyez sur la gâchette. Le souffleur se mettra en marche.
2. Pour arrêter le souffleur, relâchez la gâchette.

## RÉGLAGE DE LA VITESSE D'AIR (Fig. 23)

Le souffleur est équipé d'un régulateur de vitesse à variation continue qui permet de régler la vitesse d'air.

1. Pour augmenter la vitesse d'air, tirez le levier de réglage de la vitesse vers le bas lorsque le souffleur est en fonctionnement; pour la réduire, poussez-le vers le haut.
2. Pour augmenter la vitesse d'air au maximum, quelle que soit la position du levier de réglage de la vitesse, appuyez sur le bouton de vitesse turbo. Le souffleur reviendra à la vitesse sélectionnée précédemment lorsque vous relâcherez ce bouton



## CONSEILS POUR L'UTILISATION DU SOUFFLEUR

- Pour éviter d'éparpiller les débris, dirigez le souffleur vers les bords extérieurs du tas de débris. Ne visez jamais directement le centre du tas.
- Pour réduire le niveau sonore, utilisez le moins d'appareils possible en même temps.
- Dégagez les débris à l'aide d'un râteau ou d'un balai avant d'utiliser le souffleur. Si vous travaillez dans un environnement poussiéreux, humidifiez légèrement les surfaces avec de l'eau, si possible.
- Veillez à ne pas utiliser le souffleur à proximité d'enfants, d'animaux, de fenêtres ouvertes ou de voitures propres afin de travailler en toute sécurité.
- Une fois votre travail terminé, n'oubliez pas de nettoyer votre souffleur et vos autres outils. Jetez les débris de façon appropriée.

## ENTRETIEN

**⚠ AVERTISSEMENT:** Lors de l'entretien, utilisez seulement des pièces de rechange identiques aux pièces d'origine. L'utilisation de toute autre pièce peut endommager l'outil ou être source de danger. Pour en assurer la sûreté et la fiabilité, toute réparation doit être effectuée par un technicien qualifié.

**⚠ AVERTISSEMENT:** Pour éviter des blessures graves, retirez toujours le bloc-pile avant de procéder à l'entretien ou au nettoyage du souffleur.

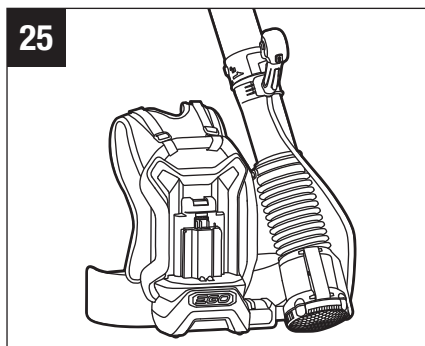
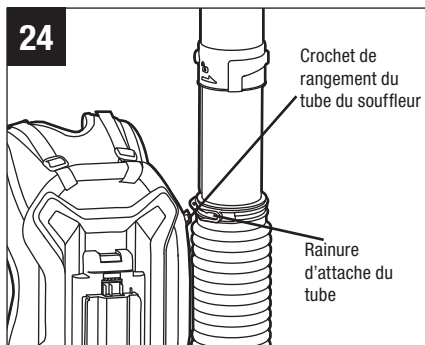
### ENTRETIEN GÉNÉRAL

Évitez d'utiliser des solvants lorsque vous nettoyez des pièces en plastique. La plupart des plastiques peuvent être endommagés par divers types de solvants commerciaux. Utilisez des linges propres pour enlever la saleté, la poussière, l'huile, la graisse, etc.

**⚠ AVERTISSEMENT:** Ne laissez jamais du liquide de frein, de l'essence, des produits à base de pétrole, etc., entrer en contact avec les pièces en plastique. Les produits chimiques peuvent endommager, affaiblir ou détruire le plastique et poser ainsi des risques de blessures graves.

### RANGEMENT

- Retirez le bloc-pile du souffleur.
- Enlevez tout corps étranger qui pourrait bloquer les entrées d'air du souffleur.
- Alignez le crochet de rangement du tube sur la rainure d'attache et accrochez le tube du souffleur sur le boîtier du compartiment à piles (Fig. 24 et 25).
- Rangez l'outil dans un endroit fermé inaccessible aux enfants. Gardez l'outil à distance de produits corrosifs, comme les produits chimiques pour le jardin ou le sel de déverglaçage.





# DÉPANNAGE

PROBLÈME	CAUSE	SOLUTION
Le souffleur ne fonctionne pas.	<ul style="list-style-type: none"> <li>■ Le bloc-pile n'est pas installé dans le souffleur.</li> <li>■ Il n'y a pas de contact électrique entre le souffleur et le bloc-pile.</li> <li>■ Le bloc-pile est déchargé.</li> <li>■ Le bloc-pile ou le souffleur est trop chaud.</li> </ul>	<ul style="list-style-type: none"> <li>■ Installez le bloc-pile dans le souffleur.</li> <li>■ Enlevez le bloc-pile, vérifiez les contacts et réinstallez le bloc-pile.</li> <li>■ Chargez le bloc-pile.</li> <li>■ Laissez le bloc-pile et le souffleur refroidir jusqu'à une température inférieure à 67 °C (152 °F). Pour des performances optimales, nous vous recommandons d'utiliser le bloc-pile de 56 V EGO BA2240 (4,0 Ah) ou n'importe quel bloc-pile de 56 V EGO avec une capacité plus élevée.</li> </ul>
La vitesse d'air est réduite de manière importante.	<ul style="list-style-type: none"> <li>■ Usure excessive du ventilateur du moteur.</li> <li>■ Des débris obstruent l'entrée d'air.</li> </ul>	<ul style="list-style-type: none"> <li>■ Communiquez avec le centre de services d'EGO pour faire réparer l'appareil.</li> <li>■ Retirez le bloc-pile du souffleur, puis enlevez les débris.</li> </ul>

# GARANTIE

## POLITIQUE D'EGO EN MATIÈRE DE GARANTIE

Garantie limitée de cinq ans pour l'équipement électrique d'extérieur EGO et de trois ans pour les chargeurs et blocs-piles EGO Power+.

**Veillez communiquer avec le service à la clientèle d'EGO au numéro sans frais 1 855 EGO-5656** pour toute question sur les réclamations au titre de la garantie.

## GARANTIE LIMITÉE D'ENTRETIEN

À compter de la date d'achat originale, ce produit EGO est garanti **PENDANT CINQ ANS** contre les défauts de matériaux et de fabrication. Les produits défectueux seront réparés gratuitement.

À compter de la date d'achat originale, le chargeur et le bloc-pile EGO Power+ sont garantis **PENDANT TROIS ANS** contre les défauts de matériaux et de fabrication. Les produits défectueux seront réparés gratuitement.

Cette garantie ne couvre pas le matériel et les pièces d'entretien régulier qui peuvent s'user avec une utilisation normale pendant la période de garantie.

- Cette garantie s'applique uniquement à l'acheteur initial s'étant procuré l'article chez un détaillant EGO autorisé et est non transférable. Les détaillants EGO autorisés sont identifiés en ligne sur le site <http://egopowerplus.com/pages/warranty-policy>.
- La période de garantie pour toute pièce ou tout produit EGO utilisé à des fins industrielles, professionnelles ou commerciales est de un an.
- Cette garantie n'est pas valide si le produit a été utilisé à des fins de location.
- Cette garantie ne couvre pas les dommages résultant d'une modification ou d'une réparation non autorisée.
- Cette garantie couvre uniquement les défauts survenant dans des conditions normales d'utilisation et ne couvre aucun dysfonctionnement ou défaut ni aucune défaillance découlant d'un usage inapproprié ou abusif (notamment la surcharge du produit et son immersion dans l'eau ou dans tout autre liquide), d'un accident, d'une négligence, d'une installation inadéquate et de tout entretien ou entreposage inadéquat.

- Cette garantie ne couvre pas la détérioration normale du fini extérieur, notamment les rayures, les bosselures, les craquelures de la peinture ou toute corrosion ou décoloration résultant de la chaleur, de produits abrasifs et de nettoyeurs chimiques.

## COMMENT OBTENIR DES SERVICES D'ENTRETIEN

Pour un entretien sous garantie, veuillez communiquer avec le service à la clientèle d'EGO au numéro sans frais **1 855 EGO 5656**. Lorsque vous demandez un entretien sous garantie, vous devez présenter le reçu de vente original. Un centre de service autorisé sera sélectionné pour la réparation du produit conformément aux conditions de garantie prescrites.

## RESTRICTIONS SUPPLÉMENTAIRES

Dans les limites prescrites par la législation locale, toutes les garanties implicites, notamment les garanties de QUALITÉ MARCHANDE ou d'ADÉQUATION POUR UN USAGE PARTICULIER, sont non valides. Toute garantie implicite, notamment les garanties de qualité marchande ou d'adéquation pour un usage particulier, qui ne peut être déclinée en vertu de la législation provinciale est limitée à cinq ans à compter de la date d'achat pour l'équipement électrique d'extérieur et à trois ans à compter de la date d'achat pour les chargeurs et blocs-piles.

Chervon North America n'est pas responsable des dommages accessoires, consécutifs, indirects ou directs.

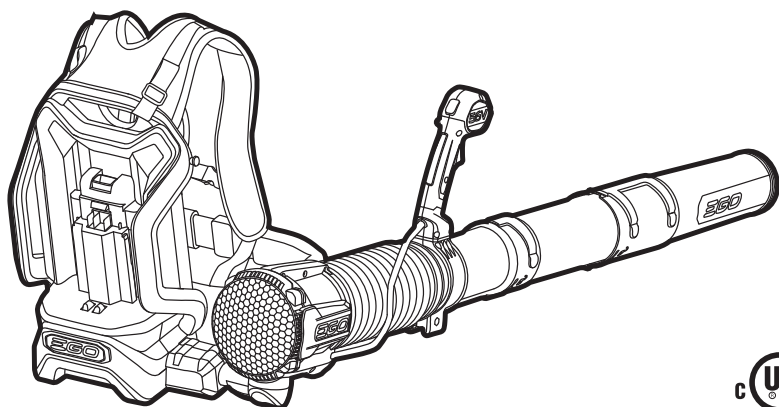
Certaines provinces n'autorisent pas les restrictions de durée de garantie implicite, ou l'exclusion ou la restriction des dommages consécutifs et accessoires, c'est pourquoi les restrictions ci-dessus peuvent ne pas s'appliquer à votre cas.

Cette garantie vous confère des droits précis. Il est possible que vous disposiez également d'autres droits, qui varient d'une province à l'autre.

Pour communiquer avec le service à la clientèle, composez le numéro sans frais **1 855 EGO-5656**, visitez **EGOPOWERPLUS.COM** ou écrivez à EGO Customer Service, 120 Ionia Street SW / Suite 102 Grand Rapids, MI 49503.

# EGO™

POWER<sup>+</sup> BLOWER



MANUAL DE FUNCIONAMIENTO

## SOPLADOR TIPO MOCHILA INALÁMBRICO DE LITIO-ION DE 56 VOLTIOS

MODELO NÚMERO LB6000

**Aviso:** La sopladora está hecha para el uso doméstico o comercial.

**⚠ ADVERTENCIA:** Para reducir el riesgo de lesiones, el usuario debe leer y comprender el Manual del usuario antes de usar este producto. Guarde estas instrucciones para referencia futura.

# ÍNDICE

Símbolos De Seguridad .....	63
Instrucciones Importantes De Seguridad .....	64-69
Especificaciones .....	70
Descripción .....	71-72
Ensamblaje .....	73-75
Funcionamiento .....	76-84
Mantenimiento .....	85
Solución De Problemas .....	86
Garantía .....	87-88

## LEA TODAS LAS INSTRUCCIONES



LEA Y COMPRENDA EL  
MANUAL DE INSTRUCCIONES

**⚠ ADVERTENCIA:** Parte del polvo producto del lijado, aserrado, esmerilado, taladrado y otras actividades de construcción contiene químicos reconocidos por el estado de California como causantes de cáncer, defectos congénitos u otros daños en el aparato reproductivo. Algunos ejemplos de estos químicos son:

- Plomo de pinturas a base de plomo.
- Sílice cristalina de ladrillos, cemento y otros productos de mampostería.
- Arsénico y cromo de maderas tratadas químicamente.

El riesgo por estas exposiciones varía según la frecuencia con la que realice este tipo de trabajo. Medidas para reducir la exposición a estos químicos: Trabaje en un área bien ventilada y con el equipo de seguridad aprobado, como mascarillas antipolvo especialmente diseñadas para filtrar partículas microscópicas.

# PAUTAS DE SEGURIDAD

## SÍMBOLOS DE SEGURIDAD

Estos símbolos de seguridad se utilizan para advertirle sobre los posibles peligros. Los símbolos de seguridad y las explicaciones que los acompañan merecen cuidadosa atención y comprensión. Por sí solos, los símbolos de advertencia no eliminan los peligros. Las instrucciones y advertencias que proporcionan no reemplazan a las medidas adecuadas de prevención de accidentes.

**⚠️ ADVERTENCIA:** Antes de utilizar esta herramienta, asegúrese de leer y comprender todas las instrucciones de seguridad en este Manual del usuario, incluidos todos los símbolos de alerta de seguridad como **“PELIGRO”**, **“ADVERTENCIA”** y **“PRECAUCIÓN”**. Si no se siguen todas las instrucciones que se indican a continuación, se pueden producir descargas eléctricas, incendios o lesiones personales graves.

## PREVENCIÓN DE DAÑOS Y MENSAJES DE INFORMACIÓN

Estos entregan al usuario información importante o instrucciones que, si no se siguen, podrían ocasionar daños al equipo o a la propiedad. Cada mensaje está precedido por la palabra **“AVISO”**, como en el siguiente ejemplo:

**AVISO:** Se pueden producir daños al equipo o a la propiedad si no se siguen estas instrucciones.



**⚠️ ADVERTENCIA:** El funcionamiento de cualquier herramienta eléctrica puede causar que se disparen objetos extraños hacia sus ojos, lo que puede resultar en daños graves en los ojos. Antes de comenzar a operar una herramienta eléctrica, use siempre gafas protectoras o anteojos de seguridad con protección lateral y un protector facial si es necesario. Le recomendamos usar una máscara de seguridad de visión amplia sobre anteojos o anteojos de seguridad estándar con protección lateral. Use siempre protección ocular con la marca de cumplimiento de la norma ANSI Z87.1.

# INSTRUCCIONES IMPORTANTES DE SEGURIDAD

Esta página presenta y describe los símbolos de seguridad que pueden aparecer en este producto. Lea, comprenda y siga todas las instrucciones que figuran en la máquina antes de intentar ensamblarla y operarla.

	<p>Alerta de seguridad</p>	<p>Precauciones que involucran su seguridad.</p>
	<p>Lea el Manual del usuario</p>	<p>Para reducir el riesgo de lesiones, el usuario debe leer y comprender el Manual del usuario antes de usar este producto.</p>
	<p>Cabello largo</p>	<p>No alejar el cabello largo de la entrada de aire podría provocar lesiones personales.</p>
	<p>Ropa holgada</p>	<p>No evitar que la ropa holgada sea atraída hacia la toma de aire podría tener como consecuencia lesiones personales.</p>
	<p>Protección ocular</p>	<p>Use siempre gafas protectoras o anteojos de seguridad con protección lateral y un protector facial al operar este producto.</p>
	<p>Mantenga alejados a los transeúntes</p>	<p>Mantenga a todos los transeúntes a al menos 15,24 m de distancia.</p>
	<p>Símbolos de reciclaje</p>	<p>Este producto usa baterías de iones de litio (litio-ión). Las leyes locales, estatales o federales pueden prohibir que las baterías se desechen junto con la basura normal. Consulte con la autoridad de residuos local para obtener información acerca de las opciones de reciclaje o de desecho disponibles.</p>



IPX4	Nivel de Protección del Ingreso	Protección contra salpicaduras de agua
V	Voltio	Voltaje
A	Amperios	Corriente
Hz	Hertz	Frecuencia (ciclos por segundo)
W	Vatio	Potencia
min	Minutos	Tiempo
m <sup>3</sup> /min.	metros cúbicos por minuto	Volumen de aire
Km/h	kilómetros por hora	Velocidad del aire
~	Corriente alterna	Tipo de corriente
≡	Corriente continua	Tipo o característica de la corriente
n <sub>0</sub>	Velocidad sin carga	Velocidad de rotación, sin carga
... /min.	Por minuto	Revoluciones por minuto

Cuando esta usando un electrodoméstico, las precauciones básicas siempre deben estar seguidas, incluso lo siguiente:

## LEA TODAS LAS INSTRUCCIONES ANTES DE USAR ESTE PRODUCTO.

**⚠ ADVERTENCIA:** Para garantizar la seguridad y fiabilidad, todas las reparaciones las debe realizar un técnico calificado.

**⚠ ADVERTENCIA:** Para reducir el riesgo de incendio, descargas eléctricas o lesiones:

- **Conozca el soplador eléctrico. Lea el Manual de instrucciones detalladamente. Aprenda las aplicaciones y las limitaciones del soplador, al igual que los peligros potenciales específicos relacionados con este soplador.** Si sigue esta regla, reducirá el riesgo de descargas eléctricas, incendio o lesiones graves.
- **No permita que se use el soplador como un juguete.** Se requiere suma atención cuando lo usan niños o se usa cerca de ellos.
- **Use solo como se describe en este manual. Use solo los aditamentos recomendados del fabricante.**
- **Si la sopladora no funciona como deba, se cayó, tiene daños, se deje al aire libre, o se cayó en agua, regresela al centro de servicio.**
- **No manipule el cargador, incluidos el enchufe o los terminales del cargador, con las manos húmedas.**
- **No introduzca ningún objeto en las aberturas. No use con ninguna abertura bloqueada; mantenga las aberturas libres de polvo, pelusas, cabello y cualquier objeto que reduzca el flujo de aire.**
- **Mantenga el cabello, la ropa holgada, los dedos y todas las partes del cuerpo alejadas de las aberturas y piezas móviles.** La ropa holgada, las joyas o el cabello largo pueden ser atraídos hacia las ventilaciones de aire.
- **Amárrese el cabello largo sobre el nivel de los hombros para evitar que se enrede en las piezas móviles.**
- **Tenga sumo cuidado al limpiar escaleras.**
- **No cargue el paquete de baterías en exteriores.**
- **Use solo el cargador que suministra el fabricante para recargar.**
- **No deje el soplador sin supervisión cuando la batería esté insertada.** Retire la batería cuando el soplador no esté en uso y antes de realizarle mantenimiento.
- **No opere sopladores en atmósferas explosivas, como en la presencia de líquidos, gases o polvo inflamables.** Los sopladores producen chispas que pueden encender el polvo o los gases.

- **Use el soplador a batería solo con el paquete de baterías específicamente diseñado.** El uso de cualquiera otra batería puede crear un riesgo de incendio.
- Use solo con los paquetes de baterías y los cargadores que se indican a continuación.

PAQUETES DE BATERÍAS	CARGADOR
BA1120, BA1400, BA2240	CH5500
BA2800, BA4200	CH2100

- **Manténgase alerta, concéntrese en lo que hace y use el sentido común al operar un soplador. No utilice el soplador si está cansado, enojado o bajo la influencia de las drogas, el alcohol o algún medicamento.** Un momento de falta de atención mientras opera un soplador puede provocar lesiones personales graves.
- **Evite los arranques accidentales. Asegúrese de que el interruptor esté en la posición de apagado o de bloqueo antes de insertar el paquete de baterías.** Transportar el soplador con el dedo en el interruptor o con el paquete de baterías insertado y el interruptor encendido puede provocar accidentes.
- **Use el equipo de manera segura. Use siempre lentes de protección.** Se deben usar mascarillas antipolvo, zapatos de seguridad antideslizantes, cascos duros o protección auditiva para las condiciones adecuadas.
- **No use en una escalera, tejado, árbol u otro soporte inestable.** Un punto de apoyo estable sobre una superficie sólida permite un mejor control del soplador en situaciones inesperadas.
- Siempre tenga cuidado con sus pies, los niños o las mascotas cuando retire el paquete de baterías del soplador. **Se podrían provocar lesiones graves si se cae el paquete de baterías. NUNCA retire el paquete de baterías cuando esté en una posición alta.**
- **No use el soplador si el interruptor no se enciende ni apaga.** Un soplador que no se puede controlar con el interruptor es peligroso y se debe reparar.
- **Desconecte el paquete de baterías del soplador antes de realizar ajustes, cambiar accesorios o almacenar el soplador.** Estas medidas preventivas de seguridad reducen el riesgo de arrancar accidentalmente el soplador.
- **Apague los controles antes de retirar la batería.**
- **NO** intente limpiar las obstrucciones de la unidad sin primero retirar la batería.

- **Compruebe que no haya desalineaciones ni obstáculos para las piezas móviles, que las piezas no estén rotas ni en ninguna otra condición que pueda afectar el funcionamiento del soplador. Si tiene daños, lleve el soplador para su mantenimiento antes de usarlo.** Muchos accidentes se producen debido a sopladores con mantenimiento deficiente.
- **Mantenga el soplador y su manija secos, limpios y libres de aceite y grasa.** Use siempre un paño limpio para limpiarlo. Nunca use líquido de frenos, gasolina, productos a base de petróleo ni ningún solvente fuerte para limpiar el soplador. Seguir esta regla reducirá el riesgo de pérdida de control y deterioro del plástico del compartimiento.
- **Use siempre anteojos de seguridad con protección lateral.** Los anteojos de uso diario solo cuentan con protección contra impactos. NO son anteojos de seguridad. Si sigue esta regla, reducirá el riesgo de lesiones oculares.
- **Siempre use protección ocular con protección lateral que cumpla con la norma ANSI Z87.1, junto con protección auditiva al operar este equipo.**
- **Proteja sus pulmones. Use una máscara o mascarilla antipolvo si el funcionamiento produce polvo.** Si sigue esta regla, reducirá el riesgo de lesiones personales graves.
- **Proteja su audición. Use protección auditiva durante períodos prolongados de funcionamiento.** Si sigue esta regla, reducirá el riesgo de lesiones personales graves.
- **Los sopladores a batería no necesitan estar conectados a un enchufe; por lo tanto, siempre se encuentran en condiciones de funcionar. Conozca los posibles peligros que existen cuando su soplador a baterías no está en uso o cuando cambia los accesorios.** Si sigue esta regla, reducirá el riesgo de descargas eléctricas, incendio o lesiones personales graves.
- **Use pantalones largos, mangas largas, botas y guantes gruesos.** Evite el vestuario holgado o joyas que pudiesen quedar atrapados en las piezas móviles de la máquina o su motor.
- **No opere el equipo descalzo o cuando use sandalias o calzado ligero similar.** Use calzado de protección que protegerá sus pies y mejorará su apoyo sobre superficies resbaladizas.
- **No incinere el electrodoméstico incluso si está muy dañado.** Las baterías pueden explotar en un incendio.
- **Las baterías pueden explotar en presencia de una fuente de ignición, como una llama piloto.** Para reducir el riesgo de lesiones personales graves, no use nunca ningún producto a batería en presencia de una llama expuesta. Una batería explotada puede liberar residuos y químicos. Si se ve expuesto a lo anterior, enjuáguese con agua inmediatamente.

- **Mantenga un punto de apoyo y equilibrio firmes. No se extienda demasiado,** ya que podría perder el equilibrio.
- **Revise el área de trabajo antes de cada uso.** Retire todos los objetos como rocas, vidrios rotos, clavos, alambres o cordeles que puedan ser arrojados por la máquina o quedar atrapados en ella.
- **No apunte el tubo del soplador en la dirección de las personas o de las mascotas.**
- **Nunca opere la unidad sin el equipo correcto conectado.** Asegúrese siempre de que el tubo del soplador esté instalado.
- **Cuando no esté en uso, el soplador debe guardarse en interiores en un lugar seco y seguro, fuera del alcance de los niños.**
- **Mantenga a los transeúntes, los niños y las mascotas a al menos 15,24 m de distancia.**
- **Solo el personal de reparaciones calificado debe realizar mantenimiento al soplador.** El servicio o el mantenimiento realizados por personal no calificado puede provocar riesgo de lesiones.
- **Al realizarle mantenimiento a un soplador, utilice solo piezas de repuesto idénticas.** Siga las instrucciones señaladas en la sección Mantenimiento de este manual. El uso de piezas no autorizadas o el incumplimiento de las instrucciones de mantenimiento puede generar un riesgo de descarga eléctrica o de lesiones.
- **Nunca use el soplador cerca del fuego o de cenizas calientes.** Su uso cerca del fuego o de cenizas calientes puede propagar el fuego y provocar lesiones graves o daños a la propiedad.
- **Nunca use el soplador para esparcir productos químicos, fertilizantes ni ninguna otra sustancia tóxica.** Esparcir estas sustancias podría provocar lesiones graves al operador o a los transeúntes.
- **Nunca coloque el soplador sobre una superficie, excepto que sea dura y esté limpia, cuando el motor esté en funcionamiento.** La gravilla, la arena y otros desechos pueden ingresar a la entrada de aire y ser arrojados hacia el operador o los transeúntes, lo que podría provocar lesiones graves.
- **Guarde estas instrucciones.** Consúltelas con frecuencia y úselas para instruir a otras personas que puedan usar esta herramienta. Si le presta esta herramienta a alguien, préstele también estas instrucciones para evitar el mal uso del producto y posibles lesiones.

**¡GUARDE ESTAS INSTRUCCIONES!**

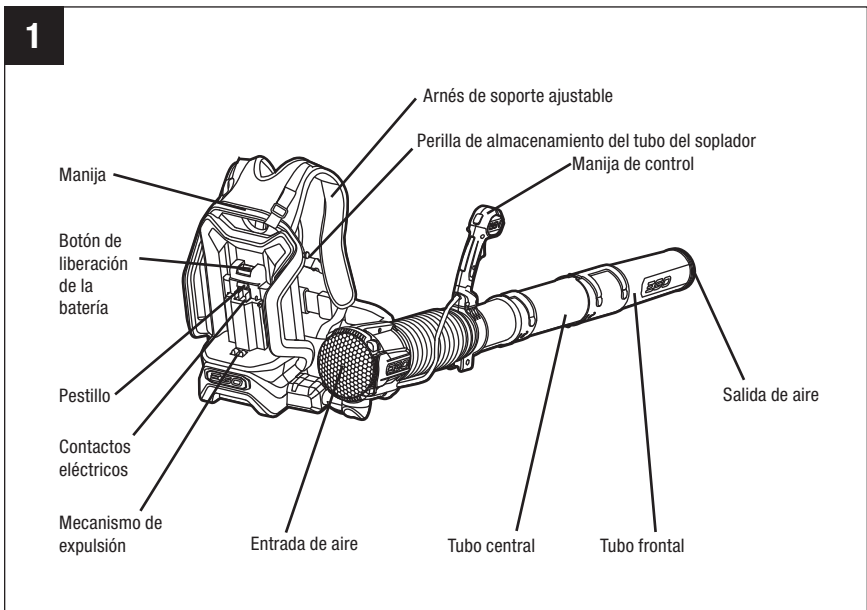
## ESPECIFICACIONES

Voltaje	56 V CC
Volumen de aire	Propulsión: 16,99 M <sup>3</sup> /MIN
	Alta: 14,16 M <sup>3</sup> /MIN
	Baja: 7,36 M <sup>3</sup> /MIN
Velocidad máxima de aire	233,35 km/h
Velocidad promedio de aire	Propulsión: 193,12 km/h
	Alta: 160,93 km/h
	Baja: 80,46 km/h
Tiempo de uso aproximado (con batería EGO BA2800 de 56 V 5,0 Ah)	15 min (propulsión)
	22 min (velocidad alta)
	120 min (velocidad baja)
Peso del soplador (sin paquete de baterías, con tubo)	5,7 kg (12,5 lb)

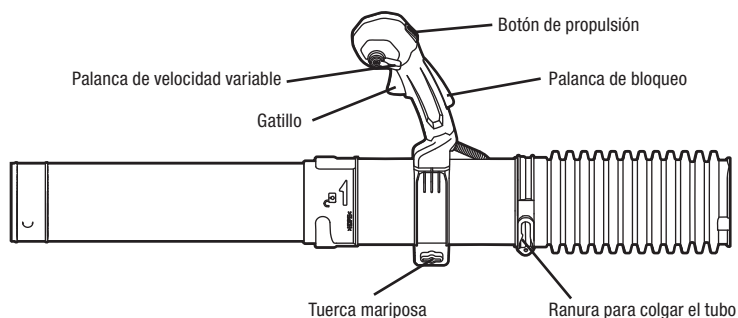
# DESCRIPCIÓN

## CONOZCA SU SOPLADOR (Fig. 1 y 2)

El uso seguro de este producto requiere de la comprensión de la información en la herramienta y en el manual del operador, además del conocimiento sobre el proyecto que intenta llevar a cabo. Antes de usar este producto, familiarícese con todas las características de operación y normas de seguridad.



2



<b>Gatillo</b>	Enciende o apaga el soplador.
<b>Palanca de bloqueo</b>	Ayuda a evitar la activación accidental o no autorizada del gatillo. La palanca se debe presionar antes de que el gatillo pueda activarse para arrancar el soplador.
<b>Palanca de velocidad variable</b>	Aumenta o reduce la velocidad del aire que genera el soplador.
<b>Botón de propulsión</b>	Aumenta temporalmente la velocidad del aire al máximo en cualquier configuración de velocidad.
<b>Botón de liberación de la batería</b>	Libera el paquete de baterías del soplador.
<b>Arnés de soporte ajustable</b>	Distribuye el peso de forma pareja en los hombros y la espalda, de esto modo se reduce la fatiga.
<b>Tuerca mariposa</b>	Facilita el ajuste de la manija de control hacia atrás o hacia delante.
<b>Perilla de almacenamiento del tubo del soplador y ranura para colgar el tubo</b>	Engancha la perilla de almacenamiento del tubo del soplador que se encuentra en la carcasa del compartimiento de la batería en la ranura para colgar el tubo que se encuentra en el tubo del soplador cuando este no está en uso.



## ENSAMBLAJE

**⚠ ADVERTENCIA:** Si faltan piezas o estas están dañadas, no opere este producto hasta reemplazar dichas piezas. El uso de este producto con piezas dañadas o faltantes podría provocar lesiones personales graves.

**⚠ ADVERTENCIA:** No intente modificar este producto ni crear accesorios que no estén recomendados para usar con este soplador. Cualquier alteración o modificación de ese tipo representa mal uso y puede generar condiciones peligrosas que causen posibles lesiones personales graves.

## DESEMBALAJE

- Retire con cuidado el producto y cualquier accesorio de la caja. Asegúrese de que todos los elementos que aparecen en la lista del paquete estén incluidos.

**⚠ ADVERTENCIA:** No use este producto si cualquiera de las piezas de esta lista del paquete ya está ensamblada al producto cuando lo desembale. El fabricante no ensambla las piezas de esta lista al producto y se requiere la instalación del cliente. El uso de un producto que se haya ensamblado de manera incorrecta podría provocar lesiones personales graves.

- Inspeccione la herramienta con cuidado para asegurarse de que no se rompieron o dañaron piezas durante el envío.
- No deseche el embalaje hasta que no haya inspeccionado cuidadosamente la herramienta y sepa que funciona correctamente.
- Si hay alguna pieza dañada o faltante, devuelva el producto al lugar donde lo compró.

## LISTA DE PIEZAS

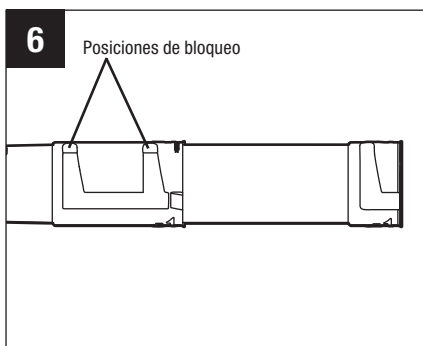
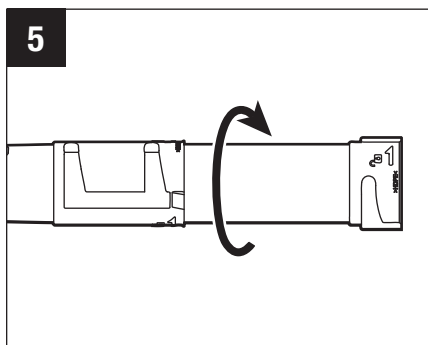
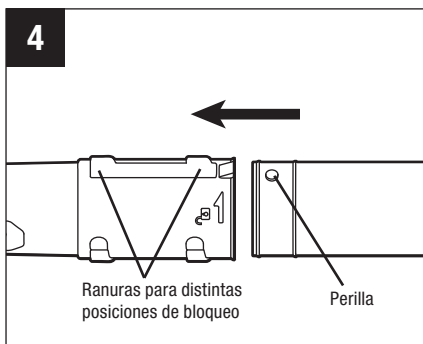
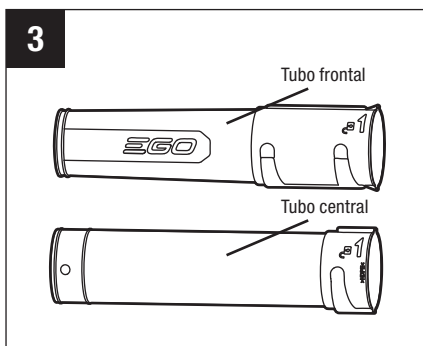
NOMBRE DE LA PIEZA	CANTIDAD
Soplador	1
Tubo del soplador	2
Manual de instrucciones	1

## ENSAMBLADO DE LOS TUBOS DEL SOPLADOR

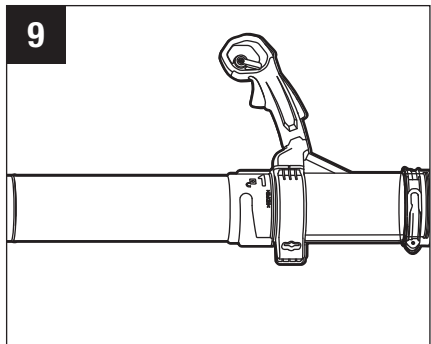
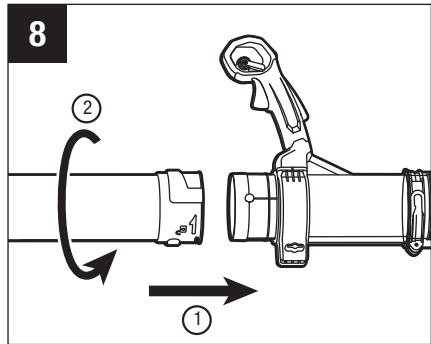
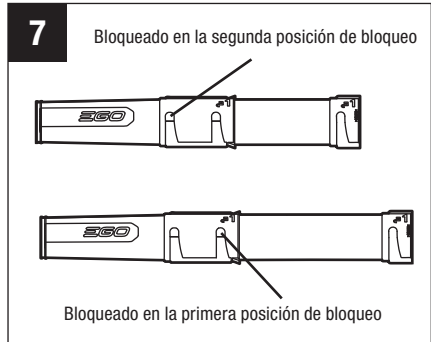
**⚠ ADVERTENCIA:** Para evitar un arranque accidental, que podría causar graves lesiones personales, siempre retire el paquete de baterías de la herramienta cuando esté ensamblando las piezas.

1. Existen dos tubos para el soplador: un tubo frontal y un tubo central (Fig. 3).
2. Primero, fije el tubo frontal al tubo central. Alinee cualquiera de las ranuras del tubo frontal con la perilla del tubo central (Fig. 4).
3. Empuje el tubo central hacia delante hasta que la perilla entre en cualquiera de las ranuras. Luego, gire el tubo central en dirección a la flecha hasta que la perilla se deslice hacia la posición de bloqueo (Fig. 5 y 6).

**AVISO:** Antes de asegurar el tubo central en su lugar durante la rotación, notará un tope incorporado que creará algún tipo de resistencia. Siga girando el tubo después del tope hasta que se deslice por completo hacia la posición de bloqueo.



4. Para acortar o alargar el tubo según su preferencia, asegure el tubo central en distintas posiciones de bloqueo (Fig. 7).
5. Fije el ensamble del tubo en la carcasa del soplador de la misma forma (Fig. 8 y 9).
6. Para retirar el ensamble del tubo de la carcasa del soplador o para separar los dos tubos, primero, gire el tubo en dirección hacia el desbloqueo para desenganchar el pestillo y, luego, jale el tubo hacia afuera.



## FUNCIONAMIENTO

**⚠ ADVERTENCIA:** No permita que el conocimiento de este producto lo vuelva imprudente. Recuerde que un descuido de una fracción de segundo es suficiente para ocasionar lesiones graves.

**⚠ ADVERTENCIA:** Siempre use protección ocular con protección lateral que cumpla con la norma ANSI Z87.1, junto con protección auditiva. De lo contrario, podría provocar que se disparen objetos hacia sus ojos y otras posibles lesiones graves.

**⚠ ADVERTENCIA:** No use ningún aditamento o accesorio no recomendado por el fabricante de este producto, ya que esto podría provocar lesiones personales graves.

Antes de cada uso, inspeccione todo el producto en busca de piezas dañadas, faltantes o sueltas, como tornillos, tuercas, pernos, tapas, etc. Apriete bien todos los sujetadores y tapas, y no opere este producto hasta que se hayan reemplazado todas las piezas faltantes o dañadas.

## APLICACIÓN

Puede usar este producto para los fines que se indican a continuación:

- Despejar superficies duras como entradas de garaje y senderos
- Mantener terrazas y entradas de garaje libres de hojas y agujas de pinos

## PARA INSTALAR O RETIRAR EL PAQUETE DE BATERÍAS

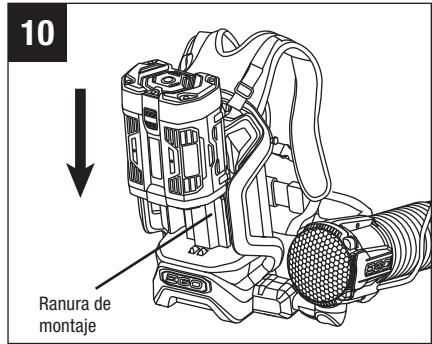
### CARGUE EL PAQUETE DE BATERÍAS ANTES DEL PRIMER USO.

**NOTA:** Para obtener un mejor rendimiento, recomendamos el uso de la batería EGO BA2240 de 56 V (4,0 Ah) o cualquier batería EGO de 56 V con mayor capacidad.

**⚠ ADVERTENCIA:** Siempre retire el paquete de baterías del producto cuando no esté en uso o cuando esté ensamblando las piezas, realizando ajustes o limpiándolo. La extracción del paquete de baterías evitará que se produzca un arranque accidental, lo que podría causar graves lesiones personales.

### PARA INSTALAR LA BATERÍA (Fig. 10)

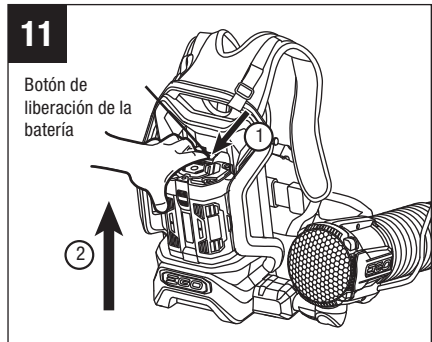
1. Alinee las varillas del paquete de baterías con las ranuras de montaje de baterías en el compartimiento de la batería del soplador.
2. Presione el paquete de baterías hacia abajo hasta que calce en su posición.



### Para retirar la batería (Fig. 11)

**⚠ ADVERTENCIA:** Siempre asegúrese de fijarse la ubicación de los pies, de los niños o de las mascotas cuando presione el botón de liberación de la batería. Si el paquete de baterías se cae, podría provocar lesiones graves. NUNCA retire el paquete de baterías cuando esté en un lugar alto.

1. Presione el botón de liberación de la batería; el paquete de baterías se desenganchará del pestillo y el mecanismo de expulsión lo ayudará a retirarlo.
2. Retire el paquete de baterías del soplador.



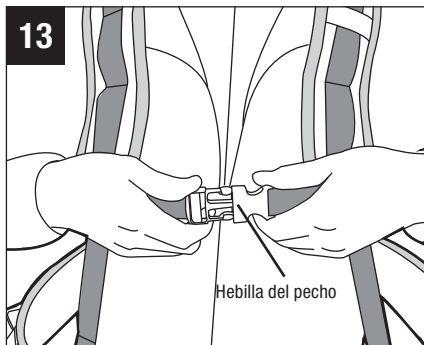
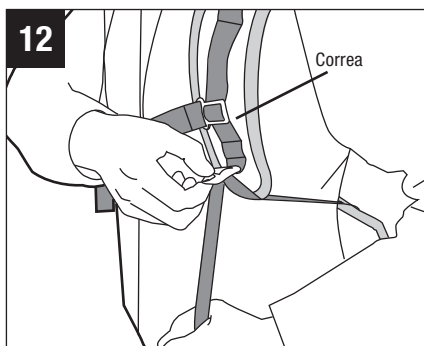
## COLOCACIÓN DEL SOPLADOR TIPO MOCHILA

**⚠ ADVERTENCIA:** Use ropa adecuada para reducir el riesgo de lesiones cuando opere esta herramienta. No use ropa holgada ni joyas. Use protección para los ojos y las orejas. Use pantalones largos y pesados, botas y guantes. No use pantalones cortos ni sandalias, ni tenga los pies descalzos.

Antes de usar el soplador tipo mochila, asegúrese de que el operador esté usando lentes de protección y ropa adecuada y de que pueda mantener una posición segura y equilibrada.

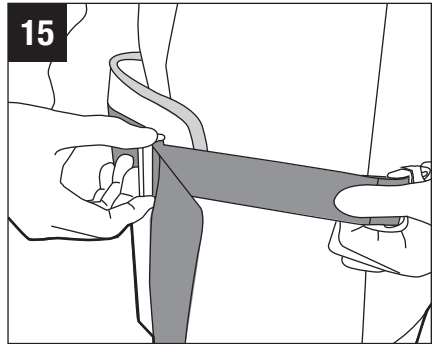
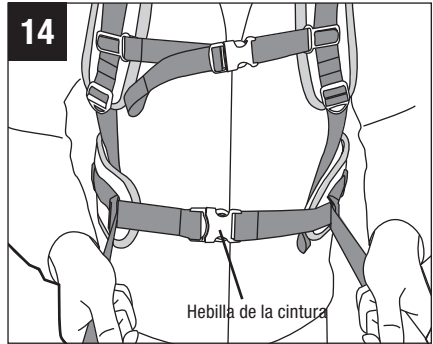
### Para regular el arnés de soporte

1. Coloque los brazos alrededor de las correas de la mochila para sostener el soplador en la espalda.
2. Regule temporalmente ambas correas para tener una posición cómoda (Fig. 12) y asegúrese de que el codo esté cómodo.
3. Jale la hebilla del pecho y regule el largo si es necesario (Fig. 13).

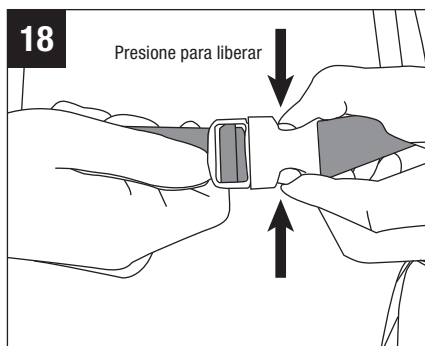
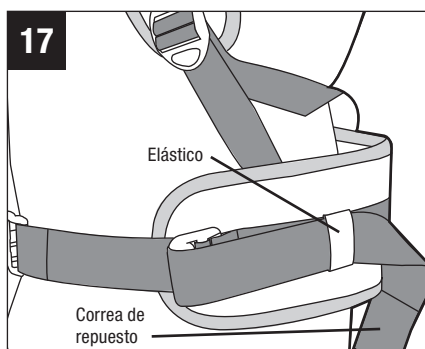
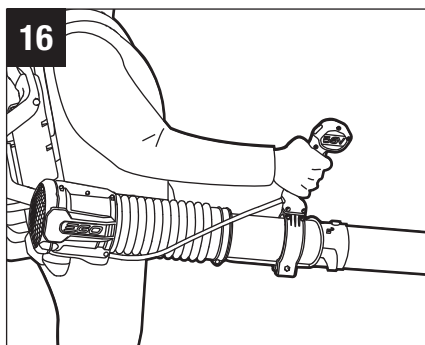


4. Jale la hebilla de la cintura y regule el largo para sostener firmemente la mochila en la cadera (Fig. 14 y 15).

**AVISO:** La mochila no debe estar muy alta en la espalda, sino más cerca de la cadera que de los hombros.



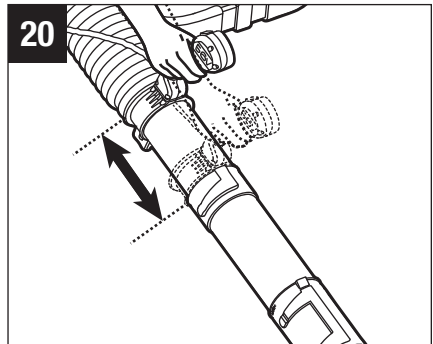
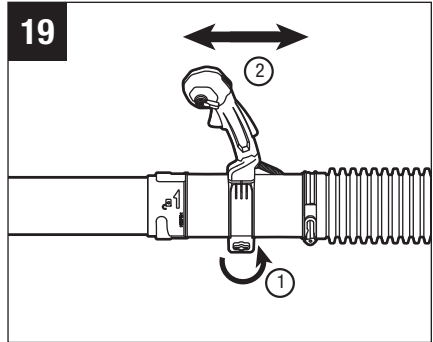
5. Vuelva a regular las correas para mayor seguridad y comodidad. Asegúrese de que la mochila esté firme en la espalda, de que la correa de la cintura soporte el peso y de que no haya exceso de movimiento cuando usted se mueva (Fig. 16).
6. Inserte toda correa adicional alrededor de la cintura en el elástico de ambos lados (Fig. 17).
7. Para retirarse la herramienta de la espalda, solo debe presionar las hebillas de la cintura y del pecho para aflojarlas y bajar la herramienta (Fig. 18).



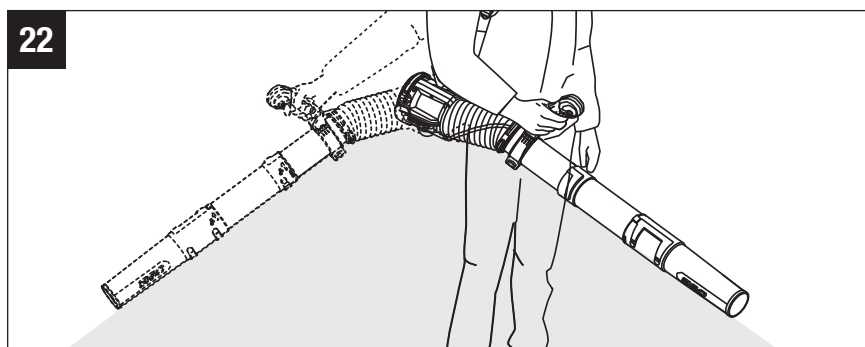
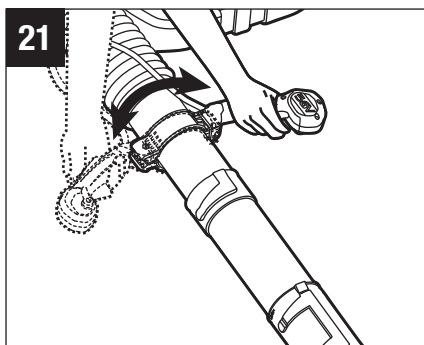


## Para regular la manija de control

1. Afloje la tuerca mariposa para regular la manija hacia delante o hacia atrás según sea necesario (Fig. 19 y 20) y, luego, apriete la tuerca mariposa para asegurar la posición de la manija.



2. También puede girar la manija según sea necesario para obtener mayor comodidad (Fig. 21).
3. Para agrandar el área de limpieza, mueva el tubo hacia la izquierda o hacia la derecha (Fig. 22).



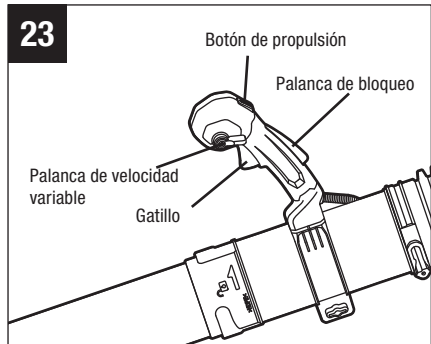
## ENCENDIDO/APAGADO DEL SOPLADOR (Fig. 23)

1. Para encender el soplador, presione hacia abajo la palanca de bloqueo y sosténgala. Luego, presione el gatillo. El soplador comenzará a funcionar.
2. Para apagar el soplador, suelte el gatillo.

## REGULACIÓN DE LA VELOCIDAD DE AIRE (Fig. 23)

El soplador cuenta con una regulación de velocidad continua para controlar la velocidad de aire.

1. Para aumentar la velocidad de aire, jale la palanca de velocidad variable hacia abajo cuando el soplador esté en funcionamiento. Para disminuir la velocidad de aire, presione la perilla hacia arriba.
2. Para aumentar la velocidad de aire en cualquier configuración, presione el botón de propulsión para aumentar la velocidad de aire al máximo. El soplador volverá a la velocidad seleccionada previamente cuando suelte el botón.



## **CONSEJOS PARA UTILIZAR EL SOPLADOR**

- Para protegerlo de los desechos dispersos, sople por alrededor de los bordes de los desechos acumulados. Nunca sople directamente en el centro de la acumulación.
- Para reducir los niveles de ruido, limite el número de piezas del equipo utilizadas en cualquier momento dado.
- Use rastrillos y escobas para aflojar los residuos antes del soplado. En caso de lugares polvorientos, humedezca levemente las superficies si hay agua disponible.
- Vigile a los niños, las mascotas, las ventanas abiertas o los autos recién lavados y sople los residuos lejos de manera segura.
- Después de utilizar sopladores u otros equipos, ¡limpie! Elimine los desechos de manera adecuada.

## MANTENIMIENTO

**⚠ ADVERTENCIA:** Al realizar mantenimiento, utilice solo piezas de repuesto idénticas a las de fabricación. El uso de cualquier otra pieza puede crear un peligro o causar daños en el producto. Para garantizar la seguridad y confiabilidad, toda reparación debe ser realizada solo por un técnico de reparación calificado.

**⚠ ADVERTENCIA:** Para evitar lesiones personales graves, siempre retire el paquete de baterías del soplador antes de limpiarlo o realizarle cualquier tarea de mantenimiento.

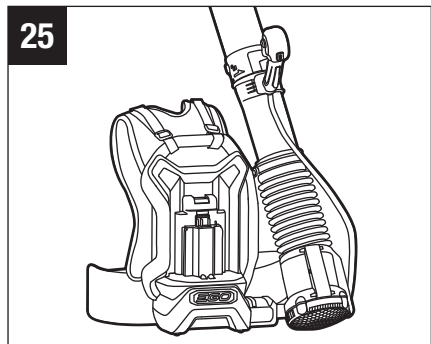
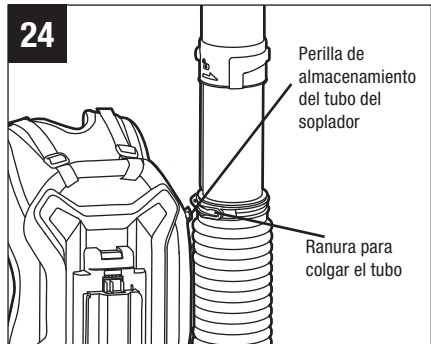
### MANTENIMIENTO GENERAL

Evite utilizar solventes para limpiar las piezas de plástico. La mayoría de los plásticos tienden a dañarse con los distintos tipos de solventes comerciales. Utilice paños limpios para eliminar la suciedad, el polvo, el aceite, la grasa, etc.

**⚠ ADVERTENCIA:** Nunca deje que el líquido de frenos, la gasolina, los productos a base de petróleo, los aceites penetrantes, etc. entren en contacto con las piezas plásticas. Los químicos pueden dañar, debilitar o destruir el plástico, lo que puede causar lesiones personales graves.

### ALMACENAMIENTO

- Retire el paquete de baterías del soplador.
- Limpie todo el material extraño de las entradas de aire del soplador.
- Alinee la perilla de almacenamiento del tubo del soplador con la ranura para colgar el tubo y enganche el tubo del soplador en la carcasa del compartimiento de la batería (Fig. 24 y 25).
- Almacene en espacios cerrados que no sean accesibles para los niños. Mantenga alejado de agentes corrosivos, como químicos de jardín y sales descongelantes.



## SOLUCIÓN DE PROBLEMAS

PROBLEMA	CAUSA	SOLUCIÓN
El soplador no funciona.	<ul style="list-style-type: none"><li>■ El paquete de baterías no está instalado en el soplador.</li><li>■ No hay contacto eléctrico entre el soplador y la batería.</li><li>■ El paquete de baterías está agotado.</li><li>■ El paquete de baterías o el soplador están muy calientes.</li></ul>	<ul style="list-style-type: none"><li>■ Coloque el paquete de baterías en el soplador.</li><li>■ Retire la batería, revise los contactos y vuelva a instalar el paquete de baterías.</li><li>■ Cargue el paquete de baterías.</li><li>■ Deje enfriar el paquete de baterías y el soplador hasta que la temperatura descienda por debajo de los 66,7 °C (152 °F). Para un mejor rendimiento, se recomienda el uso de la batería EGO 56 V BA2240 (4,0 Ah) o cualquier batería de 56 V EGO con mayor capacidad.</li></ul>
La velocidad de aire se reduce notablemente.	<ul style="list-style-type: none"><li>■ Desgaste excesivo del ventilador del motor.</li><li>■ La entrada del aire es bloqueada con los escombros.</li></ul>	<ul style="list-style-type: none"><li>■ Contacte al centro servicio EGO para reparación.</li><li>■ Quite el paquete de batería, desobstruya los escombros.</li></ul>

# GARANTÍA

## POLÍTICA DE GARANTÍA DE EGO

Garantía limitada de 5 años para el equipo electromecánico para exteriores EGO y garantía limitada de 3 años para los cargadores y las baterías del Sistema EGO Power+.

**Póngase en contacto con Servicio al Cliente de EGO de manera gratuita al 1-855-EGO-5656** cuando tenga preguntas o reclamaciones de garantía.

## GARANTÍA LIMITADA DE SERVICIO

Este producto EGO está garantizado contra defectos en los materiales y la mano de obra POR CINCO AÑOS desde la fecha de su compra original. El producto defectuoso se reparará de manera gratuita.

El cargador y el paquete de baterías del Sistema EGO Power+ están garantizados contra defectos en los materiales y la mano de obra POR TRES AÑOS desde la fecha de su compra original. El producto defectuoso se reparará de manera gratuita.

Esta garantía no cubre piezas de mantenimiento de rutina ni elementos consumibles que pueden desgastarse debido al uso normal dentro del período de garantía.

- Esta garantía se aplica solo al comprador original del distribuidor minorista autorizado de EGO y podría no ser transferible. Los distribuidores minoristas autorizados de EGO se identifican en línea, en <http://egopowerplus.com/pages/warranty-policy>.
- El periodo de garantía para cualquier pieza o producto EGO para propósitos industriales, profesionales o comerciales es de un año.
- Esta garantía queda nula si el producto se ha usado para propósitos de alquiler.
- Esta garantía no cubre daños producto de modificaciones, alteraciones o reparaciones no autorizadas.
- Esta garantía solo cubre defectos en condiciones de uso normales y no cubre fallas, mal funcionamiento o defectos del producto por uso indebido, abuso (incluida la sobrecarga del producto por encima de su capacidad y la exposición de forma directa al agua o lluvia), accidentes, negligencia o falta de instalación correcta, y almacenaje o mantenimiento inadecuados.

- Esta garantía no cubre el deterioro normal del acabado exterior, incluidos, entre otros, rayones, abolladuras, trozos de pintura o cualquier corrosión o decoloración producida por el calor, limpiadores químicos y abrasivos.

## CÓMO OBTENER EL SERVICIO

Para obtener el servicio de garantía, póngase en contacto con Servicio al Cliente de EGO de manera gratuita al **1-855-EGO-5656**. Cuando solicite el servicio de garantía, debe presentar el recibo de compra original con fecha. Se seleccionará un centro de servicio autorizado para reparar el producto de acuerdo con los términos de la garantía estipulados.

## LIMITACIONES ADICIONALES

En la medida en que lo permita la ley aplicable, se rechazan todas las garantías implícitas, incluidas las garantías de COMERCIALIZADIDAD o IDONEIDAD PARA UN FIN EN PARTICULAR. Cualquier garantía implícita, incluidas las garantías de comerciabilidad o idoneidad para cualquier fin en particular, que no pueda ser rechazada según la ley estatal está limitada a cinco años desde la fecha de compra para el equipo electromecánico para exteriores y tres años desde la fecha de compra para el cargador y las baterías.

Chervon North America no se hará responsable por daños directos, indirectos, accidentales o resultantes.

Algunos estados no permiten limitaciones con respecto a la duración de una garantía implícita y/o no permiten la exclusión o limitación de daños accidentales o resultantes, de modo que las limitaciones antes descritas podrían no aplicarse en su caso.

Esta garantía le otorga derechos legales específicos, pero podría tener también otros derechos que varían según el estado.

Para obtener el servicio al cliente, póngase en contacto con nosotros de manera gratuita al: **1-855-EGO-5656** o escríbanos a **EGOPOWERPLUS.COM**  
EGO Customer Service, 120 Ionia Street SW / Suite 102 Grand Rapids, MI 49503