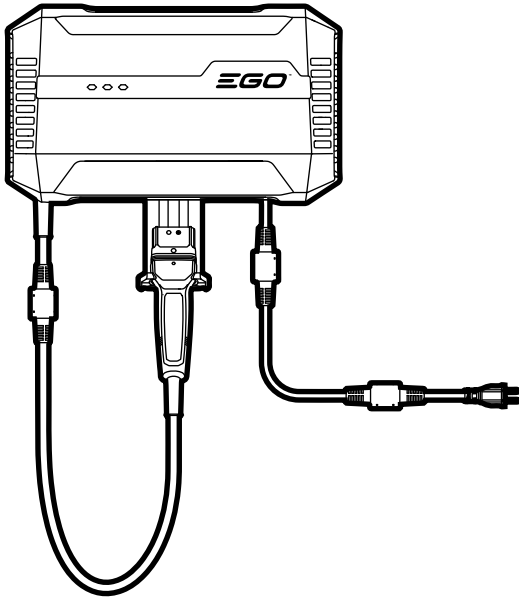


EGO™

POWER  CHARGER



OPERATOR'S MANUAL

56-VOLT ELECTRIC ZERO TURN MOWER 1600W CHARGER

MODEL NUMBER CHV1600/CHV1600-FC

Français p. 23

Español p. 47

⚠ WARNING: To reduce the risk of injury, the user must read and understand the Operator's Manual before using this product. Save these instructions for future reference.



TABLE OF CONTENTS

FCC Statement	3
Safety Symbols	4
Safety Instructions	5-10
Introduction	11
Specifications	12
Description	13
Operation	14-17
Maintenance	18
Troubleshooting	19-20
Warranty	21-22

READ ALL INSTRUCTIONS!



READ & UNDERSTAND
OPERATOR'S MANUAL

This battery charger has many features for making its use more pleasant and enjoyable. Safety, performance, and dependability have been given top priority in the design of this product making it easy to maintain and operate.

FCC STATEMENT

1. This device complies with Part 15 of the FCC Rules. Operation is subject to the following two conditions:
 - 1) This device may not cause harmful interference.
 - 2) This device must accept any interference received, including interference that may cause undesired operation.
2. Changes or modifications not expressly approved by the party responsible for compliance could void the user's authority to operate the equipment.

NOTICE: This equipment has been tested and found to comply with the limits for a Class B digital device, pursuant to Part 15 of the FCC Rules. These limits are designed to provide reasonable protection against harmful interference in a residential installation. This equipment generates, uses, and can radiate radio frequency energy and, if not installed and used in accordance with the instructions, may cause harmful interference to radio communications. However, there is no guarantee that interference will not occur in a particular installation. If this equipment does cause harmful interference to radio or television reception, which can be determined by turning the equipment off and on, the user is encouraged to try to correct the interference by one or more of the following measures: Reorient or relocate the receiving antenna. Increase the separation between the equipment and receiver. Connect the equipment into an outlet on a circuit different from that to which the receiver is connected. Consult the dealer or an experienced radio/TV technician for help.

SAFETY SYMBOLS

The purpose of safety symbols is to attract your attention to possible dangers. The safety symbols and the explanations with them deserve your careful attention and understanding. The symbol warnings do not, by themselves, eliminate any danger. The instructions and warnings they give are no substitutes for proper accident prevention measures.

⚠ WARNING: Be sure to read and understand all safety instructions in this Operator's Manual, including all safety alert symbols such as "**DANGER**," "**WARNING**," and "**CAUTION**" before using this tool. Failure to following all instructions listed below may result in electric shock, fire, and/or serious personal injury.








⚠ WARNING: The operation of any power tools can result in foreign objects being thrown into your eyes, which can result in severe eye damage. Before beginning power tool operation, always wear safety goggles or safety glasses with side shields and a full face shield when needed. We recommend a Wide Vision Safety Mask

for use over eyeglasses or standard safety glasses with side shields. Always use eye protection which is marked to comply with ANSI Z87.1.

SAFETY INSTRUCTIONS

This page depicts and describes safety symbols that may appear on this product. Read, understand, and follow all instructions on the machine before attempting to assemble and operate.

	Safety Alert	Indicates a potential personal injury hazard.
	Read & Understand Operator's Manual	To reduce the risk of injury, user must read and understand the operator's manual before using this product.
	Eye Protection	Always wear safety goggles or safety glasses with side shields and a full face shield when operating this product.
	Class II Construction	Double-insulated construction
	Wet Conditions Alert	Do not expose to rain or use in damp locations.
V	Volt	Voltage
A	Amperes	Current
min	Minutes	Time

~	Alternating Current	Type or a characteristic of current
≡	Direct Current	Type or a characteristic of current
Hz	Hertz	Frequency (cycles per second)
W	Watt	Power
lb	Pound	Weight
kg	Kilogram	Weight
°F	Fahrenheit temperature	Temperature
°C	Celsius temperature	Temperature

⚠ WARNING: Read and understand all instructions. Failure to follow all instructions listed below may result in electric shock, fire and/or serious personal injury. The term “power tool” in all of warnings listed below refers to corded power tools or battery operated (cordless) power tools.

⚠ WARNING: To ensure safety and reliability, all repairs should be performed by a qualified service technician.

WORK AREA SAFETY

- **Keep the work area clean and well lit.** Cluttered or dark areas invite accidents.
- **Do not operate power tools in explosive environments, such as in the presence of flammable liquids, gases, or dust.** Power tools create sparks, which may ignite the dust or fumes.

ELECTRICAL SAFETY

- **Avoid body contact with grounded surfaces,** such as pipes, radiators, ranges, and refrigerators. There is an increased risk of electric shock if your body is grounded.
- **Power tool plugs must match the outlet.** Never modify the plug in any way. Do not use any adapter plugs with grounded power tools. Unmodified plugs and matching outlets will reduce the risk of electric shock.
- **Do not expose power tools to rain or wet conditions.** Water entering a power tool will increase the risk of electric shock.
- **Do not abuse the cord. Never use the cord for carrying, pulling, or unplugging the power tool. Keep the cord away from heat, oil, sharp edges, or moving parts.** Damaged or entangled cords increase the risk of electric shock.
- **When operating a power tool outdoors, use an extension cord suitable for outdoor use.** Use of a cord suitable for outdoor use reduces the risk of electric shock.
- **This charger can only work with EGO ELECTRIC ZERO TURN MOWER ZT4200L/ZT4200L-FC to charge the EGO battery packs list below:**

CHARGER	BATTERY PACKS
CHV1600, CHV1600-FC	BA1400, BA1400-FC: 56V 2.5Ah Lithium-ion BA2800, BA2800-FC: 56V 5.0Ah Lithium-ion BA4200, BA4200-FC: 56V 7.5Ah Lithium-ion BA1400T, BA1400T-FC: 56V 2.5Ah Lithium-ion BA2800T, BA2800T-FC: 56V 5Ah Lithium-ion BA4200T, BA4200T-FC: 56V 7.5Ah Lithium-ion BA5600T/BA5600T-FC: 56V 10Ah Lithium-ion

SERVICE

- **Have your charger serviced by a qualified repair person using only identical replacement parts.** This will ensure that the safety of the charger is maintained.

- **When servicing a charger, use only identical replacement parts. Follow instructions in the Maintenance section of this manual.** Use of unauthorized parts or failure to follow Maintenance instructions may create a risk of shock or injury.

SAFETY INSTRUCTIONS FOR CHARGER

⚠ CAUTION: To reduce the risk of electric shock or damage to the charger and battery, charge only those lithium-ion rechargeable batteries specifically designated on your charger's label. Other types of batteries may burst, causing personal injury or damage.

- **Before using the battery charger,** read all instructions and cautionary markings in this manual and on the battery charger, the battery and the product using the battery to prevent misuse of the products and possible injury or damage.
- **Do not use the charger outdoors or expose it to wet or damp conditions.** Water entering the charger will increase the risk of electric shock.
- **Do not handle charger, including the charger plug and charger terminals with wet hands.**
- **Use of an attachment not recommended or sold by the battery-charger manufacturer may result in a risk of fire, electric shock, or injury to persons.**
- **Recharge only with the charger specified by the manufacturer.** A charger that is suitable for one type of battery pack may create a risk of fire when used with another battery pack.
- **Do not abuse the cord or charger.** Never use the cord to carry the charger. Do not pull the charger cord to disconnect the plug from a receptacle. Damage to the cord or charger could occur and create an electric shock hazard. Replace damaged cords immediately.
- **Make sure that the cord is located so that it will not be stepped on, tripped over, come in contact with sharp edges or moving parts, or otherwise be subjected to damage or stress.** This will reduce the risk of accidental falls, which could cause injury and damage to the cord, which could then result in electric shock.
- **Keep the cord and charger from heat to prevent damage to housing or internal parts.**
- **Do not allow gasoline, oils, petroleum-based products, etc. to come in contact with plastic parts.** These materials contain chemicals that can damage, weaken, or destroy plastic.

- **Do not operate the charger with a damaged cord or plug, which could cause shorting and electric shock.** If damaged, have the charger repaired or replaced by an authorized service technician at an EGO Service Center.
- **Do not operate the charger if it has received a sharp blow, been dropped, or has otherwise been damaged in any way.** Take it to an authorized service technician for an electrical check to determine if the charger is in good working order.
- **Do not disassemble the charger.** Take it to an authorized service technician when service or repair is required. Incorrect reassembly may result in a risk of electric shock or fire.
- **Unplug the charger from the electrical outlet before attempting any maintenance or cleaning to reduce the risk of electric shock.**
- **Disconnect charger from the power supply when not in use.** This will reduce the risk of electric shock or damage to the charger if metal items should fall into the opening. It will also help prevent damage to the charger during a power surge.
- **Risk of electric shock.** Do not touch the uninsulated portion of output connector or uninsulated battery terminal.
- **Save these instructions.** Refer to them frequently and use them to instruct others who may use this tool. If you lend this tool to someone else, also lend these instructions to them to prevent misuse of the product and possible injury.

SAVE THESE INSTRUCTIONS!

IMPORTANT SAFETY INSTRUCTIONS

- **Save these instructions.** This manual contains important safety and operating instructions for Models CHV1600/CHV1600-FC that shall be followed during installation and maintenance.
- **Before using the battery charger, read all instructions and cautionary markings on the battery charger, the battery and the product using battery.**

⚠ WARNING: When using electric appliances, basic precautions should always be followed, including the following.

- To reduce the risk of injury, close supervision is necessary when an appliance is used near children.
- Only use attachments recommended or sold by manufacturer.
- Do not use outdoors.
- For a portable appliance – To reduce the risk of electrical shock, do not put charger in water or other liquid. Do not place or store appliance where or can fall or be pulled into a tub or sink.

⚠ CAUTION: To reduce the risk of injury, charge only lithium-ion rechargeable batteries. Other types of batteries may burst, causing personal injury or damage.

INTRODUCTION

Congratulations on your selection of the 56V Electric Zero Turn Mower 1600W charger. It has been designed, engineered and manufactured to give you the best possible dependability and performance.


Should you experience any problem you cannot easily remedy, please contact EGO customer service center 800-346-9876 (800-EGO-ZTRM).

This manual contains important information on to the safe assembly, operation and maintenance of your product. Read it carefully before using the product. Keep this manual handy so you can refer to it at any time.

SERIAL NUMBER _____ DATE OF PURCHASE _____

YOU SHOULD RECORD BOTH SERIAL NUMBER AND DATE OF PURCHASE AND KEEP IN A SAFE PLACE FOR FUTURE REFERENCE.

SPECIFICATIONS

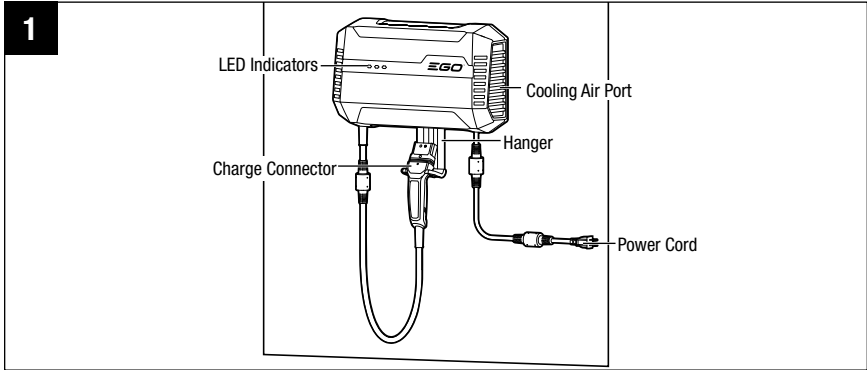
Charger Input	120V~, 60Hz, 1600W
Charger output	56V 
Quick-Charge time	Approximately 120 min for 4 x BA5600T/BA5600T-FC 56V 10Ah Lithium-ion
Charger Weight	9.9 lb. (4.5kg)

PACKING LIST

PART NAME	QUANTITY
Charger	1
Operator's Manual	1

DESCRIPTION

KNOW YOUR CHARGER (Fig. 1)



LED INDICATORS: Indicate status of the charger. There are three green/red bicolor LED indicators.

CHARGE CONNECTOR: To connect to the mower.

HANGER: Hanger for the charge connector.

OPERATION

The charger is designed to charge EGO Power+ batteries that are installed in the EGO Electric Zero Turn Mower ZT4200L/ZT4200L-FC.

⚠ WARNING: Do not use the charger outdoors or expose it to wet or damp conditions. Water entering the charger will increase the risk of electric shock.

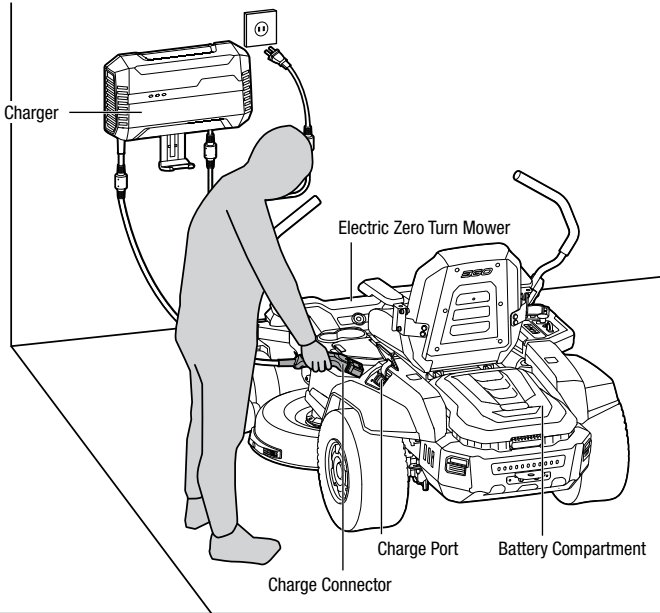
NOTICE: Lithium-Ion battery packs are shipped partially charged. Before using it the first time, fully charge the battery pack.

1. Align the raised ribs of the battery pack with the mounting slot in the battery compartment of the mower. Slide the battery pack down onto the mower. Make sure that the battery packs are securely attached to the mower. Plug the charge connector into the charge port of the mower.
2. Connect the charger to the power supply (120V~, 60Hz). The three LED indicators will briefly shine green, indicating that the charger is working correctly.
3. The charger will communicate with the battery packs to evaluate the condition of the battery packs. When the battery packs meet the charging conditions, the charger will begin charging the battery packs and three LED indicators on the charger will shine green in sequence, from left to right. The fan in the charger continuously works to cool the charger.
4. When the battery packs are fully charged, three LED indicators stop alternating and will shine solid green. The power indicator on the battery packs will go out. Wait until the cooling fan stops, remove the charge connector from the mower and disconnect the charger from the power supply.

NOTICE:

- A significantly reduced run time after fully charging a battery pack indicates that the batteries are near the end of their usable life and the battery pack must be replaced.
- The charger may warm during charging. This is part of the normal operation of the charger. Charge in a well-ventilated area.

2



STATUS	LED INDICATORS ON THE CHARGER	POWER INDICATOR ON THE BATTERY PACK	LED ON THE MOWER
Defective	All LED indicators shining solid red	Off	Shining solid red
Cold/Hot Battery	First LED indicator flashing green	Off	Shining solid red
Cold/Overheated charger	First LED indicator shining solid red	Off	Shining solid red
Charger output overcurrent	First two LED indicators shining solid red	Off	Shining solid red
The charger's fan is defective	First LED indicator flashing red	Off	Shining solid red
Charging	Shining green in sequence, from left to right.	Flashing red, orange and green alternately/ Last segment flashing green, rest solid green	Indicating the charge level of the total inserted batteries.
Full Charged	All LED indicators shining solid green	Off	

CHARGING A HOT OR COLD BATTERY PACK

If the battery pack in the mower is not in the normal temperature range, the first of the three LED indicators will flash green. When the battery pack cools down or warms up to a normal temperature range, the charger will automatically begin charging and the three LED indicators will shine in sequence normally.

HANGER

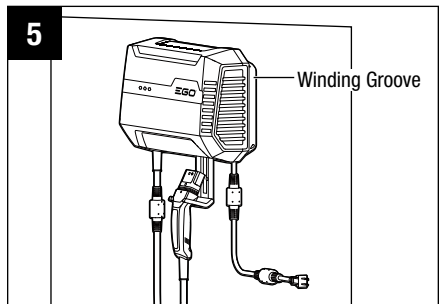
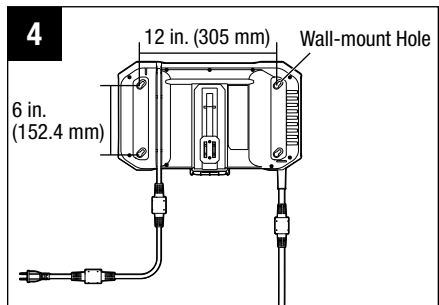
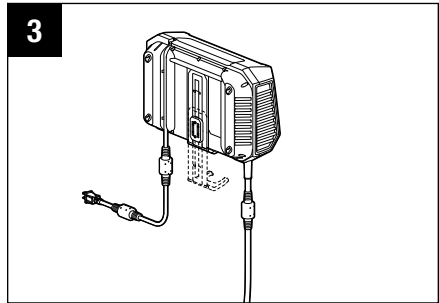
The hanger is designed for hanging the charge connector. It can be placed in two positions (Fig. 3). The lower position is for hanging the charge connector (Fig. 1). The higher position is for convenient storage.

WALL-MOUNT HOLES

The charger has four hanging holes for convenient storage (Fig. 4). Install four screws on the wall 12 inches (305 mm) apart horizontally and 6 inches (152.4 mm) apart vertically to hang the charger. Use screws sufficiently strong to hold the charger.

WINDING GROOVE

When the charger is hung on the wall, there will be a groove towards the back of the charger. The groove can be used as a winding groove. Wind the power cord in the winding groove if it is too long to use conveniently (Fig. 5).



MAINTENANCE

⚠ WARNING: When servicing, use only identical replacement parts. Use of any other parts may create a hazard or cause product damage. To ensure safety and reliability, all repairs should be performed by a qualified service technician at an EGO Service Center.

⚠ WARNING: It is not recommended to use compressed dry air as cleaning method of the charger. If cleaning with compressed air is the only method to apply, always wear safety goggles or safety glasses with side shields when using compressed air to clean the tool. If the operation is dusty, also wear a dust mask.

GENERAL MAINTENANCE

Avoid using solvents when cleaning plastic parts. Most plastics are susceptible to damage from various types of commercial solvents and may be damaged by their use. Use clean cloths to remove dirt, dust, oil, grease, etc.

⚠ WARNING: Do not at any time let brake fluids, gasoline, petroleum-based products, penetrating oils, etc. to come in contact with plastic parts. Chemicals can damage, weaken or destroy plastic which may result in serious personal injury.

TROUBLESHOOTING

PROBLEM	CAUSE	SOLUTION
Charger does not work. Three LED indicators are shining solid red.	Battery pack or charger is defective.	<ul style="list-style-type: none"> ■ Try to charge a different battery pack. ■ Unplug the charger and wait until the LED indicators go out, then reconnect the plug to the power supply. ■ If none of the above solves the problem, call EGO Customer Service.
Charger does not work and first LED indicator flashes green.	Battery pack is too hot or too cold.	Allow the battery pack to cool down or warm up. Charging will begin when battery pack returns to the normal temperature.
Charger does not work and first LED indicator shine solid red.	Cold/Overheated charger	Unplug the charger and wait until the charger cool down or warm up, then reconnect the plug to the power supply.
Charger does not work and first two LED indicators shine solid red.	Charger output overcurrent	Unplug the charger and then reconnect the plug to the power supply. If it does not work, call EGO Customer Service.

PROBLEM	CAUSE	SOLUTION
Charger does not work and first LED indicator flashes red.	The charger's fan is blocked or defective.	Unplug the charger, shake the charger slightly, and then reconnect the charger between the power supply and the mower to see whether the charger fan works normally. If it does not work, call EGO Customer Service.
Charger does not work and all LED indicators are off.	<ul style="list-style-type: none">■ Bad connection between the battery pack and mower.■ The charger is defective.	<ul style="list-style-type: none">■ Try to remove and reinsert the battery pack in the mower.■ Unplug the charger and then reconnect the plug to the power supply. If it does not work, call EGO Customer Service.

WARRANTY

EGO WARRANTY POLICY

5-year limited warranty on EGO POWER+ outdoor power equipment and portable power for personal, household use.

3-year limited warranty on EGO POWER+ System battery packs and chargers for personal, household use. An additional 2-year extended warranty applies for the 10.0Ah battery whether sold separately (Model# BA5600T) or included with any tool, if it is registered within 90 days of purchase. 5-year limited warranty on CHV1600 charger, designed for use with Zero Turn Riding Mower for personal, household use.

2 year/1year limited warranty on EGO outdoor power equipment, portable power, battery packs, and chargers for professional and commercial use.

The detailed warranty periods by products can be found online at <http://egopowerplus.com/warranty-policy>.

Please contact EGO Customer Service Toll-Free at 800-346-9876 (800-EGO-ZTRM) any time you have questions or warranty claims.

LIMITED SERVICE WARRANTY

EGO products are warranted against defects in material or workmanship from the date of original retail purchase for the applicable warranty period. Defective product will receive free repair.

- a) This warranty applies only to the original purchaser from an authorized EGO retailer and may not be transferred. Authorized EGO retailers are identified online at <http://egopowerplus.com/warranty-policy>
- b) The warranty period for reconditioned or factory certified products used for residential purpose is 1 year, for industrial, professional or commercial purpose is 90 days.
- c) The warranty period for routine maintenance parts, such as, but not limited to, ride-on mower seat, wheels, tires, anti-scalp wheels, brake disc, friction block, blades, trimmer heads, chain bars, saw chains, belts, scraper bars, rubber paddles, augers, skid shoes, blower nozzles, and all other EGO accessories is 90 days for residential purpose, 30 days for industrial, professional or commercial purpose. These parts are covered for 90/30 days from manufacture defects in normal working conditions.
- d) This warranty is void if the product has been used for rental purpose.



- e) This warranty does not cover the damage resulting from modification, alteration or unauthorized repair.
- f) This warranty only covers defects arising under normal usage and does not cover any malfunction, failure or defect resulting from misuse, abuse (including overloading of the product beyond capacity and immersion in water or other liquid), accidents, neglect or lack of proper installation, and improper maintenance or storage.
- g) This warranty does not cover normal deterioration of the exterior finish, including but not limited to scratches, dents, paint chips, or to any corrosion or discoloring by heat, abrasive and chemical cleaners.

HOW TO OBTAIN SERVICE

For warranty service, please contact EGO customer service toll-free at **800-346-9876 (800-EGO-ZTRM)**. When requesting warranty service, you must present the original dated sales receipt. An authorized service center will be selected to repair the product according to the stated warranty terms. When bringing your product to the authorized service center, there may be a small deposit that will be required when dropping off your tool. This deposit is refundable when the repair service is deemed to be covered under warranty.

ADDITIONAL LIMITATIONS

To the extent permitted by applicable law, all implied warranties, including warranties of MERCHANTABILITY or FITNESS FOR A PARTICULAR PURPOSE, are disclaimed. Any implied warranties, including warranties of merchantability or fitness for a particular purpose, that cannot be disclaimed under state law are limited to the applicable warranty period defined at the beginning of this article.

Chervon North America is not responsible for direct, indirect, incidental or consequential damages.

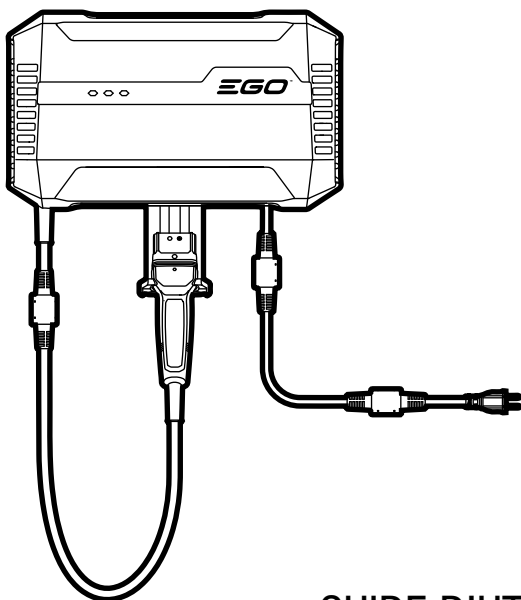
Some states do not allow limitations on how long an implied warranty lasts and/or do not allow the exclusion or limitation of incidental or consequential damages, so the above limitations may not apply to you.

This warranty gives you specific legal rights, and you may also have other rights which vary from state to state.

For customer service contact us toll-free at: **800-346-9876 (800-EGO-ZTRM) or EGOPOWERPLUS.COM**. EGO Customer Service, 769 SEWARD AVE NW / Suite 102 Grand Rapids, MI 49504

EGO™

POWER  CHARGER



GUIDE D'UTILISATION

CHARGEUR 1 600 W POUR TONDEUSE ÉLECTRIQUE À RAYON DE BRAQUAGE ZÉRO DE 56 VOLTS

NUMÉRO DE MODÈLE CHV1600/CHV1600-FC

⚠ AVERTISSEMENT : Afin de réduire les risques de blessure, l'utilisateur doit lire et comprendre le guide d'utilisation avant d'utiliser ce produit. Conservez le présent guide afin de pouvoir le consulter ultérieurement.

TABLE DES MATIÈRES

Déclaration relative à la FCC	25
Symboles de sécurité	26
Consignes de sécurité	27-33
Introduction	34
Caractéristiques techniques	35
Description	36
Fonctionnement	37-40
Entretien	41
Dépannage	42-43
Garantie	44-46

LISEZ TOUTES LES INSTRUCTIONS!



ASSUREZ-VOUS DE LIRE ET DE
COMPRENDRE LE GUIDE D'UTILISATION

Ce chargeur de piles a de nombreuses fonctionnalités qui rendent son utilisation plus plaisante et agréable. La sécurité, la performance et la fiabilité ont été considérées comme une priorité absolue dans la conception de ce produit, ce qui facilite son entretien et son utilisation.

DÉCLARATION RELATIVE À LA FCC

1. Cet appareil est conforme à la partie 15 des règlements de la FCC. Son fonctionnement est soumis aux deux conditions suivantes :
 - 1) L'appareil ne doit pas provoquer d'interférences nuisibles.
 - 2) L'appareil doit accepter toute interférence reçue, y compris des interférences susceptibles de causer un fonctionnement non désiré.
2. Tout changement ou toute modification non expressément approuvé par la partie responsable de la conformité peut annuler le droit de l'utilisateur à faire fonctionner l'équipement

AVERTISSEMENT : Cet équipement a été testé et a été déclaré conforme aux restrictions pour dispositifs numériques de classe B en vertu de la partie 15 des règles de la FCC. Ces restrictions visent à offrir une protection raisonnable contre l'interférence nuisible d'une installation résidentielle. Cet équipement génère, utilise et peut émettre de l'énergie de fréquence radio et, s'il n'est pas installé et utilisé conformément aux instructions, il peut causer une interférence nuisible aux radiocommunications. Toutefois, il n'est pas garanti qu'une interférence ne puisse pas se produire dans une installation particulière. Si l'équipement cause une interférence nuisible à la réception radio ou télévisuelle, interférence qui peut être déterminée en allumant et en éteignant l'équipement, il est recommandé que l'utilisateur tente de corriger l'interférence en prenant au moins l'une des mesures suivantes : réorienter ou déplacer l'antenne de réception; augmenter la distance entre l'équipement et le récepteur; brancher l'équipement sur une prise de courant qui n'appartient pas au circuit sur lequel le récepteur est branché; consulter le vendeur ou un technicien spécialisé en audiovisuel pour obtenir de l'aide.

SYMBOLES DE SÉCURITÉ

L'objectif des symboles de sécurité est d'attirer votre attention sur les dangers potentiels. Vous devez examiner attentivement et bien comprendre les symboles de sécurité et les explications qui les accompagnent. Les symboles d'avertissement n'éliminent pas le danger d'eux-mêmes. Les consignes et avertissements qu'ils donnent ne remplacent en aucun cas la prise de mesures préventives adéquates.

⚠ AVERTISSEMENT : Avant d'utiliser cet outil, veuillez à lire et à comprendre toutes les consignes de sécurité du guide d'utilisation, notamment tous les symboles d'alerte de sécurité comme < **DANGER** >, < **AVERTISSEMENT** > et < **MISE EN GARDE** >. Le fait de ne pas respecter toutes les consignes ci-dessous peut occasionner un choc électrique, un incendie ou des blessures graves.

⚠ AVERTISSEMENT : Lors de l'utilisation de tout outil électrique, des corps étrangers peuvent être projetés dans les yeux et causer des lésions oculaires graves. Avant d'utiliser un outil électrique, veuillez à toujours porter des lunettes de protection couvrantes ou à écrans latéraux, ou un masque complet au besoin. Nous recommandons le port d'un masque de sécurité panoramique par-dessus les lunettes ou de lunettes de sécurité standard avec écrans latéraux. Portez toujours un équipement de protection des yeux conforme à la norme ANSI Z87.1.

CONSIGNES DE SÉCURITÉ

Cette page illustre et décrit les symboles de sécurité qui peuvent être présents sur ce produit. Vous devez lire, comprendre et suivre toutes les instructions présentes sur l'appareil avant d'entamer son assemblage ou son utilisation.

	Alerte de sécurité	Précautions destinées à assurer votre sécurité
	Lire le guide d'utilisation	Pour réduire le risque de blessure, l'utilisateur doit lire et comprendre le mode d'emploi avant de commencer à utiliser ce produit.
	Protection oculaire	Portez toujours des lunettes de sécurité ou de protection comportant des écrans latéraux et un écran facial complet lorsque vous utilisez ce produit.
	Fabrication de classe II	Fabrication à double isolation
	Tube de souffleur	N'utilisez pas l'appareil si le tube n'est pas en place.
V	Volt	Tension
A	Ampères	Courant
min	Minutes	Durée

~	Courant alternatif	Type de courant ou caractéristique du courant
≡	Courant continu	Type de courant ou caractéristique du courant
Hz	Hertz	Fréquence (cycles par seconde)
W	Watt	Puissance
lb	Livre	Kilogramme
kg	Kilogramme	Kilogramme
°F	Fahrenheit temperature	Température
°C	Celsius temperature	Température

⚠ AVERTISSEMENT : Lisez toutes les instructions et assurez-vous que vous les comprenez bien. Le non-respect de toutes les instructions figurant ci-dessous pourrait causer un choc électrique, un incendie et/ou une blessure grave. Les termes « outil électrique » dans tous les avertissements figurant ci-dessous font référence à des outils électriques câblés ou à des outils électriques sans fil contenant des piles.

⚠ AVERTISSEMENT: Pour assurer la sécurité et la fiabilité, toutes les réparations doivent être effectuées par un technicien de service qualifié.

SÉCURITÉ DE L'AIRE DE TRAVAIL

- **Maintenez l'aire de travail propre et bien éclairée.** Les aires de travail sombres et encombrées sont propices aux accidents.
- **N'utilisez pas d'outils électriques dans un milieu explosif, par exemple où il y a présence de liquides, de vapeurs ou de poussières inflammables.** Les outils électriques produisent des étincelles susceptibles d'enflammer ces poussières ou ces vapeurs.

SÉCURITÉ ÉLECTRIQUE

- **Évitez tout contact de votre corps avec des surfaces mises à la terre telles que des surfaces de tuyaux, de radiateurs, de cuisinières ou de réfrigérateurs.** Il existe un risque accru de choc électrique si votre corps est en contact avec la terre.
- **La fiche de l'outil électrique doit correspondre à la prise de courant.** Ne modifiez jamais une fiche de quelque façon que ce soit. N'utilisez pas d'adaptateurs de fiches avec des outils électriques mis à la terre. L'emploi de fiches non modifiées et de prises de courant correspondant naturellement aux fiches réduira le risque de choc électrique.
- **N'exposez pas d'outils électriques à la pluie ou à un environnement humide.** La pénétration d'eau dans un outil électrique augmentera le risque de choc électrique.
- **N'utilisez pas le cordon de façon abusive. N'utilisez pas le cordon pour porter, tirer ou débrancher l'outil électrique. Tenez le cordon à distance de toute source de chaleur, d'huile, de bords tranchants ou de pièces mobiles.** Des cordons endommagés ou entortillés augmentent le risque de choc électrique.
- **Lorsque vous utilisez un outil électrique à l'extérieur, employez un cordon de rallonge approprié pour un emploi à l'extérieur.** L'utilisation d'un cordon approprié pour une utilisation à l'extérieur réduit le risque de choc électrique.

- **Ce chargeur ne peut fonctionner qu'avec une TONDEUSE ÉLECTRIQUE À RAYON DE BRAQUAGE ZÉRO EGO ZT4200L/ZT4200L-FC pour charger des blocs-piles de la liste ci-dessous :**

CHARGER	BLOCS-PILES
CHV1600, CHV1600-FC	BA1400, BA1400-FC: 56V 2.5Ah Lithium-ion BA2800, BA2800-FC: 56V 5.0Ah Lithium-ion BA4200, BA4200-FC: 56V 7.5Ah Lithium-ion BA1400T, BA1400T-FC: 56V 2.5Ah Lithium-ion BA2800T, BA2800T-FC: 56V 5Ah Lithium-ion BA4200T, BA4200T-FC: 56V 7.5Ah Lithium-ion BA5600T/BA5600T-FC: 56V 10Ah Lithium-ion

ENTRETIEN

- **Faites entretenir votre chargeur par un réparateur qualifié en utilisant uniquement des pièces de remplacement identiques.** Vous vous assurerez ainsi que le chargeur demeure sécuritaire.
- **Lors de toute réparation d'un chargeur, n'utilisez que des pièces de rechange identiques. Suivez les instructions de la section Maintenance de ce mode d'emploi.** L'utilisation de pièces de rechange non autorisées ou le non-respect des instructions de maintenance pourrait créer un risque de choc électrique ou de blessure.

CONSIGNES DE SÉCURITÉ POUR LE CHARGEUR

⚠ MISE EN GARDE : Pour réduire le risque de choc électrique ou d'endommagement du chargeur et des piles, ne chargez que les piles au lithium-ion rechargeables mentionnées spécifiquement sur l'étiquette de votre chargeur. Les autres types de piles pourraient éclater et causer des blessures ou des dommages matériels.

- **Avant d'utiliser le chargeur de piles,** lisez toutes les instructions et les mises en garde de ce mode d'emploi, ainsi que celles qui figurent sur le chargeur de piles, sur les piles et sur le produit utilisant les piles pour éviter toute utilisation abusive du produit et tout risque de blessure ou de dommage matériel.
- **N'utilisez pas le chargeur à l'extérieur et ne l'exposez pas à des conditions mouillées ou humides.** La pénétration d'eau dans le chargeur augmentera le risque de choc électrique.

- **Ne manipulez pas le chargeur, y compris la fiche du chargeur et ses bornes, si vous avez les mains mouillées.**
- **L'utilisation d'un attachement non recommandé ou vendu par le fabricant du chargeur de piles pourrait causer un risque d'incendie, de choc électrique ou de blessure.**
- **Ne rechargez l'outil qu'avec le chargeur indiqué par le fabricant.** Un chargeur qui est approprié pour un type de bloc-piles pourrait créer un risque d'incendie quand il est utilisé avec un autre bloc-piles.
- **N'utilisez pas le cordon ou le chargeur de façon abusive.** N'utilisez pas le cordon pour transporter le chargeur. Ne tirez pas sur le cordon du chargeur pour débrancher la fiche d'une prise de courant. Ceci pourrait endommager le cordon ou le chargeur et créer un risque de choc électrique. Remplacez immédiatement les cordons s'ils sont endommagés.
- **Assurez-vous que le cordon est placé de manière à ce qu'il ne puisse pas être piétiné, qu'il ne risque pas de faire trébucher, qu'il n'entre pas en contact avec des arêtes vives ou des pièces en mouvement, et qu'il ne soit pas par ailleurs exposé à des risques de tension excessive ou d'endommagement.** Ceci réduira le risque de chutes accidentelles, qui pourraient causer des blessures et endommager le cordon, ce qui pourrait alors causer un choc électrique.
- **Gardez le cordon et le chargeur à distance de toute source de chaleur pour éviter d'endommager le boîtier ou les pièces internes.**
- **Ne laissez pas d'essence, d'huiles, de produits à base de pétrole, etc. entrer en contact avec des pièces en plastique.** Ces matériaux contiennent des agents chimiques qui pourraient endommager, affaiblir ou détruire le plastique.
- **N'utilisez pas le chargeur si sa fiche ou son cordon est endommagé, car ceci risquerait de causer un court-circuit et un choc électrique.** S'il est endommagé, faites réparer ou remplacer le chargeur par un technicien de service agréé dans un Centre de service après-vente EGO.
- **N'utilisez pas le chargeur s'il a reçu un choc violent, s'il est tombé ou s'il a été endommagé de quelque façon que ce soit par ailleurs.** Apportez-le chez un technicien de service agréé afin de procéder à une vérification électrique pour déterminer si le chargeur est en bon état de fonctionnement.
- **Ne démontez pas le chargeur.** Apportez-le chez un technicien de service agréé lorsqu'une procédure d'entretien ou une réparation est nécessaire. Un remontage incorrect pourrait causer un choc électrique ou un incendie.

- **Débranchez le chargeur de la prise de courant avant d'effectuer toute opération de maintenance ou de nettoyage afin de réduire le risque de choc électrique.**
- **Débranchez le chargeur de la prise de courant lorsque vous ne vous en servez pas.** Ceci réduira le risque de choc électrique ou d'endommagement du chargeur au cas où des objets en métal tombaient dans l'ouverture. Ceci contribuera également à prévenir un endommagement du chargeur en cas de surtension.
- **Risque de choc électrique.** Ne touchez pas la partie non isolée du connecteur de sortie ou une borne non isolée du boîtier.
- **Conservez ces instructions.** Consultez-les fréquemment et utilisez-les pour donner les instructions nécessaires à d'autres personnes qui peuvent utiliser cet outil. Si vous prêtez cet outil à quelqu'un d'autre, donnez-lui également ces instructions pour éviter toute utilisation abusive du produit et tout risque de blessure.

CONSERVEZ CES INSTRUCTIONS!

CONSIGNES DE SÉCURITÉ IMPORTANTES

- **Conservez ces instructions.** Ce mode d'emploi contient des consignes de sécurité et des instructions d'utilisation importantes pour les modèles CHV1600/CHV1600-FC qui doivent être suivies pendant l'installation et l'entretien.
- **Avant d'utiliser le chargeur de piles, lisez toutes les instructions et mises en garde inscrites sur le chargeur de piles, sur les piles et sur le produit utilisant ces piles.**

⚠ AVERTISSEMENT : Lorsque vous utilisez des appareils électroménagers, suivez toujours des précautions élémentaires, y compris les suivantes :

- Pour réduire le risque de blessure, lorsqu'un appareil électroménager est utilisé à côté d'enfants, ceux-ci doivent être supervisés étroitement.
- Utilisez seulement des attachements recommandés ou vendus par le fabricant.
- Ne pas utiliser à l'extérieur.
- Pour un appareil électroménager transportable – Pour réduire le risque de choc électrique, n'immergez pas le chargeur dans de l'eau ou dans un autre liquide. Ne placez pas ou ne rangez pas un appareil électroménager à un endroit où il risquerait de tomber ou d'être attiré dans une baignoire ou un lavabo.

⚠ MISE EN GARDE : Pour réduire le risque de blessure, chargez seulement des piles rechargeables au lithium-ion. D'autres types de piles pourraient éclater et causer ainsi des blessures ou des dommages matériels.

INTRODUCTION

Félicitations pour votre sélection du chargeur 1 600 w pour tondeuse électrique à rayon de braquage zéro de 56 V ! Il a été conçu, produit et fabriqué pour vous fournir le maximum possible de fiabilité et de performance.


Si vous éprouvez un problème que vous n'arrivez pas à régler facilement, veuillez communiquer avec le centre de service à la clientèle d'EGO au 800-346-9876 (800-EGO-ZTRM).

Ce guide contient des renseignements importants pour assembler, utiliser et entretenir le 56V chargeur en toute sécurité. Lisez-le soigneusement avant d'utiliser le chargeur. Conservez ce guide à portée de main afin de pouvoir le consulter à tout moment.

NUMÉRO DE SÉRIE _____ DATE D'ACHAT _____

NOUS VOUS RECOMMANDONS DE NOTER LE NUMÉRO DE SÉRIE ET LA DATE D'ACHAT ET DE LES CONSERVER EN LIEU SÛR AFIN DE POUVOIR LES CONSULTER ULTÉRIEUREMENT.

CARACTÉRISTIQUES

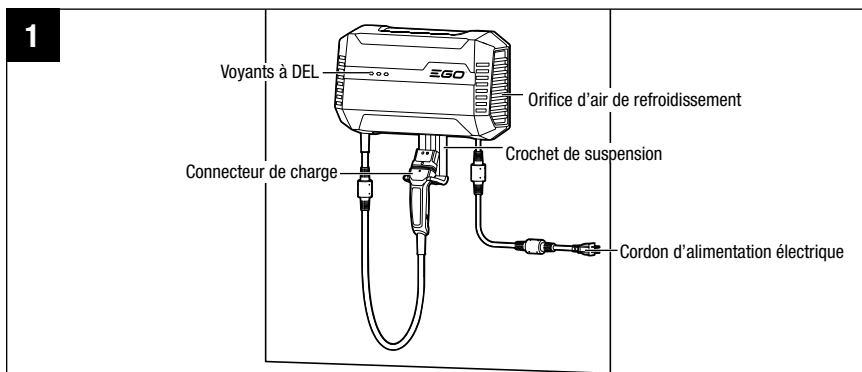
Entrée chargeur	120V~, 60Hz, 1600W
Sortie chargeur	56V 
Temps de charge rapide	Environ 120 min. pour 4 piles au lithium-ion BA5600T/BA5600T-FC de 56 V, 10 Ah
Poids du chargeur	4,5 kg (9.9 lb.)

LISTE DE COLISAGE

NOM DE LA PIÈCE	QUANTITÉ
Chargeur	1
Mode d'emploi	1

DESCRIPTION

DESCRIPTION DU CHARGEUR (figures 1)



VOYANTS À DEL : Indiquent l'état de fonctionnement du chargeur. Il y a trois voyants à DEL : rouge / vert / bicolore.

CONNECTEUR DE CHARGE : Pour effectuer la connexion avec la tondeuse.

CROCHET DE SUSPENSION : Crochet pour suspendre le connecteur de charge.

FONCTIONNEMENT

Le chargeur est conçu pour charger les piles EGO Power+ qui sont installées dans la tondeuse électrique à rayon de braquage zéro EGO ZT4200L/ZT4200L-FC.

⚠ AVERTISSEMENT : N'utilisez pas le chargeur à l'extérieur et ne l'exposez pas aux endroits mouillés ou humides. L'infiltration d'eau dans le chargeur augmente les risques de décharge électrique.

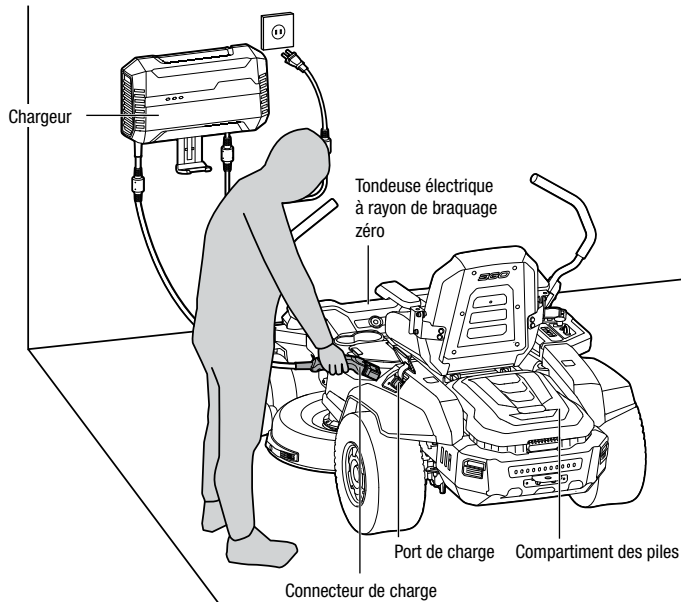
AVERTISSEMENT : Les blocs-piles au lithium-ion sont partiellement chargés au moment de leur expédition. Chargez complètement le bloc-pile avant sa première utilisation.

1. Alignez les nervures du bloc-piles sur la fente de monture du compartiment des piles de la tondeuse. Faites glisser le bloc-piles vers le bas, sur la tondeuse. Assurez-vous que les bloc-piles sont sécurisés sur la tondeuse. Branchez le connecteur de charge au port de charge de la tondeuse.
2. Connectez le chargeur à l'alimentation (120 V~, 60 Hz). Les trois voyants à DEL brilleront brièvement en vert pour indiquer que le chargeur fonctionne correctement.
3. Le chargeur communiquera avec les blocs-piles pour évaluer l'état des blocs-piles. Lorsque les blocs-piles satisfont aux conditions de charge, le chargeur commence à charger les blocs-piles et trois voyants à DEL sur le chargeur brilleront en vert tour à tour, de gauche à droite. Le ventilateur dans le chargeur fonctionne continuellement pour refroidir le chargeur.
4. Lorsque les blocs-piles sont complètement chargés, les trois voyants à DEL cessent de fonctionner en alternance et commencent à briller continuellement en vert. Le voyant d'indication d'alimentation électrique sur les blocs-piles s'éteindra alors. Attendez que le ventilateur de refroidissement cesse de fonctionner, détachez le connecteur de charge de la tondeuse et déconnectez le chargeur de la source d'alimentation.

AVERTISSEMENT :

- Une durée de fonctionnement vraiment réduite après une charge complète signifie que la fin de la vie utile des piles approche et que celles-ci doivent être remplacées.
- Il est possible que le chargeur devienne chaud durant la charge, cela est tout à fait normal. Chargez dans un endroit bien aéré.

2



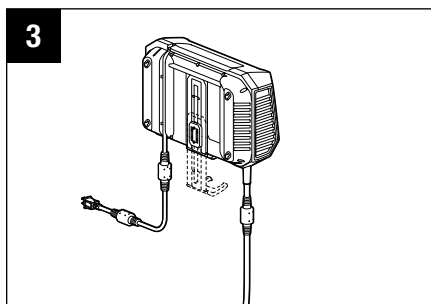
ÉTAT DE FONCTIONNEMENT	VOYANTS À DEL SUR LE CHARGEUR	VOYANT INDICATEUR D'ALIMENTATION ÉLECTRIQUE SUR LE BLOC-PILES	DEL SUR LA TONDEUSE
Défectueux	Tous les voyants à DEL brillent en rouge continuellement.	Éteint	Brille continuellement en rouge
Pile froide/chaude	Le premier voyant à DEL clignote en vert	Éteint	Brille continuellement en rouge
Chargeur froid / surchauffé	Le premier indicateur à DEL brille continuellement en rouge.	Éteint	Brille continuellement en rouge
Surintensité de la sortie du chargeur	Les deux premiers indicateurs à DEL brillent continuellement en rouge.	Éteint	Brille continuellement en rouge
Le ventilateur du chargeur est défectueux.	Le premier indicateur à DEL clignote en rouge.	Éteint	Brille continuellement en rouge
Charge en cours	Les voyants brillent en vert l'un après l'autre, de gauche à droite.	Clignotant alternativement en rouge, orange et vert / Dernier segment clignotant en vert, le reste allumé en vert continuellement	Indique le niveau de charge de l'intégralité des piles insérées.
Complètement chargé	Tous les voyants à DEL brillent en vert continuellement.	Éteint	

CHARGE D'UN BLOC-PILES CHAUD OU FROID

Si le bloc-piles dans la tondeuse n'est pas dans la plage de température normale, le premier des trois voyants à DEL clignotera en vert. Lorsque le bloc-piles aura refroidi ou se sera réchauffé pour être dans la plage de température normale, le chargeur commencera automatiquement à charger et les trois voyants à DEL brilleront normalement en séquence.

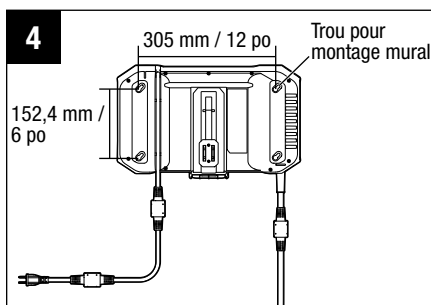
CROCHET DE SUSPENSION

Le crochet de suspension est conçu pour y accrocher le connecteur de charge. Il peut être placé dans deux positions différentes (Fig. 3). La position du bas sert à suspendre le connecteur de charge (Fig. 1). La position du haut sert pour le rangement de l'équipement.



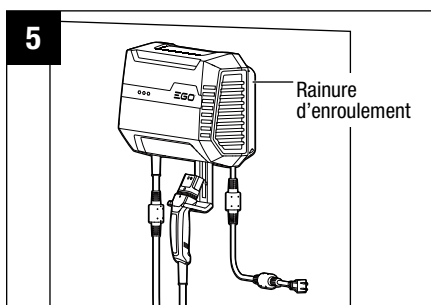
TROUS POUR MONTAGE MURAL

Le chargeur comporte quatre trous de suspension pour permettre un rangement pratique (Fig. 4). Installez quatre vis sur le mur à 305 mm / 12 po de distance horizontalement et à 152,4 mm / 6 po de distance verticalement pour suspendre le chargeur. Utilisez des vis suffisamment robustes pour pouvoir suspendre le chargeur.



RAINURE D'ENROULEMENT

Lorsque le chargeur est accroché au mur, on peut voir une rainure vers l'arrière du chargeur. La rainure peut être utilisée comme rainure d'enroulement. Enroulez le cordon d'alimentation dans la rainure d'enroulement s'il est trop long pour être utilisé facilement tel quel (Fig. 5).



ENTRETIEN

⚠ AVERTISSEMENT : Lors de toute réparation, n'utilisez que des pièces de rechange identiques. L'utilisation de toutes autres pièces pourrait créer un danger ou causer l'endommagement du produit. Pour assurer la sécurité et la fiabilité, toutes les réparations doivent être effectuées par un réparateur compétent dans un Centre de service après-vente EGO.

⚠ AVERTISSEMENT : Il n'est pas recommandé d'utiliser de l'air comprimé sec comme méthode de nettoyage pour le chargeur. Si le nettoyage à l'air comprimé est la seule méthode à appliquer, portez toujours des lunettes de protection ou des lunettes de sécurité à écrans latéraux. Si la procédure produit de la poussière, portez également un masque de protection contre la poussière.

ENTRETIEN GÉNÉRAL

Évitez d'utiliser des solvants sur les pièces en plastique. La plupart des plastiques sont susceptibles d'être endommagés par divers types de solvants commerciaux. Utilisez un linge propre pour enlever la saleté, la poussière, l'huile, la graisse, etc.

⚠ AVERTISSEMENT : Ne laissez en aucun temps du liquide pour freins, de l'essence, des produits à base de pétrole, des huiles dégrippantes et autres produits de ce genre entrer en contact avec les pièces en plastique. Les produits chimiques peuvent endommager, affaiblir ou détruire le plastique et engendrer ainsi des risques de blessures graves.

DÉPANNAGE

PROBLÈME	CAUSE	SOLUTION
Le chargeur ne fonctionne pas. Trois voyants à DEL brillent en rouge continuellement.	Le bloc-piles ou le chargeur est défectueux.	<ul style="list-style-type: none">■ Essayez de charger un bloc-piles différent.■ Débranchez le chargeur et attendez que les voyants à DEL s'éteignent, puis reconnectez la fiche à la source d'alimentation.■ Si aucune des solutions ci-dessus ne résout le problème, appelez le Service clientèle d'EGO.
Le chargeur ne fonctionne pas et le premier voyant à DEL clignote en vert.	Le bloc-pile est trop chaud ou trop froid.	Attendez que le bloc-piles se soit refroidi ou réchauffé. La charge commencera quand le bloc-piles sera revenu à la température normale.
Le chargeur ne fonctionne pas et le premier indicateur à DEL brille continuellement en rouge.	Chargeur froid / surchauffé	Débranchez le chargeur et attendez que le chargeur refroidisse ou chauffe, puis reconnectez la fiche à la source d'alimentation électrique.

PROBLÈME	CAUSE	SOLUTION
Le chargeur ne fonctionne pas et les deux premiers indicateurs à DEL brillent continuellement en rouge.	Surintensité de la sortie du chargeur	Débranchez le chargeur, puis reconnectez la fiche à la source d'alimentation électrique. S'il ne fonctionne toujours pas, contactez le Service à la clientèle d'EGO.
Le chargeur ne fonctionne pas et le premier indicateur à DEL clignote en rouge.	Le ventilateur du chargeur est bloqué ou défectueux.	Débranchez le chargeur, secouez légèrement le chargeur, puis reconnectez le chargeur entre la source d'alimentation électrique et la tondeuse pour voir si le ventilateur du chargeur fonctionne normalement.
Le chargeur ne fonctionne pas et tous les indicateurs à DEL sont éteints.	<ul style="list-style-type: none"> ■ Mauvaise connexion entre le bloc-piles et la tondeuse. ■ Le chargeur est défectueux. 	<ul style="list-style-type: none"> ■ Essayez de retirer puis de réinsérer le bloc-piles dans la tondeuse. ■ Débranchez le chargeur, puis reconnectez la fiche à la source d'alimentation électrique. S'il ne fonctionne toujours pas, contactez le Service à la clientèle d'EGO.

GARANTIE

POLITIQUE D'EGO EN MATIÈRE DE GARANTIE

Garantie limitée de 5 ans sur les équipements d'alimentation électrique d'extérieur EGO POWER+ et les équipements d'alimentation électrique portable pour un usage personnel et domestique.

Garantie limitée de 3 ans sur les blocs-piles et chargeurs du système EGO POWER+ pour un usage personnel et domestique. Une extension de garantie supplémentaire de deux ans s'applique à la pile de 10,0 Ah, qu'elle soit vendue séparément (Modèle N° BA5600T) ou incluse avec un outil quelconque, à condition d'être enregistrée dans les 90 jours de l'achat. Garantie limitée de cinq ans sur le chargeur CHV1600, conçu pour être employé avec la tondeuse à conducteur porté à rayon de braquage zéro pour utilisation personnelle, résidentielle.

Garantie limitée de 2 ans/1 an sur les équipements d'alimentation électrique d'extérieur, les équipements d'alimentation électrique portables, les blocs-piles et les chargeurs EGO pour un usage professionnel et commercial.

Les périodes de garantie détaillées de chaque produit sont indiquées en ligne à l'adresse <http://egopowerplus.com/warranty-policy>.

Veillez contacter le Service clientèle d'EGO en téléphonant au 1-800-346-9876 (800-EGO-ZTRM) (appel gratuit) à tout moment en cas de questions ou si vous voulez vous prévaloir de la garantie.

GARANTIE LIMITÉE

Les produits EGO sont garantis contre tout défaut de matériel ou de fabrication à compter de la date d'achat d'origine pour la période de garantie applicable. Les produits défectueux recevront une réparation gratuite.

- a) Cette garantie ne s'applique qu'à l'acheteur original auprès d'un revendeur agréé EGO, et elle ne peut pas être cédée. Les revendeurs agréés EGO sont identifiés en ligne à l'adresse <http://egopowerplus.com/warranty-policy>
- b) La période de garantie pour les produits remis en état ou certifiés par l'usine utilisés à des fins résidentielles est de 1 an, et de 90 jours lorsqu'ils sont utilisés à des fins industrielles, professionnelles ou commerciales.

- c) La période de garantie pour les pièces d'entretien de routine, telles que, mais sans s'y limiter, le siège de la tondeuse à conducteur porté, les roues, les pneus, les roues anti-scalp, le disque de frein, le bloc de friction, les lames, les têtes de coupe, les barres de chaîne, les chaînes de scie, les courroies, les barres de raclage, les palettes en caoutchouc, les tarières, les patins, les buses de soufflante et tous les autres accessoires EGO est de 90 jours à des fins résidentielles ou de 30 jours à des fins industrielles, professionnelles ou commerciales. Ces pièces sont couvertes pendant 90 ou 30 jours contre tout défaut de fabrication dans des conditions d'utilisation normales.
- d) La présente garantie n'est pas valide si le produit a été utilisé aux fins de location.
- e) La présente garantie ne couvre pas les dommages résultant d'une modification, d'une altération ou d'une réparation non autorisée.
- f) Cette garantie couvre uniquement les défauts survenant dans des conditions normales d'utilisation et ne couvre aucun dysfonctionnement ou défaut ni aucune défaillance découlant d'un usage inapproprié ou abusif (notamment la surcharge du produit et son immersion dans l'eau ou dans tout autre liquide), d'un accident, d'une négligence, d'une installation inadéquate et de tout entretien ou entreposage inadéquat.
- g) La présente garantie ne couvre pas la détérioration normale du fini extérieur, notamment les rayures, les bosselures, les craquelures de la peinture ou toute corrosion ou décoloration résultant de la chaleur, de produits abrasifs ou de nettoyants chimiques.

RECLAMATION AU TITRE DE LA GARANTIE

Pour faire une réclamation au titre de la garantie, veuillez communiquer avec le service à la clientèle d'EGO au **800-346-9876 (800-EGO-ZTRM)** (numéro sans frais). Lorsque vous faites une réclamation au titre de la garantie, vous devez présenter le reçu de vente original. Un centre de service autorisé sera sélectionné pour la réparation du produit conformément aux conditions de garantie prescrites. Il se peut qu'un petit dépôt soit exigé lorsque vous laissez votre outil dans un centre de service autorisé. Ce dépôt est remboursable lorsque le service de réparation est considéré comme étant couvert par la garantie.

RESTRICTIONS SUPPLÉMENTAIRES

Dans la mesure permise par la loi en vigueur, toutes les garanties implicites, y compris les garanties de QUALITÉ MARCHANDE ou D'ADÉQUATION À UN USAGE PARTICULIER, sont exclues. Toute garantie implicite, y compris la garantie de qualité marchande ou d'adéquation à un usage particulier, qui ne peut être rejetée en vertu de la loi de l'État ou de la province est limitée à la période de garantie applicable définie au début de cet article.

Chervon North America n'est pas responsable des dommages accessoires, consécutifs, indirects ou directs.

Certaines provinces n'autorisent pas les restrictions de durée de garantie implicite, ou l'exclusion ou la restriction des dommages consécutifs et accessoires; c'est pourquoi les restrictions ci-dessus peuvent ne pas s'appliquer à votre cas.

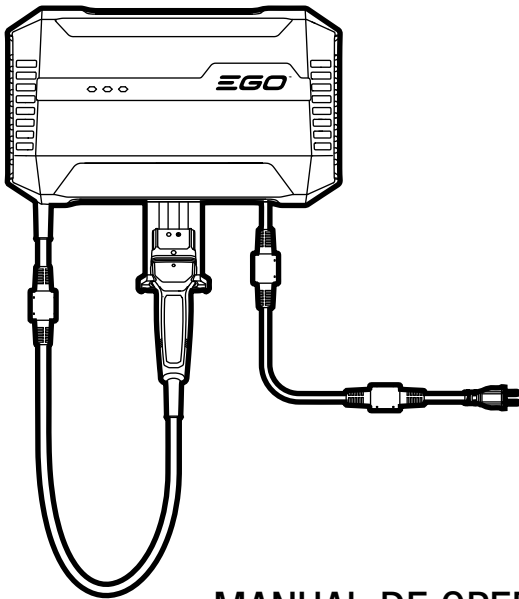
Cette garantie vous confère des droits précis. Il est possible que vous disposiez également d'autres droits, qui varient d'une province à l'autre.

Pour communiquer avec le service à la clientèle, veuillez composer le numéro sans frais suivant : **800-346-9876 (800-EGO-ZTRM)** ou consulter le site Web **EGOPOWERPLUS.COM**.

EGO Customer Service, 769 SEWARD AVE NW / Suite 102 Grand Rapids, MI 49504, États-Unis.

EGO™

POWER  CHARGER



MANUAL DE OPERACIONES

CARGADOR DE 1600 W PARA CORTADORAS DE CÉSPED ELÉCTRICAS CON RADIO DE GIRO CERO DE 56 V

MODELO NÚMERO CHV1600/CHV1600-FC

⚠ ADVERTENCIA: Para reducir el riesgo de lesiones, el usuario debe leer y comprender el Manual del usuario antes de usar este producto. Guarde estas instrucciones para consultarlas en el futuro.

ÍNDICE

Declaración de la Comisión Federal de Comunicaciones	49
Símbolos de seguridad	50
Instrucciones de seguridad	51-57
Introducción	58
Especificaciones	59
Descripción	60
Operación	61-65
Mantenimiento	65
Solución de problemas	66-67
Garantía	68-70

LEA TODAS LAS INSTRUCCIONES



LEA Y COMPRENDA
EL MANUAL DEL OPERADOR

Este cargador de baterías tiene muchas características para hacer que su utilización sea más agradable y amena. En el diseño de este producto se ha dado la máxima prioridad a la seguridad, el rendimiento y la confiabilidad, haciéndolo fácil de mantener y utilizar.

DECLARACIÓN DE LA COMISIÓN FEDERAL DE COMUNICACIONES

1. Este dispositivo cumple con la Sección 15 de las reglas de la FCC. La operación de este dispositivo está sujeta a las dos condiciones siguientes:
 - 1) Este dispositivo no debe causar interferencia dañina.
 - 2) Este dispositivo debe aceptar cualquier interferencia que reciba, incluida la interferencia que pueda causar un funcionamiento no deseado.
2. Los cambios o las modificaciones que no estén expresamente aprobados por la parte responsable del cumplimiento podrían anular la autorización del usuario para operar el equipo.

TAVISO: Este equipo se ha probado y ha demostrado que cumple con los límites para un dispositivo digital Clase B, de acuerdo con la Sección 15 de las reglas de la FCC. Estos límites están diseñados para ofrecer una protección razonable contra las interferencias dañinas en una instalación doméstica. Este equipo genera, usa y puede irradiar energía de radiofrecuencia y, si no se instala y se usa de acuerdo con las instrucciones, podría ocasionar interferencias dañinas para las comunicaciones por radio. Sin embargo, no se puede garantizar que no se vaya a producir este tipo de interferencias en una instalación en particular. Si el equipo efectivamente ocasiona interferencias dañinas en la recepción de radio o televisión, lo cual se puede determinar encendiendo y apagando el equipo, se recomienda al usuario que intente corregir la interferencia mediante alguna de las siguientes medidas: Reoriente o reubique la antena receptora. Aumente la distancia entre el equipo y el receptor. Conecte el equipo a un tomacorriente de un circuito diferente de aquel al que se encuentra conectado el receptor. Consulte con el distribuidor o con un técnico de radio y televisión experimentado.

SÍMBOLOS DE SEGURIDAD

Estos símbolos de seguridad se utilizan para advertirle sobre los posibles peligros. Los símbolos de seguridad y las explicaciones que los acompañan merecen cuidadosa atención y comprensión. Por sí solos, los símbolos de advertencia no eliminan los peligros. Las instrucciones y advertencias que proporcionan no reemplazan a las medidas adecuadas de prevención de accidentes.

ADVERTENCIA: Antes de utilizar esta herramienta, asegúrese de leer y comprender todas las instrucciones de seguridad en este Manual del usuario, incluidos todos los símbolos de alerta de seguridad como “**PELIGRO**”, “**ADVERTENCIA**” y “**PRECAUCIÓN**”. Si no se siguen todas las instrucciones que se indican a continuación, se pueden producir descargas eléctricas, incendios o lesiones personales graves.




ADVERTENCIA: La operación de cualquier herramienta eléctrica puede causar que se disparen objetos extraños hacia sus ojos, lo que puede resultar en daños graves en los ojos. Antes de comenzar a operar una herramienta eléctrica, use siempre gafas protectoras o anteojos de seguridad con protección lateral y un protector facial si es necesario. Le recomendamos usar una máscara de seguridad de visión amplia sobre anteojos o anteojos de seguridad estándar con protección lateral. Use siempre protección ocular con la marca de cumplimiento de la norma ANSI Z87.1.

INSTRUCCIONES DE SEGURIDAD

Esta página presenta y describe los símbolos de seguridad que pueden aparecer en este producto. Lea, comprenda y siga todas las instrucciones que figuran en la máquina antes de intentar ensamblarla y operarla.

	Alerta de seguridad	Precauciones que involucran su seguridad.
	Lea y comprenda el manual del operador	Para reducir el riesgo de lesiones, el usuario debe leer y entender el manual del operador antes de utilizar este producto.
	Protección ocular	Use siempre anteojos de seguridad o gafas de seguridad con escudos laterales y una careta completa cuando utilice este producto.
	Fabricación con doble aislamiento	Fabricación con doble aislamiento
	Alerta de condiciones de humedad	No exponga esta herramienta a la lluvia ni
V	Voltio	la utilice en áreas húmedas
A	Amperios	Voltaje
min	Minutos	Tiempo
~	Corriente alterna	Tipo de corriente

	Corriente continua	Tipo o característica de la corriente
Hz	Hertz	Frecuencia (ciclos por segundo)
W	Vatio	Potencia
lb	Libra	Peso
kg	Kilogramo	Peso
°F	Temperatura Fahrenheit	Temperatura
°C	Temperatura Celsius	Temperatura

⚠ ADVERTENCIA: lea y entienda todas las instrucciones. Si no se siguen todas las instrucciones que se indican a continuación, es posible que el resultado sea descargas eléctricas, incendio y/o lesiones corporales graves. La expresión “herramienta eléctrica” en todas las advertencias que aparecen a continuación se refiere a herramientas eléctricas alámbricas o herramientas eléctricas alimentadas por baterías (inalámbricas).

⚠ ADVERTENCIA: Para garantizar la seguridad y la confiabilidad, todas las reparaciones deberán ser realizadas por un técnico de servicio calificado.

SEGURIDAD DEL ÁREA DE TRABAJO

- **Mantenga el área de trabajo limpia y bien iluminada.** Las áreas desordenadas y oscuras pueden provocar accidentes
- **No opere herramientas eléctricas en ambientes explosivos, como en presencia de líquidos, gases o polvos inflamables.** Las herramientas eléctricas producen chispas que pueden encender el polvo o los gases

SEGURIDAD ELÉCTRICA

- **Evite el contacto del cuerpo con las superficies conectadas a tierra, tales como tuberías, radiadores, estufas de cocina y refrigeradores.** Hay un mayor riesgo de descargas eléctricas si el cuerpo del operador está conectado a tierra.
- **Los enchufes de las herramientas eléctricas deben coincidir con el tomacorriente.** No modifique nunca el enchufe de ninguna manera. No utilice enchufes adaptadores con herramientas eléctricas conectadas a tierra. Los enchufes no modificados y los tomacorrientes coincidentes reducirán el riesgo de descargas eléctricas.
- **No exponga las herramientas eléctricas a la lluvia ni a condiciones húmedas.** Si entra agua en una herramienta eléctrica se aumentará el riesgo de descargas eléctricas.
- **No abuse del cable de alimentación. No utilice nunca dicho cable para transportar, jalar o desenchufar la herramienta eléctrica. Mantenga el cable de alimentación alejado del calor, el aceite, los bordes afilados o las piezas móviles.** Los cables de alimentación dañados o enredados aumentan el riesgo de descargas eléctricas.
- **Cuando utilice una herramienta eléctrica a la intemperie, utilice un cable de extensión adecuado para uso a la intemperie.** El uso de un cable adecuado para uso a la intemperie reduce el riesgo de descargas eléctricas.
- **Este cargador solo puede funcionar con la CORTADORA DE CÉSPED ELÉCTRICA CON RADIO DE GIRO CERO EGO ZT4200L/ZT4200L-FC para cargar los paquetes de batería EGO que se indican a continuación:**

CARGADOR	PAQUETE DE BATERÍAS
CHV1600, CHV1600-FC	BA1400, BA1400-FC: 56V 2.5Ah Lithium-ion BA2800, BA2800-FC: 56V 5.0Ah Lithium-ion BA4200, BA4200-FC: 56V 7.5Ah Lithium-ion BA1400T, BA1400T-FC: 56V 2.5Ah Lithium-ion BA2800T, BA2800T-FC: 56V 5Ah Lithium-ion BA4200T, BA4200T-FC: 56V 7.5Ah Lithium-ion BA5600T/BA5600T-FC: 56V 10Ah Lithium-ion

MANTENIMIENTO

- **Faites entretenir votre chargeur par un réparateur qualifié en utilisant uniquement des pièces de remplacement identiques.** Vous vous assurez ainsi que le chargeur demeure sécuritaire
- **Cuando realice servicio de ajustes y reparaciones de un cargador, utilice únicamente piezas de repuesto idénticas. Siga las instrucciones de la sección Mantenimiento de este manual.** Es posible que el uso de piezas no autorizadas o el no seguir las instrucciones de Mantenimiento cree un riesgo de descargas eléctricas o lesiones.

INSTRUCCIONES DE SEGURIDAD PARA EL CARGADOR

⚠ PRECAUCIÓN: Para reducir el riesgo de descargas eléctricas o daños al cargador y a la batería, cargue únicamente las baterías recargables de ion litio designadas específicamente en la etiqueta de su cargador. Es posible que otros tipos de baterías revienten y con ello causen lesiones corporales o daños.

- **Antes de utilizar el cargador de baterías,** lea todas las instrucciones y marcas de precaución que se encuentran en este manual y en el cargador de baterías, la batería y el producto que utiliza la batería, para prevenir un uso incorrecto del producto y posibles lesiones o daños.
- **No utilice el cargador a la intemperie ni lo exponga a condiciones mojadas o húmedas.** Si entra agua en el cargador se aumentará el riesgo de descargas eléctricas.
- **No maneje el cargador, incluyendo el enchufe del cargador y los terminales del cargador, con las manos mojadas.**

- **Es posible que el uso de un aditamento no recomendado o no vendido por el fabricante del cargador de baterías cause un riesgo de incendio, descargas eléctricas o lesiones a las personas.**
- **Recargue baterías únicamente con el cargador especificado por el fabricante.** Es posible que un cargador que sea adecuado para un tipo de paquete de baterías cree un riesgo de incendio cuando se utilice con otro paquete de batería.
- **No abuse del cable de alimentación ni del cargador.** No utilice nunca el cable de alimentación para transportar el cargador. No jale el cable de alimentación del cargador para desconectar el enchufe de un tomacorriente. Podrían ocurrir daños al cable o al cargador y con ello se podría crear un peligro de descargas eléctricas. Reemplace inmediatamente los cables dañados.
- **Asegúrese de que el cable de alimentación esté ubicado de manera que no se pueda pisar ni tropezar con él, que no pueda entrar en contacto con bordes afilados o piezas móviles, y que no pueda sufrir a daños o someterse a esfuerzo de alguna otra manera.** Esto reducirá el riesgo de caídas accidentales, que podrían causar lesiones y daños al cable, lo cual podría producir descargas eléctricas.
- **Mantenga el cable de alimentación y el cargador alejados del calor para evitar daños a la carcasa o las piezas internas.**
- **No deje que gasolina, aceites, productos a base de petróleo, etc., entren en contacto con piezas de plástico.** Estos materiales contienen sustancias químicas que pueden dañar, debilitar o destruir el plástico.
- **No utilice el cargador si su cable de alimentación o su enchufe están dañados, ya que esto podría causar cortocircuitos y descargas eléctricas.** En caso de daños, haga que el cargador sea reparado o reemplazado por un técnico de servicio autorizado en un Centro de Servicio EGO.
- **No utilice el cargador si ha recibido un golpe fuerte, se ha caído o ha sufrido daños de alguna otra manera.** Llévelo a un técnico de servicio autorizado para realizar una comprobación eléctrica con el fin de determinar si el cargador está en buenas condiciones de funcionamiento.
- **No desensamble el cargador.** Llévelo a un técnico de servicio autorizado cuando se requiera servicio o reparación. Es posible que un reensamblaje incorrecto cause un riesgo de descargas eléctricas o incendio.
- **Desenchufe el cargador del tomacorriente antes de intentar cualquier mantenimiento o limpieza, para reducir el riesgo de descargas eléctricas.**

- **Desconecte el cargador de la fuente de alimentación cuando no esté en uso.** Esto reducirá el riesgo de descargas eléctricas o daños al cargador en el caso de que caigan objetos metálicos en la abertura. También ayudará a evitar daños al cargador durante una sobretensión eléctrica.
- **Riesgo de descargas eléctricas.** No toque la parte sin aislamiento del conector de salida ni el terminal de la batería que no tiene aislamiento.
- **Guarde estas instrucciones.** Consúltelas frecuentemente y utilícelas para instruir a otras personas que puedan utilizar esta herramienta. Si le presta esta herramienta a otra persona, préstele también estas instrucciones para evitar un uso incorrecto del producto y posibles lesiones.

GUARDE ESTAS INSTRUCCIONES!

INSTRUCCIONES DE SEGURIDAD IMPORTANTES

- **Guarde estas instrucciones.** Este manual contiene instrucciones de seguridad y utilización importantes para los modelos CHV1600/CHV1600-FC que se deberán seguir durante la instalación y el mantenimiento.
- **Antes de utilizar el cargador de baterías, lea todas las instrucciones y marcas de precaución que se encuentran en el cargador de baterías, la batería y el producto que utiliza batería.**

⚠ ADVERTENCIA: cuando se utilicen electrodomésticos, se deberán seguir siempre precauciones básicas, incluyendo las siguientes.

- Para reducir el riesgo de lesiones, se necesita supervisión estrecha cuando se utilice un electrodoméstico cerca de niños.
- Utilice solo aditamentos recomendados o vendidos por el fabricante
- No utilice el producto a la intemperie.
- Para un electrodoméstico portátil: para reducir el riesgo de descargas eléctricas, no ponga el cargador en agua u otro líquido. No ponga ni almacene el electrodoméstico en un lugar donde pueda caer o ser jalado a una tina o un lavamanos o fregadero.

⚠ PRECAUCIÓN: para reducir el riesgo de lesiones, cargue solo baterías recargables de ion litio. Es posible que otros tipos de baterías revienten y con ello causen lesiones corporales o daños.

INTRODUCCIÓN

Felicitaciones por su selección del cargador de 1600 W para cortadoras de césped eléctricas con radio de giro cero de 56 V. Este cargador ha sido diseñado, concebido y fabricado para ofrecerle a usted la mejor confiabilidad y el mejor rendimiento posibles.


En caso de que tuviera algún problema que no pudiera resolver fácilmente, comuníquese con el Centro de Servicio al Cliente de EGO al 800-346-9876 (800-EGO-ZTRM).

Este manual contiene información importante para el ensamblaje, la operación y el mantenimiento seguro de su paquete de baterías. Léalo atentamente antes de usar la paquete de baterías. Mantenga este manual a mano para poder consultarlo en cualquier momento.

NÚMERO DE SERIE _____	FECHA DE COMPRA _____
--------------------------	--------------------------

DEBE ANOTAR EL NÚMERO DE SERIE Y LA FECHA DE COMPRA, Y CONSERVARLOS EN UN LUGAR SEGURO PARA CONSULTARLOS EN EL FUTURO. PLACE FOR FUTURE REFERENCE

ESPECIFICACIONES

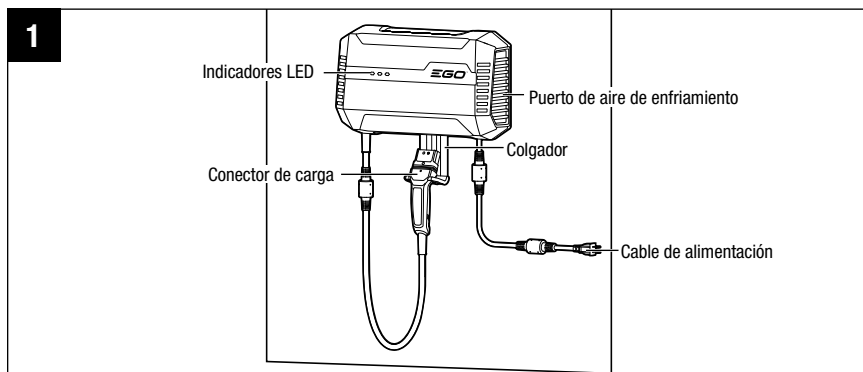
Entrada del cargador	120V~, 60Hz, 1600W
Salida del cargador	56V 
Tiempo de carga rápida	Aproximadamente 120 min para 4 x BA5600T/ BA5600T-FC de 56 V y 10 Ah de ion litio
Peso del cargador	9.9 lb. (4,5 kg)

LISTA DE EMPAQUE

NOMBRE DE LA PIEZA	CANTIDAD
Cargador	1
Manual del operador	1

DESCRIPCIÓN

DESCRIPTION DU CHARGEUR (Fig. 1)



INDICADORES LED: indican el estado del cargador. Hay tres indicadores LED bicolors verde/rojo.

CONECTOR DE CARGA: para conectar la unidad a la cortadora de césped

COLGADOR: colgador para el conector de carga.

OPERACIÓN

El cargador está diseñado para cargar baterías EGO Power+ que estén instaladas en la cortadora de césped eléctrica con radio de giro cero EGO ZT4200L/ZT4200L-FC

⚠ ADVERTENCIA: No use el cargador en exteriores ni lo exponga a condiciones de humedad. Si entra agua al cargador aumentará el riesgo de descarga eléctrica.

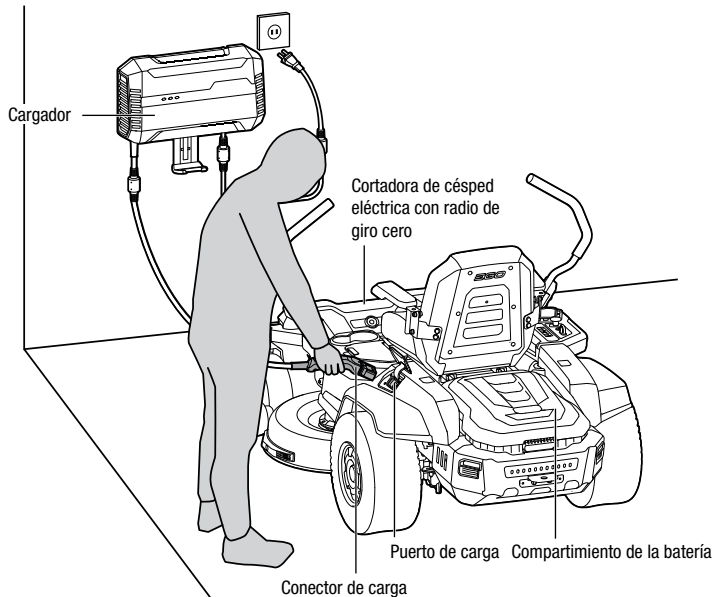
AVISO: Los paquetes de baterías de iones de litio se envían parcialmente cargados. Antes de usarlo por primera vez, cárguelo completamente.

1. Alinee las costillas en relieve del paquete de batería con la ranura de montaje ubicada en el compartimiento de la batería de la cortadora de césped. Deslice el paquete de batería hacia abajo sobre la cortadora de césped. Asegúrese de que los paquetes de batería estén firmemente sujetos a la cortadora de césped. Enchufe el conector de carga en el puerto de carga de la cortadora de césped.
2. Conecte el cargador a la fuente de alimentación (120 V~, 60 Hz). Los tres indicadores LED se iluminarán brevemente en verde, indicando que el cargador está funcionando correctamente.
3. El cargador se comunicará con los paquetes de batería para evaluar el estado de los mismos. Cuando los paquetes de batería cumplan con las condiciones del proceso de carga, el cargador comenzará a cargar los paquetes de batería y los tres indicadores LED ubicados en el cargador se iluminarán en verde en secuencia, de izquierda a derecha. El ventilador del cargador funcionará continuamente para enfriar el cargador.
4. Cuando los paquetes de batería estén completamente cargados, los tres indicadores LED dejarán de alternar y se iluminarán en verde continuo. El indicador de alimentación de los paquetes de batería se apagará. Espere hasta que el ventilador de enfriamiento se detenga, retire el conector de carga de la cortadora de césped y desconecte el cargador de la fuente de alimentación.

AVISO:

- Un tiempo de funcionamiento considerablemente reducido luego de haber cargado el paquete de baterías completamente indica que las baterías están por cumplir su vida útil y deben reemplazarse.
- Es posible que el cargador se caliente durante la carga. Esto es parte del funcionamiento normal del cargador. Cargue la batería en un área bien ventilada.

2



ESTADO	INDICADORES LED DEL CARGADOR	INDICADOR DE ALIMENTACIÓN DEL PAQUETE DE BATERÍA	LUZ LED DE LA CORTADORA DE CÉSPED
Defectuoso	Todos los indicadores LED se iluminan en rojo continuo	Apagado	Se enciende en rojo continuo
Batería fría/caliente	El primer indicador LED parpadea en verde	Apagado	Se enciende en rojo continuo
Cargador frío/sobrecargado	El primer indicador LED se enciende en rojo continuo	Apagado	Se enciende en rojo continuo
Sobrecorriente de salida del cargador	Los dos primeros indicadores LED se encienden en rojo continuo	Apagado	Se enciende en rojo continuo
El ventilador del cargador está defectuoso	El primer indicador LED parpadea en rojo	Apagado	Se enciende en rojo continuo
Cargando	Se iluminan en verde en secuencia, de izquierda a derecha.	Parpadea en rojo, naranja y verde alternamente/ El último segmento parpadea en verde, el resto se ilumina en verde continuo	Indica el nivel de carga de las baterías insertadas totales.
Completamente cargado	Todos los indicadores LED se iluminan en verde continuo	Apagado	

CÓMO CARGAR UN PAQUETE DE BATERÍAS CALIENTE O FRÍO

Si el paquete de batería instalado en la cortadora de césped no está en el intervalo de temperatura normal, el primero de los tres indicadores LED parpadeará en verde. Cuando el paquete de batería se enfríe o se caliente hasta un intervalo de temperatura normal, el cargador comenzará automáticamente a cargar y los tres indicadores LED se iluminarán en secuencia normalmente.

COLGADOR

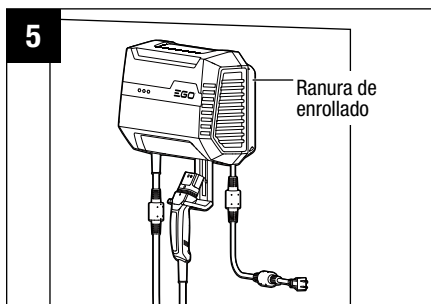
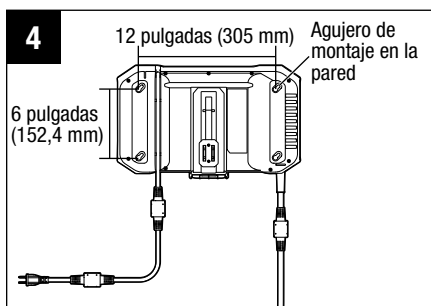
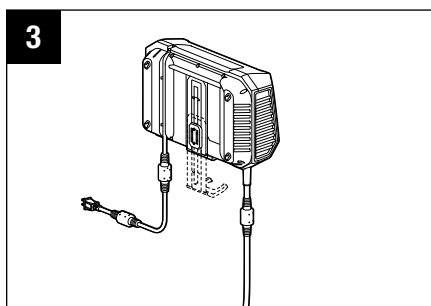
El colgador está diseñado para colgar el conector de carga. Se puede colocar en dos posiciones (Fig. 3). La posición más baja es para colgar el conector de carga (Fig. 1). La posición más alta es para permitir un almacenamiento conveniente.

AGUJEROS DE MONTAJE EN LA PARED

El cargador tiene cuatro agujeros de suspensión para permitir un almacenamiento conveniente (Fig. 4). Instale cuatro tornillos en la pared con una separación de 12 pulgadas (305 mm) horizontalmente y con una separación de 6 pulgadas (152,4 mm) verticalmente para colgar el cargador. Utilice tornillos suficientemente fuertes para sujetar el cargador.

RANURA DE ENROLLADO

Al colgar el cargador en la pared, habrá una ranura hacia la parte trasera del cargador. La ranura se puede utilizar como ranura de enrollado. Enrolle el cable de alimentación en la ranura de enrollado si es demasiado largo para utilizarlo convenientemente (Fig. 5).



MANTENIMIENTO

⚠ ADVERTENCIA: cuando haga servicio de ajustes y reparaciones, utilice únicamente piezas de repuesto idénticas. Es posible que la utilización de cualquier otra pieza cree un peligro o cause daños al producto. Para garantizar la seguridad y confiabilidad, todas las reparaciones deberán ser realizadas por un técnico de servicio calificado en un Centro de Servicio EGO.

⚠ ADVERTENCIA: No se recomienda utilizar aire comprimido seco como método de limpieza del cargador. Si la limpieza con aire comprimido es el único método que se puede aplicar, use siempre anteojos de seguridad o gafas de seguridad con escudos laterales. Si la operación genera polvo, use también una máscara antipolvo.

MANTENIMIENTO GENERAL

Evite el uso de solventes para limpiar las partes de plástico. La mayoría de los plásticos son susceptibles a diferentes tipos de solventes comerciales y pueden resultar dañados por el uso de dichos solventes. Utilice paños limpios para eliminar la suciedad, el polvo, el aceite, la grasa, etc.

⚠ ADVERTENCIA: No permita en ningún momento que las partes plásticas entren en contacto con líquidos de freno, gasolina, productos a base de petróleo, aceites penetrantes, etc. Los químicos pueden dañar, debilitar o destruir el plástico, lo que puede resultar en lesiones personales graves.

SOLUCIÓN DE PROBLEMAS

PROBLEMA	CAUSA	SOLUCIÓN
El cargador no funciona. Los tres indicadores LED se iluminan en verde continuo.	El paquete de batería o el cargador está defectuoso.	<ul style="list-style-type: none">■ Intente cargar un paquete de batería distinto.■ Desenchufe el cargador y espere hasta que los indicadores LED se apaguen y luego reconecte el enchufe a la fuente de alimentación.■ Si nada de lo anterior resuelve el problema, llame a Servicio al Cliente de EGO.
El cargador no funciona y el primer indicador LED parpadea en verde	El paquete de batería está demasiado caliente o demasiado frío.	Deje que el paquete de batería se enfríe o se caliente. El proceso de carga comenzará cuando el paquete de batería regrese a la temperatura normal.
El cargador no funciona y el primer indicador LED se enciende en rojo continuo.	Cargador frío/sobrecargado	Desenchufe el cargador y espere hasta que se enfríe o se caliente, y luego reconecte el enchufe a la fuente de alimentación.

PROBLEMA	CAUSA	SOLUCIÓN
El cargador no funciona y los dos primeros indicadores LED se encienden en rojo continuo.	Sobrecorriente de salida del cargador	Desenchufe el cargador y luego reconecte el enchufe a la fuente de alimentación. Si no funciona, llame a Servicio al Cliente de EGO.
El cargador no funciona y el primer indicador LED parpadea en rojo.	El ventilador del cargador está bloqueado o defectuoso.	Desenchufe el cargador, agite ligeramente el cargador y luego reconecte el cargador entre la fuente de alimentación y la cortadora de césped para ver si el ventilador del cargador funciona normalmente. Si no funciona, llame a Servicio al Cliente de EGO.
El cargador no funciona y todos los indicadores LED están apagados.	<ul style="list-style-type: none"> ■ Mala conexión entre el paquete de batería y la cortadora de césped. ■ El cargador está defectuoso. 	<ul style="list-style-type: none"> ■ Pruebe a retirar y reinsertar el paquete de batería en la cortadora de césped. ■ Desenchufe el cargador y luego reconecte el enchufe a la fuente de alimentación. Si no funciona, llame a Servicio al Cliente de EGO.

GARANTÍA

POLÍTICA DE GARANTÍA

Garantía limitada de 5 años en equipos de energía para exteriores y energía portátil EGO POWER+ para uso doméstico personal.

Garantía limitada de 3 años en paquetes de batería y cargadores del Sistema EGO POWER+ para uso personal doméstico. Se aplica una garantía extendida adicional de 2 años para la batería de 10,0 Ah, tanto si se vende por separado (núm. de modelo BA5600T) como si se incluye con cualquier herramienta, si se registra dentro del plazo de 90 días después de su compra. Garantía limitada de 5 años en el cargador CHV1600, diseñado para utilizarse con la cortadora de césped con asiento con radio de giro cero para uso personal doméstico.

Garantía limitada de 2 años/1 año en equipos de energía para exteriores, energía portátil, paquetes de baterías y cargadores EGO para uso profesional y comercial.

Los períodos de garantía detallados por productos se pueden encontrar en línea en <http://egopowerplus.com/warranty-policy>.

Sírvase contactar a Servicio al Cliente de EGO llamando gratis al 800-346-9876 (800-EGO-ZTRM) en cualquier momento en que tenga preguntas o reclamos bajo garantía.

GARANTÍA LIMITADA DE SERVICIO

Los productos EGO están garantizados contra defectos de material o de fabricación a partir de la fecha de compra original al por menor durante el período de garantía aplicable. El producto defectuoso será reparado gratuitamente.

- a) Esta garantía se aplica solo al comprador original a un minorista EGO autorizado y no se podrá transferir. Los minoristas EGO autorizados se identifican en línea en <http://egopowerplus.com/warranty-policy>
- b) El período de garantía para productos reacondicionados o certificados de fábrica que se utilizan para fines residenciales es de 1 año, para fines industriales, profesionales o comerciales es de 90 días.

- c) El período de garantía para las piezas de mantenimiento de rutina, tales como, pero sin limitarse a, asiento de cortadora de césped con asiento, ruedas, llantas, ruedas anticorte al ras, disco de freno, bloque de fricción, cuchillas, cabezales de orilladora, espadas de cadena, cadenas de sierra, correas, barras rascadoras, paletas de caucho, barrenas, zapatas antideslizantes, boquillas de soplador y todos los demás accesorios EGO, es de 90 días para fines residenciales y 30 días para fines industriales, profesionales o comerciales. Estas piezas están cubiertas durante 90/30 días contra defectos de fabricación en condiciones de trabajo normales.
- d) Esta garantía queda nula si el producto se ha puesto en alquiler.
- e) Esta garantía no cubre daños producto de modificaciones, alteraciones o reparaciones no autorizadas.
- f) Esta garantía solo cubre defectos que surjan del uso normal y no cubre el mal funcionamiento, las fallas ni los defectos que resulten del mal uso, el abuso (que incluye la sobrecarga del producto más allá de su capacidad y sumergirlo en agua o en cualquier otro líquido), accidentes, negligencia o falta de instalación adecuada y mantenimiento o almacenamiento inadecuados.
- g) Esta garantía no cubre el deterioro normal del acabado exterior, incluidos, entre otros, rayones, abolladuras, trozos de pintura o cualquier corrosión o decoloración producida por el calor o limpiadores químicos y abrasivos.

CÓMO OBTENER EL SERVICIO

Para obtener el servicio de garantía, póngase en contacto con Servicio al Cliente de EGO de manera gratuita al **800-346-9876 (800-EGO-ZTRM)**. Cuando pida un servicio cubierto por la garantía, debe presentar el recibo con la fecha original de venta. Un centro de servicio autorizado será seleccionado para reparar el producto de acuerdo con los términos establecidos en la garantía. Cuando lleve el producto al centro de servicio autorizado, es posible que deba hacer un pequeño depósito cuando deje la herramienta. Este depósito se reembolsará cuando se considere que el servicio de reparación se haya cubierto con la garantía.

LIMITACIONES ADICIONALES

En la medida en que la ley aplicable lo permita, se deniegan todas las garantías implícitas, inclusive las garantías de COMERCIALIZADIDAD o IDONEIDAD PARA UN PROPÓSITO ESPECÍFICO. Todas las garantías implícitas, inclusive las garantías de comerciabilidad o idoneidad para un propósito específico, que no se puedan denegar bajo la ley estatal, están limitadas al período de garantía aplicable definido al comienzo de este artículo.

Chervon North America no se hará responsable por daños directos, indirectos, accidentales o resultantes.

Algunos estados no permiten limitaciones con respecto a la duración de una garantía implícita y/o no permiten la exclusión o limitación de daños accidentales o resultantes, de modo que las limitaciones antes descritas podrían no aplicarse en su caso.

Esta garantía le otorga derechos legales específicos, pero podría tener también otros derechos que varían según el estado.

Para obtener el servicio al cliente, póngase en contacto con nosotros de manera gratuita al: **800-346-9876 (800-EGO-ZTRM)** o visite: **EGOPOWERPLUS.COM**
EGO Customer Service, 769 SEWARD AVE NW / Suite 102 Grand Rapids, MI 49504

