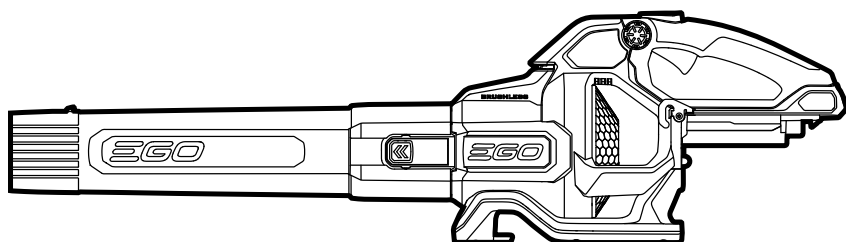


EGO™

POWER⁺ BLOWER



OPERATOR'S MANUAL

56-VOLT LITHIUM-ION CORDLESS BLOWER

MODEL NUMBER LB5800

Français p. 25

Español p. 51

Notice: The blower is intended for household or commercial use.

⚠ WARNING: To reduce the risk of injury, the user must read and understand the Operator's Manual before using this product. Save these instructions for future reference.



TABLE OF CONTENTS

Safety Guidelines	4
Important Safety Instructions	5-10
Introduction	10
Specifications	11
Packing List	11
Recommended Accessories	11
Description	12
Assembly	13-15
Operation	16-19
Maintenance	20
Troubleshooting	21
Warranty	22-23

READ ALL INSTRUCTIONS!



READ & UNDERSTAND
OPERATOR'S MANUAL

⚠ WARNING: Some dust created by power sanding, sawing, grinding, drilling and other construction activities contains chemicals known to the state of California to cause cancer, birth defects or other reproductive harm. Some examples of these chemicals are:

- Lead from lead-based paints,
- Crystalline silica from bricks and cement and other masonry products, and
- Arsenic and chromium from chemically-treated lumber.

Your risk from these exposures varies, depending on how often you do this type of work. To reduce your exposure to these chemical: work in a well-ventilated area, and work with approved safety equipment, such as those dust masks that are specially designed to filter out microscopic particles.

SAFETY GUIDELINES

SAFETY SYMBOLS

The purpose of safety symbols is to attract your attention to possible dangers. The safety symbols and the explanations with them deserve your careful attention and understanding. The symbol warnings do not, by themselves, eliminate any danger. The instructions and warnings they give are no substitutes for proper accident prevention measures.

⚠ WARNING: Be sure to read and understand all safety instructions in this Operator's Manual, including all safety alert symbols such as "**DANGER**," "**WARNING**," and "**CAUTION**" before using this tool. Failure to following all instructions listed below may result in electric shock, fire, and/or serious personal injury.

DAMAGE PREVENTION AND INFORMATION MESSAGES

These inform the user of important information and/or instructions that could lead to equipment or other property damage if they are not followed. Each message is preceded by the word "NOTICE", as in the example below:

NOTICE: Equipment and/or property damage may result if these instructions are not followed.




⚠ WARNING: The operation of any power tools can result in foreign objects being thrown into your eyes, which can result in severe eye damage. Before beginning power tool operation, always wear safety goggles or safety glasses with side shields and a full face shield when needed. We recommend a Wide Vision Safety Mask for use over eyeglasses or standard safety glasses with side shields. Always use eye protection which is marked to comply with ANSI Z87.1.

IMPORTANT SAFETY INSTRUCTIONS

This page depicts and describes safety symbols that may appear on this product. Read, understand, and follow all instructions on the machine before attempting to assemble and operate.

	<p>Safety Alert</p>	<p>Precautions that involve your safety.</p>
	<p>Read & Understand Operator's Manual</p>	<p>To reduce the risk of injury, user must read and understand operator's manual before using this product.</p>
	<p>Long Hair</p>	<p>Failure to keep long hair away from the air intake could result in personal injury.</p>
	<p>Loose Clothing</p>	<p>Failure to keep loose clothing from being drawn into air intake vents could result in personal injury.</p>
	<p>Eye Protection</p>	<p>Always wear safety goggles or safety glasses with side shields and a full face shield when operating this product.</p>
	<p>Blower Tube</p>	<p>Do not operate without tube in place.</p>
	<p>Keep Bystanders Away</p>	<p>Keep all bystanders at least 50 ft. away.</p>
	<p>Recycle Symbols</p>	<p>This product uses lithium-ion (Li-ion) batteries. Local, state, or federal laws may prohibit disposal of batteries in ordinary trash. Consult your local waste authority for information regarding available recycling and/or disposal options.</p>

IPX4	Ingress Protection Degree	Protection from splashing water
V	Volt	Voltage
min	Minutes	Time
CFM	Cubic Feet Per Minute	Air volume
MPH	Miles Per Hour	Air velocity
	Direct Current	Type or a characteristic of current

When using an electrical appliance, basic precautions should always be followed, including the following:

READ ALL INSTRUCTIONS BEFORE USING THIS PRODUCT!

⚠ DANGER: People with electronic devices, such as pacemakers, should consult their physician(s) before using this product. Operation of electrical equipment in close proximity to a heart pacemaker could cause interference or failure of the pacemaker.

⚠ WARNING: To ensure safety and reliability, all repairs should be performed by a qualified service technician.

⚠ WARNING: To reduce risk of fire, electric shock, or injury:

- **Know your power blower. Read the instruction manual carefully. Learn the blower's applications and limitations, as well as the specific potential hazards related to this blower.** Following this rule will reduce the risk of electric shock, fire, or serious injury.
- **Do not allow the blower to be used as a toy.** Close attention is necessary when used by or near children.
- **Use only as described in this manual. Use only manufacturer's recommended attachments.**
- **If the blower is not working as it should, has been dropped, damaged, left outdoors, or dropped into water, return it to a service center.**
- **Do not handle the charger, including charger plug, or charger terminals with wet hands.**

- **Do not put any object into any openings. Do not use with any opening blocked; keep openings free of dust, lint, hair, and anything that may reduce air flow.**
- **Keep hair, loose clothing, fingers, and all parts of body away from openings and moving parts.** Loose clothes, jewelry, or long hair can be drawn into air vents.
- **Secure long hair above shoulder level to prevent entanglement in moving parts.**
- **Use extra care when cleaning on stairs.**
- **Do not charge the battery pack outdoors.**
- **Use only the charger supplied by the manufacturer to recharge.**
- **Do not leave blower unattended when the battery is inserted.** Remove the battery when the blower is not in use and before servicing.
- **Do not operate blowers in explosive atmospheres, such as in the presence of flammable liquids, gases, or dust.** Blowers create sparks which may ignite the dust or fumes.
- **Use the battery-operated blower only with specifically designated battery pack.** Use of any other batteries may create a risk of fire.
- Use only with battery packs and chargers listed below.

BATTERY PACK	CHARGER
BA1120, BA1400, BA2240 BA2800, BA4200	CH5500 CH2100

- **Stay alert, watch what you are doing and use common sense when operating a power blower. Do not use the blower while tired, upset, or under the influence of drugs, alcohol, or medication.** A moment of inattention while operating blowers may result in serious personal injury.
- **Avoid accidental starting. Be sure that the switch is in the locked or off position before inserting the battery pack.** Carrying blowers with your finger on the switch or inserting the battery pack into a blower with the switch on invites accidents.

- **Use safety equipment. Always wear eye protection.** Dust mask, non-skid safety shoes, hard hat, or hearing protection must be used for appropriate conditions.
- **Do not use on a ladder, rooftop, tree, or other unstable support.** Stable footing on a solid surface enables better control of the blower in unexpected situations.
- Always take care of your feet, children, or pets around you when removing the battery pack from blower. **Serious injury could result if the battery pack falls. NEVER remove the battery pack when in a high position.**
- **Do not use the blower if switch does not turn it on or off.** A blower that cannot be controlled with the switch is dangerous and must be repaired.
- **Disconnect the battery pack from the blower before making any adjustments, changing accessories, or storing the blower.** Such preventive safety measures reduce the risk of starting the blower accidentally.
- **Turn off all controls before removing the battery.**
- **DO NOT** attempt to clear clogs from the unit without first removing the battery.
- **Check for misalignment or binding of moving parts, breakage of parts, and any other condition that may affect the blower's operation. If damaged, have the blower serviced before using.** Many accidents are caused by poorly maintained blowers.
- **Keep the blower and its handle dry, clean and free from oil and grease.** Always use a clean cloth when cleaning. Never use brake fluids, gasoline, petroleum-based products, or any strong solvents to clean your blower. Following this rule will reduce the risk of loss of control and deterioration of the enclosure plastic.
- **Always wear safety glasses with side shields.** Everyday glasses have only impact resistant lenses. They are NOT safety glasses. Following this rule will reduce the risk of eye injury.
- **Always wear eye protection with side shields marked to comply with ANSI Z87.1 along with hearing protection when operating this equipment.**
- **Protect your lungs. Wear a face or dust mask if the operation is dusty.** Following this rule will reduce the risk of serious personal injury.
- **Protect your hearing. Wear hearing protection during extended periods of operation.** Following this rule will reduce the risk of serious personal injury.

- **Battery powered blowers do not have to be plugged into an electrical outlet; therefore, they are always in operating condition. Be aware of possible hazards when not using your battery powered blower or when changing accessories.** Following this rule will reduce the risk of electric shock, fire, or serious personal injury.
- **Wear heavy long pants, long sleeves and boots.** Avoid loose garments or jewelry that could get caught in moving parts of the machine or its motor.
- **Do not operate the equipment while barefoot or when wearing sandals or similar lightweight footwear.** Wear protective footwear that will protect your feet and improve your footing on slippery surfaces.
- **Do not incinerate the appliance even if it is severely damaged.** The batteries can explode in a fire.
- **Batteries can explode in the presence of a source of ignition, such as a pilot light.** To reduce the risk of serious personal injury, never use any cordless product in the presence of open flame. An exploded battery can propel debris and chemicals. If exposed, flush with water immediately.
- **Keep firm footing and balance. Do not overreach.** Overreaching can result in loss of balance.
- **Check the work area before each use.** Remove all objects such as rocks, broken glass, nails, wire, or string which can be thrown by or become entangled in the machine.
- **Do not point the blower tube in the direction of people or pets.**
- **Never run the unit without the proper equipment attached.** Always ensure that the blower tube is installed.
- **When not in use, the blower should be stored indoors in a dry, secure place out of the reach of children.**
- **Keep all bystanders, children, and pets at least 50 ft. away.**
- **Blower service must be performed only by qualified repair personnel.** Service or maintenance performed by unqualified personnel may result in a risk of injury.
- **When servicing a blower, use only identical replacement parts.** Follow instructions in the Maintenance section of this manual. Use of unauthorized parts or failure to follow Maintenance Instructions may create a risk of shock or injury.

- **Never use the blower near fires or hot ashes.** Use near fires or ashes can spread fires and result in serious injury and/or property damage.
- **Never use blower to spread chemicals, fertilizers, or any other toxic substances.** Spreading these substances could result in serious injury to the operator or bystanders.
- **Never place the blower on any surface, except a hard, clean surface when the engine is running.** Gravel, sand, and other debris can be picked up by the air intake and thrown at the operator or bystanders, causing possible serious injuries.
- **Save these instructions.** Refer to them frequently and use them to instruct others who may use this tool. If you loan this tool to someone else, also loan these instructions to them to prevent misuse of the product and possible injury.

SAVE THESE INSTRUCTIONS!

INTRODUCTION

Congratulations on your selection of the new 56V Lithium-ion powered blower. It has been designed, engineered and manufactured to give you the best possible dependability and performance.

Should you experience any problem you cannot easily remedy, please contact EGO customer service center 1-855-EGO-5656.

This manual contains important information on to the safe assembly, operation and maintenance of your product Read it carefully before using the product. Keep this manual handy so you can refer to it at any time.

SERIAL NUMBER _____ DATE OF PURCHASE _____

YOU SHOULD RECORD BOTH SERIAL NUMBER AND DATE OF PURCHASE AND KEEP THEM IN A SAFE PLACE FOR FUTURE REFERENCE

SPECIFICATIONS

Voltage	56 V
Maximum air volume at nozzle	580 CFM
Maximum air velocity	145 MPH (without tapered nozzle)
	168 MPH (with tapered nozzle)
Maximum blowing force	18.0 Newtons
Approximate run time (With EGO BA2800 56V Battery 5.0 Ah)	200 min (Low speed)
	30 min (High Speed)
	18 min (Boost mode)
Weight (without battery pack)	4.77 lb. (2.17 kg)

PACKING LIST

PART NAME	QUANTITY
Blower	1
Blower tube	1
Tapered nozzle	1
Flat nozzle	1
Operator's manual	1

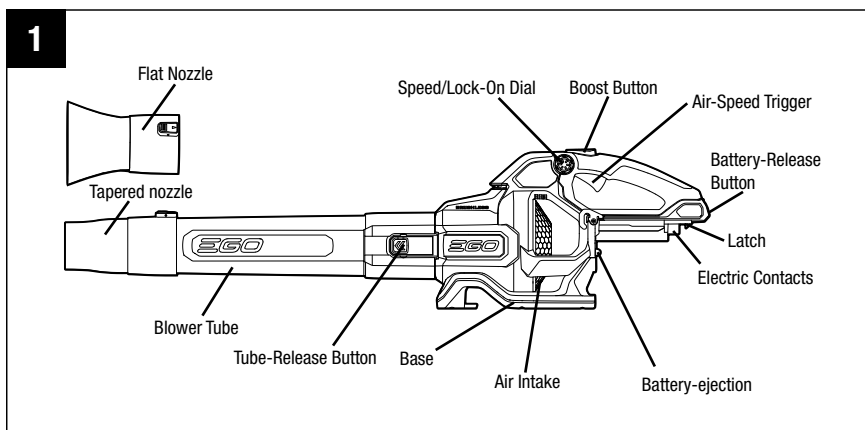
RECOMMENDED ACCESSORIES

PART NAME	MODEL NUMBER
Spread nozzle	AN5801
Shoulder strap	AP5300

DESCRIPTION

KNOW YOUR BLOWER (Fig. 1)

The safe use of this product requires an understanding of the information on the tool and in this instruction manual, as well as knowledge of the project you are attempting. Before use of this product, familiarize yourself with all operating features and safety rules.



Air-Speed Trigger	Starts/stops the blower and adjusts the air speed
Speed/Lock-On Dial	Starts or stops the blower; locks the blower at any speed
Boost Button	Amplifies the air velocity to the maximum
Battery-Release Button	Releases the battery pack from the blower
Latch	Locks the battery pack when installing it on the blower
Tube-Release Button	Releases the tube from the blower
Tapered Nozzle	Further concentrates the air flow and increases the air speed
Flat Nozzle	Further spreads the air flow and increases the cleaning area

ASSEMBLY

⚠ WARNING: If any parts are damaged or missing, do not operate this product until the parts are replaced. Use of this product with damaged or missing parts could result in serious personal injury.

⚠ WARNING: Do not attempt to modify this product or create accessories not recommended for use with this blower. Any such alteration or modification is misuse and could result in a hazardous condition leading to possible serious personal injury.

⚠ WARNING: Always remove the battery pack from the product when you are assembling parts, making adjustments, cleaning, or when the product is not in use.

UNPACKING

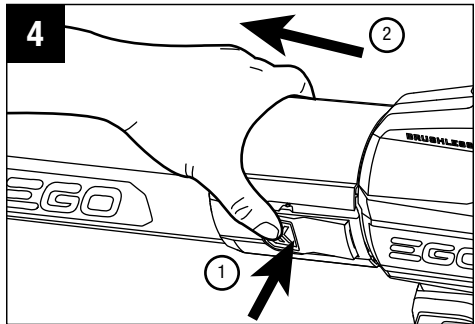
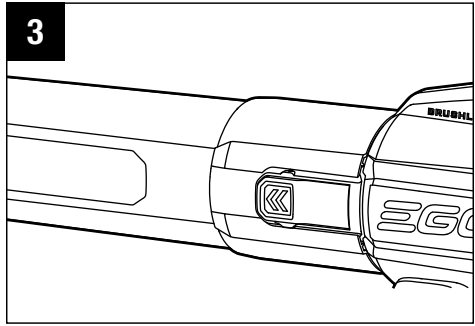
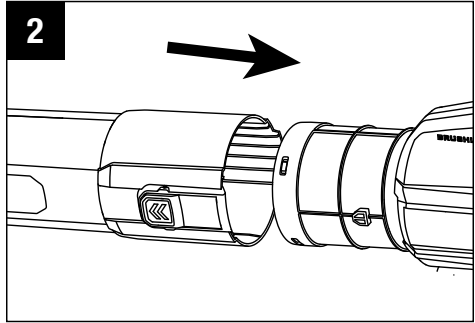
- This product requires assembly.
- Carefully remove the product and any accessories from the box. Make sure that all items listed in the packing list are included.

⚠ WARNING: Do not use this product if any parts on the packing list are already assembled to your product when you unpack it. Parts on this list are not assembled to the product by the manufacturer and require customer installation. Use of a product that may have been improperly assembled could result in serious personal injury.

- Inspect the tool carefully to make sure no breakage or damage occurred during shipping.
- Do not discard the packing material until you have carefully inspected and satisfactorily operated the tool.
- If any parts are damaged or missing, please return the product to the place of purchase.

ASSEMBLING THE BLOWER TUBE

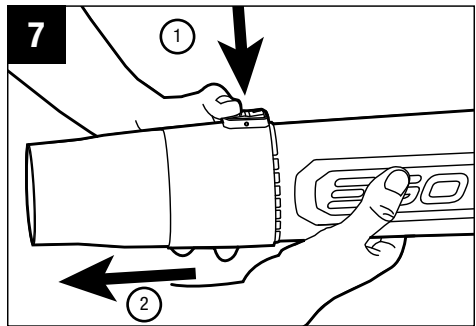
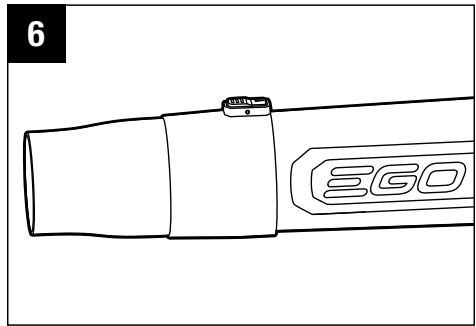
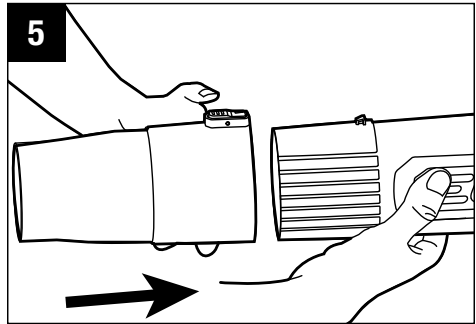
1. Remove the battery.
2. Align the groove in the tube with the knob on the blower housing. Push the tube onto the blower housing until the latch snaps into place (Fig. 2 & 3).
3. To remove the tube, press and hold the tube-release button to disengage the latch, then pull the tube straight from the blower (Fig. 4).



ASSEMBLING THE BLOWER TAPERED/FLAT NOZZLE

1. Remove the battery.
2. Align the groove in the tapered nozzle with the knob on the tube. Push the nozzle onto the tube until it snaps into place (Fig. 5 & 6).
3. To remove the tapered nozzle, press and hold the nozzle-release button to disengage the latch, then pull the nozzle straight from the blower (Fig. 7).

Follow the same sequence to assemble or remove the flat nozzle.



OPERATION

⚠ WARNING: Do not allow familiarity with this product to make you careless. Remember that a careless fraction of a second is sufficient to inflict serious injury.

⚠ WARNING: Always wear eye protection marked to comply with ANSI Z87.1, along with hearing protection. Failure to do so could result in objects being thrown into your eyes and other possibly serious injuries.

⚠ WARNING: Do not use any attachments or accessories not recommended by the manufacturer of this product. The use of attachments or accessories not recommended can result in serious personal injury.

Before each use, inspect the entire product for damaged, missing, or loose parts, such as screws, nuts, bolts, caps, etc. Tighten securely all fasteners and caps and do not operate this product until all missing or damaged parts are replaced.

APPLICATION

You may use this product for the purposes listed below:

- Clearing hard surface, such as driveways and walkways
- Keeping decks and driveways free from leaves and pine needles

TO INSTALL/REMOVE BATTERY PACK (Fig. 8)

CHARGE BEFORE FIRST USE.

⚠ WARNING: Always remove the battery pack from the product when you are assembling parts, making adjustments, cleaning, or when not in use. Removing the battery pack will prevent accidental starting that could cause serious personal injury.

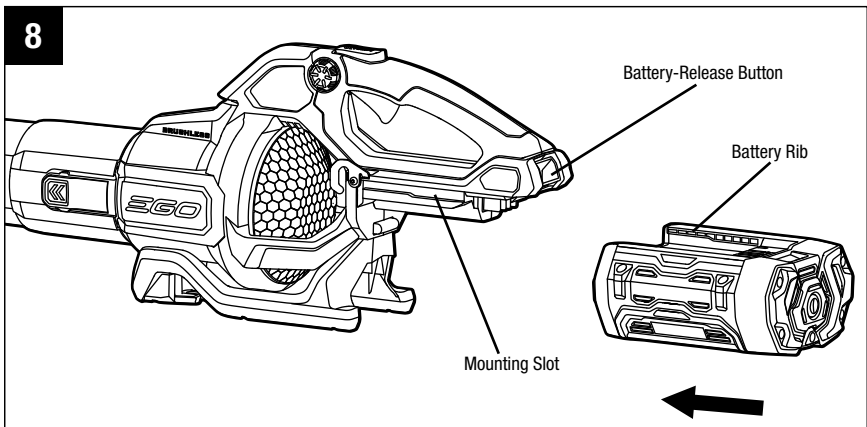
TO INSTALL

- Align the ribs of the battery pack with the mounting slots in the blower's battery port.
- Press the battery pack into the battery port until it snaps into position.

TO REMOVE

⚠ WARNING: Always take care to note the location of your feet, children, or pets when pressing the battery-release button. Serious injury could result if the battery pack falls. NEVER remove the battery pack when in a high location.

- Press the battery-release button; the battery pack will disengage from the latch and the ejection mechanism will assist with removal.
- Remove the battery pack from the blower.



TO START/STOP THE BLOWER (Fig. 9)

AIR-SPEED TRIGGER ONLY

- Depress the air-speed trigger to turn on the blower.
- The air speed of the blower is controlled with the variable speed trigger. More pressure on the trigger results in higher blowing speeds; less pressure on the trigger results in lower blowing speeds. Adjust the speed to suit the task at hand.
- Release the air-speed trigger to turn off the blower.

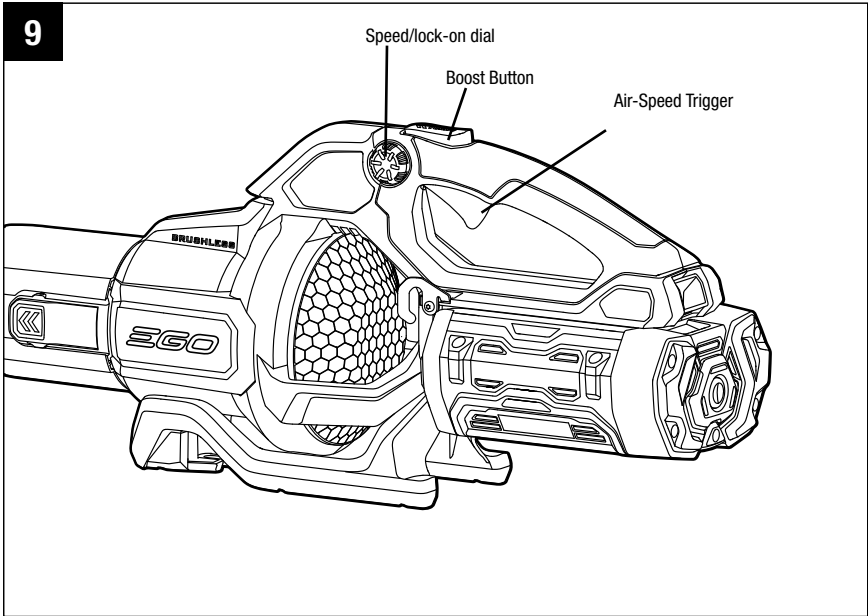
SPEED/LOCK-ON DIAL ONLY

The blower can be locked at any speed with the speed lock-on dial.

- Turn the speed/lock-on dial clockwise to start the blower. The air speed will increase as the dial is rotated clockwise.
- To decrease the air speed, turn the speed/lock-on dial counterclockwise.
- Keep turning the speed/lock-on dial counterclockwise to the off position to stop the blower.

NOTICE: If the speed/lock-on dial is not turned back to the off position before the battery is removed, the blower will not start when a fully charged battery is installed. This is a protection feature to help prevent accidental startup. Depress the air-speed trigger to deactivate the protection and start the blower.

Press the boost button while working to temporarily increase the air speed to the maximum level. The blower will resume the previous speed when the boost button is released.



OPERATING THE BLOWER

- To keep from scattering debris, blow around the outer edges of a debris pile. Never blow directly into the center of a pile.
- To reduce sound levels, limit the number of pieces of power equipment used at any one time.
- Use rakes and brooms to loosen debris before blowing. In dusty conditions, slightly dampen surfaces if water is available.
- Conserve water by using power blowers instead of hoses for many lawn and garden applications, including areas such as gutters, screens, patios, grills, porches, and gardens.
- Watch out for children, pets, open windows, or freshly washed cars, and blow debris safely away.
- After using blowers or other equipment, clean up! Dispose of debris properly.

MAINTENANCE

⚠ WARNING: When servicing, use only identical replacement parts. Use of any other parts may create a hazard or cause product damage. To ensure safety and reliability, all repairs should be performed by a qualified service technician.

⚠ WARNING: To avoid serious personal injury, always remove the battery pack from the product when cleaning or performing any maintenance.

GENERAL MAINTENANCE

Avoid using solvents when cleaning plastic parts. Most plastics are susceptible to damage from various types of commercial solvents and may be damaged by their use. Use clean cloths to remove dirt, dust, oil, grease, etc.

⚠ WARNING: Do not at any time let brake fluids, gasoline, petroleum-based products, penetrating oils, etc., come in contact with plastic parts. Chemicals can damage, weaken or destroy plastic which may result in serious personal injury.

STORAGE

- Clean all foreign material from the air intakes of the blower.
- Store the blower indoors in a place that is inaccessible to children. Keep it away from corrosive agents, such as garden chemicals and de-icing salts.

TROUBLESHOOTING

PROBLEM	CAUSE	SOLUTION
Blower doesn't work.	<ul style="list-style-type: none">▪ The battery pack is not attached to the blower.▪ No electrical contact between the blower and battery.▪ The battery pack is depleted.▪ The battery pack or blower is too hot.▪ The speed/lock-on dial was not turned back to the off position before the battery was removed.	<ul style="list-style-type: none">▪ Attach the battery pack to the blower.▪ Remove battery, check contacts and reinstall the battery pack.▪ Charge the battery pack.▪ Cool the battery pack and blower until their temperature drops below 152°F (67°C).▪ Depress the air-speed trigger to deactivate the protection and start the blower.
The air velocity decreases obviously.	<ul style="list-style-type: none">▪ Excessive wearing of motor fan.▪ The air intake is blocked by debris.	<ul style="list-style-type: none">▪ Contact EGO service center for repair.▪ Remove the battery pack, clear the debris.



WARRANTY

EGO WARRANTY POLICY

5 year limited warranty on EGO outdoor power equipment and 3 year limited warranty on EGO POWER+ System battery packs and chargers.

Please contact EGO Customer Service Toll-Free at 1-855-EGO-5656 any time you have questions or warranty claims.

LIMITED SERVICE WARRANTY

FOR FIVE YEARS from the date of original retail purchase, this EGO product is warranted against defects in material or workmanship. Defective product will receive free repair.

FOR THREE YEARS from the date of original retail purchase, the EGO Power+ System battery pack and charger are warranted against defects in material or workmanship. Defective product will receive free repair.

- a) This warranty applies only to the original purchaser from an authorized EGO retailer and may not be transferred. Authorized EGO retailers are identified online at <http://egopowerplus.com/pages/warranty-policy>.
- b) The warranty period for any EGO product, battery pack and charger used for industrial, professional or commercial purpose is one year.
- c) The warranty period for reconditioned or refurbished products used for residential purpose is 1 year, for industrial, professional or commercial purpose is 90 days.
- d) The warranty period for routine maintenance parts, such as, but not limited to, blades, trimmer heads, chain bars, saw chains, belts, scraper bars, blower nozzles, and all other EGO accessories is 90 days for residential purpose, 30 days for industrial, professional or commercial purpose. These parts are covered for 90/30 days from manufacture defects in normal working conditions.
- e) This warranty is void if the product has been used for rental purpose.
- f) This warranty does not cover the damage resulting from modification, alteration or unauthorized repair.

- g) This warranty only covers defects arising under normal usage and does not cover any malfunction, failure or defect resulting from misuse, abuse (including overloading of the product beyond capacity and immersion in water or other liquid), accidents, neglect or lack of proper installation, and improper maintenance or storage.
- h) This warranty does not cover normal deterioration of the exterior finish, including but not limited to scratches, dents, paint chips, or to any corrosion or discoloring by heat, abrasive and chemical cleaners.

HOW TO OBTAIN SERVICE

For warranty service, please contact EGO customer service toll-free at **1-855-EGO-5656**. When requesting warranty service, you must present the original dated sales receipt. An authorized service center will be selected to repair the product according to the stated warranty terms. When bringing your product to the authorized service center, there may be a small deposit that will be required when dropping off your tool. This deposit is refundable when the repair service is deemed to be covered under warranty.

ADDITIONAL LIMITATIONS

To the extent permitted by applicable law, all implied warranties, including warranties of MERCHANTABILITY or FITNESS FOR A PARTICULAR PURPOSE, are disclaimed. Any implied warranties, including warranties of merchantability or fitness for a particular purpose, that cannot be disclaimed under state law are limited to five years from the date of purchase for outdoor power equipment and three years from date of purchase for battery pack and charger.

Chervon North America is not responsible for direct, indirect, incidental or consequential damages.

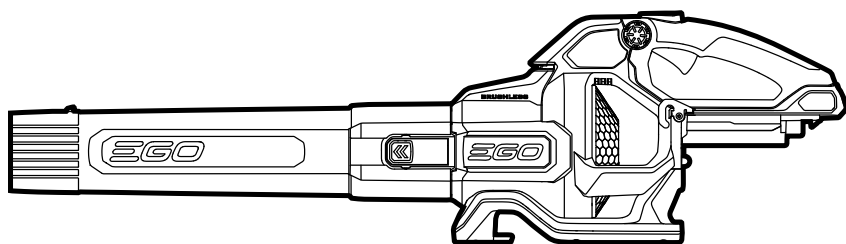
Some states do not allow limitations on how long an implied warranty lasts and/or do not allow the exclusion or limitation of incidental or consequential damages, so the above limitations may not apply to you.

This warranty gives you specific legal rights, and you may also have other rights which vary from state to state.

For customer service contact us toll-free at: **1-855-EGO-5656** or **EGOPOWERPLUS.COM**
EGO Customer Service, 120 Ionia Street SW / Suite 102 Grand Rapids, MI 49503

EGO™

POWER⁺ BLOWER



GUIDE D'UTILISATION

SOUFFLEUR SANS FIL AU LITHIUM-ION DE 56 V

NUMÉRO DE MODÈLE LB5800

Avertissement : Le souffleur est conçu pour un usage résidentiel ou commercial.

⚠ AVERTISSEMENT : Afin de réduire les risques de blessure, l'utilisateur doit lire et comprendre le guide d'utilisation avant d'utiliser ce produit. Conservez le présent guide afin de pouvoir le consulter ultérieurement.

TABLE DES MATIÈRES

Lignes directrices sur la sécurité	28
Consignes de sécurité	29-35
Introduction	35
Caractéristiques techniques	36
Liste des pièces contenues dans l'emballage	36
Accessoires recommandés	36
Description	37
Assemblage	38-40
Fonctionnement	41-44
Entretien	45
Dépannage	46
Garantie	47-48

LISEZ TOUTES LES INSTRUCTIONS!



ASSUREZ-VOUS DE LIRE ET DE COMPRENDRE
LE GUIDE D'UTILISATION

⚠ AVERTISSEMENT : La poussière créée par le ponçage, le sciage, le meulage, le perçage et autres activités de construction peut contenir des produits chimiques connus dans l'État de la Californie comme étant la cause de cancer, d'anomalies congénitales et d'autres problèmes du système reproducteur. Voici des exemples de ces produits chimiques :

- le plomb contenu dans la peinture au plomb;
- la silice cristallisée contenue dans les briques, le ciment et d'autres produits de maçonnerie; et
- l'arsenic et le chrome contenus dans le bois d'œuvre traité avec des produits chimiques.

Les risques liés à l'exposition à ces produits varient en fonction de la fréquence à laquelle vous effectuez ce type de travaux. Pour réduire votre exposition à ces produits chimiques, travaillez dans une zone bien ventilée et en portant l'équipement de sécurité approuvé, comme un masque antipoussières conçu spécialement pour ne pas laisser passer les particules microscopiques.

LIGNES DIRECTRICES SUR LA SÉCURITÉ

SYMBOLES DE SÉCURITÉ

L'objectif des symboles de sécurité est d'attirer votre attention sur les dangers potentiels. Vous devez examiner attentivement et bien comprendre les symboles de sécurité et les explications qui les accompagnent. Les symboles d'avertissement en tant que tels n'éliminent pas le danger. Les consignes et les avertissements qui y sont associés ne remplacent en aucun cas les mesures préventives adéquates.

⚠ AVERTISSEMENT : Assurez-vous de lire et de comprendre toutes les consignes de sécurité présentées dans le guide d'utilisation, notamment tous les symboles d'alerte de sécurité indiqués par «**DANGER**», «**AVERTISSEMENT**», et «**MISE EN GARDE**» avant d'utiliser cet outil. Le fait de ne pas respecter toutes les consignes de sécurité ci-dessous peut causer une décharge électrique, un incendie ou des blessures graves.

MESSAGES D'INFORMATION ET DE PRÉVENTION DES DOMMAGES

Ces messages fournissent à l'utilisateur de l'information et des consignes importantes. Les ignorer pourrait occasionner des dommages à l'équipement ou d'autres dommages matériels. Le mot «**AVERTISSEMENT**» précède chaque message, comme dans l'exemple ci-dessous :

AVIS : Ne pas suivre ces consignes pourrait occasionner des dommages à l'équipement ou d'autres dommages matériels.





⚠ AVERTISSEMENT : L'utilisation de tout outil électrique peut entraîner la projection de corps étrangers dans les yeux et ainsi causer des lésions oculaires graves. Avant d'utiliser un outil électrique, veuillez à toujours porter des lunettes de sécurité couvrantes ou à écrans latéraux, ou un masque complet au besoin. Nous recommandons le port d'un masque de sécurité panoramique par-dessus les lunettes ou de lunettes de sécurité standard avec écrans latéraux. Portez toujours des lunettes de sécurité conformes à la norme ANSI Z87.1.

CONSIGNES DE SÉCURITÉ IMPORTANTES

Vous trouverez ci-dessous les symboles de sécurité qui peuvent être présents sur le produit, accompagnés de leur description.

Vous devez lire, comprendre et suivre toutes les instructions présentes sur l'appareil avant d'entamer son assemblage ou sa manipulation.

	Alerte de sécurité	Précautions destinées à assurer votre sécurité.
	Assurez-vous de lire et de comprendre le guide d'utilisation	Afin de réduire les risques de blessure, l'utilisateur doit lire et comprendre le guide d'utilisation avant d'utiliser ce produit.
	Cheveux longs	Veillez à garder les cheveux longs loin de l'entrée d'air pour éviter les blessures.
	Vêtements amples	Empêchez les vêtements amples d'être aspirés dans les événements d'entrée d'air pour éviter les blessures.
	Lunettes de sécurité	Lorsque vous utilisez ce produit, portez toujours des lunettes de protection ou de sécurité à écrans latéraux et un masque de protection complet.
	Tube du souffleur	Ne faites pas fonctionner cet appareil sans son tube.
	Maintenir toute personne à l'écart	Maintenez toute personne à une distance d'au moins 15 mètres.

	Symboles de recyclage	Le produit fonctionne à l'aide de piles au lithium-ion (Li-ion). La législation locale, provinciale ou fédérale peut interdire la mise au rebut des piles dans les ordures ménagères. Consultez l'organisme local de gestion des déchets au sujet des possibilités offertes en ce qui concerne la mise au rebut ou le recyclage.
IPX4	Indice de protection	Protection contre les éclaboussures d'eau
V	Volt	Tension
min	Minutes	Durée
CFM	Pieds cubes par minute	Débit d'air
MPH	Kilomètres à l'heure	Vitesse de l'air
	Courant continu	Type de courant ou caractéristique de courant

Lorsque vous utilisez des appareils électriques, vous devez toujours suivre les consignes de sécurité élémentaires suivantes :

LISEZ TOUTES LES INSTRUCTIONS AVANT D'UTILISER CE PRODUIT!

⚠ DANGER : Les personnes qui portent des dispositifs électroniques, comme un stimulateur cardiaque, doivent consulter leur médecin avant d'utiliser le produit. L'utilisation d'équipement électrique à proximité d'un stimulateur cardiaque peut causer des interférences et l'arrêt du stimulateur.

⚠ AVERTISSEMENT : Pour garantir une utilisation sécuritaire du produit et sa fiabilité, toutes les réparations doivent être effectuées par un technicien qualifié.

⚠ AVERTISSEMENT : Afin de réduire les risques d'incendie, de choc électrique et de blessures :

- **Familiarisez-vous avec votre souffleur électrique. Lisez attentivement toutes les instructions du guide. Prenez connaissance des usages et des limites du souffleur, ainsi que des risques potentiels propres à ce souffleur.** En suivant cette règle, vous réduirez les risques de choc électrique, d'incendie et de blessures graves.

- **Le souffleur ne doit jamais être utilisé comme un jouet.** L'utilisation par des enfants ou à proximité de ceux-ci doit faire l'objet d'une attention particulière.
- **Utilisez cet appareil conformément aux consignes de ce guide. N'utilisez que des pièces recommandées par le fabricant.**
- **Si le souffleur ne fonctionne pas comme il devrait, s'il a été échappé, endommagé, laissé à l'extérieur ou s'il est tombé dans l'eau, retournez-le à un centre de service.**
- **Évitez de manipuler le chargeur, y compris la prise et les bornes du chargeur, avec des mains humides.**
- **N'introduisez aucun objet dans les ouvertures. Cessez l'emploi si une ouverture est bloquée. Assurez-vous que les ouvertures ne sont pas obstruées par de la poussière, des fibres, des cheveux ou toute autre matière qui pourrait réduire le débit d'air.**
- **Maintenez vos cheveux, vos vêtements, vos doigts et toute autre partie du corps à l'écart des ouvertures et des pièces mobiles.** Les vêtements, bijoux et cheveux longs peuvent être aspirés dans les entrées d'air.
- **Attachez vos cheveux plus haut que les épaules afin d'éviter qu'ils s'emmêlent dans les pièces mobiles.**
- **Faites preuve de vigilance lorsque vous utilisez cet appareil dans des escaliers.**
- **Évitez de charger le bloc-pile à l'extérieur.**
- **Rechargez le bloc-pile uniquement au moyen du chargeur fourni par le fabricant.**
- **Ne laissez pas le souffleur sans surveillance lorsque le bloc-pile est en place.** Retirez le bloc-pile lorsque le souffleur ne sert pas et avant d'en faire l'entretien.
- **Ne faites pas fonctionner le souffleur dans une atmosphère explosive, par exemple en présence de liquides inflammables, de gaz ou de poussières.** Les souffleurs provoquent des étincelles qui peuvent enflammer la poussière et les émanations.
- **Utilisez le souffleur à piles uniquement avec le bloc-pile expressément indiqué.** L'utilisation de tout autre bloc-pile peut constituer un risque d'incendie.

- Utilisez le produit uniquement avec les blocs-piles et les chargeurs indiqués ci-dessous.

BLOC-PILE	CHARGEUR
BA1120, BA1400, BA2240 BA2800, BA4200	CH5500 CH2100

- **Restez vigilant, soyez attentif à ce que vous faites et faites preuve de bon sens lorsque vous utilisez un souffleur électrique. N'utilisez pas le souffleur si vous êtes fatigué, troublé ou sous l'influence de drogues, d'alcool ou de médicaments.** Un moment d'inattention lorsque vous utilisez le souffleur peut occasionner des blessures graves.
- **Évitez les mises en marche accidentelles. Veillez à ce que l'interrupteur soit bloqué ou en position d'arrêt avant d'insérer le bloc-pile dans l'appareil.** Transporter un souffleur en ayant le doigt sur l'interrupteur ou y insérer un bloc-pile avec l'interrupteur en position de marche est propice aux accidents.
- **Portez de l'équipement de sécurité. Portez toujours des lunettes de sécurité.** Le port d'un masque antipoussières, de chaussures de protection antidérapantes ou de protecteurs auriculaires est de rigueur pour assurer des conditions adéquates d'utilisation.
- **N'utilisez pas ce produit alors que vous êtes sur une échelle, sur un toit, dans un arbre ou sur tout autre support instable.** Un équilibre et une surface stables permettent de mieux contrôler le souffleur en cas de situations inattendues.
- Soyez toujours conscient de l'emplacement de vos pieds, de vos enfants et de vos animaux de compagnie lorsque vous retirez le bloc-pile du souffleur. **La chute du bloc-pile pourrait causer des blessures graves. Ne retirez JAMAIS le bloc-pile lorsque vous vous trouvez dans une position surélevée.**
- **N'utilisez pas le souffleur si l'interrupteur ne permet pas de le mettre en marche ou de l'arrêter.** Tout souffleur qui ne peut être contrôlé au moyen de l'interrupteur est dangereux et doit être réparé.
- **Retirez le bloc-pile du souffleur avant de procéder à des ajustements, de changer d'accessoire ou de ranger l'appareil.** De telles mesures de sécurité préventives réduisent les risques de mise en marche accidentelle du souffleur.
- **Mettez toutes les commandes à la position d'arrêt avant de retirer le bloc-pile de l'appareil.**

- **NE TENTEZ PAS** de dégager ce qui obstrue l'appareil sans avoir d'abord retiré le bloc-pile.
- **Vérifiez l'alignement des pièces mobiles, leur fixation et leur état et recherchez tout autre problème pouvant nuire au fonctionnement du souffleur. Si le souffleur est endommagé, faites-le réparer avant de l'utiliser.** Bon nombre d'accidents sont dus au mauvais entretien du souffleur.
- **Maintenez le souffleur et ses poignées secs, propres et exempts d'huile ou de graisse.** Servez-vous toujours d'un linge propre pour nettoyer l'appareil. Ne nettoyez jamais l'appareil avec du liquide pour freins, de l'essence, des produits à base de pétrole ou des solvants forts. En suivant cette règle, vous réduirez les risques de perte de contrôle et de détérioration du boîtier en plastique de l'appareil.
- **Portez toujours des lunettes de protection munies d'écrans latéraux.** Les lentilles des lunettes ordinaires ne sont résistantes qu'aux chocs. Ce ne sont PAS des lunettes de sécurité. En suivant cette règle, vous réduirez les risques de blessures aux yeux.
- **Lorsque vous utilisez cet appareil, portez systématiquement une protection oculaire munie d'écrans latéraux conforme à la norme ANSI Z87.1, ainsi que des protecteurs auriculaires.**
- **Protégez vos poumons. Portez un masque de protection ou un masque antipoussières lorsque l'endroit est poussiéreux.** En suivant cette règle, vous réduirez les risques de blessures graves.
- **Protégez vos oreilles. Portez des protecteurs auriculaires lorsque vous vous servez de l'appareil pour une période prolongée.** En suivant cette règle, vous réduirez les risques de blessures graves.
- **Les souffleurs à piles n'ont pas besoin d'être branchés sur une prise de courant. Par conséquent, ils sont toujours prêts à l'emploi. Prenez conscience des dangers potentiels lorsque vous ne vous servez pas du souffleur à piles ou au moment de changer les accessoires.** En suivant cette règle, vous réduirez les risques de choc électrique, d'incendie et de blessures graves.
- **Portez des pantalons longs et épais, des manches longues et des bottes.** Évitez de porter des vêtements amples et des bijoux qui pourraient se coincer dans les pièces mobiles de l'appareil ou dans son moteur.

- **N'utilisez pas cet appareil les pieds nus, avec des sandales ou avec tout autre type de chaussures légères.** Portez des chaussures de sécurité qui protégeront vos pieds et amélioreront votre stabilité sur les surfaces glissantes.
- **N'incinerez pas l'appareil, même s'il est sérieusement endommagé.** Les piles risquent d'exploser si elles sont en contact avec le feu.
- **Les piles peuvent exploser en présence d'une source d'inflammation, comme une flamme pilote.** Pour réduire les risques de blessures graves, n'utilisez jamais un appareil sans fil près d'une flamme nue. Lorsqu'un bloc-pile explose, des débris et des produits chimiques en sont expulsés. En cas d'exposition, rincez à l'eau immédiatement.
- **Conservez une stabilité et un équilibre adéquats. Ne tendez pas les bras trop loin.** Un étirement exagéré pourrait vous faire perdre l'équilibre.
- **Avant chaque utilisation, vérifiez l'état de l'aire de travail.** Enlevez tous les objets, comme les cailloux, éclats de verre, clous, câbles ou fils, qui pourraient être projetés par l'appareil ou y rester coincés.
- **Ne dirigez pas le tube du souffleur vers les gens ou les animaux.**
- **Ne faites jamais fonctionner l'appareil sans les accessoires adéquats.** Assurez-vous toujours que le tube du souffleur est bien installé.
- **Lorsqu'il ne sert pas, le souffleur doit être rangé à l'intérieur dans un endroit sec et sécuritaire hors de portée des enfants.**
- **Maintenez les gens, enfants et animaux à une distance d'au moins 15 mètres.**
- **La réparation et l'entretien du souffleur doivent être effectués par un réparateur qualifié.** L'exécution de l'entretien et des réparations par une personne non qualifiée peut entraîner des risques de blessures.
- **Lorsque vous procédez à l'entretien du souffleur, utilisez uniquement des pièces de remplacement identiques à celles d'origine.** Suivez les instructions dans la section sur l'entretien de ce guide. L'utilisation de pièces non autorisées et le non-respect des instructions d'entretien peuvent entraîner des risques de choc et de blessures.
- **N'utilisez jamais le souffleur près d'un feu ou de cendres chaudes.** Un usage à proximité d'un feu ou de cendres risque de propager les flammes et d'occasionner des blessures graves et des dommages.

- **Ne vous servez jamais du souffleur pour disperser des produits chimiques, des engrais ou toute autre substance toxique.** La dispersion de ces substances pourrait causer des blessures graves à l'utilisateur et aux gens à proximité.
- **Ne placez jamais le souffleur sur une surface qui n'est pas propre et solide lorsque le moteur tourne.** Du gravier, du sable et d'autres débris risquent d'être aspirés dans l'entrée d'air et propulsés vers l'utilisateur et les gens à proximité et de leur causer des blessures graves.
- **Conservez ces instructions.** Consultez-les régulièrement et servez-vous-en pour expliquer le fonctionnement de l'outil à d'autres personnes qui l'utiliseraient. Si vous prêtez l'outil à une personne, prêtez-lui également ces instructions afin de prévenir un usage inapproprié de l'outil et des blessures potentielles.

CONSERVEZ CES INSTRUCTIONS!

INTRODUCTION

Nous vous félicitons d'avoir choisi le nouveau souffleur au lithium-ion de 56 V. Cet outil a été conçu et fabriqué afin de vous offrir la meilleure fiabilité et le meilleur rendement possible.


Si vous éprouvez un problème que vous n'arrivez pas à régler facilement, veuillez communiquer avec le centre de service à la clientèle d'EGO au 1 855 EGO-5656.

Le présent guide contient des renseignements importants pour assembler, utiliser et entretenir en toute sécurité votre produit. Lisez-le soigneusement avant d'utiliser le produit. Conservez ce guide à portée de main afin de pouvoir le consulter à tout moment.

NUMÉRO DE SÉRIE _____ DATE D'ACHAT _____

NOUS VOUS RECOMMANDONS DE NOTER LE NUMÉRO DE SÉRIE ET LA DATE D'ACHAT ET DE LES CONSERVER EN LIEU SÛR AFIN DE POUVOIR LES CONSULTER ULTÉRIEUREMENT.

CARACTÉRISTIQUES TECHNIQUES

Tension	56 V 
Débit d'air maximal à la buse	16 m ³ /min
Vitesse maximale de l'air	233 km/h (sans la buse conique)
	270 km/h (avec la buse conique)
Force de soufflage maximale	18.0 N
Durée de fonctionnement approximative (avec pile EGO BA2800 de 56 V et de 5 Ah)	200 minutes (basse vitesse)
	30 minutes (vitesse élevée)
	18 minutes (mode Boost)
Poids (sans le bloc-pile)	2,17 kg (4,77 lb)

LISTE DES PIÈCES CONTENUES DANS L'EMBALLAGE

NOM DE PIÈCE	QUANTITÉ
Souffleur	1
Tube du souffleur	1
Buse conique	1
Buse de diffusion	1
Guide d'utilisation	1

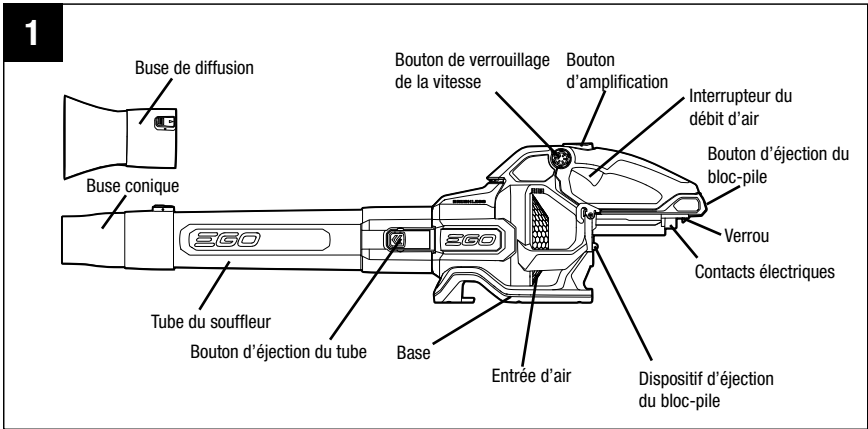
ACCESSOIRES RECOMMANDÉS

NOM DE PIÈCE	NUMÉRO DE MODÈLE
Buse conique	AN5801
Bandoulière	AP5300

DESCRIPTION

FAMILIARISEZ-VOUS AVEC LE SOUFFLEUR (fig. 1)

Pour utiliser ce produit en toute sécurité, vous devez comprendre les renseignements figurant sur le produit et dans les instructions du guide et connaître le projet que vous entreprenez. Avant d'utiliser ce produit, familiarisez-vous avec toutes les caractéristiques de fonctionnement et consignes de sécurité.



Interrupteur du débit d'air	Met en marche et arrête le souffleur, règle le débit d'air
Bouton de verrouillage de la vitesse	Met en marche et arrête le souffleur Maintient le souffleur en marche à n'importe quelle vitesse
Bouton d'amplification	Amplifie la vitesse de l'air au maximum
Bouton d'éjection du bloc-pile	Permet de dégager le bloc-pile du souffleur
Verrou	Permet de bloquer le bloc-pile en place lorsque celui-ci est installé dans le souffleur
Bouton d'éjection du tube	Permet de dégager le tube du souffleur
Buse conique	Concentre davantage le débit d'air et augmente sa vitesse
Buse de diffusion	Diffuse le débit d'air davantage et étend la zone de nettoyage

ASSEMBLAGE

⚠ AVERTISSEMENT : S'il y a des pièces manquantes ou endommagées, ne tentez pas d'utiliser ce produit tant que ces pièces n'auront pas été remplacées. L'utilisation de ce produit avec des pièces endommagées ou manquantes peut causer des blessures graves.

⚠ AVERTISSEMENT : Ne tentez pas de modifier ce produit ni de créer des accessoires qui ne sont pas recommandés pour ce souffleur. Toute altération ou modification de ce type constitue un usage inapproprié et peut engendrer une situation dangereuse susceptible de causer des blessures graves.

⚠ AVERTISSEMENT : Enlevez toujours le bloc-pile de l'outil lorsque vous assemblez des pièces, procédez à des ajustements ou à son nettoyage ou lorsque le produit n'est pas utilisé.

DÉBALLAGE

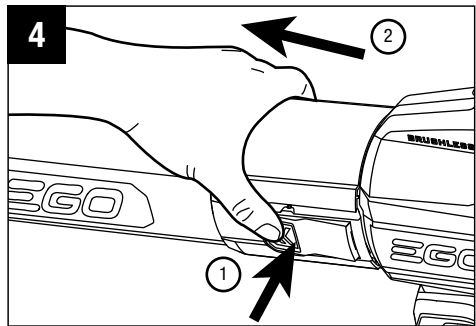
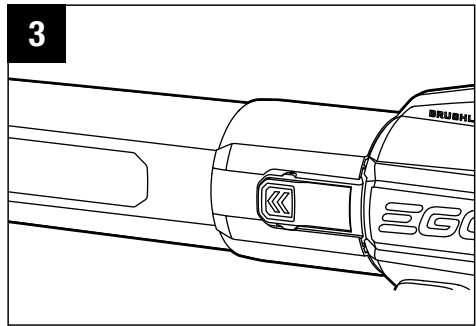
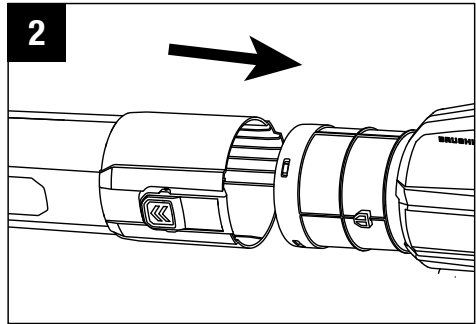
- Ce produit doit être assemblé.
- Retirez soigneusement l'outil et toutes les pièces de l'emballage. Assurez-vous que tous les éléments mentionnés sur la liste des pièces sont présents.

⚠ AVERTISSEMENT : N'utilisez pas ce produit si l'une ou l'autre des pièces figurant sur la liste des pièces est déjà assemblée à votre produit lors du déballage. Les pièces de cette liste ne sont pas assemblées au produit par le fabricant et doivent être installées par le client. L'utilisation d'un produit mal assemblé pourrait occasionner des blessures graves.

- Inspectez l'outil soigneusement pour vérifier qu'aucun bris ou dommage ne s'est produit au cours de l'expédition.
- Ne jetez pas le matériel d'emballage avant d'avoir inspecté soigneusement l'outil et de l'avoir fait fonctionner de manière satisfaisante.
- S'il y a des pièces manquantes ou endommagées, veuillez retourner l'outil à l'endroit où vous l'avez acheté.

ASSEMBLAGE DU TUBE DU SOUFFLEUR

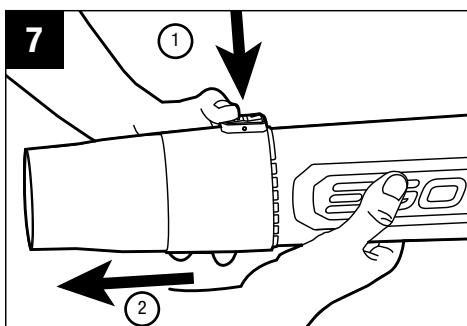
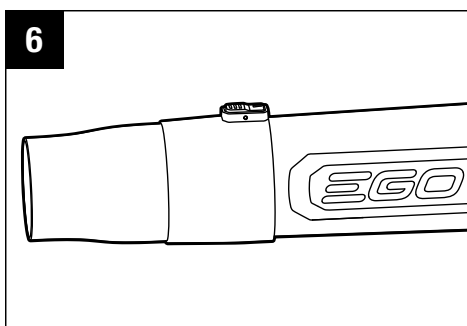
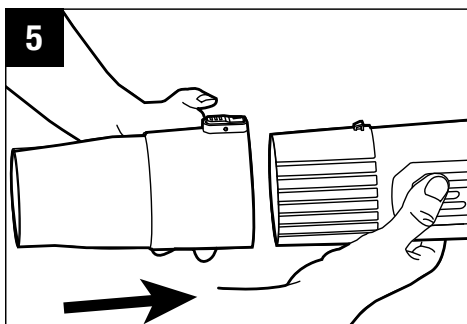
1. Retirez le bloc-pile.
2. Alignez l'encoche du tube sur le bouton situé sur le boîtier du souffleur. Insérez le tube dans le boîtier du souffleur jusqu'à ce que le verrou s'enclenche (fig. 2 et 3).
3. Pour retirer le tube, appuyez sur le bouton d'éjection du tube et maintenez-le enfoncé; celui-ci se dégagera du verrou. Retirez ensuite le tube du souffleur en le tenant bien droit (fig. 4).



ASSEMBLAGE DE LA BUSE CONIQUE OU PLATE DU SOUFFLEUR

1. Retirez le bloc-pile.
2. Alignez l'encoche de la buse conique sur le bouton situé sur le tube. Fixez la buse au tube jusqu'à ce qu'elle s'enclenche (fig. 5 et 6).
3. Pour retirer la buse conique, appuyez sur le bouton d'éjection de la buse et maintenez-le enfoncé; celui-ci se dégagera du verrou. Retirez ensuite la buse du souffleur en la tenant bien droite (fig. 7).

Répétez les mêmes étapes pour assembler ou retirer la buse de diffusion à jet plat.



FONCTIONNEMENT

⚠ AVERTISSEMENT : Ne laissez pas votre bonne connaissance du produit vous rendre négligent. N'oubliez pas, il suffit d'être négligent une fraction de seconde pour se blesser gravement.

⚠ AVERTISSEMENT : Portez toujours des lunettes de sécurité avec écrans latéraux conformes à la norme ANSI Z87.1, ainsi que des protecteurs d'oreilles. Sinon, vous pourriez recevoir des débris dans les yeux et vous blesser grièvement.

⚠ AVERTISSEMENT : N'utilisez pas de pièces ni d'accessoires qui ne sont pas recommandés par le fabricant de ce produit. L'utilisation de pièces ou d'accessoires non recommandés peut occasionner des blessures graves.

Avant chaque utilisation, inspectez l'intégralité du produit pour vérifier s'il y a des pièces endommagées, manquantes ou lâches, comme des vis, des écrous, des boulons, des capuchons, etc. Fixez fermement toutes les attaches et tous les capuchons et ne faites pas fonctionner ce produit avant que toutes les pièces manquantes ou endommagées aient été remplacées.

UTILISATION

Vous pouvez utiliser ce produit pour les types de travaux listés ci-dessous :

- Déblayer les surfaces dures comme les entrées de cour et les trottoirs.
- Enlever les feuilles et les aiguilles de pin des terrasses et des entrées de cour.

INSTALLATION ET RETRAIT DU BLOC-PILE (fig. 8)

CHARGEZ LE BLOC-PILE AVANT LE PREMIER EMPLOI.

⚠ AVERTISSEMENT : Enlevez toujours le bloc-pile de l'outil lorsque vous assemblez des pièces, procédez à des ajustements ou à son nettoyage ou lorsque l'article n'est pas utilisé. Le retrait du bloc-pile permet de prévenir une mise en marche accidentelle pouvant occasionner des blessures graves.

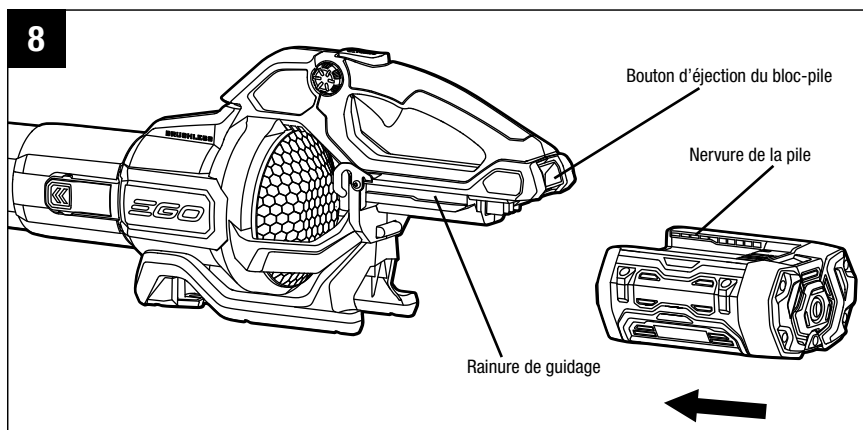
INSTALLATION

- Align the ribs of the battery pack with the mounting slots in the blower's battery port.
- Press the battery pack into the battery port until it snaps into position.

RETRAIT

⚠ AVERTISSEMENT : Soyez toujours conscient de l'emplacement de vos pieds, de vos enfants et de vos animaux de compagnie lorsque vous appuyez sur le bouton d'éjection du bloc-pile. La chute du bloc-pile pourrait causer des blessures graves. Ne retirez JAMAIS le bloc-pile lorsque vous vous trouvez dans une position surélevée.

- Appuyez sur le bouton d'éjection du bloc-pile; celui-ci se dégagera du verrou et le mécanisme d'éjection en facilitera le retrait.
- Retirez le bloc-pile du souffleur.



POUR METTRE EN MARCHÉ ET ARRÊTER LE SOUFFLEUR (fig. 9)

INTERRUPTEUR DU DÉBIT D'AIR SEULEMENT

- Appuyez sur l'interrupteur du débit d'air pour mettre en marche le souffleur.
- La gâchette à vitesse variable permet de contrôler le débit d'air du souffleur. Une pression plus grande sur la gâchette procure une vitesse de soufflage plus élevée tandis qu'une pression plus faible sur la gâchette amène une vitesse de soufflage réduite. Réglez la vitesse en fonction de la tâche à accomplir.
- Relâchez l'interrupteur du débit d'air pour arrêter le souffleur.

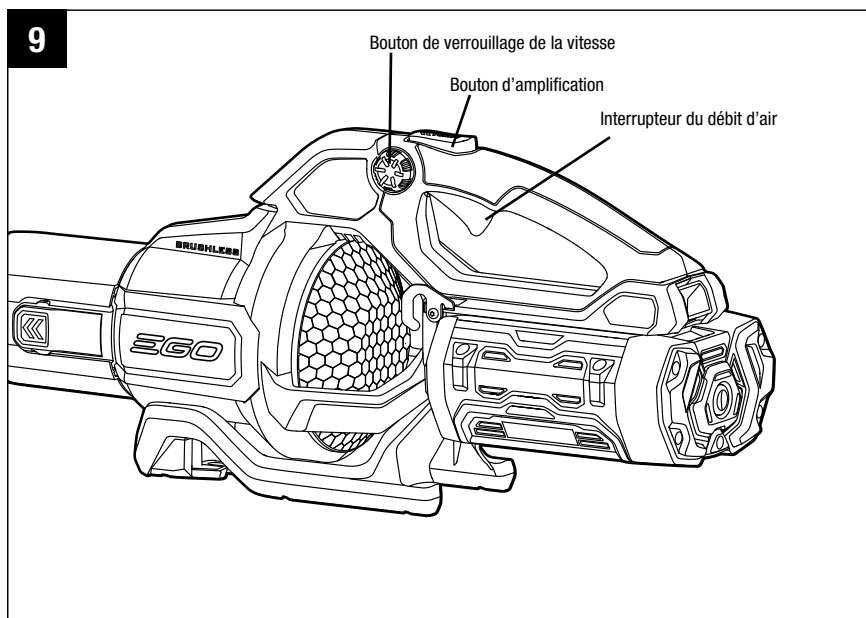
BOUTON DE VERROUILLAGE DE LA VITESSE SEULEMENT

Le souffleur peut être maintenu en marche à toutes les vitesses au moyen du bouton de verrouillage de la vitesse.

- Tournez le bouton de verrouillage de la vitesse dans le sens des aiguilles d'une montre pour mettre en marche le souffleur. Le débit d'air augmentera à mesure que vous tournez le bouton dans le sens des aiguilles d'une montre.
- Pour diminuer le débit d'air, tournez le bouton de verrouillage de la vitesse dans le sens contraire des aiguilles d'une montre.
- Tournez le bouton de verrouillage de la vitesse dans le sens contraire des aiguilles d'une montre jusqu'à ce que le souffleur s'éteigne.

AVERTISSEMENT : Si le bouton de verrouillage de la vitesse n'est pas en position d'arrêt avant le retrait de la pile, le souffleur ne se mettra pas en marche même si une pile entièrement chargée est insérée. Il s'agit d'un dispositif de protection qui empêche la mise en marche accidentelle du souffleur. Appuyez sur l'interrupteur du débit d'air pour désactiver le dispositif de protection et mettre en marche le souffleur.

Appuyez sur le bouton d'amplification pendant l'utilisation afin d'augmenter temporairement la vitesse de l'air au niveau maximal. Le souffleur reviendra à sa vitesse initiale lorsque vous relâchez le bouton d'amplification.



FONCTIONNEMENT DU SOUFFLEUR

- Pour éviter de disperser les débris, soufflez le pourtour de la pile de débris. Ne dirigez jamais le souffleur directement au centre de la pile.
- Pour réduire les niveaux sonores, limitez le nombre de pièces d'équipement électrique utilisées simultanément.
- Servez-vous de râtaeux et de balais pour décompacter les débris avant de les souffler. Dans les endroits poussiéreux, humidifiez légèrement les surfaces si vous avez accès à de l'eau.
- Économisez l'eau en utilisant un souffleur électrique au lieu d'un tuyau d'arrosage pour effectuer bon nombre de tâches au parterre et au jardin, y compris pour le nettoyage des gouttières, moustiquaires, terrasses, grils, vérandas et jardins.
- Restez à l'affût des enfants, animaux, fenêtres ouvertes et voitures fraîchement lavées, et soufflez les débris à l'écart de façon sécuritaire.
- Suite à l'utilisation d'un souffleur ou de tout autre appareil, nettoyez-le! Jetez les débris de façon appropriée.

ENTRETIEN

⚠ AVERTISSEMENT : Lorsque vous procédez à l'entretien de l'outil, utilisez uniquement des pièces de remplacement identiques à celles d'origine. L'utilisation de toute autre pièce peut constituer un danger ou endommager le produit. Pour garantir une utilisation sécuritaire du produit et sa fiabilité, toutes les réparations doivent être effectuées par un technicien qualifié.

⚠ AVERTISSEMENT : Pour éviter des blessures graves, retirez toujours le bloc-pile avant de procéder à l'entretien ou au nettoyage de l'outil.

ENTRETIEN GÉNÉRAL

Évitez d'utiliser des solvants sur les pièces en plastique. La plupart des plastiques sont susceptibles d'être endommagés par divers types de solvants commerciaux. Utilisez un linge propre pour enlever la saleté, la poussière, l'huile, la graisse, etc.

⚠ AVERTISSEMENT : Ne laissez en aucun temps du liquide pour freins, de l'essence, des produits à base de pétrole, des huiles dégrippantes et autres produits de ce genre entrer en contact avec les pièces en plastique. Les produits chimiques peuvent endommager, affaiblir ou détruire le plastique et engendrer ainsi des risques de blessures graves.

RANGEMENT

- Nettoyez toute matière étrangère des entrées d'air du souffleur.
- Rangez le souffleur à l'intérieur, dans un endroit auquel les enfants n'ont pas accès. Rangez-le à l'écart des agents corrosifs, comme des produits chimiques de jardinage ou des sels de déglacage.

DÉPANNAGE

PROBLÈME	CAUSE	SOLUTION
Le souffleur ne fonctionne pas.	<ul style="list-style-type: none"> ■ Le bloc-pile n'est pas installé dans le souffleur. ■ Il n'y a pas de contact électrique entre le souffleur et le bloc-pile. ■ Le bloc-pile est déchargé. ■ Le bloc-pile ou le souffleur est trop chaud. ■ Le bouton de verrouillage de la vitesse n'a pas été remis en position d'arrêt avant le retrait de la pile. 	<ul style="list-style-type: none"> ■ Installez le bloc-pile dans le souffleur. ■ Retirez le bloc-pile, vérifiez les contacts électriques et réinstallez le bloc-pile. ■ Chargez le bloc-pile. ■ Laissez le bloc-piles et le souffleur refroidir jusqu'à une température inférieure à 67 °C. ■ Appuyez sur l'interrupteur du débit d'air pour désactiver le dispositif de protection et mettre en marche le souffleur.
La vitesse de l'air diminue de façon évidente.	<ul style="list-style-type: none"> ■ Usure excessive du ventilateur du moteur. ■ Des débris obstruent l'entrée d'air. 	<ul style="list-style-type: none"> ■ Communiquez avec le centre de services d'EGO pour faire réparer l'appareil. ■ Retirez le bloc-pile du souffleur, puis enlever les débris.

GARANTIE

POLITIQUE D'EGO EN MATIÈRE DE GARANTIE

Une garantie limitée de 5 ans est offerte pour l'équipement électrique d'extérieur EGO et une garantie limitée de 3 ans est offerte pour les chargeurs et les blocs-piles EGO POWER+.

Veillez communiquer avec le service à la clientèle d'EGO au 1 855 EGO-5656 (numéro sans frais) pour toute question sur les réclamations au titre de la garantie.

GARANTIE LIMITÉE

À compter de la date d'achat originale, ce produit EGO est garanti **PENDANT CINQ ANS** contre les défauts de matériaux et de fabrication. Les produits défectueux seront réparés gratuitement.

À compter de la date d'achat originale, le chargeur et le bloc-pile EGO POWER+ sont garantis **PENDANT TROIS ANS** contre les défauts de matériaux et de fabrication. Les produits défectueux seront réparés gratuitement.

- a) Cette garantie s'applique uniquement à l'acheteur initial s'étant procuré le produit chez un détaillant EGO autorisé et est non transférable. La liste des détaillants EGO autorisés est publiée en ligne sur le site <http://egopowerplus.com/pages/warranty-policy>.
- b) La période de garantie pour le bloc-pile, le chargeur ou tout produit EGO utilisés à des fins industrielles, professionnelles ou commerciales est de un an.
- c) La période de garantie pour les produits remis en état ou remis à neuf utilisés à des fins résidentielles est de 1 an, et de 90 jours lorsqu'ils sont utilisés à des fins industrielles, professionnelles ou commerciales.
- d) La période de garantie pour les pièces d'entretien régulier, y compris, sans s'y limiter, les lames, les têtes de taille-bordure, les guides-chaînes, les chaînes de scie, les courroies, les barres de raclage, les buses de souffleur, ainsi que tous les autres accessoires EGO, est de 90 jours lorsqu'elles sont utilisées à des fins résidentielles et de 30 jours lorsqu'elles sont utilisées à des fins industrielles, professionnelles ou commerciales. Ces pièces sont couvertes contre les défauts de fabrication pour une période de 90 jours ou de 30 jours si elles sont utilisées dans des conditions de travail normales.
- e) La présente garantie n'est pas valide si le produit a été utilisé aux fins de location.

- f) La présente garantie ne couvre pas les dommages résultant d'une modification, d'une altération ou d'une réparation non autorisée.
- g) Cette garantie couvre uniquement les défauts survenant dans des conditions normales d'utilisation et ne couvre aucun dysfonctionnement ou défaut ni aucune défaillance découlant d'un usage inapproprié ou abusif (notamment la surcharge du produit et son immersion dans l'eau ou dans tout autre liquide), d'un accident, d'une négligence, d'une installation inadéquate et de tout entretien ou entreposage inadéquat.
- h) La présente garantie ne couvre pas la détérioration normale du fini extérieur, notamment les rayures, les bosselures, les craquelures de la peinture ou toute corrosion ou décoloration résultant de la chaleur, de produits abrasifs ou de nettoyants chimiques.

RÉCLAMATION AU TITRE DE LA GARANTIE

Pour faire une réclamation au titre de la garantie, veuillez communiquer avec le service à la clientèle d'EGO au **1 855 EGO-5656** (numéro sans frais). Lorsque vous faites une réclamation au titre de la garantie, vous devez présenter le reçu de vente original. Un centre de service autorisé sera sélectionné pour la réparation du produit conformément aux conditions de garantie prescrites. Il se peut qu'un petit dépôt soit exigé lorsque vous laissez votre outil dans un centre de service autorisé. Ce dépôt est remboursable lorsque le service de réparation est considéré comme étant couvert par la garantie.

RESTRICTIONS SUPPLÉMENTAIRES

Dans les limites prescrites par la législation locale, toutes les garanties implicites, notamment les garanties de QUALITÉ MARCHANDE ou d'ADÉQUATION POUR UN USAGE PARTICULIER, sont non valides. Toute garantie implicite, notamment les garanties de qualité marchande ou d'adéquation pour un usage particulier, qui ne peut être déclinée en vertu de la législation provinciale est limitée à cinq (5) ans à compter de la date d'achat pour l'équipement électrique d'extérieur et à trois (3) ans à compter de la date d'achat pour les chargeurs et blocs-piles.

Chervon North America n'est pas responsable des dommages accessoires, consécutifs, indirects ou directs.

Certaines provinces et certains États n'autorisent pas les restrictions de durée de garantie implicite, ou l'exclusion ou la restriction des dommages consécutifs et accessoires; c'est pourquoi les restrictions ci-dessus peuvent ne pas s'appliquer à votre cas.

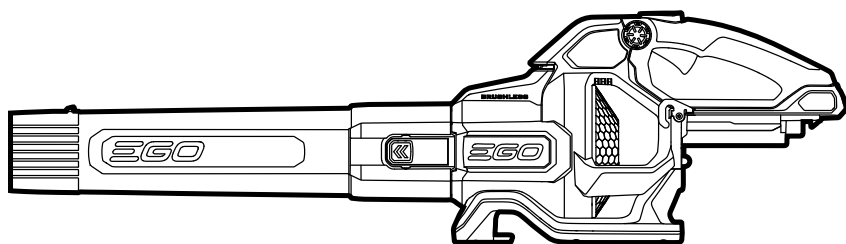


Cette garantie vous confère des droits précis. Il est possible que vous disposiez également d'autres droits, qui varient d'un État ou d'une province à l'autre.

Pour communiquer avec le service à la clientèle, veuillez composer le numéro sans frais suivant : **1 855 EGO-5656**. Vous pouvez également consulter le site **EGOPOWERPLUS.COM** ou écrire à EGO Customer Service, 120 Ionia Street SW, Suite 102, Grand Rapids, MI 49503, États-Unis.

EGO™

POWER⁺ BLOWER



MANUAL DEL OPERADOR

SOPLADOR INALÁMBRICO DE IONES DE LITIO DE 56 VOLTIOS

MODELO NÚMERO LB5800

Aviso: El soplador está destinado solo para uso doméstico o comercial.

⚠ ADVERTENCIA: para reducir el riesgo de lesiones, el usuario debe leer y comprender el Manual del usuario antes de usar este producto. Guarde estas instrucciones para consultarlas en el futuro.

ÍNDICE

Pautas de seguridad	54
Instrucciones importantes de seguridad	55-61
Introducción	61
Especificaciones	62
Lista del paquete	62
Accesorios recomendados	62
Descripción	63
Ensamblaje	64-66
Operación	67-70
Mantenimiento	71
Solución de problemas	72
Garantía	73-74

¡LEA TODAS LAS INSTRUCCIONES!



LEA Y COMPRENDA
EL MANUAL DEL OPERADOR

⚠ ADVERTENCIA: parte del polvo producto del lijado, aserrado, esmerilado, taladrado y otras actividades de construcción, contiene sustancias químicas que el estado de California reconoce como causantes de cáncer, defectos congénitos u otros daños al sistema reproductor. Algunos ejemplos de estos químicos son:

- Plomo de pinturas a base de plomo,
- Sílice cristalina de ladrillos, cemento y otros productos de mampostería y
- El arsénico y el cromo de la madera tratada químicamente.

El riesgo de sufrir estas exposiciones varía según la frecuencia con que realice este tipo de trabajo. Medidas para reducir la exposición a estas sustancias químicas: Trabaje en un área bien ventilada y con el equipo de seguridad aprobado, como las mascarillas antipolvo especialmente diseñadas para filtrar partículas microscópicas.

PAUTAS DE SEGURIDAD

SÍMBOLOS DE SEGURIDAD

El fin de los símbolos de seguridad es alertarlo sobre posibles peligros. Los símbolos de seguridad y las explicaciones que se dan merecen su atención y comprensión cuidadosa. Las advertencias del símbolo no eliminan por sí mismas ningún peligro. Las instrucciones y las advertencias no sustituyen las medidas adecuadas de prevención de accidentes.

⚠ ADVERTENCIA: asegúrese de leer y comprender todas las instrucciones de seguridad que contiene este manual del operador, incluidos todos los símbolos de alerta de seguridad, tales como “**PELIGRO**,” “**ADVERTENCIA**,” and “**PRECAUCIÓN**” antes de usar esta herramienta. Si no se siguen todas las instrucciones que figuran a continuación, se pueden producir electrocuciones, incendios y lesiones.

PREVENCIÓN DE DAÑOS Y MENSAJES DE INFORMACIÓN

Estos entregan al usuario información importante o instrucciones que, si no se siguen, podrían ocasionar daños al equipo o a la propiedad. Cada mensaje está precedido por la palabra “**AVISO**”, como en el siguiente ejemplo:

AVISO: se pueden producir daños al equipo o a la propiedad si no se siguen estas instrucciones.





⚠ ADVERTENCIA: durante el funcionamiento de cualquier herramienta eléctrica, pueden entrar objetos extraños a los ojos y causar graves daños oculares. Antes de comenzar a operar una herramienta eléctrica, use siempre lentes de protección o gafas de seguridad con blindaje lateral y un protector facial si es necesario. Le recomendamos usar una máscara de seguridad de visión amplia sobre anteojos o gafas de seguridad estándar con protección lateral. Use siempre lentes de protección con la marca de cumplimiento de la norma ANSI Z87.1.

INSTRUCCIONES IMPORTANTES DE SEGURIDAD

Esta página muestra y describe los símbolos de seguridad que pueden aparecer en este producto. Lea, comprenda y siga todas las instrucciones de la máquina antes de ensamblarla y utilizarla.

	Alerta de seguridad	Precauciones que involucran su seguridad.
	Lea y comprenda el manual del operador	Para reducir el riesgo de lesiones, el usuario debe leer y comprender el manual del operador antes de usar este producto.
	Cabello largo	No alejar el cabello largo de la entrada de aire podría provocar lesiones personales.
	Ropa holgada	No evitar que la ropa holgada sea atraída hacia los orificios de ventilación de la toma de aire podría tener como consecuencia lesiones personales.
	Lentes de protección	Use siempre gafas de seguridad o anteojos con protección lateral y un protector facial al operar este producto.
	Tubo del soplador	No opere si el tubo no está en su lugar.
	Mantenga alejados a los transeúntes	Mantenga a todos los transeúntes a al menos 15,24 m de distancia.

	<p>Símbolos de reciclaje</p>	<p>Este producto usa baterías de iones de litio (Li-ion). Es posible que las leyes municipales, provinciales o nacionales prohíban desechar las baterías con los residuos comunes. Consulte a la autoridad local en materia de residuos sobre las opciones de eliminación y reciclaje disponibles.</p>
<p>IPX4</p>	<p>Grado de protección de admisión</p>	<p>Protección contra las salpicaduras</p>
<p>V</p>	<p>Voltios</p>	<p>Voltaje</p>
<p>min</p>	<p>Minutos</p>	<p>Tiempo</p>
<p>CFM</p>	<p>Pies cúbicos por minuto</p>	<p>Volumen de aire</p>
<p>MPH</p>	<p>Millas por hora</p>	<p>Velocidad del aire</p>
	<p>Corriente continua</p>	<p>Tipo o característica de la corriente</p>

Quando utilice electrodomésticos, siempre se deben seguir las medidas de precaución básicas, entre las que se incluyen:

LEA TODAS LAS INSTRUCCIONES ANTES DE USAR ESTE PRODUCTO.

⚠ PELIGRO: las personas que poseen dispositivos electrónicos, como marcapasos, deben consultar al médico antes de usar este producto. Operar un equipo eléctrico cerca de un marcapasos puede causar interferencia o falla en el marcapasos.

⚠ ADVERTENCIA: para garantizar la seguridad y fiabilidad, todas las reparaciones las debe realizar un técnico calificado.

⚠ ADVERTENCIA: para reducir el riesgo de incendio, descargas eléctricas o lesiones:

- **Conozca el soplador eléctrico. Lea el manual de instrucciones detalladamente. Conozca las aplicaciones y las limitaciones del soplador, al igual que los peligros potenciales específicos relacionados con este soplador.** Si sigue esta regla, reducirá el riesgo de descargas eléctricas, incendio o lesiones graves.

- **No permita que se use el soplador como un juguete.** Se requiere suma atención cuando lo usan niños o se usa cerca de ellos.
- **Use el producto solo como se describe en este manual. Use solo los aditamentos recomendados del fabricante.**
- **Si el soplador no está funcionando como debe, se ha caído, dañado, dejado en exteriores o se ha caído al agua, devuélvalo a un centro de servicio.**
- **No manipule el cargador, incluidos el enchufe o los terminales del cargador, con las manos húmedas.**
- **No introduzca ningún objeto en las aberturas. No use con ninguna abertura bloqueada; mantenga las aberturas libres de polvo, pelusas, cabello y cualquier objeto que reduzca el flujo de aire.**
- **Mantenga el cabello, la ropa holgada, los dedos y todas las partes del cuerpo alejadas de las aberturas y piezas móviles.** La ropa holgada, las joyas o el cabello largo pueden ser atraídos hacia las ventilaciones de aire.
- **Amárrese el cabello largo sobre el nivel de los hombros para evitar que se enrede en las piezas móviles.**
- **Tenga sumo cuidado al limpiar escaleras.**
- **No cargue el paquete de baterías en exteriores.**
- **Use solo el cargador que suministra el fabricante para recargar.**
- **No deje el soplador sin supervisión cuando la batería esté insertada.** Retire la batería cuando el soplador no esté en uso y antes de realizarle mantenimiento.
- **No opere sopladores en atmósferas explosivas, como en la presencia de líquidos, gases o polvo inflamables.** Los sopladores producen chispas que pueden encender el polvo o los gases.
- **Use el soplador a batería solo con el paquete de baterías específicamente diseñado.** El uso de cualquiera otra batería puede crear un riesgo de incendio.
- Use solo con los paquete de baterías y cargadores que se indican a continuación.

PAQUETE DE BATERÍAS	CARGADOR
BA1120, BA1400, BA2240 BA2800, BA4200	CH5500 CH2100

- **Manténgase alerta, concéntrese en lo que hace y use el sentido común al operar un soplador. No utilice el soplador si está cansado, enojado o bajo la influencia de las drogas, el alcohol o algún medicamento.** Un momento de falta de atención mientras opera un soplador puede provocar lesiones personales graves.
- **Evite los arranques accidentales. Asegúrese de que el interruptor esté en la posición de apagado o de bloqueo antes de insertar el paquete de baterías.** Transportar el soplador con el dedo en el interruptor o con el paquete de baterías insertado y el interruptor encendido puede provocar accidentes.
- **Use el equipo de manera segura. Use siempre lentes de protección.** Se deben usar mascarillas antipolvo, zapatos de seguridad antideslizantes, cascos duros o protección auditiva para las condiciones adecuadas.
- **No use en una escalera, tejado, árbol ni otro soporte inestable.** Un punto de apoyo estable sobre una superficie sólida permite un mejor control del soplador en situaciones inesperadas.
- Siempre tenga cuidado con sus pies, los niños o las mascotas cuando retire el paquete de baterías del soplador. **Se podrían provocar lesiones graves si se cae el paquete de baterías. NUNCA retire el paquete de baterías cuando esté en una posición alta.**
- **No use el soplador si el interruptor no se enciende ni apaga.** Un soplador que no se puede controlar con el interruptor es peligroso y se debe reparar.
- **Desconecte el paquete de baterías del soplador antes de realizar ajustes, cambiar accesorios o almacenar el soplador.** Estas medidas preventivas de seguridad reducen el riesgo de arrancar accidentalmente el soplador.
- **Apague los controles antes de retirar la batería.**
- **NO intente limpiar las obstrucciones de la unidad sin primero retirar la batería.**
- **Compruebe que no haya desalineaciones ni obstáculos para las piezas móviles, que las piezas no estén rotas ni en ninguna otra condición que pueda afectar el funcionamiento del soplador. Si tiene daños, lleve el soplador para su mantenimiento antes de usarlo.** Muchos accidentes se producen debido a sopladores con mantenimiento deficiente.

- **Mantenga el soplador y su manija secos, limpios y libres de aceite y grasa.** Use siempre un paño limpio para limpiarlo. Nunca use líquido de frenos, gasolina, productos a base de petróleo ni ningún solvente fuerte para limpiar el soplador. Seguir esta regla reducirá el riesgo de pérdida de control y deterioro del plástico del compartimiento.
- **Use siempre gafas de seguridad con protección lateral.** Los anteojos de uso diario solo cuentan con protección contra impactos. NO son gafas de seguridad. Si sigue esta regla, reducirá el riesgo de lesiones oculares.
- **Siempre use lentes de protección con protección lateral que cumpla con la norma ANSIZ87.1, junto con protección auditiva al operar este equipo.**
- **Proteja sus pulmones. Use una máscara o mascarilla antipolvo si el funcionamiento produce polvo.** Si sigue esta regla, reducirá el riesgo de lesiones personales graves.
- **Proteja su audición. Use protección auditiva durante períodos prolongados de funcionamiento.** Si sigue esta regla, reducirá el riesgo de lesiones personales graves.
- **Los sopladores a batería no necesitan estar conectados a un enchufe; por lo tanto, siempre se encuentran en condiciones de funcionar. Conozca los posibles peligros que existen cuando su soplador a baterías no está en uso o cuando cambia los accesorios.** Si sigue esta regla, reducirá el riesgo de descargas eléctricas, incendios o lesiones personales graves.
- **Use pantalones largos, mangas largas y botas.** Evite el vestuario holgado o joyas que pudiesen quedar atrapados en las piezas móviles de la máquina o su motor.
- **No opere el equipo descalzo o cuando use sandalias o calzado ligero similar.** Use calzado de protección que protegerá sus pies y mejorará su apoyo sobre superficies resbaladizas.
- **No incinere el electrodoméstico incluso si está muy dañado.** Las baterías pueden explotar en un incendio.
- **Las baterías pueden explotar en presencia de una fuente de ignición, como una llama piloto.** Para reducir el riesgo de lesiones personales graves, no use nunca ningún producto a batería en presencia de una llama abierta. Una batería explotada puede liberar residuos y químicos. Si entra en contacto, enjuague con agua inmediatamente.

- **Mantenga un punto de apoyo y equilibrio firmes. No se extienda demasiado.** ya que podría perder el equilibrio.
- **Revise el área de trabajo antes de cada uso.** Retire todos los objetos como rocas, vidrios rotos, clavos, alambres o cordeles que puedan ser arrojados por la máquina o quedar atrapados en ella.
- **No apunte el tubo del soplador en la dirección de las personas o de las mascotas.**
- **Nunca opere la unidad sin el equipo correcto conectado.** Asegúrese siempre de que el tubo del soplador esté instalado.
- **Cuando no esté en uso, el soplador debe guardarse en interiores en un lugar seco y seguro, fuera del alcance de los niños.**
- **Mantenga a los transeúntes, los niños y las mascotas a al menos 15,24 m de distancia.**
- **Solo el personal de reparaciones calificado debe realizar mantenimiento al soplador.** Solo el personal de reparaciones calificado debe realizar mantenimiento al soplador.
- **Al realizarle mantenimiento a un soplador, utilice solo piezas de repuesto idénticas.** Siga las instrucciones señaladas en la sección Mantenimiento de este manual. El uso de piezas no autorizadas o el incumplimiento de las instrucciones de mantenimiento puede generar un riesgo de descarga eléctrica o de lesiones.
- **Nunca use el soplador cerca del fuego o de cenizas calientes.** Su uso cerca del fuego o de cenizas calientes puede propagar el fuego y provocar lesiones graves o daños a la propiedad.
- **Nunca use el soplador para esparcir productos químicos, fertilizantes ni ninguna otra sustancia tóxica.** Esparcir estas sustancias podría provocar lesiones graves al operador o a los transeúntes.
- **Nunca coloque el soplador sobre una superficie, excepto que sea dura y esté limpia, cuando el motor esté en funcionamiento.** La gravilla, la arena y otros desechos pueden ingresar a la entrada de aire y ser arrojados hacia el operador o los transeúntes, lo que podría provocar lesiones graves.

- **Guarde estas instrucciones.** Consúltelas periódicamente y utilícelas para instruir a otras personas que puedan utilizar esta herramienta. Si le presta esta herramienta a alguien, préstele también estas instrucciones para evitar el mal uso del producto y posibles lesiones.

GUARDE ESTAS INSTRUCCIONES!

INTRODUCCIÓN

Felicitaciones por elegir el soplador eléctrico con batería de iones de litio de 56 voltios. Está pensada, diseñada y fabricada para brindarle el mejor rendimiento y confiabilidad posibles.


Si experimenta algún problema que no puede solucionar fácilmente, llame al 1-855-EGO-5656 para ponerse en contacto con el Centro de servicio al cliente de EGO.

Este manual contiene información importante para que tenga seguridad durante el ensamblaje, la operación y el mantenimiento de su producto. Léalo atentamente antes de usar el producto. Mantenga este manual a mano para poder consultarlo en cualquier momento.

NÚMERO DE SERIE _____ FECHA DE COMPRA _____

DEBE ANOTAR EL NÚMERO DE SERIE Y LA FECHA DE COMPRA Y CONSERVARLOS EN UN LUGAR SEGURO PARA CONSULTARLOS EN EL FUTURO.

ESPECIFICACIONES

Voltaje	56 voltios 
Volumen máximo de aire en la boquilla	16 M ³ /MIN
Velocidad máxima de aire	233 km/h (sin la boquilla cónica)
	270 km/h (con la boquilla cónica)
Fuerza máxima de soplado	18.0 Newton
Tiempo de funcionamiento aproximado (con la batería EGO BA2800 de 56 voltios y 5.0 Ah)	200 mín. (baja velocidad)
	30 mín. (alta velocidad)
	18 mín. (modo de potencia máxima)
Peso (sin paquete de baterías)	2,17 kg (4,77 lb)

LISTA DE EMPAQUE

NOMBRE DE LA PIEZA	CANTIDAD
Soplador	1
Tubo del soplador	1
Boquilla cónica	1
Boquilla plana	1
Manual del operador	1

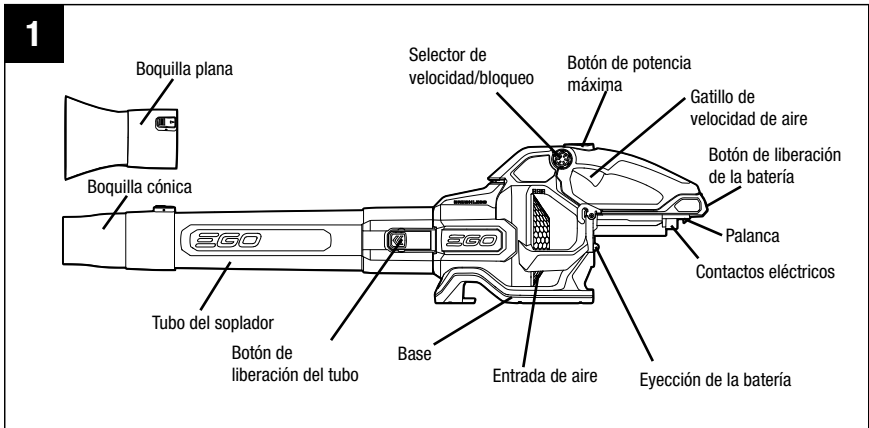
ACCESORIOS RECOMENDADOS

NOMBRE DE LA PIEZA	NÚMERO DE MODELO
Boquilla de esparcimiento	AN5801
Correa para hombro	AP5300

DESCRIPCIÓN

CONOZCA EL SOPLADOR (Fig. 1)

El uso seguro de este producto requiere la comprensión de la información impresa en la herramienta y en este manual de instrucciones, así como ciertos conocimientos sobre el proyecto a realizar. Antes de usar este producto, familiarícese con todas las características operativas y reglas de seguridad.



Gatillo de velocidad de aire	Arranca/detiene el soplador y ajusta la velocidad del aire
Selector de velocidad/bloqueo	Arranca o detiene el soplador; bloquea el soplador en cualquier velocidad
Botón de potencia máxima	Amplifica la velocidad del aire al máximo
Botón de liberación de la batería	Libera el paquete de baterías del soplador
Palanca	Bloquea el paquete de baterías cuando se instala en el soplador
Botón de liberación del tubo	Libera el tubo del soplador
Boquilla cónica	Concentra el flujo de aire y aumenta la velocidad de aire
Boquilla plana	Distribuye el flujo de aire y aumenta el área de limpieza

ENSAMBLAJE

⚠ ADVERTENCIA: si faltan piezas o estas están dañadas, no opere este producto hasta reemplazar dichas piezas. El uso de este producto con piezas dañadas o faltantes podría provocar lesiones graves.

⚠ ADVERTENCIA: no intente modificar este producto ni crear accesorios que no estén recomendados para usar con este soplador. Cualquier alteración o modificación de ese tipo representa mal uso y puede generar condiciones peligrosas que causen posibles lesiones personales graves.

⚠ ADVERTENCIA: siempre retire el paquete de baterías del producto cuando ensamble piezas, realice ajustes o limpie el producto, o cuando el producto no esté en uso.

DESEMBALAJE

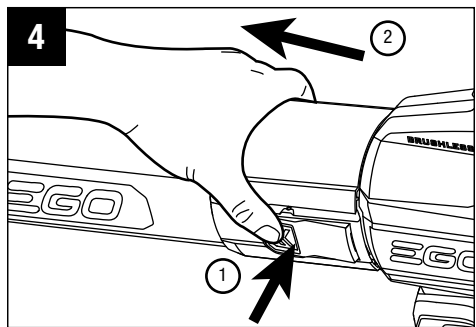
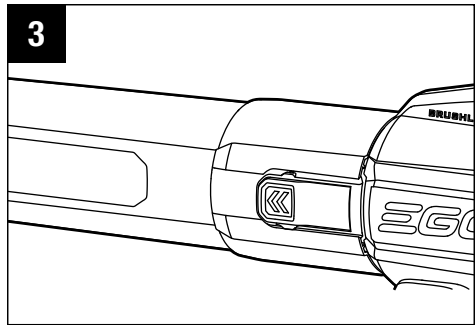
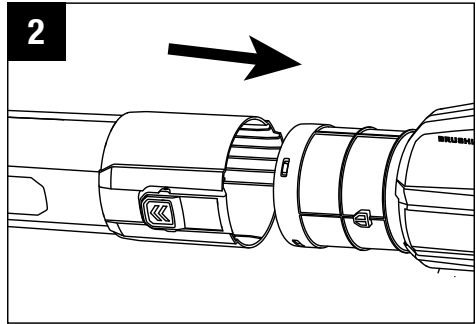
- Este producto requiere ensamble.
- Retire con cuidado el producto y cualquier accesorio de la caja. Asegúrese de que todos los elementos que aparecen en la lista de empaque estén incluidos.

⚠ ADVERTENCIA: no use este producto si cualquiera de las piezas de esta lista de empaque ya está ensamblada al producto cuando lo desembale. El fabricante no ensambla las piezas de esta lista al producto y se requiere que el cliente lo haga. El uso de un producto que se haya ensamblado de manera incorrecta podría provocar lesiones personales graves.

- Inspeccione la herramienta atentamente para asegurarse de que no se hayan producido roturas ni daños durante el envío.
- No deseche el material de embalaje hasta que haya inspeccionado cuidadosamente y utilizado satisfactoriamente la herramienta.
- Si hay piezas faltantes o dañadas, devuelva este producto al lugar donde lo compró.

ENSAMBLAJE DEL TUBO DEL SOPLADOR

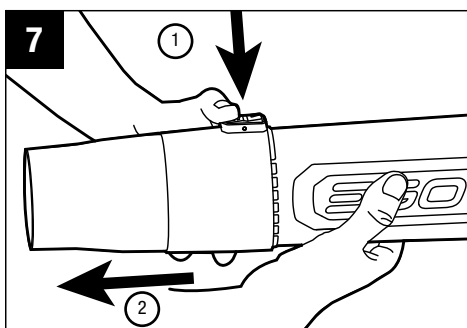
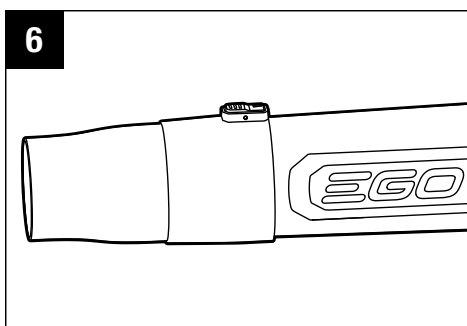
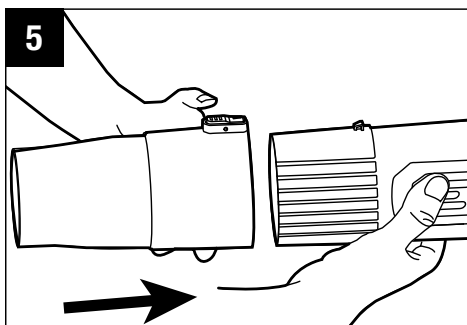
1. Retire la batería.
2. Alinee la ranura en el tubo con la perilla en la carcasa del soplador. Presione el tubo en la carcasa del soplador hasta que el pasador encaje en su lugar (Fig. 2 y 3).
3. Para retirar el tubo, mantenga presionado el botón de liberación del tubo para liberar el pasador, luego jale el tubo de manera recta desde el soplador (Fig. 4).



ENSAMBLAJE DE LA BOQUILLA CÓNICA/PLANA DEL SOPLADOR

1. Retire la batería.
2. Alinee la ranura de la boquilla cónica con la perilla en el tubo. Presione la boquilla en el tubo hasta que encaje en su lugar (Fig. 5 y 6).
3. Para retirar la boquilla cónica, mantenga presionado el botón de liberación de la boquilla para liberar el pasador, luego jale la boquilla de manera recta desde el soplador (Fig. 7).

Siga la misma secuencia para ensamblar o retirar la boquilla de esparcimiento plana.



OPERACIÓN

⚠ ADVERTENCIA: no permita que la experiencia con este producto lo vuelva imprudente. Recuerde que un descuido de una fracción de segundo es suficiente para ocasionar lesiones graves.

⚠ ADVERTENCIA: siempre use lentes de protección que cumplan con la norma ANSI Z87.1, junto con protección auditiva. De lo contrario, podría provocar que se disparen objetos hacia sus ojos y otras posibles lesiones graves.

⚠ ADVERTENCIA: no use ningún aditamento ni accesorio que no haya sido recomendado por el fabricante de este producto, ya que esto podría provocar lesiones graves.

Antes de cada uso, inspeccione todo el producto en busca de piezas dañadas, faltantes o sueltas, como tornillos, tuercas, pernos, tapas, etc. Apriete bien todos los sujetadores y tapas, y no opere este producto hasta que se hayan reemplazado todas las piezas faltantes o dañadas.

APLICACIÓN

Puede usar este producto para los fines que se indican a continuación:

- Despejar superficies duras como entradas de garaje y senderos
- Mantener terrazas y entradas de garaje libres de hojas y agujas de pinos

PARA INSTALAR/RETIRAR EL PAQUETE DE BATERÍAS (Fig. 8)

CARGUE LA BATERÍA ANTES DE USARLA POR PRIMERA VEZ.

⚠ ADVERTENCIA: siempre retire el paquete de baterías del producto cuando ensamble piezas, realice ajustes o limpie el producto, o cuando no esté en uso. De esta manera, evitará arranques accidentales, los que podrían provocar lesiones personales graves.

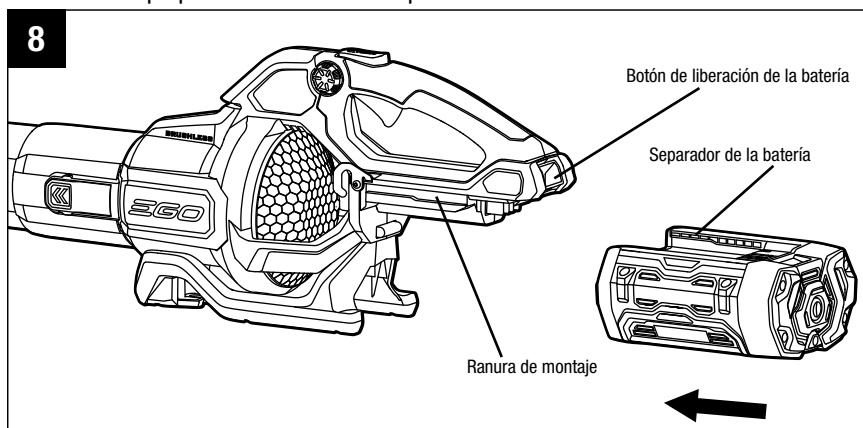
PARA INSTALAR

- Alinee las aletas del paquete de baterías con las ranuras de montaje en el puerto de la batería del soplador.
- Presione el paquete de baterías en el puerto de la batería hasta que calce en su posición.

PARA RETIRAR

⚠ ADVERTENCIA: siempre tenga cuidado con la ubicación de sus pies, los niños o las mascotas cuando presione el botón de liberación de la batería. Se podrían provocar lesiones graves si se cae el paquete de baterías. NUNCA retire el paquete de baterías cuando esté en una ubicación alta.

- Presione el botón de liberación de la batería; el paquete de baterías se desenganchará del pasador y el mecanismo de eyección lo ayudará con la extracción.
- Retire el paquete de baterías del soplador.



PARA ARRANCAR/DETENER EL SOPLADOR (Fig. 9)

GATILLO DE VELOCIDAD DE AIRE SOLAMENTE

- Presione el gatillo de velocidad de aire para arrancar el soplador.
- La velocidad de aire del soplador se controla con el gatillo de velocidad variable. Aplique más presión sobre el gatillo para aumentar la velocidad de soplado; aplique menos presión para disminuir la velocidad de soplado. Ajuste la velocidad según la tarea que deba realizar.
- Suelte el gatillo de velocidad de aire para apagar el soplador.

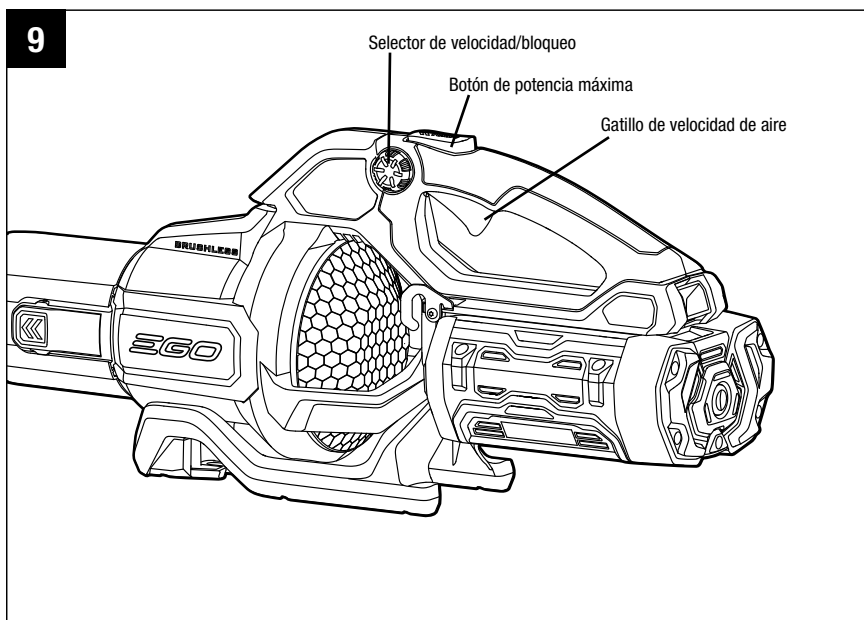
SELECTOR DE VELOCIDAD/BLOQUEO SOLAMENTE

El soplador se puede bloquear en cualquier velocidad con el selector de bloqueo de velocidad.

- Gire el selector de velocidades/bloqueo para arrancar el soplador. La velocidad del aire aumentará a medida que se gira el selector en dirección de las manecillas del reloj.
- Para disminuir la velocidad del aire, gire el selector de velocidades/bloqueo en dirección contraria a las manecillas del reloj.
- Continúe girando el selector de velocidad/bloqueo en dirección contraria a las manecillas del reloj hasta la posición de apagado para detener el soplador.

AVISO: si el selector de velocidad/bloqueo no se encuentra en la posición de apagado antes de retirar la batería, el soplador no arrancará cuando se instale una batería completamente cargada. Esta es una característica de protección para ayudar a evitar arranques accidentales. Presione el gatillo de velocidad de aire para desactivar la protección y arrancar el soplador.

Presione el botón de potencia máxima mientras trabaja para aumentar temporalmente la velocidad del aire hasta el nivel máximo. El soplador retomará la velocidad anterior al soltar este botón de potencia máxima.



FUNCIONAMIENTO DEL SOPLADOR

- Para evitar dispersar los desechos, sople alrededor de los bordes exteriores de una pila de desechos. Nunca sople directamente al centro de una pila.
- Para reducir los niveles de ruido, limite el número de equipos electromecánicos que usa simultáneamente.
- Use rastrillos y escobas para soltar los desechos antes de soplarlos. En condiciones de polvo, humedezca ligeramente las superficies, si dispone de agua.
- Ahorre agua al usar sopladores eléctricos en lugar de mangueras para muchas aplicaciones de césped y jardín, incluidas áreas como canaletas, pantallas, patios, parrillas, porches y jardines.
- Tenga cuidado con niños, mascotas, ventanas abiertas o automóviles recién lavados y sople los desechos lejos de estos.
- Después de usar el soplador u otro equipo, limpie. Elimine los desechos de manera adecuada.

MANTENIMIENTO

⚠ ADVERTENCIA: cuando realice el mantenimiento, solo use piezas de repuesto idénticas. El uso de cualquier otra pieza puede crear un peligro o causar daños en el producto. Para garantizar la seguridad y fiabilidad, todas las reparaciones las debe realizar un técnico calificado.

⚠ ADVERTENCIA: para evitar lesiones personales graves, retire siempre el paquete de baterías del producto cuando realice limpieza o cualquier tipo de mantenimiento.

MANTENIMIENTO GENERAL

Evite el uso de solventes para limpiar las piezas de plástico. La mayoría de los plásticos tienden a dañarse con los distintos tipos de solventes comerciales. Utilice paños limpios para eliminar la suciedad, el polvo, el aceite, la grasa, etc.

⚠ ADVERTENCIA: no permita en ningún momento que las piezas plásticas entren en contacto con líquidos de freno, gasolina, productos a base de petróleo, aceites penetrantes, etc. Los químicos pueden dañar, debilitar o destruir el plástico, lo que puede resultar en lesiones personales graves.

ALMACENAJE

- Limpie los materiales extraños de las entradas de aire del soplador.
- Almacene el soplador en interiores, en un lugar que no sea accesible para los niños. Manténgalo alejado de agentes corrosivos, como productos químicos para jardín y sales para derretir hielo.

SOLUCIÓN DE PROBLEMAS

PROBLEMA	CAUSA	SOLUTION
El soplador no funciona.	<ul style="list-style-type: none">▪ El paquete de baterías no está instalado en el soplador.▪ No hay contacto eléctrico entre el soplador y la batería.▪ El paquete de baterías está agotado.▪ El paquete de baterías o el soplador están muy calientes.▪ El selector de velocidad/bloqueo no se giró hasta la posición de apagado antes de retirar la batería.	<ul style="list-style-type: none">▪ Coloque el paquete de baterías en el soplador.▪ Retire la batería, verifique los contactos y vuelva a instalar el paquete de baterías.▪ Cargue el paquete de baterías.▪ Enfríe el paquete de baterías y el soplador hasta que su temperatura disminuya hasta debajo de los 67 °C (152 °F).▪ Presione el gatillo de velocidad de aire para desactivar la protección y arrancar el soplador.
La velocidad de aire disminuye notoriamente.	<ul style="list-style-type: none">▪ Desgaste excesivo del ventilador del motor.▪ La entrada de aire está bloqueada por desechos.	<ul style="list-style-type: none">▪ Póngase en contacto con el centro de servicio de EGO para solicitar una reparación.▪ Retire el paquete de baterías, limpie los desechos.

GARANTÍA

POLÍTICA DE GARANTÍA EGO

Garantía limitada de 5 años para el equipo eléctrico para exteriores EGO y garantía limitada de 3 años para los cargadores y las baterías del Sistema EGO POWER+.

Póngase en contacto con Servicio al Cliente de EGO de manera gratuita al 1-855-EGO-5656 cuando tenga preguntas o reclamaciones de garantía.

GARANTÍA LIMITADA DE SERVICIO

Este producto EGO está garantizado contra defectos en los materiales y la mano de obra POR CINCO AÑOS desde la fecha de su compra original. El producto defectuoso se reparará de manera gratuita.

El cargador y las baterías del Sistema EGO POWER+ están garantizados contra defectos en los materiales y la mano de obra DURANTE TRES AÑOS desde la fecha de compra original. El producto defectuoso se reparará de manera gratuita.

- a) Esta garantía se aplica solo al comprador original del distribuidor minorista autorizado de EGO y podría no ser transferible. Los distribuidores minoristas autorizados de EGO se identifican en línea, en <http://egopowerplus.com/pages/warranty-policy>.
- b) El período de garantía para cualquier producto, cargador y batería EGO para propósitos industriales, profesionales o comerciales es de un año.
- c) El período de garantía para productos reacondicionados o reparados utilizados con fines residenciales es de 1 año, y para propósitos industriales, profesionales o comerciales es de 90 días.
- d) El período de garantía para piezas del mantenimiento de rutina, incluidas, entre otras, cuchillas, cabezales de orilladoras, listones de cadenas, cadenas de motosierras, correas, barras raspadoras, boquillas de sopladores y todos los demás accesorios EGO, es de 90 días con fines residenciales y de 30 días para propósitos industriales, profesionales o comerciales. Estas piezas tienen cobertura durante 90/30 días por defectos de fabricación en condiciones normales de trabajo.
- e) Esta garantía queda nula si el producto se ha puesto en alquiler.
- f) Esta garantía no cubre daños producto de modificaciones, alteraciones o reparaciones no autorizadas.

- g) Esta garantía solo cubre defectos que surjan del uso normal y no cubre el mal funcionamiento, las fallas ni los defectos que resulten del mal uso, el abuso (que incluye la sobrecarga del producto más allá de su capacidad y sumergirlo en agua o en cualquier otro líquido), accidentes, negligencia o falta de instalación adecuada y mantenimiento o almacenamiento inadecuados.
- h) Esta garantía no cubre el deterioro normal del acabado exterior, incluidos, entre otros, rayones, abolladuras, trozos de pintura o cualquier corrosión o decoloración producida por el calor o limpiadores químicos y abrasivos.

CÓMO OBTENER EL SERVICIO

Para obtener el servicio de garantía, póngase en contacto con Servicio al Cliente de EGO de manera gratuita al **1-855-EGO-5656**. Cuando pida un servicio cubierto por la garantía, debe presentar el recibo con la fecha original de venta. Un centro de servicio autorizado será seleccionado para reparar el producto de acuerdo con los términos establecidos en la garantía. Cuando lleve el producto al centro de servicio autorizado, es posible que deba hacer un pequeño depósito cuando deje la herramienta. Este depósito se reembolsará cuando se considere que el servicio de reparación se haya cubierto con la garantía.

LIMITACIONES ADICIONALES

En la medida en que lo permita la ley aplicable, se rechazan todas las garantías implícitas, incluidas las garantías de COMERCIALIZACIÓN o IDONEIDAD PARA UN FIN EN PARTICULAR. Cualquier garantía implícita, incluidas las garantías de comerciabilidad o idoneidad para cualquier fin en particular, que no pueda ser rechazada según la ley estatal, está limitada a cinco años desde la fecha de compra para el equipo electromecánico para exteriores y tres años desde la fecha de compra para el cargador y el paquete de baterías.

Chervon North America no será responsable de los daños directos, indirectos, accidentales o resultantes.

Algunos estados no permiten las limitaciones sobre cuánto dura una garantía implícita o no permiten la exclusión de daños accidentales o resultantes ni las limitaciones, de modo que las limitaciones anteriores pueden no aplicarse a usted.

Esta garantía le otorga derechos legales específicos, pero podría tener también otros derechos que varían según el estado.

Si desea servicio al cliente, póngase en contacto con nosotros al número gratuito: **1-855-EGO-5656** o escríbanos a **EGOPOWERPLUS.COM** EGO Customer Service, 120 Ionia Street SW / Suite 102 Grand Rapids, MI 49503

