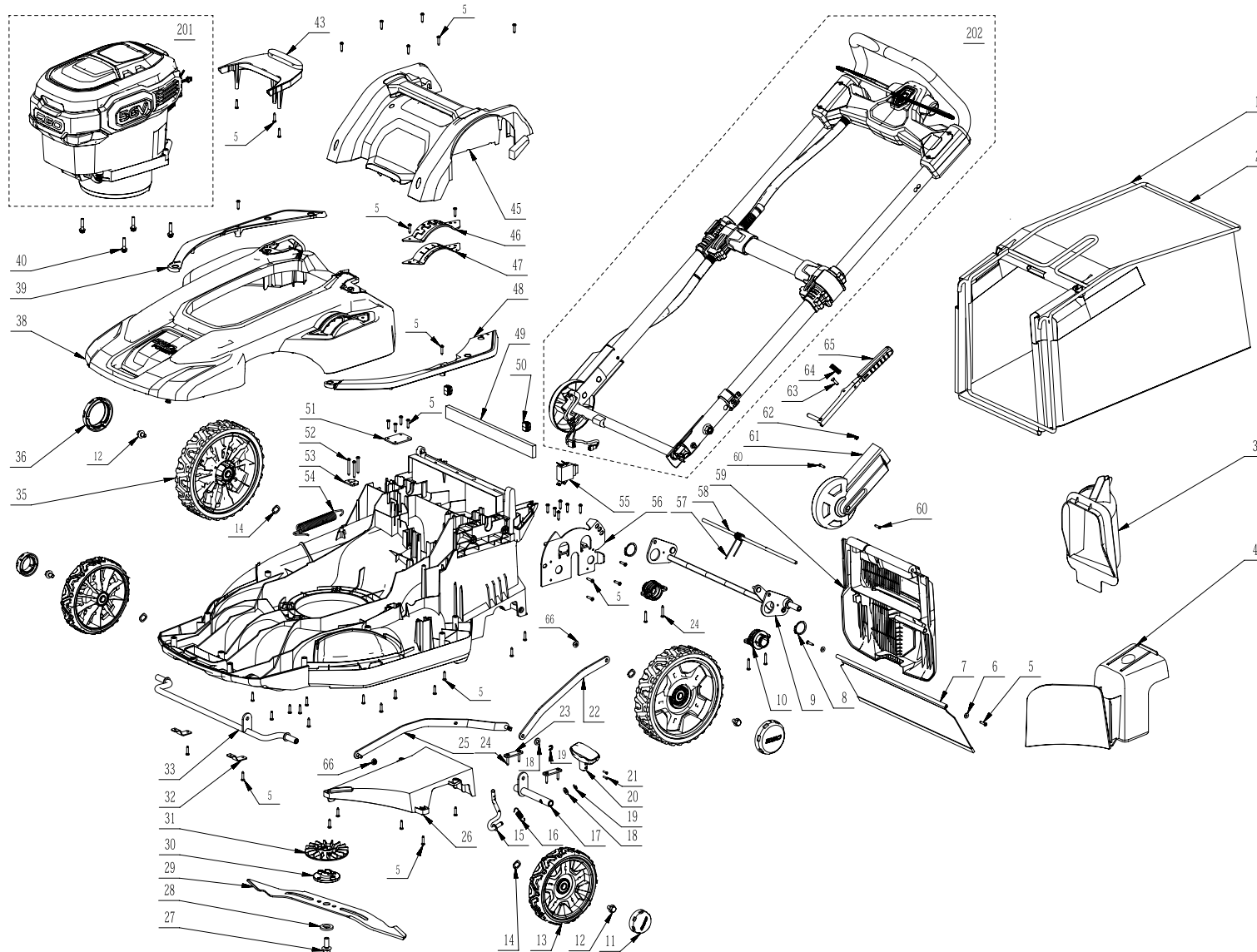
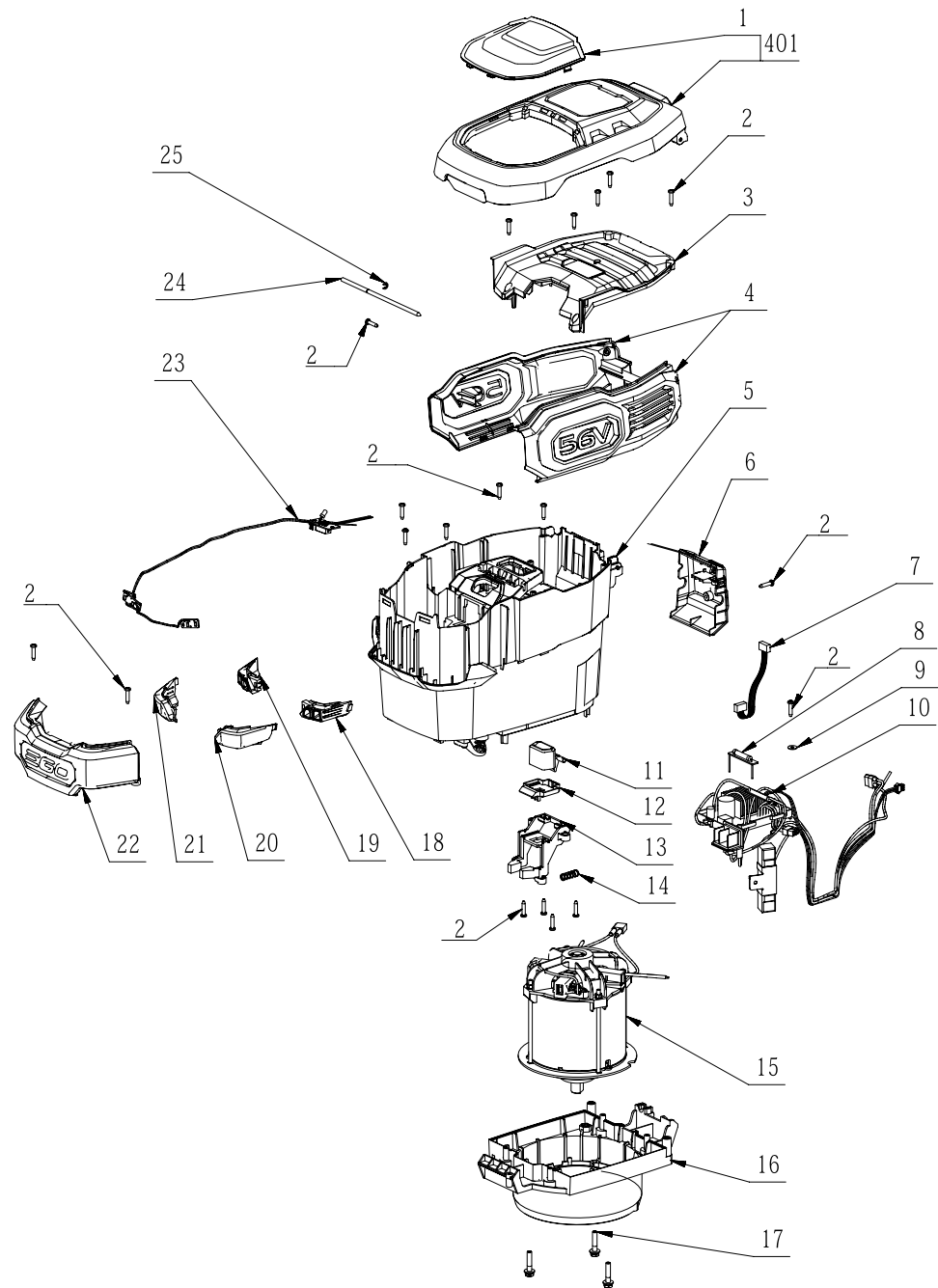
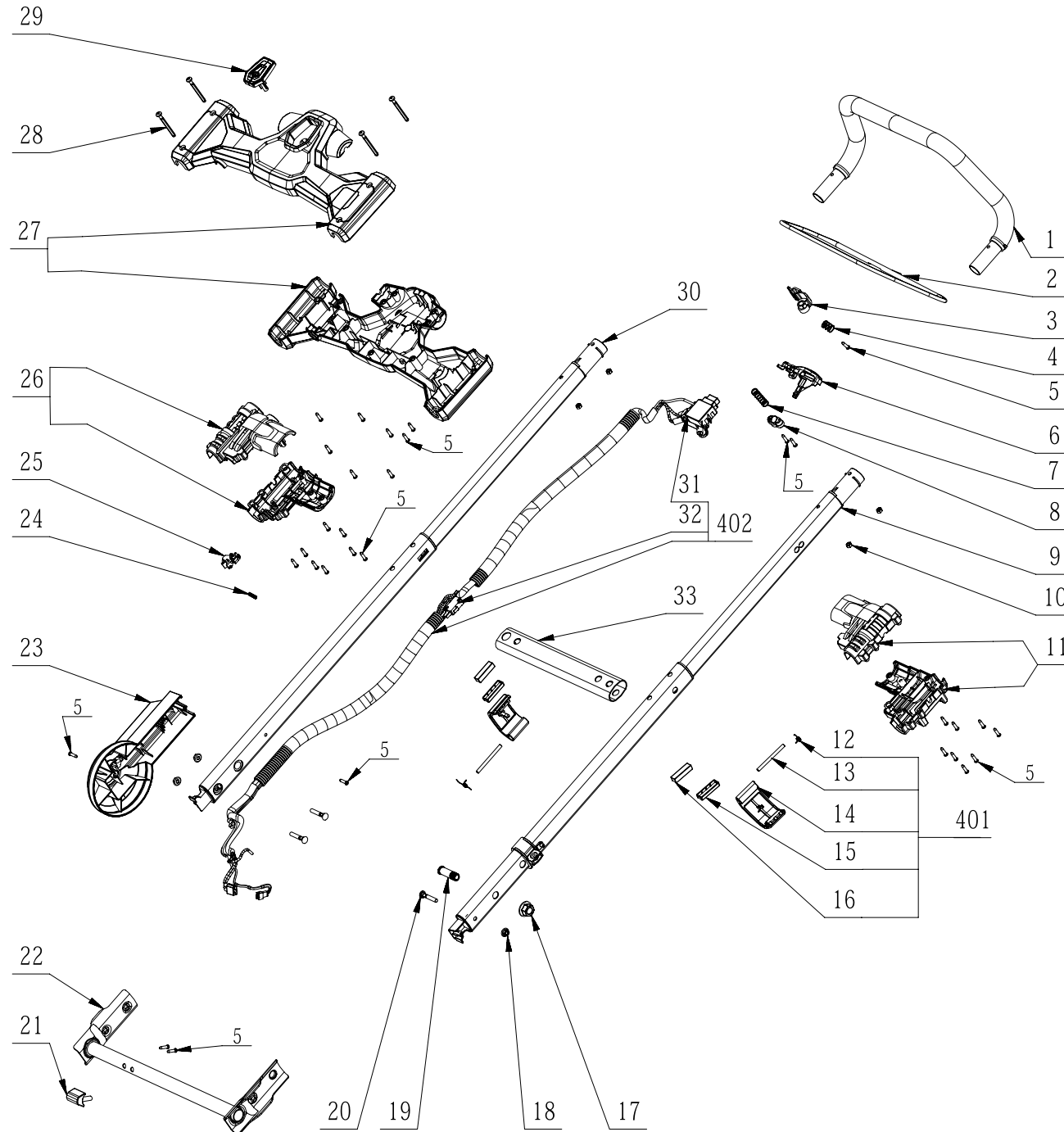




Product Description: Lawn Mower  
Model Number: LM2100  
Body Number: 1000004001\_S  
Version: A  
Issue Date: 2020/04/17







## Service Part List\_LM2100\_Version A

No.	Product Model#	Part Number	Description	Qty
1	LM2100	3800109001	Grass Catcher	1
2	LM2100	3705442002	Bag Frame	1
3	LM2100	3127911001	Side Discharge Chute ASSY	1
4	LM2100	3127924001	Mulch Plug ASSY	1
5	LM2100	5610042014	Tapping Screw	49
6	LM2100	5650004001	Plain Washer	2
7	LM2100	3126391001	Trail Shield	1
8	LM2100	5660152002	Circlips For Shaft	2
9	LM2100	2824667001	Rear Axle Set	1
10	LM2100	3421670001	Bearing Support	2
11	LM2100	3126769001	Hubcap	2
12	LM2100	5640010003	Hexagon Flange Bolt	4
13	LM2100	2823662001	Wheel Assembly	2
14	LM2100	5650453001	Wave Washer	4
15	LM2100	2823295001	Handle Lever Set	1
16	LM2100	3660558001	Tension Spring	1
17	LM2100	2823322001	Shaft ASSY	1
18	LM2100	5650025004	Plain Washer	2
19	LM2100	5660139002	E Ring	2
20	LM2100	3321478001	Height Adjusting Lever	1
21	LM2100	5620065004	Screw	2
22	LM2100	3705142001	Connecting Rod	1
23	LM2100	3705398001	Mounting Plate	2
24	LM2100	5610044002	Tapping Screw	8
25	LM2100	2824668001	Connecting Rod Set	1
26	LM2100	3127925001	Rear Enclosure	1
27	LM2100	5640226001	Flange Bolt	1
28	LM2100	5650510001	Washer	1
29	LM2100	3705938001	Blade	1
30	LM2100	3520852002	Motor Bushing	1
31	LM2100	3127847001	Fan	1
32	LM2100	3705216001	Mounting Plate	2

No.	Product Model#	Part Number	Description	Qty
33	LM2100	2824372001	Front Axle Set	1
35	LM2100	2824279001	Wheel Assembly	2
36	LM2100	3126765001	Hubcap	2
38	LM2100	2825825001	Housing Cover ASSY	1
39	LM2100	3127939001	Right Cover	1
40	LM2100	5640217002	Bolt and Washer Set	4
43	LM2100	3127892001	Service Cover	1
45	LM2100	2824265002	Service Cover Assembly	1
46	LM2100	3705896001	Depth Stop Plate	1
47	LM2100	3128083001	Rubber Pad	1
48	LM2100	3127940001	Left Cover	1
49	LM2100	3706018001	Spongy Cushion	1
50	LM2100	3127738001	Rubber Gasket	2
51	LM2100	3705440001	Clamp	1
52	LM2100	5610047003	Tapping Screw	3
53	LM2100	3705397001	Clamp	1
54	LM2100	3660557001	Tension Spring	1
55	LM2100	4870566002	Push Switch	1
56	LM2100	2824383001	Fixed Set	1
57	LM2100	3660559001	Torsion Spring	1
58	LM2100	5670345001	Shaft	1
59	LM2100	3126689003	Rear Cover ASSY	1
60	LM2100	5610032004	Tapping Screw	2
61	LM2100	3126912001	Decorative Cover ASSY	1
62	LM2100	5660003003	E Ring	1
63	LM2100	3550048003	Pin	1
64	LM2100	3660565001	Compression Spring	1
65	LM2100	2824250001	Handle Lever Set	1
66	LM2100	5630013003	Prevailing Torque Hexagon Nut	2
201	LM2100	2824419001	Power Unit	1
202	LM2100	2824308001	Handle Assy	1
201-1	LM2100	3127900001	Transparent Guard	1
201-2	LM2100	5610042014	Tapping Screw	19
201-3	LM2100	3128072001	Inner Cover ASSY	1

No.	Product Model#	Part Number	Description	Qty
201-4	LM2100	3900068001	Decorative Cover ASSY	1
201-5	LM2100	2825623001	Battery Box ASSY	1
201-6	LM2100	2827419001	LED Cover Assembly	1
201-7	LM2100	4930490001	Wiring Harness	1
201-8	LM2100	4891202002	Fuse	1
201-9	LM2100	5650004001	Plain Washer	1
201-10	LM2100	2830119001	Electric Assembly	1
201-11	LM2100	3126760001	Release Button	1
201-12	LM2100	3126772001	Sliding Block	1
201-13	LM2100	3126782001	Fixed Unit	1
201-14	LM2100	3660303002	Spring	1
201-15	LM2100	2730232001	DC Motor	1
201-16	LM2100	2825644001	Base Assembly	1
201-17	LM2100	5640217002	Bolt & Washer Set	3
201-18	LM2100	3127984001	Reflector	1
201-19	LM2100	3127983001	Reflector	1
201-20	LM2100	3127982001	Transparent Cap	1
201-21	LM2100	3127981001	Transparent Cap	1
201-22	LM2100	2824901001	Front Cover ASSY	1
201-23	LM2100	2823604003	PCB Assembly	1
201-24	LM2100	5670380001	Pin	1
201-25	LM2100	5660003003	E Ring	1
201-401	LM2100	2824902001	Battery Cover ASSY	1
202-1	LM2100	2823782001	Sheath ASSY	1
202-2	LM2100	2824118001	Control Handle ASSY	1
202-3	LM2100	3127905001	Switch Actuator	1
202-4	LM2100	3660814001	Spring	1
202-5	LM2100	5610032004	Tapping Screw	31
202-6	LM2100	3127908001	Switch Lever	1
202-7	LM2100	3660562001	Compression Spring	1
202-8	LM2100	3126763001	Clamp	1
202-9	LM2100	2826006001	Telescope Tube	1
202-10	LM2100	5630006002	Prevailing Torque Hexagon Nut	4
202-11	LM2100	2824427001	Left Cover Set	1

No.	Product Model#	Part Number	Description	Qty
202-12	LM2100	3660568001	Torsion Spring	2
202-13	LM2100	5670191002	Parallel Pin	2
202-14	LM2100	3126790002	Control Handle	2
202-15	LM2100	3126761001	Clamp Block	2
202-16	LM2100	3126832001	Rubber Block	2
202-17	LM2100	5630268001	Nut	1
202-18	LM2100	5630013003	Prevailing Torque Hexagon Nut	3
202-19	LM2100	3551952001	Sleeve	1
202-20	LM2100	5640168001	Square Neck Bolt	3
202-21	LM2100	3126783001	Switch Level	1
202-22	LM2100	2823431002	Spindle ASSY	1
202-23	LM2100	3126912001	Decorate Cover	1
202-24	LM2100	3660287002	Spring	1
202-25	LM2100	3126768001	Switch Actuator	1
202-26	LM2100	2824426001	Right Cover Set	1
202-27	LM2100	2824422001	Switch Box Cover ASSY	1
202-28	LM2100	5610064005	Thread Forming Screw	4
202-29	LM2100	3127929001	Button	1
202-30	LM2100	2826007001	Telescope Tube	1
202-31	LM2100	4870566001	Push Switch	1
202-32	LM2100	4870500001	Micro Switch	1
202-33	LM2100	3705393001	Intermedium Tube	1
202-401	LM2100	2823714002	Control Handle Set	2
202-402	LM2100	2824307003	Switch Assembly	1