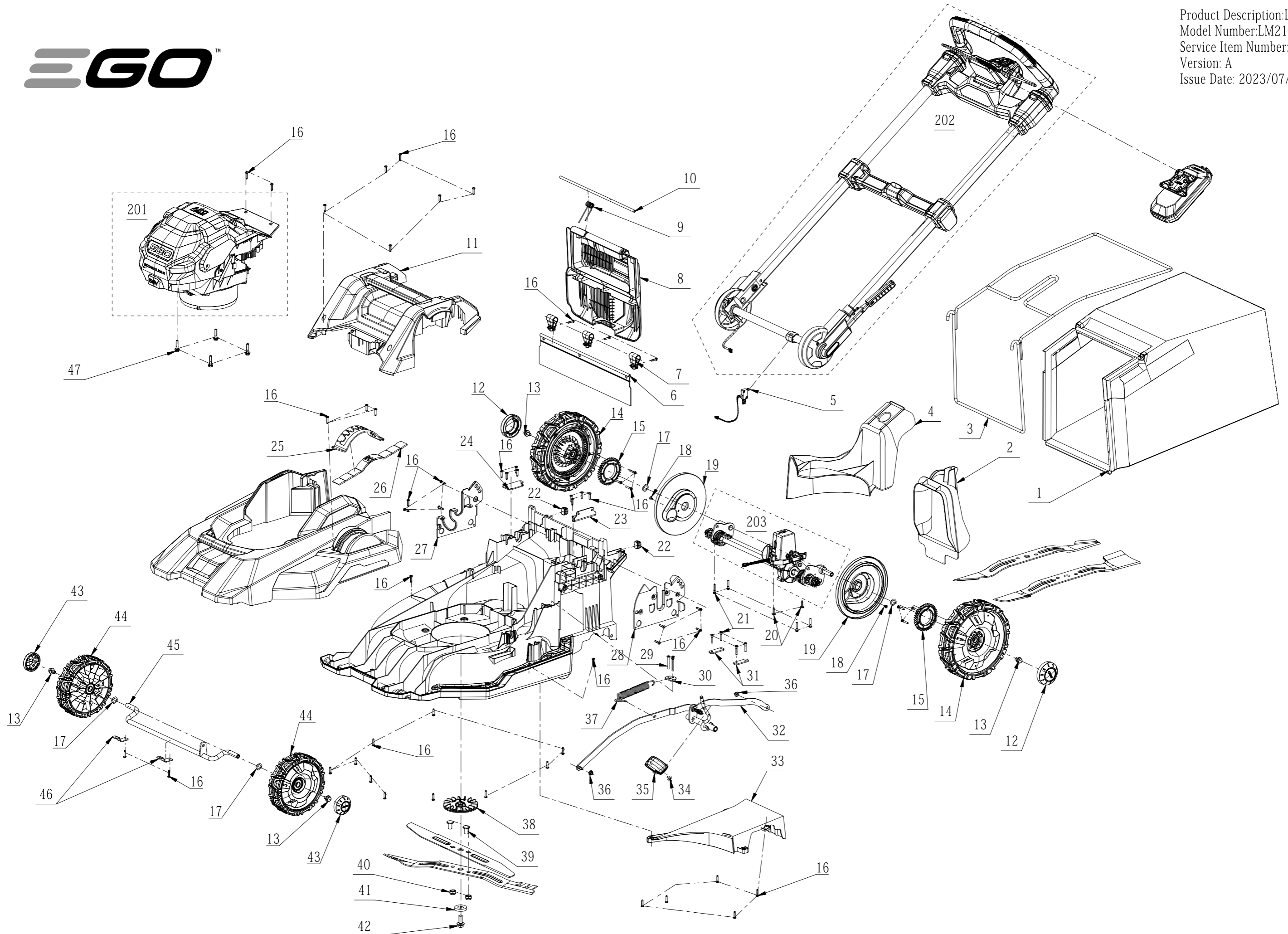
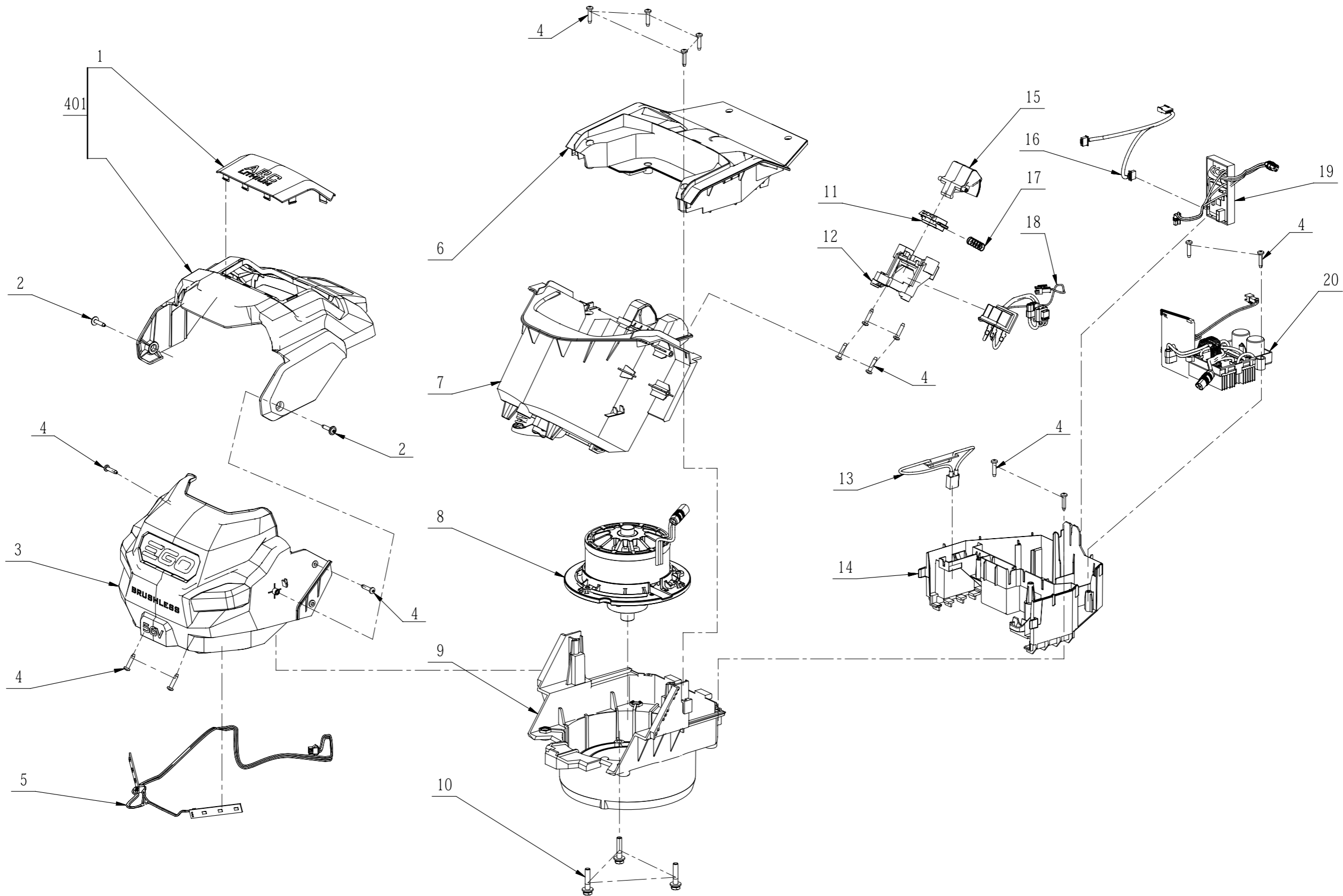


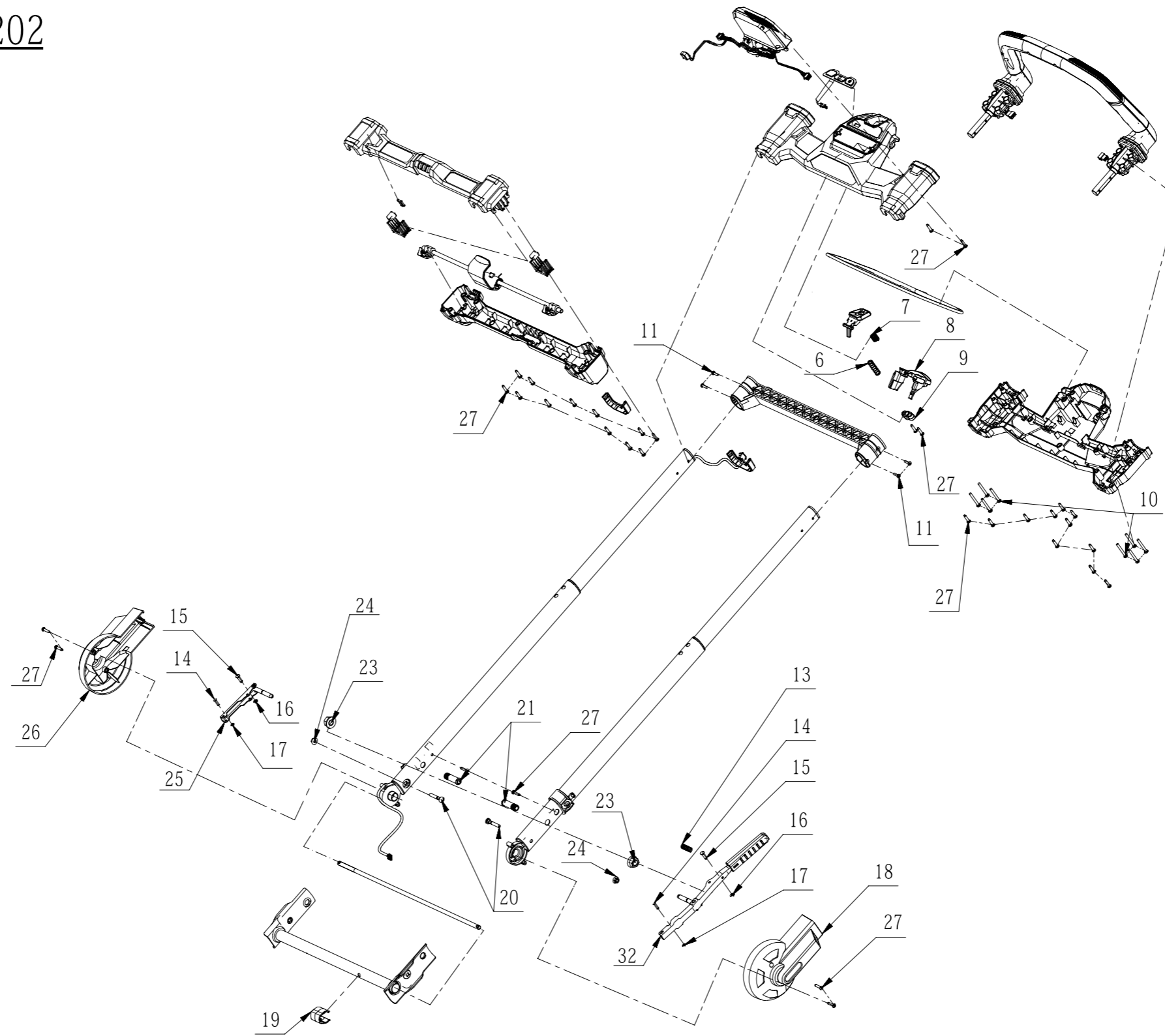


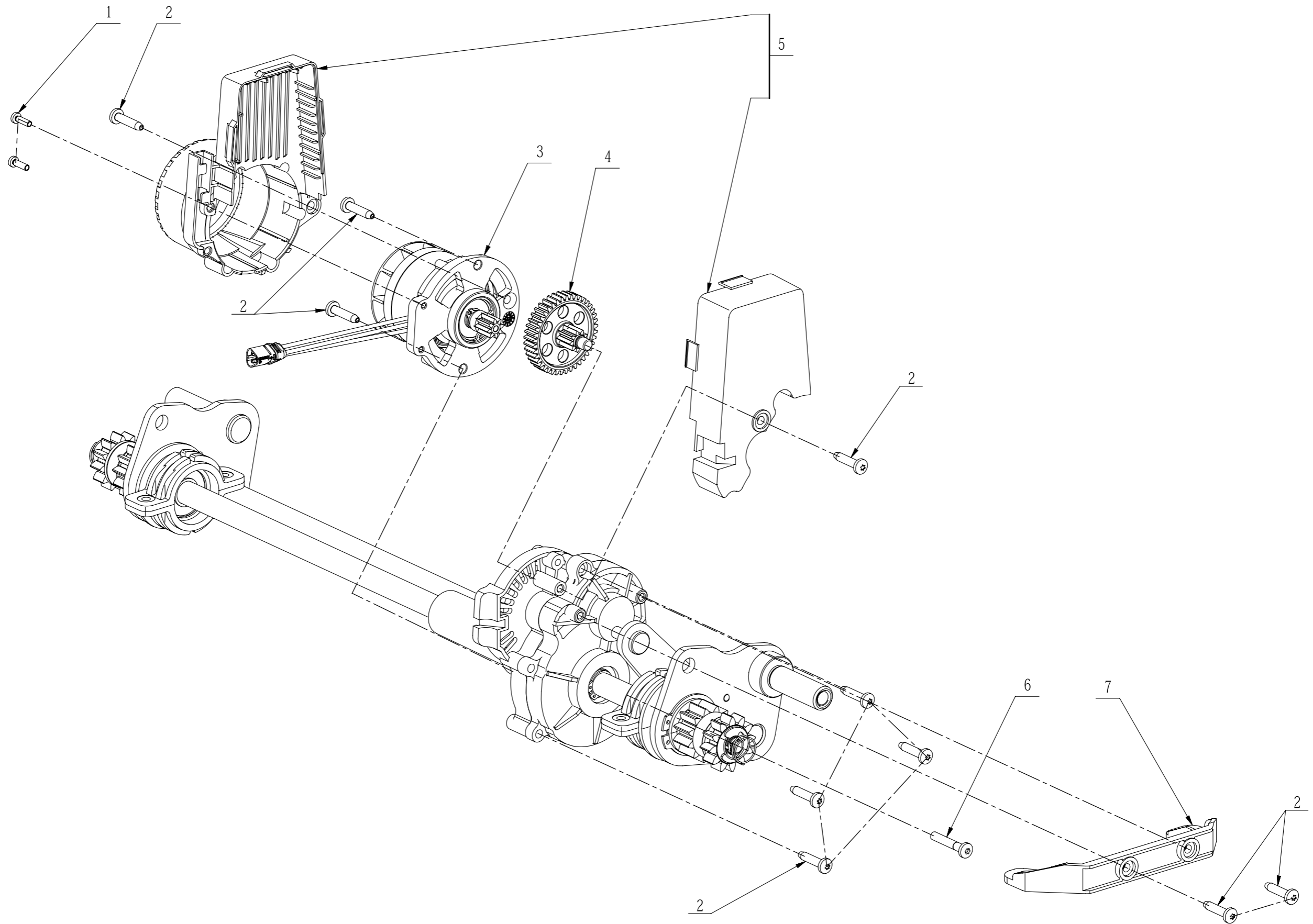
Product Description:Lawn Mower
Model Number:LM2160SP
Service Item Number:F710044001S01
Version: A
Issue Date: 2023/07/25





202





Service Part List_LM2160SP_Vervion A

No.	Product Model#	Part Number	Description	Qty
1	LM2160SP	3800109002	Grass Catcher	1
2	LM2160SP	3129809001	Side Discharge Chute	1
3	LM2160SP	3705442002	Bag Frame	1
4	LM2160SP	3129653001	Mulch Plug	1
5	LM2160SP	2826165001	Switch Assembly	1
6	LM2160SP	3129771001	Trail Shield	1
7	LM2160SP	3129770001	Bevel Support	3
8	LM2160SP	2829761001	Rear Cover	1
9	LM2160SP	3660559001	Torsion Spring	1
10	LM2160SP	5670345001	Shaft	1
11	LM2160SP	2826055001	Service Cover Assembly	1
12	LM2160SP	3131636001	Wheel Hub Cover	2
13	LM2160SP	5640010003	Hexagon Flange Bolt	4
14	LM2160SP	2829041001	Rear Wheel Assembly	2
15	LM2160SP	3520933001	Gear	2
16	LM2160SP	5620157006	Hexagon Socket Screw	55
17	LM2160SP	5650453001	Wave Washer	4
18	LM2160SP	5620067010	Screw	2
19	LM2160SP	3128946001	Protecting Cap	2
20	LM2160SP	5610893001	Hexalobular Socket Pan Head Flar	2
21	LM2160SP	5620480002	Screw	8
22	LM2160SP	3127738001	Rubber Gasket	2
23	LM2160SP	3706196001	Left Fixing Block	1
24	LM2160SP	3706195001	Right Fixing Block	1
25	LM2160SP	3708334001	Depth Stop Plate	1
26	LM2160SP	2826100002	Dust Board ASSY	1
27	LM2160SP	3706663001	Support Plate	1
28	LM2160SP	3706664001	Support Plate	1
29	LM2160SP	5610286001	Tapping Screw	3
30	LM2160SP	3705397001	Clamp	1
31	LM2160SP	3705398001	Mounting Plate	2
32	LM2160SP	2829815001	Connecting Rod Assembly	1

No.	Product Model#	Part Number	Description	Qty
33	LM2160SP	3129624001	Rear Enclosure	1
34	LM2160SP	5620065005	Screw	2
35	LM2160SP	3322429001	Height Adjusting Lever	1
36	LM2160SP	5630013003	Prevailing Torque Hexagon Nut	2
37	LM2160SP	3660557001	Tension Spring	1
38	LM2160SP	3403110001	Fan	1
39	LM2160SP	5640321002	Bolt	2
40	LM2160SP	5630351002	Prevailing Torque Hexagon Lock N	2
41	LM2160SP	5650705002	Washer	1
42	LM2160SP	5640226002	Flange Bolt	1
43	LM2160SP	3132699001	Wheel Hub Cover	2
44	LM2160SP	2827821001	Front Wheel Assembly	2
45	LM2160SP	2825628001	Front Axle Set	1
46	LM2160SP	3705216001	Mounting Plate	2
47	LM2160SP	5640217003	Bolt and Washer Set	4
201	LM2160SP	2828624003	Power Unit	1
201-2	LM2160SP	5610893001	Hexalobular Socket Pan Head Flar	2
201-3	LM2160SP	2826307001	Top Cover ASSY	1
201-4	LM2160SP	5620157006	Hexagon Socket Screw	16
201-5	LM2160SP	2830412001	4908 LED Electric Assembly	1
201-6	LM2160SP	3130401001	Rear Cover	1
201-7	LM2160SP	2826306001	Battery Box ASSY	1
201-8	LM2160SP	2730254001	DC Motor	1
201-9	LM2160SP	3403069001	Bottom Support	1
201-10	LM2160SP	5640217004	Bolt and Washer Set	3
201-11	LM2160SP	3127202001	Power Pack Button	1
201-12	LM2160SP	3129439001	Support	1
201-13	LM2160SP	2830216002	4908 Fuse PCBA	1
201-14	LM2160SP	3129434001	Mounting Plate	1
201-15	LM2160SP	3127201001	Release Button	1
201-16	LM2160SP	4860616001	Internal Wire ASSY	1
201-17	LM2160SP	3660013003	Spring1	1
201-18	LM2160SP	4860570002	Wiring Harness	1
201-19	LM2160SP	2831059003	Speed Regulation Electric Assemb	1

No.	Product Model#	Part Number	Description	Qty
201-20	LM2160SP	2830831002	Main Electric Assembly	1
201-401	LM2160SP	2829763001	Battery Cover Assembly	1
201-1	LM2160SP	3129442001	Transparent Guard	1
202	LM2160SP	2829333002	Handle Assembly	1
202-6	LM2160SP	3660562001	Compression Spring	1
202-7	LM2160SP	3660011002	Spring	1
202-8	LM2160SP	3131603001	Switch Actuator	1
202-9	LM2160SP	3126763001	Clamp	1
202-10	LM2160SP	5610286001	Tapping Screw	8
202-11	LM2160SP	5620511003	Hexagon Socket Screw	4
202-13	LM2160SP	3660565001	Compression Spring	1
202-14	LM2160SP	5670142001	Pin Shaft	2
202-15	LM2160SP	3550048003	Pin	2
202-16	LM2160SP	5660245001	"E" Ring	2
202-17	LM2160SP	5660302001	E Ring	2
202-18	LM2160SP	2829760001	Left Decorate Cover	1
202-19	LM2160SP	3129714001	Switch Actuator	1
202-20	LM2160SP	5640168001	Square Neck Bolt	2
202-21	LM2160SP	3551952001	Sleeve	2
202-23	LM2160SP	5630268001	Nut	2
202-24	LM2160SP	5630013003	Prevailing Torque Hexagon Nut	2
202-25	LM2160SP	2825245001	Connecting Rod ASSY	1
202-26	LM2160SP	3133813001	Decorative Cover	1
202-27	LM2160SP	5620157006	Hexagon Socket Screw	33
202-32	LM2160SP	2827680002	Control Handle Set	1
203	LM2160SP	2829508001	Self-Propelled Unit	1
203-1	LM2160SP	5620033010	Cross Recess Pan Head Screw	2
203-2	LM2160SP	5620157006	Hexagon Socket Screw	10
203-3	LM2160SP	2829506001	Motor & Gear Assembly	1
203-4	LM2160SP	2825404001	Gear Set	1
203-5	LM2160SP	3900208001	Dust Cover	1
203-6	LM2160SP	5620480002	Screw	1
203-7	LM2160SP	3128943001	Support	1