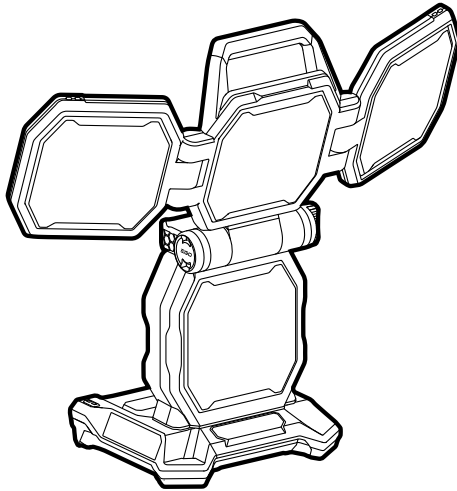


# EGO™

POWER<sup>+</sup> LIGHT



OPERATOR'S MANUAL  
**56V LITHIUM-ION  
PORTABLE AREA LIGHT**

MODEL NUMBER LT1000/ LT1000-FC

Français p. 21

Español p. 43

**⚠ WARNING:** To reduce the risk of injury, the user must read and understand the Operator's Manual before using this product. Save these instructions for future reference.



# TABLE OF CONTENTS

FCC Statement . . . . .	3
Safety Guidelines . . . . .	4
Important Safety Instructions . . . . .	5-7
Introduction . . . . .	7
Specifications . . . . .	8
Packing list . . . . .	8
Description . . . . .	9-11
Operation . . . . .	12-15
Maintenance . . . . .	16-17
Troubleshooting . . . . .	18
Warranty . . . . .	19-20

## FCC STATEMENT

1. This device complies with Part 15 of the FCC Rules. Operation is subject to the following two conditions:
  - 1) This device may not cause harmful interference.
  - 2) This device must accept any interference received, including interference that may cause undesired operation.
2. Changes or modifications not expressly approved by the party responsible for compliance could void the user's authority to operate the equipment.

**NOTICE:** This equipment has been tested and found to comply with the limits for a Class B digital device, pursuant to Part 15 of the FCC Rules. These limits are designed to provide reasonable protection against harmful interference in a residential installation. This equipment generates, uses, and can radiate radio frequency energy and, if not installed and used in accordance with the instructions, may cause harmful interference to radio communications. However, there is no guarantee that interference will not occur in a particular installation. If this equipment does cause harmful interference to radio or television reception, which can be determined by turning the equipment off and on, the user is encouraged to try to correct the interference by one or more of the following measures: Reorient or relocate the receiving antenna. Increase the separation between the equipment and receiver. Connect the equipment into an outlet on a circuit different from that to which the receiver is connected. Consult the dealer or an experienced radio/TV technician for help.

# READ ALL INSTRUCTIONS!



READ & UNDERSTAND  
OPERATOR'S MANUAL

## SAFETY GUIDELINES

### SAFETY SYMBOLS

The purpose of safety symbols is to attract your attention to possible dangers. The safety symbols and the explanations with them deserve your careful attention and understanding. The symbol warnings do not, by themselves, eliminate any danger. The instructions and warnings they give are no substitutes for proper accident prevention measures.

**⚠ WARNING:** Be sure to read and understand all safety instructions in this Operator's Manual, including all safety alert symbols such as **“DANGER,” “WARNING,”** and **“CAUTION”** before using this tool. Failure to following all instructions listed below may result in electric shock, fire, and/or serious personal injury.

### DAMAGE PREVENTION AND INFORMATION MESSAGES

These inform the user of important information and/or instructions that could lead to equipment or other property damage if they are not followed. Each message is preceded by the word “NOTICE”, as in the example below:

**NOTICE:** Equipment and/or property damage may result if these instructions are not followed.

# IMPORTANT SAFETY INSTRUCTIONS

This page depicts and describes safety symbols that may appear on this product. Read, understand, and follow all instructions on the machine before attempting to assemble and operate.

	Safety Alert	Precautions that involve your safety.
	Read & Understand Operator's Manual	To reduce the risk of injury, user must read and understand the operator's manual before using this product.
	Light Beam	Do not stare into the light beam.
	Hot Surface	Risk of burns. Do not touch hot surface.
	Recycle Symbols	This product uses lithium-ion (Li-ion) batteries. Local, state, or federal laws may prohibit disposal of batteries in ordinary trash. Consult your local waste authority for information regarding available recycling and/or disposal options.
	Direct Current	Type or a characteristic of current
IPX4	Ingress Protection Degree	Protection from splashing water
V	Volt	Voltage
min	Minutes	Time
A	Amperes	Current
mm	Millimeters	Length of size
lm	Lumens	Luminous flux
h	Hours	Time



## SAFETY INSTRUCTIONS FOR CORDLESS AREA LIGHT

**⚠ WARNING!** When using lights or lanterns, additional precautions should always be followed, including the following:

- **To reduce the risk of injury, close supervision is necessary when a product is used near children.**
- **Do not contact hot parts.**
- **Only use attachments recommended or sold by the manufacturer.**
- **Do not use in the rain.**
- **To reduce the risk of electrical shock, do not put the product in water or other liquid. Do not place or store product where it can fall or be pulled into a tub or sink.**
- **To reduce the risk of injury, do not stare at operating lamp.** Serious eye injury could occur.
- **The lens gets very hot during use.** To reduce the risk of burns, do not touch hot lens.
- **To reduce the risk of fire, keep away from combustible materials while in operation.**
- **Use only with battery packs and chargers listed below:**

BATTERY PACK	CHARGER
BA1400, BA1400-FC, BA2800, BA2800-FC, BA4200, BA4200-FC, BA1400T, BA1400T-FC, BA2240T, BA2240T-FC, BA2242T, BA2242T-FC, BA2800T, BA2800T-FC, BA4200T, BA4200T-FC, BA5600T, BA5600T-FC, BA6720T, BA6720T-FC	CH2100, CH2100-FC, CH3200, CH3200-FC, CH5500, CH5500-FC, CH2800D, CH2800D-FC, CH7000, CH7000-FC

- **Refer to the battery pack instruction manual for precautions about battery packs.**
- **Do not use a battery pack or appliance that is damaged or modified.** Damaged or modified batteries may exhibit unpredictable behavior resulting in fire, explosion or risk of injury.
- **Do not expose a battery pack or appliance to fire or excessive temperature.** Exposure to fire or temperature above 265°F (130°C) may cause explosion.

- **Follow all charging instructions and do not charge the battery pack or appliance outside of the temperature range specified in the instructions.** Charging improperly or at temperatures outside of the specified range may damage the battery and increase the risk of fire.
- **Have servicing performed by a qualified repair person using only identical replacement parts.** This will ensure that the safety of the product is maintained.
- **Do not modify or attempt to repair the appliance or the battery pack (as applicable) except as indicated in the instructions for use and care.**
- **Save these instructions.** Refer to them frequently and use them to instruct others who may use this tool. If you loan this tool to someone else, also loan these instructions to them to prevent misuse of the product and possible injury.

**SAVE THESE INSTRUCTIONS!**

## INTRODUCTION

Congratulations on your selection of the new EGO 56V LITHIUM-ION AREA LIGHT. It has been designed, engineered, and manufactured to give you the best possible dependability and performance.

Should you experience any problem you cannot easily remedy, please contact EGO customer service center 1-855-EGO-5656.


This manual contains important information on to the safe assembly, operation and maintenance of your product. Read it carefully before using the product. Keep this manual handy so you can refer to it at any time.

SERIAL NUMBER \_\_\_\_\_ DATE OF PURCHASE \_\_\_\_\_

YOU SHOULD RECORD BOTH SERIAL NUMBER AND DATE OF PURCHASE AND KEEP IN A SAFE PLACE FOR FUTURE REFERENCE.



## SPECIFICATIONS

Voltage	56 V 					
Brightness Level	1	2	3	4	5	“Boost”
Luminous Flux/ Brightness (4 panels combined)	600lm	1,600lm	3,200lm	4,800lm	6,400lm	10,000lm
Approximate run time (4 panels with EGO 56V 5.0 Ah Battery)	36h	16h	8h	5h	4h	3h*
Recommended Operating Temperature	5°F – 104°F (-15°C – 40°C)					
Recommended Storage Temperature	-4°F – 158°F (-20°C – 70°C)					
Weight (without battery pack)	9.48 lbs. (4.3 kg)					

\*The light will illuminate at 10,000lm in ambient temperature 77° F (25° C) for about 1 hour and will run for 2 more hours in brightness level 5. Please note that the 1 hour run time is entirely dependent on ambient temperature. In a cooler environment the “Boost” mode (10,000lm) will have longer run time, but in a very hot environment the “Boost” mode (10,000lm) will have a shorter run time.

## PACKING LIST

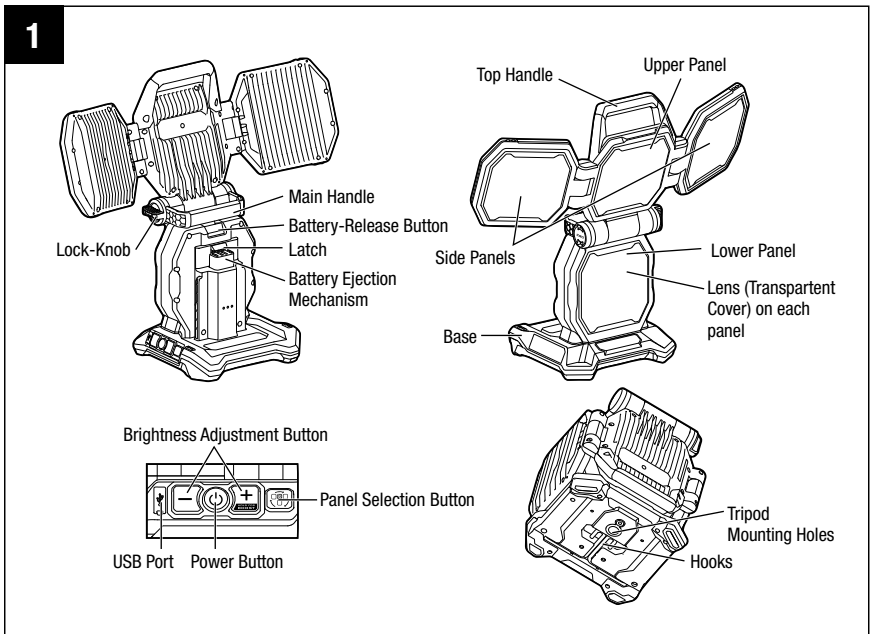
PART NAME	QUANTITY
Portable Area Light	1
Operator's manual	1



# DESCRIPTION

## KNOW YOUR AREA LIGHT (Fig. 1)

The safe use of this product requires an understanding of the information printed on the tool and in this instruction manual, as well as knowledge of the project you are attempting. Before use of this product, familiarize yourself with all operating features and safety rules.



## **TOP HANDLE**

Allows the user to carry the light when it is unfolded.

## **SIDE PANEL**

Both side panels can pivot outward, directing light within a range of 240° each in the horizontal plane.

## **UPPER PANEL**

Upper panel can pivot upward, directing light within a range of 210° in the vertical plane.

## **LOWER PANEL**

Lower panel is fixed and illuminates the area in front of the light.

## **BASE**

Provides support for the light.

## **LOCK-KNOB**

Locks upper panel at a desired angle.

## **MAIN HANDLE**

Allows the user to carry the light when it is folded.

## **BATTERY-RELEASE BUTTON**

Releases battery pack from the light.

## **LATCH**

Secures a battery pack to the light.

## **BATTERY EJECTION MECHANISM**

Aids in battery removal.

## **USB PORT**

Provides charging power of 5 Volts DC at up a combined draw of 1.5 Amperes for your USB devices.

## **BRIGHTNESS ADJUSTMENT BUTTON**

Allows user to select suitable brightness.

## **PANEL SELECTION BUTTON**

Allows user to turn some of the panels off.

## **TRIPOD MOUNTING HOLES**

The 5/8"-11 and 1/4"-20 threaded holes in the base are designed to mount the light onto most of available tripods.

## **HOOKS**

Allow the light to be hung.

## OPERATION

**⚠ WARNING:** Do not use any attachments or accessories not recommended by the manufacturer of this product. The use of attachments or accessories not recommended can result in serious personal injury.

Before each use, inspect the entire product for damaged, missing, or loose parts, such as screws, nuts, bolts, caps, etc. Tighten securely all fasteners and caps and do not operate this product until all missing or damaged parts are replaced.

## APPLICATION

You may use this product for flood lighting and area lighting.

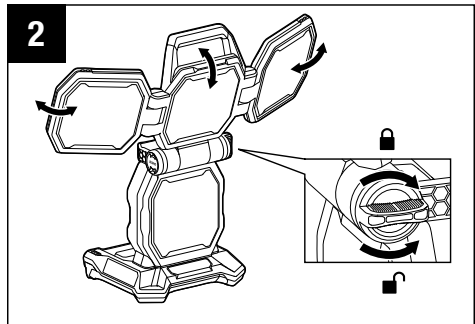
### PIVOTING THE LIGHT PANELS (Fig. 2)

The portable area light features four panels, of which three panels can be pivoted to provide the maximum light area coverage.

**NOTICE:** The lower panel is fixed to the base.

When you use the light for the first time:

1. Unfold the side panels.
2. Turn the lock-knob counterclockwise to release the upper panel.
3. Pivot the upper panel to desired angle. The upper panel can pivot within a 210° range.
4. Rotate the lock-knob clockwise to secure the upper panel in place.
5. Pivot the side panels to desired angles. Each side panel can pivot sideways within a 240° range.

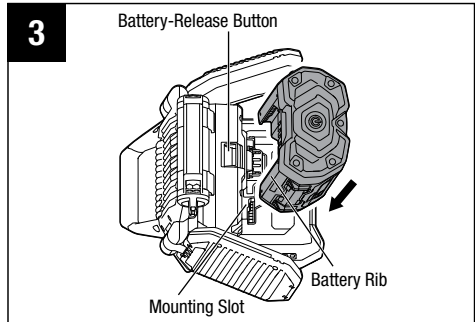


## TO INSTALL/REMOVE BATTERY PACK (Fig. 3)

**Fully charge the battery pack before first use!**

### To install

- Align the ribs of the battery pack with the mounting slots in the light's battery port.
- Press the battery pack into the battery port until it snaps into position.



### To remove

- Press the battery-release button. The battery pack will disengage from the latch and the ejection mechanism will assist with removal.
- Remove the battery pack from the light.

## TURNING THE LIGHT ON AND OFF

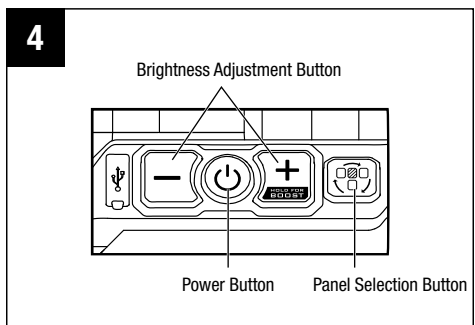
**NOTICE:** When the area light is turned on, it remembers the last active panel selection and reverts to it upon restart. However, the brightness setting always resets to the default lowest brightness level, 1 (600lm).

### Power button (Fig. 4)

- Press the power button briefly to turn the light ON.
- Press the power button briefly again to turn the light OFF.

## BRIGHTNESS ADJUSTMENT (Fig. 4)

There are five brightness levels: 1 – 5 (600lm – 6,400lm) and a temporary, “Boost” (10,000lm) brightness mode.



- Press the “+” button to increase brightness and press the “-” button to decrease the brightness.
- Press and hold the “+” button for 2-3 seconds and the brightness will switch into “Boost” mode, i. e. the maximum brightness.
- When in “Boost” mode:
  - Press the “-” button and the brightness will return to the previous level.
  - To prevent overheating, the light will automatically shift down to the brightness level 5 (6,400lm) after about an hour of operation in “Boost” mode. If this happens, allow the light to cool down and try to activate the “Boost” mode again.

## PANEL SELECTION (Fig. 4)

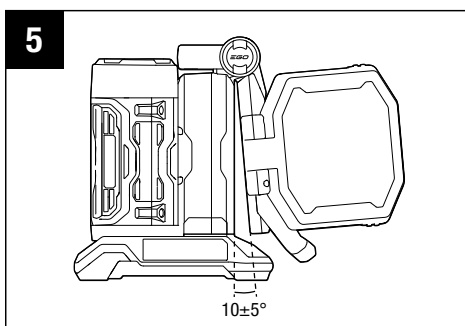
The panels (or combination of panels) can be turned on and off as desired.

- Press the “**panel selection**” button to toggle between:
  - All four panels are on,
  - Only the side panels and the upper panel are on,
  - Only the upper panel is on.
- Press and hold the “**panel selection**” button for 2-3 seconds and the light will switch into flashing, “Emergency” mode.
- When in “Emergency” mode, press any button (power button excluded) and the light will resume previous brightness setting and panel selection.

**NOTE:** In “Emergency” mode, all FOUR panels will be flashing, even if before the “Emergency” mode activation only some of the panels were active.

## AUTOMATIC SHUTOFF (Fig. 5)

This area light features an automatic shutoff switch that will turn the light off if upper panel is folded within  $10\pm 5^\circ$  from the lower panel.



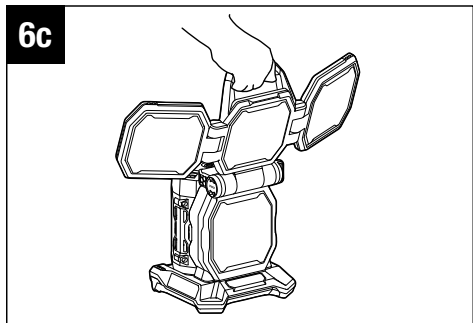
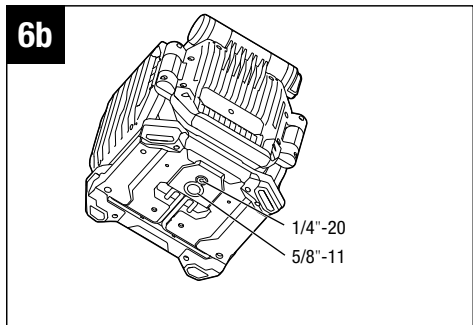
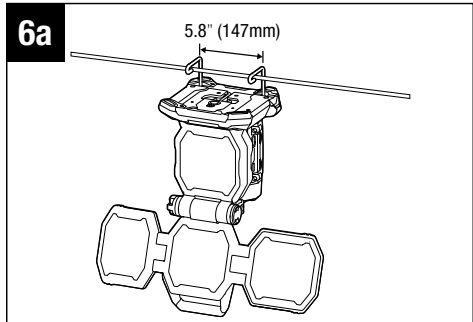
## USING THE LIGHT (Fig. 6a – 6c)

**⚠ WARNING:** Ensure the light is securely installed to prevent falling object hazard. Failure to follow the instruction can result in serious personal injury.

- **To hang the light**, pull out the hooks located in the base of the unit and hang the light upside down. The hook spacing is 5.8" (147mm). **Make sure the object that the light is hung on is sturdy enough to support the combined weight of the light and the battery pack.**
- **To mount the light to a tripod** (not included), secure the tripod screw to one of the tripod mounting holes on the bottom of the base. The base features a 5/8"-11 and 1/4"-20 threaded holes. **Make sure the tripod is placed on a flat level surface.**

**⚠ WARNING:** Make sure the tripod is sturdy enough to support the combined weight of the light and the battery pack.

- **For portable illumination**, carry the light by top handle (Fig. 6c).



## MAINTENANCE

**⚠ WARNING:** When servicing, use only identical replacement parts. Use of any other parts may create a hazard or cause product damage. To ensure safety and reliability, all repairs should be performed by a qualified service technician.

**⚠ WARNING:** To avoid serious personal injury, always remove the battery pack from the product when cleaning or performing any maintenance.

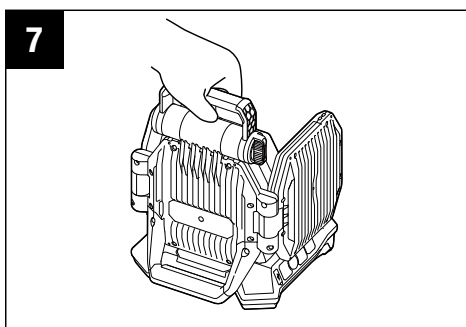
### GENERAL MAINTENANCE

Avoid using solvents when cleaning plastic parts. Most plastics are susceptible to damage from various types of commercial solvents and may be damaged by their use. Use a piece of clean cloth to remove dirt, dust, oil, grease, etc.

**⚠ WARNING:** Do not at any time let brake fluids, gasoline, petroleum-based products, penetrating oils, etc. come in contact with plastic parts. Chemicals can damage, weaken or destroy plastic which may result in serious personal injury.

### TRANSPORT

1. Turn the light off and remove the battery pack.
2. Fold the hooks (if used) back into the base of the light.
3. Release the lock-knob and fold the upper panel into storage position, then secure the lock-knob.
4. Fold the side panels.
5. Carry the light by the main handle. Main handle can be pivoted within 215° range and fixed at a desired angle by the lock-knob if necessary (Fig. 7).



### STORAGE

1. Turn the light off and remove the battery pack.
2. Fold the hooks (if used) back into the base of the light.



3. Release the lock-knob and fold the upper panel into storage position, then secure the lock-knob.
4. Fold the side panels.
5. Store the light in a dry, well-ventilated area, out of the reach of the children.  
Do not store the light on or adjacent to fertilizers, gasoline, or other chemicals.

## TROUBLESHOOTING

PROBLEM	CAUSE	SOLUTION
The light does not work.	<ul style="list-style-type: none"> <li>■ Low battery capacity.</li> <li>■ Battery pack is not correctly attached to the light.</li> <li>■ The light features an automatic shutoff switch that prevents the light from being turned on when the upper panel is folded.</li> <li>■ Other unidentified causes.</li> </ul>	<ul style="list-style-type: none"> <li>■ Charge battery pack.</li> <li>■ Attach battery pack to light correctly.</li> <li>■ Unfold the upper panel to an angle over 15°.</li> <li>■ Contact a qualified service technician for repair.</li> </ul>
The light in “Boost” mode shifts down to a lower brightness over time.	<ul style="list-style-type: none"> <li>■ This is a safety feature to prevent the light from overheating.</li> </ul>	<ul style="list-style-type: none"> <li>■ Allow the light to cool down and try to reactivate the “Boost” mode by pressing and holding the “+” button for 2-3 seconds.</li> </ul>
The USB device cannot be charged via the USB port.	<ul style="list-style-type: none"> <li>■ The user didn’t turn on the light before charging the USB device.</li> </ul>	<ul style="list-style-type: none"> <li>■ Briefly press the power button to turn on the light – this will activate the USB port. Even if the light is turned off during USB charging process, the connected USB device will continue charging for about 2 hours.</li> </ul>
The light turns off suddenly during use.	<ul style="list-style-type: none"> <li>■ The light features an automatic shutoff switch that will turn the light off if upper panel is folded <math>10\pm 5^\circ</math> from the lower panel.</li> </ul>	<ul style="list-style-type: none"> <li>■ Make sure the upper panel is unfolded to an angle over 15°.</li> </ul>
The main handle could not be rotated.	<ul style="list-style-type: none"> <li>■ The handle is fixed by the lock-knob.</li> </ul>	<ul style="list-style-type: none"> <li>■ Rotate the lock-knob counterclockwise to loosen the main handle.</li> </ul>

# WARRANTY

## EGO WARRANTY POLICY

5-year limited warranty on EGO POWER+ outdoor power equipment and portable power for personal, household use.

3-year limited warranty on EGO POWER+ System battery packs and chargers for personal, household use. An additional 2-year extended warranty applies for the 10.0Ah/12.0Ah battery whether sold separately (Model# BA5600T/BA6720T) or included with any tool, if it is registered within 90 days of purchase. 5-year limited warranty on CHV1600 charger, designed for use with Zero Turn Riding Mower for personal, household use.

2 year/1year limited warranty on EGO outdoor power equipment, portable power, battery packs, and chargers for professional and commercial use.

The detailed warranty periods by products can be found online at <http://egopowerplus.com/pages/warranty-policy>.

**Please contact EGO Customer Service Toll-Free at 1-855-EGO-5656** any time you have questions or warranty claims.

## LIMITED SERVICE WARRANTY

EGO products are warranted against defects in material or workmanship from the date of original retail purchase for the applicable warranty period. Defective product will receive free repair.

- a) This warranty applies only to the original purchaser from an authorized EGO retailer and may not be transferred. Authorized EGO retailers are identified online at <http://egopowerplus.com/pages/warranty-policy>.
- b) The warranty period for reconditioned or factory certified products used for residential purpose is 1 year, for industrial, professional or commercial purpose is 90 days.
- c) The warranty period for routine maintenance parts, such as, but not limited to, blades, trimmer heads, chain bars, saw chains, belts, scraper bars, blower nozzles, and all other EGO accessories is 90 days for residential purpose, 30 days for industrial, professional or commercial purpose. These parts are covered for 90/30 days from manufacture defects in normal working conditions.



- d) This warranty is void if the product has been used for rental purpose.
- e) This warranty does not cover the damage resulting from modification, alteration or unauthorized repair.
- f) This warranty only covers defects arising under normal usage and does not cover any malfunction, failure or defect resulting from misuse, abuse (including overloading of the product beyond capacity and immersion in water or other liquid), accidents, neglect or lack of proper installation, and improper maintenance or storage.
- g) This warranty does not cover normal deterioration of the exterior finish, including but not limited to scratches, dents, paint chips, or to any corrosion or discoloring by heat, abrasive and chemical cleaners.

## HOW TO OBTAIN SERVICE

For warranty service, please contact EGO customer service toll-free at **1-855-EGO-5656**. When requesting warranty service, you must present the original dated sales receipt. An authorized service center will be selected to repair the product according to the stated warranty terms. When bringing your product to the authorized service center, there may be a small deposit that will be required when dropping off your tool. This deposit is refundable when the repair service is deemed to be covered under warranty.

## ADDITIONAL LIMITATIONS

To the extent permitted by applicable law, all implied warranties, including warranties of MERCHANTABILITY or FITNESS FOR A PARTICULAR PURPOSE, are disclaimed. Any implied warranties, including warranties of merchantability or fitness for a particular purpose, that cannot be disclaimed under state law are limited to the applicable warranty period defined at the beginning of this article.

Chervon North America is not responsible for direct, indirect, incidental or consequential damages.

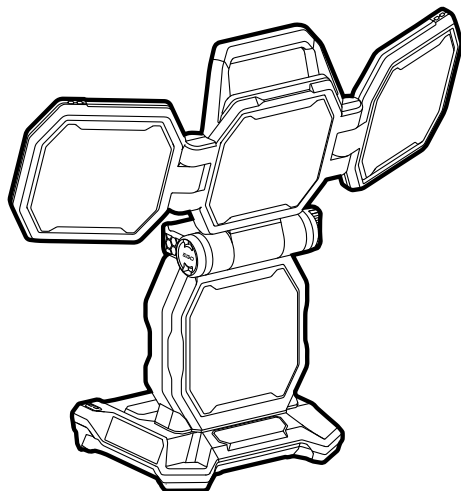
Some states do not allow limitations on how long an implied warranty lasts and/or do not allow the exclusion or limitation of incidental or consequential damages, so the above limitations may not apply to you.

This warranty gives you specific legal rights, and you may also have other rights which vary from state to state.

For customer service contact us toll-free at: **1-855-EGO-5656** or **EGOPOWERPLUS.COM**. EGO Customer Service, 769 SEWARD AVE NW / Suite 102 Grand Rapids, MI 49504

# EGO™

POWER<sup>+</sup> LIGHT



GUIDE D'UTILISATION

## LAMPE D'ÉCLAIRAGE DE ZONE PORTABLE AU LITHIUM-ION DE 56 V

NUMÉRO DE MODÈLE LT1000/ LT1000-FC

**⚠ AVERTISSEMENT :** Afin de réduire les risques de blessure, l'utilisateur doit lire et comprendre le guide d'utilisation avant d'utiliser ce produit. Conservez le présent guide afin de pouvoir le consulter ultérieurement.

## **TABLE DES MATIÈRES**

Déclaration de Conformité FCC .....	23
Symboles de sécurité .....	24
Consignes de Sécurité Importantes.....	25-27
Introduction .....	28
Spécifications .....	29
Liste des pièces.....	29
Description .....	30-32
Utilización .....	33-37
Matenance.....	38-39
Recherche de La Cause Des Problèmes .....	40
Garantie .....	41-42

## DÉCLARATION DE CONFORMITÉ FCC

1. Ce luminaire est conforme à la Partie 15 des Règlements de la FCC. Son utilisation est autorisée moyennant le respect des deux conditions suivantes :
  - 1) Ce dispositif ne doit pas causer d'interférences préjudiciables.
  - 2) Ce dispositif doit accepter toute interférence reçue, y compris les interférences qui risquent de causer un fonctionnement indésirable de l'équipement.
2. Toute modification ou altération de ce dispositif n'ayant pas été approuvée expressément par la partie responsable de la conformité pourrait annuler le droit de l'utilisateur de se servir de cet équipement.

**AVIS:** Ce luminaire a été testé et jugé conforme aux limites pour un équipement numérique de Classe B en vertu de la Partie 15 des Règlements de la FCC. Ces limites sont conçues pour assurer une protection raisonnable contre les interférences nuisibles dans une installation résidentielle. Cet équipement émet, utilise et peut rayonner de l'énergie de fréquence radio et, s'il n'est pas installé et utilisé conformément aux instructions, il pourrait causer des interférences nuisibles aux communications radio. Cependant, il n'existe aucune garantie qu'aucune interférence ne se produira dans une installation particulière. Si cet équipement cause des interférences nuisibles pour la réception de programmes à la radio ou à la télévision, ce qui peut être déterminé en allumant et en éteignant à plusieurs reprises l'équipement en question, l'utilisateur est encouragé à corriger l'interférence en prenant une ou plusieurs des mesures suivantes : Réorienter ou déplacer l'antenne de réception. Augmenter la distance entre l'équipement et le récepteur. Connecter l'équipement à une prise de courant raccordée à un circuit différent de celui auquel le récepteur est connecté. Consulter le détaillant ou un technicien radio ou télévision expérimenté pour lui demander conseil.

# LISEZ TOUTES LES INSTRUCTIONS !



LISEZ LE MODE D'EMPLOI ET  
ASSUREZ-VOUS QUE VOUS LE COMPRENEZ

## SYMBOLES DE SÉCURITÉ

### SYMBOLES RELATIFS À LA SÉCURITÉ

La raison d'être des symboles relatifs à la sécurité est d'attirer votre attention sur des dangers possibles. Il est important de vous familiariser avec les symboles relatifs à la sécurité et les explications qui les accompagnent afin de bien les comprendre. Les avertissements et les symboles associés ne suffisent pas à éliminer tous les dangers. Les instructions et les avertissements qu'ils donnent ne sauraient remplacer des mesures de prévention des accidents appropriées.

**⚠ AVERTISSEMENT :** Lisez toutes les consignes de sécurité qui sont contenue dans ce Mode d'emploi, y compris tous les symboles d'alerte relatifs à la sécurité tels que « **DANGER** », « **AVERTISSEMENT** » et « **MISE EN GARDE** », et assurez-vous que vous les comprenez bien avant de commencer à utiliser cet outil. La non-observation de toutes les instructions figurant ci-après pourrait causer un choc électrique, un incendie et/ou des blessures personnelles graves.

### MESSAGES D'INFORMATION ET DE PRÉVENTION DES DOMMAGES

Ils informent l'utilisateur d'informations et/ou d'instructions importantes qui pourraient entraîner des dommages matériels ou aux équipements s'ils ne sont pas suivis. Chaque message est précédé par le terme « **AVIS** », comme dans l'exemple ci-dessous :

**AVIS :** Un dommage matériel et/ou aux équipements peut survenir si ces instructions ne sont pas suivies.



# CONSIGNES DE SÉCURITÉ IMPORTANTES

Cette page représente et décrit les symboles de sécurité qui peuvent figurer sur ce produit. Lisez, comprenez et suivez toutes les instructions figurant sur la lampe avant de l'assembler et de commencer à l'utiliser.

	Alerte à la sécurité	Précautions en liaison avec votre sécurité.
	Lisez le mode d'emploi, et assurez-vous que vous le comprenez.	Pour réduire le risque de blessure, l'utilisateur doit lire et comprendre le mode d'emploi avant de commencer à utiliser ce produit.
	Faisceau lumineux	Ne regardez pas directement la source du faisceau lumineux.
	Surface très chaude.	Risque de brûlures Ne pas toucher la surface chaude.
	Symboles de recyclage	Ce produit utilise des piles au lithium-ion (Li-ion). Les lois et règlements locaux, provinciaux et fédéraux interdisent peut-être de jeter des piles au lithium-ion dans les ordures ordinaires. Consultez votre service municipal responsable de la gestion des déchets pour déterminer quelles sont les options de recyclage et/ou d'élimination possibles.
	Courant continu	Type ou caractéristique du courant
IPX4	Indice de protection	Protection contre les éclaboussures d'eau
V	Volts	Tension
min	Minutes	Heure
A	Ampères	Courant

mm	Millimètres	Longueur de la taille
lm	Lumens	Flux lumineux
h	Heures	Heure

## INSTRUCTIONS DE SÉCURITÉ POUR LA LAMPE D'ÉCLAIRAGE DE ZONE SANS FIL

**⚠ AVERTISSEMENT !** Des précautions élémentaires doivent toujours être prises lors de l'utilisation de lampes ou de lanternes, notamment les précautions suivantes :

- **Pour réduire le risque de blessure, une supervision attentive est nécessaire lorsqu'un produit est utilisé à proximité d'enfants.**
- **Ne touchez pas de pièces très chaudes.**
- **N'utilisez que les attachements recommandés ou vendus par le fabricant.**
- **N'utilisez pas ce luminaire sous la pluie.**
- **Pour réduire le risque de choc électrique, n'immergez pas ce luminaire dans de l'eau ou dans tout autre liquide. Ne le placez pas et ne le rangez pas dans un endroit où il pourrait tomber ou être attiré dans une baignoire, dans un lavabo ou dans un évier.**
- **Pour réduire le risque de blessure, ne fixez pas des yeux la lampe allumée.** Ceci pourrait causer de graves blessures aux yeux.
- **La lentille devient extrêmement chaude pendant son fonctionnement.** Ne touchez pas une lentille très chaude pour réduire le risque de brûlure.
- **Pour réduire le risque d'incendie, maintenez-la à bonne distance de tous matériaux combustibles pendant son fonctionnement.**
- **N'utilisez qu'avec les blocs-piles et chargeurs indiqués ci-dessous :**

BLOC-PILES	CHARGEUR
BA1400, BA1400-FC, BA2800, BA2800-FC, BA4200, BA4200-FC, BA1400T, BA1400T-FC, BA2240T, BA2240T-FC, BA2242T, BA2242T-FC, BA2800T, BA2800T-FC, BA4200T, BA4200T-FC, BA5600T, BA5600T-FC, BA6720T, BA6720T-FC	CH2100, CH2100-FC, CH3200, CH3200-FC, CH5500, CH5500-FC, CH2800D, CH2800D-FC, CH7000, CH7000-FC

- **Reportez-vous au mode d'emploi du bloc-piles pour connaître les précautions à prendre concernant les blocs-piles.**
- **N'utilisez pas un bloc-piles ou un luminaire qui est endommagé ou a été modifié.** Des piles endommagées ou modifiées peuvent se comporter de façon imprévisible et causer un incendie, une explosion ou des blessures.
- **N'exposez pas un bloc-piles ou un luminaire à un feu ou à une température excessive.** L'exposition à un feu ou à une température supérieure à 130° C / 265° F pourrait causer une explosion.
- **Suivez toutes les instructions relatives à la charge et ne chargez pas le bloc-piles ou le luminaire en dehors de la plage de température indiquée dans les instructions.** Une charge dans des conditions appropriées ou à des températures en dehors de la plage spécifiée pourrait endommager les piles et augmenter le risque d'incendie.
- **Faites réparer votre produit par un réparateur compétent n'utilisant que des pièces de rechange identiques.** Ceci assurera le maintien de la sécurité du produit.
- Ne modifiez pas et ne tentez pas de réparer le luminaire ou le bloc-piles (suivant le cas), sauf conformément à ce qui est indiqué dans les instructions d'entretien et dans le mode d'emploi.
- **Conservez ces instructions.** Consultez-les fréquemment et utilisez-les pour donner les instructions nécessaires à d'autres personnes qui peuvent utiliser cet outil. Si vous prêtez cet outil à quelqu'un d'autre, donnez également ces instructions à la personne à laquelle vous le prêtez pour éviter toute utilisation abusive du produit et tout risque de blessure.

**CONSERVEZ CES INSTRUCTIONS !**

## INTRODUCTION

Félicitations pour votre choix de la LAMPE D'ÉCLAIRAGE DE ZONE AU LITHIUM-ION EGO DE 56 V. Elle a été conçue, développée et fabriquée pour vous donner le plus possible de fiabilité et de performance.

Si vous rencontrez un problème auquel vous ne pouvez pas remédier facilement, veuillez contacter le centre de service à la clientèle EGO 1-855-EGO-5656.

Ce mode d'emploi contient des informations importantes sur l'assemblage, l'utilisation et l'entretien de votre produit en toute sécurité. Lisez-le attentivement avant d'utiliser le produit. Conservez ce mode d'emploi à portée de main afin de pouvoir vous y référer à tout moment.

NUMÉRO DE SÉRIE \_\_\_\_\_ DATE D'ACHAT \_\_\_\_\_

LES NUMÉROS DE MODÈLE ET DE SÉRIE SE TROUVENT SUR LA PLAQUE SIGNALÉTIQUE FIXÉE AU CLAPET D'ÉVACUATION ARRIÈRE.

NOUS VOUS RECOMMANDONS DE PRENDRE EN NOTE LE NUMÉRO DE SÉRIE ET LA DATE D'ACHAT ET DE LES CONSERVER EN LIEU SÛR AFIN DE POUVOIR LES CONSULTER ULTÉRIEUREMENT.

# SPÉCIFICATIONS

Tension	56 V					
Niveau de luminosité	1	2	3	4	5	« Boost »
Flux lumineux/ luminosité (4 panneaux combinés)	600lm	1600lm	3200lm	4800lm	6400lm	10000lm
Durée de fonctionnement approximative (4 panneaux avec la pile EGO de 56 V 5,0 Ah)	36h	16h	8h	5h	4h	3h*
Température de fonctionnement recommandée	5°F – 104°F (-15°C – 40°C)					
Température de stockage recommandée	-4°F – 158°F (-20°C – 70°C)					
Poids (sans le bloc-piles)	9.48 lbs. (4.3 kg)					

\*La lumière s'allume à 10 000 lm à une température ambiante de 25 °C / 77° F pendant environ 1 heure et fonctionne pendant 2 heures de plus au niveau de luminosité 5. Veuillez noter que la durée de fonctionnement d'une heure dépend entièrement de la température ambiante. Dans un environnement plus frais, le mode « Boost » (10 000 lm) aura une durée de fonctionnement plus longue, mais dans un environnement très chaud, le mode « Boost » (10 000 lm) aura une durée de fonctionnement plus courte.

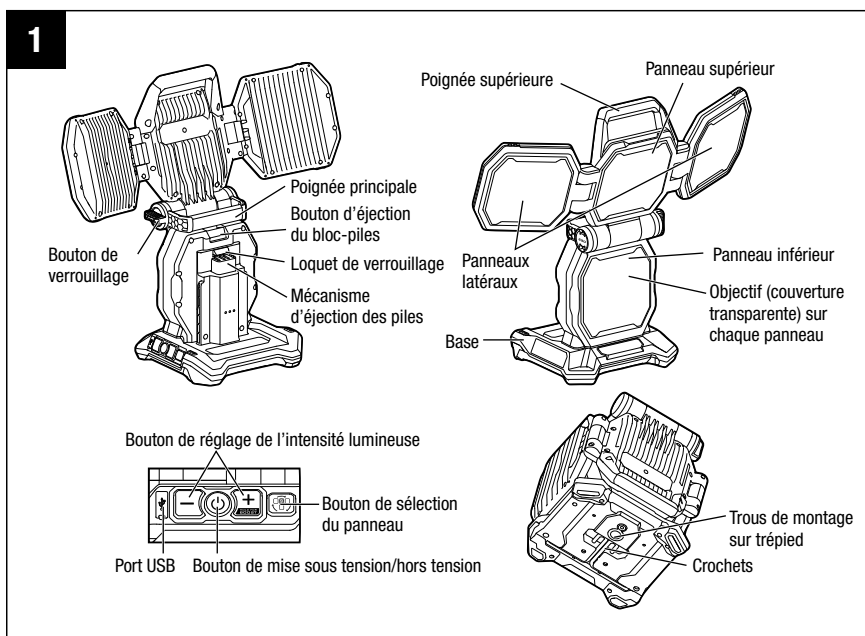
# LISTE DES PIÈCES

NOM DE LA PIÈCE	QUANTITÉ
Lampe d'éclairage de zone portative	1
Mode d'emploi	1

# DESCRIPTION

## FAMILIARISEZ-VOUS AVEC VOTRE LAMPE D'ÉCLAIRAGE DE ZONE (Fig. 1)

Pour que ce produit puisse être utilisé en toute sécurité, il est nécessaire de comprendre les informations figurant sur le produit et dans son mode d'emploi, et de bien maîtriser le projet que vous voulez réaliser. Avant d'utiliser ce produit, familiarisez-vous avec toutes ses fonctionnalités et les consignes de sécurité qui s'y appliquent.



## **POIGNÉE SUPÉRIEURE**

Permet à l'utilisateur de transporter la lampe lorsqu'elle est dépliée.

## **PANNEAUX LATÉRAUX**

Les deux panneaux latéraux peuvent pivoter vers l'extérieur, dirigeant chacun la lumière dans une plage de 240° sur le plan horizontal.

## **PANNEAU SUPÉRIEUR**

Le panneau supérieur peut pivoter vers le haut, dirigeant la lumière dans une plage de 210° sur le plan vertical.

## **PANNEAU INFÉRIEUR**

Le panneau inférieur est fixe et éclaire la zone située devant la lumière.

## **BASE**

Fournit un support pour la lumière.

## **BOUTON DE VERROUILLAGE**

Verrouille le panneau supérieur à l'angle souhaité.

## **POIGNÉE PRINCIPALE**

Permet à l'utilisateur de transporter la lampe lorsqu'elle est pliée.

## **BOUTON D'ÉJECTION DU BLOC-PILES**

Détache le bloc-piles de la lampe.

## **LOQUET DE VERROUILLAGE**

Sécurise le bloc-piles sur la lampe.

## **MÉCANISME D'ÉJECTION DES PILES**

Aide à retirer les piles.

## **PORT USB**

Fournit une puissance de charge de 5 V c.c. permettant un appel de courant combiné de 1,5 A pour vos dispositifs USB.

## **BOUTON DE RÉGLAGE DE L'INTENSITÉ LUMINEUSE**

Permet à l'utilisateur de sélectionner la luminosité appropriée.

## **BOUTON DE SÉLECTION DU PANNEAU**

Permet à l'utilisateur de désactiver certains des panneaux.

## **TROUS DE MONTAGE SUR TRÉPIED**

Les trous filetés de 5/8 po-11 et 1/4 po-20 de la base sont conçus pour monter la lampe sur la plupart des trépieds disponibles.

## **CROCHETS**

Permettent à la lampe d'être accrochée.



# UTILIZACIÓN

**⚠ AVERTISSEMENT :** N'utilisez pas d'attaches ou d'accessoires qui ne sont pas recommandés par le fabricant de ce produit. L'utilisation d'attaches ou d'accessoires qui ne sont pas recommandés peut causer des blessures graves.

Avant chaque utilisation, inspectez l'ensemble du produit pour vous assurer qu'aucun composant (p. ex., vis, écrous, boulons, capuchons) n'est endommagé, manquant ou desserré. Serrez fermement toutes les attaches de fixation et les capuchons, et N'utilisez pas ce produit jusqu'à ce que toutes les pièces manquantes ou endommagées aient été remplacées.

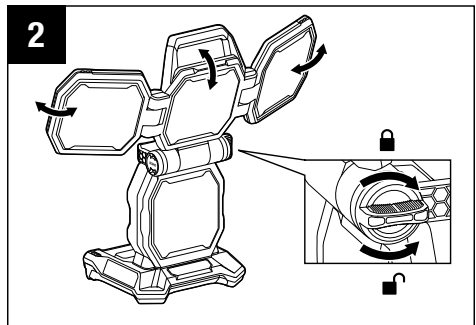
## APPLICATION

Vous pouvez utiliser ce produit pour un éclairage par projecteur et un éclairage de zone.

### PIVOTEMENT DES PANNEAUX D'ÉCLAIRAGE (Fig. 2)

Cette lampe d'éclairage de zone portable comporte quatre panneaux, dont trois peuvent être pivotés pour offrir une couverture maximale de la zone d'éclairage.

**AVIS :** Le panneau inférieur est fixé à la base.



Lorsque vous utilisez la lampe pour la première fois :

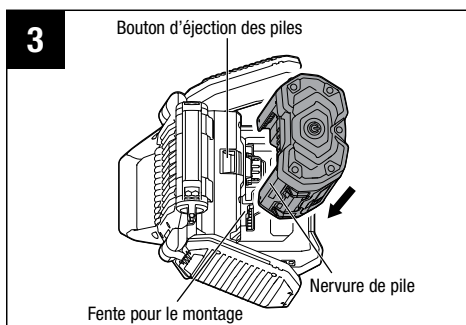
1. Dépliez les panneaux latéraux.
2. Tournez le bouton de verrouillage dans le sens contraire des aiguilles d'une montre pour libérer le panneau supérieur.
3. Faites pivoter le panneau supérieur à l'angle souhaité. Le panneau supérieur peut pivoter dans une plage de 210°.
4. Tournez le bouton de verrouillage dans le sens des aiguilles d'une montre pour fixer le panneau supérieur en place.
5. Faites pivoter les panneaux latéraux selon l'angle souhaité. Chaque panneau latéral peut pivoter latéralement dans une plage de 240°.

## INSTALLATION / RETRAIT DU BLOC-PILES (Fig. 3)

**Chargez complètement le bloc-piles avant de vous en servir pour la première fois !**

### Installation

- Alignez les nervures du bloc-piles sur les fentes de montage de l'orifice d'insertion des piles de la lampe.
- Enfoncez le bloc-piles dans l'orifice d'insertion des piles jusqu'à ce qu'il s'enclenche à sa place.



### Retrait

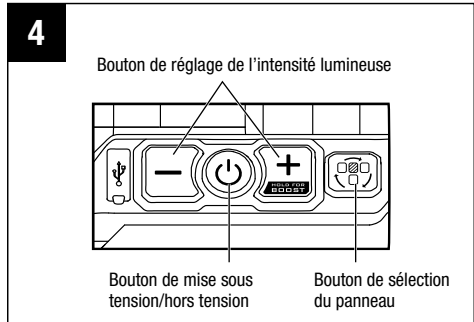
- Appuyez sur le bouton d'éjection des piles. Le bloc-piles se désengage du loquet, et le mécanisme d'éjection aide à le retirer.
- Détachez le bloc-piles de la lampe.

## POUR ALLUMER ET ÉTEINDRE LA LAMPE

**AVIS:** Lorsque la fonction d'éclairage de la zone est activée, elle se souvient de la dernière sélection de panneaux active et y revient après le redémarrage. Cependant, le paramètre de luminosité se réinitialise toujours au niveau de luminosité le plus faible par défaut, 1 (600 lm).

## Bouton de mise sous tension/ hors tension (Fig. 4)

- Appuyez brièvement sur le bouton de mise sous tension/ hors tension pour allumer la lampe.
- Appuyez à nouveau brièvement sur le bouton de mise sous tension/hors tension pour éteindre la lumière.



## RÉGLAGE DE LA LUMINOSITÉ (Fig. 4)

Il existe cinq niveaux de luminosité : 1 - 5 (600 lm - 6 400 lm) et un mode de luminosité temporaire, « Boost » (10 000 lm).

- Appuyez sur le bouton « + » pour augmenter la luminosité, et sur le bouton « - » pour la diminuer.
- Appuyez sur le bouton « + » et maintenez-le enfoncé pendant 2 à 3 secondes ; la luminosité passera alors en mode « Boost », c'est-à-dire la luminosité maximale.
- Quand la lampe est dans le mode
  - Appuyez sur le bouton « - » et la luminosité reviendra au niveau précédent.
  - Pour éviter toute surchauffe, la lumière redescendra automatiquement au niveau de luminosité 5 (6 400 lm) après environ une heure de fonctionnement en mode « Boost ». Si cela se produit, laissez le luminaire refroidir et essayez à nouveau d'activer le mode « Boost ».

## SÉLECTION DES PANNEAUX (Fig. 4)

Les panneaux (ou une combinaison de panneaux) peuvent être activés et désactivés à volonté.

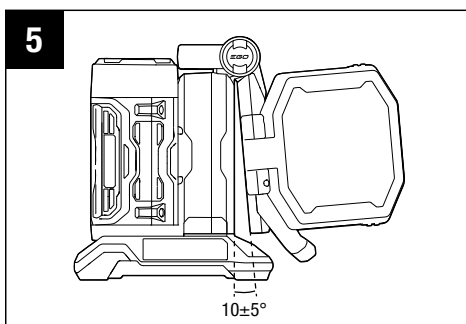
- Appuyez sur le bouton de sélection du panneau pour basculer entre les deux :
  - Les quatre panneaux sont allumés,
  - Seuls les panneaux latéraux et le panneau supérieur sont allumés,
  - Seul le panneau supérieur est allumé.

- Appuyez sur le bouton de sélection du panneau et maintenez-le enfoncé pendant 2 à 3 secondes pour que la lampe passe en mode clignotant « Urgence ».
- En mode « Urgence », appuyez sur n'importe quel bouton (à l'exception du bouton de mise sous tension/hors tension) et la lumière reviendra au réglage précédent de la luminosité pour le panneau sélectionné.

**REMARQUE :** En mode « Urgence », les QUATRE panneaux clignoteront, même si avant l'activation du mode « Urgence », seuls certains des panneaux étaient allumés.

### ARRÊT AUTOMATIQUE (Fig. 5)

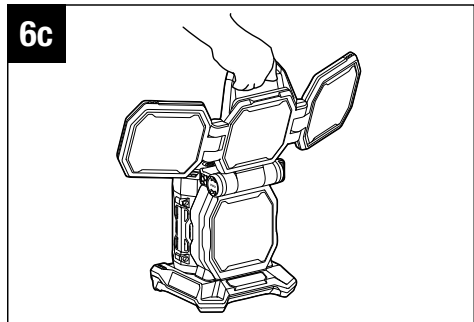
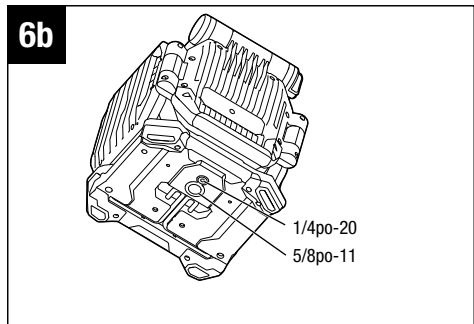
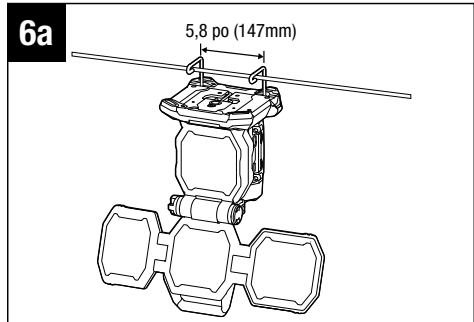
Cette lampe d'éclairage de zone est dotée d'un interrupteur automatique qui éteint la lumière si le panneau supérieur est plié à moins de  $10\pm 5^\circ$  du panneau inférieur.



## UTILISATION DE LA LUMIÈRE (Fig. 6a - 6c)

**⚠ AVERTISSEMENT :** Assurez-vous que la lampe est bien installée pour éviter tout risque de chute d'objet. Si vous ne tenez pas compte de cet avertissement, vous risquez de vous blesser grièvement.

- **Pour suspendre la lampe,** tirez les crochets situés sur la base de la lampe et suspendez la lampe à l'envers. L'espacement des crochets est de 147mm / 5,8" po. **Assurez-vous que l'objet auquel la lampe est suspendue est suffisamment solide pour supporter le poids combiné de la lampe et du bloc-piles.**
- **Pour monter la lumière sur un trépied** (non inclus), attachez la vis du trépied dans l'un des trous de montage du trépied situés au bas de la base. La base comporte des trous filetés de 5/8 po-11 et 1/4 po-20. **Assurez-vous que le trépied est placé sur une surface plane et horizontale.**



**⚠ AVERTISSEMENT :** Assurez-vous que le trépied est suffisamment solide pour supporter le poids combiné de la lampe et du bloc-piles.

- **Pour un éclairage portable,** portez la lampe par la poignée supérieure (Fig. 6c).

## MAINTENANCE

**⚠ AVERTISSEMENT** : Lors de toute réparation, n'utilisez que des pièces de rechange identiques. L'utilisation de toutes autres pièces de rechange pourrait créer un danger ou endommager le produit. Pour assurer la sécurité et la fiabilité, toutes les réparations doivent être effectuées par un technicien de service qualifié.

**⚠ AVERTISSEMENT** : Pour éviter des blessures graves, retirez toujours le bloc-piles de l'équipement lorsque vous le nettoyez ou quand vous effectuez des travaux de maintenance.

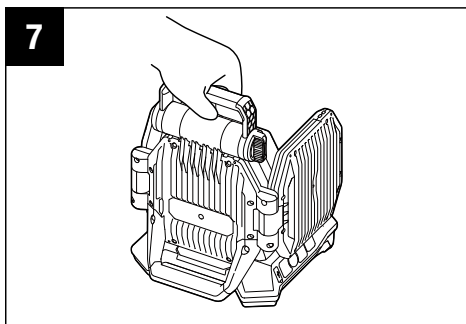
### MAINTENANCE GÉNÉRALE

Évitez d'utiliser des solvants lorsque vous nettoyez des pièces en plastique. La plupart des plastiques sont susceptibles d'être endommagés par divers types de solvants commerciaux, et ils pourraient l'être si vous les utilisez. Utilisez un chiffon propre pour retirer les saletés, la poussière, l'huile, la graisse, etc.

**⚠ AVERTISSEMENT** : Ne laissez jamais de liquide de frein, d'essence, de produits à base de pétrole, d'huiles pénétrantes, etc. entrer en contact avec des composants en plastique. Les produits chimiques peuvent endommager, affaiblir ou détruire le plastique, ce qui pourrait causer des blessures graves.

### TRANSPORT

1. Éteignez la lumière et retirez le bloc-piles.
2. Repliez les crochets (si vous les utilisez) dans la base de la lampe.
3. Relâchez le bouton de verrouillage et repliez le panneau supérieur en position de rangement, puis sécurisez le bouton de verrouillage.
4. Pliez les panneaux latéraux.
5. Transportez la lampe par la poignée principale. La poignée principale peut pivoter dans une plage de 215° et être fixée à l'angle souhaité par le bouton de verrouillage si nécessaire (Fig. 7).



## **RANGEMENT**

1. Éteignez la lumière et retirez le bloc-piles.
2. Repliez les crochets (si vous les utilisez) dans la base de la lampe.
3. Relâchez le bouton de verrouillage et repliez le panneau supérieur en position de rangement, puis sécurisez le bouton de verrouillage.
4. Pliez les panneaux latéraux
5. Rangez l'outil dans un endroit sec et bien aéré, verrouillé ou en hauteur, hors de portée des enfants. Ne rangez pas cet équipement sur des engrais, de l'essence ou d'autres produits chimiques, ou à proximité de ceux-ci.

## RECHERCHE DE LA CAUSE DES PROBLÈMES

PROBLÈME	CAUSE	SOLUTION
La lumière ne fonctionne pas.	<ul style="list-style-type: none"> <li>■ Pile partiellement déchargée.</li> <li>■ Le bloc-piles n'est pas attaché à la lampe.</li> <li>■ La lampe est dotée d'un interrupteur d'arrêt automatique qui empêche l'allumage de la lampe lorsque le panneau supérieur est plié.</li> <li>■ Autres causes non identifiées.</li> </ul>	<ul style="list-style-type: none"> <li>■ Chargez le bloc-piles.</li> <li>■ Attachez correctement le bloc-piles à la lampe.</li> <li>■ Dépliez le panneau supérieur à un angle supérieur à 15°.</li> <li>■ Contactez un technicien de maintenance qualifié pour la réparation.</li> </ul>
En mode « Boost », la lumière passe à une luminosité plus faible au fil du temps.	<ul style="list-style-type: none"> <li>■ Il s'agit d'une fonction de sécurité destinée à empêcher la lampe de surchauffer.</li> </ul>	<ul style="list-style-type: none"> <li>■ Laissez le luminaire refroidir et essayez de réactiver le mode « Boost » en appuyant sur le bouton « + » et en le maintenant enfoncé pendant 2 à 3 secondes.</li> </ul>
Le périphérique USB ne peut pas être chargé via le port USB.	<ul style="list-style-type: none"> <li>■ L'utilisateur n'a pas allumé la lumière avant de charger le dispositif USB.</li> </ul>	<ul style="list-style-type: none"> <li>■ Appuyez brièvement sur le bouton d'alimentation pour allumer la lumière – cela activera le port USB. Même si la lumière est éteinte pendant le processus de charge USB, le dispositif USB connecté continuera à charger pendant environ 2 heures.</li> </ul>
La lumière s'éteint soudainement pendant l'utilisation.	<ul style="list-style-type: none"> <li>■ Cette lampe est dotée d'un interrupteur automatique qui éteint la lumière si le panneau supérieur est plié à 10±5° du panneau inférieur.</li> </ul>	<ul style="list-style-type: none"> <li>■ Assurez-vous que le panneau supérieur est déplié à un angle supérieur à 15°.</li> </ul>
La poignée principale n'a pas pu être tournée.	<ul style="list-style-type: none"> <li>■ La poignée est fixée en place par le bouton de verrouillage.</li> </ul>	<ul style="list-style-type: none"> <li>■ Tournez le bouton de verrouillage dans le sens contraire des aiguilles d'une montre pour desserrer la poignée principale.</li> </ul>



# GARANTIE

## POLITIQUE D'EGO EN MATIÈRE DE GARANTIE

Garantie limitée de 5 ans sur les équipements d'alimentation électrique d'extérieur EGO POWER+ et les équipements d'alimentation électrique portable pour un usage personnel et domestique.

Garantie limitée de 3 ans sur les blocs-piles et chargeurs du système EGO POWER+ pour un usage personnel et domestique. Une extension de garantie supplémentaire de deux ans s'applique à la pile de 10,0 Ah/12,0 Ah, qu'elle soit vendue séparément (Modèle N° BA5600T/BA6720T) ou incluse avec un outil quelconque, à condition d'être enregistrée dans les 90 jours de l'achat. Garantie limitée de cinq ans sur le chargeur CHV1600, conçu pour être employé avec la tondeuse à conducteur porté à rayon de braquage zéro pour utilisation personnelle, résidentielle.

Garantie limitée de 2 ans/1 an sur les équipements d'alimentation électrique d'extérieur, les équipements d'alimentation électrique portables, les blocs-piles et les chargeurs EGO pour un usage professionnel et commercial.

La durée et les détails de la garantie de chaque produit sont indiqués en ligne à l'adresse <http://egopowerplus.com/pages/warranty-policy>.

**Veillez communiquer avec le service à la clientèle d'EGO au 1 855 EGO-5656 (numéro sans frais)** pour toute question sur les réclamations au titre de la garantie.

## GARANTIE LIMITÉE

Les produits EGO sont garantis contre tout défaut de matériel ou de fabrication à compter de la date d'achat d'origine pour la période de garantie applicable. Les produits défectueux recevront une réparation gratuite.

- a) Cette garantie s'applique uniquement à l'acheteur initial s'étant procuré le produit chez un détaillant EGO autorisé et est non transférable. La liste des détaillants EGO autorisés est publiée en ligne sur le site <http://egopowerplus.com/pages/warranty-policy>.
- b) La période de garantie pour les produits remis en état ou certifiés par l'usine utilisés à des fins résidentielles est de 1 an, et de 90 jours lorsqu'ils sont utilisés à des fins industrielles, professionnelles ou commerciales.
- c) La période de garantie pour les pièces d'entretien régulier, y compris, sans s'y limiter, les lames, les têtes de taille-bordure, les guides-chaînes, les chaînes de scie, les courroies, les barres de raclage, les buses de souffleur, ainsi que tous les autres accessoires EGO, est de 90 jours lorsqu'elles sont utilisées à des fins résidentielles et de 30 jours lorsqu'elles sont utilisées à des fins industrielles, professionnelles ou commerciales. Ces pièces sont couvertes contre les défauts de fabrication pour une période de 90 jours ou de 30 jours si elles sont utilisées dans des conditions de travail normales.

- d) La présente garantie n'est pas valide si le produit a été utilisé aux fins de location.
- e) La présente garantie ne couvre pas les dommages résultant d'une modification, d'une altération ou d'une réparation non autorisée.
- f) Cette garantie couvre uniquement les défauts survenant dans des conditions normales d'utilisation et ne couvre aucun dysfonctionnement ou défaut ni aucune défaillance découlant d'un usage inapproprié ou abusif (notamment la surcharge du produit et son immersion dans l'eau ou dans tout autre liquide), d'un accident, d'une négligence, d'une installation inadéquate et de tout entretien ou entreposage inadéquat.
- g) La présente garantie ne couvre pas la détérioration normale du fini extérieur, notamment les rayures, les bosselures, les craquelures de la peinture ou toute corrosion ou décoloration résultant de la chaleur, de produits abrasifs ou de nettoyants chimiques.

## RÉCLAMATION AU TITRE DE LA GARANTIE

Pour faire une réclamation au titre de la garantie, veuillez communiquer avec le service à la clientèle d'EGO au **1 855 EGO-5656** (numéro sans frais). Lorsque vous faites une réclamation au titre de la garantie, vous devez présenter le reçu de vente original. Un centre de service autorisé sera sélectionné pour la réparation du produit conformément aux conditions de garantie prescrites. Il se peut qu'un petit dépôt soit exigé lorsque vous laissez votre outil dans un centre de service autorisé. Ce dépôt est remboursable lorsque le service de réparation est considéré comme étant couvert par la garantie.

## RESTRICTIONS SUPPLÉMENTAIRES

Dans la mesure permise par la loi en vigueur, toutes les garanties implicites, y compris les garanties de QUALITÉ MARCHANDE ou D'ADÉQUATION À UN USAGE PARTICULIER, sont exclues. Toute garantie implicite, y compris la garantie de qualité marchande ou d'adéquation à un usage particulier, qui ne peut être rejetée en vertu de la loi de l'État ou de la province est limitée à la période de garantie applicable définie au début de cet article.

Chervon North America n'est pas responsable des dommages accessoires, consécutifs, indirects ou directs.

Certaines provinces n'autorisent pas les restrictions de durée de garantie implicite, ou l'exclusion ou la restriction des dommages consécutifs et accessoires; c'est pourquoi les restrictions ci-dessus peuvent ne pas s'appliquer à votre cas.

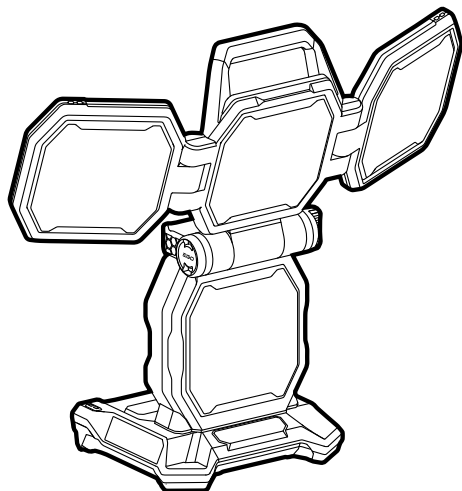
Cette garantie vous confère des droits précis. Il est possible que vous disposiez également d'autres droits, qui varient d'une province à l'autre.

Pour communiquer avec le service à la clientèle, veuillez composer le numéro sans frais suivant : **1 855 EGO-5656** ou consulter le site Web **EGOPOWERPLUS.COM**.

EGO Customer Service, 769 SEWARD AVE NW / Suite 102 Grand Rapids, MI 49504, États-Unis.

# EGO™

POWER<sup>+</sup> LIGHT



MANUAL DEL OPERADOR  
**LUZ DE ÁREA PORTÁTIL  
DE ION LITIO DE 56 V**  
NÚMERO DE MODELO LT1000/ LT1000-FC

**⚠ ADVERTENCIA:** para reducir el riesgo de lesiones, el usuario debe leer y comprender el Manual del usuario antes de usar este producto. Guarde estas instrucciones para consultarlas en caso sea necesario.

# ÍNDICE

Declaración de La FCC.....	45
Pautas de Seguridad .....	46
Instrucciones De Seguridad Importantes .....	47-49
Introducción.....	50
Especificaciones .....	51
Lista de empaque .....	52
Descripción .....	53-55
Ensamblaje .....	56-60
Mantenimiento.....	61-62
Solución de problemas .....	63-64
Garantía .....	65-67

## DECLARACIÓN DE LA FCC

1. Este dispositivo cumple con la parte 15 de las Reglas de la FCC. Su utilización está sujeta a las dos condiciones siguientes:
  - 1) Este dispositivo no podrá causar interferencia perjudicial.
  - 2) Este dispositivo debe aceptar cualquier interferencia recibida, incluyendo interferencia que pueda causar un funcionamiento no deseado.
2. Los cambios o modificaciones no aprobados expresamente por la parte responsable del cumplimiento de la normativa podrían anular la autoridad del usuario para utilizar el equipo.

**AVISO:** Este equipo ha sido sometido a pruebas y se ha comprobado que cumple con los límites para un dispositivo digital de Clase B, conforme a la Parte 15 de las Reglas de la FCC. Estos límites están diseñados para proporcionar una protección razonable contra la interferencia perjudicial en una instalación residencial. Este equipo genera, utiliza y puede emitir energía de radiofrecuencia y, si no se instala y utiliza de acuerdo con las instrucciones, es posible que cause interferencia perjudicial para las radiocomunicaciones. Sin embargo, no hay garantía de que no vaya a ocurrir interferencia en una instalación específica. Si este equipo causa interferencia perjudicial para la recepción de radio o televisión, lo cual se puede determinar apagando y encendiendo el equipo, se insta al usuario a intentar corregir la interferencia mediante una o más de las siguientes medidas: Reoriente o reubique la antena receptora. Aumente la separación entre el equipo y el receptor. Conecte el equipo a un tomacorriente de un circuito diferente al circuito al cual está conectado el receptor. Consulte al distribuidor o a un técnico de radio/TV que tenga experiencia para obtener ayuda.

# LEA TODAS LAS INSTRUCCIONES.



LEA Y COMPRENDA EL  
MANUAL DEL OPERADOR

## PAUTAS DE SEGURIDAD

### SÍMBOLOS DE SEGURIDAD

La finalidad de los símbolos de seguridad es atraer la atención del usuario hacia posibles peligros. Los símbolos de seguridad y las explicaciones que los acompañan merecen que usted preste una atención detenida y logre una comprensión profunda. Las advertencias con símbolo no eliminan por sí mismas ningún peligro. Las instrucciones y las advertencias que dan no son sustitutos de las medidas adecuadas de prevención de accidentes.

**⚠ ADVERTENCIA:** Asegúrese de leer y entender todas las instrucciones de seguridad incluidas en este manual del operador, incluyendo todos los símbolos de alerta de seguridad, tales como “**PELIGRO**”, “**ADVERTENCIA**” y “**PRECAUCIÓN**”, antes de utilizar esta herramienta. Si no se siguen todas las instrucciones que se indican a continuación, es posible que el resultado sea descargas eléctricas, incendio y/o lesiones corporales graves.

### MENSAJES DE PREVENCIÓN E INFORMACIÓN DE DAÑOS

Estos mensajes ofrecen al usuario información e/o instrucciones importantes que hay que seguir para no causar daños al equipo u otros daños materiales. Cada mensaje va precedido por la palabra “**AVISO**”, como en el ejemplo que aparece a continuación:

**AVISO:** Es posible que el resultado sea daños al equipo y/o daños materiales si no se siguen estas instrucciones.

# INSTRUCCIONES DE SEGURIDAD IMPORTANTES

Esta página muestra y describe los símbolos de seguridad que es posible que aparezcan en este producto. Lea, entienda y siga todas las instrucciones que se encuentran en la máquina antes de intentar ensamblarla y utilizarla.

	Alerta de seguridad	Precauciones relacionadas con la seguridad del usuario.
	Lea y entienda el manual del operador	Para reducir el riesgo de lesiones, el usuario debe leer y entender el manual del operador antes de utilizar este producto.
	Rayo de luz	No mire fijamente al rayo de luz.
	Superficie caliente	Riesgo de quemaduras. No toque la superficie caliente.
	Símbolos de reciclaje	Este producto utiliza baterías de ion litio (ion Li). Las leyes locales, estatales o federales prohíben la eliminación de las baterías en la basura ordinaria. Consulte a su autoridad local de eliminación de residuos para obtener información sobre las opciones de reciclaje y eliminación disponibles.
	Corriente continua	Tipo o característica de corriente
IPX4	Grado de protección contra la penetración	Protección contra las salpicaduras de agua
V	Voltio	Tensión
min	Minutos	Tiempo
A	Amperios	Corriente
mm	Milímetros	Longitud de tamaño
lm	Lúmenes	Flujo luminoso
h	Horas	Tiempo

## INSTRUCCIONES DE SEGURIDAD PARA LA LUZ DE ÁREA INALÁMBRICA

**⚠ ¡ADVERTENCIA!** Cuando utilice luces o faroles, se deberán seguir siempre precauciones adicionales, incluyendo las siguientes:

- Para reducir el riesgo de lesiones, se necesita supervisión estrecha cuando se utilice un producto cerca de niños.
- No entre en contacto con las piezas calientes.
- Utilice solo aditamentos recomendados o vendidos por el fabricante.
- No se debe usar en la lluvia.
- Para reducir el riesgo de descargas eléctricas, no ponga el producto en agua u otro líquido. No ponga ni almacene el producto donde pueda caer o ser jalado a una tina o un lavamanos o fregadero.
- Para reducir el riesgo de lesiones, no mire fijamente a la lámpara cuando esté en funcionamiento. Se podrían producir lesiones oculares graves.
- El lente se pone muy caliente durante el uso. Para reducir el riesgo de quemaduras, no toque el lente caliente.
- Para reducir el riesgo de incendio, mantenga la unidad alejada de los materiales combustibles mientras se esté utilizando.
- Utilice la unidad solo con los paquetes de batería y los cargadores que se indican a continuación:

PAQUETE DE BATERÍA	CARGADOR
BA1400, BA1400-FC, BA2800, BA2800-FC, BA4200, BA4200-FC, BA1400T, BA1400T-FC, BA2240T, BA2240T-FC, BA2242T, BA2242T-FC, BA2800T, BA2800T-FC, BA4200T, BA4200T-FC, BA5600T, BA5600T-FC, BA6720T, BA6720T-FC	CH2100, CH2100-FC, CH3200, CH3200-FC, CH5500, CH5500-FC, CH2800D, CH2800D-FC, CH7000, CH7000-FC

- Consulte el manual de instrucciones del paquete de batería para conocer las precauciones sobre los paquetes de batería.
- No utilice un paquete de batería o un aparato eléctrico que esté dañado o modificado. Es posible que las baterías dañadas o modificadas exhiban un comportamiento imprevisible que cause incendio, explosión o riesgo de lesiones.



- **No exponga un paquete de batería o un aparato eléctrico a un fuego o a una temperatura excesiva.** Es posible que la exposición a un fuego o a una temperatura superior a 265 °F (130 °C) cause una explosión.
- **Siga todas las instrucciones de carga y no cargue el paquete de batería o el aparato eléctrico fuera del intervalo de temperatura especificado en las instrucciones.** Es posible que la realización de la carga de manera inadecuada o a temperaturas que estén fuera del intervalo especificado dañe la batería y aumente el riesgo de incendio.
- **Haga que el servicio de ajustes y reparaciones sea realizado por un técnico de reparaciones calificado que utilice únicamente piezas de repuesto idénticas.** Esto garantizará que se mantenga la seguridad del producto.
- No modifique ni intente reparar el aparato eléctrico o el paquete de batería (según corresponda) excepto tal y como se indica en las instrucciones de uso y cuidado.
- **Guarde estas instrucciones.** Consúltelas frecuentemente y utilícelas para instruir a otras personas que puedan utilizar esta herramienta. Si le presta esta herramienta a otra persona, préstele también estas instrucciones para evitar un uso incorrecto del producto y posibles lesiones.

**¡GUARDE ESTAS INSTRUCCIONES!**

## INTRODUCCIÓN

Felicitaciones por su selección de la nueva LUZ DE ÁREA DE ION LITIO EGO DE 56 V. Esta luz ha sido diseñada, concebida y fabricada para ofrecerle a usted la mejor confiabilidad y el mejor rendimiento posibles.


En el caso de que tenga cualquier problema que no pueda remediar fácilmente, sírvase contactar al centro de servicio al cliente de EGO llamando al 1-855-EGO-5656.

Este manual contiene información importante sobre el ensamblaje, la utilización y el mantenimiento seguros de su producto. Léalo detenidamente antes de utilizar el producto. Tenga este manual al alcance de la mano para poder consultarlo en cualquier momento.

FECHA DE COMPRA \_\_\_\_\_ FECHA DE COMPRA \_\_\_\_\_

ANOTE EL NÚMERO DE SERIE Y LA FECHA DE COMPRA, Y GUARDE ESTOS DATOS EN UN LUGAR SEGURO PARA CONSULTARLOS EN CASO DE QUE SEA NECESARIO.

# ESPECIFICACIONES

Tensión	56 V 					
Nivel de luminosidad	1	2	3	4	5	“Boost”
Flujo luminoso/ luminosidad (4 paneles combinados)	600lm	1600lm	3200lm	4800lm	6400lm	10000lm
Tiempo de funcionamiento aproximado (4 paneles con una batería EGO de 56 V y 5,0 Ah)	36h	16h	8h	5h	4h	3h*
Temperatura de funcionamiento recomendada	5°F – 104°F (-15°C – 40°C)					
Temperatura de almacenamiento recomendada	-4°F – 158°F (-20°C – 70°C)					
Peso (sin paquete de batería)	9.48 lbs. (4.3 kg)					

\*La luz se iluminará at 10.000 lm a la temperatura ambiente de 77 °F (25 °C) durante aproximadamente 1 hora y funcionará durante 2 horas más en el nivel de luminosidad 5. Por favor, tenga presente que el tiempo de funcionamiento de 1 hora depende por completo de la temperatura ambiente. En un entorno más frío, el modo “Boost” (10.000 lm) tendrá un tiempo de funcionamiento más prolongado, pero en un entorno muy caliente el modo “Boost” (10.000 lm) tendrá un tiempo de funcionamiento más corto.

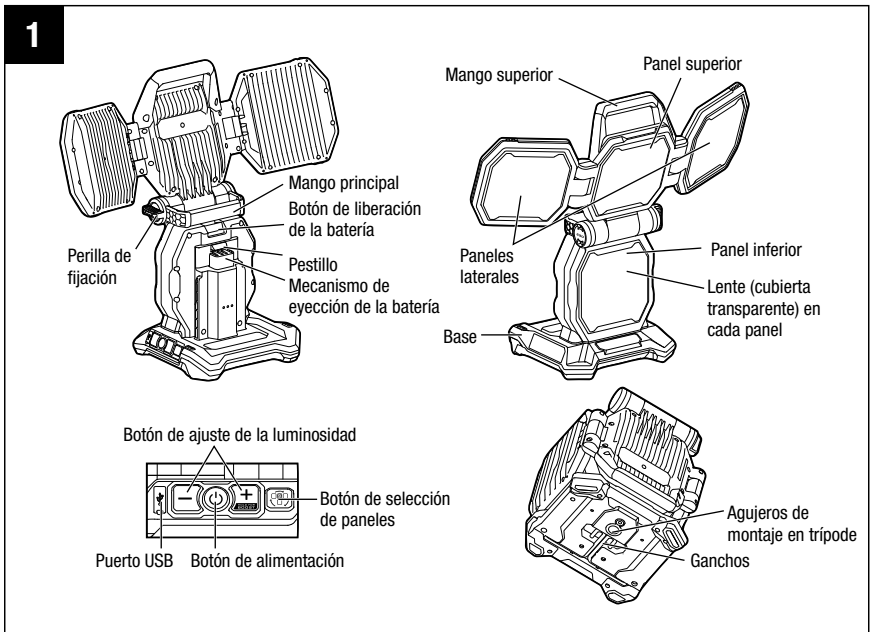
## LISTA DE EMPAQUETAMIENTO

NOMBRE DE LA PIEZA	CANTIDAD
Luz de área portátil	1
Manual del operador	1

# DESCRIPCIÓN

## CONOZCA SU LUZ DE ÁREA (Fig. 1)

El uso seguro de este producto requiere entender la información que está impresa en la herramienta y en este manual de instrucciones, así como tener conocimiento del proyecto que se esté intentando realizar. Antes de utilizar este producto, familiarícese con todas las características de funcionamiento y todas las normas de seguridad.



## **MANGO SUPERIOR**

Permite al usuario transportar la luz cuando está desplegada.

## **PANELES LATERALES**

Ambos paneles laterales pueden pivotar hacia fuera, dirigiendo la luz dentro de un intervalo de 240° cada uno en el plano horizontal.

## **PANEL SUPERIOR**

El panel superior puede pivotar hacia arriba, dirigiendo la luz dentro de un intervalo de 210° en el plano vertical.

## **PANEL INFERIOR**

El panel inferior está fijo e ilumina el área delante de la luz.

## **BASE**

Proporciona soporte para la luz.

## **PERILLA DE FIJACIÓN**

Fija el panel superior en un ángulo deseado.

## **MANGO PRINCIPAL**

Permite al usuario transportar la luz cuando está plegada.

## **BOTÓN DE LIBERACIÓN DE LA BATERÍA**

Libera el paquete de batería de la luz.

## **PESTILLO**

Fija un paquete de batería a la luz.

## **MECANISMO DE EYECCIÓN DE LA BATERÍA**

Ayuda a retirar la batería.

## **PUERTO USB**

Proporciona energía de carga de 5 V CC hasta un consumo combinado de 1,5 A para sus dispositivos USB.

## **BOTÓN DE AJUSTE DE LA LUMINOSIDAD**

Permite al usuario seleccionar la luminosidad adecuada.

## **BOTÓN DE SELECCIÓN DE PANELES**

Permite al usuario apagar algunos de los paneles.

## **AGUJEROS DE MONTAJE EN TRÍPODE**

Las agujeros roscados de 5/8 de pulgada-11 y 1/4 de pulgada-20 ubicados en la base están diseñados para montar la luz sobre la mayoría de los trípodes disponibles.

## **GANCHOS**

Permite colgar la luz.

## UTILIZACIÓN

**⚠ ADVERTENCIA:** No utilice aditamentos o accesorios no recomendados por el fabricante de este producto. El uso de aditamentos o accesorios no recomendados puede causar lesiones corporales graves.

Antes de cada uso, inspeccione todo el producto para determinar si hay piezas dañadas, si faltan piezas o si hay piezas flojas, tales como tornillos, tuercas, pernos, tapas, etc. Apriete firmemente todos los sujetadores y todas las tapas, y no utilice este producto hasta que todas las piezas que falten o estén dañadas hayan sido reemplazadas.

## APLICACIÓN

Puede utilizar este producto para iluminación tipo reflector, iluminación de áreas.

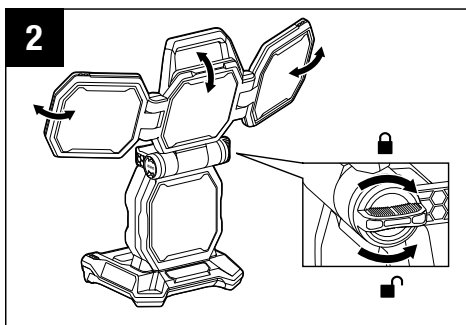
### PIVOTEO DE LOS PANELES DE LUZ (Fig. 2)

La luz de área portátil cuenta con cuatro paneles, de los cuales tres se pueden pivotar para proporcionar la máxima cobertura del área con la luz.

**AVISO:** El panel inferior está fijado a la base.

Cuando utilice la luz por primera vez:

1. Despliegue los paneles laterales.
2. Gire la perilla de fijación en sentido contrario al de las agujas del reloj para liberar el panel superior.
3. Pivote el panel superior hasta el ángulo deseado. El panel superior puede pivotar dentro de un intervalo de 210°.
4. Rote la perilla de fijación en el sentido de las agujas del reloj para fijar el panel superior en la posición correcta.





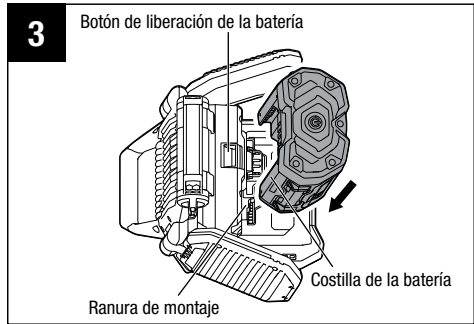
- Pivote los paneles laterales hasta los ángulos deseados. Cada panel lateral puede pivotar lateralmente dentro de un intervalo de 240°.

## PARA INSTALAR/DESINSTALAR EL PAQUETE DE BATERÍA (Fig. 3)

**¡Cargue completamente el paquete de batería antes del primer uso!**

### Para instalar

- Alinee las costillas del paquete de batería con las ranuras de montaje ubicadas en el puerto para la batería de la luz.
- Presione el paquete de batería hacia el interior del puerto para la batería hasta que se acople a presión en la posición correcta.



### Para desinstalar

- Presione el botón de liberación de la batería. El paquete de batería se desacoplará del pestillo y el mecanismo de eyección ayudará con la remoción.
- Retire el paquete de batería de la luz.

## ENCENDIDO Y APAGADO DE LA LUZ

**AVISO:** Cuando la luz de área se enciende, recuerda la última selección de panel activo y revierte a ella al reiniciarse. Sin embargo, el ajuste de la luminosidad siempre se reajusta al nivel de luminosidad más bajo preestablecido, 1 (600 lm).

## Botón de alimentación (Fig. 4)

- Presione el brevemente el botón de alimentación para ENCENDER la luz.
- Presione brevemente de nuevo el botón de alimentación para APAGAR la luz.

## AJUSTE DE LA LUMINOSIDAD (Fig. 4)

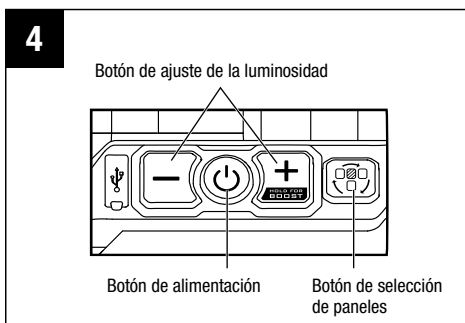
Hay cinco niveles de luminosidad: 1 – 5 (600 lm – 6400 lm) y un modo temporal “Boost” de la luminosidad (10000 lm).

- Presione el botón “+” para aumentar la luminosidad y presione el botón “-” para reducir la luminosidad.
- Presione y mantenga presionado el botón “+” durante 2-3 segundos y la luminosidad cambiará al modo “Boost”, es decir, la máxima luminosidad.
- Cuando esté en el modo “Boost”:
  - Presione el botón “-” y la luminosidad regresará al nivel anterior.
  - Para prevenir el sobrecalentamiento, la luz bajará rápidamente al nivel de luminosidad 5 (6400 lm) después de aproximadamente una hora de funcionamiento en el modo “Boost”. Si esto sucede, deje que la luz se enfríe e intente activar de nuevo el modo “Intensificador”.

## SELECCIÓN DE PANELES (Fig. 4)

Los paneles (o la combinación de paneles) se pueden encender y apagar según se desee.

- Presione el botón de selección de paneles para bascular entre:
  - Los cuatro paneles están encendidos,
  - Solo los paneles laterales y el panel superior están encendidos,
  - Solo el panel superior está encendido.
- Presione y mantenga presionado el botón de selección de paneles durante 2-3 segundos y la luz cambiará al modo “Emergencia” parpadeante.

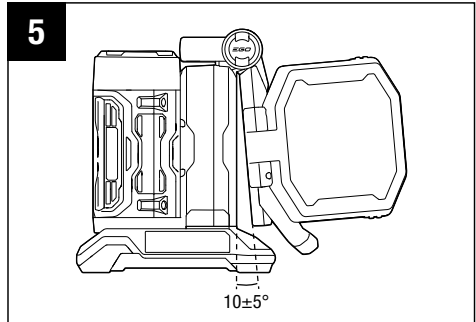


- Cuando esté en el modo “Emergencia”, presione cualquier botón (excluyendo el botón de alimentación) y la luz reanudará el ajuste de luminosidad previo y la selección de paneles previa.

**NOTA:** En el modo “Emergencia”, los CUATRO paneles estarán parpadeando, incluso si antes de la activación del modo “Emergencia” solo algunos paneles estaban activos.

## APAGADO AUTOMÁTICO (Fig. 5)

Esta luz de área cuenta con un interruptor de apagado automático que apagará la luz si el panel superior está plegado dentro de un intervalo de  $10 \pm 5^\circ$  respecto al panel inferior.



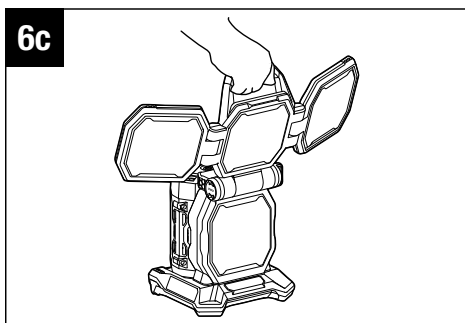
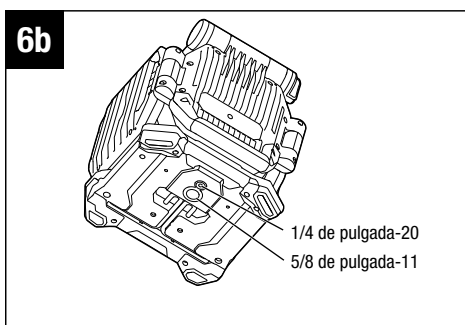
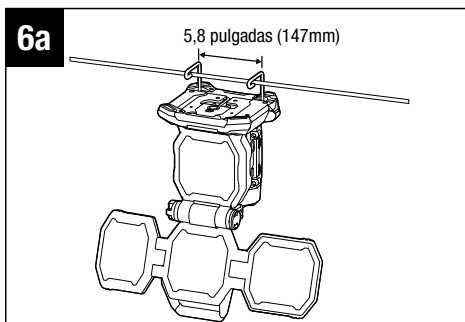
## UTILIZACIÓN DE LA LUZ (Fig. 6a – 6c)

**⚠ ADVERTENCIA:** Asegúrese de que la luz esté instalada firmemente para prevenir un peligro de caída de objetos. Si no se siguen las instrucciones, el resultado puede ser lesiones corporales graves.

- **Para colgar la luz,** jale hacia fuera los ganchos ubicados en la base de la unidad y cuelgue la luz en posición invertida. El espaciamiento entre los ganchos es de 5,8 pulgadas (147 mm). **Asegúrese de que el objeto del que la luz esté colgada sea lo suficientemente robusto como para soportar el peso combinado de la luz y el paquete de batería.**
- **Para montar la luz en un trípode** (no incluido), fije el tornillo del trípode a un de los agujeros de montaje en trípode ubicados en la parte inferior de la base. La base cuenta con un agujero roscado de 5/8 de pulgada-11 y varios de 1/4 de pulgada-20. **Asegúrese de que el trípode esté colocado sobre una superficie nivelada y plana.**

**⚠ ADVERTENCIA:** Asegúrese de que el trípode sea lo suficientemente robusto como para soportar el peso combinado de la luz y el paquete de batería.

- **Para iluminación portátil,** transporte la luz por el mango superior (Fig. 6c).



# MANTENIMIENTO

**⚠ ADVERTENCIA:** Cuando haga servicio de ajustes y reparaciones, utilice solo piezas de repuesto idénticas. Es posible que el uso de cualquier otra pieza cree un peligro o cause daños al producto. Para garantizar la seguridad y confiabilidad, todas las reparaciones deberán ser realizadas por un técnico de servicio calificado.

**⚠ ADVERTENCIA:** Para evitar lesiones corporales graves, retire siempre el paquete de batería del producto cuando realice limpieza o efectúe cualquier mantenimiento.

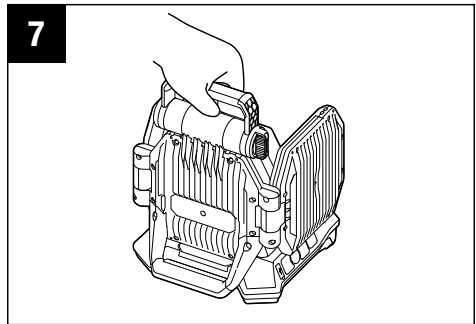
## MANTENIMIENTO GENERAL

Evite utilizar solventes cuando limpie piezas de plástico. La mayoría de los plásticos son susceptibles de sufrir daños causados por diversos tipos de solventes comerciales y es posible que resulten dañados por su uso. Use un paño limpio para retirar la suciedad, el polvo, el aceite, la grasa, etc.

**⚠ ADVERTENCIA:** No deje en ningún momento que líquidos de freno, gasolina, productos a base de petróleo, aceites penetrantes, etc., entren en contacto con las piezas de plástico. Las sustancias químicas pueden dañar, debilitar o destruir el plástico, lo cual puede causar lesiones corporales graves.

## TRANSPORTE

1. Apague la luz y retire el paquete de batería.
2. Pliegue los ganchos (si se han usado) de vuelta al interior de la base de la luz.
3. Libere la perilla de fijación, pliegue el panel superior en la posición de almacenamiento y luego asegure fije la perilla de fijación.
4. Pliegue los paneles laterales.
5. Transporte la luz por el mango principal. El mango principal se puede pivotar dentro del intervalo de 215° y fijar en el ángulo deseado por medio de la perilla de fijación, en caso de que sea necesario (Fig. 7).



## **ALMACENAMIENTO**

1. Apague la luz y retire el paquete de batería.
2. Pliegue los ganchos (si se han utilizado) de vuelta al interior de la base de la luz.
3. Libere la perilla de fijación, pliegue el panel superior en la posición de almacenamiento y luego asegure la perilla de fijación.
4. Pliegue los paneles laterales
5. Almacene la luz en un área seca y bien ventilada, fuera del alcance de los niños. No almacene la luz sobre o junto a fertilizantes, gasolina u otras sustancias químicas.

## RESOLUCIÓN DE PROBLEMAS

PROBLEMA	CAUSA	SOLUCIÓN
La luz no funciona.	<ul style="list-style-type: none"> <li>■ Capacidad baja de la batería.</li> <li>■ El paquete de batería no está instalado en la luz.</li> <li>■ La luz cuenta con un interruptor de apagado automático que impide que se encienda al plegar el panel superior.</li> <li>■ Otras causas no identificadas.</li> </ul>	<ul style="list-style-type: none"> <li>■ Cargue el paquete de batería.</li> <li>■ Instale correctamente el paquete de batería en la luz.</li> <li>■ Despliegue el panel superior a un ángulo de más de 15°.</li> <li>■ Contacte a un técnico de servicio calificado para que realice la reparación.</li> </ul>
La luz en el modo “Boost” cambia descendiendo a una luminosidad más baja con el tiempo.	<ul style="list-style-type: none"> <li>■ Esto es una función de seguridad para evitar que la luz se sobrecaliente.</li> </ul>	<ul style="list-style-type: none"> <li>■ Deje que la luz se enfríe e intente reactivar el modo “Boost” presionando y manteniendo presionado el botón “+” durante 2-3 segundos.</li> </ul>
El dispositivo USB no se puede cargar a través del puerto USB.	<ul style="list-style-type: none"> <li>■ El usuario no encendió la luz antes de cargar el dispositivo USB.</li> </ul>	<ul style="list-style-type: none"> <li>■ Presione brevemente el botón de alimentación para encender la luz. Esto activará el puerto USB. Incluso si la luz está apagada durante el proceso de carga USB, el dispositivo USB conectado continuará cargándose durante unas 2 horas.</li> </ul>

<b>PROBLEMA</b>	<b>CAUSA</b>	<b>SOLUCIÓN</b>
La luz se apaga repentinamente durante el uso.	<ul style="list-style-type: none"><li>■ La luz cuenta con un interruptor de apagado automático que la apagará si el panel superior está plegado <math>10\pm 5^\circ</math> respecto al panel inferior.</li></ul>	<ul style="list-style-type: none"><li>■ Asegúrese de que el panel superior esté desplegado a un ángulo de más de <math>15^\circ</math>.</li></ul>
No se pudo rotar el mango principal.	<ul style="list-style-type: none"><li>■ El mango está fijo por medio de la perilla de fijación.</li></ul>	<ul style="list-style-type: none"><li>■ Rote la perilla de fijación en sentido contrario al de las agujas del reloj para aflojar el mango principal.</li></ul>



# GARANTÍA

## POLÍTICA DE GARANTÍA

Garantía limitada de 5 años en equipos de energía para exteriores y energía portátil EGO POWER+ para uso doméstico personal.

Garantía limitada de 3 años en paquetes de batería y cargadores del Sistema EGO POWER+ para uso personal doméstico. Se aplica una garantía extendida adicional de 2 años para la batería de 10,0 Ah/12,0 Ah, tanto si se vende por separado (número de modelo BA5600T/BA6720T) como si se incluye con cualquier herramienta, si se registra dentro del plazo de 90 días después de su compra. Garantía limitada de 5 años en el cargador CHV1600, diseñado para utilizarse con la cortadora de césped con asiento con radio de giro cero para uso personal doméstico.

Garantía limitada de 2 años/1 año en equipos de energía para exteriores, energía portátil, paquetes de baterías y cargadores EGO para uso profesional y comercial.

Los períodos de garantía detallados por productos se pueden encontrar en línea en <http://egopowerplus.com/pages/warranty-policy>.

**Póngase en contacto con Servicio al Cliente de EGO de manera gratuita al 1-855-EGO-5656**, cuando tenga preguntas o reclamaciones de garantía.

## GARANTÍA LIMITADA DE SERVICIO

Los productos EGO están garantizados contra defectos de material o de fabricación a partir de la fecha de compra original al por menor durante el período de garantía aplicable. El producto defectuoso será reparado gratuitamente.

- a) Esta garantía se aplica solo al comprador original del distribuidor minorista autorizado de EGO y podría no ser transferible. Los distribuidores minoristas autorizados de EGO se identifican en línea, en <http://egopowerplus.com/pages/warranty-policy>.
- b) El período de garantía para productos reacondicionados o certificados de fábrica que se utilizan para fines residenciales es de 1 año, para fines industriales, profesionales o comerciales es de 90 días.

- c) El período de garantía para piezas del mantenimiento de rutina, incluidas, entre otras, cuchillas, cabezales de orilladoras, listones de cadenas, cadenas de motosierras, correas, barras raspadoras, boquillas de sopladores y todos los demás accesorios EGO, es de 90 días con fines residenciales y de 30 días para propósitos industriales, profesionales o comerciales. Estas piezas tienen cobertura durante 90/30 días por defectos de fabricación en condiciones normales de trabajo.
- d) Esta garantía queda nula si el producto se ha puesto en alquiler.
- e) Esta garantía no cubre daños producto de modificaciones, alteraciones o reparaciones no autorizadas.
- f) Esta garantía solo cubre defectos que surjan del uso normal y no cubre el mal funcionamiento, las fallas ni los defectos que resulten del mal uso, el abuso (que incluye la sobrecarga del producto más allá de su capacidad y sumergirlo en agua o en cualquier otro líquido), accidentes, negligencia o falta de instalación adecuada y mantenimiento o almacenamiento inadecuados.
- g) Esta garantía no cubre el deterioro normal del acabado exterior, incluidos, entre otros, rayones, abolladuras, trozos de pintura o cualquier corrosión o decoloración producida por el calor o limpiadores químicos y abrasivos.

## **CÓMO OBTENER EL SERVICIO**

Para obtener el servicio de garantía, póngase en contacto con Servicio al Cliente de EGO de manera gratuita al **1-855-EGO-5656**. Cuando pida un servicio cubierto por la garantía, debe presentar el recibo con la fecha original de venta. Un centro de servicio autorizado será seleccionado para reparar el producto de acuerdo con los términos establecidos en la garantía. Cuando lleve el producto al centro de servicio autorizado, es posible que deba hacer un pequeño depósito cuando deje la herramienta. Este depósito se reembolsará cuando se considere que el servicio de reparación se haya cubierto con la garantía.

## LIMITACIONES ADICIONALES

En la medida en que la ley aplicable lo permita, se deniegan todas las garantías implícitas, inclusive las garantías de COMERCIALIZADIDAD o IDONEIDAD PARA UN PROPÓSITO ESPECÍFICO. Todas las garantías implícitas, inclusive las garantías de comerciabilidad o idoneidad para un propósito específico, que no se puedan denegar bajo la ley estatal, están limitadas al período de garantía aplicable definido al comienzo de este artículo.

Chervon North America no se hará responsable por daños directos, indirectos, accidentales o resultantes.

Algunos estados no permiten limitaciones con respecto a la duración de una garantía implícita y/o no permiten la exclusión o limitación de daños accidentales o resultantes, de modo que las limitaciones antes descritas podrían no aplicarse en su caso.

Esta garantía le otorga derechos legales específicos, pero podría tener también otros derechos que varían según el estado.

Para obtener el servicio al cliente, póngase en contacto con nosotros de manera gratuita al: **1-855-EGO-5656** o visite: **EGOPOWERPLUS.COM**

EGO Customer Service, 769 SEWARD AVE NW / Suite 102 Grand Rapids, MI 49504

