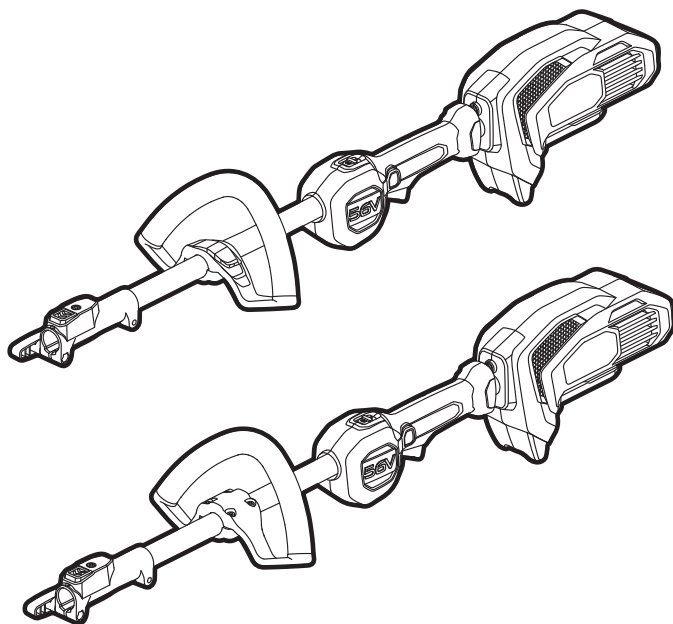


EGO™

POWER⁺ POWER HEAD



FOR USE WITH EGO POWER+
POWER HEAD ATTACHMENTS

OPERATOR'S MANUAL

56-VOLT LITHIUM-ION POWER HEAD

Français p. 25

Español p. 51

MODEL NUMBER PH1400/PH1400-FC

⚠ WARNING: To reduce the risk of injury, the user must read and understand the Operator's Manual before using this product. Save these instructions for future reference.

READ ALL INSTRUCTIONS!



READ & UNDERSTAND
OPERATOR'S MANUAL

TABLE OF CONTENTS

Safety Symbols	3
Symbols	4
General Safety Instructions	5-7
Introduction	8
Specifications	8
Packing List	9
Description	10-12
Assembly	13-17
Operation	18-20
Maintenance	21
Troubleshooting	22
EGO Limited Warranty	23-24

SAFETY SYMBOLS

The purpose of safety symbols is to attract your attention to possible dangers. The safety symbols and the explanations with them deserve your careful attention and understanding. The symbol warnings do not, by themselves, eliminate any danger. The instructions and warnings they give are no substitutes for proper accident prevention measures.

⚠ WARNING: Be sure to read and understand all safety instructions in this Operator’s Manual, including all safety alert symbols such as “**DANGER**”, “**WARNING**”, and “**CAUTION**” before using this machine. Failure to follow all instructions listed below may result in electric shock, fire, and/or serious personal injury.

The definitions below describe the level of severity for each signal word. Please read the manual and pay attention to these symbols.	
	This is the safety alert symbol. It is used to alert you to potential personal injury hazards. Obey all safety messages that follow this symbol to avoid possible injury or death.
	DANGER indicates a hazardous situation which, if not avoided, will result in death or serious injury.
	WARNING indicates a hazardous situation which, if not avoided, could result in death or serious injury.
	CAUTION, used with the safety alert symbol, indicates a hazardous situation which, if not avoided, will result in minor or moderate injury.

DAMAGE PREVENTION AND INFORMATION MESSAGES

These inform the user of important information and/or instructions that could lead to equipment or other property damage if they are not followed. Each message is preceded by the word “NOTICE”, as in the example below:

NOTICE: Equipment and/or property damage may result if these instructions are not followed.

SYMBOLS

This page depicts and describes safety symbols that may appear on this product. Read, understand, and follow all instructions on the machine before attempting to assemble and operate it.

	Safety Alert	Indicates a potential personal injury hazard.
	Read & Understand Operator's Manual	To reduce the risk of injury, user must read and understand the operator's manual before using this product.
	Eye Protection	Always wear safety goggles or safety glasses with side shields and a full face shield when operating this product.
	Recycle Symbols	This product uses lithium-ion (Li-ion) batteries. Local, state, or federal laws may prohibit disposal of batteries in ordinary trash. Consult your local waste authority for information regarding available recycling and/or disposal options.
IPX4	Ingress Protection Degree	Protection from splashing water
V	Volt	Voltage
mm	Millimeter	Length or size
cm	Centimeter	Length or size
in.	Inch	Length or size
kg	Kilogram	Weight
lb	Pound	Weight
	Direct Current	Type or a characteristic of current

GENERAL SAFETY INSTRUCTIONS

⚠ WARNING! When using electric gardening appliances, basic safety precautions should always be followed to reduce the risk of fire, electric shock, and personal injury, including the following:

READ ALL INSTRUCTIONS

⚠ DANGER! Do not rely on the tool's insulation against electric shock. To reduce the risk of electrocution, never operate the tool in the vicinity of any wires or cables which may carry electric current.

⚠ CAUTION! Wear appropriate personal hearing protection during use. Under some conditions and durations of use, noise from this product may contribute to hearing loss.

- **Avoid Dangerous Environment** - Don't use appliances in damp or wet locations.
- **Keep Children Away** - All visitors should be kept at a distance away from work area.
- **Dress Properly** - Do not wear loose clothing or jewelry. They can be caught in moving parts. Use of rubber gloves and substantial footwear is recommended when working outdoors. Wear protective hair covering to contain long hair.
- **Use Safety Glasses** - Always use face or dust mask if operation is dusty.
- **Use Right Appliance** - Do not use appliance for any job except that for which it is intended.
- **Don't Force Appliance** - It will do the job better and with less likelihood of a risk of injury at the rate for which it was designed.
- **Don't Overreach** - Keep proper footing and balance at all times.
- **Stay Alert** - Watch what you are doing. Use common sense. Do not operate the appliance when you are tired.
- **Store Idle Appliances Indoors** - When not in use, appliances should be stored indoors in a dry and high or locked-up place with the battery pack removed - out of reach of children.
- **Maintain Appliance with Care** - Keep the appliance clean for best performance and to reduce the risk of injury. Follow instructions for lubricating and changing accessories. Keep handles dry, clean, and free from oil and grease.

- **Check Damaged Parts** - Before further use of the appliance, a guard or other part that is damaged should be carefully checked to determine that it will operate properly and perform its intended function. Check for alignment of moving parts, binding of moving parts, breakage of parts, mounting, and any other condition that may affect its operation. A guard or other part that is damaged should be properly repaired or replaced by an authorized service center unless indicated elsewhere in this manual.
- **Do not charge the battery pack in rain, or in wet locations.**
- Use only with the battery packs and chargers listed below:

BATTERY PACK	CHARGER
BA1400, BA1400-FC, BA2800, BA2800-FC, BA4200, BA4200-FC, BA1400T, BA1400T-FC, BA2242T, BA2242T-FC, BA2800T, BA2800T-FC, BA3360T, BA3360T-FC, BA4200T, BA4200T-FC, BA4480T, BA4480T-FC, BA5600T, BA5600T-FC, BA6720T, BA6720T-FC	CH2100, CH2100-FC, CH3200, CH3200-FC, CH5500, CH5500-FC, CH2800D, CH2800D-FC, CH7000, CH7000-FC

- **This 56V power head PH1400/PH1400-FC may be used with only the following EGO attachments:**

ATTACHMENT TYPE	MODEL NUMBER
Extension Pole	EP7500/EP7500-FC/EP7501/EP7501-FC
Edger	EA0800/EA0800-FC
String Trimmer	STA1500/STA1500-FC
Pole Saw	PSA1000/PSA1000-FC
Hedge Trimmer	HTA2000/HTA2000-FC
Cultivator	CTA9500/CTA9500-FC
Bristle Brush	BBA2100/BBA2100-FC
Rubber Broom	RBA2100/RBA2100-FC
Snow Shovel	SSA1200/SSA1200-FC

- **Do not dispose of the battery in a fire.** The cells may explode. Check with local codes for possible special disposal instructions.
- **Do not open or mutilate the battery.** Released electrolyte is corrosive and may cause damage to the eyes or skin. It may be toxic if swallowed.
- **Exercise care in handling batteries in order not to short the battery with conducting materials such as rings, bracelets, and keys.** The battery or conductor may overheat and cause burns.

- **Replacement Parts** - When servicing, use only identical EGO replacement parts. Use of any other accessory or attachment may increase the risk of injury.
- **Battery tools do not have to be plugged into an electrical outlet; therefore, they are always in operating condition.** Be aware of possible hazards even when the tool is not operating. Take care when performing maintenance or service.
- **Remove or disconnect the battery pack before servicing, cleaning or removing material from the appliance.**
- **Do not incinerate the appliance even if it is severely damaged. The batteries can explode in a fire.**
- **Do not expose a battery pack or tool to fire or excessive temperature.** Exposure to fire or temperature above 212 °F (100°C) may cause explosion.
- **Do not wash with a hose; avoid getting water in motor and electrical connections.**
- **If situations occur that are not covered in this manual, use care and good judgment. Contact the EGO Customer Service Center for assistance.**
- **Save these instructions.** Refer to them frequently and use them to instruct others who may use this tool. If you lend this tool to someone else, also lend these instructions to them to prevent misuse of the product and possible injury.

SAVE THESE INSTRUCTIONS!

ADDITIONAL SPECIFIC SAFETY RULES CAN BE FOUND IN THE APPLICABLE ATTACHMENT'S OPERATOR'S MANUAL



INTRODUCTION


Congratulations on your selection of the EGO 56-Volt Lithium-Ion Power Head. It has been designed, engineered and manufactured to give you the best possible dependability and performance.

Should you experience any problem you cannot easily remedy, please contact EGO customer service center 1-855-EGO-5656.

This manual contains important information on the safe assembly, operation and maintenance of your product. Read it carefully before using the product. Keep this manual handy so you can refer to it at any time.

SERIAL NUMBER _____ DATE OF PURCHASE _____
YOU SHOULD RECORD BOTH SERIAL NUMBER AND DATE OF PURCHASE AND KEEP THEM IN A SAFE PLACE FOR FUTURE REFERENCE

SPECIFICATIONS

Voltage	56V 
Weight	5.82 lb.(2.64 kg)
Recommended Operating Temperature	5°F-104°F(-15°C-40°C)
Recommended Storage Temperature	-4°F-158°F(-20°C-70°C)

Recommended Accessory

PART NAME	MODEL NUMBER
Quick-Adjust Front-Assist Handle	AQH1500

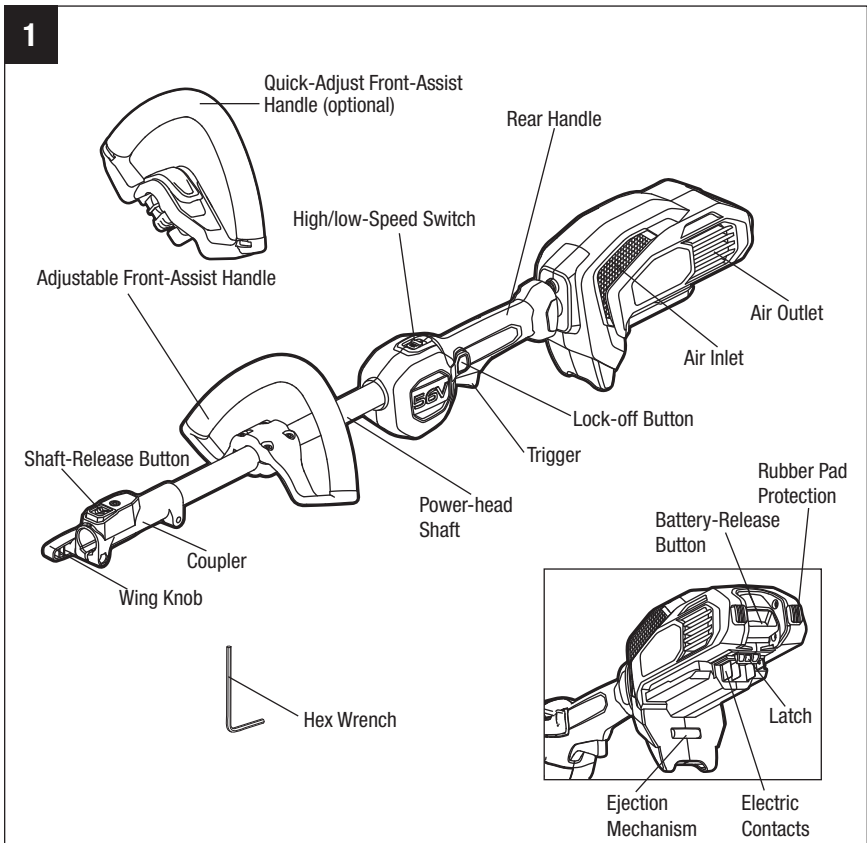
PACKING LIST

PART NAME	QUANTITY
Power Head	1
Adjustable Front-Assist Handle	1
Hex Wrench	1
Operator's Manual	1

DESCRIPTION

KNOW YOUR POWER HEAD (Fig.1)

The safe use of this product requires an understanding of the information on the tool and in this operator's manual, as well as knowledge of the project you are attempting. Before using this product, familiarize yourself with all operating features and safety rules.



ADJUSTABLE FRONT-ASSIST HANDLE

Adjusts for ease of operation and to help prevent loss of control.

REAR HANDLE

Ergonomic handle with overmold improves comfort and grip.

LOCK-OFF BUTTON

Helps to prevent accidental or unauthorized activation of the trigger. It must be depressed before the trigger can be activated.

VARIABLE-SPEED TRIGGER

To turn the tool On and Off and control speed.

HIGH/LOW-SPEED SWITCH

Provides high and low speeds for different tasks as needed.

COUPLER

Aids in quick connection of the attachment shafts.

SHAFT-RELEASE BUTTON

For releasing the attachment shaft.

WING KNOB

Tightens the coupler and attachment shaft connection.

BATTERY-RELEASE BUTTON

Releases the battery pack from the tool.

LATCH

Locks the battery pack when installing it on the tool.



EJECTION MECHANISM

Aids in battery removal.

RUBBER PAD

Helps to protect the housing from impacts during use.

ASSEMBLY

⚠ WARNING: If any parts are damaged or missing, do not operate this product until the parts are replaced. Use of this product with damaged or missing parts could result in serious personal injury.

⚠ WARNING: Do not attempt to modify this product or create accessories not recommended for use with this power head. Any such alteration or modification is misuse and could result in a hazardous condition leading to possibly serious personal injury.

⚠ WARNING: Always remove the battery pack from the product when you are assembling parts, making adjustments, cleaning, or when the product is not in use.

UNPACKING

- This product requires assembly.
- Carefully remove the product and any accessories from the box. Make sure that all items listed in the packing list are included.

⚠ WARNING: Do not use this product if any parts on the Packing List are already assembled to your product when you unpack it. Parts on this list are not assembled to the product by the manufacturer and require customer installation. Use of a product that may have been improperly assembled could result in serious personal injury.

- Inspect the tool carefully to make sure that no breakage or damage occurred during shipping.
- Do not discard the packing material until you have carefully inspected and satisfactorily operated the tool.
- If any parts are damaged or missing, please return the product to the place of purchase.

INSTALLING AN ATTACHMENT TO THE POWER HEAD

⚠ WARNING: Read and understand entire Operator's Manual for each optional attachment used on this power head and follow all warnings and instructions. Failure to follow all instructions could result in electric shock, fire and/or serious personal injury.

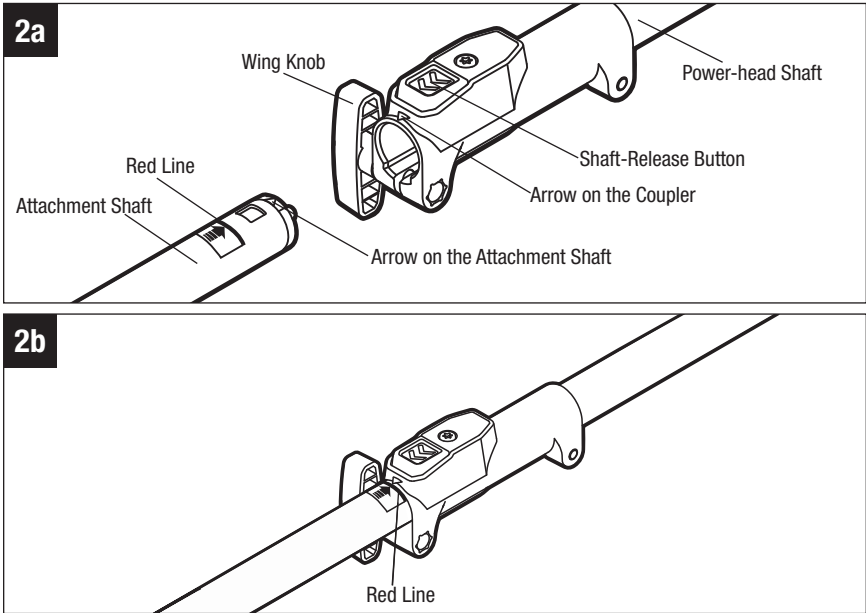
⚠ WARNING: This 56V power head PH1400/PH1400-FC is designed to be used only with the EGO attachment models that are specified in this Operator's Manual or subsequently introduced by EGO for use with this power head. Use of other, unauthorized attachments could cause serious personal injuries or property damage.

⚠ WARNING: Some accessories have specific requirements related to safety. Always pay special attention to such instructions in the manual that accompanies each accessory.

⚠ WARNING: Never install, remove, or adjust any attachment while the power head is running or with the battery installed. Failure to stop the motor and remove the battery can cause serious personal injury. NEVER OPERATE THE POWER HEAD WITHOUT AN ATTACHMENT.

The attachment connects to the power head by means of a coupler device.

1. Stop the motor and remove the battery pack.
2. Loosen the wing knob.
3. Remove the end cap from the attachment and place it in a safe place for later use. Align the arrow on the attachment shaft with the arrow on the coupler (Fig. 2a) and push the attachment shaft into the coupler until you hear a clear "click" sound. The coupler should be positioned all the way to the RED LINE labeled on the shaft that the attachment shaft is properly mounted into place (Fig. 2b).



4. Pull the shaft of the attachment to verify that it is securely locked into the coupler. If not, rotate the attachment shaft from side to side in the coupler until it snaps into place.
5. Tighten the wing knob securely.

⚠ WARNING: Be certain that the wing knob is fully tightened before operating equipment; check it periodically for tightness during use to avoid serious personal injury.

REMOVING THE ATTACHMENT FROM THE POWER HEAD

1. Stop the motor and remove the battery pack.
2. Loosen the wing knob.
3. Press the shaft-release button and, with the button depressed, pull or twist the attachment shaft out of the coupler.

MOUNTING AND ADJUSTING THE FRONT-ASSIST HANDLE

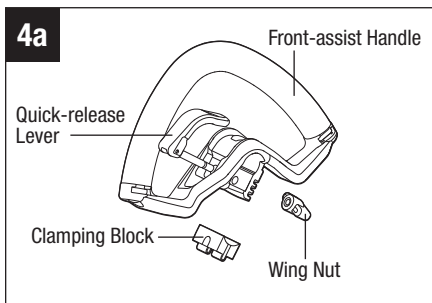
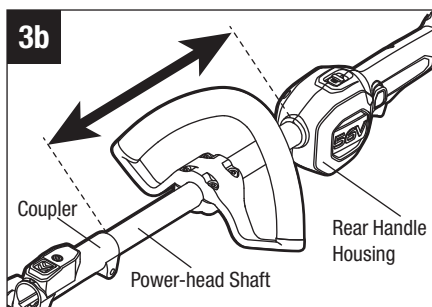
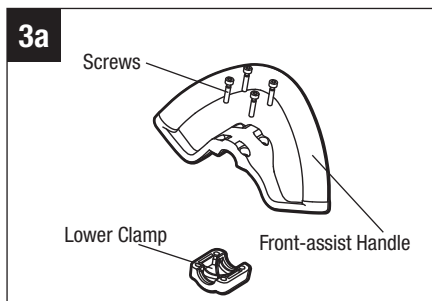
⚠ WARNING: Always remove the battery pack from the product when you are assembling parts, making adjustments, cleaning, or when the product is not in use.

1. Stop the motor and remove the battery pack, if installed.
2. Loosen the four screws in the front-assist handle with the supplied hex wrench and remove the screws and lower clamp from the front-assist handle (Fig. 3a).
3. Attach the front-assist handle and lower clamp on the power-head shaft and secure them by pre-tightening the four screws. Turn the front-assist handle upwards so that it points toward the top of the rear handle (Fig. 3b).
4. Adjust the front-assist handle position between the rear handle housing and the coupler on the power-head shaft (Fig. 3b).
5. Tighten the four screws so that the handle cannot be rotated on the shaft.

⚠ WARNING: Never operate the tool without the front-assist handle firmly in place.

NOTE: Optional quick-adjust front-assist handle (Model number AQH1500) can be used instead of the front-assist handle included in the kit. Follow the instructions below to install the AQH1500 quick-adjust front-assist handle:

1. Loosen and remove the quick-release lever and wing nut from the front-assist handle (Fig. 4a).

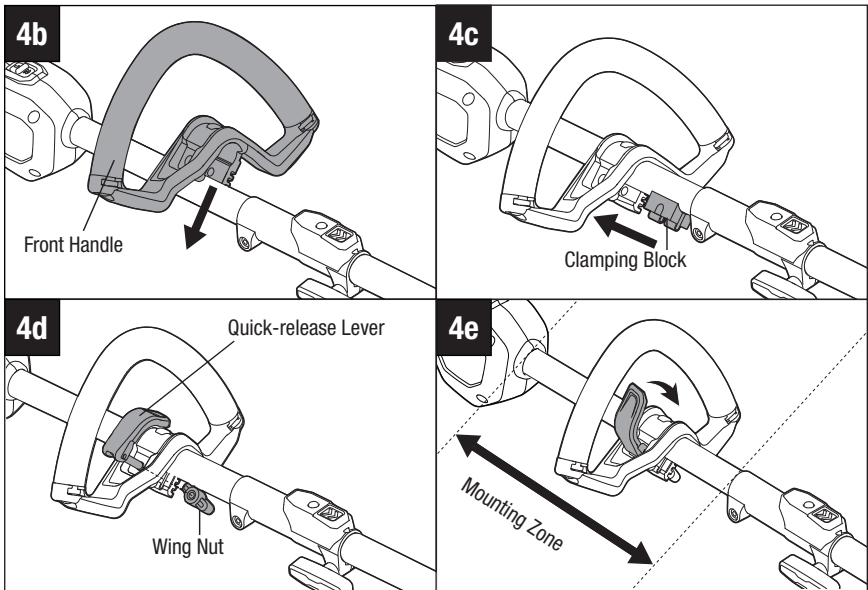


2. Push the front-assist handle onto the shaft within the mounting zone between the rear handle housing and the coupler on the power-head shaft. (Fig. 4b).
3. Insert the clamping block into the handle slot (Fig. 4c).
4. Mount the quick-release lever and pre-tighten the wing nut. Make sure that the front-assist handle is positioned upwards and points toward the top of the rear handle (Fig. 4d).
5. Pull the quick-release lever up to move/rotate the front-assist handle to a comfortable operating position (Fig. 4e).

NOTICE: The front-assist handle should be positioned on the shaft only within the mounting zone (Fig. 4e).

6. Engage the quick-release lever to secure the front-assist handle in place.

⚠ WARNING: Never use the trimmer without the front handle securely attached.



OPERATION

⚠ WARNING: Do not allow familiarity with this product to make you careless. Remember that a careless fraction of a second is sufficient to inflict serious injury.

⚠ WARNING: Always wear safety goggles or safety glasses with side shield marked to comply with ANSI Z87.1. Failure to do so could result in objects being thrown into your eyes and other possible serious injuries.

⚠ WARNING: Do not use any attachments or accessories not recommended by the manufacturer of this product. The use of attachments or accessories not recommended can result in serious personal injury.

INSTALLING/REMOVING THE BATTERY PACK

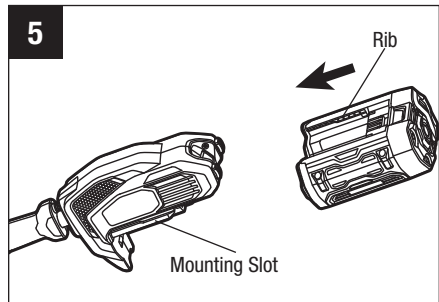
⚠ WARNING: Always remove the battery pack from the product when you are assembling parts, making adjustments, cleaning, or when not in use. Removing the battery pack will prevent accidental starting that could cause serious personal injury.

NOTE: Fully charge the battery pack before first use.

To install battery pack (Fig. 5)

1. Align the ribs of the battery pack with the mounting slots in the power head's battery port.
2. Press the battery pack towards the power head until it snaps into position.

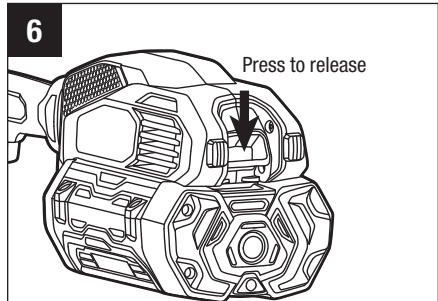
NOTE: Make sure that the latch on the bottom of the battery pack snaps in place and the battery pack is secured to the power head before beginning operation. Failure to securely seat the battery pack could cause the battery pack to fall out, resulting in serious personal injury.



To remove battery pack (Fig. 6)

⚠ WARNING: Always be aware of the location of your feet and children or pets around you when pressing the battery-release button. Serious injury could result if the battery pack falls. NEVER remove the battery pack at a high location.

1. Hold the battery pack in the palm of your hand.
2. Press the battery-release button with your thumb; the battery pack will disengage from the latch.
3. Grasp the battery pack and remove it from the power head.



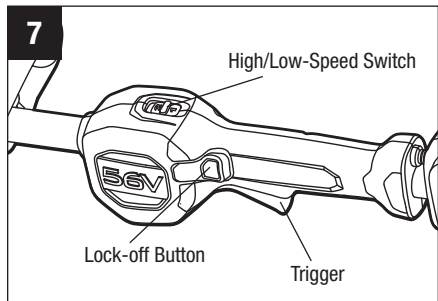
⚠ WARNING: To avoid serious personal injury, always remove the battery pack and keep hands clear of the lock-off button and trigger when carrying or transporting the tool.

STARTING/STOPPING THE POWER HEAD (Fig.7)

⚠ WARNING: NEVER OPERATE THE POWER HEAD WITHOUT AN ATTACHMENT. Do not attempt to start the power head without an attachment.

To start the power head

1. Press the lock-off button down and hold it in that position. Depress the trigger to turn on the power head. Release the lock-off button and continue to squeeze the trigger for continued operation.
2. The rotational speed of the tool is controlled with the variable-speed trigger. More pressure on the trigger results in higher speed; less pressure on the trigger results in lower speed. Adjust the speed to suit the task at hand.



NOTICE: The motor runs only when the lock-off button and trigger are both pressed.

Speed-Adjustment Function (Fig. 7)

The power head has two speeds. Position “1” is for low speed while Position “2” is for high speed. Push or pull the high/low-speed switch to choose the suitable speed during operation.

To stop the power head

Release the trigger to stop the power head.

⚠ WARNING: Always remove the battery pack from the power head during work breaks and after finishing work.

MAINTENANCE

⚠ WARNING: Before inspecting, cleaning or servicing the unit, stop the motor, wait for all moving parts to stop, and remove the battery pack. Failure to follow these instructions can result in serious personal injury or property damage.

⚠ WARNING: When servicing, use only identical replacement parts. Use of any other parts can create a hazard or cause product damage.

NOTICE: Before each use, inspect the entire product for damaged, missing, or loose parts such as screws, nuts, bolts, caps, etc. Tighten securely all fasteners and caps and do not operate this product until all missing or damaged parts are replaced. Please contact customer service or a qualified service center for assistance.

GENERAL MAINTENANCE

Avoid using solvents when cleaning plastic parts. Most plastics are susceptible to damage from various types of commercial solvents and may be damaged by their use. Use clean cloths to remove dirt, dust, oil, grease, etc.

⚠ WARNING: Do not at any time let brake fluids, gasoline, petroleum-based products, penetrating oils, etc., come in contact with plastic parts. Chemicals can damage, weaken or destroy plastic which can result in serious personal injury.

CLEANING THE POWER HEAD

1. Stop the motor and remove the battery pack.
2. Clean dirt and debris from the power head using a damp cloth with a mild detergent.

NOTICE: Do not use any strong detergents on the plastic housing or the handle. They can be damaged by certain aromatic oils such as pine and lemon, and by solvents such as kerosene.

STORING THE POWER HEAD

1. Remove the battery pack from the power head before storing.
2. Clean all foreign material from the power head.
3. Store it in a place that is inaccessible to children.
4. Keep away from corrosive agents such as garden chemicals and de-icing salts.



TROUBLESHOOTING

See the applicable attachment's operator's manual.



EGO LIMITED WARRANTY

WARRANTY POLICY TERMS AND DURATION

Chervon North America, Inc. (“Chervon North America”) provides the following Limited Warranty for EGO products to the original purchaser of EGO products.

The detailed warranty period for each EGO product can be found online at <http://egopowerplus.com/warranty-policy>.

Please contact EGO Customer Service Toll-Free at 1-855-EGO-5656 any time you have questions or warranty claims or would like a hard copy of the warranty.

LIMITED SERVICE WARRANTY

EGO products are warranted against defects in material or workmanship from the date of original retail purchase for the applicable warranty period. For any properly and timely submitted warranty claim, if Chervon North America determines a product to be defective during the warranty period, the product will receive free repair or replacement as determined by Chervon North America.

HOW TO OBTAIN SERVICE

For warranty service, within the applicable warranty period, please contact EGO customer service toll-free at **1-855-EGO-5656**. When requesting warranty service, you must present the original dated sales receipt. An authorized service center will be selected to evaluate and repair the product if defective according to the stated warranty terms. When bringing your product to the authorized service center, there may be a small deposit that will be required when dropping off your tool. This deposit is refundable when the repair service is deemed to be covered under warranty.

ADDITIONAL LIMITATIONS & EXCLUSIONS

This limited warranty applies only to the original purchaser from an authorized EGO retailer and is not transferable. EGO products shall not be considered defective, and this warranty will not apply, where the claimed defect is attributable to any cause other than the above-defined defects. This warranty shall be void if the product has been used for rental purposes. This warranty shall not apply to damage caused by accident, abuse, misuse, alteration, modification, unauthorized repair, liquid contact, fire, earthquake or other external cause; operating the product outside EGO’s instructions, specifications or guidelines; or failure to properly service or maintain the product. This warranty also does not apply to cosmetic damage, including but not limited to scratches or dents; defects caused by normal wear and tear or otherwise due to the normal aging of the product.



THIS EXPRESS WARRANTY IS GIVEN IN LIEU OF ALL OTHER WARRANTIES, EXPRESS OR IMPLIED, INCLUDING, BUT NOT LIMITED TO, ANY WARRANTIES OF MERCHANTABILITY OR FITNESS FOR PARTICULAR PURPOSE OR USE, WHICH ARE DISCLAIMED. Any implied warranties, including warranties of merchantability or fitness for a particular purpose, that cannot be disclaimed under state law are limited to the applicable warranty period defined at the beginning of this article. The sole and exclusive remedy in connection with the purchase, installation, use, and/or performance of the EGO products is repair or replacement of the product as determined by Chervon North America. Chervon North America's maximum liability shall not in any case exceed the purchase price paid for the product. CHERVON NORTH AMERICA SHALL NOT BE LIABLE TO THE USER OR TO ANYONE ELSE FOR CONSEQUENTIAL, INCIDENTAL, SPECIAL, EXEMPLARY, INDIRECT, OR PUNITIVE DAMAGES ARISING FROM USE OF THE PRODUCTS, INCLUDING BUT NOT LIMITED TO PERSONAL INJURY, DEATH, PROPERTY DAMAGE, LOST PROFITS, OR OTHER ECONOMIC INJURY. This warranty gives you specific legal rights, and you may also have other rights which vary from state to state. Some states do not allow limitations on how long an implied warranty lasts, the exclusion or limitation of incidental or consequential damages, or the limitations on time to bring certain actions, so such limitations contained herein do not apply to individual consumers in those states.

This warranty is subject to and shall be interpreted according to Michigan law without regard to principles of conflicts of laws. No legal action shall be brought against Chervon North America unless filed within one (1) year after the basis for such legal action becomes known, or with the exercise of reasonable diligence should have become known. Any action not timely filed shall be deemed waived.

For customer service contact us toll-free at: **1-855-EGO-5656** or

EGOPOWERPLUS.COM.

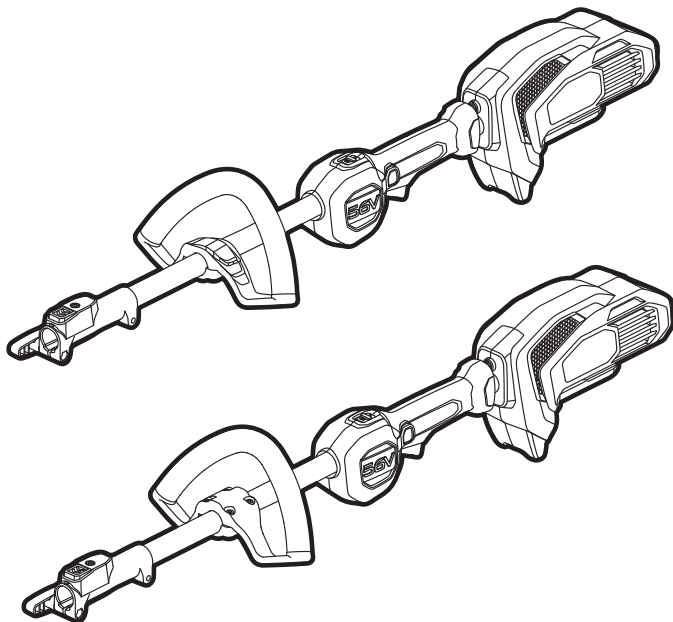
EGO Customer Service

769 Seward Ave. NW, Suite 102

Grand Rapids, Michigan 49504.

EGO™

POWER⁺ POWER HEAD



POUR UTILISATION AVEC DES PIÈCES JOINTES
À LA TÊTE D'ALIMENTATION EGO POWER+

GUIDE D'UTILISATION

TÊTE D'ALIMENTATION AU LITHIUM-ION DE 56 VOLTS

NUMÉRO DE MODÈLE PH1400/PH1400-FC

⚠ AVERTISSEMENT : Afin de réduire les risques de blessure, l'utilisateur doit lire et comprendre le guide d'utilisation avant d'utiliser ce produit. Conservez le présent guide afin de pouvoir le consulter ultérieurement.

LISEZ TOUTES LES INSTRUCTIONS!



LISEZ LE MODE D'EMPLOI ET
ASSUREZ-VOUS QUE VOUS LE COMPRENEZ


TABLE DES MATIÈRES

Symboles de sécurité	27-28
Symboles	29
Consignes de sécurité générales	30-32
Introduction	33
Caractéristiques techniques	33
Liste des pièces contenues dans l'emballage	34
Description	35-37
Assemblage	38-42
Fonctionnement	43-45
Entretien	46-47
Dépannage	47
Garantie limitée D'EGO	48-50

SYMBOLES DE SÉCURITÉ

L'objectif des symboles de sécurité est d'attirer votre attention sur les dangers potentiels. Vous devez examiner attentivement et bien comprendre les symboles de sécurité et les explications qui les accompagnent. Les symboles d'avertissement en tant que tels n'éliminent pas le danger. Les consignes et les avertissements qui y sont associés ne remplacent en aucun cas les mesures préventives adéquates.

⚠ AVERTISSEMENT: Assurez-vous de lire et de comprendre toutes les consignes de sécurité présentées dans le présent mode d'emploi, notamment toutes les consignes de sécurité indiquées par « **DANGER** », « **AVERTISSEMENT** » et « **MISE EN GARDE** ». Le non-respect des consignes de sécurité ci-dessous peut occasionner une décharge électrique, un incendie ou des blessures graves.

Les définitions ci-dessous décrivent le niveau de gravité pour chaque terme signalant un danger. Veuillez lire le mode d'emploi et regarder la signification de ces symboles	
	C'est le symbole d'alerte relatif à la sécurité. Il est utilisé pour vous avertir de l'existence possible d'un danger de lésion corporelle. Obéissez à tous les messages relatifs à la sécurité qui suivent ce symbole pour éviter tout risque de blessure ou même de mort.
	DANGER indique une situation dangereuse qui, si elle n'est pas évitée, causera la mort d'une personne ou une blessure grave.
	AVERTISSEMENT indique une situation dangereuse qui, si elle n'est pas évitée, pourrait causer la mort d'une personne ou une blessure grave.
	MISE EN GARDE , conjointement avec le symbole d'alerte en liaison avec la sécurité, indique une situation dangereuse qui, si elle n'est pas évitée, causera une blessure légère ou modérée.

MESSAGES D'INFORMATION ET DE PRÉVENTION DES DOMMAGES

Ils informent l'utilisateur d'informations et/ou d'instructions importantes qui pourraient entraîner des dommages matériels ou aux équipements s'ils ne sont pas suivis. Chaque message est précédé par le terme « AVIS », comme dans l'exemple ci-dessous :

AVIS : Un dommage matériel et/ou aux équipements peut survenir si ces instructions ne sont pas suivies.

SYMBOLES

Vous trouverez ci-dessous les symboles de sécurité qui peuvent être présents sur le produit, accompagnés de leur description. Vous devez lire, comprendre et suivre toutes les instructions présentes sur l'appareil avant d'entamer son assemblage ou sa manipulation.

	Alerte de sécurité	Indique un risque de blessure.
	Lire et comprendre le guide d'utilisation	Afin de réduire les risques de blessure, l'utilisateur doit lire et comprendre le guide d'utilisation avant d'utiliser ce produit.
	Lunettes de sécurité	Lorsque vous utilisez l'article, portez toujours des lunettes de sécurité couvrantes ou à écrans latéraux, ou un masque complet.
	Symboles de recyclage	Le produit fonctionne à l'aide de piles au lithium-ion (Li-ion). La législation locale, provinciale ou fédérale peut interdire la mise au rebut des blocs-piles dans une poubelle ordinaire. Consultez l'organisme local de gestion des déchets au sujet des possibilités offertes en ce qui concerne la mise au rebut ou le recyclage.
IPX4	Indice de protection	Protection contre les éclaboussures d'eau
V	Volt	Tension
mm	Millimètre	Longueur ou taille
cm	Centimètre	Longueur ou taille
in.	Pouce	Longueur ou taille
kg	Kilogramme	Poids
lb	Livre	Poids
	Courant continu	Type de courant ou caractéristique de courant

CONSIGNES DE SÉCURITÉ GÉNÉRALES

⚠ AVERTISSEMENT! Lorsque vous utilisez des appareils électriques de jardinage, vous devez toujours suivre les consignes de sécurité élémentaires ci-dessous afin de réduire le risque d'incendie, de décharge électrique et de blessure.

LISEZ TOUTES LES INSTRUCTIONS

⚠ DANGER! Ne comptez pas sur l'isolation de l'outil pour vous protéger des décharges électriques. Afin de réduire les risques d'électrocution, n'utilisez jamais l'outil à proximité de fils ou de câbles susceptibles d'être sous tension.

⚠ MISE EN GARDE! Portez des protecteurs d'oreilles appropriés lorsque vous utilisez l'outil. Dans certaines conditions et selon la durée d'utilisation, le bruit produit par cet article peut entraîner une perte auditive.

- **Évitez les environnements dangereux** - N'utilisez pas les appareils dans un endroit mouillé ou humide.
- **Maintenez les enfants à l'écart** - Tous les visiteurs doivent se tenir à distance de la zone de travail.
- **Habillez-vous convenablement** - Ne portez pas de vêtements amples ni de bijoux qui peuvent s'accrocher. Ils pourraient se coincer dans les pièces mobiles de l'outil. Le port de gants de caoutchouc et de chaussures adaptées est recommandé lorsque vous travaillez à l'extérieur. Portez une coiffe de protection pour retenir les cheveux longs.
- **Portez des lunettes de sécurité** - Portez toujours un masque de protection ou un masque antipoussières lorsque l'endroit est poussiéreux.
- **Utilisez l'outil adapté à la tâche** - N'utilisez pas l'outil à des fins autres que celles pour lesquelles il a été conçu.
- **Ne forcez pas l'outil** - Si vous l'utilisez au rythme approprié, il vous permettra de mieux accomplir le travail avec moins de risques de blessure.
- **Ne tendez pas les bras trop loin** - Gardez une position stable et un équilibre approprié en tout temps.
- **Restez attentif. Faites attention à ce que vous faites** - Faites preuve de bon sens. N'utilisez pas l'outil lorsque vous êtes fatigué.
- **Rangez les outils inutilisés à l'intérieur** - Lorsque vous n'utilisez pas les outils, rangez-les à l'intérieur, hors de portée des enfants, dans un endroit sec et

en hauteur ou dans un endroit verrouillé, et retirez le bloc-pile.

- **Entretenez soigneusement l'outil** - Gardez l'outil propre pour obtenir un meilleur rendement et pour réduire les risques de blessure. Suivez les instructions de graissage et de changement d'accessoires. Les poignées doivent toujours être sèches, propres et exemptes d'huile ou de graisse.
- **Vérifiez si des pièces sont endommagées** - Avant d'utiliser l'outil, inspectez soigneusement les protecteurs ou les autres pièces endommagées pour déterminer s'ils peuvent fonctionner correctement et être utilisés normalement. Vérifiez l'alignement des pièces mobiles et leur fixation ainsi que l'état et l'assemblage des pièces, et recherchez tout autre problème pouvant nuire au fonctionnement de l'outil. Si un protecteur ou une autre pièce sont endommagés, ils doivent être réparés correctement ou remplacés par un centre de service autorisé à moins d'indications contraires dans le présent guide.
- **Ne rechargez pas le bloc-pile sous la pluie ni dans un endroit humide.**
- Utilisez le produit uniquement avec les blocs-piles et les chargeurs indiqués ci-dessous :

BLOC-PILE	CHARGEUR
BA1400, BA1400-FC, BA2800, BA2800-FC, BA4200, BA4200-FC, BA1400T, BA1400T-FC, BA2242T, BA2242T-FC, BA2800T, BA2800T-FC, BA3360T, BA3360T-FC, BA4200T, BA4200T-FC, BA4480T, BA4480T-FC, BA5600T, BA5600T-FC, BA6720T, BA6720T-FC	CH2100, CH2100-FC, CH3200, CH3200-FC, CH5500, CH5500-FC, CH2800D, CH2800D-FC, CH7000, CH7000-FC

- **Cette tête d'alimentation PH1400/PH1400-FC de 56 V peut seulement être utilisée avec les accessoires EGO suivants :**

TYPE D'ACCESSOIRE	NUMÉRO DE MODÈLE
Tige de rallonge	EP7500/EP7500-FC/EP7501/EP7501-FC
Coupe-bordure	EA0800/EA0800-FC
Taille-bordure	STA1500/STA1500-FC
Scie à rallonge	PSA1000/PSA1000-FC
Taille-haie	HTA2000/HTA2000-FC
Cultivateur	CTA9500/CTA9500-FC
La brosse à soies	BBA2100/BBA2100-FC
Balayage à pales en caoutchouc	RBA2100/RBA2100-FC
Pelle à neige	SSA1200/SSA1200-FC

- **Ne jetez pas le bloc-pile au feu.** Les cellules pourraient exploser. Consultez la réglementation locale pour connaître les instructions de mise au rebut.
- **N'ouvrez pas et n'abîmez pas le bloc-pile.** L'électrolyte qu'il contient est corrosif et peut causer des lésions oculaires ou cutanées. Il peut être toxique s'il est ingéré.
- **Manipulez le bloc-pile avec soin pour ne pas créer un court-circuit avec des matériaux conducteurs comme des bagues, des bracelets ou des clés.** Le bloc-pile ou le conducteur peuvent surchauffer et causer des brûlures.
- **Pièces de rechange** - lorsque vous procédez à l'entretien, utilisez uniquement des pièces de remplacement EGO identiques aux pièces d'origine. L'utilisation de tout autre accessoire peut augmenter le risque de blessure.
- **Les outils munis d'un bloc-pile n'ont pas besoin d'être branchés sur une prise de courant.** Par conséquent, ils sont toujours prêts à l'emploi. Gardez à l'esprit qu'il existe des dangers potentiels même lorsque l'outil ne fonctionne pas. Soyez prudents lorsque vous effectuez l'entretien ou des réparations.
- **Enlevez ou débranchez le bloc-pile avant de procéder à l'entretien ou au nettoyage de l'outil ou d'en retirer du matériel.**
- **Ne nettoyez pas l'outil avec un jet d'eau, car de l'eau pourrait s'infiltrer dans le moteur et les connexions électriques.**
- **N'incinerez pas l'appareil, même s'il est sérieusement endommagé. Les piles risquent d'exploser si elles sont en contact avec le feu.**
- **N'exposez pas un bloc-piles ou un appareil à un feu ou à une température excessive.** L'exposition au feu ou à une température supérieure à 100 °C (212 °F) peut provoquer une explosion.
- **S'il se produit une situation qui ne figure pas dans le présent manuel, faites preuve de prudence et de jugement. Communiquez avec le centre de service à la clientèle d'EGO pour obtenir de l'aide.**
- **Conservez ces instructions.** Consultez-les régulièrement et utilisez-les pour expliquer le fonctionnement de l'outil à d'autres personnes qui l'utiliseraient. Si vous prêtez cet outil à une personne, prêtez-lui également ces instructions afin de prévenir un usage inapproprié et des blessures potentielles.

CONSERVEZ CES INSTRUCTIONS!

**VOUS TROUVEREZ DES RÈGLES DE SÉCURITÉ SUPPLÉMENTAIRES
DANS LE GUIDE D'UTILISATION DE L'ACCESSOIRE APPLICABLE**

INTRODUCTION


Nous vous félicitons d'avoir choisi la tête d'alimentation EGO au lithium-ion de 56 volts. Elle a été conçue et fabriquée afin de vous offrir la meilleure fiabilité et le meilleur rendement possible.

Si vous éprouvez un problème que vous n'arrivez pas à régler facilement, veuillez communiquer avec le centre de service à la clientèle d'EGO au 1 855 EGO-5656.

Le présent guide contient des renseignements importants pour assembler, utiliser et entretenir en toute sécurité votre produit. Lisez-le soigneusement avant d'utiliser le produit. Conservez ce guide à portée de main afin de pouvoir le consulter à tout moment.

NUMÉRO DE SÉRIE _____ DATE D'ACHAT _____
NOUS VOUS RECOMMANDONS DE NOTER LE NUMÉRO DE SÉRIE ET LA DATE D'ACHAT ET DE LES CONSERVER EN LIEU SÛR AFIN DE POUVOIR LES CONSULTER ULTÉRIEUREMENT.

CARACTÉRISTIQUES TECHNIQUES

Tension	56 V 
Poids	2,64 kg (5,82 lb)
Recommended Operating Temperature	5°F-104°F(-15°C-40°C)
Recommended Storage Temperature	-4°F-158°F(-20°C-70°C)

Accessoire recommandé

NOM DE PIÈCE	NUMÉRO DE MODÈLE
Poignée d'assistance avant à réglage rapide	AQH1500

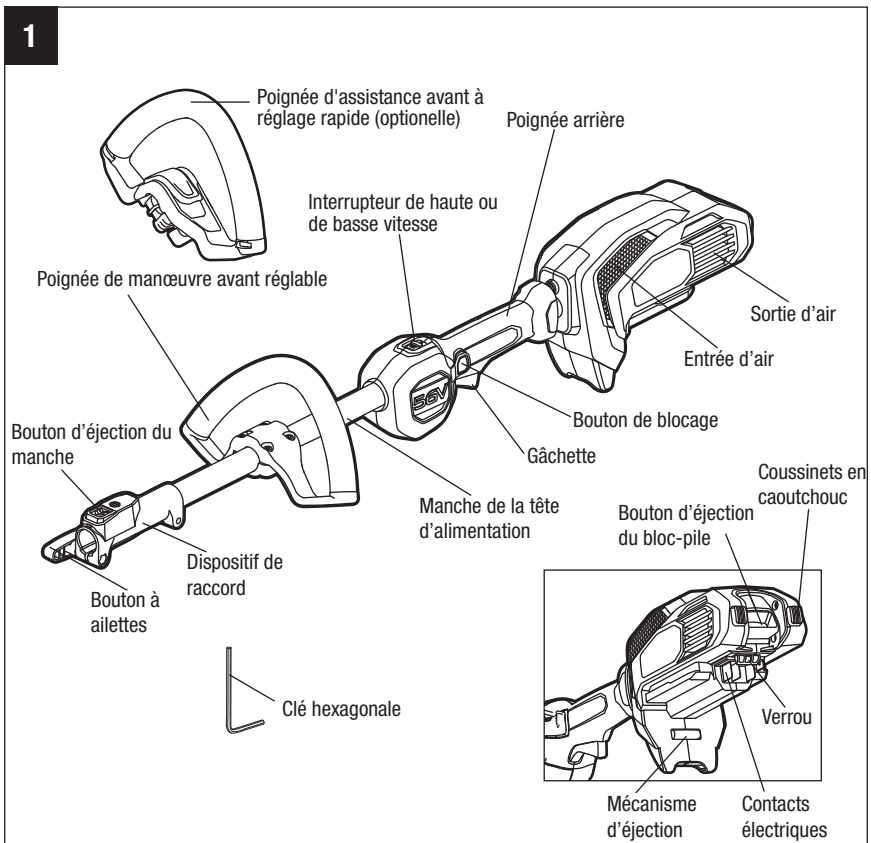
LISTE DES PIÈCES CONTENUES DANS L'EMBALLAGE

NOM DE PIÈCE	QUANTITÉ
Tête d'alimentation	1
Poignée de manœuvre avant réglable	1
Clé hexagonale	1
Guide d'utilisation	1

DESCRIPTION

FAMILIARISEZ-VOUS AVEC VOTRE TÊTE D'ALIMENTATION (Fig. 1)

Pour utiliser ce produit en toute sécurité, vous devez comprendre les renseignements le concernant contenus dans ce guide d'utilisation et connaître le projet que vous entreprenez. Avant d'utiliser ce produit, familiarisez-vous avec toutes les caractéristiques de fonctionnement et consignes de sécurité.



POIGNÉE DE MANŒUVRE AVANT RÉGLABLE

S'ajuste pour faciliter le fonctionnement et aider à prévenir les pertes de contrôle.

POIGNÉE ARRIÈRE

Poignée ergonomique surmoulée améliorant le confort et la prise.

BOUTON DE BLOPAGE

Aide à prévenir l'activation accidentelle ou non autorisée de la gâchette. Il doit être maintenu enfoncé afin d'enclencher la gâchette.

INTERRUPTEUR À VITESSE VARIABLE

Permet de mettre en marche et d'arrêter l'outil, et d'en contrôler la vitesse.

INTERRUPTEUR DE HAUTE OU DE BASSE VITESSE

Permet des vitesses élevées ou faibles pour différentes tâches selon les besoins.

DISPOSITIF DE RACCORD

Aide à brancher rapidement le manche des accessoires.

BOUTON D'ÉJECTION DU MANCHE

Sert à éjecter le manche de l'accessoire.

BOUTON À AILETTES

Permet de serrer le dispositif de raccord et le branchement du manche de l'accessoire.

BOUTON D'ÉJECTION DU BLOC-PILE

Permet de dégager le bloc-pile de l'outil.

VERROU

Permet de bloquer le bloc-pile lorsque celui-ci est installé sur le taille-bordure.

MÉCANISME D'ÉJECTION

Aide à retirer le bloc-pile.

TAMPON EN CAOUTCHOUC

Permet de protéger le boîtier des impacts pendant l'utilisation.

ASSEMBLAGE

⚠ AVERTISSEMENT : S'il y a des pièces manquantes ou endommagées, ne tentez pas d'utiliser ce produit tant que ces pièces n'auront pas été remplacées. L'utilisation de ce produit avec des pièces endommagées ou manquantes peut causer des blessures graves.

⚠ AVERTISSEMENT : Ne tentez pas de modifier ce produit ni de créer des accessoires qui ne sont pas recommandés pour cette scie à rallonge. Toute altération ou modification de ce type constitue un usage inapproprié et peut engendrer une situation dangereuse susceptible de causer des blessures graves.

⚠ AVERTISSEMENT : Enlevez toujours le bloc-pile de l'outil lorsque vous assemblez des pièces, procédez à des ajustements ou à son nettoyage ou lorsque le produit n'est pas utilisé.

DÉBALLAGE

- Ce produit doit être assemblé.
- Retirez soigneusement le produit et toutes les pièces de l'emballage. Assurez-vous que toutes les pièces mentionnées sur la liste des pièces sont présentes.

⚠ AVERTISSEMENT : N'utilisez pas ce produit si l'une ou l'autre des pièces figurant sur la liste des pièces est déjà assemblée à votre produit lors du déballage. Les pièces de cette liste ne sont pas assemblées au produit par le fabricant et doivent être installées par le client. L'utilisation d'un produit mal assemblé pourrait occasionner des blessures graves.

- Inspectez soigneusement l'outil pour vérifier qu'il n'a pas été endommagé pendant l'expédition.
- Ne jetez pas le matériel d'emballage avant d'avoir inspecté soigneusement l'outil et de l'avoir fait fonctionner de manière satisfaisante.
- S'il y a des pièces manquantes ou endommagées, veuillez retourner le produit à l'endroit où vous l'avez acheté.

INSTALLATION D'UN ACCESSOIRE SUR LA TÊTE D'ALIMENTATION

⚠ AVERTISSEMENT : Assurez-vous de lire et de comprendre l'intégralité du guide d'utilisation pour chaque accessoire en option utilisé sur cette tête d'alimentation et respectez tous les avertissements et les instructions. Le non-respect des consignes de sécurité peut occasionner une décharge électrique, un incendie ou des blessures graves.

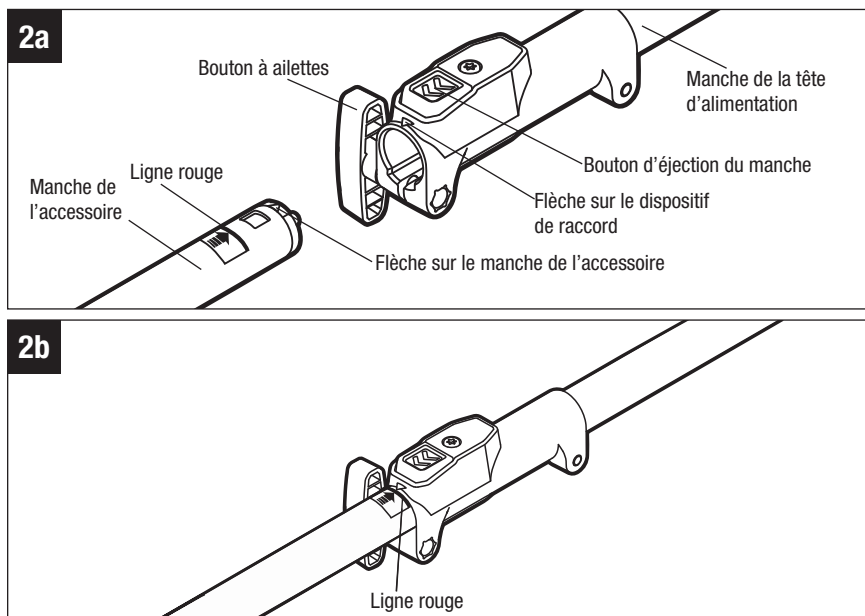
⚠ AVERTISSEMENT : Cette tête d'alimentation PH1400/PH1400-FC de 56 V est conçue pour être utilisée uniquement avec les modèles d'accessoires EGO précisés dans ce guide d'utilisation ou introduits par la suite par EGO pour une utilisation avec cette tête d'alimentation. L'utilisation d'autres accessoires non autorisés pourrait causer des blessures graves ou des dommages matériels.

⚠ AVERTISSEMENT : Certains accessoires ont des exigences particulières liées à la sécurité. Portez toujours une attention particulière aux instructions du manuel qui accompagne chaque accessoire.

⚠ AVERTISSEMENT : Ne jamais installer, retirer ou ajuster un accessoire pendant que la tête d'alimentation est en marche ou que le bloc-pile est en place. Laisser le moteur fonctionner et garder le bloc-pile en place peut entraîner de graves blessures. **NE FAITES JAMAIS FONCTIONNER LA TÊTE D'ALIMENTATION SANS ACCESSOIRE.**

L'accessoire se branche à la tête d'alimentation grâce à un dispositif de raccord.

1. Arrêtez le moteur et enlevez le bloc-pile.
2. Desserrez le bouton à ailettes.
3. Retirez l'embout amovible et placez-le à un endroit sûr pour une utilisation ultérieure. Alignez la flèche du manche sur la flèche du dispositif de raccord (figure 6a) et poussez le manche dans le dispositif jusqu'à ce qu'un déclic se fasse entendre. Pour une fixation adéquate du manche, le dispositif de raccord doit être enfoncé jusqu'à la LIGNE ROUGE sur l'étiquette du manche (figure 6b).



4. Tirez sur le manche de l'accessoire pour vous assurer qu'il est bien verrouillé dans le dispositif de raccord. Si ce n'est pas le cas, faites tourner le manche de l'accessoire de gauche à droite jusqu'à ce qu'il se verrouille dans le dispositif de raccord.
5. Serrez fermement le bouton à ailettes.

⚠ AVERTISSEMENT : Assurez-vous que le bouton à ailettes est serré fermement avant de manipuler l'outil. Inspectez-le régulièrement pendant l'utilisation pour vous assurer qu'il reste serré et pour prévenir des blessures graves.

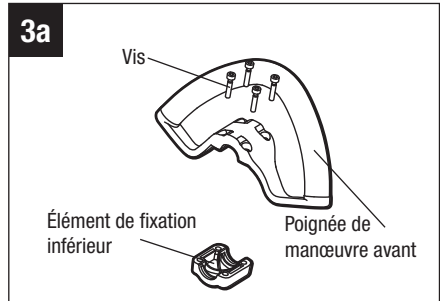
RETRAIT DE L'ACCESSOIRE DE LA TÊTE D'ALIMENTATION

1. Arrêtez le moteur et enlevez le bloc-pile.
2. Desserrez le bouton à ailettes.
3. Appuyez sur le bouton d'éjection du manche et, en le gardant enfoncé, tirez ou tournez le manche de l'accessoire pour le dégager du dispositif de raccord.

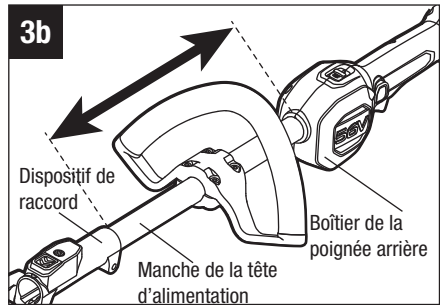
INSTALLATION ET RÉGLAGE DE LA POIGNÉE DE MANŒUVRE AVANT

⚠ AVERTISSEMENT : Enlevez toujours le bloc-piles de l'outil lorsque vous assemblez des pièces, procédez à des ajustements ou à son nettoyage ou lorsque le produit n'est pas utilisé.

1. Arrêtez le moteur et enlevez le bloc-pile, s'il est installé.
2. Desserrez les quatre vis de la poignée de manœuvre avant à l'aide de la clé hexagonale fournie, puis retirez les vis et l'élément de fixation inférieur de la poignée de manœuvre avant (Fig. 3a).



3. Placez la poignée de manœuvre avant et l'élément de fixation inférieur sur le manche de la tête d'alimentation et fixez-les sans serrer complètement les quatre vis. Tournez la poignée de manœuvre avant en l'orientant vers le haut de façon à ce qu'elle pointe vers le haut de la poignée arrière (Fig. 3b).
4. Réglez la position de la poignée de manœuvre avant entre le boîtier de la poignée arrière et le dispositif de raccord sur le manche de la tête d'alimentation (Fig. 3b)

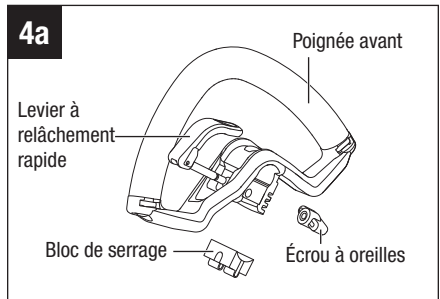


5. Vissez fermement les quatre vis afin que la poignée ne tourne pas sur le manche.

⚠ AVERTISSEMENT : N'utilisez jamais l'outil si la poignée de manœuvre avant n'est pas fixée fermement.

REMARQUE : La poignée d'assistance avant à réglage rapide en option (Modèle numéro AQH1500) peut être utilisée à la place de la poignée d'assistance avant incluse dans le kit. Suivez les instructions ci-dessous pour installer la poignée d'assistance avant à réglage rapide AQH1500.

1. Desserrez et retirez le levier du poteau de verrouillage et l'écrou à oreilles de la poignée à boucle (Fig. 4a).

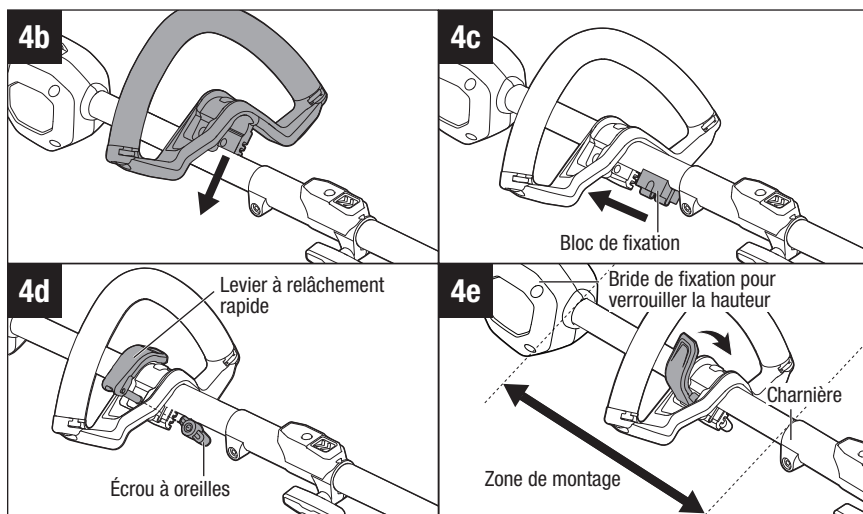


2. Pousser la poignée d'assistance avant entre le boîtier de la poignée arrière et le dispositif de raccord sur le manche de la tête d'alimentation. (Fig. 4b).
3. Insérez le bloc de fixation dans la fente de la poignée (Fig. 4c).
4. Montez le levier du poteau de verrouillage et effectuez un serrage initial de l'écrou à oreilles. Assurez-vous que la poignée à boucle est positionnée vers le haut et est orientée vers le haut de la poignée arrière (Fig. 4d).
5. Tirez le levier à relâchement rapide vers le haut pour déplacer/faire tourner la poignée avant jusqu'à une position de fonctionnement confortable (Fig. 4e).

AVIS : La poignée avant doit être positionnée sur l'arbre uniquement à l'intérieur de la zone de montage (Fig. 4e).

6. Engagez le levier à relâchement rapide afin de sécuriser la poignée avant en position.

⚠ AVERTISSEMENT : L'outil ne peut pas être utilisé si la poignée à boucle n'est pas sécurisée solidement en place.



FONCTIONNEMENT

⚠ AVERTISSEMENT : Ne laissez pas votre bonne connaissance du produit vous rendre négligent. N'oubliez pas qu'une fraction de seconde d'inattention suffit à se blesser gravement.

⚠ AVERTISSEMENT : Portez toujours des lunettes de sécurité couvrantes ou à écrans latéraux conformes à la norme ANSI Z87.1. Sinon, vous pourriez recevoir des débris dans les yeux et vous blesser gravement.

⚠ AVERTISSEMENT : N'utilisez pas de pièces ni d'accessoires qui ne sont pas recommandés par le fabricant de ce produit. L'utilisation de pièces ou d'accessoires non recommandés peut causer des blessures graves.

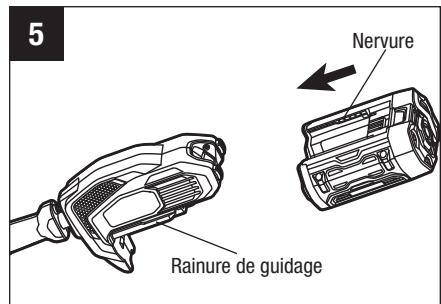
INSTALLATION ET RETRAIT DU BLOC-PILE

⚠ AVERTISSEMENT : Enlevez toujours le bloc-pile de l'outil lorsque vous assemblez des pièces, procédez à des ajustements ou à son nettoyage ou lorsque l'article n'est pas utilisé. Le retrait du bloc-pile permet de prévenir une mise en marche accidentelle pouvant occasionner des blessures graves.

REMARQUE : Chargez le bloc-pile au maximum avant sa première utilisation.

Installation du bloc-pile (Fig. 5)

1. Alignez les nervures du bloc-pile sur les rainures de montage situées dans le port du bloc-pile de la tête d'alimentation.
2. Appuyez sur le bloc-pile en direction de la tête d'alimentation jusqu'à ce qu'il s'enclenche en position.



REMARQUE : Avant d'utiliser l'outil, assurez-vous que le bas du bloc-pile s'enclenche et que le bloc-pile est solidement fixé à la tête d'alimentation. Ne pas bien fixer le bloc-pile peut faire tomber ce dernier et entraîner des blessures graves.

Retrait du bloc-pile (Fig. 6)

⚠ AVERTISSEMENT : Soyez toujours conscient de l'emplacement de vos pieds, de vos enfants et de vos animaux de compagnie lorsque vous appuyez sur le bouton d'éjection du bloc-pile. La chute du bloc-pile pourrait causer des blessures graves. **NE retirez JAMAIS le bloc-pile lorsque vous êtes en hauteur.**

1. Tenez le bloc-pile dans la paume de la main.
2. Pour libérer le bloc-pile du verrou, appuyez sur le bouton d'éjection du bloc-pile avec le pouce.
3. Saisissez le bloc-pile et retirez-le de la tête d'alimentation.

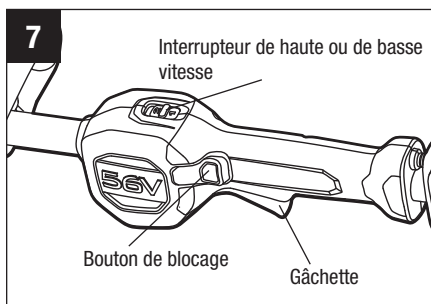
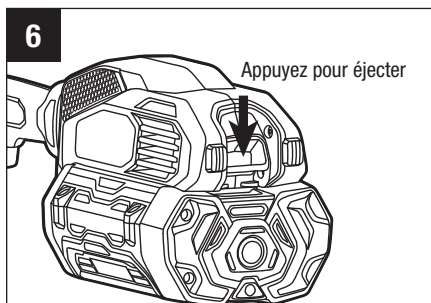
⚠ AVERTISSEMENT : Afin de prévenir les blessures graves, retirez toujours le bloc-piles et gardez les mains à distance du bouton de déverrouillage et de la gâchette lorsque vous transportez ou entreposez l'outil.

MISE EN MARCHÉ ET ARRÊT DE LA TÊTE D'ALIMENTATION (Fig. 7)

⚠ AVERTISSEMENT : N'UTILISEZ JAMAIS LA TÊTE D'ALIMENTATION SANS ACCESSOIRE. Ne tentez pas de démarrer la tête d'alimentation sans accessoire.

Pour mettre en marche la tête d'alimentation

1. Appuyez sur le bouton de blocage et maintenez-le enfoncé. Pressez la gâchette pour mettre en marche la tête d'alimentation. Relâchez le bouton de blocage et gardez la gâchette enfoncée pour utiliser l'outil de façon continue.



2. La gâchette à vitesse variable permet de contrôler la vitesse de rotation de l'outil. Une pression plus grande sur la gâchette procure une vitesse plus élevée tandis qu'une pression plus faible amène une vitesse réduite. Réglez la vitesse en fonction de la tâche à accomplir.

AVIS : Le moteur ne tourne que lorsque le bouton de blocage et la gâchette sont enclenchés simultanément.

Fonction de réglage de vitesse (Fig. 7)

La tête d'alimentation est dotée de deux vitesses. La position « 1 » est pour une vitesse faible tandis que la position « 2 » est conçue pour une vitesse élevée. Poussez l'interrupteur de haute ou de basse vitesse ou tirez sur ce dernier pour choisir la vitesse appropriée pendant le fonctionnement.

Pour arrêter la tête d'alimentation

Relâchez la gâchette pour arrêter la tête d'alimentation.

⚠ AVERTISSEMENT : Retirez toujours le bloc-pile de la tête d'alimentation lorsque vous faites des pauses et une fois que vous avez terminé de l'utiliser.

ENTRETIEN

⚠ AVERTISSEMENT : Avant d'inspecter, de nettoyer ou d'effectuer l'entretien de l'unité, arrêtez le moteur, attendez que toutes les pièces mobiles s'arrêtent et retirez le bloc-pile. Le non-respect de ces directives peut entraîner des blessures graves ou des dommages matériels.

⚠ AVERTISSEMENT : Lorsque vous procédez à l'entretien de l'outil, utilisez uniquement des pièces de remplacement identiques à celles d'origine. L'utilisation de toute autre pièce peut constituer un danger ou endommager le produit.

AVIS : Avant chaque utilisation, inspectez l'intégralité du produit pour vérifier s'il y a des pièces endommagées, manquantes ou lâches, comme des vis, des boulons, des écrous, des capuchons, etc. Fixez fermement toutes les attaches et tous les capuchons et ne faites pas fonctionner ce produit avant que toutes les pièces manquantes ou endommagées aient été remplacées. Veuillez communiquer avec le service à la clientèle ou un centre de service qualifié pour obtenir de l'aide.

ENTRETIEN GÉNÉRAL

Évitez d'utiliser des solvants sur les pièces en plastique. La plupart des plastiques sont susceptibles d'être endommagés par divers types de solvants commerciaux. Utilisez un linge propre pour enlever la saleté, la poussière, l'huile, la graisse, etc.

⚠ AVERTISSEMENT : Ne laissez en aucun temps du liquide pour freins, de l'essence, des produits à base de pétrole, des huiles dégrippantes et autres produits de ce genre entrer en contact avec les pièces en plastique. Les produits chimiques peuvent endommager, affaiblir ou détruire le plastique et engendrer ainsi des risques de blessures graves.

NETTOYAGE DE LA TÊTE D'ALIMENTATION

1. Arrêtez le moteur et enlevez le bloc-pile.
2. Nettoyez la saleté et les débris de la tête d'alimentation au moyen d'un linge humide et d'un détergent doux.

AVIS : N'utilisez pas de détergents puissants pour nettoyer le boîtier en plastique ni la poignée. Certaines huiles aromatiques, comme le pin et le citron, et certains solvants, comme le kérosène, peuvent les endommager.

REMISAGE DE LA TÊTE D'ALIMENTATION

1. Retirez le bloc-pile de la tête d'alimentation avant de l'entreposer.
2. Nettoyez toute matière étrangère de la tête d'alimentation.
3. Rangez-la dans un endroit auquel les enfants n'ont pas accès.
4. Rangez-la à l'écart des agents corrosifs, comme des produits chimiques de jardinage ou des sels de déglacage.

DÉPANNAGE

Consultez le guide d'utilisation de l'accessoire applicable.

GARANTIE LIMITÉE D'EGO

CONDITIONS ET DURÉE DE LA POLITIQUE DE GARANTIE

Chervon North America, Inc. (« Chervon North America ») accorde la Garantie limitée suivante pour les produits EGO à l'acheteur initial de produits EGO.

La période de garantie détaillée de chaque produit EGO est indiquée en ligne à l'adresse <http://egopowerplus.com/warranty-policy>.

Veillez contacter le Service à la clientèle d'EGO en téléphonant au 1-855-EGO-5656 (appel gratuit) à tout moment en cas de questions, si vous voulez vous prévaloir de la garantie ou si vous souhaitez obtenir une version sur papier de la garantie.

GARANTIE LIMITÉE DE SERVICE APRÈS-VENTE

Les produits EGO sont garantis contre tout défaut de matériel ou de fabrication à partir de la date d'achat au détail originale et pendant la période de garantie applicable.

Pour toute demande de garantie soumise correctement et dans les délais, si Chervon North America détermine qu'un produit est défectueux pendant la période de garantie, le produit sera réparé ou remplacé gratuitement, selon ce qui aura été déterminé par Chervon North America.

COMMENT OBTENIR DE L'ASSISTANCE DANS LE CADRE DU SERVICE APRÈS-VENTE

Pour obtenir de l'assistance dans le cadre de la garantie (pendant la période de garantie applicable), veuillez contacter le service à la clientèle d'EGO en téléphonant au **1-855-EGO-5656** (appel gratuit). Lorsque vous demandez de l'assistance dans le cadre de la garantie, vous devez présenter le reçu de vente original daté. Un centre de service après-vente agréé sera sélectionné pour évaluer et réparer le produit défectueux conformément aux conditions de garantie énoncées. Lorsque vous apportez votre produit au centre de service après-vente agréé, il se peut qu'une petite caution vous soit demandée lors du dépôt de votre outil. Cette caution est remboursable lorsque le service de réparation est considéré comme étant couvert par la garantie.

LIMITATIONS ET EXCLUSIONS SUPPLÉMENTAIRES

Cette garantie limitée ne s'applique qu'à l'acheteur initial d'un produit à un revendeur agréé EGO, et elle ne peut pas être cédée. Les produits EGO ne sont pas considérés comme défectueux et la présente garantie ne s'applique pas lorsque le défaut invoqué est imputable à une cause autre que les défauts définis ci-dessus. Cette garantie est nulle et non avenue si le produit a été utilisé à des fins de location. La présente garantie ne s'applique pas aux dommages causés par un accident, un abus, une mauvaise utilisation, une altération, une modification, une réparation non autorisée, un contact avec un liquide, un incendie, un tremblement de terre ou toute autre cause externe ; par une utilisation du produit en dehors des instructions, spécifications ou directives d'EGO ; ou par un manquement à l'entretien ou à la maintenance convenable du produit. Cette garantie ne s'applique pas non plus aux dommages esthétiques, y compris, mais sans s'y limiter, les rayures ou les bosses, ainsi qu'aux défauts causés par l'usure normale ou autrement dus au vieillissement normal du produit.

CETTE GARANTIE EXPRESSE EST DONNÉE EN LIEU ET PLACE DE TOUTE AUTRE GARANTIE, EXPRESSE OU IMPLICITE, Y COMPRIS, MAIS SANS S'Y LIMITER, TOUTE GARANTIE DE QUALITÉ MARCHANDE OU D'ADÉQUATION À UN USAGE PARTICULIER, QUI EST REJETÉE. Toute garantie implicite, y compris la garantie de qualité marchande ou d'adéquation à un usage particulier qui ne peut être rejetée en vertu de la loi de l'État ou de la province est limitée à la période de garantie applicable définie au début de cet article. Le seul et unique recours en rapport avec l'achat, l'installation, l'utilisation et/ou la performance des produits EGO est la réparation ou le remplacement du produit selon la décision de Chervon North America. La responsabilité maximale de Chervon North America ne dépassera en aucun cas le prix d'achat payé pour le produit. CHERVON NORTH AMERICA NE SERA PAS RESPONSABLE ENVERS L'UTILISATEUR OU TOUTE AUTRE PERSONNE DES DOMMAGES CONSÉCUTIFS, ACCIDENTELS, SPÉCIAUX, EXEMPLAIRES, INDIRECTS OU PUNITIFS RÉSULTANT DE L'UTILISATION DES PRODUITS, Y COMPRIS, MAIS SANS S'Y LIMITER, LES PRÉJUDICES CORPORELS, LA MORT, LES DOMMAGES MATÉRIELS, LA PERTE DE BÉNÉFICES OU TOUT AUTRE DOMMAGE ÉCONOMIQUE. Cette garantie vous confère des garanties juridiques particulières, et vous pouvez aussi avoir d'autres droits, qui varient selon l'État ou la province. Étant donné que certains États et certaines provinces ne permettent pas de limitations quant à la durée d'une garantie implicite ou ne permettent pas l'exclusion ou la limitation des dommages indirects ou secondaires, ou le délai de prescription pour intenter certaines actions, il est possible que les limitations contenues aux présentes ne s'appliquent pas à consommateurs dans ces États ou provinces.



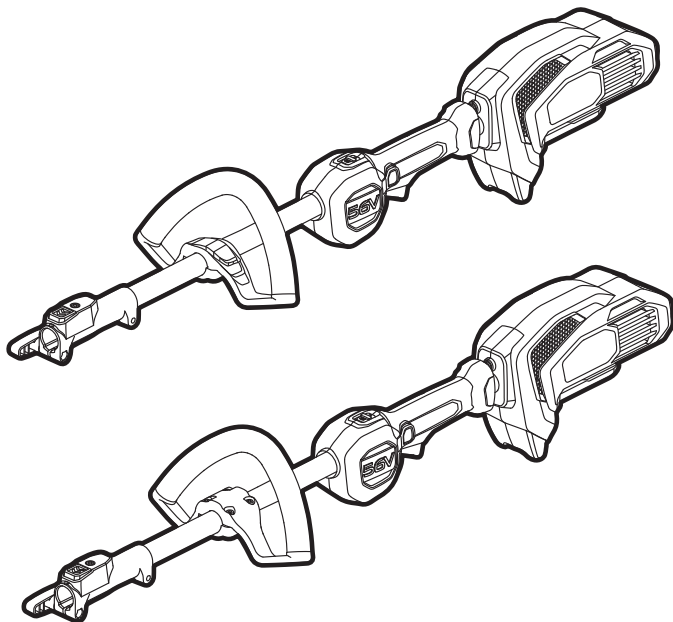
Cette garantie est soumise au droit du Michigan et doit être interprétée conformément au droit du Michigan sans tenir compte des principes de conflits de lois. Aucune action en justice ne pourra être intentée contre Chervon North America si elle n'est pas déposée dans un délai d'un (1) an après que le fondement de cette action en justice aura été connu, ou qu'il aurait dû l'être si une diligence raisonnable avait été exercée. Toute action non intentée dans les délais est réputée abandonnée.

Pour le service à la clientèle, contactez-nous en téléphonant au numéro suivant (appel gratuit) : **1-855-EGO-5656** ou **EGOPOWERPLUS.COM**.

EGO Customer Service,
769 Seward Ave. NW, Suite 102,
Grand Rapids, Michigan 49504.

EGO™

POWER⁺ POWER HEAD



PARA USO CON LOS ACCESORIOS DEL
CABEZAL MOTOR EGO POWER+

MANUAL DEL USUARIO

CABEZAL MOTOR CON BATERÍA DE IONES DE LITIO DE 56 VOLTIOS

MODELO NÚMERO PH1400/PH1400-FC

⚠ ADVERTENCIA: para reducir el riesgo de lesiones, el usuario debe leer y comprender el Manual del usuario antes de usar este producto. Guarde estas instrucciones para consultarlas en el futuro.

¡LEA TODAS LAS INSTRUCCIONES!



LEA Y ENTIENDA EL
MANUAL DEL OPERADOR

ÍNDICE

Símbolos de seguridad	53
Símbolos	54
Instrucciones generales de seguridad.....	55-57
Introducción.....	58
Especificaciones	58
Lista de empaque	59
Descripción	60-62
Ensamblaje	63-67
Funcionamiento.....	68-70
Mantenimiento.....	71-72
Solución de problemas	72
Garantía limitada de EGO.....	73-75

SÍMBOLOS DE SEGURIDAD

El propósito de los símbolos de seguridad es alertarlo sobre posibles peligros. Los símbolos de seguridad y sus explicaciones merecen una atención y comprensión minuciosas. Las advertencias de los símbolos, por sí mismas, no eliminan los peligros. Las instrucciones y las advertencias no sustituyen las medidas de prevención de accidentes que correspondan.

⚠ ADVERTENCIA: Antes de utilizar esta herramienta, asegúrese de leer y comprender todas las instrucciones de seguridad en este Manual del propietario, incluidos todos los símbolos de alerta de seguridad como “**PELIGRO**”, “**ADVERTENCIA**” y “**PRECAUCIÓN**”. No seguir todas las instrucciones que se indican a continuación podría resultar en descargas eléctricas, incendios y/o lesiones personales graves.

Las definiciones que aparecen a continuación describen el nivel de gravedad de cada palabra de aviso. Por favor, lea el manual y preste atención a estos símbolos.	
	Este es el símbolo de alerta de seguridad. Se utiliza para alertarle a usted de posibles peligros de lesiones corporales. Obedezca todos los mensajes de seguridad que sigan a este símbolo para evitar posibles lesiones o la muerte.
	PELIGRO indica una situación peligrosa que, si no se evita, causará la muerte o lesiones graves.
	ADVERTENCIA indica una situación peligrosa que, si no se evita, podría causar la muerte o lesiones graves.
	PRECAUCIÓN, utilizada con el símbolo de alerta de seguridad, indica una situación peligrosa que, si no se evita, podría causar lesiones leves o moderadas.

MENSAJES DE PREVENCIÓN DE DAÑOS E INFORMACIÓN

Estos mensajes ofrecen al usuario información y/o instrucciones importantes que, de no seguirse, podrían causar daños al equipo u otros daños materiales. Antes de cada mensaje, aparece la palabra “**AVISO**”, como en el ejemplo a continuación:

AVISO: Si no se siguen estas instrucciones se pueden producir daños al equipo y/o daños materiales.

SÍMBOLOS

Esta página muestra y describe los símbolos de seguridad que pueden aparecer en este producto. Lea, comprenda y siga todas las instrucciones de la máquina antes de ensamblarla y utilizarla.

	Alerta de seguridad	Indica un peligro potencial de producir lesiones.
	Lea y comprenda el Manual del usuario	Para reducir el riesgo de lesiones, el usuario debe leer y comprender el Manual del usuario antes de usar este producto.
	Lentes de protección	Use siempre gafas de seguridad o anteojos con protección lateral y un protector facial al operar este producto.
	Símbolos de reciclaje	Este producto usa baterías de iones de litio. Es posible que las leyes municipales, provinciales o nacionales prohíban desechar las baterías con los residuos comunes. Consulte a la autoridad local en materia de residuos sobre las opciones de eliminación y reciclaje disponibles.
IPX4	Grado de protección de admisión	Protección contra salpicaduras de agua
V	Voltio	Voltaje
mm	Milímetro	Longitud o tamaño
cm	Centímetro	Longitud o tamaño
in.	Pulgada	Longitud o tamaño
kg	Kilogramo	Peso
lb	Libra	Peso
	Corriente continua	Tipo o característica de la corriente

INSTRUCCIONES GENERALES DE SEGURIDAD

⚠️ ADVERTENCIA! Al usar artefactos eléctricos de jardinería, las precauciones básicas de seguridad deberán respetarse para reducir el riesgo de incendios, descargas eléctricas y lesiones personales; entre ellas se incluyen:

LEA TODAS LAS INSTRUCCIONES

⚠️ ¡PELIGRO! No dependa del aislamiento de la herramienta para evitar las descargas eléctricas. Para reducir el riesgo de electrocución, nunca opere la herramienta en las cercanías de cables que conducen corriente eléctrica.

⚠️ ¡PRECAUCIÓN! Use protección auditiva personal adecuada durante la manipulación. Bajo algunas condiciones y periodos de uso, el ruido de este producto podría contribuir a la pérdida de la audición.

- **Evite entornos peligrosos** - no use la herramienta en lugares húmedos o mojados.
- **Mantenga a los niños alejados** - todos los visitantes deben mantenerse alejados del área de trabajo.
- **Vístase de manera adecuada** - no use ropa holgada ni joyas. Estas pueden quedar atascadas en las piezas móviles. Se recomienda usar guantes y calzado de goma para trabajar en exteriores. Use protección para el cabello a fin de contener el cabello largo.
- **Use gafas de seguridad** - use siempre una máscara o mascarilla antipolvo si trabajará en una zona con mucho polvo.
- **Use la herramienta adecuada** - no use la herramienta para ninguna otra tarea que no sea la prevista.
- **No fuerce el aparato** - esta máquina funcionará mejor y con menos probabilidades de producir lesiones si se usa al ritmo para el cual se diseñó.
- **No se extralimite** - mantenga el punto de apoyo y el equilibrio adecuado en todo momento.
- **Manténgase alerta** - concéntrese en lo que hace. Use el sentido común. No opere el aparato si está cansado.
- **Guarde los aparatos en el interior** - cuando no esté en uso, los aparatos debe guardarse en interiores, en un lugar seco y alto o bajo llave, sin el paquete de baterías y fuera del alcance de los niños.
- **Cuide su aparato** - mantenga el aparato limpio para obtener mejores resultados y reducir el riesgo de lesiones. Siga las instrucciones para lubricar y cambiar los

accesorios. Mantenga las manijas limpias, secas y libres de aceite y grasa.

- **Revise las piezas dañadas** - antes de continuar con la operación del producto, se deben revisar con cuidado las protecciones u otras piezas dañadas a fin de determinar si funcionan correctamente y cumplen su función específica. Compruebe la alineación de las piezas móviles, que las piezas no estén dobladas o rotas, que el montaje sea el correcto y cualquier otra condición que pueda afectar el funcionamiento. Las protecciones u otras piezas dañadas deben repararse de manera adecuada o cambiarse en un centro de servicio autorizado, a menos que se indique lo contrario en este manual.
- **No cargue el paquete de baterías bajo la lluvia o en lugares húmedos.**
- **Use solamente con el paquete de baterías y el cargador que se indican a continuación:**

PAQUETES DE BATERÍAS	CARGADOR
BA1400, BA1400-FC, BA2800, BA2800-FC, BA4200, BA4200-FC, BA1400T, BA1400T-FC, BA2242T, BA2242T-FC, BA2800T, BA2800T-FC, BA3360T, BA3360T-FC, BA4200T, BA4200T-FC, BA4480T, BA4480T-FC, BA5600T, BA5600T-FC, BA6720T, BA6720T-FC	CH2100, CH2100-FC, CH3200, CH3200-FC, CH5500, CH5500-FC, CH2800D, CH2800D-FC, CH7000, CH7000-FC

- **El cabezal motor PH1400/PH1400-FC de 56 v se puede usar con solo los siguientes accesorios de EGO:**

TIPO DE ACCESORIO	NÚMERO DE MODELO
Pértiga de extensión	EP7500/EP7500-FC/EP7501/EP7501-FC
Bordeadora	EA0800/EA0800-FC
Orilladora de hilo	STA1500/STA1500-FC
Podadora de altura	PSA1000/PSA1000-FC
Cortadora de orillas	HTA2000/HTA2000-FC
Cultivadora	CTA9500/CTA9500-FC
Cepillo de cerdas	BBA2100/BBA2100-FC
Escoba de caucho	RBA2100/RBA2100-FC
Pala quitanieves	SSA1200/SSA1200-FC

- **No arroje las baterías al fuego.** Las células pueden explotar. Consulte los códigos locales para conocer las posibles instrucciones de desecho especiales.

- **No abra ni rompa la batería.** Los electrolitos liberados son corrosivos y pueden causar daños en los ojos o la piel. Si se tragan pueden ser tóxicos.
- **Manipule las baterías con cuidado para no acortar su vida útil con materiales conductores como anillos, brazaletes y llaves.** La batería o el conductor podrían sobrecalentarse y producir quemaduras.
- **Piezas de repuesto** - Al realizar mantenimiento, utilice solo piezas de repuesto EGO idénticas. El uso de cualquier otro accesorio puede aumentar el riesgo de lesiones.
- **Las herramientas a batería no necesitan estar conectadas a un enchufe, por lo tanto siempre se encuentran en condiciones de funcionar.** Conozca los peligros posibles que existen aun cuando la herramienta no esté en funcionamiento. Tenga cuidado al realizarle mantenimiento o repararla.
- **Retire o desconecte el paquete de baterías antes de hacer el mantenimiento, limpiar o retirar material de la cortadora de césped.**
- **No lave el producto con una manguera; evite que el motor y las conexiones eléctricas se mojen.**
- **No incinere el electrodoméstico incluso si está muy dañado. Las baterías pueden explotar en un incendio.**
- **N'exposez pas un bloc-piles ou un appareil à un feu ou à une température excessive.** L'exposition au feu ou à une température supérieure à 100 °C (212 °F) peut provoquer une explosion.
- **Si se presentan situaciones que no están previstas en este manual, tenga cuidado y use el sentido común. Póngase en contacto con el Centro de Servicio al Cliente de EGO para recibir ayuda.**
- **Guarde estas instrucciones.** Consúltelas con frecuencia y úselas para dar instrucciones a otras personas que puedan usar esta herramienta. Si le presta esta herramienta a alguien, préstele también estas instrucciones para evitar el mal uso del producto y posibles lesiones.

GUARDE ESTAS INSTRUCCIONES.

EN EL MANUAL DEL USUARIO CORRESPONDIENTE AL ACCESORIO SE PUEDEN ENCONTRAR NORMAS ESPECÍFICAS DE SEGURIDAD ADICIONALES.

INTRODUCCIÓN


Felicitaciones por elegir el cabezal motor EGO de iones de litio de 56 voltios. Este está pensado, diseñado y fabricado para brindarle el mejor rendimiento y la mejor confiabilidad posibles.

En caso de que tuviera algún problema que no pudiera resolver fácilmente, póngase en contacto con el Centro de Servicio al Cliente de EGO al 1-855-EGO-5656.

Este manual contiene información importante para el ensamblaje, la operación y el mantenimiento seguro de su producto. Léalo atentamente antes de usar el producto. Mantenga este manual a mano para poder consultarlo en cualquier momento.

NÚMERO DE SERIE _____	FECHA DE COMPRA _____
DEBE ANOTAR EL NÚMERO DE SERIE Y LA FECHA DE COMPRA Y CONSERVARLOS EN UN LUGAR SEGURO PARA CONSULTARLOS EN EL FUTURO.	

ESPECIFICACIONES

Voltaje	56V 
Peso	5,82 lb (2,64 kg)
Recommended Operating Temperature	5°F-104°F(-15°C-40°C)
Recommended Storage Temperature	-4°F-158°F(-20°C-70°C)

Accesorio recomendado

NOMBRE DE LA PIEZA	NÚMERO DE MODELO
Mango de asistencia delantera de ajuste rápido	AQH1500

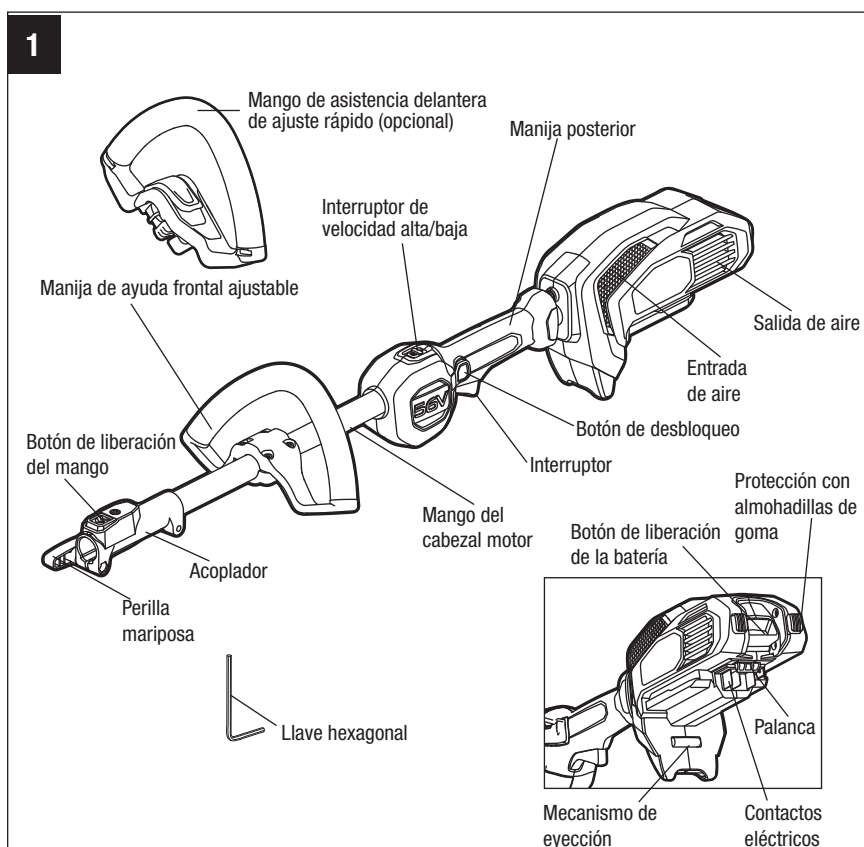
LISTA DE EMPAQUE

NOMBRE DE LA PIEZA	CANTIDAD
Cabezal motor	1
Manija de ayuda frontal ajustable	1
Llave hexagonal	1
Manual del usuario	1

DESCRIPCIÓN

CONOZCA EL CABEZAL MOTOR (Fig. 1)

El uso seguro de este producto requiere que se comprenda la información que figura en la herramienta y en este manual del usuario, además del conocimiento del proyecto que desea llevar a cabo. Antes de usar este producto, familiarícese con todas las características operativas y reglas de seguridad.



MANIJA DE AYUDA FRONTAL AJUSTABLE

Se ajusta para facilitar la operación y para ayudar a evitar la pérdida de control.

MANIJA POSTERIOR

Manija ergonómica que mejora la comodidad y el agarre.

BOTÓN DE DESBLOQUEO

Ayuda a evitar la activación accidental o no autorizada del interruptor. Se debe presionar antes de que se pueda activar el interruptor.

INTERRUPTOR DE VELOCIDAD VARIABLE

Para encender y apagar la herramienta y controlar la velocidad.

INTERRUPTOR DE VELOCIDAD ALTA/BAJA

Permite aumentar o disminuir la velocidad para diferentes tareas según sea necesario.

ACOPLADOR

Ayuda en la conexión rápida de los ejes del accesorio.

BOTÓN DE LIBERACIÓN DEL MANGO

Para liberar el mango del accesorio.

PERILLA MARIPOSA

Aprieta el acoplador y la conexión del mango del accesorio.

BOTÓN DE LIBERACIÓN DE LA BATERÍA

Libera el paquete de baterías de la herramienta.

PALANCA

Bloquea el paquete de baterías cuando se instala en la herramienta.

MECANISMO DE EYECCIÓN

Ayuda en la extracción de la batería.

ALMOHADILLA DE GOMA

Ayuda a proteger de la carcasa de los impactos durante el uso.

ENSAMBLAJE

⚠ ADVERTENCIA: Si faltan piezas o estas están dañadas, no opere este producto hasta reemplazar dichas piezas. El uso de este producto con piezas dañadas o faltantes podría provocar lesiones graves.

⚠ ADVERTENCIA: No intente modificar este producto ni crear accesorios que no estén recomendados para usar con esta sierra de pértiga. Cualquier alteración o modificación de ese tipo representa un mal uso y puede generar condiciones peligrosas que causen posibles lesiones personales graves.

⚠ ADVERTENCIA: Siempre retire el paquete de baterías del producto cuando ensamble piezas, realice ajustes o limpie el producto, o cuando el producto no esté en uso.

DESEMBALAJE

- Este producto requiere ensamble.
- Retire con cuidado el producto y cualquier accesorio de la caja. Asegúrese de que todos los elementos que aparecen en la lista de empaque estén incluidos.

⚠ ADVERTENCIA: No use este producto si cualquiera de las piezas de la lista de empaque ya está ensamblada al producto cuando lo desembale. El fabricante no ensambla las piezas de esta lista al producto y se requiere que el cliente lo haga. El uso de un producto que se haya ensamblado de manera incorrecta podría provocar lesiones personales graves.

- Inspeccione la herramienta con cuidado para asegurarse de que no se hayan roto o dañado piezas durante el envío.
- No deseche el embalaje hasta que no haya inspeccionado cuidadosamente la herramienta y sepa que funciona correctamente.
- Si hay alguna pieza dañada o faltante, devuelva el producto al lugar donde lo compró.

CÓMO INSTALAR UN ACCESORIO EN EL CABEZAL MOTOR

⚠ ADVERTENCIA: Lea y comprenda el Manual del usuario completo de cada accesorio opcional que utilice en este cabezal y siga todas las advertencias e instrucciones. No seguir todas las instrucciones podría resultar en descargas eléctricas, incendios o lesiones personales graves.

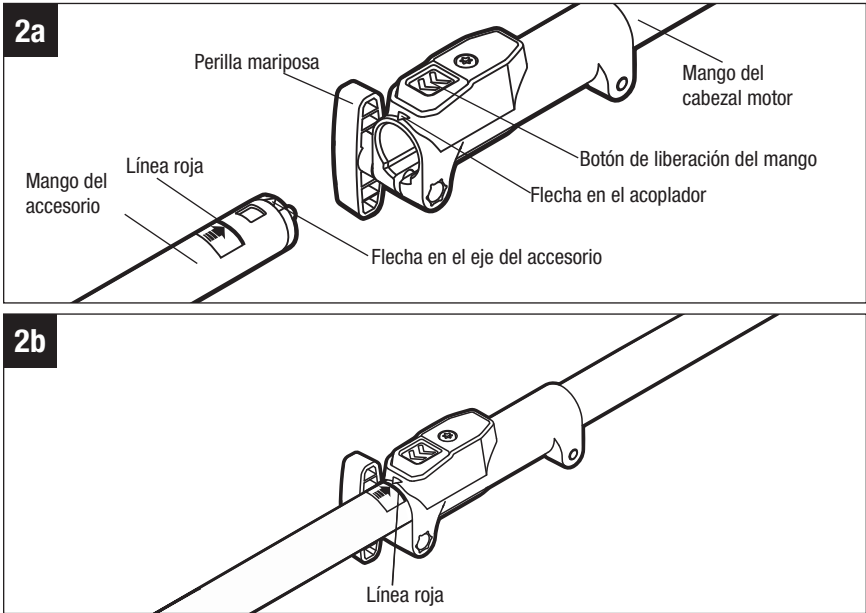
⚠ ADVERTENCIA: Este cabezal motor PH1400/PH1400-FC de 56 v está diseñado para usarse solo con los modelos de accesorios de EGO que se especifican en este Manual del usuario o que EGO lance con posterioridad para utilizar con este cabezal motor. El uso de accesorios no autorizados puede causar lesiones personales graves o daños a la propiedad.

⚠ ADVERTENCIA: Algunos accesorios tienen requisitos específicos relacionados con la seguridad. Siempre preste especial atención a las instrucciones en el manual que acompaña a cada accesorio.

⚠ ADVERTENCIA: Nunca instale, retire ni ajuste ningún accesorio mientras el cabezal motor está en funcionamiento o con la batería instalada. El no detener el motor y retirar la batería puede causar lesiones personales graves. **NUNCA HAGA FUNCIONAR EL CABEZAL MOTOR SIN UN ACCESORIO.**

El accesorio se conecta al cabezal motor mediante un dispositivo acoplador.

1. Detenga el motor y retire el paquete de baterías.
2. Afloje la perilla mariposa.
3. Retire la tapa de extremo del accesorio y colóquela en un lugar seguro para utilizarla posteriormente. Alinee la flecha en el vástago con la flecha en el acoplador (Fig. 6a) y presione el vástago de en el acoplador hasta que escuche el sonido de un clic. El acoplador debe colocarse hasta la etiqueta con la LÍNEA ROJA en el vástago de manera que el vástago esté colocado en su lugar (Fig. 6b).



4. Extraiga el eje del acoplamiento para verificar que esté firmemente asegurado en el acoplador. De no ser así, rote el mango del accesorio de un lado a otro en el acoplador hasta que encaje en su lugar.
5. Apriete firmemente la perilla mariposa.

⚠ ADVERTENCIA: Asegúrese de que la perilla mariposa esté bien apretada antes de operar el equipo; inspecciónelo periódicamente para comprobar que esté ajustada durante el uso para evitar lesiones personales graves.

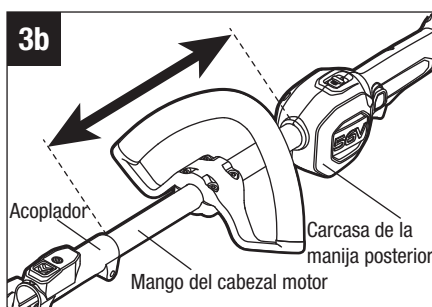
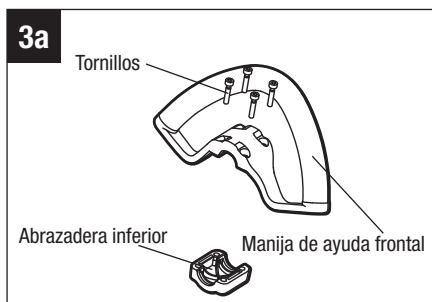
CÓMO RETIRAR EL ACCESORIO DEL CABEZAL MOTOR

1. Detenga el motor y retire el paquete de baterías.
2. Afloje la perilla mariposa.
3. Presione el botón de liberación del eje y, con el botón pulsado, jale y gire el eje del acoplamiento para quitarlo del acoplador.

CÓMO MONTAR Y AJUSTAR LA MANIJA DE AYUDA FRONTAL

⚠ ADVERTENCIA: Siempre retire el paquete de baterías del producto cuando ensamble las piezas, realice ajustes, limpie el producto o cuando este no esté en uso.

1. Detenga el motor y retire el paquete de baterías (si está instalado).
2. Retire los cuatro tornillos y la abrazadera inferior de la manija de ayuda frontal con la llave hexagonal incluida (Fig. 3a).
3. Fije la manija de ayuda frontal y la abrazadera inferior en el mango del cabezal motor y asegúrelas apretando un poco los cuatro tornillos. Gire la manija de ayuda frontal hacia arriba para que apunte hacia la parte superior de la manija posterior (Fig. 3b).

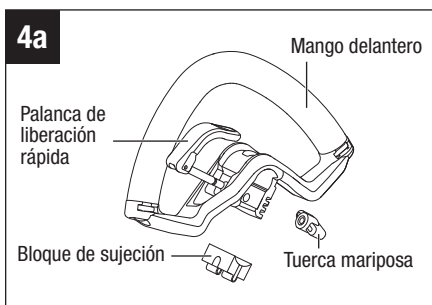


4. Ajuste la posición de la manija de ayuda frontal entre la carcasa de la manija posterior y el acoplador en el mango del cabezal motor (Fig. 3b).
5. Apriete los cuatro tornillos de manera que la manija no pueda girar sobre el eje.

⚠ ADVERTENCIA: Nunca opere la herramienta si la manija de ayuda frontal no está bien colocada en su lugar.

NOTA: El mango de asistencia delantera de ajuste rápido opcional (número de modelo AQH1500) se puede utilizar en lugar del mango de asistencia delantera incluido en el kit. Siga las instrucciones que se indican a continuación para instalar el mango de asistencia delantera de ajuste rápido AQH1500:

1. Afloje la palanca del poste de fijación y la tuerca de mariposa y retírelas del mango en bucle (Fig. 4a).

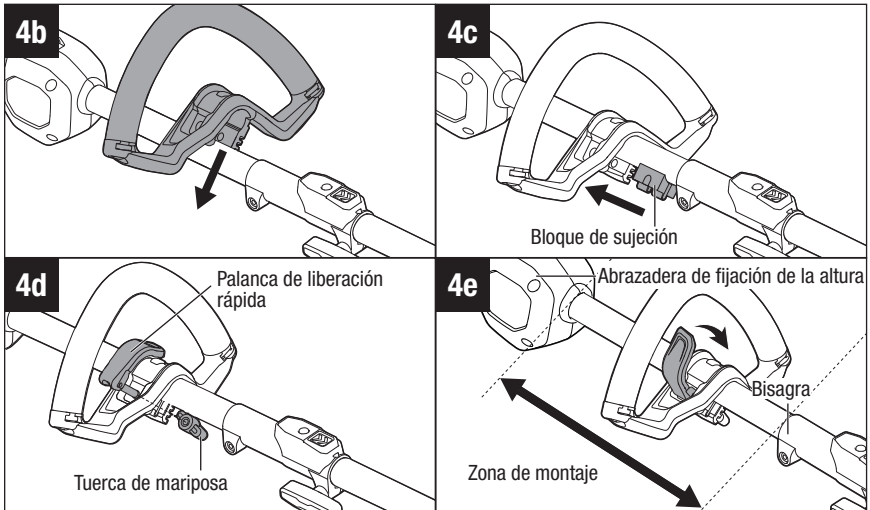


2. Presione el mango en bucle sobre el eje entre la carcasa de la manija posterior y el acoplador en el mango del cabezal motor. (Fig. 4b).
3. Inserte el bloque de sujeción en la ranura del mango (Fig. 4c).
4. Monte la palanca del poste de fijación y preapriete la tuerca de mariposa. Asegúrese de que el mango en bucle esté posicionado hacia arriba y que apunte hacia la parte superior del mango trasero (Fig. 4d).
5. Jale hacia arriba la palanca de liberación rápida para mover/rotar el mango delantero hasta una posición de utilización cómoda (Fig. 4e).

AVISO: El mango delantero se deberá posicionar sobre el eje solo dentro de la zona de montaje (Fig. 4e).

6. Acople la palanca de liberación rápida para fijar el mango delantero en la posición correcta.

⚠ ADVERTENCIA: La herramienta no se puede utilizar sin el mango en bucle firmemente instalado.



FUNCIONAMIENTO

⚠ ADVERTENCIA: No permita que la experiencia con este producto lo vuelva imprudente. Recuerde que un descuido de una fracción de segundo es suficiente para ocasionar lesiones graves.

⚠ ADVERTENCIA: Use siempre gafas protectoras o gafas de seguridad con blindaje lateral con marcas que indiquen que cumplen con la norma ANSI Z87.1. De lo contrario, podría provocar que se disparen objetos hacia sus ojos y otras posibles lesiones graves.

⚠ ADVERTENCIA: No use ningún aditamento o accesorio que no haya sido recomendado por el fabricante de este producto. El uso de aditamentos o accesorios diferentes a los recomendados podría provocar lesiones graves.

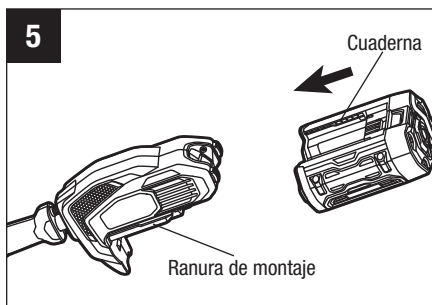
CÓMO INSTALAR O RETIRAR EL PAQUETE DE BATERÍA

⚠ ADVERTENCIA: Siempre retire el paquete de baterías del producto cuando ensamble piezas, realice ajustes o limpie el producto, o cuando no esté en uso. De esta manera, evitará el arranque accidental, el que podría provocar lesiones personales graves.

NOTA: Cargue completamente el paquete de baterías antes de usarlo por primera vez.

Instalación del paquete de baterías (Fig. 5)

1. Alinee las cuadernas del paquete de batería con las ranuras de montaje que se encuentran en el puerto de la batería del cabezal motor.
2. Presione el paquete de baterías hacia el cabezal motor hasta que calce en su posición.



NOTA: Asegúrese de que el pasador de la parte inferior del paquete de baterías encaje en su lugar y de que el paquete de baterías esté bien colocado en el cabezal motor antes de ponerlo en funcionamiento. Si no coloca de forma segura el paquete de baterías podría provocar que este se caiga, lo que puede provocar lesiones personales graves.

Extracción del paquete de baterías (Fig. 6)

⚠ ADVERTENCIA: Siempre esté atento a la ubicación de los pies y de la cercanía de niños o mascotas cuando presione el botón de liberación de la batería. Se podrían provocar lesiones graves si se cae el paquete de baterías. NUNCA retire el paquete de baterías cuando esté en un lugar alto.

1. Sostenga el paquete de baterías en la palma de su mano.
2. Presione el botón de liberación de la batería con el pulgar; el paquete de baterías se separará del pasador.
3. Tome el paquete de baterías y retírelo del cabezal motor.

⚠ ADVERTENCIA: Para evitar lesiones personales graves, siempre retire el paquete de baterías y mantenga las manos alejadas del botón de bloqueo y el interruptor al transportar la herramienta.

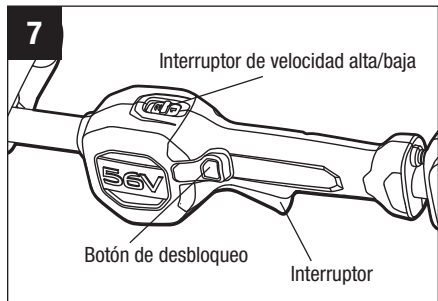
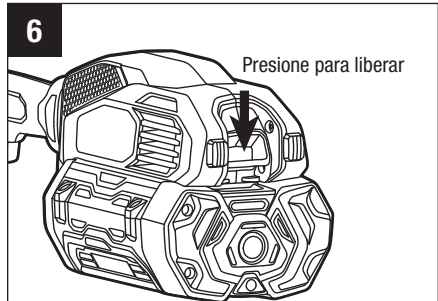
CÓMO ENCENDER Y APAGAR EL CABEZAL MOTOR (Fig. 7)

⚠ ADVERTENCIA: NUNCA OPERE EL CABEZAL MOTOR SIN UN ACCESORIO.

No intente encender el cabezal motor sin un accesorio.

Para encender el cabezal motor

1. Presione el botón de bloqueo y manténgalo en esa posición. Presione el interruptor para encender el cabezal motor. Suelte el botón de desbloqueo y continúe apretando el interruptor para que la máquina siga en funcionamiento.
2. La velocidad de rotación de la herramienta se controla con el interruptor de velocidad variable. Aplique más presión sobre el gatillo para aumentar la velocidad; aplique menos presión para disminuir la velocidad. Ajuste la velocidad según la tarea que deba realizar.



AVISO: El motor funcionará solo cuando el botón de bloqueo y el interruptor se encuentren presionados.

Función de ajuste de velocidad (Fig. 7)

El cabezal motor tiene dos velocidades. La posición “1” es para una velocidad baja, mientras que la posición “2” es para una velocidad alta. Presione o jale el interruptor de velocidad alta/baja para escoger la velocidad adecuada durante el funcionamiento.

Para detener el cabezal motor

Suelte el interruptor para detener el cabezal motor.

⚠ ADVERTENCIA: Retire siempre el paquete de baterías del cabezal motor durante los recesos del trabajo y después de terminarlo.

MANTENIMIENTO

⚠ ADVERTENCIA: Antes de inspeccionar, limpiar o realizar mantenimiento a la unidad, detenga el motor, espere a que todas las piezas móviles se detengan y retire el paquete de baterías. No seguir estas instrucciones puede provocar lesiones personales graves o daños a la propiedad.

⚠ ADVERTENCIA: Cuando realice el mantenimiento, solo use piezas de repuesto idénticas. El uso de otras piezas puede generar un peligro o dañar el producto.

AVISO: Antes de cada uso, inspeccione todo el producto en busca de piezas dañadas, faltantes o sueltas, como tornillos, tuercas, pernos, tapas, etc. Apriete bien todos los sujetadores y tapas y no opere este producto hasta que se hayan reemplazado todas las piezas faltantes o dañadas. Póngase en contacto con Servicio al cliente o con un centro de servicio calificado para obtener ayuda.

MANTENIMIENTO GENERAL

Evite el uso de solventes para limpiar las piezas de plástico. La mayoría de los plásticos son susceptibles a diferentes tipos de solventes comerciales y pueden resultar dañados por el uso de dichos solventes. Utilice paños limpios para eliminar la suciedad, el polvo, el aceite, la grasa, etc.

⚠ ADVERTENCIA: No permita en ningún momento que las piezas plásticas entren en contacto con líquidos de freno, gasolina, productos a base de petróleo, aceites penetrantes, etc. Los productos químicos pueden dañar, debilitar o destruir el plástico, lo que puede resultar en lesiones graves.

CÓMO LIMPIAR EL CABEZAL MOTOR

1. Detenga el motor y retire el paquete de baterías.
2. Limpie la suciedad y los desechos del cabezal con un paño humedecido con un detergente suave.

AVISO: No use detergentes fuertes en la carcasa de plástico o la manija. Pueden dañarse con ciertos aceites aromáticos, como pino y limón y con solventes como el queroseno.

CÓMO GUARDAR EL CABEZAL MOTOR

1. Retire el paquete de baterías del cabezal motor antes de guardarlo.
2. Limpie todo el material extraño del cabezal motor.
3. Guárdelo en interiores, en un lugar que no sea accesible para los niños.
4. Manténgalo alejada de los agentes corrosivos, como productos químicos para jardín y sales para derretir hielo.

SOLUCIÓN DE PROBLEMAS

Consulte el manual del usuario aplicable del accesorio.

GARANTÍA LIMITADA DE EGO

TÉRMINOS Y DURACIÓN DE LA PÓLIZA DE GARANTÍA

Chervon North America, Inc. (“Chervon North America”), proporciona la siguiente Garantía Limitada para los productos EGO al comprador original de productos EGO.

El período de garantía detallado de cada producto EGO se puede encontrar en línea en <http://egopowerplus.com/warranty-policy>.

Sírvase contactar a Servicio al Cliente de EGO llamando gratis al 1-855-EGO-5656 en cualquier momento en que tenga preguntas o reclamos de garantía, o si desea obtener una copia impresa de la garantía.

GARANTÍA LIMITADA DE SERVICIO

Los productos EGO están garantizados contra defectos de material o de fabricación a partir de la fecha de compra minorista original durante el período de garantía aplicable. Para cualquier reclamo de garantía presentado de manera adecuada y oportuna, si Chervon North America determina que un producto presenta algún defecto durante el período de garantía, dicho producto recibirá una reparación o un remplazo gratuitos, según lo determine Chervon North America.

CÓMO OBTENER SERVICIO

Para obtener servicio de garantía, dentro del período de garantía aplicable, sírvase contactar a servicio al cliente de EGO llamando gratis al **1-855-EGO-5656**. Cuando solicite servicio de garantía, deberá presentar el recibo de venta fechado original. Se seleccionará un centro de servicio autorizado para evaluar y reparar el producto si el mismo presenta algún defecto de acuerdo con los términos establecidos en la garantía. Cuando lleve su producto al centro de servicio autorizado, es posible que se requiera un pequeño depósito cuando deje allí su herramienta. Este depósito es reembolsable cuando se considere que el servicio de reparaciones esté cubierto bajo garantía.

LIMITACIONES Y EXCLUSIONES ADICIONALES

Esta garantía limitada se aplica solo al comprador original que realice la compra a un minorista EGO autorizado y no es transferible. Los productos EGO no serán considerados defectuosos, y esta garantía no se aplicará, en los casos en que el defecto por el que se presente el reclamo sea atribuible a cualquier causa que no

sean los defectos definidos anteriormente en este documento. Esta garantía quedará anulada si el producto se ha utilizado para fines de alquiler. Esta garantía no se aplicará a daños causados por accidente, abuso, uso incorrecto, alteración, modificación, reparación no autorizada, contacto con líquidos, incendio, terremoto u otra causa externa; utilización del producto sin seguir las instrucciones, especificaciones o pautas de EGO; o no hacer servicio de ajustes y reparaciones o no mantener adecuadamente el producto. Esta garantía tampoco se aplica a los daños cosméticos, incluyendo, pero sin limitarse a ello, rasguñaduras o abolladuras; defectos causados por el desgaste por el uso normal o defectos que de alguna otra manera se deban al envejecimiento normal del producto.

ESTA GARANTÍA EXPRESA SE DA EN LUGAR DE TODAS LAS DEMÁS GARANTÍAS, EXPRESAS O IMPLÍCITAS, INCLUYENDO, PERO SIN LIMITARSE A ELLO, TODAS LAS GARANTÍAS DE COMERCIABILIDAD O IDONEIDAD PARA UN PROPÓSITO O USO ESPECÍFICO, LAS CUALES QUEDAN EXCLUIDAS. Todas las garantías implícitas, incluyendo las garantías de comerciabilidad o idoneidad para un propósito específico, que no se puedan excluir bajo la ley estatal, están limitadas al período de garantía aplicable definido al comienzo de este artículo. El remedio único y exclusivo en conexión con la compra, instalación, uso y/o rendimiento de los productos EGO es la reparación o el reemplazo del producto tal y como lo determine Chervon North America. La responsabilidad máxima de North America no excederá en ningún caso el precio de compra pagado por el producto. CHERVON NORTH AMERICA NO SERÁ RESPONSABLE ANTE EL USUARIO NI ANTE NADIE MÁS POR DAÑOS EMERGENTES, INCIDENTALES, ESPECIALES, EJEMPLARES, INDIRECTOS O PUNITIVOS QUE SURJAN DEL USO DE LOS PRODUCTOS, INCLUYENDO, PERO SIN LIMITARSE A ELLO, LESIONES CORPORALES, MUERTE, DAÑOS MATERIALES, GANANCIAS PERDIDAS U OTROS PERJUICIOS ECONÓMICOS. Esta garantía le confiere a usted derechos legales específicos y es posible que usted tenga también otros derechos que varían de un estado a otro. Algunos estados no permiten limitaciones en cuanto a la duración de una garantía implícita, la exclusión o limitación de los daños incidentales o emergentes, o las limitaciones al tiempo para emprender ciertas acciones legales, por lo que las limitaciones contenidas en el presente documento no se aplican a los consumidores individuales de esos estados.

Esta garantía está sujeta a la ley de Michigan y se interpretará de acuerdo con dicha ley, con independencia de los principios sobre conflictos de leyes. No se emprenderá ninguna acción legal contra Chervon North America a menos que se presente dentro del plazo de un (1) año después de que se tenga conocimiento de la base de dicha acción legal o de la cual se debiera haber tenido conocimiento con el ejercicio de una



diligencia razonable. Se considerará que se ha renunciado a cualquier acción legal que no se presente oportunamente.

Para obtener servicio al cliente, contáctenos llamando gratis al **1-855-EGO-5656** o en **EGOPOWERPLUS.COM**.

EGO Customer Service,
769 Seward Ave. NW, Suite 102,
Grand Rapids, Michigan 49504.

