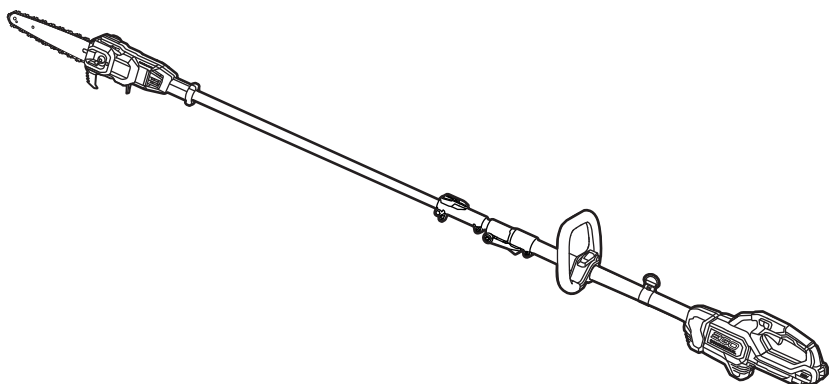


EGO™

COMMERCIAL



**FILL OIL TANK WITH BAR AND
CHAIN OIL BEFORE FIRST USE**

OPERATOR'S MANUAL

56-VOLT LITHIUM-ION COMMERCIAL POLE SAW

Français p. 43

Español p. 91

MODEL NUMBER PSX2510/PSX2510-FC

⚠ WARNING: To reduce the risk of injury, the user must read and understand the Operator's Manual before using this product. Save these instructions for future reference.



TABLE OF CONTENTS

Safety Symbols	4
Safety Instructions	5-10
Introduction	11
Specifications	12
Recommended Accessories	12
Description	13-15
Assembly	16-23
Operation	24-30
Maintenance	31-38
Troubleshooting	39-40
Warranty	41-42

READ ALL INSTRUCTIONS!



READ & UNDERSTAND
OPERATOR'S MANUAL

⚠ WARNING: Some dust created by power sanding, sawing, grinding, drilling and other construction activities contains chemicals known to the State of California to cause cancer, birth defects or other reproductive harm. Some examples of these chemicals are:

- Lead from lead-based paints.
- Crystalline silica from bricks, cement, and other masonry products.
- Arsenic and chromium from chemically-treated lumber.

Your risk from these exposures varies, depending upon how often you do this type of work. To reduce your exposure to these chemicals:

- Work in a well-ventilated area.
- Work with approved safety equipment, such as dust masks that are specially designed to filter out microscopic particles.
- Avoid prolonged contact with dust from power sanding, sawing, grinding, drilling, and other construction activities. Wear protective clothing and wash exposed areas with soap and water. Allowing dust to get into your mouth or eyes or to lie on the skin may promote absorption of harmful chemicals.

SAFETY SYMBOLS

The purpose of safety symbols is to attract your attention to possible dangers. The safety symbols and the explanations with them deserve your careful attention and understanding. The symbol warnings do not, by themselves, eliminate any danger. The instructions and warnings they give are no substitutes for proper accident prevention measures.

⚠ WARNING: Be sure to read and understand all safety instructions in this Operator's Manual, including all safety alert symbols such as "**DANGER**", "**WARNING**", and "**CAUTION**" before using this tool. Failure to follow all instructions listed below may result in electric shock, fire, and/or serious personal injury.

SYMBOL MEANING

⚠ SAFETY ALERT SYMBOL: Indicates **DANGER**, **WARNING**, or **CAUTION**. May be used in conjunction with other symbols or pictographs.





⚠ WARNING: The operation of any machines can result in foreign objects being thrown into your eyes, which can result in severe eye damage. Before beginning machine operation, always wear safety goggles or safety glasses with side shields and a full face shield when needed. We recommend a Wide Vision Safety Mask for use over eyeglasses or standard safety glasses with side shields. Always use eye protection which is marked to comply with ANSI Z87.1.

SAFETY INSTRUCTIONS

This page depicts and describes safety symbols that may appear on this product. Read, understand, and follow all instructions on the machine before attempting to assemble and operate.

	Safety Alert	Indicates a potential personal injury hazard.
	Read & Understand Operator's Manual	To reduce the risk of injury, user must read and understand the operator's manual before using this product.
	Wear Eye Protection	Always wear safety goggles or safety glasses with side shields and a full face shield when operating this product.
	Wear Ear Protection	Pole saw noise may damage your hearing. Always wear sound barriers (ear plugs or ear muffers) to protect your hearing.
	Wear Head Protection	Wear an approved safety hard hat to protect your head.
	Wear Protective Gloves	Protect your hands with gloves when handling saw and saw chain. Heavy-duty, nonslip gloves improve your grip and protect your hands.
	Wear Safety Footwear	Wear non-slip safety footwear when using this equipment.
	Keep sufficient distance away from electrical power lines	To prevent electrocution, do not operate within 50 ft. (15m) of overhead electrical lines. Contact with or use near power lines may cause serious injury or electric shock resulting in death.

	Recycle Symbol	This product uses lithium-ion (Li-ion) batteries. Local, state, or federal laws may prohibit disposal of batteries in ordinary trash. Consult your local waste authority for information regarding available recycling and/or disposal options.
IPX5	Ingress Protection (IP) Rating	Classifies the degree of protection provided by an enclosure, for electrical equipment.
V	Volt	Voltage
mm	Millimeter	Length or size
in	Inch	Length or size
m	Meter	Length or size
ft	Foot	Length or size
fl. oz.	Liquid Ounce	Liquid Volume
ml	Milliliter	Liquid Volume
kg	Kilogram	Weight
lb	Pound	Weight
°C	Degrees Celsius	Temperature
°F	Degrees Fahrenheit	Temperature
	Direct Current (DC)	Type or a characteristic of current

IMPORTANT SAFETY INSTRUCTIONS

⚠ WARNING: When using electric gardening machines, basic safety precautions should always be followed to reduce the risk of fire, electric shock, and personal injury, including the following:

READ ALL INSTRUCTIONS

⚠ DANGER: Do not operate near electrical power lines. The unit has not been designed to provide protection from electric shock in the event of contact with overhead electric lines. Consult local regulations for safe distances from overhead electric power lines and ensure that the operating position is safe and secure before operating the pole saw.

⚠ CAUTION: Wear appropriate personal hearing protection during use. Under some conditions and durations of use, noise from this product may contribute to hearing loss.

- **Avoid dangerous environment** - Don't use machines in damp or wet locations.
- **Keep children away** - All visitors should be kept at a distance away from work area.
- **Dress properly** - Do not wear loose clothing or jewelry. They can be caught in moving parts. Use of rubber gloves and substantial footwear is recommended when working outdoors. Wear protective hair covering to contain long hair.
- **Use safety glasses. Always use face or dust mask if operation is dusty.**
- **Use right machine** - Do not use machine for any job except that for which it is intended.
- **Do not grasp the exposed cutting blades or cutting edges when picking up or holding the machine.**
- **Do not force machine** - It will do the job better and with less likelihood of a risk of injury at the rate for which it was designed.
- **Do not overreach** - Keep proper footing and balance at all times.
- **Stay alert** - Watch what you are doing. Use common sense. Do not operate machine when you are tired.
- **Keep all parts of the body away from the saw chain.** Do not remove cut material or hold material to be cut when blades are moving. Make sure the switch is off when clearing jammed material. Saw chain continues to move after the switch is turned off. A moment of inattention while operating the pole saw may result in serious personal injury.

- **Carry the pole saw by the handle with the saw chain stopped.** When transporting or storing the pole saw, always fit the chain sheath. Proper handling of the pole saw will reduce possible personal injury from the saw chain.
- **Hold the pole saw by insulated gripping surfaces only, because the saw chain may contact hidden wiring.** A saw chain contacting a “live” wire may make exposed metal parts of the pole saw “live” and could give the operator an electric shock.
- **Do not use the pole saw in bad weather conditions, especially when there is a risk of lightning.** This decreases the risk of being struck by lightning.
- **To reduce the risk of electrocution, never use near any electrical power lines.** Contact with or use near power lines may cause serious injury or electric shock resulting in death.
- **Always use two hands when operating the pole saw. Hold the pole saw with both hands to avoid loss of control.**
- **Always use head protection when operating the pole saw overhead.** Falling debris can result in serious personal injury.
- **Store idle machines indoors** - When not in use, machines should be stored indoors in a dry and high or locked-up place with the battery pack removed and out of reach of children.
- **Maintain machine with care** - Keep cutting edge sharp and clean for best performance and to reduce the risk of injury. Follow instructions for lubricating and changing accessories. Keep handles dry, clean, and free from oil and grease.
- **Check damaged parts** - Before further use of the product, a guard or other part that is damaged should be carefully checked to determine that it will operate properly and perform its intended function. Check for alignment of moving parts, binding of moving parts, breakage of parts, mounting, and any other condition that may affect its operation. A guard or other part that is damaged should be properly repaired or replaced by an authorized service center unless indicated elsewhere in this manual.
- **Do not charge the battery pack in rain, or in wet locations.**
- **Prevent unintentional starting. Ensure the switch is in the off-position before connecting to battery pack, picking up or carrying the machine.** Carrying the machine with your finger on the switch or energizing machine that has the switch on invites accidents.

- **Disconnect the battery pack from the machine before making any adjustments, changing accessories, or storing machine.** Such preventive safety measures reduce the risk of starting the machine accidentally.
- **Do not modify or attempt to repair the machine or the battery pack (as applicable) except as indicated in the instructions for use and care.**
- **Do not use a battery pack or machine that is damaged or modified.** Damaged or modified batteries may exhibit unpredictable behavior resulting in fire, explosion or risk of injury.
- **Use machines only with specifically designated battery packs.** Use of any other battery packs may create a risk of injury and fire.
- **Have servicing performed by a qualified repair person using only identical replacement parts.** This will ensure that the safety of the product is maintained.
- **Use only with the battery packs and chargers listed below:**

BATTERY PACK	CHARGER
BA1400, BA1400-FC, BA2800, BA2800-FC, BA4200, BA4200-FC, BA1400T, BA1400T-FC, BA2242T, BA2242T-FC, BA2800T, BA2800T-FC, BA3360T, BA3360T-FC, BA4200T, BA4200T-FC, BA5600T, BA5600T-FC, BA6720T, BA6720T-FC	CH2100, CH2100-FC, CH3200, CH3200-FC, CH5500, CH5500-FC, CH2800D, CH2800D-FC, CH7000, CH7000-FC

- **Do not dispose of the battery in a fire.** The cells may explode. Check with local codes for possible special disposal instructions
- **Do not open or mutilate the battery.** Released electrolyte is corrosive and may cause damage to the eyes or skin. It may be toxic if swallowed.

⚠ CAUTION: The electrolyte is a dilute sulfuric acid that is harmful to the skin and eyes. It is electrically conductive and corrosive.

- **Exercise care in handling batteries in order not to short the battery with conducting materials such as rings, bracelets, and keys.** The battery or conductor may overheat and cause burns.
- **Replacement Parts** - When servicing, use only identical EGO replacement parts. Use of any other accessory or attachment may increase the risk of injury.

- **Battery machines do not have to be plugged into an electrical outlet; therefore, they are always in operating condition.** Be aware of possible hazards even when the machine is not operating. Take care when performing maintenance or service.
- **Remove or disconnect the battery pack before servicing, cleaning or removing material from the product.**
- **Do not wash with a hose; avoid getting water in motor and electrical connections.**
- **Do not incinerate the machine even if it is severely damaged.** The batteries can explode in a fire.
- **Do not expose a battery pack or machine to fire or excessive temperature.** Exposure to fire or temperature above 212 °F (100 °C) may cause explosion.
- **If situations occur that are not covered in this manual, use care and good judgment. Contact the EGO Customer Service Center for assistance.**

SAVE THESE INSTRUCTIONS. Refer to them frequently and use them to instruct others who may use this product. If you lend this product to someone else, also lend these instructions to them to prevent misuse of the product and possibly injury.

INTRODUCTION

Congratulations on your selection of the EGO COMMERCIAL POLE SAW. It has been designed, engineered and manufactured to give you the best possible dependability and performance.


Should you experience any problem you cannot easily remedy, please contact EGO customer service center 1-855-EGO-5656.

This manual contains important information on to the safe assembly, operation and maintenance of your product. Read it carefully before using the product. Keep this manual handy so you can refer to it at any time.

SERIAL NUMBER _____ DATE OF PURCHASE _____

YOU SHOULD RECORD BOTH SERIAL NUMBER AND DATE OF PURCHASE AND KEEP THEM IN A SAFE PLACE FOR FUTURE REFERENCE

SPECIFICATIONS

Voltage	56 V 
Guide Bar Length	10" (250 mm)
Chain Pitch	1/4" (6.4 mm)
Chain Gauge	0.043" (1.1 mm)
Oil Tank Capacity	2.7 fl.oz. (80 ml)
Number of Drive Links	56
Machine Length (without extension pole)	Min. 7.6 ft (2.33 m)
	Max. 9.6 ft (2.92 m)
Machine Length (with 1 extension pole)	Min. 10.9 ft (3.33 m)
	Max. 12.9 ft (3.92 m)
Machine Length (with 2 extension poles at most)	Min. 14.2 ft (4.33 m)
	Max. 16.2 ft (4.92 m)
Recommended Operating Temperature	5°F – 104°F (-15°C – 40°C)
Recommended Storage Temperature	-4°F – 158°F (-20°C – 70°C)
Weight (without battery pack and chain sheath)	9.5 lb (4.3 kg)
Ingress Protection (IP) Rating	IPX5* (Protection against water jets).

* **NOTE:** IPX5 rating is based on the machine and battery being used together as a system.

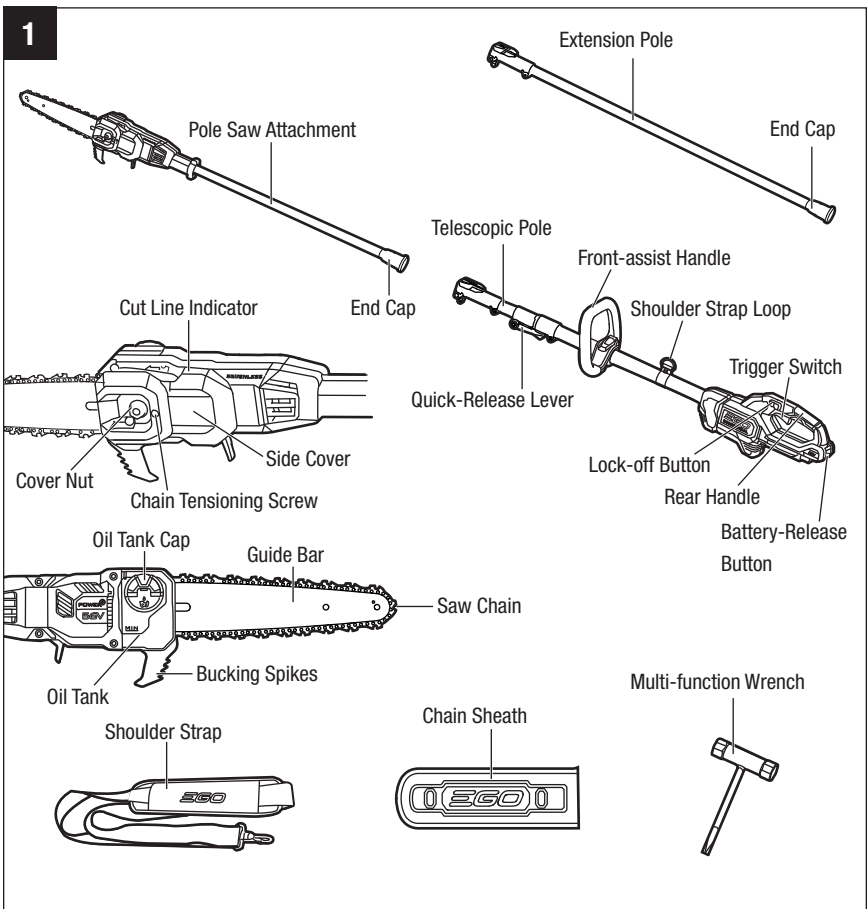
RECOMMENDED ACCESSORIES

PART NAME	MODEL NUMBER
Guide Bar	AG1000Q
Saw Chain	AC1000Q
Extension Pole	EP1000
Shoulder Strap	AP1500

DESCRIPTION

KNOW YOUR POLE SAW (Fig. 1)

The safe use of this product requires an understanding of the information on the product and in this instruction manual, as well as knowledge of the project you are attempting. Before use of this product, familiarize yourself with all operating features and safety rules.



Trigger Switch

Turns the pole saw on and off.

Lock-off Button

Helps to prevent accidental and unauthorized activation of the trigger switch. It must be depressed before the trigger switch can be activated.

Telescopic Pole

An inner pole used to extend the length of the machine.

Quick-Release Lever

Locks and unlocks the telescopic pole.

Side Cover

Covers the chain sprocket and secures the guide bar.

Guide Bar

Supports and guides the saw chain.

Saw Chain

A loop of chain fitted with cutting teeth that cuts the wood when it is driven by the power head and supported by the guide bar.

Cover Nut

Keeps the side cover and guide bar assembly in place.

Chain Tensioning Screw

Permits precise adjustment of saw chain tension.

Cut Line Indicator

Indicates the position of the saw chain so that user can get the chain position when cutting branches high up and under shaded tree canopy.

Chain Sheath

The chain sheath prevents the operator from coming in contact with the sharp chain blades when the machine is not in use. It also helps keep the chain blades from being nicked or damaged when the machine is transported or stored.

Oil Tank

Semi-transparent tank housing stores the lubricant for the saw chain and allows user to see when to add lubricant.

Oil Tank Cap

Seals the oil tank.

Bucking Spikes

The pointed tooth or teeth for use when bucking to pivot the saw and maintain position while sawing.

Front-assist Handle

For easy control of the pole saw during cutting.

Rear Handle

Ergonomic handle improves comfort and grip.

Battery-release Button

Press to release the battery pack from the machine.

Shoulder Strap

A harness to be worn by the operator for support and balance during cutting operations.

Shoulder Strap Loop

For attaching the shoulder strap.

Extension Pole

Increases the machine length by 3.3 ft (1 m) to extend the cutting range.

End Cap

Protects the connection port of the pole saw attachment / extension pole from damage during transport separately.

ASSEMBLY

⚠ WARNING: If any parts are damaged or missing, do not operate this product until the parts are replaced. Use of this product with damaged or missing parts could result in serious personal injury.

⚠ WARNING: Do not attempt to modify this product or create accessories not recommended for use with this machine. Any such alteration or modification is misuse and could result in a hazardous condition leading to possible serious personal injury.

⚠ WARNING: To prevent accidental starting that could cause serious personal injury, always remove the battery pack(s) from the machine when assembling parts.

UNPACKING

This product requires assembly.

- Carefully remove the product and any accessories from the box. Make sure that all items listed in the “**PACKING LIST**” are included.
- Inspect the machine carefully to make sure no breakage or damage occurred during shipping.
- Do not discard the packing material until you have carefully inspected and satisfactorily operated the machine.
- If any parts are damaged or missing, please return the product to the place of purchase.

PACKING LIST

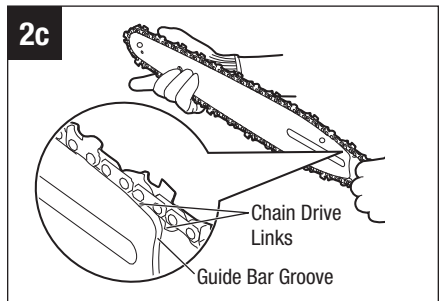
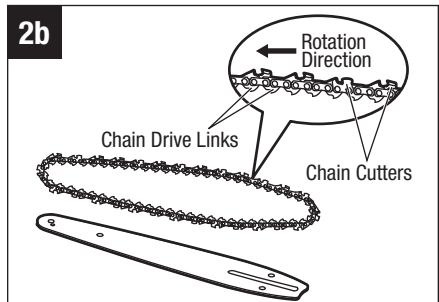
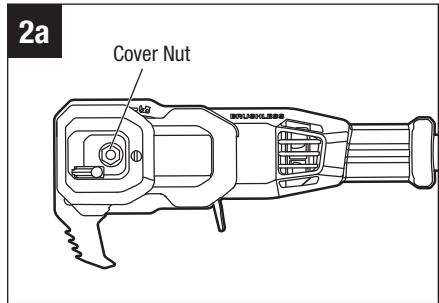
PART NAME	QUANTITY
Pole Saw Attachment	1
Power Head	1
Saw Chain	1
Guide Bar	1
Front-assist Handle	1
Chain Sheath	1
Shoulder Strap	1
Extension Pole	1
Multi-function Wrench	1
Operator's Manual	1

ASSEMBLING THE GUIDE BAR AND SAW CHAIN (Fig. 2)

⚠ WARNING: Wear safety gloves before any work on the chain.

⚠ WARNING: An incorrectly fitted saw chain will result in erratic cutting behavior of the tool. Fit the chain so that it rotates in the indicated direction of rotation.

1. Remove the battery pack.
2. Lay the pole saw on a firm, flat surface, so that the side cover is facing upwards.
3. Unscrew the cover nut using the included multi-function wrench, then lift the side cover (Fig. 2a).
4. Lay the new saw chain in a loop on a flat surface and straighten any kinks (Fig. 2b).
5. Place the chain drive links into the guide bar groove. Position the chain so there is a loop at the back of the guide bar (Fig. 2c).
6. Hold the chain in position on the guide bar and place the loop around the drive sprocket of the pole saw.



NOTICE: A small direction arrow and a cutter pictogram is engraved in the machine housing (Fig. 2d). When looping the saw chain onto the guide bar, make sure that, after mounting the guide bar, the direction of the saw chain will correspond to the rotation direction arrow on the machine housing and the shape of the cutters on the top of the guide bar are consistent with that of the cutter pictogram on the housing. If they face in opposite directions, reassemble the saw chain onto the guide bar with the arrows facing the same direction.

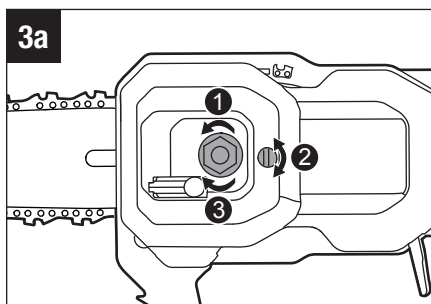
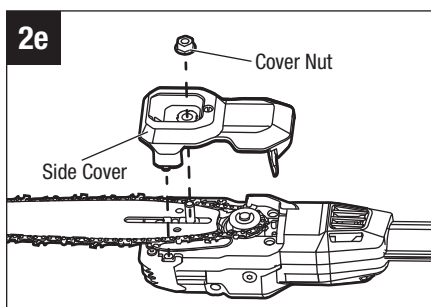
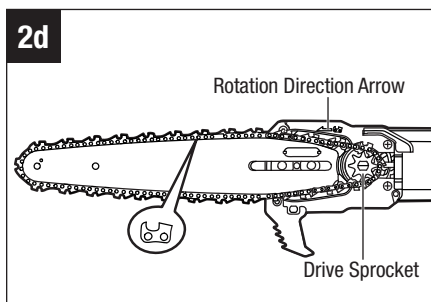
7. **Keep the bar and chain parallel to the mounting surface with one hand.** Attach the side cover to the housing so that the holes/pins and fastening bolt/thread hole are aligned with each other properly. Press the side cover towards the housing, then tighten the cover nut (Fig. 2e).

NOTE: If the chain is too loose or too tight, adjust the chain tension following instructions in section “**TENSIONING THE SAW CHAIN**”.

8. Rotate the chain by hand to check whether the chain is properly assembled without binding. Otherwise, reassemble the chain and bar.

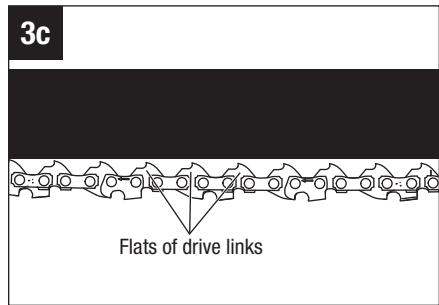
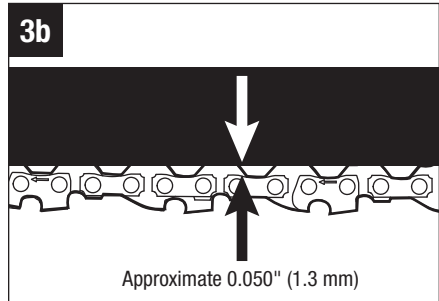
TENSIONING THE SAW CHAIN (Fig. 3)

1. Remove the battery pack.
2. Use the multi-function wrench to loosen the cover nut until the guide bar can be moved freely.
3. Use the multi-function wrench to turn the tensioning screw clockwise to tension the chain or counterclockwise to slacken it.
4. Manually rotate the chain to check for fault-free running.



5. Tighten the cover nut (Fig. 3a).

- During normal saw operation, the temperature of the chain will increase. The drive links of a correctly tensioned warm chain will hang approximately 0.050 in. (1.3 mm) out of the bar groove (Fig. 3b).
- A cold chain is correctly tensioned when there is no slack on the underside of the guide bar and the chain is snug, but it can be turned by hand without binding. The chain must be re-tensioned whenever the flats on the drive links do not sit in the bar groove (Fig. 3c).

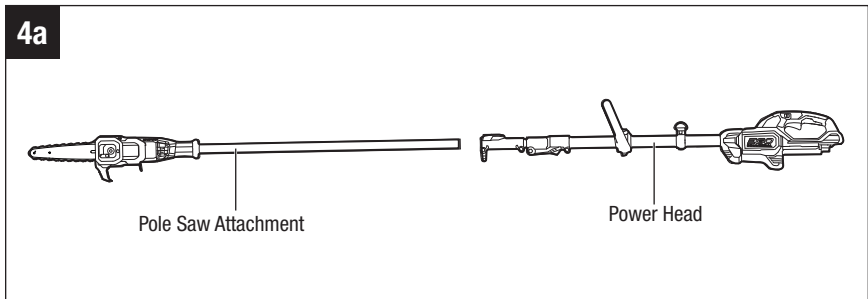


NOTICE: New chains tend to stretch, check chain tension frequently and adjust the tension as required.

NOTICE: A chain tensioned while it is warm may be too tight upon cooling. Check the cold tension before next use.

CONNECTING THE POLE SAW ATTACHMENT TO THE POWER HEAD (Fig. 4)

This pole saw works as a combination of the pole saw attachment and the power head (Fig. 4a).



⚠ WARNING: Never attach or adjust any attachment while the power head is running or with the battery pack installed. Failure to stop the motor and remove the battery pack may cause serious personal injury.

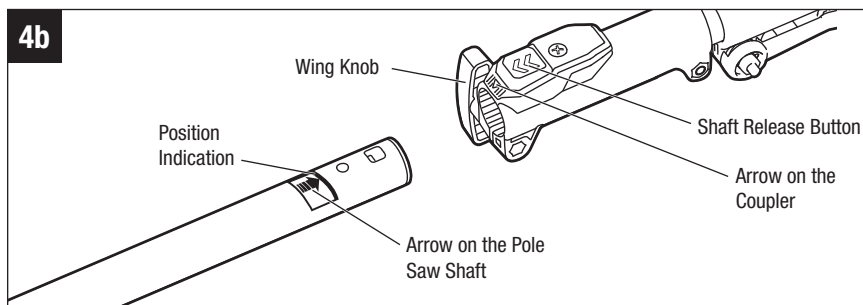
The pole saw attachment connects to the power head by means of a coupler device.

1. Stop the motor and remove the battery pack.
2. Loosen the wing knob on the power-head coupler.
3. Remove the end cap from the pole saw attachment and save it in a safe place for later use. Align the arrow on the pole saw shaft with the arrow on the coupler and push the pole saw shaft into the coupler until you hear a clear “click” sound which indicates the pole saw shaft is mounted into place. There is also a position indication on the pole saw shaft to assure proper installation (Fig. 4b).
4. Pull the shaft of the attachment to verify it is securely locked into the coupler. If not, rotate the pole saw shaft from side to side in the coupler until it snaps into place.
5. Tighten the wing knob securely.

⚠ WARNING: Be certain that the wing knob is fully tightened before operating the equipment; check it periodically for tightness during use to avoid serious personal injury.

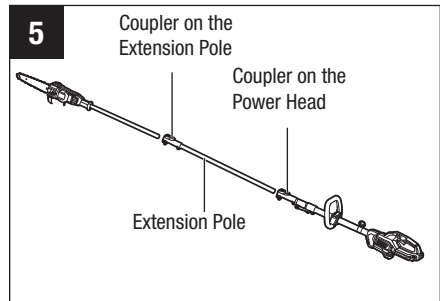
To remove the pole saw attachment from the power head:

1. Stop the motor and remove the battery pack.
2. Loosen the wing knob.
3. Press the shaft release button and, with the button depressed, pull or twist the pole saw shaft out of the coupler to separate it from the power head.



CONNECTING THE EXTENSION POLE BETWEEN THE POWER HEAD AND THE POLE SAW ATTACHMENT (Fig. 5)

⚠ WARNING: Never attach or adjust any attachment while the power head is running or with the battery pack installed. Failure to stop the motor and remove the battery pack may cause serious personal injury.



This extension pole is designed to only be used with EGO PS1000/PS1000-FC/PSX2510/PSX2510-FC. Never use it with other EGO attachments.

The extension pole increases the machine length by 3.3 ft (1 m), extending the cutting range. It should be connected between the pole saw attachment and the power head. **A maximum of two extension poles can be used on one machine.**

Follow the process in the section “**CONNECTING THE POLE SAW ATTACHMENT TO THE POWER HEAD**” to install the extension pole between the pole saw attachment and power head.

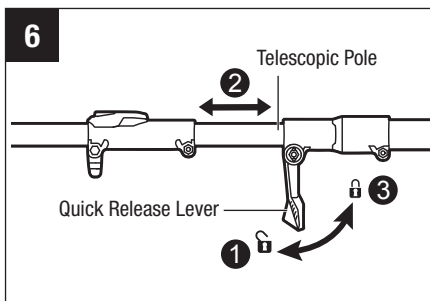
NOTICE: Once assembled correctly, the pole saw attachment, extension pole, and the power head should not separate when pulled. Always test the connection by pulling them. Repeat the steps above if the pieces can be separated during test.

⚠ DANGER: Failure to secure the attachment and power head/extension pole as instructed above could result in serious injury or death.

To remove the extension pole, follow the instructions in chapter “**To remove the pole saw attachment from the power head**” in the section “**CONNECTING THE POLE SAW ATTACHMENT TO THE POWER HEAD**”.

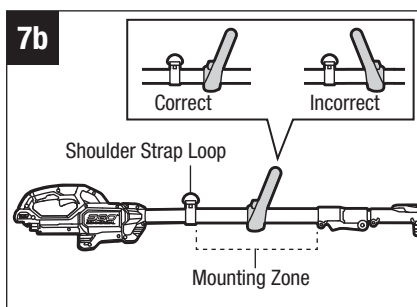
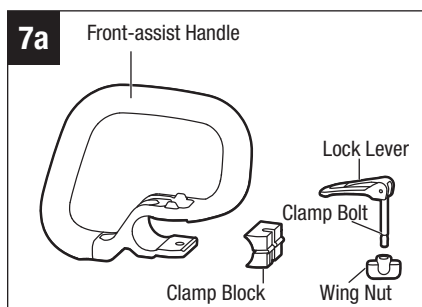
ADJUSTING THE TELESCOPIC POLE (Fig. 6)

1. Lift the quick release lever to unlock the telescopic pole.
2. Extend the telescopic pole to the desired length.
3. Press the quick release lever down to lock the telescopic pole securely.

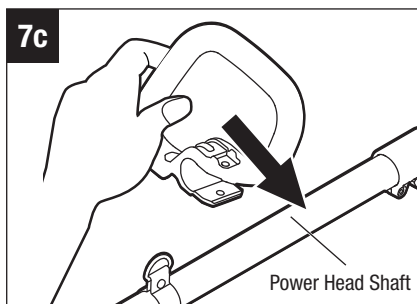


MOUNTING AND ADJUSTING THE FRONT-ASSIST HANDLE, IF REQUIRED (Fig. 7)

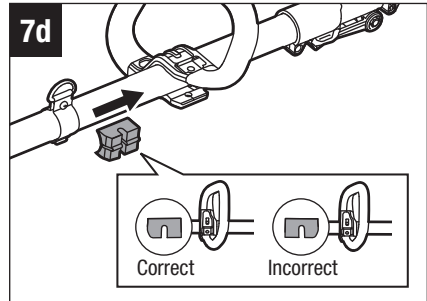
1. Stop the motor and remove the battery pack.
2. Loosen the wing nut and remove it along with the clamp bolt and lock lever from the front-assist handle (Fig. 7a).



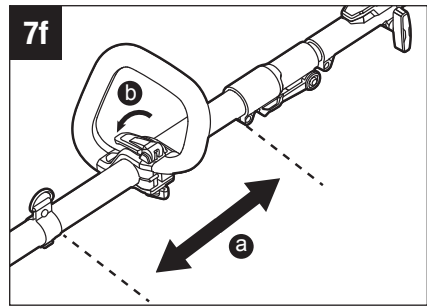
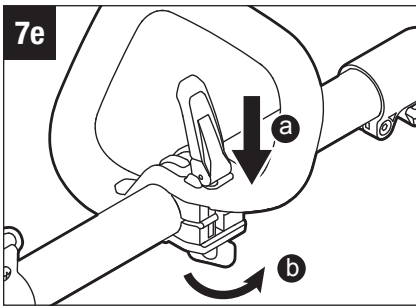
3. Position the slant of the assist handle forward towards the sawing end of the machine (Fig. 7b). Press the handle onto the power head shaft within the mounting zone between the shoulder strap loop and the telescopic pole sleeve (Fig. 7c).



4. Align the clamp block with the handle slot properly and then insert the clamp block (Fig. 7d).
5. Mount the lock lever but do not press the lock lever down, and then pre-tighten the wing nut (Fig. 7e).
6. Adjust the front-assist handle position within the mounting zone (Fig. 7f). The handle should be adjusted so that your arm is straight when using the pole saw.

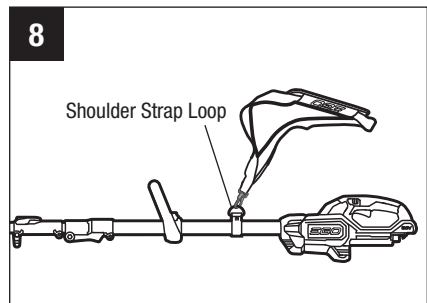


7. Press down the lock lever so that the front-assist handle is secured from rotation or moving along the power head shaft (Fig. 7f).



ATTACHING THE SHOULDER STRAP (Fig. 8)

For safe and comfortable operation, put on the shoulder strap across the shoulder to relieve the weight on the operator's arms. Depress the carabiner to open it and hook the carabiner onto the shoulder strap loop. Adjust the shoulder strap length to a comfortable operating position.



⚠ WARNING: When emergency occurs, take the strap off from your shoulder immediately to avoid injury.

OPERATION

⚠ WARNING: Never cut near power lines, electric cords, or other electric sources. If the bar and chain jams on any electrical cord or line, **DO NOT TOUCH THE BAR, CHAIN OR THE POLE! THEY CAN BECOME ELECTRICALLY LIVE AND MAY BE VERY DANGEROUS.** Continue to hold the pole saw by the insulated rear handle or lay it down and away from you in a safer manner. Disconnect the electrical service to the damaged line or cord before attempting to free the bar and chain from the line or cord. Contact with the bar, chain, other conductive parts of the pole saw, or live electric cords or lines will result in death by electrocution or serious injury.

⚠ WARNING: Do not allow familiarity with this product to make you careless. Remember that a careless fraction of a second is sufficient to inflict serious injury.

⚠ WARNING: Always wear safety goggles or safety glasses with side shields marked to comply with ANSI Z87.1. Failure to do so could result in objects being thrown into your eyes and other possible serious injuries.

⚠ WARNING: Always remove the battery pack from the product when you are assembling parts, making adjustments, cleaning, or when not in use. Removing the battery pack will prevent accidental starting that could cause serious personal injury.

⚠ WARNING: Do not use any attachments or accessories not recommended by the manufacturer of this product. The use of attachments or accessories not recommended can result in serious personal injury.

Before each use, inspect the entire product for damaged, missing, or loose parts such as screws, nuts, bolts, caps, etc. Tighten securely all fasteners and caps and do not operate this product until all missing or damaged parts are replaced.

APPLICATION

You may use this product for the purposes listed below:

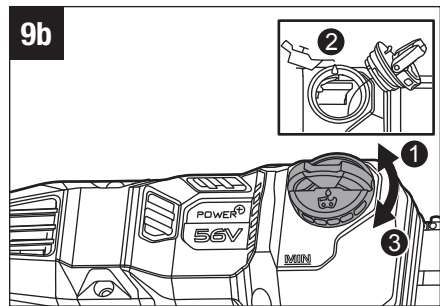
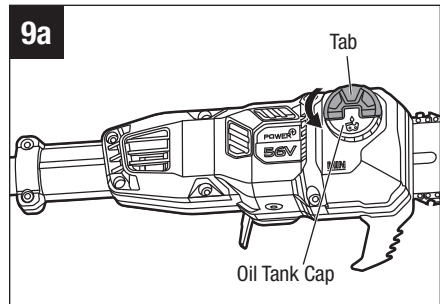
- Limbing
- Pruning

FILLING THE OIL TANK WITH BAR AND CHAIN LUBRICANT (Fig. 9)

⚠ WARNING: Do not smoke or bring any fire or flame near the oil or the pole saw. Oil may spill and cause a fire.

NOTICE: The pole saw is not filled with oil at the time of purchase. It is essential to fill the tank with chain oil before use. Operating the pole saw without chain oil or when the oil level is below the 'MIN' mark will result in damage to the pole saw. Chain life and cutting capacity depend on optimum lubrication. The chain is automatically lubricated with chain oil during operation, if there is sufficient oil in the reservoir. Oil level should also be checked after every 20 minutes of use and refilled as needed.

1. Remove the battery pack from the power head.
2. Clean the oil-tank cap and the area around it to ensure that no dirt falls into the oil tank.
3. Lay the pole saw on a firm, flat surface, so that the oil tank cap is facing upwards.
4. Lift the tab of the oil tank cap (Fig. 9a).
5. Use the tab to rotate the oil tank cap counterclockwise to remove it.
6. Carefully pour the bar and chain oil into the tank until it fills to the tank neck. Be careful not to let the oil spill from the opening. Wipe off any excess oil.
7. Install the oil tank knob and rotate the knob to tighten it (Fig. 9b).
8. Close the tab oil tank cap.



NOTICE:

- Use EGO authorized bar and chain lubricant (Model# AOL3200 or AOL1000) for best results. It is specially designed to provide low friction and faster cuts.

- Never use oil or other lubricants not specifically designed for use on the bar and chain. This can lead to a clogged oil system, which may cause premature wear of the bar and chain.
- Check the oil level frequently and refill as needed.
- Do not use dirty, used, or otherwise contaminated oil. Damage may occur to the bar or chain.
- It is normal for oil to seep from the saw when it is not in use. To prevent seepage, empty the oil tank after each use, and then run the saw for one minute. When storing the machine for a long period of time, be sure the chain is lightly lubricated; this will prevent rust on the chain and bar sprocket.
- To preserve natural resources, please recycle or dispose of oil properly. Consult your local waste authority for information regarding available recycling and disposal options.

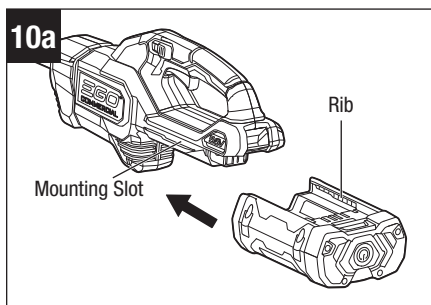
INSTALLING/REMOVING THE BATTERY PACK (Fig. 10)

NOTE: Fully charge the battery pack before first use.

To install battery pack (Fig. 10a)

1. Align the ribs of the battery pack with the mounting slots in the power head's battery port.
2. Slide the battery pack onto the power head until it snaps into position.

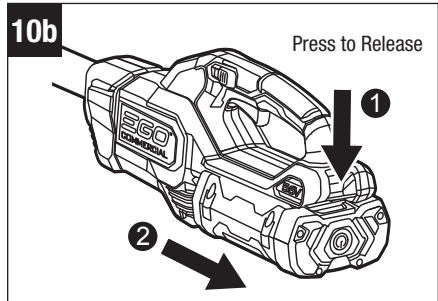
⚠ WARNING: Make sure that the latch on the power head snaps into place and the battery pack is secured to the power head before beginning operation. Failure to securely seat the battery pack could cause the battery pack to fall out, resulting in serious personal injury.



To remove battery pack (Fig. 10b)

⚠ WARNING: Always be aware of the location of your feet and children or pets around you when pressing the battery-release button. Serious injury could result if the battery pack falls. NEVER remove the battery pack at a high location.

1. Hold the battery pack in the palm of your hand.
2. Press the battery-release button with your thumb; the battery pack will disengage from the latch.
3. Grasp the battery pack and remove it from the power head.



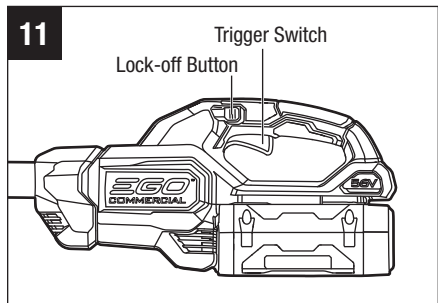
⚠ WARNING: To avoid serious personal injury, always remove the battery pack and keep hands clear of the lock-off button and trigger switch when carrying or transporting the machine.

STARTING/STOPPING THE MACHINE (Fig. 11)

⚠ WARNING: NEVER OPERATE THE POWER HEAD WITHOUT AN ATTACHMENT. Do not attempt to start the power head before connecting the pole saw attachment.

To start the pole saw

1. Install the battery pack.
2. Make sure that no objects or obstructions that could come in contact with the bar and chain are in the immediate proximity.
3. Grasp the front-assist handle and the rear handle firmly, using both hands.
4. Press and hold the lock-off button, then squeeze the trigger switch to start the saw. Release the lock-off button and continue to squeeze the trigger switch for continued operation.



⚠ WARNING: Do not attempt to start the saw when the saw chain is in a cut or in contact with any surface.

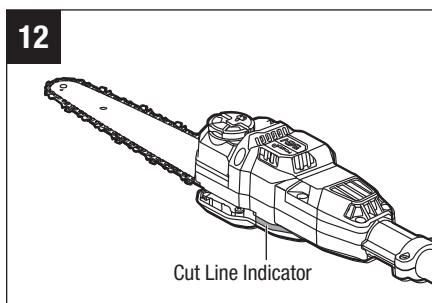
To stop the pole saw

Move the pole saw away from cutting area, and then release the trigger switch to stop the pole saw.

⚠ WARNING: Always remove the battery pack from the power head during work breaks and after finishing work.

CUT LINE INDICATOR (Fig. 12)

The cut line indicator is located at the front of the pole saw attachment, in line with the saw chain. The cut line indicator is designed to help the user understand exactly where the bar and chain are located relative to the branch/limb being cut.



WORKING WITH THE MACHINE (Fig. 13)

Preparation for cutting

1. Remove the battery pack.
2. Make sure that the chain is properly mounted and correctly tensioned.
3. Check the side cover to ensure that it is against the guide bar and saw chain without any looseness and damage.
4. Check the oil level and fill the tank as needed. Make sure the chain is well lubricated.
5. Check the sharpness of the cutting teeth of the saw chain.
6. Hold the pole saw with both hands: with the right hand on the rear handle and the left hand on the front-assist handle (Fig. 13a).

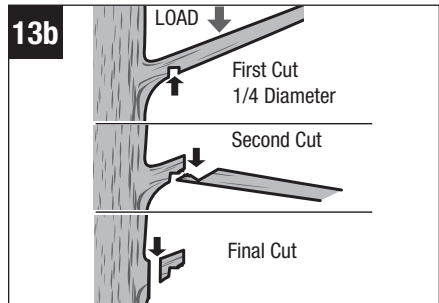


7. Make sure that you have a secure and balanced footing. Watch out for obstacles such as tree stumps, roots, and ditches, which could cause you to trip or stumble.
8. Make sure the saw chain is not touching the ground or any other objects.
9. Make sure that the object being cut does not exceed the usable cutting length of the pole saw. The tip of guide bar shall always be kept outside the outline of the wood log.

Basic cutting procedure

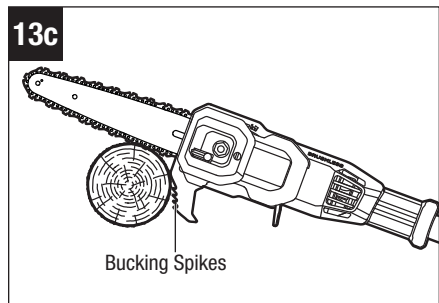
NOTE: Practice cutting a few small logs using the following technique to get the “feel” of using your saw before you begin a major sawing operation.

Follow the steps below to prevent damage to tree or shrub bark. Do not use a back-and-forth sawing motion (Fig. 13b).



1. Make a shallow first cut (1/4 of the limb diameter) on the underside of the limb, close to the main limb or trunk.
2. Make a second cut from the top side of the limb, outboard from the first cut. Continue the cut through the limb until the limb separates from the tree. Be prepared to balance the weight of the machine when the limb falls.
3. Make a final cut close to trunk.

NOTICE: For second and final cuts (from the top of the limb or branch), hold the bucking spikes against the limb being cut (Fig. 13c). This will help to steady the limb and make it easier to cut. Allow the chain to cut for you; only exert light downward pressure. If you force the cut, damage to the bar, chain, or motor can result.



4. Release the trigger switch as soon as the cut is completed.

NOTICE: Failure to follow proper cutting procedures will result in the bar and chain binding and becoming pinched or trapped in the limb. If this happens:

1. Stop the motor and remove the battery pack.
2. If the limb can be reached from the ground, lift the limb while holding the saw. This should release the “pinch” and free the saw.
3. If the saw is still trapped, call a professional for assistance.

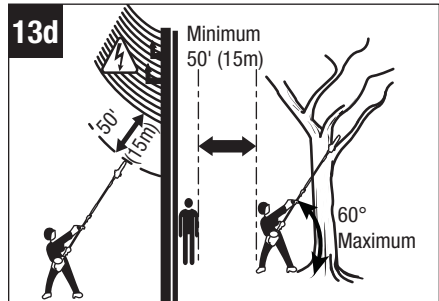
Limbing and pruning

This pole saw is designed for trimming small branches and limbs up to 8” (200mm) in diameter. For best results, observe the following precautions:

- Plan the cut carefully. Be aware of the direction in which the branch will fall.

⚠ WARNING: Branches may fall in unexpected directions. Do not stand directly under the branch being cut.

- The most typical cutting application is to position the unit at an angle of 60° or less, depending on the specific situation, as shown in Fig. 13d. As the angle of the pole saw shaft to the ground increases, the difficulty of making the first cut (from the underside of limb) increases.



- Remove long branches in several stages.
- Cut lower branches first to allow the top branches more room to fall.
- Work slowly, keeping both hands on the saw with a firm grip. Maintain secure footing and balance.
- Keep the tree between you and the chain while limbing. Cut from the side of the tree opposite the branch you are cutting.
- Do not cut from a ladder; this is extremely dangerous. Leave such operations for professionals.
- Do not make the flush cut next to the main limb or trunk until you have cut off much of the limb to reduce the weight. Following proper cutting procedures will prevent stripping the bark from the main member.
- Do not use the pole saw for felling or bucking.
- To prevent electrocution, do not operate within 50 ft. (15 m) of overhead electrical lines (Fig. 13d).
- Keep bystanders at least 50 ft. (15 m) away (Fig. 13d).

MAINTENANCE

⚠ WARNING: When servicing, use only identical replacement parts. Use of any parts may create a hazard or cause product damage. To ensure safety and reliability, all repairs should be performed by a qualified service technician.

⚠ WARNING: Battery machines do not have to be plugged into an electrical outlet; therefore, they are always in operating condition. To prevent serious personal injury, take extra precautions and care when performing maintenance, service or for changing the cutting attachment or other attachments.

⚠ WARNING: To prevent serious personal injury, remove the battery pack from the power head before servicing, cleaning, changing add-on attachments, making any maintenance or when the product is not in use.

⚠ WARNING: Always wear eye protection with side shields marked to comply with ANSI Z87.1. Failure to do so could result in objects being thrown into your eyes resulting in possible serious injury.

GENERAL MAINTENANCE

Avoid using solvents when cleaning plastic parts. Most plastics are susceptible to damage from various types of commercial solvents and may be damaged by their use. Use clean cloth to remove dirt, dust, oil, grease, etc.

⚠ WARNING: Do not at any time let brake fluids, gasoline, petroleum-based products, penetrating oils, etc., come in contact with plastic parts. Chemicals can damage, weaken or destroy plastic which may result in serious personal injury.

⚠ WARNING: When cleaning the pole saw, DO NOT immerse it in water or other liquids.

CLEANING

- After each use, clean debris from the chain and guide bar with a soft brush. Wipe the pole saw surface with a clean cloth moistened with a mild soap solution.
- Remove the side cover, and then use a soft brush to remove debris from the guide bar, saw chain, sprocket and side cover.
- Always clean out wood chips, saw dust, and dirt from the guide bar groove when replacing the saw chain.
- All pole saw service, other than the items listed in these maintenance instructions, should be performed by competent pole saw service personnel.

REPLACING THE BAR AND SAW CHAIN

⚠ WARNING: Always wear gloves when handling the bar and chain; these components are sharp and may contain burrs.

⚠ WARNING: Never touch or adjust the chain while the motor is running. The saw chain is very sharp; always wear protective gloves when performing maintenance to the chain.

When replacing the guide bar and chain, always use the specified bar and chain combination listed in the “**RECOMMENDED ACCESSORIES**” section.

1. Remove the battery and allow the saw to cool. Make sure the oil-tank cap is tight to prevent oil leakage.
2. Position the pole saw on its side on a firm, flat surface, so that the side cover is facing upwards.
3. Wear gloves. Remove the side cover by turning the cover nut counterclockwise using the multi-function wrench. Clean the side cover with a dry cloth.
4. Remove the worn bar and chain from the mounting surface.
5. Install new guide bar and saw chain, following the “**ASSEMBLING THE GUIDE BAR AND SAW CHAIN**” instructions in “**ASSEMBLY**” section.

NOTICE: This is a good time to inspect the drive sprocket for excessive wear or damage.

CHAIN MAINTENANCE

⚠ WARNING: Always wear gloves when handling the saw chain. The chain is sharp and may contain burrs.

Only use low-kickback chains on this saw. This fast-cutting chain will provide kickback reduction when properly maintained.

A properly sharpened saw chain cuts through wood effortlessly, even with very little pressure.

Never use a dull or damaged saw chain. A dull saw chain cutter leads to increased physical strain, increased vibration load, unsatisfactory cutting results, and increased wear.

For smooth and fast cutting, the saw chain needs to be maintained properly. When the wood chips are small and powdery, the chain must be forced through the wood during cutting, or the chain cuts to one side are the indicators that the chain requires sharpening. During maintenance of your saw chain, consider the following:

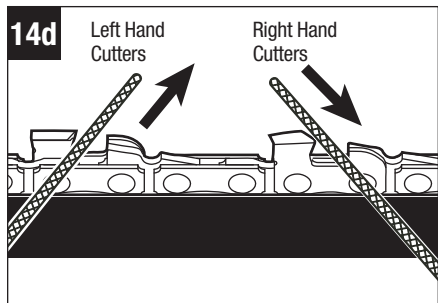
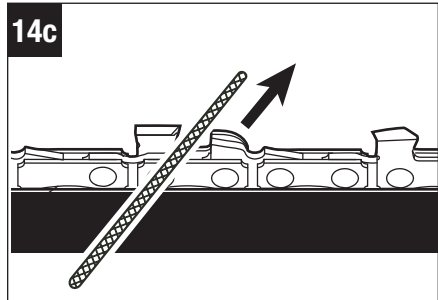
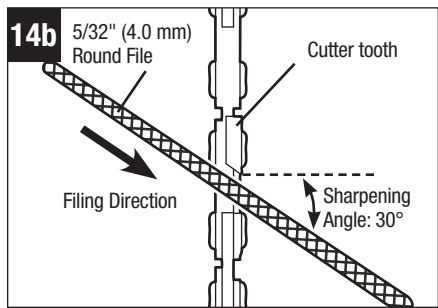
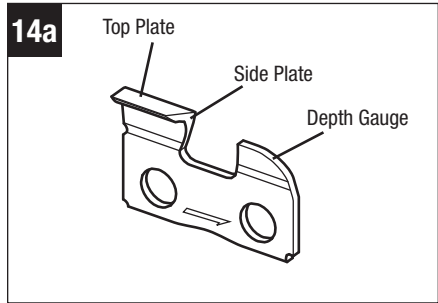
- Improper filing angle of the side plate can increase the risk of a severe kickback.
- Raker (depth gauge) clearance. Too low increases the potential for kickback. Not low enough decreases cutting ability.
- If cutter teeth have hit hard objects, such as nails and stones, or have been abraded by mud or sand on the wood, have the chain sharpened by a qualified service technician.

NOTICE: Inspect the drive sprocket for wear or damage when replacing the chain. If signs of wear or damage are present in the areas indicated, have the drive sprocket replaced by qualified service technician.

How to Sharpen the Cutters (Fig. 14)

Be sure to file all cutters (Fig. 14a) to the specified angles and to the same length, as fast cutting can be obtained only when all cutters are uniform.

1. Remove the battery pack. Wear gloves for protection.
2. Make sure that the chain is properly mounted and correctly tensioned.
3. Use a 5/32" (4.0 mm) diameter round file and holder (available separately). Do all of your filing at the middle position of the guide bar.
4. Keep the file level with the top plate of the tooth. Do not let the file dip or rock.
5. Keep a correct sharpening angle of 30° between the file and the saw chain (see Fig. 14b & 14c). Always use a file holder (available separately) when sharpening saw chains by hand. File holders have markings for the sharpening angle.
6. Using light but firm pressure, perform a stroke towards the front corner of the tooth. Lift the file away from the steel on each return stroke.
7. Make a few firm strokes on every tooth. File all left hand cutters in one direction. Then move to the other side and file the right-hand cutters in the opposite direction. Occasionally remove filings from the file with a wire brush (Fig. 14d).



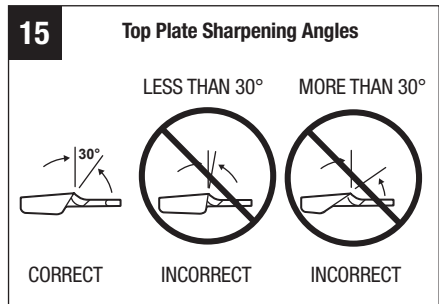
⚠ WARNING: A dull or improperly sharpened chain can cause excessive motor speed during cutting, which may result in severe motor damage.

⚠ WARNING: Improper chain sharpening increases the potential of kickback.

⚠ WARNING: Failure to replace or repair a damaged chain can cause serious injury.

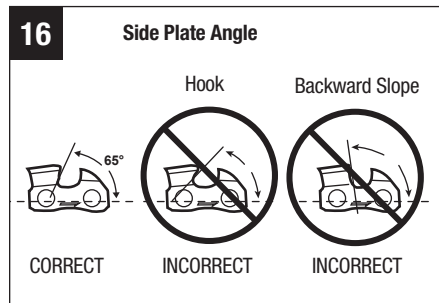
Top Plate Sharpening Angles (Fig. 15)

- **CORRECT 30°** - This optimal angle can be obtained only when the specified files and proper setting are used. File holders are marked with guide marks to align the file properly to produce the correct top plate angle.
- **LESS THAN 30°** - The tooth is too dull for cutting.
- **MORE THAN 30°** - The edge of the cutting tooth is feathered and dulls quickly.



Side Plate Angle (Fig. 16)

- **CORRECT 65°** - The optimal angle can be produced automatically if the correct diameter file is used in the file holder.
- **HOOK** - “Grabs” and dulls quickly. Increases potential of KICKBACK. Results from using a file with a diameter that is too small, or a file held too low.
- **BACKWARD SLOPE** - Needs too much feed pressure, causes excessive wear to bar and chain. Results from using a file with a diameter too large, or a file held too high.

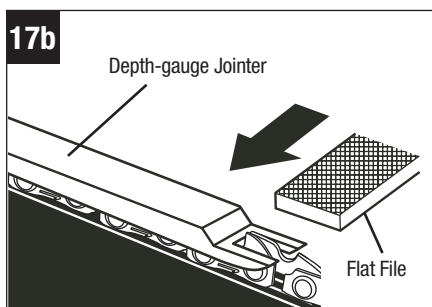
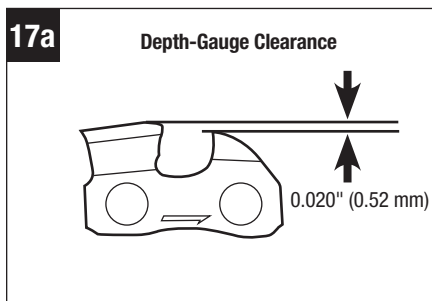


Depth-Gauge Clearance (Fig. 17)

1. The depth gauge should be maintained at a clearance of 0.020" (0.52 mm), as shown in Fig. 17a. Use a depth gauge machine (available separately) to check the depth gauge clearances.
2. Check the depth-gauge clearance every time the chain is filed.

Use a flat file and a depth-gauge jointer (both available separately) to lower all gauges uniformly (Fig. 17b). Depth-gauge jointers are available from 0.020" to 0.035" (0.5 mm to 0.9 mm). Use a 0.020" (0.52 mm) depth-gauge jointer.

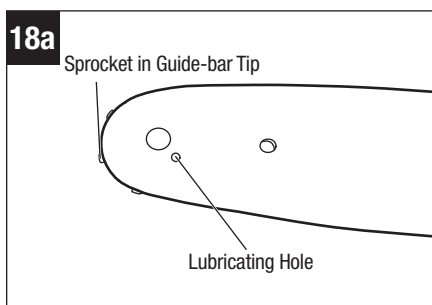
Depth-gauges must be adjusted with the flat file in the same direction the adjoining cutter was filed with the round file. Use care not to contact the cutter face with the flat file when adjusting depth gauges.



GUIDE BAR MAINTENANCE (Fig. 18)

When the guide bar shows signs of wear, reverse it on the saw to distribute the wear for maximum bar life. The bar should be cleaned every day after use and be checked for wear and damage. Feathering or burring of the bar rails is a normal process of bar wear. Such faults should be smoothed with a file as soon as they occur. A bar with any of the following faults should be replaced.

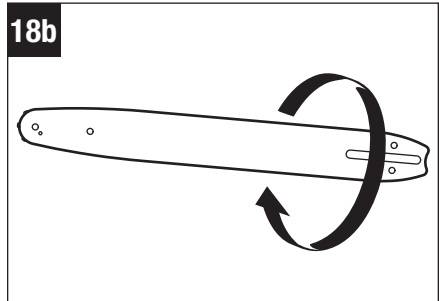
- Wear inside the bar rails which permits the chain to lay over sideways.
- Bent guide bar.
- Cracked or broken rails.
- Spread rails.



- In addition, the guide bar has a sprocket at its tip. The sprocket must be lubricated weekly with a grease syringe to extend the guide bar life. Use a grease syringe to lubricate weekly with chain oil by means of the lubricating hole (Fig. 18a). Turn the guide bar and check that the lubrication holes and chain groove are free from impurities.

Reversing the Guide Bar (Fig. 18b)

1. Remove the guide bar and chain from the pole saw following the “**REPLACING THE BAR AND SAW CHAIN**” section.
2. Remove the chain from the guide bar.
3. Turn the guide bar over. The bottom of the bar will be on the top.
4. Replace the chain on the bar.
5. Reassemble the guide bar and chain onto the pole saw according to the “**REPLACING THE BAR AND SAW CHAIN**” section.

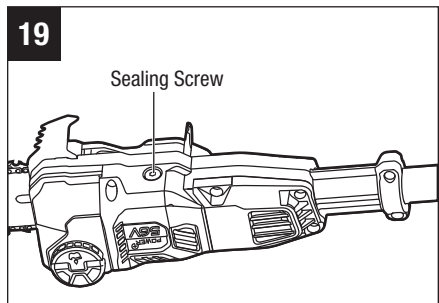


TRANSMISSION GEARS LUBRICATION

The transmission gears in the gear case need be lubricated periodically with gear grease after every 50 hours of operation.

Do not completely fill the transmission gear case.

1. Position the pole saw on its chain-sprocket cover side on a firm, flat surface, so that the sealing screw is facing upwards (Fig. 19)
2. Loosen and remove the injection screw using a 4 mm Allen key (not included).
3. Use a grease syringe (not included) to inject 0.0066-0.0088 lb (3-4 g) grease into the screw hole after every 50 hours of operation.
4. Tighten the sealing screw after injection.



TRANSPORTING AND STORING

1. Do not store or transport the pole saw when it is running. Always remove the battery pack before storing or transporting.
2. Always place the chain sheath onto the guide bar and chain before storing or transporting the pole saw attachment. Use caution to avoid the sharp teeth of the chain.
3. Clean the pole saw thoroughly before storing. Store the pole saw indoors, in a dry place that is locked and/or inaccessible to children.
4. Keep away from corrosive agents such as garden chemicals and de-icing salts.

TROUBLESHOOTING

PROBLEM	CAUSE	SOLUTION
<p>Motor does not run</p>	<ul style="list-style-type: none"> ■ The battery pack is not attached to the pole saw. ■ No electrical contact between the saw and battery pack. ■ The battery pack charge is depleted. ■ The lock-off button is not depressed before pressing the trigger switch. ■ The battery pack or power head is too hot. ■ Saw chain is bound in the wood. ■ Debris in bar groove. ■ Debris in side cover. 	<ul style="list-style-type: none"> ■ Attach the battery pack to the pole saw. ■ Remove battery pack, check contacts and reinstall the battery pack. ■ Charge the battery pack. ■ Press and hold the lock-off button, then depress the trigger switch to turn on the pole saw. ■ Allow the battery pack or power head to cool until the temperature drops to the recommended operating temperature range. ■ Release the trigger switch; remove the saw chain and guide bar from the wood, then restart the pole saw. ■ Press the saw chain against the wood, move the pole saw back and forth to discharge the debris. ■ Remove battery pack, then remove side cover and clean out debris.
<p>Motor runs, but chain does not rotate.</p>	<ul style="list-style-type: none"> ■ Chain does not engage drive sprocket. 	<ul style="list-style-type: none"> ■ Remove the battery pack and reinstall the chain, making sure that the drive links on the chain are fully seated on the sprocket.
<p>The telescopic pole cannot be locked securely after pressing down the quick release lever.</p>	<ul style="list-style-type: none"> ■ The bolt and nut on the quick release lever became loose. 	<ul style="list-style-type: none"> ■ Securely tighten the bolt and nut by using two 10 mm socket wrenches or adjustable wrenches (not provided).

PROBLEM	CAUSE	SOLUTION
<p>Pole saw does not cut properly</p>	<ul style="list-style-type: none"> ■ Insufficient chain tension. ■ The bar and chain are skewed and not parallel to the housing. ■ Dull chain. ■ Chain installed backwards. ■ Worn chain. ■ Dry or excessively stretched chain. ■ Chain not in bar groove. 	<ul style="list-style-type: none"> ■ Loosen the cover nut, turn the tensioning screw clockwise until the chain is correctly tensioned, and then fully tighten the cover nut. ■ Remove the battery pack and reinstall the bar and saw chain according to the section "REPLACING THE BAR AND SAW CHAIN". Always remember to keep the bar and chain parallel to the mounting surface with one hand before installing the side cover. ■ Sharpen the chain cutters, following the section "HOW TO SHARPEN THE CUTTERS". ■ Remove the battery pack and reinstall the saw chain, following the section "REPLACING THE BAR AND SAW CHAIN". ■ Remove the battery pack and replace the chain following the section "REPLACING THE BAR AND SAW CHAIN". ■ Check the oil level. Refill the oil tank if necessary. ■ Remove the battery pack and reinstall the saw chain, following the section "REPLACING THE BAR AND SAW CHAIN".
<p>Bar and chain run hot and smoke.</p>	<ul style="list-style-type: none"> ■ Chain oil tank is empty. ■ Debris in guide bar groove. ■ Chain cutters are dull. 	<ul style="list-style-type: none"> ■ Filling bar and chain lubricant. ■ Clear the debris in the groove. ■ Sharpen chain cutters by following the section "HOW TO SHARPEN THE CUTTERS".

EGO LIMITED WARRANTY

WARRANTY POLICY TERMS AND DURATION

Chervon North America, Inc. (“Chervon North America”) provides the following Limited Warranty for EGO products to the original purchaser of EGO products.

The detailed warranty period for each EGO product can be found online at <http://egopowerplus.com/warranty-policy>.

Please contact EGO Customer Service Toll-Free at 1-855-EGO-5656 any time you have questions or warranty claims or would like a hard copy of the warranty.

LIMITED SERVICE WARRANTY

EGO products are warranted against defects in material or workmanship from the date of original retail purchase for the applicable warranty period. For any properly and timely submitted warranty claim, if Chervon North America determines a product to be defective during the warranty period, the product will receive free repair or replacement as determined by Chervon North America.

HOW TO OBTAIN SERVICE

For warranty service, within the applicable warranty period, please contact EGO customer service toll-free at **1-855-EGO-5656**. When requesting warranty service, you must present the original dated sales receipt. An authorized service center will be selected to evaluate and repair the product if defective according to the stated warranty terms. When bringing your product to the authorized service center, there may be a small deposit that will be required when dropping off your tool. This deposit is refundable when the repair service is deemed to be covered under warranty.

ADDITIONAL LIMITATIONS & EXCLUSIONS

This limited warranty applies only to the original purchaser from an authorized EGO retailer and is not transferable. EGO products shall not be considered defective, and this warranty will not apply, where the claimed defect is attributable to any cause other than the above-defined defects. This warranty shall be void if the product has been used for rental purposes. This warranty shall not apply to damage caused by accident, abuse, misuse, alteration, modification, unauthorized repair, liquid contact, fire, earthquake or other external cause; operating the product outside EGO’s instructions, specifications



or guidelines; or failure to properly service or maintain the product. This warranty also does not apply to cosmetic damage, including but not limited to scratches or dents; defects caused by normal wear and tear or otherwise due to the normal aging of the product.

THIS EXPRESS WARRANTY IS GIVEN IN LIEU OF ALL OTHER WARRANTIES, EXPRESS OR IMPLIED, INCLUDING, BUT NOT LIMITED TO, ANY WARRANTIES OF MERCHANTABILITY OR FITNESS FOR PARTICULAR PURPOSE OR USE, WHICH ARE DISCLAIMED. Any implied warranties, including warranties of merchantability or fitness for a particular purpose, that cannot be disclaimed under state law are limited to the applicable warranty period defined at the beginning of this article. The sole and exclusive remedy in connection with the purchase, installation, use, and/or performance of the EGO products is repair or replacement of the product as determined by Chervon North America. Chervon North America's maximum liability shall not in any case exceed the purchase price paid for the product. CHERVON NORTH AMERICA SHALL NOT BE LIABLE TO THE USER OR TO ANYONE ELSE FOR CONSEQUENTIAL, INCIDENTAL, SPECIAL, EXEMPLARY, INDIRECT, OR PUNITIVE DAMAGES ARISING FROM USE OF THE PRODUCTS, INCLUDING BUT NOT LIMITED TO PERSONAL INJURY, DEATH, PROPERTY DAMAGE, LOST PROFITS, OR OTHER ECONOMIC INJURY. This warranty gives you specific legal rights, and you may also have other rights which vary from state to state. Some states do not allow limitations on how long an implied warranty lasts, the exclusion or limitation of incidental or consequential damages, or the limitations on time to bring certain actions, so such limitations contained herein do not apply to individual consumers in those states.

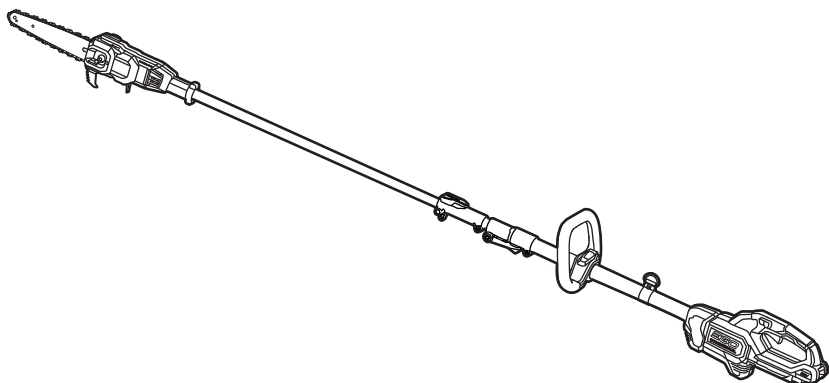
This warranty is subject to and shall be interpreted according to Michigan law without regard to principles of conflicts of laws. No legal action shall be brought against Chervon North America unless filed within one (1) year after the basis for such legal action becomes known, or with the exercise of reasonable diligence should have become known. Any action not timely filed shall be deemed waived.

For customer service contact us toll-free at: **1-855-EGO-5656** or **EGOPOWERPLUS.COM**.

EGO Customer Service
769 Seward Ave. NW, Suite 102
Grand Rapids, Michigan 49504.

EGO™

COMMERCIAL



REPLISSEZ LE RÉSERVOIR D'HUILE
AVEC DU LUBRIFIANT À CHAÎNE ET À
GUIDE CHAÎNE AVANT LA PREMIÈRE
UTILISATION



GUIDE D'UTILISATION

SCIE À ÉLAGUER À RALLONGE COMMERCIALE AU LITHIUM-ION DE 56 VOLTS

NUMÉRO DE MODÈLE PSX2510/PSX2510-FC

⚠ AVERTISSEMENT : Afin de réduire les risques de blessure, l'utilisateur doit lire et comprendre le guide d'utilisation avant d'utiliser ce produit. Conservez le présent guide afin de pouvoir le consulter ultérieurement.

TABLE DES MATIÈRES

Symboles relatifs à la sécurité	46
Consignes de sécurité	47-53
Introduction	54
Spécifications	55
Accessoires recommandés	55
Description	56-58
Assemblage	59-67
Fonctionnement	68-76
Maintenance	77-84
Recherche de la cause des problèmes	85-87
Garantie	88-90

LISEZ TOUTES LES INSTRUCTIONS !



LISEZ & COMPRENEZ
LE MODE D'EMPLOI

⚠ AVERTISSEMENT : Des travaux de ponçage, de sciage, de meulage et de perçage réalisés avec un outil électrique ainsi que d'autres travaux de construction peuvent produire des poussières qui, selon l'État de Californie, contiennent des produits chimiques qui sont des causes reconnues de cancer, de malformation congénitale ou d'autres problèmes reproductifs. Ces produits chimiques sont, par exemple :

- Du plomb provenant de peinture au plomb.
- Des cristaux de silice provenant des briques et du ciment, ainsi que d'autres produits de maçonnerie.
- De l'arsenic et du chrome provenant de bois de construction traité par des produits chimiques.

Le niveau de risque causé par de telles expositions varie en fonction de la fréquence de ces types de travaux. Pour réduire votre exposition à ces produits chimiques :

- Travaillez dans un endroit bien ventilé.
- Travaillez avec des équipements de sécurité agréés tels que certains masques conçus spécialement pour filtrer les particules microscopiques.
- Évitez tout contact prolongé avec la poussière produite par le ponçage, le sciage, le meulage, le perçage et d'autres activités de construction avec des outils électriques. Portez des vêtements de protection et lavez les surfaces de la peau ayant été exposées avec de l'eau et du savon. Si vous laissez de la poussière pénétrer dans votre bouche ou dans vos yeux, ou rester sur votre peau, cela risquerait de promouvoir l'absorption de produits chimiques toxiques.

SYMBOLES RELATIFS À LA SÉCURITÉ

La raison d'être des symboles relatif à la sécurité est d'attirer votre attention sur des dangers possibles. Il est important de vous familiariser avec les symboles relatifs à la sécurité et les explications qui les accompagnent afin de bien les comprendre. Les avertissements et les symboles associés ne suffisent pas à éliminer tous les dangers. Les instructions et les avertissements qu'ils donnent ne sauraient remplacer des mesures de prévention des accidents appropriées.

⚠ AVERTISSEMENT : Lisez toutes les consignes de sécurité qui sont contenue dans ce Mode d'emploi, y compris tous les symboles d'alerte relatifs à la sécurité tels que « **DANGER** », « **AVERTISSEMENT** » et « **MISE EN GARDE** », et assurez-vous que vous les comprenez bien avant de commencer à utiliser cet outil. La non-observation de toutes les instructions figurant ci-après pourrait causer un choc électrique, un incendie et/ou des blessures personnelles graves.

SIGNIFICATION DES SYMBOLES







⚠ SYMBOLE D'ALERTE DE SÉCURITÉ : Indique **DANGER**, **AVERTISSEMENT** ou **MISE EN GARDE**. Peut être utilisé en conjonction avec d'autres symboles ou pictogrammes.



⚠ AVERTISSEMENT : Pendant leur fonctionnement, les machines peuvent projeter des corps étrangers dans les yeux de leur utilisateur et lui infliger de graves blessures aux yeux. Portez toujours des lunettes de protection ou des lunettes de sécurité à écrans latéraux et un masque couvrant tout le visage si besoin est avant de commencer à utiliser cette machine. Nous recommandons de porter un masque de sécurité à vision latérale large au-dessus des lunettes ordinaires ou des lunettes de sécurité standard avec des écrans de protection sur les côtés. Utilisez toujours un équipement de protection des yeux indiquant qu'il est conforme à la norme ANSI Z87.1.

CONSIGNES DE SÉCURITÉ

Cette page représente et décrit les symboles de sécurité qui peuvent figurer sur ce produit. Lisez, comprenez et suivez toutes les instructions figurant sur la lampe avant de l'assembler et de commencer à l'utiliser.

	Alerte de sécurité	Indique un risque de blessure.
	Lisez le mode d'emploi, et assurez-vous que vous le comprenez.	Pour réduire le risque de blessure, l'utilisateur doit lire le mode d'emploi et s'assurer qu'il le comprend avant de commencer à utiliser ce produit.
	Portez toujours des lunettes de sécurité.	Portez toujours des lunettes de protection ou des lunettes de sécurité à écrans latéraux et un masque couvrant tout le visage lors de l'utilisation de ce produit.
	Portez des protecteurs d'oreilles.	Le bruit émis par la scie à élaguer à rallonge peut endommager votre ouïe. Portez toujours un dispositif de protection des oreilles (protège-oreilles ou bouchons d'oreilles) pour protéger votre ouïe.
	Portez un casque.	Portez un casque dur de sécurité agréé pour protéger votre tête.
	Portez des gants de protection.	Protégez vos mains avec des gants lorsque vous touchez la scie et la chaîne de la scie. Des gants épais et antidérapants améliorent votre préhension et protègent vos mains.
	Portez des chaussures de sécurité.	Portez des chaussures de sécurité antidérapantes lorsque vous utilisez cet équipement.

	<p>Restez à une distance suffisante des lignes électriques.</p>	<p>Pour ne pas risquer de vous faire électrocuter, n'utilisez pas cet équipement à moins de 15 m / 50 pi de lignes électriques surélevées. Tout contact avec des lignes électriques ou toute utilisation à proximité de lignes électriques risquerait de causer des blessures graves ou un choc électrique pouvant entraîner la mort.</p>
	<p>Symbole de recyclage</p>	<p>Ce produit utilise des piles au lithium-ion (Li-ion). Les lois et règlements locaux, provinciaux et fédéraux interdisent peut-être de jeter des piles au lithium-ion dans les ordures ordinaires. Consultez votre service municipal responsable de la gestion des déchets pour déterminer quelles sont les options de recyclage et/ou d'élimination possibles.</p>
<p>IPX5</p>	<p>Indice de protection pour la pénétration (PP)</p>	<p>Classifie le degré de protection fourni par un boîtier, pour les équipements électriques.</p>
<p>V</p>	<p>Volt</p>	<p>Tension</p>
<p>mm</p>	<p>Millimètre</p>	<p>Longueur ou la taille</p>
<p>in</p>	<p>Pouce</p>	<p>Longueur ou la taille</p>
<p>m</p>	<p>Compteur</p>	<p>Longueur ou la taille</p>
<p>ft</p>	<p>Pied</p>	<p>Longueur ou la taille</p>
<p>fl. oz.</p>	<p>Once liquide</p>	<p>Volume du liquide</p>
<p>ml</p>	<p>Millilitre</p>	<p>Volume du liquide</p>
<p>kg</p>	<p>Kilogramme</p>	<p>Poids</p>
<p>lb</p>	<p>Livre</p>	<p>Poids</p>
<p>°C</p>	<p>Degrés Celsius</p>	<p>Temperature</p>
<p>°F</p>	<p>Degrés Fahrenheit</p>	<p>Temperature</p>
	<p>Courant continu (c.c.)</p>	<p>Type ou caractéristique du courant</p>

CONSIGNES DE SÉCURITÉ IMPORTANTES

⚠ AVERTISSEMENT : Lorsque vous utilisez une machine électrique pour le jardinage, prenez toujours des précautions élémentaires en matière de sécurité pour réduire le risque d'incendie, de choc électrique et de blessures, notamment en faisant ce qui suit :

LISEZ TOUTES LES INSTRUCTIONS.

⚠ DANGER : N'utilisez pas cette scie à proximité de lignes électriques. Cette scie n'a pas été conçue pour assurer une protection contre les chocs électrique en cas de contact avec des lignes électriques surélevées. Consultez la réglementation locale pour connaître les distances de sécurité par rapport à des lignes électriques surélevées, et assurez-vous que votre position de travail est sécurisée et sans danger avant de commencer à utiliser la scie à élaguer à rallonge.

⚠ MISE EN GARDE : Portez un dispositif approprié de protection de l'ouïe pendant l'utilisation de cet outil. Dans certaines conditions d'utilisation et en fonction de la durée de cette utilisation, le bruit émis par cet outil peut contribuer à une perte auditive.

- **Évitez les environnements dangereux** - N'utilisez pas de machines dans un endroit mouillé ou humide.
- **Gardez les enfants à distance** - Tous les visiteurs doivent rester à une certaine distance de la zone de travail.
- **Habillez-vous de façon appropriée** - Ne portez pas de vêtements amples ou de bijoux. Ils risqueraient d'être happés par des pièces mobiles. Le port de gants en caoutchouc et de chaussures de travail solides est recommandé si vous travaillez à l'extérieur. Portez un chapeau ou une coiffe de protection si vous avez les cheveux longs.
- **Portez des lunettes de sécurité. Utilisez toujours un masque de protection contre la poussière ou une protection du visage si la tâche que vous allez accomplir va produire de la poussière.**
- **Utilisez la machine appropriée** - N'utilisez pas une machine qui a été conçue pour une autre tâche.
- **Ne touchez pas les bords de coupe ou les lames exposées lorsque vous ramassez ou tenez cette machine.**

- **N'exercez pas une pression excessive sur la machine** - Votre machine fera mieux le travail pour lequel elle a été conçue en réduisant le risque de blessure si vous l'utilisez à la vitesse pour laquelle elle a été conçue.
- **Ne vous penchez pas au-dessus de la machine** - Veillez à toujours garder un bon équilibre et un appui stable.
- **Restez alerte** - Surveillez attentivement ce que vous êtes en train de faire. Faites preuve de bon sens. N'utilisez pas cette machine lorsque vous êtes fatigué(e).
- **Gardez toutes les parties de votre corps à une distance suffisante de la chaîne de la scie.** Ne tentez pas de retirer des matériaux coupés ou de tenir des matériaux à couper pendant que les lames sont en mouvement. Assurez-vous que l'interrupteur est en position d'arrêt lorsque vous essayez de dégager des matériaux coincés. La chaîne de la scie continue à tourner pendant un certain temps après que vous appuyez sur l'interrupteur pour arrêter la scie. Un simple moment d'inattention pendant que vous utilisez cette scie à élaguer à rallonge pourrait causer une blessure grave.
- **Transportez la scie à élaguer à rallonge par la poignée après avoir arrêté le mouvement de la chaîne de la scie.** Lorsque vous transportez la scie à élaguer à rallonge, ou lorsque vous la rangez, recouvrez toujours la chaîne de la scie avec la gaine de chaîne appropriée. La manipulation appropriée de la scie à élaguer à rallonge réduira le risque de blessure en liaison avec la chaîne de la scie.
- **Tenez seulement la scie à élaguer à rallonge par ses surfaces de préhension isolées, parce que la chaîne de la scie pourrait entrer en contact avec des fils sous tension dissimulés.** L'entrée en contact de la chaîne de la scie avec un fil sous tension pourrait rendre conductrices des parties en métal exposées de la scie à élaguer à rallonge et causer un choc électrique à l'opérateur.
- **N'utilisez pas la scie à élaguer à rallonge si le temps est mauvais, en particulier s'il existe un risque de foudre.** Ceci réduit le risque d'être frappé par la foudre.
- **Pour réduire le risque d'électrocution, n'utilisez jamais à proximité de ligne électriques.** Tout contact avec des lignes électriques ou toute utilisation à proximité de lignes électriques risquerait de causer des blessures graves ou un choc électrique pouvant entraîner la mort.
- **Tenez toujours la scie à élaguer à rallonge des deux mains. Tenez la scie à élaguer à rallonge des deux mains pour ne pas risquer d'en perdre le contrôle.**

- **Portez toujours un casque lorsque vous utilisez la scie à élaguer à rallonge à un endroit surélevé.** La chute de débris pourrait causer des blessures graves.
- **Rangez les machines inutilisées à l'intérieur** - Quand elles ne sont pas utilisées, ces produits doivent être rangés à l'intérieur, dans un endroit sec et en hauteur, ou dans un endroit fermé à clé avec le bloc-piles retiré et hors de portée des enfants.
- **Entretenez scrupuleusement cette machine** - Un bord de coupe bien affûté et propre assurera la meilleure performance possible et réduira le risque de blessures. Suivez les instructions pour le graissage ainsi que pour le changement d'accessoires. Gardez les poignées propres, sèches et exemptes de toute trace d'huile ou de graisse.
- **Inspectez la machine pour vous assurer qu'aucune pièce n'est endommagée** - Avant de continuer à utiliser ce produit, examinez le dispositif de protection et toutes les autres pièces pour vous assurer que tout fonctionnera toujours correctement et en remplissant la fonction prévue. Vérifiez que les pièces mobiles sont correctement alignées, qu'elles ne se coincent pas, qu'elles sont bien assujetties et qu'elles ne sont pas brisées, vérifiez leur montage et remédiez à tous autres problèmes qui risqueraient d'affecter le fonctionnement de l'outil. Un dispositif de protection ou tout autre composant endommagé doit être réparé de façon approprié ou remplacé par un centre de service après-vente agréé, sauf indication contraire par ailleurs dans ce mode d'emploi.
- **Ne chargez pas le bloc-piles sous la pluie ou dans des endroits mouillés.**
- **Empêchez une mise en marche accidentelle. Assurez-vous que l'interrupteur est dans la position d'arrêt avant de le connecter au bloc-piles, ou de soulever ou de transporter la machine.** Le fait de transporter la machine avec le doigt sur l'interrupteur ou de la mettre sous tension avec l'interrupteur en position de marche invite les accidents.
- **Débranchez le bloc-piles de la machine avant d'y apporter de quelconques modifications, de changer des accessoires ou de ranger la machine.** De telles mesures de sécurité préventives réduisent le risque de démarrage accidentel de la machine.
- **Ne modifiez pas et ne tentez pas de réparer la machine ou le bloc-piles (suivant le cas), sauf conformément à ce qui est indiqué dans les instructions d'entretien et dans le mode d'emploi.**
- **N'utilisez pas un bloc-piles ou une machine qui est endommagé ou qui a été modifié.** Des piles endommagées ou modifiées peuvent se comporter de façon imprévisible et causer un incendie, une explosion ou des blessures.

- **Utilisez ces machines exclusivement avec des blocs-piles conçus spécifiquement pour celles-ci.** L'emploi de tout autre bloc-piles risquerait de causer des blessures et un incendie.
- **Faites réparer votre produit par un réparateur compétent n'utilisant que des pièces de rechange identiques.** Ceci assurera le maintien de la sécurité du produit.
- **N'utilisez qu'avec les blocs-piles et chargeurs indiqués ci-dessous :**

BLOC-PILES	CHARGEUR
BA1400, BA1400-FC, BA2800, BA2800-FC, BA4200, BA4200-FC, BA1400T, BA1400T-FC, BA2242T, BA2242T-FC, BA2800T, BA2800T-FC, BA3360T, BA3360T-FC, BA4200T, BA4200T-FC, BA5600T, BA5600T-FC, BA6720T, BA6720T-FC	CH2100, CH2100-FC, CH3200, CH3200-FC, CH5500, CH5500-FC, CH2800D, CH2800D-FC, CH7000, CH7000-FC

- **Ne jetez pas la pile dans un feu.** Les piles pourraient exploser. Consultez les codes locaux pour connaître les éventuelles instructions spéciales pour la mise au rebut.
- **N'ouvrez pas et ne mutilez pas la pile.** L'électrolyte libéré est corrosif et peut causer des dommages aux yeux ou à la peau. Il peut être toxique s'il est avalé.

⚠ MISE EN GARDE : L'électrolyte est un acide sulfurique dilué qui est nocif pour la peau et les yeux. Il est conducteur d'électricité et corrosif.

- **Faites attention à la manipulation des piles afin de ne pas risquer de les court-circuiter avec des matériaux conducteurs tels que des bagues, des bracelets et des clés.** La pile ou le conducteur peuvent surchauffer et provoquer des brûlures.
- **Pièces de rechange** - Lors de toute réparation, n'utilisez que des pièces de rechange EGO identiques. L'utilisation de tout autre accessoire ou attachement peut augmenter le risque de blessure.
- **Il n'est pas nécessaire de brancher les machines alimentées par des piles dans une prise de courant ; elles sont toujours en état de fonctionnement.** Soyez conscient(e) des dangers possibles même lorsque la machine n'est pas en marche. Faites attention lorsque vous effectuez des opérations de maintenance ou d'entretien.

- **Retirez ou déconnectez le bloc-piles avant toute opération de maintenance ou de nettoyage, ou avant de retirer des matériaux de ce produit.**
- **Ne lavez pas avec un tuyau flexible ; évitez de faire pénétrer de l'eau dans le moteur et les connexions électriques.**
- **N'incinerez pas la machine, même si elle est excessivement endommagée.**
Les piles peuvent exploser en cas d'incendie.
- **N'exposez pas le bloc-piles ou la machine à un feu ou à une température excessive.** L'exposition à un incendie ou à une température supérieure à 100° C / 212° F pourrait causer une explosion.
- **Si des situations qui ne sont pas traitées dans ce mode d'emploi surviennent, faites attention et utilisez votre jugement. Contactez le centre de service à la clientèle d'EGO pour obtenir de l'assistance.**

CONSERVEZ CES INSTRUCTIONS. Consultez-les fréquemment et utilisez-les pour donner les instructions nécessaires à d'autres personnes qui peuvent utiliser ce produit. Si vous prêtez ce produit à quelqu'un d'autre, donnez-lui également ces instructions pour éviter toute utilisation abusive du produit et tout risque de blessure.

INTRODUCTION

Félicitations pour votre sélection de la SCIE À ÉLAGUER À RALLONGE COMMERCIALE EGO. Elle a été conçue, développée et fabriquée pour vous donner le plus possible de fiabilité et de rendement.


Si vous rencontrez un problème auquel vous ne pouvez pas remédier facilement, veuillez contacter le centre de service à la clientèle EGO au 1-855-EGO-5656.

Ce mode d'emploi contient des informations importantes sur l'assemblage, l'utilisation et l'entretien de votre produit en toute sécurité. Lisez-le attentivement avant d'utiliser le produit. Conservez ce mode d'emploi à portée de main afin de pouvoir vous y référer à tout moment.

NUMÉRO DE SÉRIE _____ DATE D'ACHAT _____

NOUS VOUS RECOMMANDONS DE NOTER LE NUMÉRO DE SÉRIE ET LA DATE D'ACHAT ET DE LES CONSERVER EN LIEU SÛR AFIN DE POUVOIR LES CONSULTER ULTÉRIEUREMENT.

SPÉCIFICATIONS

Tension	56 V 
Longueur de la barre de guidage	250 mm / 10 po
Angle de coupe de la chaîne	6,4 mm / 1/4 po
Jauge de la chaîne	1,1 mm / 0,043 po
Capacité du réservoir à huile	80 ml / 2,7 onces liquides
Nombre de maillons d'entraînement	56
Longueur de la machine (sans rallonge)	Min. 2,33 m / 7,6 pi
	Max. 2,92 m / 9,6 pi
Longueur de la machine (avec une rallonge)	Min. 3,33 m / 10,9 pi
	Max. 3,92 m / 12,9 pi
Longueur de la machine (avec 2 rallonges au maximum)	Min. 4,33 cm / 14,2 pi
	Max. 4,92 cm / 16,2 pi
Température de fonctionnement recommandée	-15° C – 40° C / 5° F – 104° F
Température de stockage recommandée	-20° C – 70° C / -4° F – 158° F
Poids (sans le bloc-piles et la gaine de la chaîne)	4,3 kg / 9,5 lb
Indice de protection pour la pénétration (PP)	IPX5* (Protection contre les jets d'eau).

*** REMARQUE :** Le classement IPX5 est basé sur la machine et la pile utilisées ensemble en tant que système.

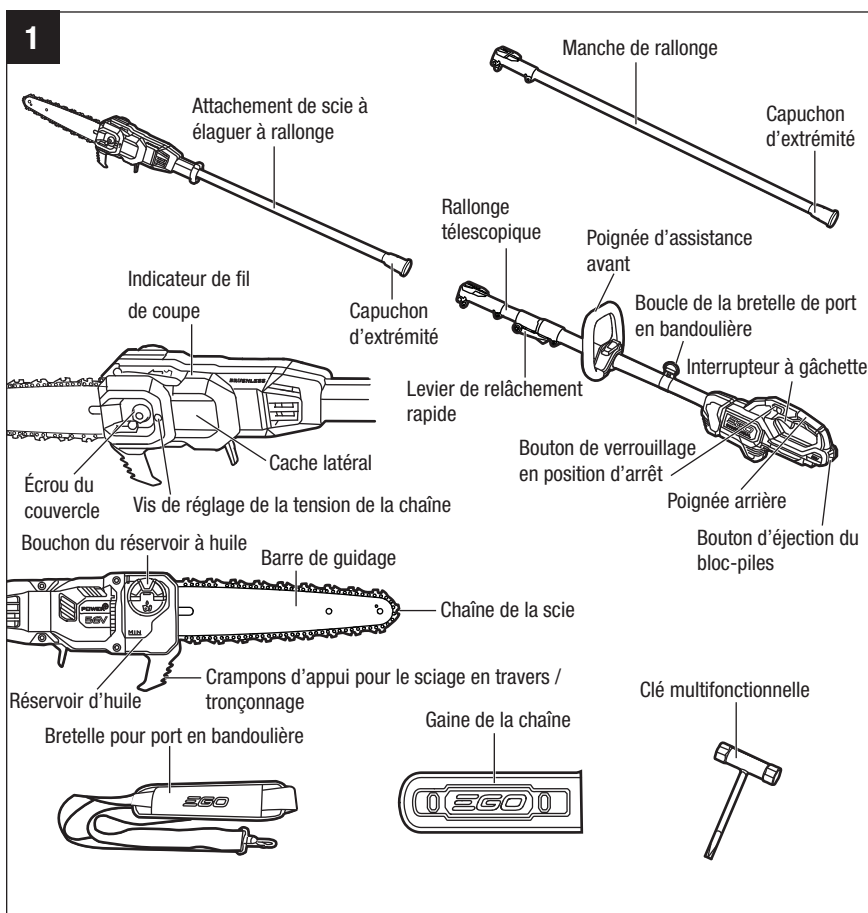
ACCESSOIRES RECOMMANDÉS

NOM DE LA PIÈCE	NUMÉRO DE MODÈLE
Barre de guidage	AG1000Q
Chaîne de la scie	AC1000Q
Manche de rallonge	EP1000
Bretelle pour port en bandoulière	AP1500

DESCRIPTION

FAMILIARISEZ-VOUS AVEC VOTRE SCIE À ÉLAGUER À RALLONGE (Fig. 1)

Pour que ce produit puisse être utilisé en toute sécurité, il est nécessaire de comprendre les informations figurant sur le produit et dans son mode d'emploi, et de bien maîtriser le projet que vous voulez réaliser. Avant d'utiliser ce produit, familiarisez-vous avec toutes ses fonctionnalités et les consignes de sécurité qui s'y appliquent.



Interrupteur à gâchette

Sert à activer et à désactiver la scie à élaguer à rallonge.

Bouton de verrouillage en position d'arrêt

Contribue à empêcher une activation accidentelle et non autorisée de l'interrupteur à gâchette. Il doit être enfoncé avant que l'interrupteur à gâchette puisse être activé.

Rallonge télescopique

Une tige intérieure utilisée pour prolonger la longueur de la machine.

Levier à relâchement rapide

Verrouille et déverrouille la rallonge télescopique.

Cache latéral

Couvre les maillons d'entraînement de la chaîne et sécurise la barre de guidage.

Barre de guidage

Supporte et guide la chaîne de la scie.

Chaîne de la scie

Une boucle de la chaîne équipée de dents de coupe qui coupent le bois quand elle est entraînée par le bloc moteur et supportée par la barre de guidage.

Écrou du couvercle

Maintient en place le couvercle latéral et l'ensemble de la barre de guidage.

Vis de réglage de la tension de la chaîne

Permet un réglage précis de la tension de la chaîne de la scie.

Indicateur de fil de coupe

Indique la position de la chaîne de la scie, ce qui permet à l'utilisateur de connaître la position de la chaîne lorsqu'il coupe des branches en hauteur et sous un couvert arboré ombragé.

Gaine de la chaîne

La gaine de la chaîne empêche l'opérateur d'entrer en contact avec les lames tranchantes de la scie à chaîne lorsque la machine n'est pas utilisée. Elle aide aussi

à empêcher les lames d'être ébréchées ou endommagées pendant le transport ou le rangement de la machine.

Réservoir d'huile

Le boîtier du réservoir semi-transparent stocke le lubrifiant pour la chaîne de la scie et permet à l'utilisateur de voir quand il faut ajouter du lubrifiant.

Bouchon du réservoir à huile

Ferme le réservoir à huile de façon étanche.

Crampons d'appui pour le sciage en travers / tronçonnage

La ou les dents pointues sont utilisées lors du sciage en travers pour faire pivoter la scie et maintenir sa position pendant le sciage.

Poignée d'assistance avant

Pour contrôler facilement la scie à élaguer à rallonge pendant les opérations de coupe.

Poignée arrière

La poignée ergonomique améliore le confort et la préhension.

Bouton d'éjection du bloc-piles

Appuyez sur ce bouton pour détacher le bloc-piles de la machine.

Bretelle pour port en bandoulière

Un harnais à porter par l'opérateur à des fins de soutien et de renforcement de l'équilibre pendant les opérations de coupe.

Boucle de la bretelle de port en bandoulière

Pour attacher la bretelle de port en bandoulière.

Manche de rallonge

Augmente la longueur de la machine de 1 m / 3,3 pi pour étendre la portée de la coupe.

Capuchon d'extrémité

Protège l'orifice de connexion de l'attachement de la scie à élaguer à rallonge / de la tige de rallonge contre les dommages pendant le transport séparément.

ASSEMBLAGE

⚠ AVERTISSEMENT : Si certaines pièces sont endommagées ou manquantes, n'utilisez pas ce produit avant que ces pièces aient été remplacées. L'utilisation de ce produit avec des pièces endommagées ou manquantes pourrait causer des blessures graves.

⚠ AVERTISSEMENT : Ne tentez pas de modifier ce produit ou de créer des accessoires qu'il n'est pas recommandé d'utiliser avec cette machine. Une telle altération ou modification constituerait une utilisation abusive et pourrait créer une situation dangereuse avec risque de blessures graves.

⚠ AVERTISSEMENT : Pour empêcher tout démarrage accidentel qui pourrait causer une blessure grave, retirez toujours le(s) bloc-piles de la machine lorsque vous effectuez le montage de pièces.

DÉBALLAGE

Ce produit nécessite un assemblage.

- Retirez le produit et tous les accessoires de la boîte en prenant les précautions nécessaires. Assurez-vous que tous les articles indiqués sur la « **LISTE DES PIÈCES** » sont inclus.
- Inspectez attentivement la machine pour vous assurer qu'aucun dommage ou bris de pièce(s) ne s'est produit pendant le transport.
- Ne jetez pas les matériaux d'emballage avant d'avoir inspecté attentivement la machine et de l'avoir mise en marche de façon satisfaisante.
- Si une pièce quelconque est endommagée ou manquante, rappez le produit dans le magasin où vous l'avez acheté.

LISTE DES PIÈCES

NOM DE LA PIÈCE	QUANTITÉ
Attachement de scie à élaguer à rallonge	1
Bloc moteur	1
Chaîne de la scie	1
Barre de guidage	1
Poignée d'assistance avant	1

NOM DE LA PIÈCE	QUANTITÉ
Gaine de la chaîne	1
Bretelle pour port en bandoulière	1
Manche de rallonge	1
Clé multifonctionnelle	1
Mode d'emploi	1

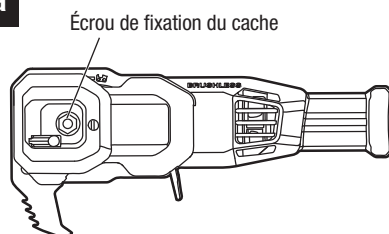
ASSEMBLAGE DE LA BARRE DE GUIDAGE ET DE LA CHAÎNE DE LA SCIE (Fig. 2)

⚠ AVERTISSEMENT : Portez des gants de sécurité avant toute intervention sur la chaîne.

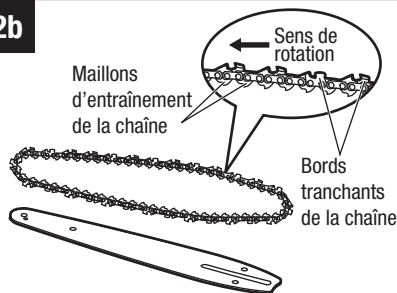
⚠ AVERTISSEMENT : Une chaîne de scie mal ajustée entraînera un comportement de coupe erratique de l'outil. Montez la chaîne de manière à ce qu'elle tourne dans le sens de rotation indiqué.

1. Retirez le bloc-piles.
2. Posez la scie à élaguer à rallonge sur une surface ferme et plate, de telle sorte que le cache latéral soit orienté vers le haut.
3. Dévissez l'écrou du cache à l'aide de la clé multifonctionnelle fournie, puis soulevez le cache latéral (Fig. 2a).
4. Posez la nouvelle chaîne de la scie sur une surface plane, mettez-la en boucle et redressez les plis éventuels (Fig. 2b).
5. Placez les maillons d'entraînement de la chaîne dans la rainure de la barre de guidage. Positionnez la chaîne de manière à ce qu'il y ait une boucle à l'arrière de la barre de guidage (Fig. 2c).

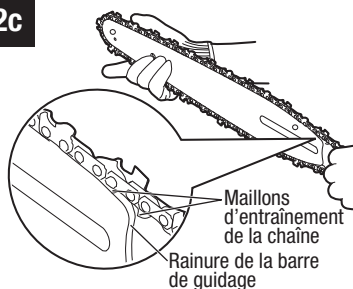
2a



2b

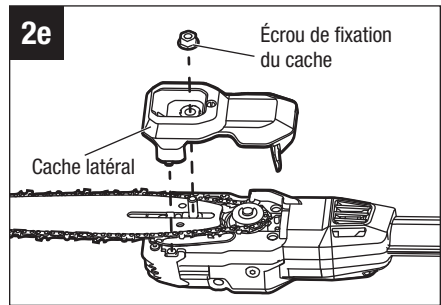
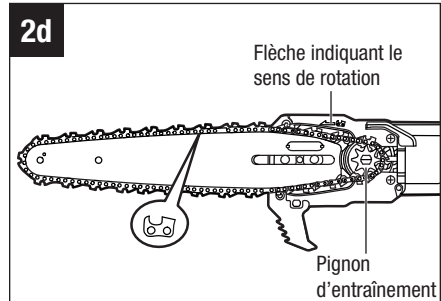


2c



6. Maintenez la chaîne en position sur la barre de guidage et placez la boucle autour du pignon d'entraînement de la scie à élaguer à rallonge.

AVIS : Une petite flèche de direction et un pictogramme de bord tranchant sont gravés sur le boîtier de la machine (Fig. 2d). Lorsque vous enrroulez la chaîne de la scie sur la barre de guidage, assurez-vous qu'après avoir monté la barre de guidage, le sens de la chaîne de la scie correspond à la flèche du sens de rotation sur le boîtier de la machine et que la forme des bords tranchants sur le dessus de la barre de guidage correspond à celle du pictogramme des bords tranchants sur le boîtier. Si elles sont orientées dans des sens opposés, remontez la chaîne de la scie sur la barre de guidage avec les flèches orientées dans le même sens.



- 7. Maintenez d'une main la barre et la chaîne parallèles à la surface de montage.**

Fixez le cache latéral sur le boîtier de manière à ce que les trous/goupilles et le boulon de fixation/trou de filetage soient alignés les uns sur les autres correctement. Pressez le cache latéral vers le boîtier, puis serrez l'écrou de fixation du cache (Fig. 2e).

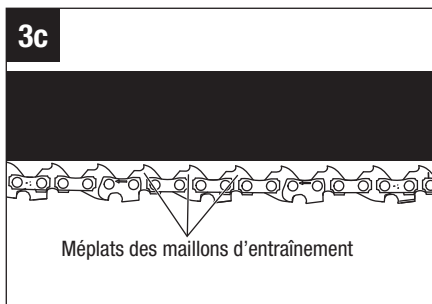
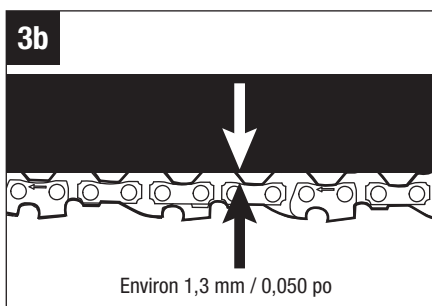
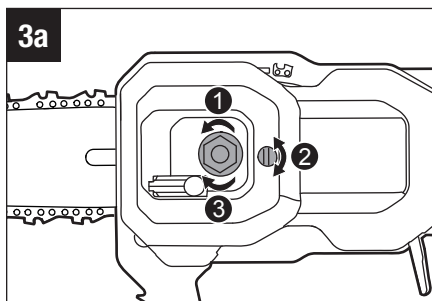
REMARQUE : Si la chaîne est trop lâche ou trop tendue, réglez la tension de la chaîne en suivant les instructions de la section intitulée « **RÉGLAGE DE LA TENSION DE LA CHAÎNE DE LA SCIE** ».

8. Faites tourner la chaîne à la main pour vérifier que la chaîne est correctement assemblée et qu'elle ne se coince pas. Sinon, réassemblez la chaîne et la barre.

RÉGLAGE DE LA TENSION DE LA CHAÎNE DE LA SCIE (Fig. 3)

1. Retirez le bloc-piles.
2. Utilisez la clé multifonctionnelle pour desserrer l'écrou de fixation du cache jusqu'à ce que la barre de guidage puisse être déplacée librement.
3. Utilisez la clé multifonctionnelle afin de faire tourner la vis de réglage de la tension dans le sens des aiguilles d'une montre pour tendre la chaîne ou dans le sens inverse pour la détendre.
4. Faites tourner manuellement la chaîne pour vérifier qu'elle fonctionne sans problème.
5. Serrez l'écrou de fixation du cache (Fig. 3a).

- Pendant le fonctionnement normal de la scie, la température de la chaîne augmente. Les maillons d'entraînement d'une chaîne chaude correctement tendue dépassent d'environ 1,3 mm / 0,050 po la rainure de la barre de guidage (Fig. 3b).
- Une chaîne froide est correctement tendue lorsqu'il n'y a pas d'affaissement sur la face inférieure de la barre de guidage et quand la chaîne est bien serrée, mais en pouvant être tournée à la main sans se bloquer. La chaîne doit être retendue chaque fois que les méplats des maillons d'entraînement ne se trouvent pas dans la rainure de la barre (Fig. 3c).

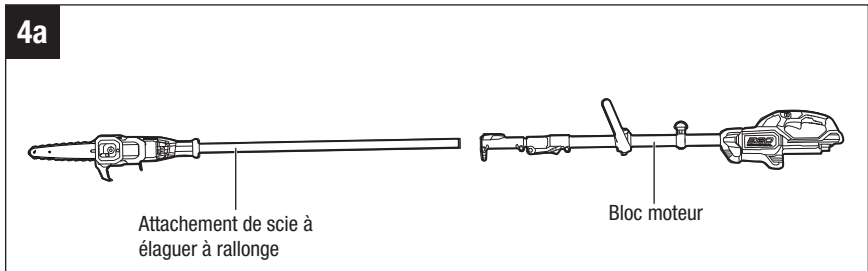


AVIS : Comme les chaînes neuves ont tendance à s'étirer, vérifiez fréquemment la tension de la chaîne, et ajustez-la si nécessaire.

AVIS : Une chaîne tendue lorsqu'elle est chaude peut être trop serrée lorsqu'elle refroidit. Vérifiez la tension à froid avant la prochaine utilisation.

CONNEXION DE L'ATTACHEMENT DE LA SCIE À ÉLAGUER À RALLONGE AU BLOC MOTEUR (Fig. 4)

Cette scie à élaguer à rallonge fonctionne comme une combinaison de l'attache-ment de scie à élaguer à rallonge et du bloc moteur (Fig. 4a).



⚠ AVERTISSEMENT : Ne fixez ou n'ajustez jamais un attache-ment lorsque le bloc moteur est en marche ou lorsque le bloc-piles est installé. Si vous n'arrêtez pas le moteur et ne retirez pas le bloc-piles, vous risquez de vous blesser gravement.

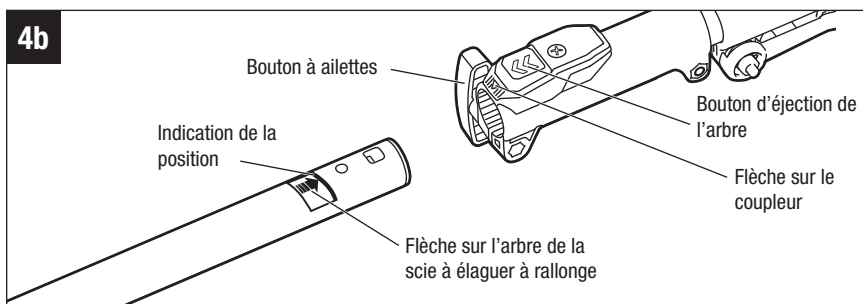
L'attache-ment de scie à élaguer à rallonge est relié au bloc moteur au moyen d'un dispositif de couplage.

1. Arrêtez le moteur et retirez le bloc-piles.
2. Desserrez le bouton à ailettes du coupleur du bloc moteur.
3. Retirez le capuchon d'extrémité de l'attache-ment de la scie à élaguer à rallonge et conservez-le dans un endroit sûr en vue d'une utilisation ultérieure. Alignez la flèche sur l'arbre de la scie à élaguer à rallonge sur la flèche qui se trouve sur le coupleur et poussez l'arbre de la scie à élaguer à rallonge dans le coupleur jusqu'à ce que vous entendiez un déclic clair indiquant que l'arbre de la scie à élaguer à rallonge est monté en place. Il y a également une indication de position sur l'arbre de la scie à élaguer à rallonge pour assurer une installation correcte (Fig. 4b).
4. Tirez sur l'arbre de l'attache-ment pour vérifier qu'il est bien verrouillé dans le coupleur. Si ce n'est pas le cas, faites tourner l'arbre de la scie à élaguer à rallonge d'un côté à l'autre dans le coupleur jusqu'à ce qu'il s'enclenche en place.
5. Serrez à fond le bouton à ailettes.

⚠ AVERTISSEMENT : Assurez-vous que le bouton à ailettes est serré à fond avant de mettre l'équipement en marche ; vérifiez-le de temps en temps pour vous assurer qu'il est bien serré pendant l'utilisation de la machine pour éviter tout risque de blessure grave.

Pour retirer l'attache de scie à élaguer à rallonge du bloc moteur :

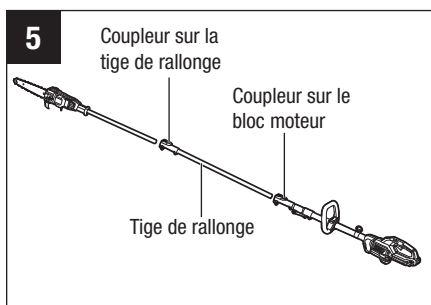
1. Arrêtez le moteur et retirez le bloc-piles.
2. Desserrez le bouton à ailettes.
3. Appuyez sur le bouton d'éjection de l'arbre et, avec le bouton enfoncé, tirez ou tournez l'arbre de la scie à élaguer à rallonge pour le faire sortir du coupleur afin de le séparer du bloc moteur.



CONNEXION DE LA TIGE DE RALLONGE ENTRE LE BLOC-MOTEUR ET L'ATTACHEMENT DE LA SCIE À ÉLAGUER À RALLONGE (Fig. 5)

⚠ AVERTISSEMENT : Ne fixez ou n'ajustez jamais un attachement lorsque le bloc moteur est en marche ou lorsque le bloc-piles est installé. Si vous n'arrêtez pas le moteur et ne retirez pas le bloc-piles, vous risquez de vous blesser gravement.

Cette tige de rallonge est conçue pour être utilisée uniquement avec le produit EGO PS1000/ PS1000-FC/ PSX2510/ PSX2510-FC. Ne l'utilisez jamais avec d'autres attachements EGO.



La tige de rallonge augmente la longueur de la machine de 1 m / 3,3 pi, ce qui prolonge la portée de coupe. Il doit être connecté entre l'attache de la scie à élaguer à rallonge et le bloc moteur. **Deux tiges de rallonge au maximum peuvent être utilisées sur une machine.**

Suivez la procédure décrite dans la section intitulée « **CONNEXION DE L'ATTACHEMENT DE LA SCIE À ÉLAGUER À RALLONGE ET LE BLOC MOTEUR** » pour installer la rallonge entre l'attache de la scie à élaguer à rallonge et le bloc moteur.

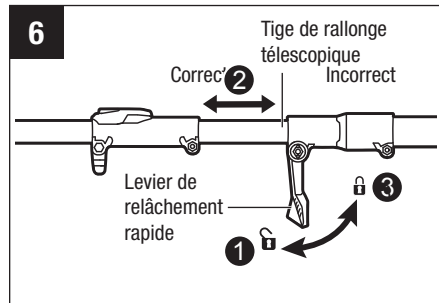
AVIS : Une fois assemblés correctement, l'attache de scie à élaguer à rallonge, la tige de rallonge et le bloc moteur ne doivent pas se séparer lorsqu'on les tire. Testez toujours la connexion en tirant dessus. Répétez les étapes ci-dessus si les pièces peuvent être séparées pendant le test.

⚠ DANGER : Si vous ne sécurisez pas l'attache et le bloc moteur/la tige de rallonge comme indiqué ci-dessus, vous risquez de vous blesser gravement ou même de mourir.

Pour retirer la tige de rallonge, suivez les instructions du chapitre « **Pour retirer l'attache de la scie à élaguer à rallonge du bloc moteur** » dans la section intitulée « **CONNEXION DE L'ATTACHEMENT DE SCIE À ÉLAGUER À RALLONGE AU BLOC MOTEUR** ».

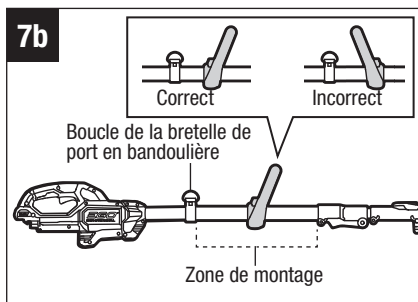
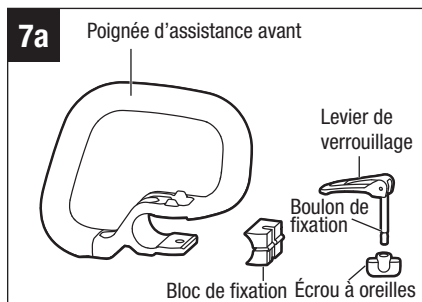
RÉGLAGE DE LA TIGE DE RALLONGE TÉLESCOPIQUE (Fig. 6)

1. Soulevez le levier de relâchement rapide pour déverrouiller la tige de rallonge télescopique.
2. Allongez la rallonge télescopique jusqu'à la longueur désirée.
3. Appuyez sur le levier de relâchement rapide pour verrouiller la tige de rallonge télescopique de façon sécurisée.

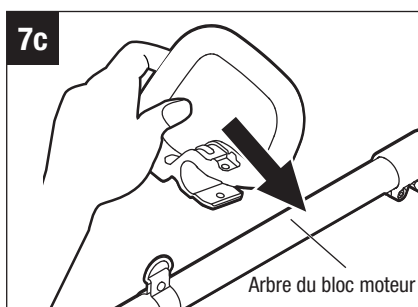


MONTAGE ET RÉGLAGE DE LA POIGNÉE D'ASSISTANCE AVANT SI NÉCESSAIRE (Fig. 7)

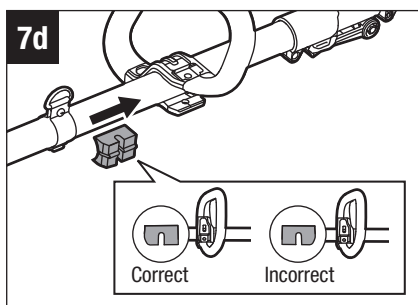
1. Arrêtez le moteur et retirez le bloc-piles.
2. Desserrez l'écrou à oreilles et retirez-le avec le boulon de fixation et le levier de verrouillage de la poignée d'assistance avant (Fig. 7a).



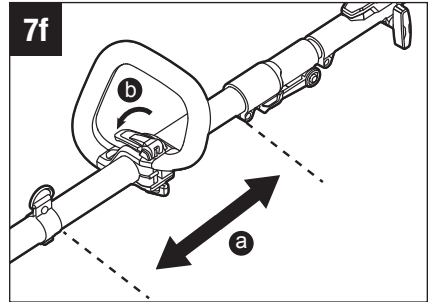
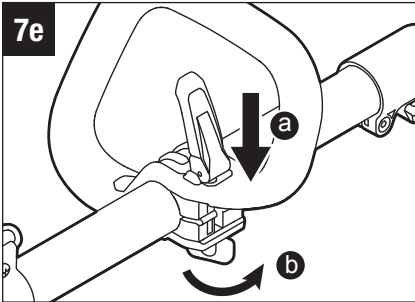
3. Positionnez l'inclinaison de la poignée d'assistance vers l'avant, vers l'extrémité de sciage de la machine (Fig. 7b). Appuyez la poignée contre l'arbre du bloc moteur dans la zone de montage entre la boucle de la bretelle de port en bandoulière et le manchon de la tige de rallonge télescopique (Fig. 7c).



4. Alignez correctement le bloc de fixation sur la fente de la poignée, puis insérez le bloc de fixation (Fig. 7d).

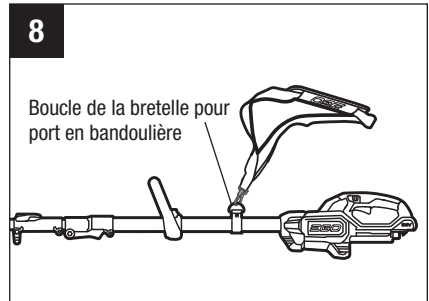


5. Montez le levier de verrouillage mais n'appuyez pas sur le levier de verrouillage, puis pré-serrez l'écrou à oreilles (Fig. 7e).
6. Ajustez la position de la poignée d'assistance avant de façon à ce qu'elle soit placée dans la zone de montage, comme illustré à la Fig. 7f) La poignée doit être ajustée de façon à ce que votre bras puisse être droit lorsque vous utilisez la scie à élaguer à rallonge.
7. Appuyez sur le levier de verrouillage pour empêcher la poignée d'assistance avant de tourner ou de se déplacer le long de l'arbre du bloc moteur (Fig. 7f).



FIXATION DE LA BRETELLE POUR PORT EN BANDOULIÈRE (Fig. 8)

Pour une utilisation sûre et confortable, mettez la bretelle pour port en bandoulière en travers de l'épaule afin de soulager le poids sur les bras de l'opérateur. Appuyez sur le mousqueton pour l'ouvrir, et accrochez le mousqueton à la boucle de la bretelle pour port en bandoulière. Réglez la longueur de la bretelle pour port en bandoulière afin d'obtenir une position de travail confortable.



⚠ AVERTISSEMENT : En cas d'urgence, enlevez immédiatement la sangle de votre épaule pour éviter toute blessure.

FONCTIONNEMENT

⚠ AVERTISSEMENT : Ne coupez jamais à proximité de lignes électriques, de cordons d'alimentation ou d'autres sources d'électricité. Si la barre et la chaîne se coincent sur un cordon d'alimentation ou un fil électrique, **NE TOUCHEZ PAS LA BARRE, LA CHAÎNE OU LA TIGE DE RALLONGE ! ELLES POURRAIENT ÊTRE CONDUCTRICES D'ÉLECTRICITÉ ET CECI POURRAIT CRÉER UNE SITUATION TRÈS DANGEREUSE.** Continuez à tenir la scie à élaguer à rallonge par sa poignée arrière isolée, ou posez-la sur le sol aussi loin de vous que possible en prenant toutes les précautions appropriées. Déconnectez l'alimentation électrique de la ligne ou du cordon endommagé avant de tenter de détacher la lame de la ligne ou du cordon. Tout contact avec la barre, la chaîne, d'autres parties conductrices de la scie à élaguer à rallonge ou des lignes électriques ou cordons d'alimentation sous tension causera la mort par électrocution ou une blessure grave.

⚠ AVERTISSEMENT : Ne laissez pas l'habitude de l'utilisation de ce produit vous empêcher de prendre toutes les précautions requises. N'oubliez jamais qu'une fraction de seconde d'inattention suffit pour entraîner de graves blessures

⚠ AVERTISSEMENT : Utilisez toujours des lunettes de protection ou des lunettes de sécurité avec des écrans latéraux indiquant qu'elles sont conformes à la norme ANSI Z87.1. Si vous ne portez pas un tel équipement de protection des yeux, vous pourriez subir des blessures graves, y compris en conséquence de la projection d'objets dans vos yeux..

⚠ AVERTISSEMENT : Retirez toujours le bloc-piles de ce produit lorsque vous assemblez des pièces, effectuez des réglages, faites un nettoyage ou n'utilisez pas le produit. Le retrait du bloc-piles empêchera une mise en marche accidentelle qui risquerait de causer des blessures graves.

⚠ AVERTISSEMENT : N'utilisez pas d'attachements ou d'accessoires qui ne sont pas recommandés par le fabricant de ce produit. L'utilisation d'attachements ou d'accessoires qui ne sont pas recommandés peut causer des blessures graves.

Avant chaque utilisation, inspectez périodiquement l'intégralité du produit pour vous assurer qu'il n'y a pas de pièces endommagées, manquantes ou desserrées comme des vis, des écrous, des boulons, des capuchons, etc. Serrez à fond tous les dispositifs de fixation et capuchons, et ne vous servez pas de ce produit avant que toutes les pièces manquantes ou endommagées aient été remplacées.

APPLICATION

Vous pouvez utiliser ce produit pour faire ce qui suit :

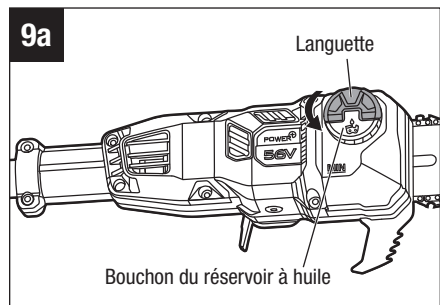
- Ébranchage
- Élagage

REPLISSAGE DU RÉSERVOIR À HUILE AVEC UN LUBRIFIANT POUR BARRES ET CHÂÎNES (Fig. 9)

⚠ AVERTISSEMENT : Ne fumez pas et ne transportez pas de flamme ou de feu à proximité de l'huile ou de la scie à élaguer à rallonge. De l'huile pourrait se renverser et causer un incendie.

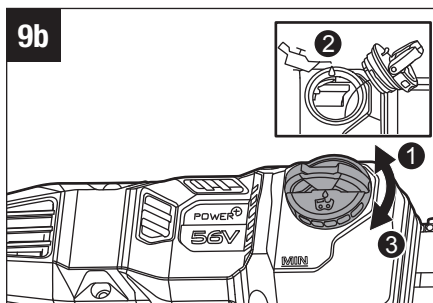
AVIS : La scie à élaguer à rallonge n'est pas remplie d'huile au moment de l'achat. Il est essentiel de remplir le réservoir d'huile pour chaîne avant de commencer à utiliser la scie. L'utilisation de la scie à élaguer à rallonge sans huile pour chaîne ou lorsque le niveau d'huile est inférieur au repère « MIN » causera un endommagement de la scie à élaguer à rallonge. La durée de vie de la chaîne et sa capacité de coupe dépendent d'une lubrification optimale. La chaîne est automatiquement lubrifiée avec de l'huile de chaîne pendant le fonctionnement, s'il y a suffisamment d'huile dans le réservoir. Le niveau d'huile doit également être vérifié toutes les 20 minutes d'utilisation, et le réservoir doit être rempli à nouveau si nécessaire.

1. Détachez le bloc-piles du bloc moteur.
2. Nettoyez le bouchon du réservoir à huile et la zone adjacente pour vous assurer qu'il n'y aura pas de saletés qui pourraient tomber dans le réservoir à huile.
3. Posez la scie à élaguer à rallonge sur une surface ferme et plate, de telle sorte que le bouchon du réservoir à huile soit orienté vers le haut.



4. Soulevez la languette du bouchon du réservoir à huile (Fig. 9a).
5. Utilisez la languette pour faire tourner le bouchon du réservoir à huile dans le sens contraire des aiguilles d'une montre afin de pouvoir le retirer.

6. Versez avec précaution l'huile pour barre et chaîne dans le réservoir jusqu'à ce qu'il soit rempli jusqu'à son col. Faites attention de ne pas laisser de l'huile sortir de l'ouverture. Essuyez tout excédent d'huile.
7. Installez le bouton du réservoir d'huile et tournez le bouton pour le serrer (Fig. 9b).
8. Fermez le bouchon du réservoir à huile.



AVIS :

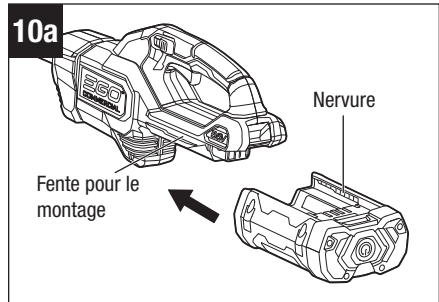
- Utilisez un lubrifiant pour barre et chaîne autorisé par EGO (Modèle n° AOL3200 ou AOL1000) pour obtenir les meilleurs résultats. Il est conçu spécialement pour produire peu de frottements et permettre des coupes rapides.
- N'utilisez jamais de l'huile ou d'autres lubrifiants qui ne sont pas conçus spécifiquement pour une utilisation sur des barres et des chaînes. Ceci pourrait causer une obstruction du système d'huile, qui risquerait d'entraîner une usure prématurée de la barre et de la chaîne.
- Vérifiez fréquemment le niveau d'huile et faites l'appoint si nécessaire.
- N'utilisez pas d'huile sale, usagée ou contaminée par ailleurs. Ceci pourrait endommager la barre ou la chaîne.
- Il est normal que de l'huile suinte de la scie quand celle-ci n'est pas utilisée. Pour empêcher de tels suintements, vidangez l'huile du réservoir après chaque utilisation, puis laissez fonctionner la scie à vide pendant une minute. Lorsque vous rangez la machine et pensez ne pas l'utiliser pendant une période prolongée, assurez-vous que la chaîne est légèrement lubrifiée ; ceci évitera que de la rouille n'apparaisse sur les pignons d'entraînement de la barre et de la chaîne.
- Pour préserver les ressources naturelles, veuillez recycler ou éliminer l'huile conformément aux règlements applicables. Consultez votre service municipal responsable de la gestion des déchets pour déterminer quelles sont les options de recyclage et/ou d'élimination possibles.

INSTALLATION/RETRAIT DU BLOC-PILES (Fig. 10)

REMARQUE : Chargez complètement le bloc-piles avant de vous en servir pour la première fois.

Installation du bloc-piles (Fig. 10a)

1. Alignez les nervures du bloc-piles sur les fentes de montage de l'orifice conçu pour les piles dans le bloc moteur.
2. Faites glisser le bloc-piles contre le bloc-moteur jusqu'à ce qu'il s'enclenche à sa place.



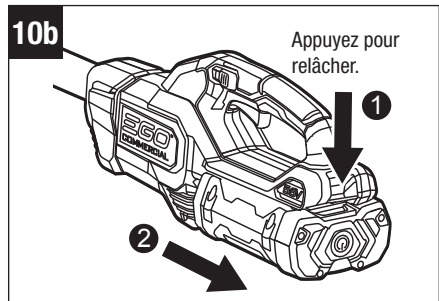
⚠ AVERTISSEMENT : Assurez-vous

que le loquet de verrouillage sur le bloc moteur est bien en place et que le bloc-piles est bien assujéti au bloc moteur avant de commencer à l'utiliser. Si le bloc-piles n'est pas bien fixé en place, il risque de tomber et de provoquer des blessures graves.

Retrait du bloc-piles (Fig. 10b)

⚠ AVERTISSEMENT : Contrôlez toujours la position de vos pieds et les endroits où se trouvent les enfants et les animaux domestiques avant d'appuyer sur le bouton d'éjection du bloc-piles. La chute du bloc-piles pourrait causer des blessures graves. Ne retirez JAMAIS le bloc-piles lorsque vous vous trouvez à un endroit surélevé.

1. Tenez le bloc-piles dans la paume de votre main.
2. Appuyez sur le bouton d'éjection des piles avec votre pouce ; le bloc-piles se détachera alors du loquet de verrouillage.
3. Saisissez le bloc-piles et retirez-le du bloc moteur.



⚠ AVERTISSEMENT : Pour éviter toute blessure grave, retirez toujours le bloc-piles et gardez les mains à l'écart du levier de verrouillage en position désactivée et de l'interrupteur à gâchette lorsque vous portez ou transportez la machine.

MISE EN MARCHE/ARRÊT DE LA MACHINE (Fig. 11)

⚠ AVERTISSEMENT : N'UTILISEZ JAMAIS LE BLOC MOTEUR SANS ATTACHEMENT INSTALLÉ. N'essayez pas de démarrer le bloc moteur avant de l'avoir connecté à l'attache de scie à élaguer à rallonge.

Mise en marche de la scie à élaguer à rallonge

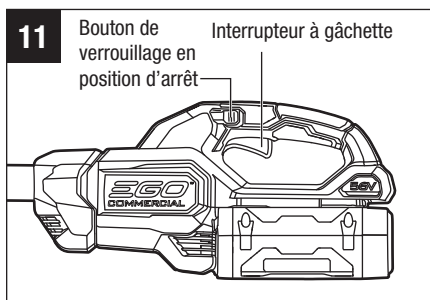
1. Installez le bloc-piles.
2. Assurez-vous qu'il n'y a pas dans les environs immédiats d'objets ou d'obstructions qui pourraient entrer en contact avec la barre et la chaîne.
3. Saisissez fermement la poignée d'assistance avant et la poignée arrière en utilisant les deux mains.
4. Appuyez sur le bouton de verrouillage en position désactivée et maintenez-le enfoncé, puis appuyez sur l'interrupteur à gâchette pour faire démarrer la scie. Relâchez le bouton de verrouillage en position d'arrêt et continuez à comprimer l'interrupteur à gâchette pour que la machine continue à fonctionner.

⚠ AVERTISSEMENT : Ne tentez jamais de mettre la scie en marche lorsque la chaîne de la scie est au milieu d'une coupe ou en contact avec une autre surface.

Arrêt de la scie à élaguer à rallonge

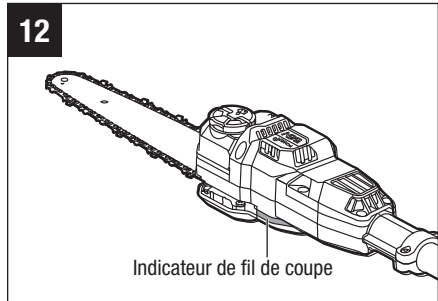
Éloignez la scie à élaguer à rallonge de la zone de coupe, puis relâchez l'interrupteur à gâchette pour arrêter la scie à élaguer à rallonge.

⚠ AVERTISSEMENT : Retirez toujours le bloc-piles du bloc moteur pendant les pauses et après avoir fini votre travail.



INDICATEUR DE FIL DE COUPE (Fig. 12)

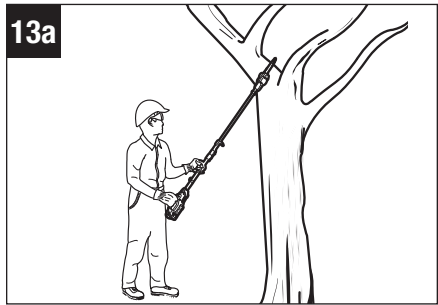
L'indicateur de fil de coupe est situé à l'avant de l'attachement de scie à élaguer à rallonge, en ligne avec la chaîne de scie. L'indicateur de fil de coupe est conçu pour aider l'utilisateur à comprendre exactement où se trouvent la barre et la chaîne par rapport à la branche ou au branchage à couper.



TRAVAIL AVEC LA MACHINE (Fig. 13)

Préparation pour la coupe

1. Retirez le bloc-piles.
2. Assurez-vous que la chaîne est correctement assemblée et que sa tension est appropriée.
3. Inspectez le cache latéral pour vous assurer qu'il est contre la barre de guidage et la chaîne de scie sans aucun relâchement, ni dommage.
4. Vérifiez le niveau de l'huile et remplissez le réservoir selon les besoins. Assurez-vous que la chaîne est bien lubrifiée.
5. Vérifiez les dents de coupe de la chaîne de la scie pour vous assurer qu'elles sont bien affûtées.
6. Tenez toujours la scie à élaguer à rallonge avec les deux mains : la main droite placée sur la poignée arrière et la main gauche sur la poignée d'assistance avant.
7. Assurez-vous que vous êtes solidement sur vos pieds et bien équilibré(e). Assurez-vous qu'il n'y a pas d'obstacles tels que des souches de troncs d'arbres, des racines et des fossés qui pourraient vous faire trébucher ou tomber.
8. Assurez-vous que la chaîne de la scie ne touche pas le sol ou de quelconques autres objets.
9. Assurez-vous que la longueur de l'objet à couper ne dépasse pas la longueur de coupe utilisable de la scie à élaguer à rallonge. Le pointe de la barre de guidage doit toujours être gardée à l'extérieur de la branche à couper.



Procédure de coupe de base

REMARQUE : Exercez-vous en coupant quelques petites branches en utilisant la technique suivante pour vous habituer à l'utilisation de votre scie avant de commencer une opération de sciage importante.

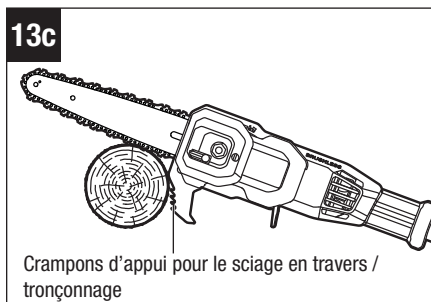
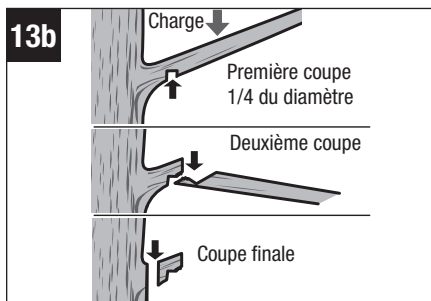
Suivez les étapes ci-dessous pour ne pas endommager l'écorce de l'arbre ou de l'arbuste. N'utilisez pas un mouvement de sciage en va-et-vient (Fig. 13b).

1. Faites une coupe initiale peu profonde (1/4 du diamètre de la branche) sur le dessous de la branche, près de la branche principale ou du tronc.
2. Effectuez une deuxième coupe depuis le côté supérieur de la branche, vers l'extérieur par rapport à la coupe initiale. Continuez la coupe à travers la branche jusqu'à ce que la branche se sépare de l'arbre. Préparez-vous à équilibrer le poids de la machine lorsque la branche tombera.
3. Effectuez une coupe finale près du tronc.

AVIS : Pour la deuxième coupe et les coupes finales (depuis le haut de la branche), tenez les crampons d'appui pour le tronçonnage contre la branche qui doit être coupée (Fig. 13c). Ceci vous aidera à stabiliser la branche et facilitera la coupe. Laissez la chaîne couper pour vous ; n'exercez qu'une légère pression vers le bas. Si vous exercez une pression excessive, vous risquez d'endommager la barre, la chaîne ou le moteur.

4. Relâchez la gâchette de l'interrupteur dès que la coupe est terminée.

AVIS : Si vous ne suivez pas les procédures de coupe appropriées, la barre et la chaîne risquent de se coincer et d'être pincées ou bloquées dans la branche en train d'être coupée. Si cela arrive :



1. Arrêtez le moteur et retirez le bloc-piles.
2. Si vous pouvez atteindre la branche depuis le sol, soulevez la branche tout en continuant à tenir la scie. Ceci devrait dégager la scie coincée et vous permettre de reprendre la coupe.
3. Si la scie est toujours coincée, contactez un professionnel pour obtenir de l'assistance.

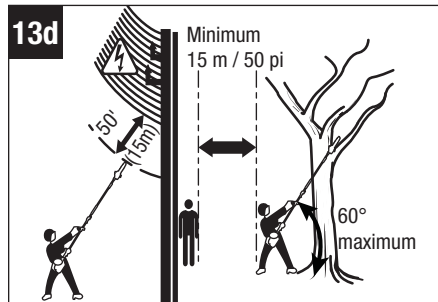
Abattage et élagage

Cette scie à élaguer à rallonge est conçue pour couper les petites branches et brindilles d'un diamètre ne dépassant pas 20 cm / 8 po. Observez les précautions suivantes pour obtenir les meilleurs résultats possibles :

- Planifiez attentivement la coupe. Tenez compte du sens de la chute de la branche.

⚠ AVERTISSEMENT : Les branches peuvent tomber dans des directions inattendues. Ne vous tenez pas directement en dessous de la branche que vous êtes en train de couper.

- L'application de coupe la plus courante consiste à positionner la scie à élaguer à rallonge à un angle de 60° ou moins, en fonction de la situation particulière, comme illustré à la Fig. 13d. Plus l'angle de l'arbre de la scie à élaguer à rallonge augmente par rapport au sol, plus il est difficile de faire la première coupe (depuis le dessous de branche).



- Retirez les branches longues en plusieurs étapes.
- Coupez les branches les plus basses en premier afin de laisser plus de place aux branches du haut pour tomber.
- Travaillez lentement, en gardant fermement les deux mains sur la scie. Maintenez votre équilibre avec les deux pieds sur le sol à tout moment.
- Gardez l'arbre entre la chaîne et vous pendant que vous coupez des branches. Coupez depuis le côté de l'arbre qui est à l'opposé de la branche que vous êtes en train de couper.
- Ne montez pas sur une échelle pour couper ; ceci serait extrêmement dangereux. Laissez de telles opérations aux professionnels.

- Ne faites pas de coupe à ras à côté de la branche principale ou du tronc avant d'avoir coupé la plus grande partie de la branche afin d'en réduire le poids. Si vous suivez les procédures de coupe appropriées, vous ne dénuderez pas l'écorce de membre principal.
- N'utilisez pas la scie à élaguer à rallonge pour abattre des arbres ou les tronçonner.
- Pour ne pas risquer de vous faire électrocuter, n'utilisez pas cet équipement à moins de 15 m / 50 pi de lignes électriques surélevées (Fig. 13d).
- Demandez aux autres personnes présentes de se tenir à au moins 15 m / 50 pi de distance (Fig. 13d).

MAINTENANCE

⚠ AVERTISSEMENT : Lors de toute réparation, n'utilisez que des pièces de rechange identiques. L'utilisation de toutes autres pièces pourrait créer un danger ou endommager le produit. Pour assurer la sécurité et la fiabilité, toutes les réparations doivent être effectuées par un technicien de service qualifié.

⚠ AVERTISSEMENT : Il n'est pas nécessaire de brancher les machines alimentées par des piles dans une prise de courant ; elles sont toujours en état de fonctionnement. Pour éviter tout risque de blessure grave, prenez des précautions supplémentaires lorsque vous effectuez une opération d'entretien ou de maintenance, ou lorsque vous changez l'attachement de coupe ou d'autres attachements.

⚠ AVERTISSEMENT : Pour éviter tout risque de blessure grave, retirez le bloc-piles du bloc moteur avant de le réparer ou de le nettoyer, de changer des attachements, ou lorsque le produit n'est pas utilisé.

⚠ AVERTISSEMENT : Utilisez toujours un équipement de protection des yeux avec écrans latéraux indiquant qu'il est conforme à la norme ANSI Z87.1. Si vous ne portez pas un tel équipement de protection, vous pourriez subir des blessures graves, y compris en conséquence de la projection d'objets dans vos yeux.

MAINTENANCE GÉNÉRALE

Évitez d'utiliser des solvants lorsque vous nettoyez des pièces en plastique. La plupart des plastiques sont susceptibles d'être endommagés par divers types de solvants commerciaux, et ils pourraient l'être si vous les utilisez. Utilisez des chiffons propres pour retirer les saletés, la poussière, l'huile, la graisse, etc.

⚠ AVERTISSEMENT : Ne laissez jamais de liquide de frein, d'essence, de produits à base de pétrole, d'huiles pénétrantes, etc. entrer en contact avec des composants en plastique. Les produits chimiques peuvent endommager, affaiblir ou détruire le plastique, ce qui pourrait causer des blessures graves.

⚠ AVERTISSEMENT : Lors du nettoyage de la scie à à élaguer à rallonge, NE l'immergez PAS dans l'eau ou dans d'autres liquides.

NETTOYAGE

- Après chaque utilisation, nettoyez les débris de la chaîne de la scie et de la barre de guidage avec une brosse non abrasive. Essuyez la surface de l'outil en utilisant un tissu propre humidifié avec une solution de savon doux.

- Retirez le cache latéral, puis utilisez une brosse non abrasive pour éliminer les débris de la barre de guidage, de la chaîne de la scie, du pignon et du cache latéral.
- Nettoyez toujours les copeaux de bois, la sciure et les saletés de la rainure de la barre de guidage lorsque vous remplacez la chaîne de la scie.
- Toutes les opérations d'entretien de la scie à élaguer à rallonge, à l'exception de celles qui sont mentionnées dans ces instructions de maintenance, doivent être effectuées par des techniciens qualifiés pour la réparation d'une scie à élaguer à rallonge.

REPLACEMENT DE LA BARRE ET LA CHAÎNE DE LA SCIE

⚠ AVERTISSEMENT : Portez toujours des gants lorsque vous manipulez la barre et la chaîne ; ces composants sont tranchants et peuvent avoir des irrégularités.

⚠ AVERTISSEMENT : Ne touchez ou n'ajustez jamais la chaîne pendant que le moteur est en marche. La chaîne de la scie est très tranchante ; portez toujours des gants de protection lorsque vous effectuez l'entretien de la chaîne.

Lors du remplacement de la barre de guidage et de la chaîne, utilisez toujours la combinaison spécifiée dans la section intitulée « **ACCESSOIRES RECOMMANDÉS** ».

1. Retirez la pile et laissez la scie refroidir. Assurez-vous que le bouchon du réservoir à huile est bien serré pour empêcher toute fuite d'huile.
2. Positionnez la scie à élaguer à rallonge sur son côté sur une surface ferme et plate, de telle sorte que le cache latéral soit orienté vers le haut.
3. Portez des gants. Retirez le cache latéral en tournant l'écrou de fixation du cache dans le sens inverse des aiguilles d'une montre à l'aide de la clé multifonctionnelle. Nettoyez le cache latéral avec un tissu sec.
4. Retirez la barre et la chaîne usées de la surface de montage.
5. Installez la nouvelle barre de guidage et la nouvelle chaîne de scie en suivant les instructions d'« **ASSEMBLAGE DE LA BARRE DE GUIDAGE ET DE LA CHAÎNE DE SCIE** » de la section intitulée « **ASSEMBLAGE** ».

AVIS : C'est le moment d'inspecter le pignon d'entraînement pour déceler toute usure excessive ou tout dommage.

MAINTENANCE DE LA CHAÎNE

⚠ AVERTISSEMENT : Portez des gants de protection épais lorsque vous manipulez la chaîne de scie. La chaîne est tranchante et peut contenir des irrégularités.

N'utilisez que des chaînes à faible rebond sur cette scie. Cette chaîne à coupe rapide permet de réduire les rebonds lorsqu'elle est correctement entretenue.

Une chaîne de scie affûtée correctement coupe le bois sans effort, même avec très peu de pression.

N'utilisez jamais une chaîne de scie émoussée ou endommagée. Une scie à chaîne émoussée entraîne des contraintes physiques accrues, une charge vibratoire augmentée, des résultats de coupe qui ne sont pas satisfaisants, ainsi qu'une usure accrue.

La chaîne de la scie doit être entretenue de façon appropriée pour produire des coupes lisses et rapides. Lorsque les copeaux de bois sont petits et poudreux, quand la chaîne doit être poussée avec force à travers le bois pendant la coupe ou si la chaîne coupe sur un côté, cela signifie que la chaîne doit être réaffûtée. Lors de l'entretien de votre chaîne de scie, tenez compte des points suivants :

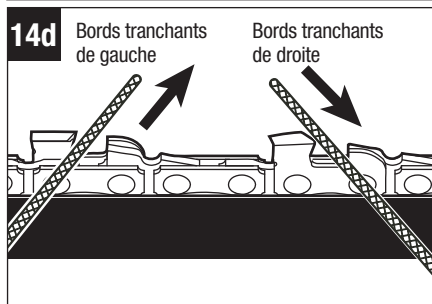
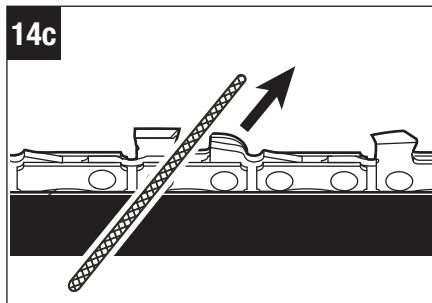
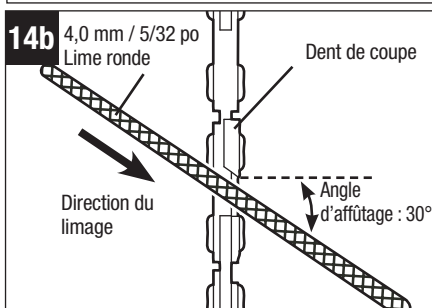
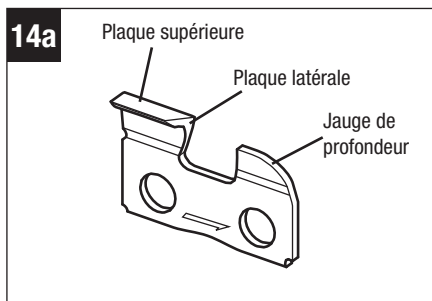
- Un angle de limage incorrect de la plaque latérale peut augmenter le risque d'un violent rebond.
- Espace libre pour le râteau (jauge de profondeur). Un niveau trop bas augmente le risque de rebond. Un niveau pas assez bas réduit la capacité de coupe.
- Si les dents du bord tranchant ont heurté des objets durs, tels que des clous ou des pierres, ou si elles ont été abrasées par de la boue ou du sable se trouvant sur le bois, faites réaffûter la chaîne par un technicien / réparateur qualifié.

AVIS : Lors du remplacement de la chaîne, vérifiez que le pignon d'entraînement n'est pas usé ou endommagé. Si des signes d'usure ou de dommages sont présents dans les zones indiquées, faites remplacer le pignon d'entraînement par un technicien / réparateur qualifié.

Comment réaffûter les bords tranchants (Fig. 14)

Affûtez tous les bords tranchants (Fig. 14a) aux angles spécifiés et de la même longueur, étant donné qu'il n'est possible de couper rapidement que lorsque tous les bords des éléments tranchants sont uniformes.

1. Retirez le bloc-piles. Portez des gants pour vous protéger les mains.
2. Assurez-vous que la chaîne est correctement assemblée et que sa tension est appropriée.
3. Utilisez une lime ronde de 4,0 mm / 5/32 po de diamètre et un support (disponibles séparément). Effectuez tout votre limage depuis la position centrale de la barre de guidage.
4. Maintenez la lime au niveau de la plaque supérieure de la dent. Ne laissez pas la lime plonger ou basculer.
5. Gardez un angle d'affûtage correct de 30° entre la lime et la chaîne de la scie (voir Fig. 14b & 14c). Utilisez toujours un porte-lime (disponible séparément) lorsque vous affûtez des chaînes de scie à la main. Les porte-limes ont des repères conçus pour indiquer l'angle d'affûtage.
6. En exerçant une pression légère mais ferme, effectuez un mouvement vers le coin avant de la dent. Soulevez la lime pour l'éloigner de l'acier à chaque retour.



7. Donnez quelques coups fermes sur chaque dent. Limez tous les éléments tranchants de gauche dans un sens. Passez ensuite de l'autre côté et limez les éléments tranchants de droite dans le sens inverse. De temps en temps, retirez la limaille de la lime avec une brosse métallique (Fig. 14d).

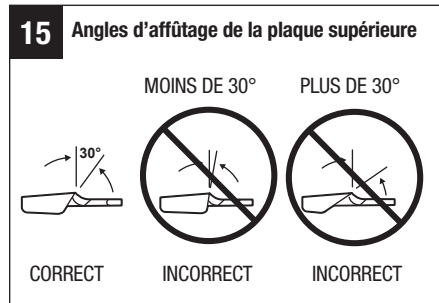
⚠ AVERTISSEMENT : Une chaîne émoussée ou mal affûtée peut provoquer une vitesse excessive du moteur pendant la coupe, ce qui peut entraîner de graves dommages au moteur.

⚠ AVERTISSEMENT : Un mauvais affûtage de la chaîne augmente le risque de rebond.

⚠ AVERTISSEMENT : Le fait de ne pas remplacer ou de ne pas réparer une chaîne endommagée peut causer de graves blessures.

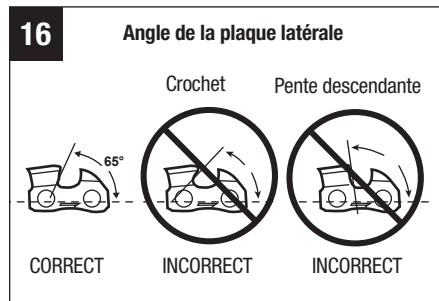
Angles d'affûtage de la plaque supérieure (Fig. 15)

- **CORRECT 30°** - Cet angle optimal ne peut être obtenu que si les limes spécifiées et le réglage approprié sont utilisés. Les porte-limes sont munis de marques de guidage permettant d'aligner correctement la lime afin de produire l'angle correct de la plaque supérieure.
- **MOINS DE 30°** - La dent est trop émoussée pour pouvoir couper.
- **PLUS DE 30°** - Le bord de la dent de coupe est aminci et s'émousse rapidement.



Angle de la plaque latérale (Fig. 16)

- **CORRECT 65°** - L'angle optimal peut être produit automatiquement si la lime de diamètre correct est utilisée dans le porte-lime.
- **CROCHET** - « S'accroche » et s'émousse rapidement. Augmente le potentiel d'EFFET DE REBOND. Résultat de l'utilisation d'une lime dont le diamètre est trop petit, ou d'une lime tenue trop bas.



- **PENTE ARRIÈRE** - Nécessite trop de pression d'alimentation, provoque une usure excessive de barre et de la chaîne. Résulte de l'utilisation d'une lime dont le diamètre est trop grand, ou d'une lime tenue trop haut.

Espace libre pour la jauge de profondeur (Fig. 17)

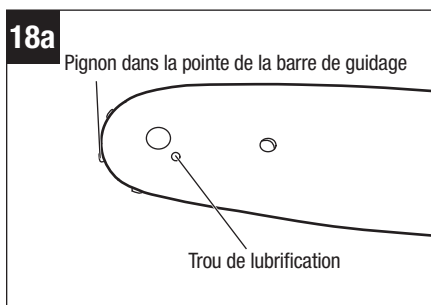
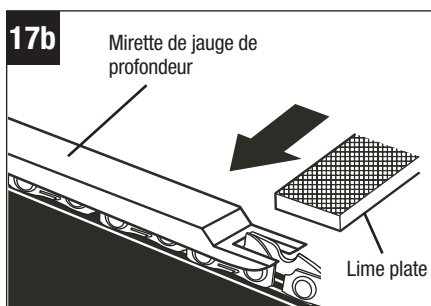
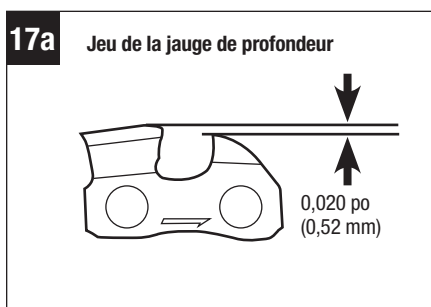
1. La jauge de profondeur doit être maintenue à un écart de 0,52 mm / 0,020 po, comme indiqué à la Fig. 17a. Utilisez une machine à jauge de profondeur (disponible séparément) afin de pouvoir vérifier les espaces libres pour la jauge de profondeur.
2. Vérifiez l'espace libre pour la jauge de profondeur chaque fois que la chaîne est limée.

Utilisez une lime plate et une dégauchisseuse pour jauge de profondeur (toutes deux disponibles séparément) pour abaisser uniformément toutes les jauges (Fig. 17b). Les dégauchisseuses pour jauge de profondeur sont disponibles de 0,5 mm à 0,9 mm / 0,020 po à 0,035 po. Utilisez une dégauchisseuse pour jauge de profondeur de 0,52 mm / 0,020 po.

Les jauges de profondeur doivent être ajustées avec la lime plate dans le même sens que la fraise adjacente a été limée avec la lime ronde. Veillez à ne pas toucher la face de la fraise avec la lime plate lors du réglage des jauges de profondeur.

ENTRETIEN DE LA BARRE DE GUIDAGE (Fig. 18)

Lorsque la barre de guidage présente des signes d'usure, inversez-la sur la scie afin de répartir l'usure pour assurer une durée de vie maximale de la barre. La barre doit être nettoyée tous les jours après son utilisation, et elle doit être inspectée pour



s'assurer qu'elle n'est pas usée ou endommagée par ailleurs. La formation de plumes ou de bavures sur les rails de la barre est un processus normal d'usure de la barre. De tels problèmes doivent être résolus à l'aide d'une lime dès qu'ils se produisent. Une barre présentant l'un des problèmes suivants doit être remplacée.

- Usure à l'intérieur des rails de la barre qui permet à la chaîne de se coucher sur le côté.
- Barre de guidage tordue.
- Rails fissurés ou cassés.
- Rails écartés.
- De plus, la barre de guidage comporte un pignon à son extrémité. Le pignon doit être lubrifié toutes les semaines à l'aide d'une seringue à graisse pour prolonger la durée de vie de la barre de guidage. Utilisez une seringue à graisse pour lubrifier chaque semaine avec de l'huile de chaîne par le biais du trou de lubrification (Fig. 18a). Retournez la barre de guidage et vérifiez que les trous de lubrification et la rainure de la chaîne sont exempts d'impuretés.

Inversion de la barre de guidage (Fig. 18b)

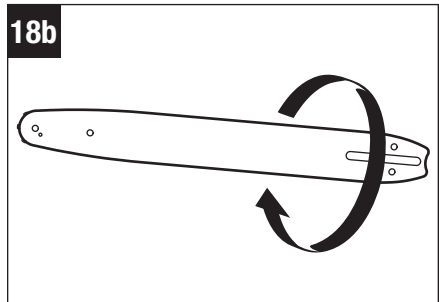
1. Retirez la barre de guidage et la chaîne de la scie à élaguer à rallonge en suivant la section intitulée « **REPLACEMENT DE LA BARRE ET DE LA CHAÎNE DE LA SCIE** ».

2. Retirez la chaîne de la barre de guidage.

3. Retournez la barre de guidage. Le bas de la barre sera visible sur le haut.

4. Remettez la chaîne sur la barre.

5. Remontez la barre de guidage et la chaîne sur la scie à élaguer à rallonge en suivant les instructions de la section intitulée « **REPLACEMENT DE LA BARRE ET DE LA CHAÎNE DE LA SCIE** ».

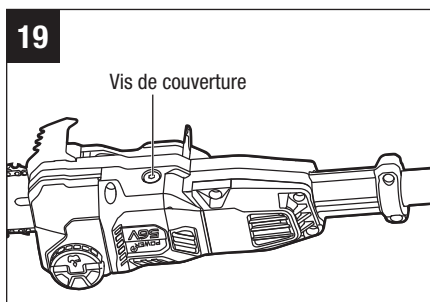


LUBRIFICATION DES ENGRENAGES DE LA BOÎTE DE VITESSES

Les engrenages de transmission dans le carter d'engrenages doivent être lubrifiés périodiquement avec de la graisse pour engrenages toutes les 50 heures de fonctionnement.

Ne remplissez pas complètement la boîte de vitesses de graisse.

1. Positionnez la scie à élaguer à rallonge sur son côté du cache des pignons sur une surface ferme et plate, de telle sorte que le cache latéral soit orienté vers le haut (Fig. 19).
2. Desserrez et retirez la vis d'injection à l'aide d'une clé Allen de 4 mm (non fournie).
3. Utilisez une seringue à graisse (non incluse) pour injecter 3-4 g / 0,0066-0,0088 lb de graisse dans le trou de vis toutes les 50 heures de fonctionnement.
4. Serrez la vis de couverture après l'injection.



TRANSPORT ET RANGEMENT

1. Ne rangez pas et ne transportez pas la scie à élaguer pendant qu'elle est en marche. Retirez toujours le bloc-piles avant de ranger ou de transporter la scie.
2. Placez toujours la gaine de la chaîne sur la barre de guidage et la chaîne avant de ranger ou de transporter l'attache de scie à élaguer à rallonge. Faites attention de ne pas toucher les dents tranchantes de la chaîne.
3. Nettoyez complètement la scie à élaguer à rallonge avant de la ranger. Rangez la scie à élaguer à rallonge à l'intérieur, dans un endroit sec qui est fermé à clé et/ou auquel les enfants ne peuvent pas avoir accès.
4. Tenez-le à distance des agents corrosifs tels que des produits chimiques de jardins et des sels pour faire fondre la glace.

RECHERCHE DE LA CAUSE DES PROBLÈMES

PROBLÈME	CAUSE	SOLUTION
Le moteur ne démarre pas.	<ul style="list-style-type: none"> ■ Le bloc-piles n'est pas attaché à la scie à élaguer à rallonge. ■ Il n'y a pas de contact électrique entre la scie et le bloc-piles. ■ Le bloc-piles est déchargé. ■ Le bouton de verrouillage en position d'arrêt n'est pas enfoncé avant d'appuyer sur la gâchette de l'interrupteur. ■ Le bloc-piles ou le bloc-moteur est trop chaud. ■ La chaîne de la scie est coincée dans le bois. ■ Présence de débris dans la rainure de la barre. ■ Présence de débris dans le cache latéral. 	<ul style="list-style-type: none"> ■ Attachez le bloc-piles à la scie à élaguer à rallonge. ■ Retirez le bloc-piles, inspectez les contacts et réinstallez le bloc-piles. ■ Chargez le bloc-piles. ■ Appuyez sur le bouton de verrouillage en position d'arrêt et maintenez-le enfoncé, puis appuyez sur l'interrupteur à gâchette pour faire démarrer la scie à élaguer à rallonge. ■ Laissez le bloc-piles ou le bloc moteur refroidir jusqu'à ce que la température descende dans la plage de températures de fonctionnement recommandées. ■ Relâchez la gâchette de l'interrupteur ; retirez la chaîne de la scie et la barre de guidage du bois, puis remettez la scie à élaguer à rallonge en marche. ■ Appuyez la chaîne de la scie contre le bois, et déplacez la scie à élaguer à rallonge d'avant en arrière pour évacuer les débris. ■ Retirez le bloc-piles, puis retirez le cache latéral, et nettoyez ensuite les débris.
Le moteur fonctionne, mais la chaîne ne tourne pas.	<ul style="list-style-type: none"> ■ La chaîne n'engage pas le pignon d'entraînement. 	<ul style="list-style-type: none"> ■ Retirez le bloc-piles et réinstallez la chaîne en veillant à ce que les maillons d'entraînement de la chaîne soient bien en place sur le pignon.
Le manche télescopique ne peut pas être verrouillé de façon sécurisée après l'enfoncement du levier de relâchement rapide.	<ul style="list-style-type: none"> ■ Le boulon et l'écrou sur le levier de relâchement rapide se sont desserrés. 	<ul style="list-style-type: none"> ■ Serrez solidement le boulon et l'écrou en utilisant deux clés à douille de 10 mm ou deux clés ajustables (non fournies).

PROBLÈME	CAUSE	SOLUTION
<p>La scie à élaguer à rallonge ne coupe pas correctement.</p>	<ul style="list-style-type: none"> ■ Tension insuffisante de la chaîne. ■ La barre et la chaîne sont de travers et ne sont pas parallèles au boîtier. ■ Chaîne émoussée. ■ Chaîne installée à l'envers. ■ Chaîne usée. ■ Chaîne sèche ou excessivement étirée. ■ La chaîne n'est pas dans la rainure de la barre. 	<ul style="list-style-type: none"> ■ Desserrez l'écrou de fixation du cache, tournez la vis de réglage de la tension dans le sens des aiguilles d'une montre jusqu'à ce que la chaîne soit correctement tendue, puis serrez à fond l'écrou de fixation du cache. ■ Retirez le bloc-piles et réinstallez la barre et la chaîne de la scie en suivant les instructions de la section intitulée « REMPLACEMENT DE LA BARRE ET DE LA CHAÎNE DE LA SCIE ». N'oubliez jamais de maintenir d'une main la barre et la chaîne parallèles à la surface de montage avant d'installer le cache latéral. ■ Affûtez les bords tranchants de la chaîne en suivant les instructions de la section intitulée « AFFÛTAGE DES BORDS TRANCHANTS ». ■ Retirez le bloc-piles et réinstallez la chaîne de la scie en suivant les instructions de la section intitulée « REMPLACEMENT DE LA BARRE ET DE LA CHAÎNE DE LA SCIE ». ■ Retirez le bloc-piles et remettez la chaîne de la scie en place en suivant les instructions de la section intitulée « REMPLACEMENT DE LA BARRE ET DE LA CHAÎNE DE LA SCIE ». ■ Vérifiez le niveau d'huile. Remplissez le réservoir à huile si nécessaire. ■ Retirez le bloc-piles et réinstallez la chaîne de la scie en suivant les instructions de la section intitulée « REMPLACEMENT DE LA BARRE ET DE LA CHAÎNE DE LA SCIE ».

PROBLÈME	CAUSE	SOLUTION
La barre et la chaîne sont très chaudes et fumantes.	<ul style="list-style-type: none">■ Le réservoir à huile de la chaîne est vide.■ Présence de débris dans la rainure de la barre de guidage.■ Les bords tranchants de la chaîne sont émoussés.	<ul style="list-style-type: none">■ Remplissez de lubrifiant pour barres et chaînes.■ Dégagez les débris qui se trouvent dans la rainure.■ Affûtez les éléments tranchants de la chaîne en suivant les instructions de la section intitulée « COMMENT AFFÛTER LES BORDS TRANCHANTS ».

GARANTIE LIMITÉE D'EGO

CONDITIONS ET DURÉE DE LA POLITIQUE DE GARANTIE

Chervon North America, Inc. (« Chervon North America ») accorde la Garantie limitée suivante pour les produits EGO à l'acheteur initial de produits EGO.

La période de garantie détaillée de chaque produit EGO est indiquée en ligne à l'adresse <http://egopowerplus.com/warranty-policy>.

Veillez contacter le Service à la clientèle d'EGO en téléphonant au 1-855-EGO-5656 (appel gratuit) à tout moment en cas de questions, si vous voulez vous prévaloir de la garantie ou si vous souhaitez obtenir une version sur papier de la garantie.

GARANTIE LIMITÉE DE SERVICE APRÈS-VENTE

Les produits EGO sont garantis contre tout défaut de matériel ou de fabrication à partir de la date d'achat au détail originale et pendant la période de garantie applicable.

Pour toute demande de garantie soumise correctement et dans les délais, si Chervon North America détermine qu'un produit est défectueux pendant la période de garantie, le produit sera réparé ou remplacé gratuitement, selon ce qui aura été déterminé par Chervon North America.

COMMENT OBTENIR DE L'ASSISTANCE DANS LE CADRE DU SERVICE APRÈS-VENTE

Pour obtenir de l'assistance dans le cadre de la garantie (pendant la période de garantie applicable), veuillez contacter le service à la clientèle d'EGO en téléphonant au **1-855-EGO-5656** (appel gratuit). Lorsque vous demandez de l'assistance dans le cadre de la garantie, vous devez présenter le reçu de vente original daté. Un centre de service après-vente agréé sera sélectionné pour évaluer et réparer le produit défectueux conformément aux conditions de garantie énoncées. Lorsque vous apportez votre produit au centre de service après-vente agréé, il se peut qu'une petite caution vous soit demandée lors du dépôt de votre outil. Cette caution est remboursable lorsque le service de réparation est considéré comme étant couvert par la garantie.

LIMITATIONS ET EXCLUSIONS SUPPLÉMENTAIRES

Cette garantie limitée ne s'applique qu'à l'acheteur initial d'un produit à un revendeur agréé EGO, et elle ne peut pas être cédée. Les produits EGO ne sont pas considérés comme défectueux et la présente garantie ne s'applique pas lorsque le défaut invoqué est imputable à une cause autre que les défauts définis ci-dessus. Cette garantie est nulle et non avenue si le produit a été utilisé à des fins de location. La présente garantie ne s'applique pas aux dommages causés par un accident, un abus, une mauvaise utilisation, une altération, une modification, une réparation non autorisée, un contact avec un liquide, un incendie, un tremblement de terre ou toute autre cause externe ; par une utilisation du produit en dehors des instructions, spécifications ou directives d'EGO ; ou par un manquement à l'entretien ou à la maintenance convenable du produit. Cette garantie ne s'applique pas non plus aux dommages esthétiques, y compris, mais sans s'y limiter, les rayures ou les bosses, ainsi qu'aux défauts causés par l'usure normale ou autrement dus au vieillissement normal du produit.

CETTE GARANTIE EXPRESSE EST DONNÉE EN LIEU ET PLACE DE TOUTE AUTRE GARANTIE, EXPRESSE OU IMPLICITE, Y COMPRIS, MAIS SANS S'Y LIMITER, TOUTE GARANTIE DE QUALITÉ MARCHANDE OU D'ADÉQUATION À UN USAGE PARTICULIER, QUI EST REJETÉE. Toute garantie implicite, y compris la garantie de qualité marchande ou d'adéquation à un usage particulier qui ne peut être rejetée en vertu de la loi de l'État ou de la province est limitée à la période de garantie applicable définie au début de cet article. Le seul et unique recours en rapport avec l'achat, l'installation, l'utilisation et/ou la performance des produits EGO est la réparation ou le remplacement du produit selon la décision de Chervon North America. La responsabilité maximale de Chervon North America ne dépassera en aucun cas le prix d'achat payé pour le produit. CHERVON NORTH AMERICA NE SERA PAS RESPONSABLE ENVERS L'UTILISATEUR OU TOUTE AUTRE PERSONNE DES DOMMAGES CONSÉCUTIFS, ACCIDENTELS, SPÉCIAUX, EXEMPLAIRES, INDIRECTS OU PUNITIFS RÉSULTANT DE L'UTILISATION DES PRODUITS, Y COMPRIS, MAIS SANS S'Y LIMITER, LES PRÉJUDICES CORPORELS, LA MORT, LES DOMMAGES MATÉRIELS, LA PERTE DE BÉNÉFICES OU TOUT AUTRE DOMMAGE ÉCONOMIQUE. Cette garantie vous confère des garanties juridiques particulières, et vous pouvez aussi avoir d'autres droits, qui varient selon l'État ou la province. Étant donné que certains États et certaines provinces ne permettent pas de limitations quant à la durée d'une garantie implicite ou ne permettent pas l'exclusion ou la limitation des dommages indirects ou secondaires, ou le délai de prescription pour intenter certaines actions, il est possible que les limitations contenues aux présentes ne s'appliquent pas à consommateurs dans ces États ou provinces.



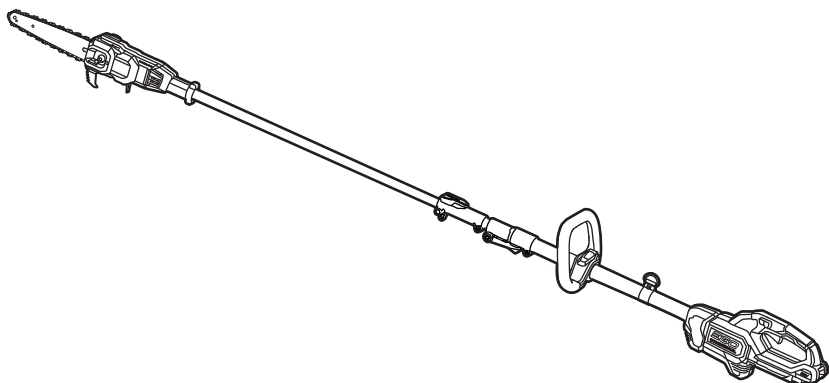
Cette garantie est soumise au droit du Michigan et doit être interprétée conformément au droit du Michigan sans tenir compte des principes de conflits de lois. Aucune action en justice ne pourra être intentée contre Chervon North America si elle n'est pas déposée dans un délai d'un (1) an après que le fondement de cette action en justice aura été connu, ou qu'il aurait dû l'être si une diligence raisonnable avait été exercée. Toute action non intentée dans les délais est réputée abandonnée.

Pour le service à la clientèle, contactez-nous en téléphonant au numéro suivant (appel gratuit) : **1-855-EGO-5656** ou **EGOPOWERPLUS.COM**.

EGO Customer Service,
769 Seward Ave. NW, Suite 102,
Grand Rapids, Michigan 49504.

EGO™

COMMERCIAL



**LLENE EL TANQUE DE ACEITE CON
ACEITE PARA ESPADA Y CADENA
ANTES DEL PRIMER USO**



MANUAL DEL OPERADOR

SIERRA DE PÉRTIGA COMERCIAL DE ION LITIO DE 56 V

MODELO NÚMERO PSX2510/PSX2510-FC

⚠ ADVERTENCIA: para reducir el riesgo de lesiones, el usuario debe leer y comprender el Manual del usuario antes de usar este producto. Guarde estas instrucciones para consultarlas en el futuro.

ÍNDICE

Símbolos de seguridad	94
Instrucciones de seguridad	95-101
Introducción	102
Especificaciones	103
Accesorios recomendados	103
Descripción	104-106
Ensamblaje	107-115
Utilización	116-124
Mantenimiento	125-132
Resolución de problemas	133-135
Garantía	136-138

¡LEA TODAS LAS INSTRUCCIONES!



LEA Y COMPRENDA
EL MANUAL DEL OPERADOR

⚠ ADVERTENCIA: Cierta polvo generado por el lijado, aserrado, amolado y taladrado con herramientas eléctricas, así como por otras actividades de construcción, contiene sustancias químicas que el estado de California sabe que causan cáncer, defectos congénitos u otros daños sobre la reproducción. Algunos ejemplos de estas sustancias químicas son:

- Plomo procedente de pinturas a base de plomo.
- Sílice cristalina procedente de ladrillos y cemento, así como de otros productos de mampostería.
- Arsénico y cromo procedentes de madera de construcción tratada químicamente.

El riesgo para usted por causa de estas exposiciones varía, dependiendo de qué tan a menudo realice este tipo de trabajo. Para reducir su exposición a estas sustancias químicas:

- Trabaje en un área bien ventilada.
- Trabaje con equipo de seguridad aprobado, tal como máscaras antipolvo que estén diseñadas especialmente para impedir mediante filtración el paso de partículas microscópicas.
- Evite el contacto prolongado con el polvo procedente de las operaciones de lijado, aserrado, amolado y taladrado con herramientas eléctricas, así como de otras actividades de construcción. Use ropa protectora y lave las áreas expuestas del cuerpo con agua y jabón. Si deja que le entre polvo en la boca o en los ojos, o que le quede polvo en la piel, es posible que se promueva la absorción de sustancias químicas perjudiciales.

SÍMBOLOS DE SEGURIDAD

La finalidad de los símbolos de seguridad es atraer la atención del usuario hacia posibles peligros. Los símbolos de seguridad y las explicaciones que los acompañan merecen que usted preste una atención detenida y logre una comprensión profunda. Las advertencias con símbolo no eliminan por sí mismas ningún peligro. Las instrucciones y las advertencias que dan no son sustitutos de las medidas adecuadas de prevención de accidentes.

⚠ ADVERTENCIA: Asegúrese de leer y entender todas las instrucciones de seguridad contenidas en este manual del operador, incluyendo todos los símbolos de alerta de seguridad, tales como “**PELIGRO**”, “**ADVERTENCIA**” y “**PRECAUCIÓN**”, antes de utilizar esta herramienta. Si no se siguen todas las instrucciones que se indican a continuación, es posible que el resultado sea descargas eléctricas, incendio y/o lesiones corporales graves.

SIGNIFICADO DE LOS SÍMBOLOS

⚠ SÍMBOLO DE ALERTA DE SEGURIDAD: Indica **PELIGRO**, **ADVERTENCIA** o **PRECAUCIÓN**. Es posible que se utilice en combinación con otros símbolos o pictogramas.



⚠ ADVERTENCIA: La utilización de cualquier máquina puede hacer que se lancen objetos extraños hacia los ojos del operador, lo cual puede causar daños oculares graves. Antes de comenzar a utilizar una máquina, use siempre gafas de seguridad o anteojos de seguridad con escudos laterales y una careta completa cuando sea necesario. Recomendamos usar una máscara de seguridad de visión amplia sobre anteojos o gafas de seguridad estándar con escudos laterales. Use siempre protección ocular que esté marcada para cumplir con la norma ANSI Z87.1.

INSTRUCCIONES DE SEGURIDAD

Esta página muestra y describe los símbolos de seguridad que es posible que aparezcan en este producto. Lea, entienda y siga todas las instrucciones que se encuentran en la máquina antes de intentar ensamblarla y utilizarla.

	Precaución	Indica un peligro potencial de lesiones corporales.
	Lea y entienda el manual del operador	Para reducir el riesgo de lesiones, el usuario debe leer y entender el manual del operador antes de utilizar este producto.
	Use protección ocular	Use siempre anteojos de seguridad o gafas de seguridad con escudos laterales y una careta completa cuando utilice este producto.
	Use protección de los oídos	Es posible que el ruido de la sierra de pértiga le dañe la audición. Use siempre barreras acústicas (tapones de oídos u orejeras) para protegerse la audición.
	Use protección de la cabeza	Use un casco de seguridad aprobado para protegerse la cabeza.
	Use guantes protectores	Protéjase las manos con guantes cuando maneje la sierra y la cadena de la sierra. Los guantes antideslizantes gruesos mejoran el agarre y le protegen las manos.
	Use calzado de seguridad	Use calzado de seguridad antideslizante cuando utilice este equipo.

	<p>Mantenga una distancia suficiente alejada de las líneas de energía eléctrica</p>	<p>Para prevenir la electrocución, no utilice el producto a menos de 50 pies (15 m) de las líneas eléctricas elevadas. Es posible que el contacto con líneas de energía eléctrica o el uso cerca de las mismas cause lesiones graves o descargas eléctricas que tengan como resultado la muerte.</p>
	<p>Símbolo de reciclaje</p>	<p>Este producto utiliza baterías de ion litio (ion Li). Es posible que las leyes locales, estatales o federales prohíban la eliminación de las baterías en la basura ordinaria. Consulte a su autoridad local de eliminación de residuos para obtener información sobre las opciones de reciclaje y/o eliminación disponibles.</p>
<p>IPX5</p>	<p>Grado de protección contra la penetración (IP)</p>	<p>Clasifica el grado de protección proporcionado por un recinto cerrado para equipos eléctricos.</p>
<p>V</p>	<p>Voltio</p>	<p>Tensión</p>
<p>mm</p>	<p>Milímetro</p>	<p>Longitud o tamaño</p>
<p>in</p>	<p>Pulgada</p>	<p>Longitud o tamaño</p>
<p>m</p>	<p>Metro</p>	<p>Longitud o tamaño</p>
<p>ft</p>	<p>Pie</p>	<p>Longitud o tamaño</p>
<p>fl. oz.</p>	<p>Onza líquida</p>	<p>Volumen de líquido</p>
<p>ml</p>	<p>Mililitro</p>	<p>Volumen de líquido</p>
<p>kg</p>	<p>Kilogramo</p>	<p>Peso</p>
<p>lb</p>	<p>Libra</p>	<p>Peso</p>
<p>°C</p>	<p>Grados Celsius</p>	<p>Temperatura</p>
<p>°F</p>	<p>Grados Fahrenheit</p>	<p>Temperatura</p>
	<p>Corriente continua (CC)</p>	<p>Tipo o característica de corriente</p>

INSTRUCCIONES DE SEGURIDAD IMPORTANTES

⚠️ ADVERTENCIA: Cuando utilice máquinas eléctricas de jardinería, se deberán seguir siempre precauciones básicas de seguridad para reducir el riesgo de incendio, descargas eléctricas y lesiones corporales, incluyendo las siguientes:

LEA TODAS LAS INSTRUCCIONES

⚠️ PELIGRO: No utilice la máquina cerca de líneas de energía eléctrica. La unidad no ha sido diseñada para proporcionar protección contra las descargas eléctricas en el caso de contacto con líneas eléctricas elevadas. Consulte los reglamentos locales sobre distancias seguras a líneas de energía eléctrica elevadas y asegúrese de que la posición de utilización sea segura y sin riesgos antes de utilizar la sierra de pértiga.

⚠️ PRECAUCIÓN: Use protección personal adecuada de la audición durante la utilización de la máquina. En algunas condiciones y duraciones de uso, es posible que el ruido causado por este producto contribuya a la pérdida de audición.

- **Evite los entornos peligrosos:** No utilice máquinas en lugares húmedos o mojados.
- **Mantenga alejados a los niños:** Todos los visitantes se deberán mantener a una cierta distancia del área de trabajo.
- **Vístase adecuadamente:** No se ponga ropa holgada ni joyas. La ropa holgada y las joyas pueden quedar atrapadas en las piezas móviles. Se recomienda usar guantes de caucho y calzado resistente cuando se trabaje a la intemperie. Use una cubierta protectora del pelo para sujetar el pelo largo.
- **Use anteojos de seguridad. Use siempre una mascarilla o una máscara antipolvo si la operación genera grandes cantidades de polvo.**
- **Utilice la máquina adecuada:** No utilice la máquina para ningún trabajo que no sea aquel para el que está diseñada.
- **No agarre las hojas de corte expuestas o los bordes de corte expuestos cuando levante o agarre la máquina.**
- **No fuerce la máquina:** Esta hará el trabajo mejor y con menos probabilidad de riesgo de lesiones a la capacidad nominal para la que fue diseñada.
- **No intente alcanzar demasiado lejos:** Mantenga un apoyo de los pies y un equilibrio adecuados en todo momento.
- **Manténgase alerta:** Fíjese en lo que está haciendo. Use el sentido común. No utilice la máquina cuando esté cansado.

- **Mantenga todas las partes del cuerpo alejadas de la cadena de la sierra.** No retire material cortado ni agarre material que se vaya a cortar cuando las hojas se estén moviendo. Asegúrese de que el interruptor esté en la posición de apagado cuando retire material atorado. La cadena de la sierra seguirá moviéndose después de poner el interruptor en la posición de apagado. Es posible que un momento de desatención mientras se esté utilizando la sierra de pértiga cause lesiones corporales graves.
- **Transporte la sierra de pértiga por la empuñadura con la cadena de la sierra detenida.** Cuando transporte o almacene la sierra de pértiga, ajuste siempre la funda de la cadena. Un manejo correcto de la sierra de pértiga reducirá las posibles lesiones corporales causadas por la cadena de la sierra.
- **Agarre la sierra de pértiga solo por las superficies de agarre con aislamiento, porque es posible que la cadena de la sierra entre en contacto con cables ocultos.** Es posible que una cadena de sierra que entre en contacto con un cable con corriente haga que las partes metálicas de la sierra de pértiga que estén al descubierto también tengan corriente, lo cual podría causar una descarga eléctrica al operador.
- **No utilice la sierra de pértiga en malas condiciones climáticas, especialmente cuando haya riesgo de rayos.** Esto reduce el riesgo de ser alcanzado por rayos.
- **Para reducir el riesgo de electrocución, no utilice nunca la unidad cerca de líneas de energía eléctrica.** Es posible que el contacto con líneas de energía eléctrica o el uso cerca de las mismas cause lesiones graves o descargas eléctricas que tengan como resultado la muerte.
- **Use siempre las dos manos cuando utilice la sierra de pértiga. Agarre la sierra de pértiga con las dos manos para evitar la pérdida de control.**
- **Use siempre protección de la cabeza cuando utilice la sierra de pértiga por encima de la cabeza.** Los residuos que caigan pueden causar lesiones corporales graves.
- **Guarde en un lugar interior las máquinas inactivas:** Cuando no se estén utilizando, las máquinas se deberán guardar en un lugar interior seco y elevado o cerrado con llave, con el paquete de batería retirado, y fuera del alcance de los niños.
- **Mantenga la máquina con cuidado:** Mantenga el borde de corte afilado y limpio para obtener el mejor rendimiento y reducir el riesgo de lesiones. Siga las

instrucciones de lubricación y cambio de accesorios. Mantenga las empuñaduras secas, limpias y libres de aceite y grasa.

- **Compruebe las piezas dañadas:** Antes de seguir utilizando el producto, un protector u otra pieza que presente daños se deberá comprobar cuidadosamente para determinar si funcionará correctamente y realizará su función prevista. Compruebe la alineación de las piezas móviles, si hay atoramiento de piezas móviles, si hay rotura de piezas, el montaje y cualquier otra situación que pueda afectar a su funcionamiento. Un protector u otra pieza que presente daños deberá ser reparado o reemplazado adecuadamente por un centro de servicio autorizado, a menos que se indique otra cosa en otro lugar de este manual.
- **No cargue el paquete de batería en la lluvia ni en lugares mojados.**
- **Prevenga los arranques accidentales. Asegúrese de que el interruptor esté en la posición de apagado antes de conectar la máquina a un paquete de batería, levantarla o transportarla.** Si se transporta la máquina con el dedo en el interruptor o si se suministra corriente a una máquina que tenga el interruptor en la posición de encendido se invita a que se produzcan accidentes.
- **Desconecte el paquete de batería de la máquina antes de hacer cualquier ajuste, cambiar accesorios o almacenar la máquina.** Dichas medidas preventivas de seguridad reducen el riesgo de arrancar accidentalmente la máquina.
- **No modifique ni intente reparar la máquina o el paquete de batería (según corresponda), excepto según se indique en las instrucciones de uso y cuidado.**
- **No utilice un paquete de batería o una máquina que estén dañados o modificados.** Es posible que las baterías dañadas o modificadas exhiban un comportamiento imprevisible que tenga como resultado incendio, explosión o riesgo de lesiones.
- **Utilice las máquinas solo con los paquetes de batería diseñados específicamente.** Es posible que el uso de cualquier otro paquete de batería cree un riesgo de lesiones e incendio.
- **Haga que el servicio de ajustes y reparaciones sea realizado por un técnico de reparaciones calificado que utilice solo piezas de repuesto idénticas.** Esto garantizará que se mantenga la seguridad del producto.

- **Utilice la máquina solo con los paquetes de batería y los cargadores que se indican a continuación:**

PAQUETE DE BATERÍA	CARGADOR
BA1400, BA1400-FC, BA2800, BA2800-FC, BA4200, BA4200-FC, BA1400T, BA1400T-FC, BA2242T, BA2242T-FC, BA2800T, BA2800T-FC, BA3360T, BA3360T-FC, BA4200T, BA4200T-FC, BA5600T, BA5600T-FC, BA6720T, BA6720T-FC	CH2100, CH2100-FC, CH3200, CH3200-FC, CH5500, CH5500-FC, CH2800D, CH2800D-FC, CH7000, CH7000-FC

- **No deseche la batería en un fuego.** Es posible que las celdas exploten. Consulte los códigos locales para obtener posibles instrucciones de eliminación especiales.
- **No abra ni mutile la batería.** El electrolito liberado es corrosivo y es posible que cause daños en los ojos o la piel. Puede que sea tóxico si se traga.

⚠ PRECAUCIÓN: El electrólito es un ácido sulfúrico diluido que es perjudicial para la piel y los ojos. Es conductor eléctrico y corrosivo.

- **Tenga cuidado al manejar las baterías para no cortocircuitar la batería con materiales conductores, tales como anillos, pulseras y llaves.** Es posible que la batería o el conductor se sobrecalienten y causen quemaduras.
- **Piezas de repuesto:** Cuando haga servicio de ajustes y reparaciones, utilice solo piezas de repuesto EGO idénticas. Es posible que el uso de cualquier otro accesorio o aditamento aumente el riesgo de lesiones.
- **Las máquinas a batería no tienen que enchufarse en un tomacorriente; por lo tanto, siempre están en condiciones de funcionamiento.** Este atento a los posibles peligros, incluso cuando la máquina no esté en funcionamiento. Tenga cuidado cuando realice mantenimiento o servicio de ajustes y reparaciones.
- **Retire o desconecte el paquete de batería antes de hacer servicio de ajustes y reparaciones, realizar limpieza o retirar material del producto.**
- **No lave el producto con una manguera; evite que entre agua en el motor y las conexiones eléctricas.**
- **No incinere la máquina incluso si está severamente dañada.** Las baterías pueden explotar en un fuego.

- **No exponga un paquete de batería o una máquina a un fuego o a una temperatura excesiva.** Es posible que la exposición a un fuego o a una temperatura superior a 212 °F (100 °C) cause una explosión.
- **Si se producen situaciones que no estén cubiertas en este manual, tenga cuidado y aplique un buen criterio. Contacte a Servicio al Cliente de EGO para obtener asistencia.**

GUARDE ESTAS INSTRUCCIONES. Consúltelas frecuentemente y úselas para instruir a otras personas que puedan utilizar este producto. Si le presta este producto a otra persona, préstele también estas instrucciones para evitar un uso incorrecto del producto y posibles lesiones.

INTRODUCCIÓN

Felicitaciones por su selección de la SIERRA DE PÉRTIGA COMERCIAL EGO. Esta sierra de pértiga ha sido diseñada, concebida y fabricada para ofrecerle a usted la mejor confiabilidad y el mejor rendimiento posibles.

En caso de que tenga algún problema que no pueda resolver fácilmente, sírvase contactar al centro de servicio al cliente de EGO llamando al 1-855-EGO-5656.

Este manual contiene información importante sobre el ensamblaje, la utilización y el mantenimiento seguros de su producto. Léalo detenidamente antes de utilizar el producto. Tenga este manual al alcance de la mano para poder consultarlo en cualquier momento.

NÚMERO DE SERIE _____ FECHA DE COMPRA _____

DEBE ANOTAR EL NÚMERO DE SERIE Y LA FECHA DE COMPRA Y CONSERVARLOS EN UN LUGAR SEGURO PARA CONSULTARLOS EN EL FUTURO.

ESPECIFICACIONES

Tensión	56 V
Longitud de la espada	10 pulgadas (250 mm)
Paso de la cadena	1/4 de pulgada (6,4 mm)
Calibre de la cadena	0,043 pulgadas (1,1 mm)
Capacidad del tanque de aceite	2,7 oz líq. (80 ml)
Número de eslabones guía	56
Longitud de la máquina (sin pértiga de extensión)	Mín. 7,6 pies (2,33 m)
	Máx. 9,6 pies (2,92 m)
Longitud de la máquina (con 1 pértiga de extensión)	Mín. 10,9 pies (3,33 m)
	Máx. 12,9 pies (3,92 m)
Longitud de la máquina (con 2 pértigas de extensión como máximo)	Mín. 14,2 pies (4,33 cm)
	Máx. 16,2 pies (4,92 cm)
Temperatura de funcionamiento recomendada	5 – 104 °F (-15 – 40 °C)
Temperatura de almacenamiento recomendada	-4 – 158 °F (-20 – 70 °C)
Peso (sin paquete de batería y sin funda de la cadena)	9,5 lb (4,3 kg)
Grado de protección contra la penetración (IP)	IPX5* (protección contra los chorros de agua).

* **NOTA:** La calificación IPX5 se basa en que la máquina y la batería se utilicen juntas como un sistema.

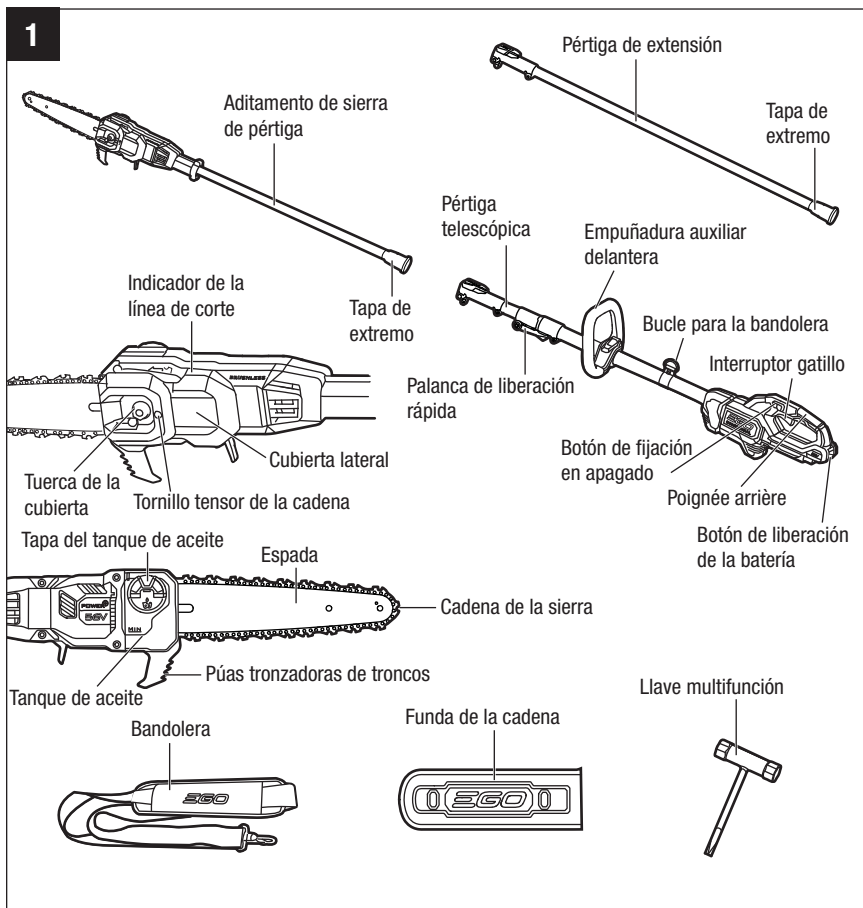
ACCESORIOS RECOMENDADOS

NOMBRE DE LA PIEZA	NÚMERO DE MODELO
Espada	AG1000Q
Cadena de la sierra	AC1000Q
Pértiga de extensión	EP1000
Bandolera	AP1500

DESCRIPCIÓN

CONOZCA SU SIERRA DE PÉRTIGA (Fig. 1)

El uso seguro de este producto requiere entender la información que se encuentra en el producto y en este manual de instrucciones, así como tener conocimiento del proyecto que se esté intentando realizar. Antes de utilizar este producto, familiarícese con todas las características de funcionamiento y todas las normas de seguridad.



Interruptor gatillo

Enciende y apaga la sierra de pértiga.

Botón de fijación en apagado

Ayuda a prevenir la activación accidental y no autorizada del interruptor gatillo. Se debe presionar antes de que se pueda activar el interruptor gatillo.

Pértiga telescópica

Una pértiga interna que se utiliza para prolongar la longitud de la máquina.

Palanca de liberación rápida

Bloquea y desbloquea la pértiga telescópica.

Cubierta lateral

Cubre el piñón de la cadena y fija la espada.

Espada

Soporta y guía la cadena de la sierra.

Cadena de la sierra

Un bucle de cadena equipado con dientes de corte que corta la madera cuando es impulsado por el cabezal motriz y soportado por la espada.

Tuerca de la cubierta

Mantiene el ensamblaje de la cubierta lateral y la espada en la posición correcta.

Tornillo tensor de la cadena

Permite un ajuste preciso de la tensión de la cadena de la sierra.

Indicador de la línea de corte

Indica la posición de la cadena de la sierra para que el usuario pueda obtener la posición de la cadena cuando corte ramas muy elevadas y debajo de la copa sombreada de un árbol.

Funda de la cadena

La funda de la cadena evita que el operador entre en contacto con las hojas afiladas de la cadena cuando la máquina no se esté utilizando. También ayuda a evitar que las hojas de la cadena se mellen o se dañen cuando la máquina esté siendo transportada o esté almacenada.

Tanque de aceite

La carcasa semitransparente del tanque almacena el lubricante para la cadena de la sierra y permite al usuario ver cuándo añadir lubricante.

Tapa del tanque de aceite

Sella el tanque de aceite.

Púas tronzadoras de troncos

El diente o los dientes puntiagudos para utilizarse cuando se troncan troncos con el fin de pivotar la sierra y mantener la posición mientras se esté aserrando.

Empuñadura auxiliar delantera

Para facilitar el control de la sierra de pértiga durante las operaciones de corte.

Empuñadura trasera

La empuñadura ergonómica mejora la comodidad y el agarre.

Botón de liberación de la batería

Presione el botón para liberar el paquete de batería de la máquina.

Bandolera

Un arnés que el operador se debe poner para tener soporte y equilibrio durante las operaciones de corte.

Bucle para la bandolera

Para sujetar la bandolera.

Pértiga de extensión

Aumenta la longitud de la máquina en 3,3 pies (1 m) para extender el intervalo de corte.

Tapa de extremo

Protege el puerto de conexión del aditamento de sierra de pértiga / la pértiga de extensión contra los daños durante el transporte por separado.

ENSAMBLAJE

⚠ ADVERTENCIA: Si alguna de las piezas está dañada o falta, no utilice este producto hasta que las piezas hayan sido reemplazadas. El uso de este producto con piezas dañadas o si le faltan piezas podría tener como resultado lesiones corporales graves.

⚠ ADVERTENCIA: No intente modificar este producto ni crear accesorios no recomendados para utilizarse con esta máquina. Cualquiera de dichas alteraciones o modificaciones constituye un uso incorrecto y podría provocar una situación peligrosa que cause posibles lesiones corporales graves.

⚠ ADVERTENCIA: Para prevenir arranques accidentales que podrían causar lesiones corporales graves, retire siempre el paquete de batería (los paquetes de batería) de la máquina cuando ensamble piezas.

DESEMPAQUETADO

Este producto requiere ensamblaje.

- Saque cuidadosamente el producto y todos los accesorios de la caja. Asegúrese de que todos los artículos indicados en la “**LISTA DE EMPAQUETAMIENTO**” estén incluidos.
- Inspeccione minuciosamente la máquina para asegurarse de que no se hayan producido roturas o daños durante el envío.
- No deseche el material de empaquetamiento hasta que haya inspeccionado minuciosamente y utilizado satisfactoriamente la máquina.
- Si alguna de las piezas está dañada o falta, sírvase devolver el producto al lugar de compra.

LISTA DE EMPAQUETAMIENTO

NOMBRE DE LA PIEZA	CANTIDAD
Aditamento de sierra de pértiga	1
Cabezal motriz	1
Cadena de la sierra	1
Espada	1
Empuñadura auxiliar delantera	1

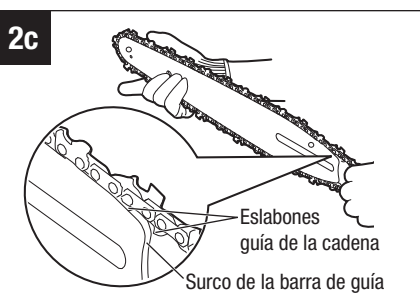
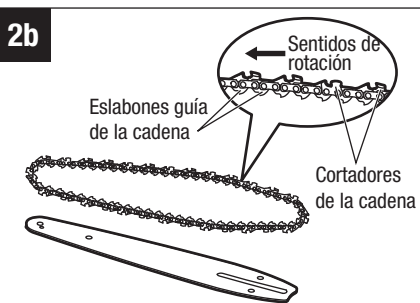
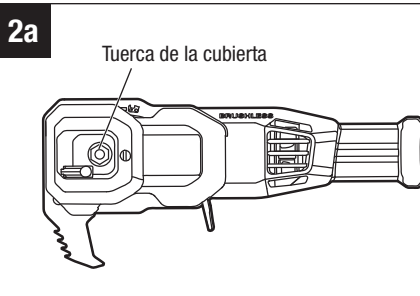
NOMBRE DE LA PIEZA	CANTIDAD
Funda de la cadena	1
Bandolera	1
Pértiga de extensión	1
Llave multifuncional	1
Manual del propietario	1

ENSAMBLAJE DE LA ESPADA Y LA CADENA DE LA SIERRA (Fig. 2)

⚠ ADVERTENCIA: Póngase guantes de seguridad antes de realizar cualquier trabajo en la cadena.

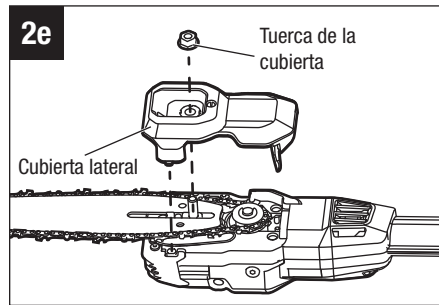
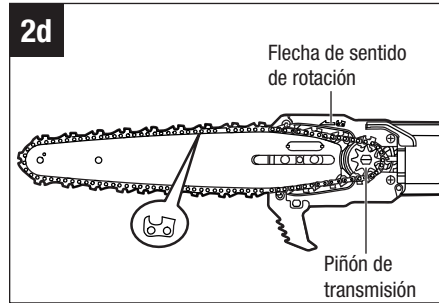
⚠ ADVERTENCIA: Una cadena de sierra ajustada incorrectamente causará un comportamiento de corte errático de la herramienta. Ajuste la cadena de manera que rote en el sentido de rotación indicado.

1. Retire el paquete de batería.
2. Acueste la sierra de pértiga sobre una superficie firme y plana, de manera que la cubierta lateral esté orientada hacia arriba.
3. Desenrosque la tuerca de la cubierta utilizando la llave multifunción incluida y luego levante la cubierta lateral (Fig. 2a).
4. Tienda la cadena de sierra nueva en forma de bucle sobre una superficie plana y enderece todos los enredos (Fig. 2b).
5. Coloque los eslabones guía de la cadena en el interior del surco de la espada. Posicione la cadena de manera que haya un bucle en la parte trasera de la espada (Fig. 2c).



6. Sostenga la cadena en la posición correcta sobre la espada y coloque el bucle alrededor del piñón de transmisión de la sierra de pértiga.

AVISO: En la carcasa de la máquina están grabados una flecha de dirección pequeña y un pictograma de cortador (Fig. 2d). Cuando haga un bucle con la cadena de la sierra sobre la espada, asegúrese de que, después de montar la espada, el sentido de la cadena de la sierra corresponda a la flecha de sentido de rotación ubicada en la carcasa de la máquina y la forma de los cortadores ubicados en la parte superior de la espada coincida con la del pictograma de cortador ubicado en la carcasa. Si las flechas están orientadas en sentidos opuestos, reensamble la cadena de la sierra sobre la espada con las flechas orientadas en el mismo sentido.



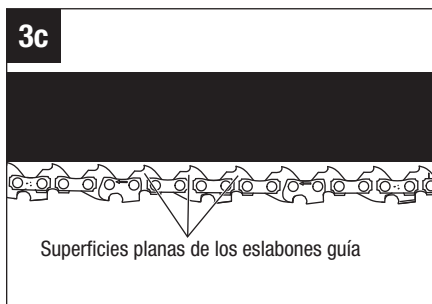
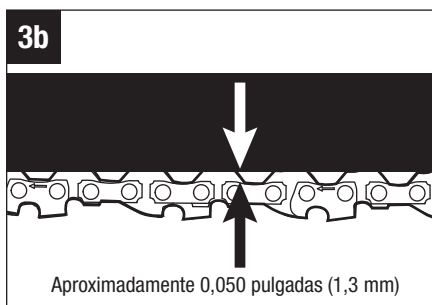
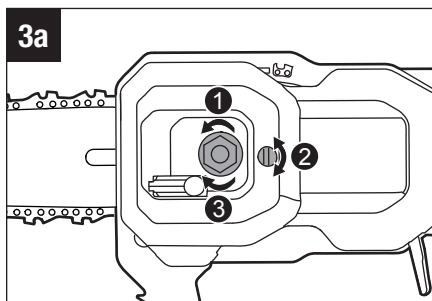
- 7. Mantenga la espada y la cadena paralelas a la superficie de montaje con una mano.** Instale la cubierta lateral en la carcasa de manera que los agujeros/pasadores y el perno de sujeción/agujero roscado estén alineados adecuadamente unos con otros. Presione la cubierta lateral hacia la carcasa y luego apriete la tuerca de la cubierta (Fig. 2e).

NOTA: Si la cadena está demasiado floja o demasiado apretada, ajuste la tensión de la cadena siguiendo las instrucciones de la sección “**TENSADO DE LA CADENA DE LA SIERRA**”.

8. Rote la cadena a mano para comprobar si está ensamblada correctamente sin que se atore. De lo contrario, reensamble la cadena y la espada.

TENSADO DE LA CADENA DE LA SIERRA (Fig. 3)

1. Retire el paquete de batería.
2. Utilice la llave multifunción para aflojar la tuerca de la cubierta hasta que la espada se pueda mover libremente.
3. Utilice la llave multifunción para girar el tornillo tensor en el sentido de las agujas del reloj para tensar la cadena o en sentido contrario al de las agujas del reloj para aflojarla.
4. Rote manualmente la cadena para comprobar si funciona sin fallas.
5. Apriete la tuerca de la cubierta (Fig. 3a).
 - Durante la utilización normal de la sierra, la temperatura de la cadena aumentará. Los eslabones guía de una cadena caliente tensada correctamente colgarán aproximadamente 0,050 pulgadas (1,3 mm) hacia fuera del surco de la espada (Fig. 3b).
 - Una cadena fría está tensada correctamente cuando no hay holgura en la parte inferior de la espada y la cadena está firmemente ajustada, pero se puede girar a mano sin que se atore. La cadena se debe retensar cuando las superficies planas de los eslabones guía no se asienten en el surco de la espada (Fig. 3c).

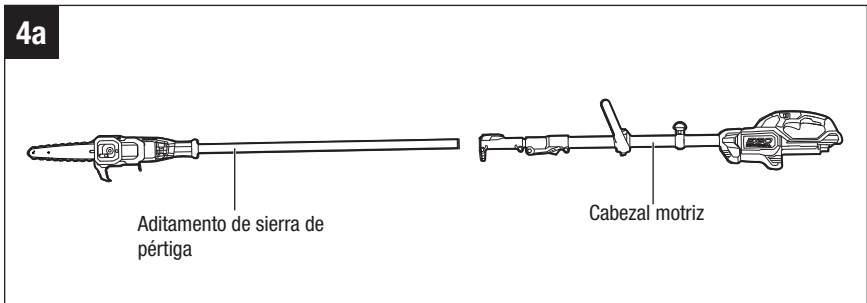


AVISO: Las cadenas nuevas tienden a estirarse; compruebe frecuentemente la tensión de la cadena y ajústela según sea necesario.

AVISO: Es posible que una cadena tensada mientras esté caliente esté demasiado tensa al enfriarse. Compruebe la tensión en frío antes del próximo uso.

CONEXIÓN DEL ADITAMENTO DE SIERRA DE PÉRTIGA AL CABEZAL MOTRIZ (Fig. 4)

Esta sierra de pértiga funciona como una combinación del aditamento de sierra de pértiga y el cabezal motriz (Fig. 4a).



⚠ ADVERTENCIA: No instale ni ajuste ningún aditamento mientras el cabezal motriz esté en funcionamiento o con el paquete de batería instalado. Si no detiene el motor y no retira el paquete de batería, es posible que se causen lesiones corporales graves.

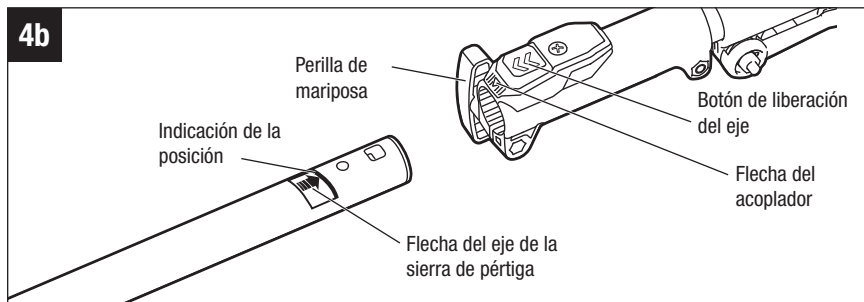
El aditamento de sierra de pértiga se conecta al cabezal motriz por medio de un dispositivo de acoplador.

1. Pare el motor y retire el paquete de batería.
2. Afloje la perilla de mariposa ubicada en el acoplador del cabezal motriz.
3. Retire la tapa de extremo del aditamento de sierra de pértiga y guárdela en un lugar seguro para uso futuro. Alinee la flecha ubicada en el eje de la sierra de pértiga con la flecha ubicada en el acoplador y empuje el eje de la sierra de pértiga hacia el interior del acoplador hasta que oiga un “clic” nítido que indica que el eje de la sierra de pértiga está montado en la posición correcta. También hay una indicación de posición en el eje de la sierra de pértiga para asegurarse de que la instalación sea correcta (Fig. 4b).
4. Jale el eje del aditamento para verificar que esté firmemente bloqueado en el interior del acoplador. Si no lo está, rote el eje de la sierra de pértiga de un lado a otro en el acoplador hasta que se acople a presión en la posición correcta.
5. Apriete firmemente la perilla de mariposa.

⚠ ADVERTENCIA: Asegúrese de que la perilla de mariposa esté completamente apretada antes de utilizar el equipo; compruebe periódicamente si está apretada durante el uso para evitar lesiones corporales graves.

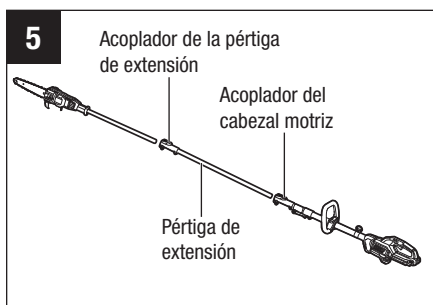
Para retirar el aditamento de sierra de pértiga del cabezal motriz:

1. Pare el motor y retire el paquete de batería.
2. Afloje la perilla de mariposa.
3. Presione el botón de liberación del eje y, con el botón presionado, jale o gire el eje de la sierra de pértiga hasta sacarlo del acoplador con el fin de separarlo del cabezal motriz.



CONEXIÓN DE LA PÉRTIGA DE EXTENSIÓN ENTRE EL CABEZAL MOTRIZ Y EL ADITAMENTO DE SIERRA DE PÉRTIGA (Fig. 5)

⚠ ADVERTENCIA: No instale ni ajuste nunca ningún aditamento mientras el cabezal motriz esté en funcionamiento o con el paquete de batería instalado. Si no se detiene el motor y se retira el paquete de batería, es posible que se causen lesiones corporales graves.



Esta pértiga de extensión está diseñada para utilizarse solo con las sierras de pértiga EGO PS1000/PS1000-FC/ PSX2510/PSX2510-FC. No la utilice nunca con otros aditamentos EGO.

La pértiga de extensión aumenta la longitud de la máquina en 3,3 pies (1 m), con lo cual extiende el intervalo de corte. La pértiga se deberá conectar entre el aditamento de sierra de pértiga y el cabezal motriz. **Como máximo se pueden utilizar dos pértigas de extensión en una máquina.**

Siga el proceso de la sección “**CONEXIÓN DEL ADITAMENTO DE SIERRA DE PÉRTIGA AL CABEZAL MOTRIZ**” para instalar la pértiga de extensión entre el aditamento de sierra de pértiga y el cabezal motriz.

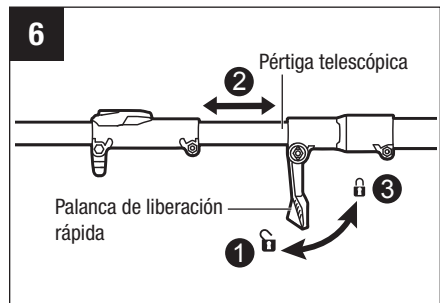
AVISO: Una vez que se hayan ensamblado correctamente, el aditamento de sierra de pértiga, la pértiga de extensión y el cabezal motriz no deberían separarse al ser jalados. Compruebe siempre la conexión jalando dichos componentes. Repita los pasos que anteceden si las piezas se pueden separar durante la prueba.

⚠ PELIGRO: Si no se fijan el aditamento y el cabezal motriz/la pértiga de extensión siguiendo las instrucciones que anteceden, el resultado podría ser lesiones graves o la muerte.

Para retirar la pértiga de extensión, siga las instrucciones del capítulo “Para retirar el aditamento de sierra de pértiga del cabezal motriz” en la sección “CONEXIÓN DEL ADITAMENTO DE SIERRA DE PÉRTIGA AL CABEZAL MOTRIZ”.

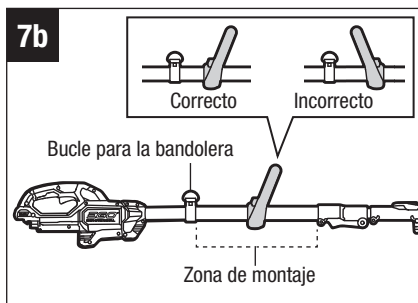
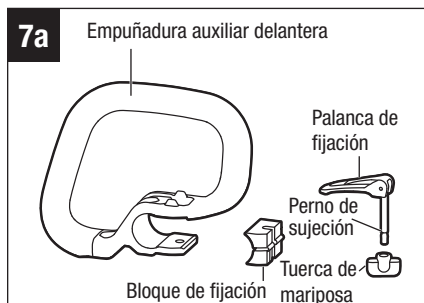
AJUSTE DE LA PÉRTIGA TELESCÓPICA (Fig. 6)

1. Levante la palanca de liberación rápida para liberar la pértiga telescópica.
2. Extienda la pértiga telescópica hasta la longitud deseada.
3. Presione hacia abajo la palanca de liberación rápida para bloquear la pértiga telescópica.



MONTAJE Y AJUSTE DE LA EMPUÑADURA AUXILIAR DELANTERA, EN CASO DE QUE SE REQUIERA (Fig. 7)

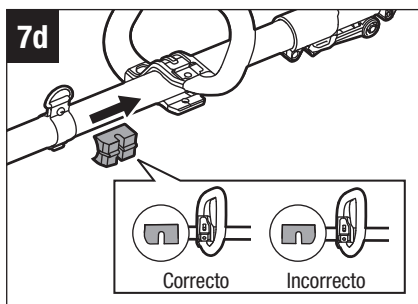
1. Pare el motor y retire el paquete de batería.
2. Afloje la tuerca de mariposa y retírela junto con el perno de sujeción y la palanca de fijación para que se separen de la empuñadura auxiliar delantera (Fig. 7a).



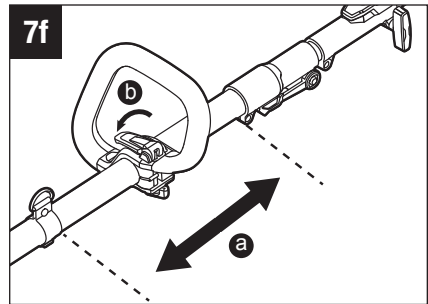
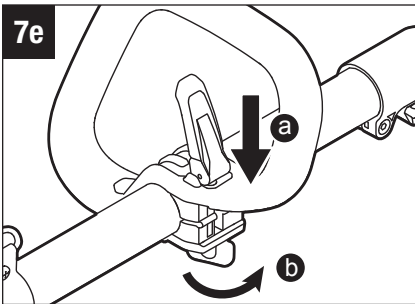
3. Posicione la parte inclinada de la empuñadura auxiliar hacia delante, hacia el extremo de aserrado de la máquina (Fig. 7b). Presione la empuñadura sobre el eje del cabezal motriz dentro de la zona de montaje entre el bucle para la bandolera y el manguito de la pértiga telescópica (Fig. 7c).



4. Alinee adecuadamente el bloque de fijación con la ranura de la empuñadura y luego inserte el bloque de fijación (Fig. 7d).

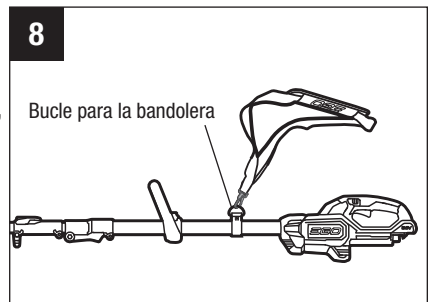


5. Monte la palanca de fijación, pero no presione dicha palanca hacia abajo, y luego preapriete la tuerca de mariposa (Fig. 7e).
6. Ajuste la posición de la empuñadura auxiliar delantera dentro de la zona de montaje (Fig. 7f). La empuñadura se deberá ajustar de manera que el brazo del operador esté recto cuando utilice la sierra de pértiga.
7. Presione hacia abajo la palanca de fijación de manera que la empuñadura auxiliar delantera quede fija para no rotar ni moverse a lo largo del eje del cabezal motriz (Fig. 7f).



INSTALACIÓN DE LA BANDOLERA (Fig. 8)

Para que la utilización sea segura y cómoda, póngase la bandolera transversalmente al hombro para aliviar el peso sobre los brazos del operador. Presione el mosquetón para abrirlo y enganche dicho mosquetón en el bucle para la bandolera. Ajuste la longitud de la bandolera a una posición de utilización cómoda.



⚠ ADVERTENCIA: Cuando se produzca una emergencia, quítese inmediatamente la bandolera del hombro para evitar lesiones.

UTILIZACIÓN

⚠ ADVERTENCIA: No corte nunca cerca de líneas de energía eléctrica, cables eléctricos u otras fuentes de electricidad. Si la espada y la cadena se atorán en cualquier cable eléctrico o línea eléctrica, **¡NO TOQUE LA ESPADA, LA CADENA NI LA PÉRTIGA! ESTOS ELEMENTOS PUEDEN TENER CORRIENTE ELÉCTRICA Y ES POSIBLE QUE SEAN MUY PELIGROSOS.** Continúe agarrando la sierra de pértiga por la empuñadura trasera con aislamiento o déjela en algún lugar alejado de usted de manera segura. Desconecte el servicio eléctrico a la línea o al cable dañados antes de intentar liberar la espada y la cadena de la línea o del cable. El contacto con la espada, la cadena u otras partes conductoras de la sierra de pértiga, o con cables eléctricos o líneas eléctricas que tengan corriente, causará muerte por electrocución o lesiones graves.

⚠ ADVERTENCIA: No deje que la familiaridad con este producto le haga volverse descuidado. Recuerde que una fracción de segundo de descuido es suficiente para causar lesiones graves.

⚠ ADVERTENCIA: Use siempre anteojos de seguridad o gafas de seguridad con escudos laterales marcados para cumplir con la norma ANSI Z87.1. Si no se hace así, el resultado podría ser que se lancen objetos hacia los ojos del operador y otras posibles lesiones graves.

⚠ ADVERTENCIA: Retire siempre el paquete de batería del producto cuando ensamble piezas, haga ajustes o realice limpieza, o cuando el producto no se esté utilizando. Al retirar el paquete de batería se prevendrán arranques accidentales que podrían causar lesiones corporales graves.

⚠ ADVERTENCIA: No utilice aditamentos o accesorios no recomendados por el fabricante de este producto. El uso de aditamentos o accesorios no recomendados puede causar lesiones corporales graves.

Antes de cada uso, inspeccione todo el producto para determinar si hay piezas dañadas, si faltan piezas o si hay piezas flojas, tales como tornillos, tuercas, pernos, tapas, etc. Apriete firmemente todos los sujetadores y todas las tapas, y no utilice este producto hasta que todas las piezas que falten o estén dañadas hayan sido reemplazadas.

APLICACIÓN

Usted puede utilizar este producto para los propósitos que se indican a continuación:

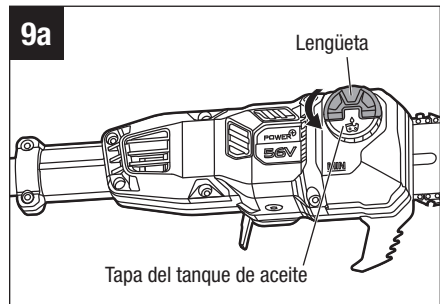
- Desrame
- Poda

LLENADO DEL TANQUE DE ACEITE CON LUBRICANTE PARA ESPADAS Y CADENAS (Fig. 9)

⚠ ADVERTENCIA: No fume ni traiga fuego o llamas cerca del aceite o la sierra de pértiga. Es posible que el aceite se derrame y cause un incendio.

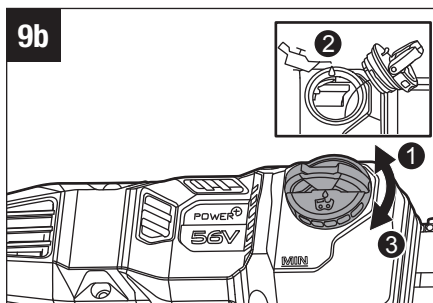
AVISO: La sierra de pértiga no está llena de aceite en el momento de su compra. Es esencial llenar el tanque con aceite para cadenas antes de utilizarla. Si se utiliza la sierra de pértiga sin aceite para cadenas o cuando el nivel de aceite esté por debajo de la marca “MIN”, el resultado será daños a la sierra de pértiga. La vida útil y la capacidad de corte de la cadena dependen de que la lubricación sea óptima. La cadena se lubrica automáticamente con aceite para cadenas durante la utilización de la sierra de pértiga, si hay suficiente aceite en el depósito. El nivel de aceite también se deberá comprobar cada 20 minutos de uso y se deberá rellenar el tanque de aceite según sea necesario.

1. Retire el paquete de batería del cabezal motriz.
2. Limpie la tapa del tanque de aceite y el área alrededor de la misma para asegurarse de que no caiga suciedad en el tanque de aceite.
3. Acueste la sierra de pértiga sobre una superficie firme y plana, de manera que la tapa del tanque de aceite esté orientada hacia arriba.



4. Levante la lengüeta de la tapa del tanque de aceite (Fig. 9a).
5. Utilice la lengüeta para rotar la tapa del tanque de aceite en sentido contrario al de las agujas del reloj para retirarla.

6. Vierta cuidadosamente el aceite para espadas y cadenas en el tanque hasta que lo llene hasta el cuello. Tenga cuidado de no dejar que se derrame aceite por la abertura. Elimine con un paño todo el exceso de aceite.
7. Instale la perilla del tanque de aceite y rótelala para apretarla (Fig. 9b).
8. Cierre la lengüeta de la tapa del tanque de aceite.



AVISO:

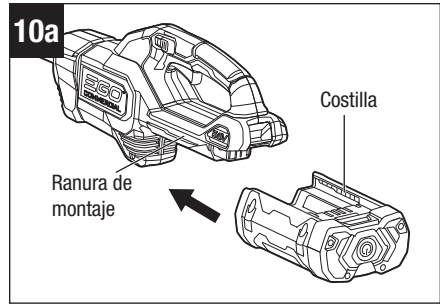
- Utilice lubricante EGO autorizado para espadas y cadenas (núm. de modelo AOL3200 o AOL1000) para obtener los mejores resultados. Dicho lubricante está diseñado especialmente para producir una fricción baja y cortes más rápidos.
- No utilice nunca aceite u otros lubricantes que no estén diseñados específicamente para utilizarse en la espada y la cadena. Si no siguen estas instrucciones, el resultado puede ser un sistema de aceite obstruido, lo cual puede causar desgaste prematuro de la espada y la cadena.
- Compruebe frecuentemente el nivel de aceite y rellene el tanque según sea necesario.
- No utilice aceite sucio, usado o contaminado de alguna otra manera. Es posible que se produzcan daños en la espada o la cadena.
- Es normal que escape aceite de la sierra cuando esta no se esté utilizando. Para prevenir los escapes, vacíe el tanque de aceite después de cada uso y luego tenga la sierra en funcionamiento durante un minuto. Cuando almacene la máquina durante un período de tiempo prolongado, asegúrese de que la cadena esté lubricada ligeramente; esto prevendrá que se forme óxido en el piñón de la cadena y la espada.
- Para preservar los recursos naturales, por favor, recicle o deseche el aceite de manera adecuada. Consulte a su autoridad local de eliminación de residuos para obtener información sobre las opciones de reciclaje y eliminación disponibles.

INSTALACIÓN/DESINSTALACIÓN DEL PAQUETE DE BATERÍA (Fig. 10)

NOTA: Cargue completamente el paquete de batería antes del primer uso.

Para instalar el paquete de batería (Fig. 10a)

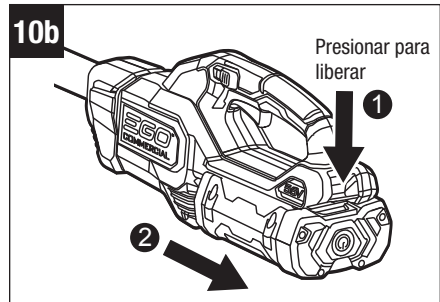
1. Alinee las costillas del paquete de batería con las ranuras de montaje ubicadas en el puerto de la batería del cabezal motriz.
2. Deslice el paquete de batería sobre el cabezal motriz hasta que se acople a presión en la posición correcta.



⚠ ADVERTENCIA: Asegúrese de que el pestillo ubicado en el cabezal motriz se acople a presión en la posición correcta y que el paquete de batería esté firmemente sujeto al cabezal motriz antes de comenzar a utilizar la unidad. Si no se asienta firmemente el paquete de batería, el resultado podría ser que dicho paquete se caiga y tenga como resultado lesiones corporales graves.

Para desinstalar el paquete de batería (Fig. 10b)

⚠ ADVERTENCIA: Esté atento siempre a la ubicación de los pies, los niños o los animales domésticos cuando presione el botón de liberación de la batería. Se podrían producir lesiones graves si el paquete de batería se cae. No retire NUNCA el paquete de batería en una ubicación elevada.



1. Sostenga el paquete de batería en la palma de la mano.
2. Presione el botón de liberación de la batería con el dedo pulgar; el paquete de batería se desacoplará del pestillo.
3. Agarre el paquete de batería y retírelo del cabezal motriz.

⚠ ADVERTENCIA: Para evitar lesiones corporales graves, retire siempre el paquete de batería y mantenga las manos alejadas del botón de fijación en apagado y del interruptor gatillo cuando lleve o transporte la máquina.

ARRANQUE/PARADA DE LA MÁQUINA (Fig. 11)

⚠ ADVERTENCIA: NO UTILICE NUNCA EL CABEZAL MOTRIZ SIN TENER INSTALADO UN ADITAMENTO. No intente arrancar el cabezal motriz antes de conectar el aditamento de sierra de pértiga.

Para arrancar la sierra de pértiga

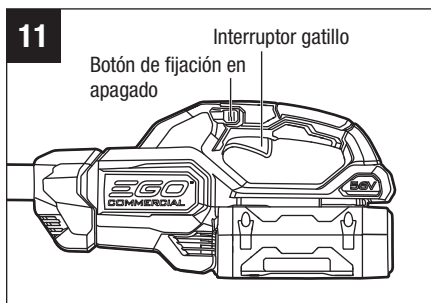
1. Instale el paquete de batería.
2. Asegúrese de que en las proximidades no haya objetos ni obstrucciones que podrían entrar en contacto con la espada y la cadena.
3. Agarre firmemente la empuñadura auxiliar delantera y la empuñadura trasera, usando las dos manos.
4. Presione y mantenga presionado el botón de fijación en apagado y luego apriete el interruptor gatillo para arrancar la sierra. Suelte el botón de fijación en apagado y continúe apretando el interruptor gatillo para que la sierra funcione de manera continua.

⚠ ADVERTENCIA: No intente arrancar la sierra cuando la cadena de la sierra esté en un corte o en contacto con cualquier superficie.

Para detener la sierra de pértiga

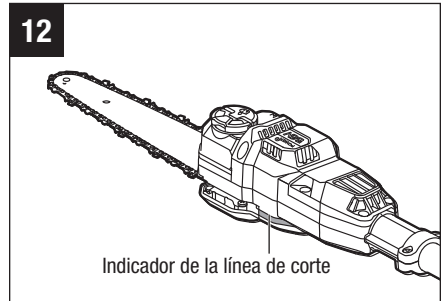
Mueva la sierra de pértiga alejándola del área de corte y luego suelte el interruptor gatillo para detener la sierra de pértiga.

⚠ ADVERTENCIA: Retire siempre el paquete de batería del cabezal motriz durante las pausas de descanso del trabajo y después de acabar el trabajo.



INDICADOR DE LA LÍNEA DE CORTE (Fig. 12)

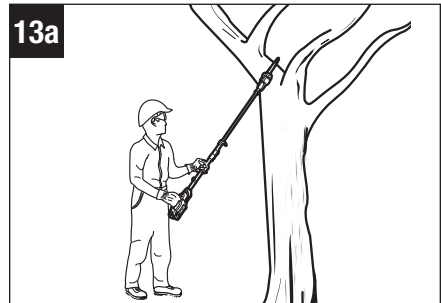
El indicador de la línea de corte está ubicado en la parte delantera del aditamento de sierra de pértiga, en línea con la cadena de la sierra. El indicador de la línea de corte está diseñado para ayudar al usuario a entender exactamente dónde están ubicadas la espada y la cadena en relación con la rama secundaria/primaria que se esté cortando.



TRABAJO CON LA MÁQUINA (Fig. 13)

Preparación para cortar

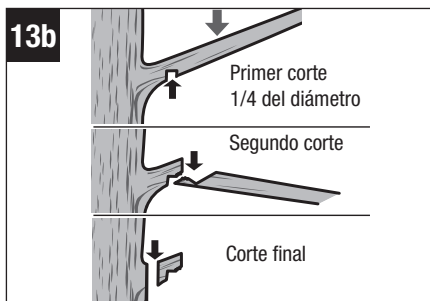
1. Retire el paquete de batería.
2. Asegúrese de que la cadena esté montada adecuadamente y tensada correctamente.
3. Compruebe la cubierta lateral para asegurarse de que esté contra la espada y la cadena de la sierra sin holgura ni daños.
4. Compruebe el nivel de aceite y llene el tanque según sea necesario. Asegúrese de que la cadena esté bien lubricada.
5. Compruebe si los dientes de corte de la cadena de la sierra están afilados.
6. Agarre la sierra de pértiga con las dos manos: con la mano derecha en la empuñadura trasera y la mano izquierda en la empuñadura auxiliar delantera (Fig. 13a).
7. Asegúrese de tener un apoyo de los pies firme y equilibrado. Esté atento a los obstáculos, tales como tocones de árbol, raíces y zanjas, que podrían hacer que tropiece o dé un traspié.
8. Asegúrese de que la cadena de la sierra no esté tocando el piso ni otros objetos.
9. Asegúrese de que el objeto que se esté cortando no exceda la longitud de corte utilizable de la sierra de pértiga. La punta de la espada se mantendrá siempre fuera del contorno del tronco de madera.



Procedimiento de corte básico

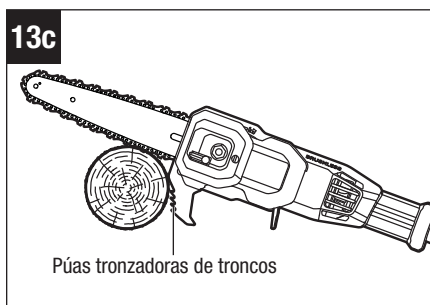
NOTA: Practique cortar unos cuantos troncos pequeños utilizando la siguiente técnica para obtener la “sensación” de utilizar la sierra antes de comenzar una operación de aserrado importante.

Siga los pasos que se indican a continuación para prevenir daños a la corteza del árbol o arbusto. No utilice un movimiento de aserrado hacia detrás y hacia adelante (Fig. 13b).



1. Haga primero un corte poco profundo (1/4 del diámetro de la rama) en la parte inferior de la rama, cerca de la rama principal o del tronco.
2. Haga el segundo corte desde el lado superior de la rama, hacia fuera del primer corte. Continúe el segundo corte a través de la rama hasta que esta se separe del árbol. Esté preparado para equilibrar el peso de la máquina cuando la rama caiga.
3. Haga un corte final cerca del tronco.

AVISO: Para el segundo corte y para el corte final (desde la parte superior de la rama), sostenga las púas tronzadoras de troncos contra la rama que se esté cortando (Fig. 13c). Esto ayudará a estabilizar la rama y hacer que sea más fácil cortarla. Deje que la cadena corte para usted; ejerza solo una ligera presión hacia abajo. Si fuerza el corte, el resultado puede ser daños a la espada, la cadena o el motor.



4. Suelte el interruptor gatillo en cuanto se haya completado el corte.

AVISO: Si no se siguen los procedimientos de corte apropiados, el resultado será que la espada y la cadena se atorarán y quedarán pellizcadas o atrapadas en la rama. Si esto sucede:

1. Pare el motor y retire el paquete de batería.
2. Si la rama se puede alcanzar desde el piso, levántela mientras agarra la sierra. Esto debería soltar el “pellizco” y liberar la sierra.
3. Si la sierra sigue atrapada, llame a un profesional para obtener asistencia.

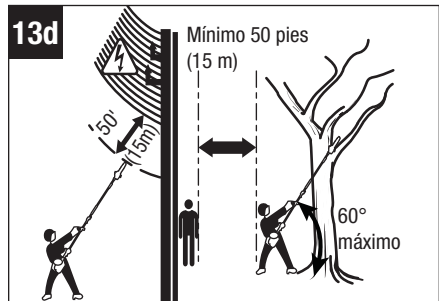
Desrame y poda

Esta sierra de pértiga está diseñada para recortar ramas secundarias pequeñas y ramas primarias de hasta 8 pulgadas (200 mm) de diámetro. Para obtener los mejores resultados, tome las siguientes precauciones:

- Planifique minuciosamente el corte. Tenga en cuenta la dirección en la que la rama caerá.

⚠ ADVERTENCIA: Es posible que las ramas caigan en direcciones inesperadas. No se sitúe directamente debajo de la rama que se esté cortando.

- La aplicación de corte más típica es posicionar la unidad a un ángulo de 60° o menos, dependiendo de la situación específica, de la manera que se muestra en la Fig. 13d. A medida que el ángulo del eje de la sierra de pértiga respecto al piso aumente, la dificultad para hacer el primer corte (desde la parte inferior de la rama) aumentará.



- Retire las ramas largas en varias etapas.
- Corte primero las ramas más bajas para dejar que las ramas superiores tengan más espacio para caer.
- Trabaje despacio, manteniendo las dos manos en la sierra con un agarre firme. Mantenga un apoyo de los pies y un equilibrio seguros.
- Mantenga el árbol entre usted y la cadena mientras corta una rama. Corte desde el lado del árbol opuesto a la rama que esté cortando.
- No corte subido a una escalera de mano; esto es sumamente peligroso. Deje este tipo de operaciones para los profesionales.
- No haga un corte al ras junto a la rama principal o al tronco hasta que haya recortado gran parte de la rama para reducir el peso. Al seguir los procedimientos de corte adecuados se evitará descortezar el miembro principal.

- No utilice la sierra de pértiga para talar o tronzar troncos.
- Para prevenir la electrocución, no utilice la unidad a menos de 50 pies (15 m) de líneas eléctricas elevadas (Fig. 13d).
- Mantenga a los curiosos a una distancia de al menos 50 pies (15 m) (Fig. 13d).

MANTENIMIENTO

⚠ ADVERTENCIA: Cuando haga servicio de ajustes y reparaciones, utilice únicamente piezas de repuesto idénticas. Es posible que el uso de cualquier otra pieza cree un peligro o cause daños al producto. Para garantizar la seguridad y la confiabilidad, todas las reparaciones deberán ser realizadas por un técnico de servicio calificado.

⚠ ADVERTENCIA: Las máquinas a batería no tienen que enchufarse en un tomacorriente; por lo tanto, siempre están en condiciones de funcionamiento. Para prevenir lesiones corporales graves, tome precauciones adicionales y tenga cuidado adicional cuando realice mantenimiento o servicio de ajustes y reparaciones, o para cambiar el aditamento de corte u otros aditamentos.

⚠ ADVERTENCIA: Para prevenir lesiones corporales graves, retire el paquete de batería del cabezal motriz antes de hacer servicio de ajustes y reparaciones, realizar limpieza, cambiar aditamentos adicionales o realizar cualquier mantenimiento, o cuando el producto no se esté utilizando.

⚠ ADVERTENCIA: Use siempre protección de los ojos con escudos laterales marcados para cumplir con la norma ANSI Z87.1. Si no se hace así, el resultado podría ser que se lancen objetos hacia los ojos del operador y se causen posibles lesiones graves.

MANTENIMIENTO GENERAL

Evite utilizar solventes cuando limpie piezas de plástico. La mayoría de los plásticos son susceptibles de sufrir daños causados por diversos tipos de solventes comerciales y es posible que resulten dañados por el uso de dichos solventes. Use paños limpios para eliminar la suciedad, el polvo, el aceite, la grasa, etc.

⚠ ADVERTENCIA: No deje en ningún momento que líquidos de freno, gasolina, productos a base de petróleo, aceites penetrantes, etc., entren en contacto con las piezas de plástico. Las sustancias químicas pueden dañar, debilitar o destruir el plástico, lo cual puede causar lesiones corporales graves.

⚠ ADVERTENCIA: Cuando limpie la sierra de pértiga, NO la sumerja en agua ni otros líquidos.

LIMPIEZA

- Después de cada uso, elimine los residuos de la cadena y la espada con un cepillo blando. Limpie la superficie de la sierra de pértiga con un paño limpio humedecido con una solución de jabón suave.

- Retire la cubierta lateral y luego utilice un cepillo blando para eliminar los residuos de la espada, la cadena de la sierra, el piñón y la cubierta lateral.
- Retire siempre las virutas de madera, el aserrín y la suciedad del surco de la espada cuando reemplace la cadena de la sierra.
- Todo el servicio de ajustes y reparaciones de la sierra de pértiga, que no sea de los elementos indicados en estas instrucciones de mantenimiento, deberá ser realizado por personal competente en el servicio de ajustes y reparaciones de sierras de pértiga.

REEMPLAZO DE LA ESPADA Y LA CADENA DE LA SIERRA

⚠ ADVERTENCIA: Use siempre guantes cuando maneje la espada y la cadena; estos componentes están afilados y es posible que contengan rebabas.

⚠ ADVERTENCIA: No toque ni ajuste nunca la cadena mientras el motor esté en funcionamiento. La cadena de la sierra está muy afilada; use siempre guantes protectores cuando realice mantenimiento de la cadena.

Cuando reemplace la espada y la cadena, utilice siempre la combinación especificada de espada y cadena indicada en la sección **“ACCESORIOS RECOMENDADOS”**.

1. Retire la batería y deje que la sierra se enfríe. Asegúrese de que la tapa del tanque de aceite esté apretada para prevenir las fugas de aceite.
2. Posicione la sierra de pértiga sobre uno de sus lados sobre una superficie firme y plana, de manera que la cubierta lateral esté orientada hacia arriba.
3. Póngase guantes. Retire la cubierta lateral girando la tuerca de la cubierta en sentido contrario al de las agujas del reloj utilizando la llave multifunción. Limpie la cubierta lateral con un paño seco.
4. Retire la espada y la cadena desgastadas de la superficie de montaje.
5. Instale la espada y la cadena de la sierra nuevas siguiendo las instrucciones de **“ENSAMBLAJE DE LA ESPADA Y LA CADENA DE LA SIERRA”** de la sección **“ENSAMBLAJE”**.

AVISO: Este es un buen momento para inspeccionar el piñón de transmisión con el fin de determinar si tiene desgaste excesivo o daños.

MANTENIMIENTO DE LA CADENA

⚠ ADVERTENCIA: Use siempre guantes cuando maneje la cadena de la sierra. La cadena está afilada y es posible que contenga rebabas.

Utilice solo cadenas de bajo retroceso en esta sierra. Esta cadena de corte rápido proporcionará reducción del retroceso cuando se mantenga adecuadamente.

Una cadena de sierra afilada correctamente corta a través de la madera sin esfuerzo, incluso con muy poca presión.

No utilice nunca una cadena de sierra desafilada o dañada. Un cortador de cadena de sierra desafilado causa un mayor esfuerzo físico, mayor carga de vibración, resultados de corte insatisfactorios y mayor desgaste.

Para que las operaciones de corte sean suaves y rápidas, es necesario mantener correctamente la cadena de la sierra. Cuando las virutas de madera sean pequeñas y pulverulentas, cuando la cadena deba ser forzada a través de la madera durante el corte o cuando la cadena corte hacia un lado, esos son los indicadores de que la cadena requiere afilado. Durante el mantenimiento de la cadena de la sierra, considere lo siguiente:

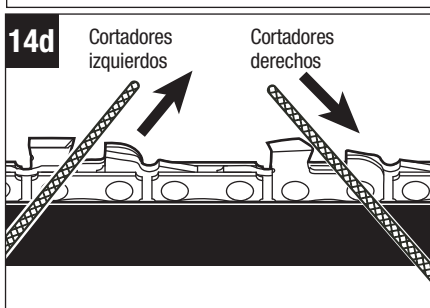
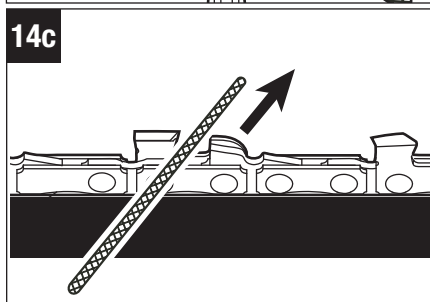
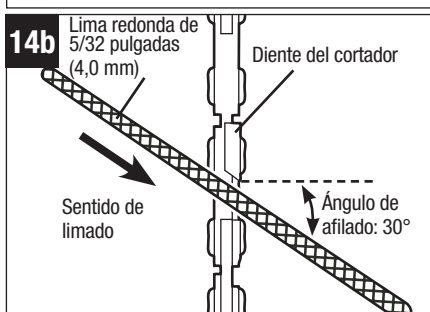
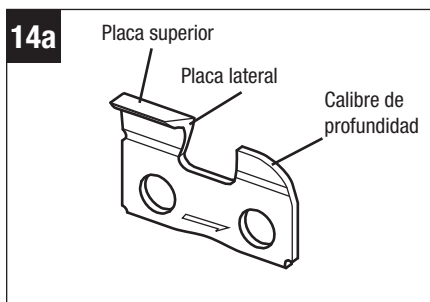
- Un ángulo de limado incorrecto de la placa lateral puede aumentar el riesgo de un retroceso severo.
- La holgura de los dientes limpiadores (calibres de profundidad). Si es demasiado baja se aumenta el potencial de retroceso. Si no es suficientemente baja se reduce la capacidad de corte.
- Si los dientes de los cortadores han golpeado objetos duros, como clavos y piedras, o han sufrido abrasión por lodo o arena presente en la madera, haga que la cadena sea afilada por un técnico de servicio calificado.

AVISO: Inspeccione el piñón de transmisión para determinar si está desgastado o dañado cuando reemplace la cadena. Si hay presentes señales de desgaste o daños en las áreas indicadas, haga que el piñón de transmisión sea reemplazado por un técnico de servicio calificado.

Cómo afilar los cortadores (Fig. 14)

Asegúrese de afilar todos los cortadores (Fig. 14a) conforme a los ángulos especificados y con la misma longitud, ya que solo se puede obtener un corte rápido cuando todos los cortadores son uniformes.

1. Retire el paquete de batería. Use guantes de protección.
2. Asegúrese de que la cadena esté montada adecuadamente y tensada correctamente.
3. Utilice una lima redonda de 5/32 de pulgada (4,0 mm) de diámetro y un portalimas (disponibles por separado). Realice todo el limado en la posición central de la espada.
4. Mantenga la lima nivelada con la placa superior del diente. No deje que la lima se baje u oscile.
5. Mantenga un ángulo de afilado correcto de 30° entre la lima y la cadena de la sierra (vea las Fig. 14b y 14c). Use siempre un portalimas (disponible por separado) cuando afile cadenas de sierra a mano. Los portalimas tienen marcas para el ángulo de afilado.
6. Utilizando una presión ligera pero firme, pase la lima hacia la esquina delantera del diente. Levante la lima alejándola del acero en cada pasada de regreso.



7. Haga unas cuantas pasadas firmes sobre cada diente. Lime todos los cortadores izquierdos en un sentido. Luego, vaya al otro lado y lime los cortadores derechos en sentido contrario. Retire ocasionalmente las limaduras de la lima con un cepillo de alambre (Fig. 14d).

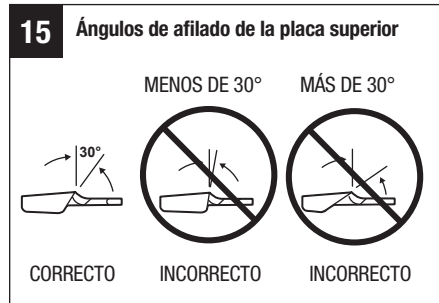
⚠ ADVERTENCIA: Una cadena desafilada o afilada incorrectamente puede causar una velocidad excesiva del motor durante el corte, lo cual puede provocar daños severos al motor.

⚠ ADVERTENCIA: Un afilado incorrecto de la cadena aumenta el potencial de retroceso.

⚠ ADVERTENCIA: Si no se reemplaza o repara una cadena dañada, se pueden causar lesiones graves.

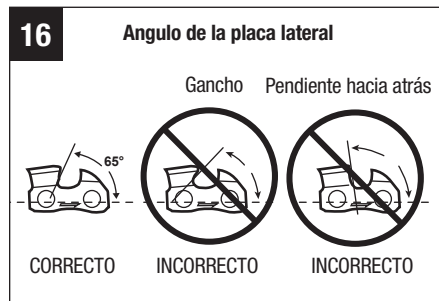
Ángulos de afilado de la placa superior (Fig. 15)

- **CORRECTO 30°:** Este ángulo óptimo se puede obtener solo cuando se utilicen las limas especificadas y la configuración adecuada. Los portalimas están marcados con marcas de guía para alinear la lima correctamente con el fin de producir el ángulo correcto de la placa superior.
- **MENOS DE 30°:** El diente está demasiado desafilado para cortar.
- **MÁS DE 30°:** El borde del diente de corte está biselado y se desafilado rápidamente.



Ángulo de la placa lateral (Fig. 16)

- **CORRECTO 55°:** El ángulo óptimo se puede producir automáticamente si se utiliza una lima de diámetro correcto en el portallimas.
- **GANCHO:** Se “agarra” y se desafilado rápidamente. Aumenta el potencial de RETROCESO. Se produce como resultado de utilizar una lima con un diámetro que es demasiado pequeño o una lima que se sostiene demasiado baja.



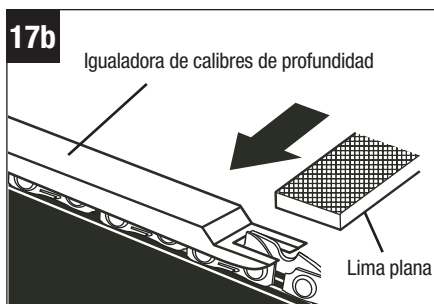
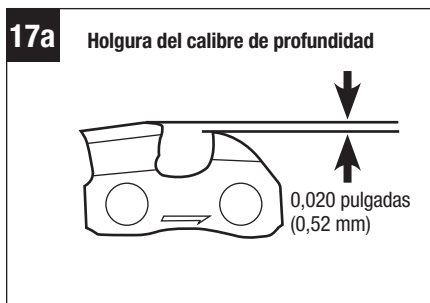
- **PENDIENTE HACIA ATRÁS:** Necesita demasiada presión de avance, causa un desgaste excesivo en la espada y la cadena. Se produce como resultado de utilizar una lima con un diámetro demasiado grande o una lima que se sostiene demasiado alta.

Holgura del calibre de profundidad (Fig. 17)

1. El calibre de profundidad se deberá mantener a una holgura de 0,020 pulgadas (0,52 mm), de la manera que se muestra en la Fig. 17a. Utilice una máquina para calibres de profundidad (disponible por separado) para comprobar las holguras de los calibres de profundidad.
2. Compruebe la holgura del calibre de profundidad cada vez que se lime la cadena.

Utilice una lima plana y una igualadora de calibres de profundidad (ambas disponibles por separado) para bajar todos los calibres uniformemente (Fig. 17b). Las igualadoras de calibres de profundidad están disponibles desde 0,020 hasta 0,035 pulgadas (0,5 a 0,9 mm). Use una igualadora de calibres de profundidad de 0,020 pulgadas (0,52 mm).

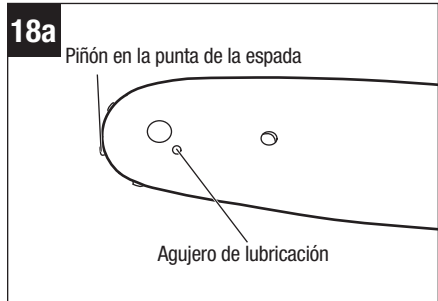
Los calibres de profundidad se deben ajustar con la lima plana en el mismo sentido en que se haya limado el cortador adyacente con la lima redonda. Tenga cuidado de no contactar la cara del cortador con la lima plana cuando ajuste los calibres de profundidad.



MANTENIMIENTO DE LA ESPADA (Fig. 18)

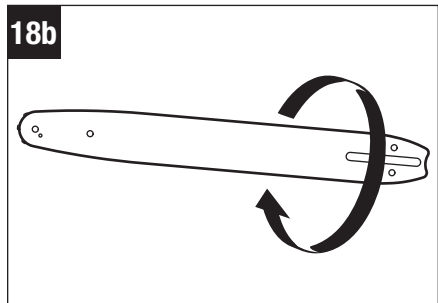
Cuando la espada muestre señales de desgaste, inviértala en la sierra para distribuir el desgaste y así obtener la máxima vida útil de la espada. La espada se deberá limpiar todos los días después del uso y se deberá comprobar si está desgastada y dañada. La formación de salientes o rebabas en los rieles de la espada es un proceso normal de desgaste de la misma. Dichas fallas se deberán alisar con una lima en cuanto ocurran. Una espada con cualquiera de las siguientes fallas deberá ser reemplazada.

- Desgaste dentro de los rieles de la espada que permite que la cadena se asiente lateralmente.
- Espada doblada.
- Rieles agrietados o rotos.
- Rieles separados.
- Además, la espada tiene un piñón en la punta. El piñón se debe lubricar semanalmente con una jeringa de grasa para prolongar la vida útil de la espada. Utilice una jeringa de grasa para lubricar semanalmente con aceite para cadenas a través del agujero de lubricación (Fig. 18a). Voltee la espada y compruebe que los agujeros de lubricación y el surco de la cadena estén libres de impurezas.



Inversión de la espada (Fig. 18b)

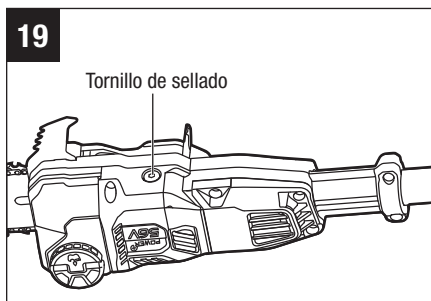
1. Retire la espada y la cadena de la sierra de pértiga siguiendo la sección **“REEMPLAZO DE LA ESPADA Y LA CADENA DE LA SIERRA”**.
2. Retire la cadena de la espada.
3. Voltee la espada. La parte inferior de la espada estará en la parte superior.
4. Reinstale la cadena en la espada.
5. Reensamble la espada y la cadena en la sierra de pértiga de acuerdo con la sección **“REEMPLAZO DE LA ESPADA Y LA CADENA DE LA SIERRA”**.



LUBRICACIÓN DE LOS ENGRANAJES DE TRANSMISIÓN

Los engranajes de transmisión ubicados en la caja de engranajes necesitan ser lubricados periódicamente con grasa para engranajes después de cada 50 horas de funcionamiento.

No llene completamente la caja de engranajes de transmisión.



1. Posicione la sierra de pértiga sobre el lado donde está la cubierta del piñón de la cadena sobre una superficie firme y plana, de manera que el tornillo de sellado esté orientado hacia arriba (Fig. 19).
2. Afloje y retire el tornillo de inyección utilizando una llave Allen de 4 mm (no incluida).
3. Utilice una jeringa de grasa (no incluida) para inyectar 0,0066-0,0088 lb (3-4 g) de grasa en el agujero para el tornillo después de cada 50 horas de funcionamiento.
4. Apriete el tornillo de sellado después de la inyección.

TRANSPORTE Y ALMACENAMIENTO

1. No almacene ni transporte la sierra de pértiga cuando esté en funcionamiento. Retire siempre el paquete de batería antes de almacenar o transportar la sierra.
2. Coloque siempre la funda de la cadena sobre la espada y la cadena antes de almacenar o transportar el aditamento de sierra de pértiga. Tenga precaución para evitar los dientes afilados de la cadena.
3. Limpie minuciosamente la sierra de pértiga antes de almacenarla. Almacene la sierra de pértiga en un lugar interior seco que esté cerrado con llave y/o sea inaccesible para los niños.
4. Mantenga la unidad alejada de los agentes corrosivos, tales como productos químicos de jardín y sales anticongelantes.

RESOLUCIÓN DE PROBLEMAS

PROBLEMA	CAUSA	SOLUCIÓN
El motor no funciona.	<ul style="list-style-type: none"> ■ El paquete de batería no está instalado en la sierra de pértiga. ■ No hay contacto eléctrico entre la sierra y el paquete de batería. ■ La carga del paquete de batería está agotada. ■ El botón de fijación en apagado no se presiona antes de presionar el interruptor gatillo. ■ El paquete de batería o el cabezal motriz están demasiado calientes. ■ La cadena de la sierra está atorada en la madera. ■ Hay residuos en el surco de la espada. ■ Hay residuos en la cubierta lateral. 	<ul style="list-style-type: none"> ■ Instale el paquete de batería en la sierra de pértiga. ■ Retire el paquete de batería, compruebe los contactos y reinstale el paquete de batería. ■ Cargue el paquete de batería. ■ Presione y mantenga presionado el botón de fijación en apagado y luego presione el interruptor gatillo para encender la sierra de pértiga. ■ Deje que el paquete de batería o el cabezal motriz se enfrien hasta que la temperatura baje hasta el intervalo de temperatura de funcionamiento recomendado. ■ Suelte el interruptor gatillo; retire la cadena de la sierra y la espada de la madera, y luego re arranque la sierra de pértiga. ■ Presione la cadena de la sierra contra la madera y mueva la sierra de pértiga hacia detrás y hacia delante para descargar los residuos. ■ Retire el paquete de batería y luego retire la cubierta lateral y elimine los residuos.
El motor funciona, pero la cadena no rota.	<ul style="list-style-type: none"> ■ La cadena no se acopla en el piñón de transmisión. 	<ul style="list-style-type: none"> ■ Retire el paquete de batería y reinstale la cadena, asegurándose de que los eslabones guía de la cadena estén completamente asentados sobre el piñón.

PROBLEMA	CAUSA	SOLUCIÓN
<p>La pértiga telescópica no se puede bloquear firmemente después de presionar la palanca de liberación rápida.</p>	<ul style="list-style-type: none"> ■ El perno y la tuerca ubicados en la palanca de liberación rápida se aflojan. 	<ul style="list-style-type: none"> ■ Apriete firmemente el perno y la tuerca utilizando dos llaves de tubo de 10 mm o dos llaves de tuerca ajustables (no suministradas).
<p>La sierra de pértiga no corta correctamente.</p>	<ul style="list-style-type: none"> ■ Tensión de la cadena insuficiente. ■ La espada y la cadena están sesgadas y no están paralelas a la carcasa. ■ Cadena desafilada. ■ La cadena está instalada al revés. ■ Cadena desgastada. ■ La cadena está seca o excesivamente estriada. ■ La cadena no está en el surco de la espada. 	<ul style="list-style-type: none"> ■ Afloje la tuerca de la cubierta, gire el tornillo tensor en el sentido de las agujas del reloj hasta que la cadena esté tensada correctamente y luego apriete completamente la tuerca de la cubierta. ■ Retire el paquete de batería y reinstale la espada y la cadena de la sierra de acuerdo con la sección "REEMPLAZO DE LA ESPADA Y LA CADENA DE LA SIERRA". Recuerde siempre mantener la espada y la cadena paralelas a la superficie de montaje con una mano antes de instalar la cubierta lateral. ■ Afile los cortadores de la cadena siguiendo la sección "CÓMO AFILAR LOS CORTADORES". ■ Retire el paquete de batería y reinstale la cadena de la sierra, siguiendo la sección "REEMPLAZO DE LA ESPADA Y LA CADENA DE LA SIERRA". ■ Retire el paquete de batería y reinstale la cadena siguiendo la sección "REEMPLAZO DE LA ESPADA Y LA CADENA DE LA SIERRA". ■ Compruebe el nivel de aceite. Si es necesario, rellene el tanque de aceite. ■ Retire el paquete de batería y reinstale la cadena de la sierra, siguiendo la sección "REEMPLAZO DE LA ESPADA Y LA CADENA DE LA SIERRA".

PROBLEMA	CAUSA	SOLUCIÓN
La espada y la cadena funcionan calientes y humean.	<ul style="list-style-type: none">■ El tanque de aceite para cadenas está vacío.■ Hay residuos en el surco de la espada.■ Los cortadores de la cadena están desafilados.	<ul style="list-style-type: none">■ Llene el tanque con lubricante para espadas y cadenas.■ Elimine los residuos del surco.■ Afíle los cortadores de la cadena siguiendo la sección “CÓMO AFILAR LOS CORTADORES”.

GARANTÍA LIMITADA DE EGO

TÉRMINOS Y DURACIÓN DE LA PÓLIZA DE GARANTÍA

Chervon North America, Inc. (“Chervon North America”), proporciona la siguiente Garantía Limitada para los productos EGO al comprador original de productos EGO.

El período de garantía detallado de cada producto EGO se puede encontrar en línea en <http://egopowerplus.com/warranty-policy>.

Sírvase contactar a Servicio al Cliente de EGO llamando gratis al 1-855-EGO-5656 en cualquier momento en que tenga preguntas o reclamos de garantía, o si desea obtener una copia impresa de la garantía.

GARANTÍA LIMITADA DE SERVICIO

Los productos EGO están garantizados contra defectos de material o de fabricación a partir de la fecha de compra minorista original durante el período de garantía aplicable. Para cualquier reclamo de garantía presentado de manera adecuada y oportuna, si Chervon North America determina que un producto presenta algún defecto durante el período de garantía, dicho producto recibirá una reparación o un remplazo gratuitos, según lo determine Chervon North America.

CÓMO OBTENER SERVICIO

Para obtener servicio de garantía, dentro del período de garantía aplicable, sírvase contactar a servicio al cliente de EGO llamando gratis al **1-855-EGO-5656**. Cuando solicite servicio de garantía, deberá presentar el recibo de venta fechado original. Se seleccionará un centro de servicio autorizado para evaluar y reparar el producto si el mismo presenta algún defecto de acuerdo con los términos establecidos en la garantía. Cuando lleve su producto al centro de servicio autorizado, es posible que se requiera un pequeño depósito cuando deje allí su herramienta. Este depósito es reembolsable cuando se considere que el servicio de reparaciones esté cubierto bajo garantía.

LIMITACIONES Y EXCLUSIONES ADICIONALES

Esta garantía limitada se aplica solo al comprador original que realice la compra a un minorista EGO autorizado y no es transferible. Los productos EGO no serán considerados defectuosos, y esta garantía no se aplicará, en los casos en que el

defecto por el que se presente el reclamo sea atribuible a cualquier causa que no sean los defectos definidos anteriormente en este documento. Esta garantía quedará anulada si el producto se ha utilizado para fines de alquiler. Esta garantía no se aplicará a daños causados por accidente, abuso, uso incorrecto, alteración, modificación, reparación no autorizada, contacto con líquidos, incendio, terremoto u otra causa externa; utilización del producto sin seguir las instrucciones, especificaciones o pautas de EGO; o no hacer servicio de ajustes y reparaciones o no mantener adecuadamente el producto. Esta garantía tampoco se aplica a los daños cosméticos, incluyendo, pero sin limitarse a ello, rasguñaduras o abolladuras; defectos causados por el desgaste por el uso normal o defectos que de alguna otra manera se deban al envejecimiento normal del producto.

ESTA GARANTÍA EXPRESA SE DA EN LUGAR DE TODAS LAS DEMÁS GARANTÍAS, EXPRESAS O IMPLÍCITAS, INCLUYENDO, PERO SIN LIMITARSE A ELLO, TODAS LAS GARANTÍAS DE COMERCIALIZACIÓN O IDONEIDAD PARA UN PROPÓSITO O USO ESPECÍFICO, LAS CUALES QUEDAN EXCLUIDAS. Todas las garantías implícitas, incluyendo las garantías de comerciabilidad o idoneidad para un propósito específico, que no se puedan excluir bajo la ley estatal, están limitadas al período de garantía aplicable definido al comienzo de este artículo. El remedio único y exclusivo en conexión con la compra, instalación, uso y/o rendimiento de los productos EGO es la reparación o el reemplazo del producto tal y como lo determine Chervon North America. La responsabilidad máxima de North America no excederá en ningún caso el precio de compra pagado por el producto. CHERVON NORTH AMERICA NO SERÁ RESPONSABLE ANTE EL USUARIO NI ANTE NADIE MÁS POR DAÑOS EMERGENTES, INCIDENTALES, ESPECIALES, EJEMPLARES, INDIRECTOS O PUNITIVOS QUE SURJAN DEL USO DE LOS PRODUCTOS, INCLUYENDO, PERO SIN LIMITARSE A ELLO, LESIONES CORPORALES, MUERTE, DAÑOS MATERIALES, GANANCIAS PERDIDAS U OTROS PERJUICIOS ECONÓMICOS. Esta garantía le confiere a usted derechos legales específicos y es posible que usted tenga también otros derechos que varían de un estado a otro. Algunos estados no permiten limitaciones en cuanto a la duración de una garantía implícita, la exclusión o limitación de los daños incidentales o emergentes, o las limitaciones al tiempo para emprender ciertas acciones legales, por lo que las limitaciones contenidas en el presente documento no se aplican a los consumidores individuales de esos estados.

Esta garantía está sujeta a la ley de Michigan y se interpretará de acuerdo con dicha ley, con independencia de los principios sobre conflictos de leyes. No se emprenderá ninguna acción legal contra Chervon North America a menos que se presente dentro



del plazo de un (1) año después de que se tenga conocimiento de la base de dicha acción legal o de la cual se debiera haber tenido conocimiento con el ejercicio de una diligencia razonable. Se considerará que se ha renunciado a cualquier acción legal que no se presente oportunamente.

Para obtener servicio al cliente, contáctenos llamando gratis al **1-855-EGO-5656** o en **EGOPOWERPLUS.COM**.

EGO Customer Service,
769 Seward Ave. NW, Suite 102,
Grand Rapids, Michigan 49504.

