



OTTER ISLAND - BACK RESTS

Tools needed include Phillips screwdriver and two 7/16 wrenches.

PARTS LIST:

| ITEM | PART | QTY |
|------|---------------------------|-----|
| 1 | Back Rest | 2 |
| 2 | Back Rest Bar | 2 |
| 3 | HXHD bolt 1/4-20 x 3.5 lg | 4 |
| 4 | Nylock nut 1/4-20 | 4 |
| 5 | 1/4 inch washer | 8 |
| 6 | 10-32 x .625 screw | 16 |
| 7 | 2 x 3 hinge | 4 |
| 8 | Drain Plug | 1 |

ASSEMBLY OF UNIT

1. Lay backrest (item 1) so top surface is on a table.
2. Set back rest bar (item 2) in groove as shown in figure A.
3. Put 1/4 inch washer (item 5) on bolt (item 3) then put bolt thru back rest and bar shown in figure A.
4. Put washer (item 5) and nut (item 4) on bolt (item 3) tighten until nylon part of nut (item 4) is past end of bolt (item 3).
5. Align hinges (item 7) to inserts in backrest and put in and tighten screws (item 6). Caution over tightening of screws will cause heads to twist off.
6. Repeat steps 1-5 on second backrest.
7. Set one backrest assembly onto raft top facing down, with hinges in place line up hinge holes and raft inserts and put screws (item 6) thru hinge holes and into raft insert till tight. Caution over tightening of screws will cause heads to twist off. See figure B.
8. Repeat step 7 with second backrest assembly.
9. **Add drain plug to raft before putting in water.**

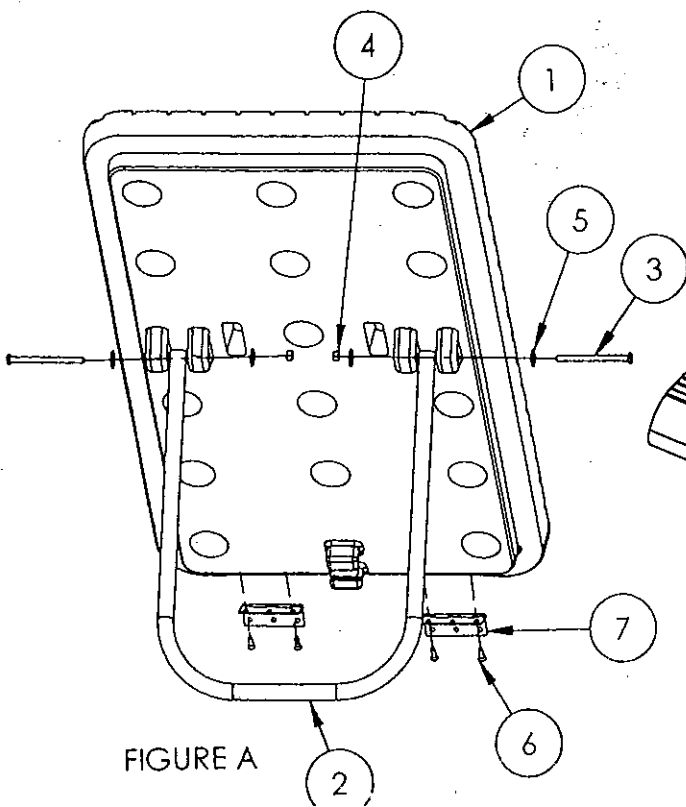


FIGURE A

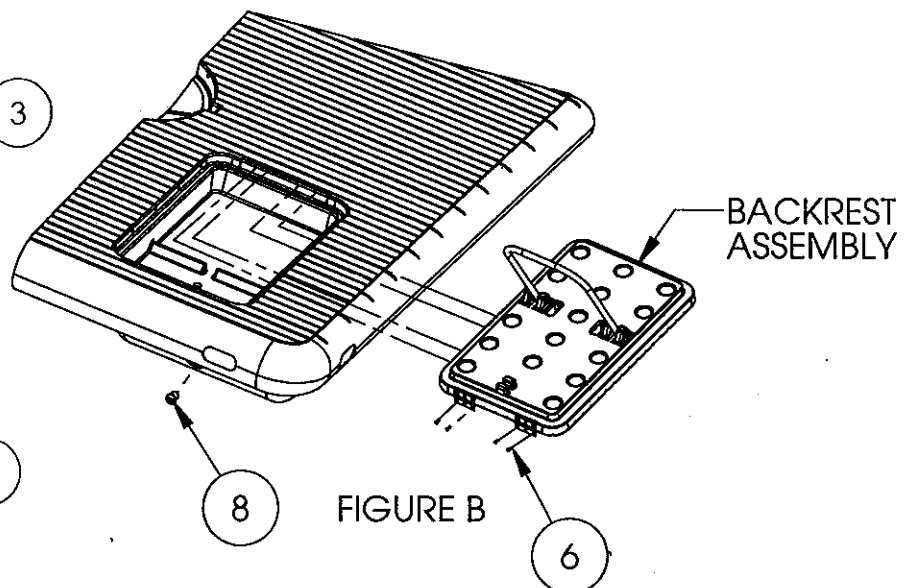


FIGURE B