

Kress

Commercial



Articulating Hedge Trimmer attachment	EN	P02
Accesorio para podadora de setos articulada	ES	P13
Accessoire de taille-haie articulé	F	P25
KAC200		

TABLE OF CONTENTS

Introduction.....	2
Component List.....	3
Product Safety.....	4
Assembly & Operation.....	7
Transportation.....	10
Maintenance.....	10
Cleaning.....	11
Storage.....	11
Troubleshooting.....	12
Technical Data.....	12

EN

INTRODUCTION

Dear Customer,

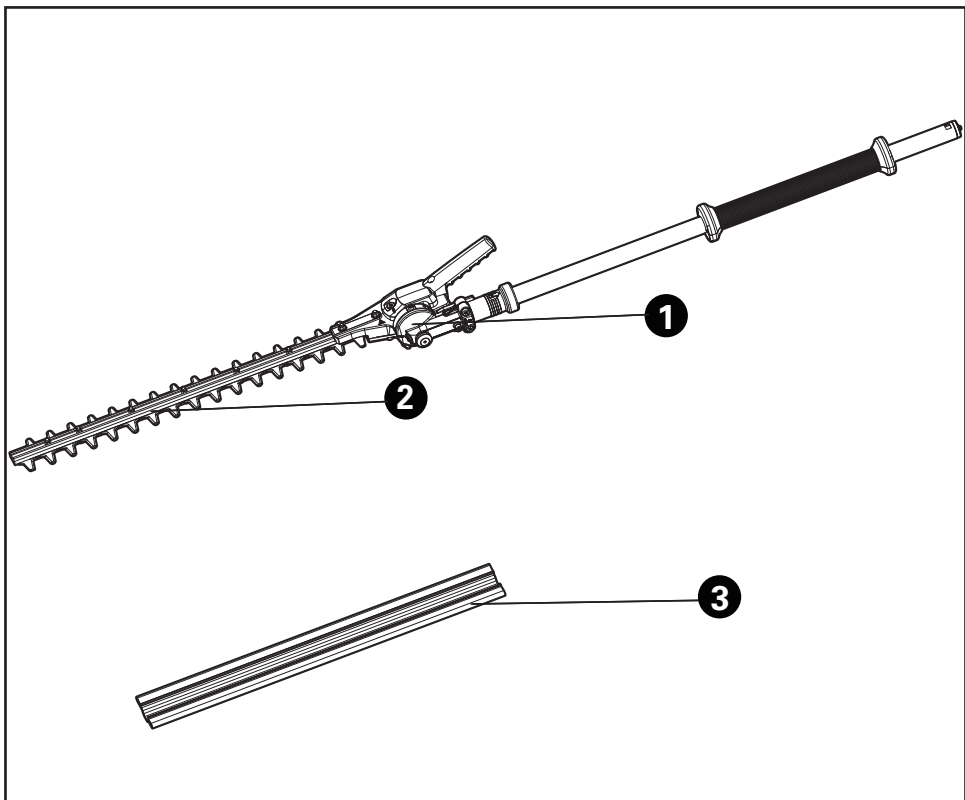
Thank you for buying this Kress Commercial product. We are dedicated to developing high quality products to meet your commercial landscaping requirements.

The Kress brand is synonymous with premium quality service. Over the years of your product's life, if you have any questions or concerns about your product, please contact your dealer or our Customer Service Team for assistance.

We are confident you will enjoy working with your Kress product for years to come.

INTENDED USE


In conjunction with KAC104 - Power Head, this machine is intended for cutting and trimming hedges and bushes in light and heavy commercial use.



COMPONENT LIST


- | | |
|----|--|
| 1. | ARTICULATING GEAR CASE (THE ANGLE CAN BE ADJUSTED) |
| 2. | BLADE |
| 3. | BLADE SHEATH |

PRODUCT SAFETY


 **WARNING:** Some dust created by power sanding, sawing, grinding, drilling and other construction activities contains chemicals known to the state of California to cause cancer, birth defects or other reproductive harm. Some examples of these chemicals are:

- Lead from lead-based paints;
- Crystalline silica from bricks and cement and other masonry products;
- Arsenic and chromium from chemically-treated lumber.

Your risk from these exposures varies, depending on how often you do this type of work. To reduce your exposure to these chemical: work in a well ventilated area, and work with approved safety equipment, such as those dust masks that are specially designed to filter out microscopic particles.

 **WARNING:** This product can expose you to chemicals including lead and Di (2-ethylhexyl) phthalate (DEHP) which are known to the State of California to cause cancer and birth defects or other reproductive harm. For more information go to www.P65Warnings.ca.gov.

GENERAL OUTDOOR POWER EQUIPMENT SAFETY WARNINGS

 **WARNING** Read all safety warnings, instructions, illustrations and specifications provided with this outdoor power equipment. Failure to follow the warnings and instructions may result in electric shock, fire and/or serious injury.

Save all warnings and instructions for future reference.

The term “outdoor power equipment” in the warnings refers to your mains-operated (corded) outdoor power equipment or battery-operated (cordless) outdoor power equipment.

1. Work area safety

- Keep work area clean and well lit.** Cluttered or dark areas invite accidents.
- Do not operate outdoor power equipments in explosive atmospheres, such as in the presence of flammable liquids, gases or dust.** Outdoor power equipments create sparks which may ignite the dust or fumes.
- Keep children and bystanders away while operating a outdoor power equipment.** Distractions can cause you to lose control.

2. Electrical safety

- Outdoor power equipment plugs must match**

the outlet. Never modify the plug in any way. Do not use any adapter plugs with earthed (grounded) outdoor power equipments. Unmodified plugs and matching outlets will reduce risk of electric shock.

- Avoid body contact with earthed or grounded surfaces, such as pipes, radiators, ranges and refrigerators.** There is an increased risk of electric shock if your body is earthed or grounded.
- Do not operate the machine in rain or wet conditions.** Water entering the machine may increase the risk of electric shock or malfunction that could result in personal injury. Once got wet in the rain during operation, the machine and the battery should be dried before storing or charging. Remove the battery and reinsert it if the machine fails to turn on. Keep battery connection free of dirt and debris, and clean with a soft and dry brush or cloth.
- Do not abuse the cord. Never use the cord for carrying, pulling or unplugging the outdoor power equipment. Keep cord away from heat, oil, sharp edges or moving parts.** Damaged or entangled cords increase the risk of electric shock.
- When operating a outdoor power equipment outdoors, use an extension cord suitable for outdoor use.** Use of a cord suitable for outdoor use reduces the risk of electric shock.
- If operating a outdoor power equipment in a damp location is unavoidable, use a residual current device (RCD) protected supply.** Use of an RCD reduces the risk of electric shock.

3. Personal safety

- Stay alert, watch what you are doing and use common sense when operating a outdoor power equipment. Do not use a outdoor power equipment while you are tired or under the influence of drugs, alcohol or medication.** A moment of inattention while operating outdoor power equipments may result in serious personal injury.
- Use personal protective equipment. Always wear eye protection.** Protective equipment such as dust mask, non-skid safety shoes, hard hat, or hearing protection used for appropriate conditions will reduce personal injuries.
- Prevent unintentional starting. Ensure the switch is in the off-position before connecting to power source and/or battery pack, picking up or carrying the tool.** Carrying outdoor power equipments with your finger on the switch or energising outdoor power equipments that have the switch on invites accidents.
- Remove any adjusting key or wrench before turning the outdoor power equipment on.** A wrench or a key left attached to a rotating part of the outdoor power equipment may result in personal injury.
- Do not overreach. Keep proper footing and balance at all times.** This enables better control of the outdoor power equipment in unexpected

situations.

- f) **Dress properly. Do not wear loose clothing or jewellery. Keep your hair, clothing and gloves away from moving parts.** *Loose clothes, jewellery or long hair can be caught in moving parts.*
 - g) **If devices are provided for the connection of dust extraction and collection facilities, ensure these are connected and properly used.** *Use of dust collection can reduce dust-related hazards.*
 - h) **Do not let familiarity gained from frequent use of tools allow you to become complacent and ignore tool safety principles.** *A careless action can cause severe injury within a fraction of a second.*
- 4. Outdoor power equipment use and care**
- a) **Do not force the outdoor power equipment. Use the correct outdoor power equipment for your application.** *The correct outdoor power equipment will do the job better and safer at the rate for which it was designed.*
 - b) **Do not use the outdoor power equipment if the switch does not turn it on and off.** *Any outdoor power equipment that cannot be controlled with the switch is dangerous and must be repaired.*
 - c) **Disconnect the plug from the power source and/or the battery pack from the outdoor power equipment before making any adjustments, changing accessories, or storing outdoor power equipments.** *Such preventive safety measures reduce the risk of starting the outdoor power equipment accidentally.*
 - d) **Store idle outdoor power equipments out of the reach of children and do not allow persons unfamiliar with the outdoor power equipment or these instructions to operate the outdoor power equipment.** *Outdoor power equipments are dangerous in the hands of untrained users.*
 - e) **Maintain outdoor power equipments. Check for misalignment or binding of moving parts, breakage of parts and any other condition that may affect the outdoor power equipment's operation. If damaged, have the outdoor power equipment repaired before use.** *Many accidents are caused by poorly maintained outdoor power equipments.*
 - f) **Keep cutting tools sharp and clean.** *Properly maintained cutting tools with sharp cutting edges are less likely to bind and are easier to control.*
 - g) **Use the outdoor power equipment, accessories and tool bits etc. in accordance with these instructions, taking into account the working conditions and the work to be performed.** *Use of the outdoor power equipment for operations different from those intended could result in a hazardous situation.*
 - h) **Keep handles and grasping surfaces dry, clean and free from oil and grease.** *Slippery handles and grasping surfaces do not allow for safe handling and control of the tool in unexpected situations.*

5. Battery tool use and care

- a) **Recharge only with the charger specified by the manufacturer.** *A charger that is suitable for one type of battery pack may create a risk of fire when used with another battery pack.*
- b) **Use outdoor power equipments only with specifically designated battery packs.** *Use of any other battery packs may create a risk of injury and fire.*
- c) **When battery pack is not in use, keep it away from other metal objects, like paper clips, coins, keys, nails, screws or other small metal objects, that can make a connection from one terminal to another.** *Shorting the battery terminals together may cause burns or a fire.*
- d) **Under abusive conditions, liquid may be ejected from the battery; avoid contact. If contact accidentally occurs, flush with water. If liquid contacts eyes, additionally seek medical help.** *Liquid ejected from the battery may cause irritation or burns.*
- e) **Do not use a battery pack or tool that is damaged or modified.** *Damaged or modified batteries may exhibit unpredictable behaviour resulting in fire, explosion or risk of injury.*
- f) **Do not expose a battery pack or tool to fire or excessive temperature.** *Exposure to fire or temperature above 130 °C may cause explosion.*
- g) **Follow all charging instructions and do not charge the battery pack or tool outside the temperature range specified in the instructions.** *Charging improperly or at temperatures outside the specified range may damage the battery and increase the risk of fire.*

6. Service

- a) **Have your outdoor power equipment serviced by a qualified repair person using only identical replacement parts.** *This will ensure that the safety of the outdoor power equipment is maintained.*
- b) **Never service damaged battery packs.** *Service of battery packs should only be performed by the manufacturer or authorized service providers.*

HEDGE TRIMMER SAFETY WARNINGS

- a) **Keep all parts of the body away from the blade. Do not remove cut material or hold material to be cut when blades are moving.** *Blades continue to move after the switch is turned off. A moment of inattention while operating the hedge trimmer may result in serious personal injury.*
- b) **Carry the hedge trimmer by the handle with the blade stopped and taking care not to operate any power switch.** *Proper carrying of the hedge trimmer will decrease the risk of inadvertent starting and resultant personal injury from the blades.*
- c) **When transporting or storing the hedge**

trimmer, always fit the blade sheath. *Proper handling of the hedge trimmer will decrease the risk of personal injury from the blades.*

- d) **When clearing jammed material or servicing the unit, make sure all power switches are off and the battery pack is removed or disconnected.** *Unexpected actuation of the hedge trimmer while clearing jammed material or servicing may result in serious personal injury.*
- e) **Hold the hedge trimmer by insulated gripping surfaces only, because the blade may contact hidden wiring.** *Blades contacting a "live" wire may make exposed metal parts of the hedge trimmer "live" and could give the operator an electric shock.*
- f) **Keep all power cords and cables away from cutting area.** *Power cords or cables may be hidden in hedges or bushes and can be accidentally cut by the blade.*
- g) **Do not use the hedge trimmer in bad weather conditions, especially when there is a risk of lightning.** *This decreases the risk of being struck by lightning.*
- h) **Check the hedges and bushes for foreign objects, e.g. wire fences and hidden wiring.**
- i) **Hold the hedge trimmer properly, e.g. with both hands if two handles are provided.**
- j) **The hedge trimmer is intended to be used by the operator at ground level and not on ladders or any other unstable support.**
- k) **Before operating the hedge trimmer, the user should make sure the locking device(s) of any moving elements (e.g. the extended shaft and pivoting element), if any, are in the locked position.**
- l) **Have any adjustable stopping mechanism maintained at regular intervals.**

POLE HEDGE TRIMMER SAFETY WARNINGS

- a) **To reduce the risk of electrocution, never use the extended-reach hedge trimmer near any electrical power lines.** *Contact with or use near power lines may cause serious injury or electric shock resulting in death.*
- b) **Always use two hands when operating the extended-reach hedge trimmer.** *Hold the extended-reach hedge trimmer with both hands to avoid loss of control.*
- c) **Always use head protection when operating the extended-reach hedge trimmer overhead.** *Falling debris can result in serious personal injury.*

SAFETY WARNINGS FOR BATTERY PACK

- a) **Do not dismantle, open or shred battery pack.**
- b) **Do not expose battery pack to heat or fire.** **Avoid storage in direct sunlight.**
- c) **Do not short-circuit a battery pack. Do not store**

battery packs haphazardly in a box or drawer where they may short-circuit each other or be short-circuited by other metal objects. *When battery pack is not in use, keep it away from other metal objects, like paper clips, coins, keys, nails, screws or other small metal objects, that can make a connection from one terminal to another. Shorting the battery terminals together may cause burns or fire.*

- d) **Do not subject battery pack to mechanical shock.**
- e) **In the event of battery leaking, do not allow the liquid to come in contact with the skin or eyes.** **If contact has been made, wash the affected area with copious amounts of water and seek medical advice.**
- f) **Do not use any battery pack which is not designed for use with the equipment.**
- g) **Keep battery pack out of the reach of children.**
- h) **Always purchase the battery pack recommended by the device manufacturer for the equipment.**
- i) **Keep battery pack clean and dry.**
- j) **Wipe the battery pack terminals with a clean dry cloth if they become dirty.**
- k) **Battery pack needs to be charged before use.** **Always use the correct charger and refer to the manufacturer's instructions or equipment manual for proper charging instructions.**
- l) **Do not leave battery pack on prolonged charge when not in use.**
- m) **After extended periods of storage, it may be necessary to charge and discharge the battery pack several times to obtain maximum performance.**
- n) **Recharge only with the charger specified by Kress. Do not use any charger other than that specifically provided for use with the equipment.**
- o) **Retain the original product literature for future reference.**
- p) **Use only the battery pack in the application for which it was intended.**
- q) **Remove the battery pack from the equipment when not in use.**
- r) **Dispose of properly.**
- s) **Do not mix cells of different manufacture, capacity, size or type within a device.**
- t) **Keep the battery away from microwaves and high pressure.**


SYMBOLS



To reduce the risk of injury, user must read instruction manual



Warning

	Wear eye protection
	Wear ear protection
	Wear dust mask
	Keep hands away from blade
	Keep sufficient distance away from electrical power lines
	Wear head protection
	Wear protective gloves
 Li-Ion	Li-Ion battery, battery must be recycled
	Do not burn
	Batteries may enter water cycle if disposed improperly, which can be hazardous for ecosystem. Do not dispose of waste batteries as unsorted municipal waste.



call2recycle

POSITEC Inc. has established a partnership with the RBRC Corporation to recycle any Positec batteries with the RBRC-call2recycle seal. For environmental protection, please do not discard batteries in the trash. After the batteries' life cycle is ended, then please call 1-800-822-8837 for a free service that will properly dispose of the battery.

ASSEMBLY & OPERATION

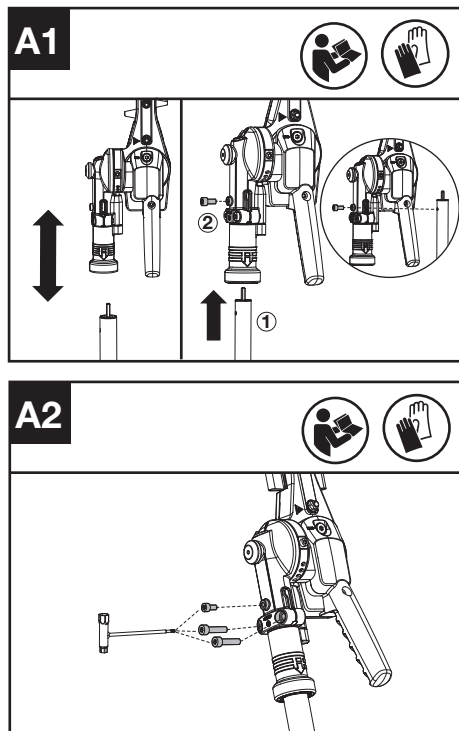


NOTE: Before using the tool, read the instruction book carefully.



BEFORE OPERATION:

Assembling the Cutting Attachment (See Fig. A1, A2)



Attach the cutting attachment to the pole, making sure that the cutting attachment completely covers the white part of the label. Tighten the screws.

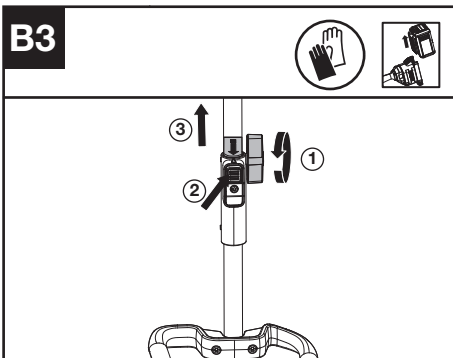
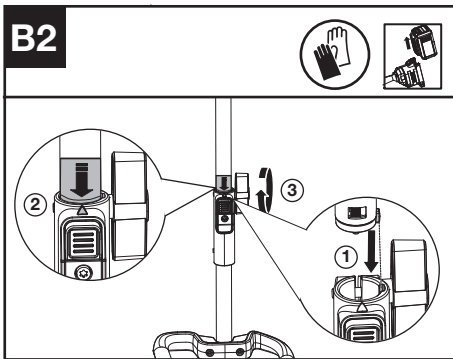
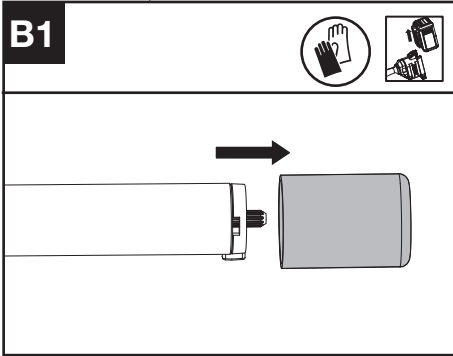
NOTE: Please keep the blade vertically facing upwards.

Assembling and disassembling the Power head attachment. (See Fig. B1, B2, B3)

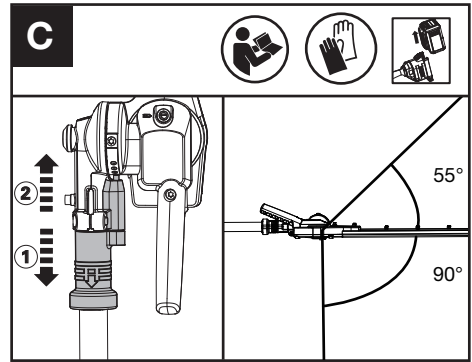
1. Remove the protective cap from the end of the attachment shaft.
2. To assemble, align the triangle icon on the button with the arrow label on the attachment shaft.
3. Push the shafts together until you hear a "click". The edge of the arrow label should be close to the shaft connection housing. (Note: If the hedge trimmer attachment cannot be fully installed into the power head, rotate the hedge trimmer attachment a little until it is possible to insert the

shaft fully.)

4. Finish the assembly by tightening the knob clockwise.
5. To disassemble, loosen the knob, turn counter clockwise, then press the release button and pull the shafts apart. Replace the protective cap on the attachment shaft to ensure that dust and debris do not get into the shaft.



Adjust the blade angle (See Fig. C)

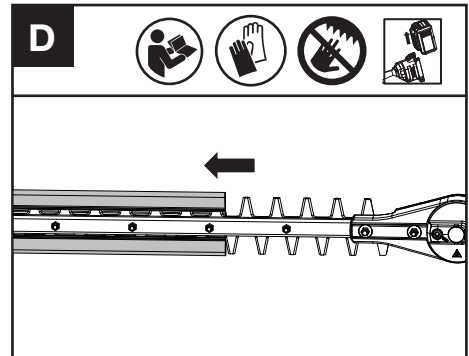


! **WARNING!** Please remove battery pack before adjusting the blade angle.

! **WARNING!** Please keep the blade sheath properly fitted during adjusting the blade angle.

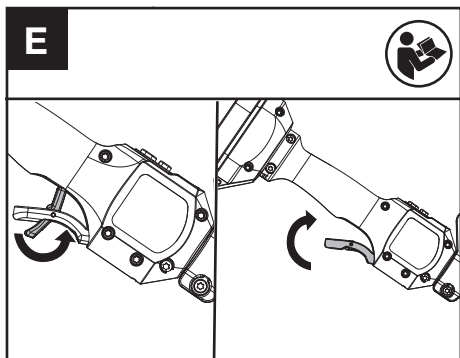
1. Pull the adjustment collar down, select the desired blade angle and release the adjustment collar. Make sure the holes are aligned and inserted.
2. The angle of the cutting blades can be adjusted to 55 degrees upwards and 90 degrees downwards.

Before usage, remove the Blade Sheath first. (See Fig. D)



OPERATION:

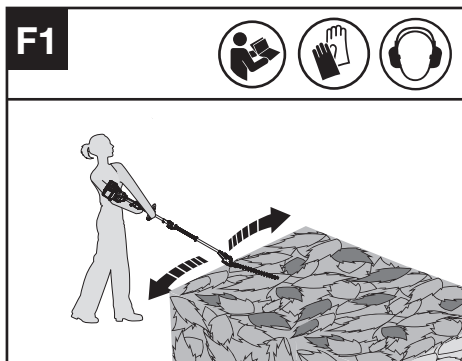
Starting the hedge trimmer (See Fig. E)



1. Push the Safety Lock Off Lever forward first, then squeeze and hold the throttle trigger to start the machine

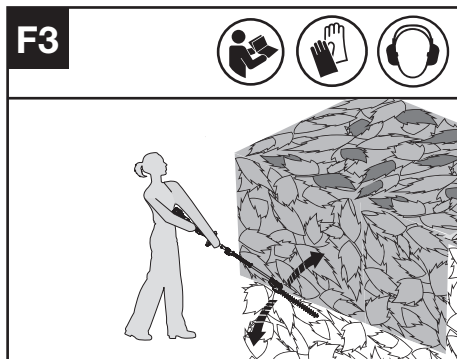
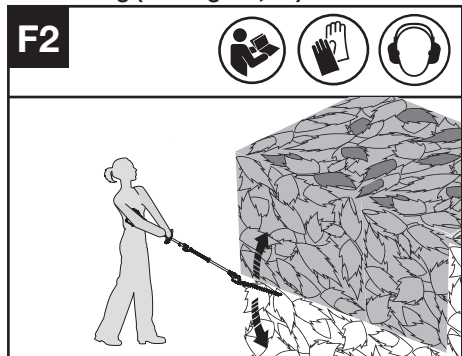
NOTE: More details can be found in the power head manual.

Cutting parallel to the ground (See Fig. F1)



1. Keep the blades parallel to the ground.
2. Walk slowly and steadily forward.

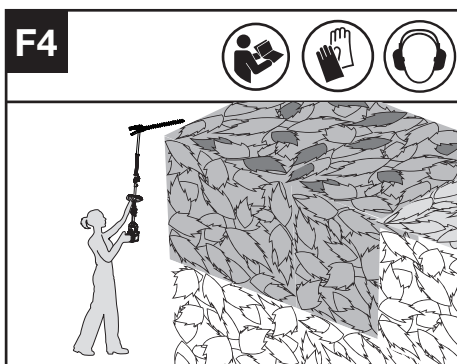
Side cutting (See Fig. F2, F3)



If it is necessary to cut at a certain distance from the hedge (flowerbed): set the cutting attachment at the appropriate angle.

When trimming the sides of the hedge, begin at the bottom and cut upwards, tapering the hedge inward at the top. In this way, the shape will expose more of the hedge, resulting in a more uniform growth.

Cutting overhead (See Fig. F4)



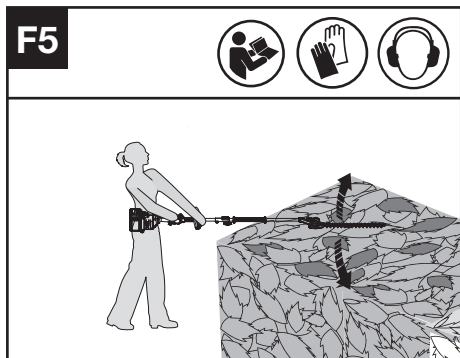
Hold the hedge trimmer vertically and swing it in an arc for maximum Working distance.

WARNING: Working at heights above shoulder level can be tiring. To reduce the risk of injury due to fatigue, avoiding placing the rear hand on a control handle higher than shoulder height. Adjust the blade angle to the most comfortable angle, keeping the machine at a lower, less fatiguing position while ensuring sufficient reach. Take regular breaks.

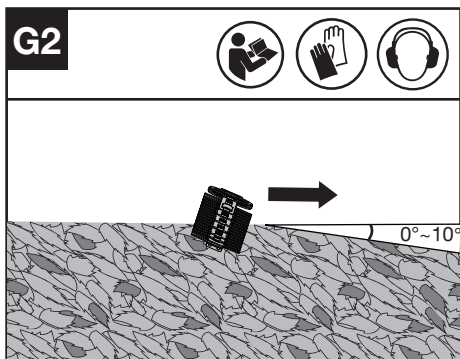
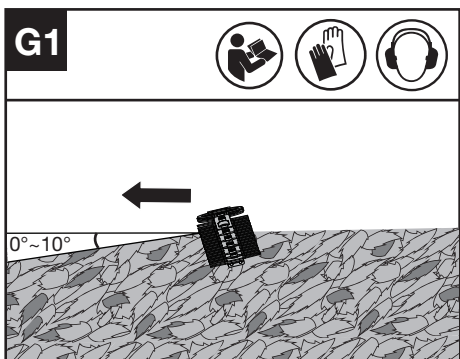
Top cutting (See Fig. F5)

Use a wide sweeping motion. A slight downward tilt of the cutting blades in the direction of motion gives the best cutting results.

WARNING: If any parts are missing, damaged or broken, do not operate your hedge trimmer until all damaged parts have been replaced or repaired. Failure to do so could result in serious personal injury.



Adjusting the cutting angle (See Fig. G1 G2)



Horizontally move the machine, cut using one side of the blade, and keep the blade at an angle of 0 to 10 degrees.

How to Use your Hedge trimmer

Before cutting an area, inspect it first and remove any foreign objects that could become thrown or entangled in the blades. Always hold the trimmer with both hands and with the blade away from you before turning it on.

When trimming new growth, use a wide sweeping action so that the stems are fed directly into the blade.

Allow the cutting blades to reach full speed before cutting. When operating, keep the cutting blades away from people and objects such as walls, large stones, trees, vehicles, etc.

If the blade stalls, immediately stop the trimmer. Release the two Switch Levers before attempting to clear jammed debris from the cutting blades.

Wear gloves when trimming thorny or prickly growth.

Do not attempt to cut stems that are too thick for the cutting blade.

TRANSPORTATION

Transporting the trimmer

1. Switch off the trimmer and remove the battery.
2. When transporting your trimmer by hand, hold the middle of front handle to make sure that your machine is parallel to the ground.
3. When transporting your trimmer in a vehicle, secure and position it to prevent movement or damage.

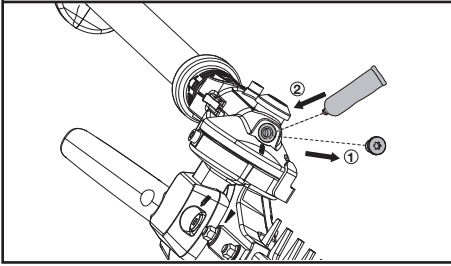
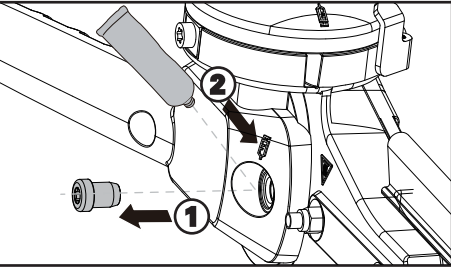
MAINTENANCE

WARNING! Always remove battery before conducting any maintenance on the trimmer. Please wait for the machine to cool down before performing maintenance.

Remove the battery from hedge trimmer before carrying out any adjustment, servicing or maintenance.

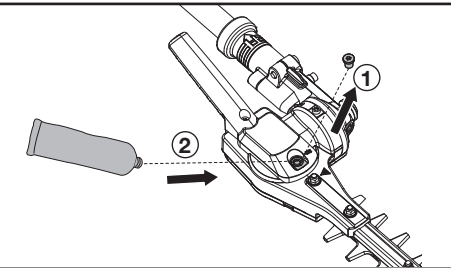
There are no user serviceable parts in your outdoor power equipment. Always store your outdoor power equipment in a dry place. Keep the motor ventilation slots clean. Keep all working controls free of dust.

Lubricating the Cutting Attachment (See Fig. H1, H2)

H1**H2**

1. Remove the screw plug from the gear housing and inject some grease into housing.
2. Tighten the screw.

Lubricating the Cutting Attachment (See Fig. H3)

H3

1. Remove the screw plug from the gear housing and inject some grease into housing.
2. Tighten the screw.

Sharpening

WARNING: Do not operate your machine with dull or damaged cutting blades, which will cause overload and unsatisfactory performance. When cutting performance begins to deteriorate, please have the blade resharpened by a professional. Always wear protective gloves when handling the trimmer blade and only sharpen the cutting edge.

Only sharpen the cutting edge. Do not grind blunt projecting parts of the cutting blade or its guard. Use a whetstone to remove burr from cutting edge. After sharpening, clean away the dust from the blade in a safe manner.

Cleaning the Blade

Spray both sides of the cutting blade with resin solvent, insert the battery and turn on the hedge trimmer for a few seconds, this will ensure even distribution of the resin solvent across the entire cutting blade.

NOTE: Please refrain from using a high-pressure cleaning machine to clean the blades, and avoid using any liquids other than resin solvent.

CLEANING

1. Switch off the trimmer and remove the battery.
1. Do not use aggressive detergents or solvents. Clean the machine after use with a damp cloth dipped in mild detergent.
2. Keep battery connection free of dirt and debris, and clean with a soft and dry brush or cloth.
3. Do not spray water onto the motor and electrical components.

STORAGE

1. Remove the battery pack from the trimmer before storage.
2. Store the trimmer and the battery in a dry and secure place that is inaccessible to children and other unauthorized people.
3. If the machine becomes wet in the rain during operation, the machine and the battery should be dried before storing or charging. Remove the battery and reinsert it if the machine fails to turn on.

FOR BATTERY TOOLS

The recommended ambient temperature range for discharging is -4°F~113°F (-20°C~45°C). The recommended ambient temperature range for the charging system during charging is 23°F~113°F (-5°C~45°C).

TROUBLESHOOTING

The following table gives problems and actions that you can perform if your machine does not operate correctly.



WARNING: Switch the machine off and remove the battery prior to any troubleshooting.

TRIMMER

Problems	Possible Causes	Corrective Action
Battery indicator LED flashing	Low battery voltage.	Charge the battery.
Red error LED flashing	Overload.	The cutting attachment is jammed, deactivate the product and then lower machine for remove. Remove the battery. Clean the cutting attachment from unwanted materials.
	Temperature issue.	Let the product cool down.
	Other problems	Contact Service Agent
The product does not start	Deris in the battery connectors.	Clean the battery connectors with compressed air or a soft brush.
	Other problems	Contact Service Agent.
Trimmer runs intermittently	The battery is not fully inserted to the machine.	Insert the battery fully.
	Potential electrical issue.	Contact Service Agent.
Excessive vibrations/ noise.	Cutting attachment issue. Machine defective.	Replace cutting attachment. Contact Service Agent.

TECHNICAL DATA

Type Designation: **KAC200 (2- designation of machinery, representative of cordless hedge trimmer)**

	KAC200
Blade length	22" (55cm)
Tooth spacing	1.34" (34 mm)
Degree of protection	IPX4
Machine Weight (Bare tool)	6.0 lbs (2.7 kg)

Positec USA, Inc. Charlotte, NC 28216 USA

TABLA DE CONTENIDO

Introducción.....	13
Lista de componentes.....	14
Instrucciones de seguridad.....	15
Ensamblaje y Operación.....	19
Transporte.....	22
Mantenimiento	22
Limpieza.....	23
Almacenamiento.....	23
Solución de problemas.....	24
Datos técnicos.....	24

ES

INTRODUCCIÓN

Estimado Cliente,

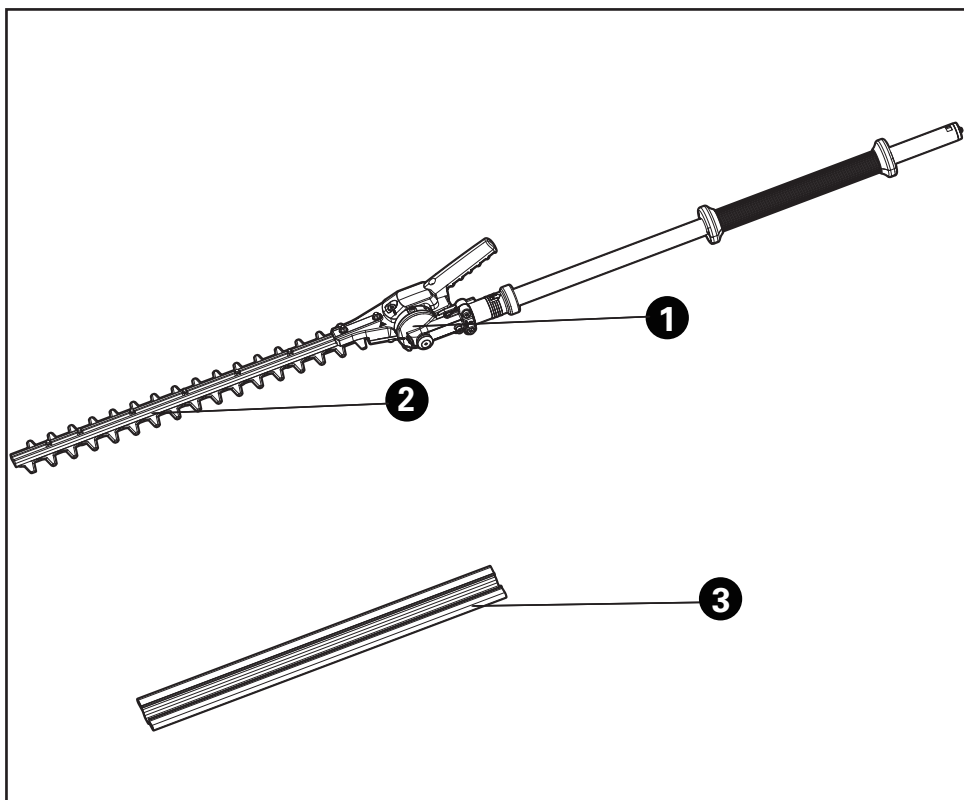
Gracias por comprar este producto Kress Commercial. Nos dedicamos a desarrollar productos de alta calidad para satisfacer sus necesidades de paisajismo comercial.

Kress respalda un servicio de calidad superior. Durante la vida útil de su producto, si tiene alguna pregunta o duda sobre su producto, póngase en contacto con su distribuidor o con nuestro equipo de atención al cliente para que reciba asistencia.

Esperamos que disfrute trabajar con su producto Kress.

USO PREVISTO

En combinación con KAC104 - Cabezal motorizado, esta máquina está destinada para el corte y poda, de uso comercial ligero y pesado, de setos y arbustos.



ES

LISTA DE COMPONENTES

1. CAJA DE ENGRANAJES ARTICULADA (EL ÁNGULO SE PUEDE AJUSTAR)
2. CUCHILLA
3. FUNDA DE LA CUCHILLA

SEGURIDAD DEL PRODUCTO



ADVERTENCIA! Este producto podría contener plomo, ftalato y otros químicos identificados por el Estado de California como causantes de cáncer, defectos congénitos y otras lesiones reproductivas. Lave sus manos después de cada uso.

- El plomo de las pinturas a base de plomo.
- La sílice cristalina de los ladrillos, del cemento y de otros productos de albañilería.
- El arsénico y el cromo de la madera tratada químicamente.

El riesgo que se corre a causa del contacto con esos productos varía según la frecuencia con que usted realice este tipo de trabajos. Con el fin de reducir su exposición a esas substancias químicas: trabaje en un área bien ventilada; utilice un equipo de seguridad adecuado, tal como una máscara contra el polvo especialmente diseñada para filtrar partículas microscópicas.



ADVERTENCIA: Este producto puede exponerlo a sustancias químicas, como plomo y di (2-etilhexilo) ftalato (DEHP), que el estado de California reconoce como causantes de cáncer y defectos de nacimiento u otros daños reproductivos. Para más información visite www.P65Warnings.ca.gov.

ADVERTENCIAS GENERALES DE SEGURIDAD PARA EQUIPOS ELÉCTRICOS DE USO EN EXTERIORES



ADVERTENCIA! Lea y comprenda todas las instrucciones. El no seguir todas las instrucciones a continuación puede ocasionar descargas eléctricas, incendios y/o heridas graves.

Conservar todas las advertencias e instrucciones para consulta futura.

El término “herramienta eléctrica” que figura en todas las advertencias que aparecen a continuación hace referencia a la herramienta que funciona con la red de suministro eléctrico (con cable) o a la herramienta eléctrica accionada a baterías (sin cable).

1. ÁREA DE TRABAJO

- a) Mantenga su lugar de trabajo limpio y bien iluminado. Bancos de trabajo desordenados y lugares oscuros invitan a los accidentes.
- b) No utilice herramientas eléctricas en atmósferas explosivas, como por ejemplo en presencia de líquidos, inflamables, gases o polvo. Las herramientas eléctricas crean chispas que pueden encender el polvo o los vapores.
- c) Mantenga a los espectadores, niños y

visitantes a una distancia prudente cuando esté utilizando una herramienta eléctrica. Las distracciones pueden hacerle perder el control.

2. SEGURIDAD ELÉCTRICA

- a) Los enchufes de las herramientas eléctricas deben coincidir con el tomacorriente. No modifique de algún modo el enchufe. No utilice enchufes adaptadores con herramientas eléctricas conectadas a tierra. Si no se modifican los enchufes y se utilizan los tomacorrientes adecuados, se reducirá el riesgo de una descarga eléctrica.
- b) Evite el contacto del cuerpo con las superficies conectadas a tierra tales como tuberías, radiadores, estufas de cocina y refrigeradores. Existe mayor riesgo de que se produzcan descargas eléctricas si su cuerpo está conectado a tierra.
- c) No utilice la máquina en condiciones de lluvia o humedad. La entrada de agua en la máquina pudiera aumentar el riesgo de descarga eléctrica o mal funcionamiento que podrían producir una lesión personal. Si se moja con la lluvia durante el funcionamiento, la máquina y la batería deben secarse antes de guardarlas o cargarla. Retire la batería y vuelva a insertarla si la máquina no enciende. Mantenga la conexión de la batería libre de suciedad y residuos, y límpiela con un cepillo o paño suave y seco.
- d) No abuse del cable. Nunca use el cable para transportar las herramientas ni para sacar el enchufe de un tomacorriente. Mantenga el cable alejado del calor, el aceite, los bordes afilados o las piezas móviles. Los cables dañados aumentan el riesgo de que se produzcan descargas eléctricas.
- e) Cuando opere una herramienta eléctrica en exteriores, use un cable de extensión adecuado para uso en exteriores. El uso de un cable adecuado para uso en exteriores reduce el riesgo de descargas eléctricas.
- f) Si operar una herramienta eléctrica en un lugar húmedo es inevitable, use un elemento protegido del dispositivo de corriente residual (RCD). El uso de un RCD reduce el riesgo de descargas eléctricas.

3. SEGURIDAD PERSONAL

- a) Manténgase alerta, fíjese en lo que está haciendo y use el sentido común cuando utilice una herramienta eléctrica. No use la herramienta cuando esté cansado o se encuentre bajo la influencia de drogas, alcohol o medicamentos. Un momento de distracción al utilizar herramientas eléctricas puede dar lugar a lesiones personales graves.
- b) Utilice equipo de seguridad. Use siempre protección ocular. La utilización del equipo de seguridad como máscara antipolvo, zapatos de seguridad antideslizantes, casco o protección auditiva para condiciones adecuadas reducirá el riesgo de lesiones personales.

- c) Evite el arranque accidental. Asegúrese de que el interruptor esté en la posición de trabado o de apagado antes de instalar el paquete de baterías. Transportar herramientas con el dedo en el interruptor o instalar el paquete de batería cuando el interruptor está encendido invitan a los accidentes.
- d) Retire las llaves o claves de ajuste antes de encender la herramienta. Una llave o clave de ajuste dejada en una parte giratoria de la herramienta puede causar una lesión personal.
- e) No intente alcanzar demasiado lejos. Mantenga un apoyo de los pies y un equilibrio adecuados en todo momento. El apoyo de los pies y el equilibrio adecuados permiten un mejor control de la herramienta en situaciones inesperadas.
- f) Vístase apropiadamente. No se ponga ropa holgada ni joyas. Mantenga su cabello, ropa y guantes alejados de las piezas móviles. La ropa holgada, las joyas o el pelo largo pueden quedar atrapados en las piezas móviles.
- g) Si se proporcionan dispositivos para la extracción y recolección de polvo, asegúrese que estos estén conectados y utilizados correctamente. El uso de estos dispositivos puede reducir peligros relacionados con el polvo.
- h) No permita que la familiaridad obtenida a partir del uso frecuente de otras herramientas le permita volverse complaciente e ignorar los principios de seguridad de la herramienta. Una acción descuidada puede causar lesiones severas en una fracción de segundo.

4. USO Y CUIDADO DE LA HERRAMIENTA

- a) No fuerce la herramienta. Emplee la herramienta correcta para la aplicación que desea. La herramienta correcta hará el trabajo mejor y con más seguridad a la capacidad nominal para la que está diseñada.
- b) No utilice la herramienta si el interruptor no la enciende o apaga. Toda herramienta que no se pueda controlar con el interruptor es peligrosa y debe ser reparada.
- c) Desconecte la batería de la herramienta o ponga el interruptor en la posición de trabado o de apagado antes de hacer cualquier ajuste, cambio de accesorios o guardar la herramienta. Estas medidas de seguridad preventivas reducen el riesgo de encender la herramienta accidentalmente.
- d) Guarde las herramientas que no esté usando fuera del alcance de los niños y otras personas no capacitadas. Las herramientas son peligrosas en las manos de los usuarios no capacitados.
- e) Mantenga las herramientas con cuidado. Compruebe la desalineación o el atasco de las piezas móviles, la ruptura de piezas y cualquier otra situación que pueda afectar el funcionamiento de las herramientas. Si la herramienta está dañada, hágala arreglar antes de usarla. Muchos accidentes son causados por herramientas mantenidas deficientemente.
- f) Conserve las herramientas de corte afiladas y limpias. Las herramientas mantenidas adecuadamente, con bordes de corte afilados,

tienen menos probabilidades de atascarse y son más fáciles de controlar.

- g) Utilice la herramienta eléctrica, accesorios, brocas de la herramienta, etc. de acuerdo con estas instrucciones y de la manera adecuada para el tipo de herramienta eléctrica, teniendo en cuenta las condiciones de trabajo y el trabajo que se realizará. La utilización de la herramienta eléctrica para operaciones diferentes de aquellas para las que se encuentra diseñada podría dar lugar a una situación peligrosa.
- h) Mantenga las manijas y las superficies de sujeción secas, limpias y libres de aceite y grasa. Las manijas y superficies de sujeción resbaladizas no permiten el manejo y control seguros de la herramienta en situaciones inesperadas.

5. UTILIZACIÓN Y CUIDADO DE LA HERRAMIENTA ACCIONADA A BATERÍAS

- a) Una herramienta accionada a baterías que tenga baterías integradas o un paquete de baterías separado se debe recargar solamente con el cargador especificado para la batería. Un cargador que puede ser adecuado para un tipo de batería puede crear un peligro de incendio cuando se usa con otra batería.
- b) Utilice la herramienta accionada a baterías solamente con el paquete de baterías designado específicamente. El uso de cualquier otra batería puede crear un peligro de incendio.
- c) Cuando el paquete de baterías no se usa, manténgalo alejado de otros objetos metálicos como: sujetapapeles, monedas, clavos, tornillos u otros pequeños objetos de metal capaces de hacer una conexión entre los terminales. El cortocircuito de los terminales de una batería puede causar chispas, quemaduras o incendio.
- d) Bajo condiciones abusivas, la batería puede expulsar líquido; evite el contacto. Si ocurre un contacto accidental, enjuagar con agua. Si el líquido entra en contacto con los ojos, busque ayuda médica. El líquido expulsado por la batería puede causar irritación o quemaduras.
- e) No use un paquete de batería o una herramienta que esté dañada o modificada. Las baterías dañadas o modificadas pueden presentar un comportamiento imprevisto que resulte en incendios, explosión o riesgo de lesiones.
- f) No exponga un paquete de batería o herramienta a fuego o temperatura excesiva. La exposición a fuego o temperatura mayor a 265°F (130 °C) pueden causar una explosión.
- g) Siga todas las instrucciones de carga y no cargue el paquete de batería o la herramienta fuera del rango de temperatura especificado en las instrucciones. Cargar inadecuadamente o en temperaturas fuera del rango especificado pueden dañar la batería e incrementar el riesgo de incendio.

6. REPARACIÓN

- a) La herramienta debe ser reparada por una

persona calificada de servicio técnico y se deben utilizar partes de reemplazo idénticas. Esto asegurará el mantenimiento de la seguridad de la herramienta eléctrica.

- b) **Nunca dé servicio a paquetes de batería dañados.** El servicio de paquetes de batería sólo debe ser realizado por el fabricante o proveedores de servicio autorizados.

INSTRUCCIONES DE SEGURIDAD

- a) **Mantenga todas las partes de su cuerpo alejados de la cuchilla de corte.** No remueva material cortado o sostener material a cortar cuando la cuchilla esté en movimiento. Después de apagar la herramienta la cuchilla continúa girando libremente. Un momento de falta de atención mientras está operando con la tijera cortasetos puede provocar serias lesiones personales.
- b) **Cargar la tijera cortasetos desde la manija teniendo la cuchilla de corte parada y tenga cuidado de no operar ningún interruptor de alimentación.** El manejo apropiado de la tijera cortasetos reducirá posibles lesiones personales de la cuchilla de corte.
- c) **Cuando transporte o guarde el cortasetos, coloque siempre la cubierta de la cuchilla.** La manipulación adecuada del cortasetos reducirá el riesgo de lesiones personales por las cuchillas.
- d) **Cuando limpie el material atascado o realice el mantenimiento de la unidad, asegúrese de que todos los interruptores de alimentación estén apagados y que la batería esté retirada o desconectada.** Use guantes de cuero o a prueba de cortes. El accionamiento inesperado del cortasetos mientras se limpia el material atascado o se realiza el mantenimiento puede provocar lesiones personales graves.
- e) **Sujete la herramienta eléctrica solamente por los mangos aislados, porque la cuchilla de corte puede tener contacto con alambres escondidos o con el propio cable.** Si la cuchilla de corte tiene contacto con un cable bajo tensión puede dejar expuesto partes metales de la herramienta eléctrica con tensión y puede causar un shock eléctrico al operador.
- f) **Mantenga todos los cables de alimentación y otros cables alejados del área de corte.** Los cables de alimentación u otros cables pueden estar ocultos entre los setos o arbustos y pueden cortarse accidentalmente por la cuchilla.
- g) **No utilice el cortasetos en condiciones de mal tiempo, especialmente cuando hay riesgo de rayos.** Esto disminuye el riesgo de ser alcanzado por un rayo.
- h) **Revisar la tijera para objetos desconocidos, por ejemplo alambradas.**
- i) **Sujete correctamente el cortasetos, por ejemplo, con ambas manos si se dispone de dos asas.**

- j) **El cortasetos está destinado a ser utilizado por el operador a nivel del suelo y no en escaleras ni ningún otro soporte inestable.**
- k) **Antes de utilizar el cortasetos, el usuario debe asegurarse de que el dispositivo o dispositivos de bloqueo de cualquier elemento móvil (por ejemplo, el eje extendido y el elemento pivotante), si los hay, estén en la posición de bloqueo.**
- l) **Dé mantenimiento a intervalos regulares a cualquier mecanismo de bloqueo ajustable.**

ADVERTENCIAS DE SEGURIDAD DE CORTASETOS DE ALCANCE EXTENDIDO

- a) **Para reducir el riesgo de electrocución, nunca lo use cerca de cables eléctricos.** El contacto o uso cerca de líneas eléctricas puede causar lesiones graves o descargas eléctricas que pueden provocar la muerte.
- b) **Use siempre las dos manos cuando opere el cortasetos de alcance extendido.** Sostenga el cortasetos de alcance extendido con ambas manos para evitar la pérdida de control.
- c) **Use siempre protección para la cabeza cuando opere el cortasetos de alcance extendido.** La caída de escombros puede provocar lesiones personales graves.

ES

ADVERTENCIAS DE SEGURIDAD GENERAL PARA EL PAQUETE DE BATERÍA

- a) **No desensamble, abra o triture el paquete de batería.**
- b) **No exponga el paquete de batería a calor o fuego.** Evite guardar a la luz directa del sol.
- c) **No ponga en corto circuito el paquete de batería.** No guarde el paquete de batería de forma aleatoria en una caja o cajón donde puedan ponerse en corto circuito entre sí o ponerse en corto circuito por otros objetos metálicos. Cuando el paquete de batería no esté en uso, manténgalo alejado de otros objetos metálicos, como sujetadores de papel, monedas, llaves, clavos, tornillos u otros objetos metálicos pequeños que puedan establecer una conexión de una terminal a otra. El corto circuito de las terminales de la batería puede causar quemaduras o incendios.
- d) **No someta el paquete de batería a impacto mecánico.**
- e) **En el caso de fuga de la batería, no permita que el líquido entre en contacto con la piel o los ojos.** Si hay contacto, lave el área afectada con bastante agua y busque atención médica.
- f) **No use ningún paquete de batería que no esté diseñado para uso con el equipo.**

- g) Mantenga el paquete de batería fuera del alcance de los niños.
- h) Siempre adquiera el paquete de batería recomendado por el fabricante del dispositivo para el equipo.
- i) Mantenga el paquete de batería limpio y seco.
- j) Limpie las terminales del paquete de batería con una tela seca limpia su se ensucian.
- k) El paquete de batería se necesita cargar antes del uso. Siempre use el cargador correcto y consulte las instrucciones del fabricante o el manual del equipo para saber las instrucciones correctas de carga.
- l) No deje el paquete de batería en carga prolongada cuando no esté en uso.
- m) Después de periodos prolongados de almacenamiento, puede ser necesario cargar y descargar el paquete de batería varias veces para obtener el desempeño máximo.
- n) Recargue únicamente con el cargador especificado por Kress. No use cargadores que no sean los específicamente suministrados para uso con el equipo.
- o) Conserve la literatura el producto original para referencia futura.
- p) Sólo use el paquete de batería en la aplicación para la que está diseñado.
- q) Retire el paquete de batería del equipo cuando no esté en uso.
- r) Deséchelo adecuadamente.
- s) No mezcle celdas de diferente fabricación, capacidad, tamaño o tipo dentro del dispositivo.
- t) Mantenga la batería lejos de microondas y no la someta a altas presiones.

Conserve estas instrucciones

REQUISITOS DEL MANUAL DE USUARIO DEL PRODUCTO INALÁMBRICO

- a) Este dispositivo cumple con la Parte 15 de las Regulaciones de la FCC. Su utilización está sujeta a las dos condiciones siguientes:
 - (1) Este dispositivo no puede provocar interferencia dañina, y
 - (2) Este dispositivo debe admitir cualquier interferencia recibida, incluso interferencia que pueda provocar un funcionamiento no deseado.
- b) Precaución: Los cambios o modificaciones a esta unidad no autorizados expresamente por la parte responsable de la conformidad podrían anular la autoridad del usuario a utilizar este equipo.
- c) Este dispositivo contiene transmisores/ receptores exentos de licencia que cumplen las RSS de exención de licencia del Ministerio de Industrias de Canadá. Su utilización está sujeta a las dos condiciones siguientes:
 - (1) Este dispositivo no puede provocar






interferencia.

(2) Este dispositivo debe admitir cualquier interferencia, incluso interferencia que pueda provocar un funcionamiento no deseado del dispositivo.

- d) **NOTA:** Este equipo ha sido probado y se comprobó que cumple con los límites para un dispositivo digital Clase B, de conformidad con la Parte 15 de las Regulaciones de la FCC. Estos límites están diseñados para proporcionar una protección razonable contra las interferencias perjudiciales en una instalación residencial. Este equipo genera, usa y puede radiar energía de radiofrecuencias y, si no se instala y usa de acuerdo con las instrucciones, puede provocar interferencia dañina a las radiocomunicaciones. No obstante, no hay garantía de que no causará interferencia en una instalación específica. Si este equipo provoca interferencia dañina a la recepción de radio o televisión, lo cual se puede determinar encendiendo y apagando el equipo, se alienta al usuario para que intente corregir la interferencia mediante una o más de las siguientes medidas:
 - Reorientar o reubicar la antena receptora.
 - Aumentar la separación entre el equipo y el receptor.
 - Conectar el equipo a una toma de corriente de un circuito diferente al que está conectado el receptor.
 - Consultar al distribuidor o a un técnico de radio/televisión con experiencia para que le ayude.

SÍMBOLOS

	Para reducir el riesgo de lesiones, el usuario deberá leer el manual de instrucciones
	ADVERTENCIA
	Use lentes de seguridad
	Use protección auditiva
	Use máscara contra el polvo
	Mantenga las manos alejadas de la hoja

	Mantenga una distancia suficiente de las líneas eléctricas
	Use protección para la cabeza
	Use siempre unos guantes de protección
 Li-Ion	Batería de iones de litio. La batería deberá reciclarse.
	No arrojar al fuego
	Las baterías pueden entrar al ciclo de agua si se desechan incorrectamente, lo que puede ser peligroso para el ecosistema. No deseché las baterías de desperdicio como desperdicio municipal sin clasificar
	Extraiga el enchufe de la toma eléctrica antes de llevar a cabo cualquier reparación o ajuste.



call2recycle

POSITEC Inc. ha establecido una asociación con la empresa RBRC para el reciclaje de todas las baterías Positec que posean el sello RBRC-call2recycle. Para contribuir con la protección del medio ambiente, no deseché las baterías como residuos normales. Después de que haya finalizado el ciclo de vida útil de la batería, comuníquese al 1-800-822-8837 para acceder al servicio gratuito.

ENSAMBLAJE Y OPERACIÓN

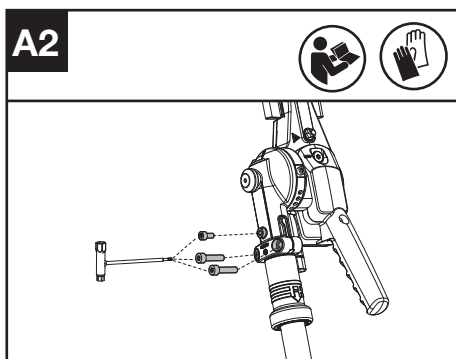
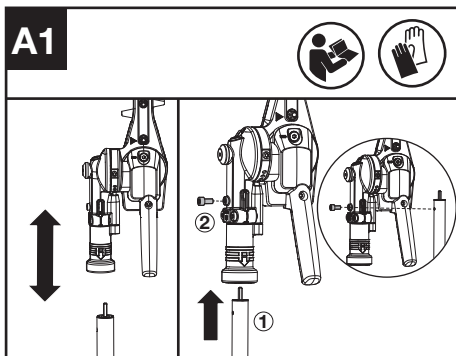


NOTA: Antes de usar la herramienta, lea atentamente el manual de instrucciones.



ANTES DEL FUNCIONAMIENTO:

Assembling the Cutting Attachment (vea las Fig. A1, A2)



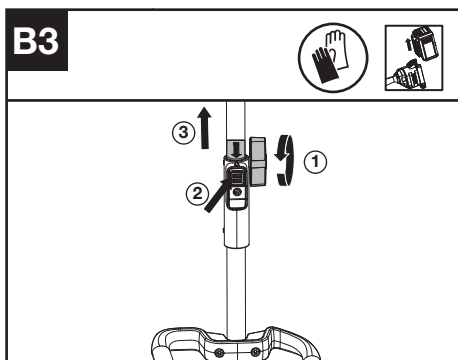
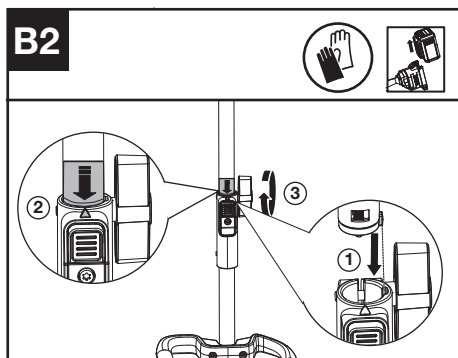
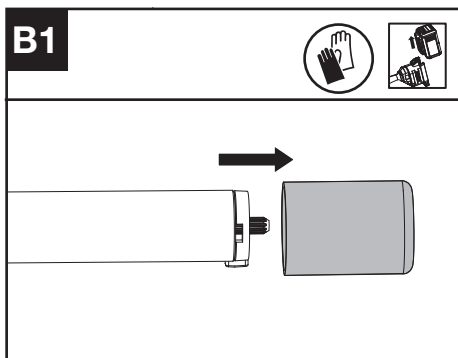
En español latinoamericano: Adjunta el accesorio de corte al poste, asegurándote de que el accesorio de corte cubra completamente la parte blanca de la etiqueta. Aprieta los tornillos.

NOTA: Por favor, mantenga la cuchilla verticalmente hacia arriba.

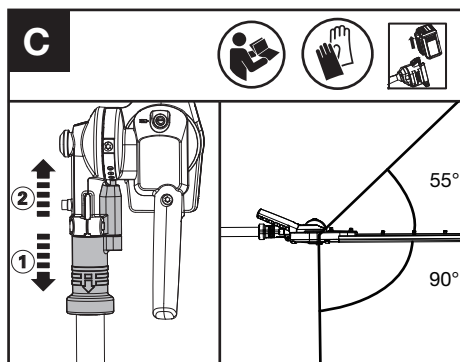
Montaje y desmontaje del accesorio del Cabezal motorizado (vea las Fig. B1, B2, B3)

1. Retire la tapa protectora del extremo del eje del accesorio.
2. Para ensamblar, alinee el ícono triangular en el botón con la etiqueta de flecha en el eje del accesorio.
3. Empuje los ejes hasta que escuche un "clic". El borde de la etiqueta de la flecha debe estar cerca de la carcasa de conexión del eje. (Nota: Si el accesorio de la podadora de setos no puede instalarse completamente en el cabezal motor, gire un poco el accesorio de la podadora de setos hasta que sea posible insertar el eje completamente.)
4. Termine el montaje apretando la perilla en el sentido de las agujas del reloj.
5. Para desmontar, afloje la perilla, gírela en el sentido contrario a las agujas del reloj, luego presione el botón de liberación y separe los ejes. Vuelva a colocar la tapa protectora en el eje del

accesorio para garantizar que no entre polvo ni residuos en el eje.



Ajustar el ángulo de la cuchilla (vea las Fig. C)

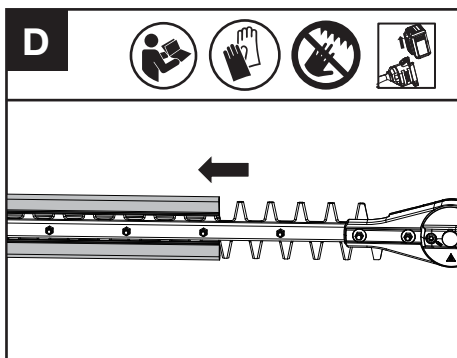


! ¡ADVERTENCIA! Por favor, retire el paquete de baterías antes de ajustar el ángulo de la cuchilla.

! ¡ADVERTENCIA! Por favor, mantenga adecuadamente colocada la funda de la cuchilla mientras ajusta el ángulo de la cuchilla.

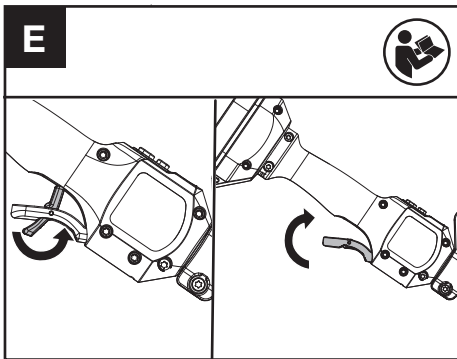
1. Baje el collar de ajuste, seleccione el ángulo deseado para la cuchilla y suelte el collar de ajuste. Asegúrese de que los orificios estén alineados e insertados.
2. El ángulo de las cuchillas de corte se puede ajustar hasta 55 grados hacia arriba y 90 grados hacia abajo.

Antes de usar, retire primero la funda de la cuchilla (vea las Fig. D)



FUNCIONAMIENTO:

Starting the hedge trimmer (See Fig. E)



1. Empuje primero la palanca de bloqueo de seguridad hacia adelante, luego apriete y mantenga presionado el gatillo del acelerador para arrancar la máquina.

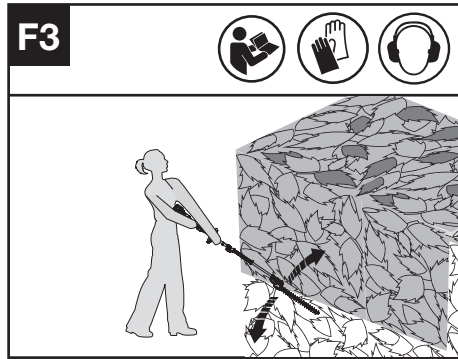
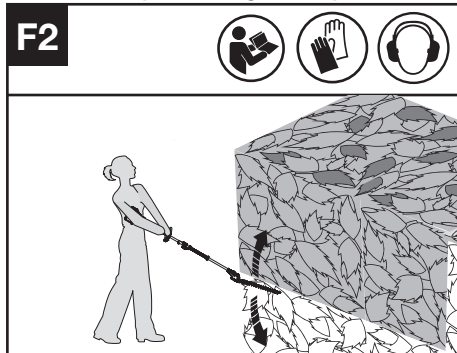
NOTA: Encontrará más detalles en el manual del cabezal motorizado.

Cortar paralelo al suelo (vea las Fig. F1)



1. Mantenga las cuchillas paralelas al suelo.
2. Camine lentamente y de manera constante hacia adelante.

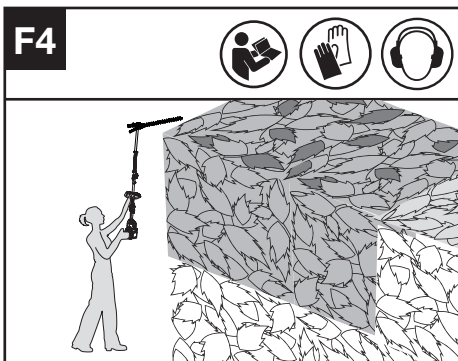
Corte lateral (vea las Fig. F2, F3)



Si es necesario cortar a una distancia específica del seto (o parterre): ajuste el accesorio de corte al ángulo apropiado.

Al recortar los lados del seto, comience desde abajo y corte hacia arriba, adelgazando el seto hacia adentro en la parte superior. De esta manera, la forma expondrá más del seto, dando como resultado un crecimiento más uniforme.

Corte en altura (vea las Fig. F4)



Sostenga la recortadora de setos verticalmente y muévala en un arco para obtener la máxima distancia de trabajo.

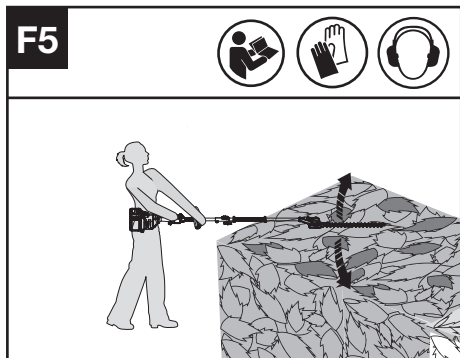
ADVERTENCIA: Trabajar a alturas superiores al nivel de los hombros puede ser agotador. Para reducir el riesgo de lesiones debido a la fatiga, evite colocar la mano trasera en un mango de control más alto que la altura del hombro. Ajuste el ángulo de la cuchilla al ángulo más cómodo, manteniendo la máquina en una posición más baja y menos fatigante asegurando un alcance suficiente. Tome descansos periódicos.

Corte superior (vea las Fig. F5)

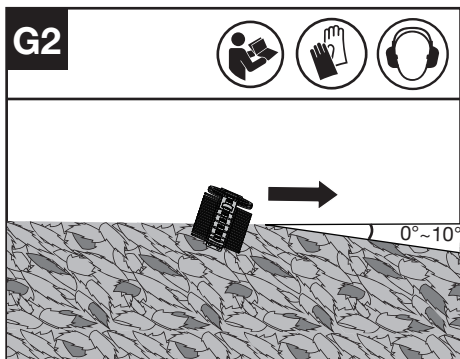
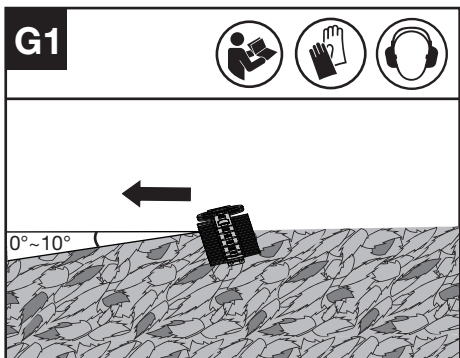
Use un amplio movimiento de barrido. Una ligera inclinación hacia abajo de las cuchillas de corte

en la dirección del movimiento proporciona los mejores resultados de corte.

⚠️ ADVERTENCIA: Si falta alguna pieza, está dañada o rota, no utilice su recortadora de setos hasta que todas las piezas dañadas hayan sido reemplazadas o reparadas. No hacerlo podría provocar una lesión personal grave.



Ajuste del ángulo de corte (vea las Fig. G1 G2)



Mueva la máquina horizontalmente, corte utilizando un lado de la cuchilla y mantenga la cuchilla en un ángulo de 0 a 10 grados.

Cómo usar su cortasetos

Antes de cortar una superficie, primero examínela y retire cualquier objeto extraño que pudiera ser lanzado por o quedar atascado en la cuchilla.

Antes de ponerlo en funcionamiento, sostenga siempre el cortasetos con ambas manos y con la cuchilla alejada de Ud.

Cuando corte césped nuevo, hágalo mediante un movimiento de barrido amplio, de modo que los tallos entren directamente en la cuchilla.

Deje que las cuchillas alcancen la velocidad máxima antes de cortar. Cuando maneje la máquina mantenga las cuchillas alejadas de las personas y de objetos tales como paredes, piedras grandes, árboles, vehículos, etc.

Si la cuchilla se atasca, apague inmediatamente la herramienta. Suelte las dos palancas de interruptor antes de retirar material atascado de la cuchilla.

Use guantes cuando corte material espinoso. No intente cortar tallos demasiado gruesos para la cuchilla.

TRANSPORTE

Transportar la cortadora

1. Apague la cortadora y retire la batería.
2. Cuando transporte su cortadora a mano, sostenga el medio del vástago con el cabezal de corte hacia atrás y asegúrese de que su máquina esté paralela al suelo.
3. Cuando transporte su cortadora en un vehículo, colóquela y asegúrela para impedir que se mueva o se dañe.

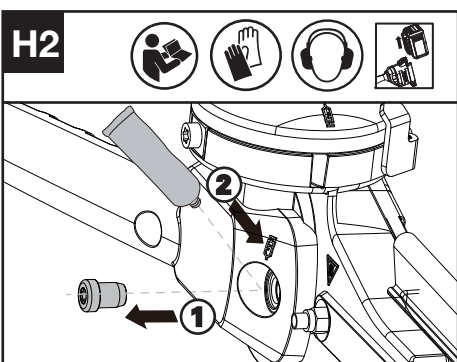
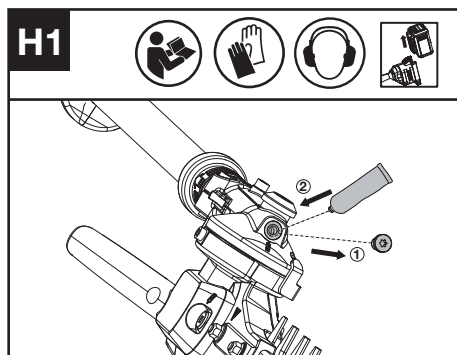
MANTENIMIENTO

⚠️ ¡ADVERTENCIA! Siempre retire la batería antes de realizar cualquier mantenimiento en la cortadora. Por favor, espere a que la máquina se enfríe antes de realizar el mantenimiento.

Retire la batería de la recortadora de setos antes de realizar cualquier ajuste, servicio o mantenimiento.

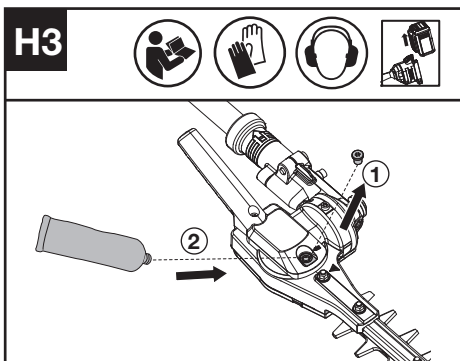
No hay piezas que el usuario pueda reparar en su equipo de energía para exteriores. Almacene siempre su equipo de energía para exteriores en un lugar seco. Mantenga limpias las ranuras de ventilación del motor. Mantenga todos los controles operativos libres de polvo.

La lubricación del accesorio de corte (vea las Fig. H1, H2)



1. Retire el tapón del tornillo del alojamiento del engranaje e inyecte un poco de grasa en el alojamiento.
2. Apriete el tornillo.

Lubricación del accesorio de corte (vea las Fig. H3)



1. Retire el tapón del tornillo del alojamiento del engranaje e inyecte un poco de grasa en el alojamiento.
2. Apriete el tornillo.

Afilado



ADVERTENCIA: No utilice su máquina con cuchillas de corte melladas o dañadas, eso provocará sobrecarga y rendimiento no satisfactorio. Cuando el rendimiento de corte comience a deteriorarse, lleve la cuchilla a un profesional para que la afile de nuevo. Use siempre guantes de protección cuando manipule la cuchilla de la cortadora y afile solamente el borde cortante. Afíle solamente el borde cortante. Debe afilarse por un profesional. No desbaste las partes romas salientes de la cuchilla de corte ni su guarda. Use una piedra de afilar para remover la rebaba del borde cortante. Después de afilar, limpie el polvo de la cuchilla de manera segura.

Limpieza de la cuchilla

Rocíe ambos lados de la cuchilla de corte con disolvente de resina. Inserte la batería y encienda la recortadora de setos durante unos segundos; esto garantizará una distribución uniforme del disolvente de resina en toda la cuchilla de corte.

NOTA: Por favor, evite usar una máquina de limpieza a alta presión para limpiar las cuchillas y no utilice líquidos que no sean disolvente de resina.

LIMPIEZA

1. Apague la bordeadora y retire la batería.
2. No use detergentes ni solventes fuertes. Limpie la máquina después de usarla con un paño húmedo embebido en detergente neutro.
3. Mantenga la conexión de la batería libre de suciedad y residuos, y límpiela con un cepillo o paño blando y seco.
3. No rocíe agua sobre el motor ni los componentes eléctricos.
4. No use una limpiadora a presión para limpiar su máquina.

ALMACENAMIENTO

1. Retire el paquete de baterías de la bordeadora antes de guardarla.
2. Guarde la cortadora en un lugar seco, seguro e inaccesible para los niños y otras personas no autorizadas.
Retire el accesorio de corte si no lo va a usar durante mucho tiempo.
3. Si se moja con la lluvia durante el funcionamiento, la máquina y la batería deben secarse antes de guardarse o cargarse. Retire la batería y vuelva a insertarla si la máquina no se enciende.

PARA HERRAMIENTAS DE BATERÍA

El rango de temperatura ambiente para uso y

almacenamiento de la herramienta y la batería es de -4°F~113°F (-20°C~45°C).
 El rango de temperatura ambiente recomendado para el sistema de carga durante la carga es de 23°F~113°F (-5°C~45°C).

SOLUCIÓN DE PROBLEMAS

La siguiente tabla incluye comprobaciones y acciones que puede realizar si la herramienta no funciona de forma correcta.



ADVERTENCIA: Apague la herramienta y extraiga la batería antes de efectuar la resolución de problemas.

CORTADORA

PROBLEMAS	POSIBLES CAUSAS	ACCIÓN CORRECTIVA
El LED indicador del nivel de batería parpadea.	Baja tensión de la batería.	Cargar la batería.
El LED rojo de error parpadea.	Sobrecarga.	El accesorio de corte está atascado. Desactive el producto. Retire la batería. Limpie el accesorio de corte de materiales no deseados.
	Problema de temperatura.	Deje que el producto se refresque.
	Otros problemas.	Comuníquese con el Agente de Servicios.
El producto no arranca.	Hay residuos en los conectores de la batería.	Limpie los conectores de la batería con aire comprimido o con un cepillo blando.
	Otros problemas.	Comuníquese con el Agente de Servicios.
La cortadora funciona intermitentemente.	La batería no está insertada completamente en la máquina.	Inserte completamente la batería.
	Posible problema eléctrico.	Comuníquese con el Agente de Servicios.
Vibraciones/ruido excesivos.	Problema del accesorio de corte. Máquina defectuosa.	Sustituya el accesorio de corte. Comuníquese con el Agente de Servicios.

DATOS TÉCNICOS

Denominación de tipo: **KAC200 (- de maquinaria, representativa de Cortasetos sin cable)**

	KAC200
Longitud de la hoja	22" (55cm)
Espaciado de dientes	1.34" (34 mm)
Grado de protección	IPX4
Peso de la máquina (Herramienta descubierta)	6.0 lbs (2.7 kg)

Positec USA, Inc. Charlotte, NC 28216 USA

TABLE DES MATIÈRES

Introduction.....	25
Liste des composants.....	26
Sécurité du produit.....	27
Assemblage & Opération.....	31
Transport.....	34
Entretien.....	34
Nettoyage.....	35
Stockage.....	35
Tableau de dépannage.....	35
Données techniques.....	36

INTRODUCTION

Cher client,

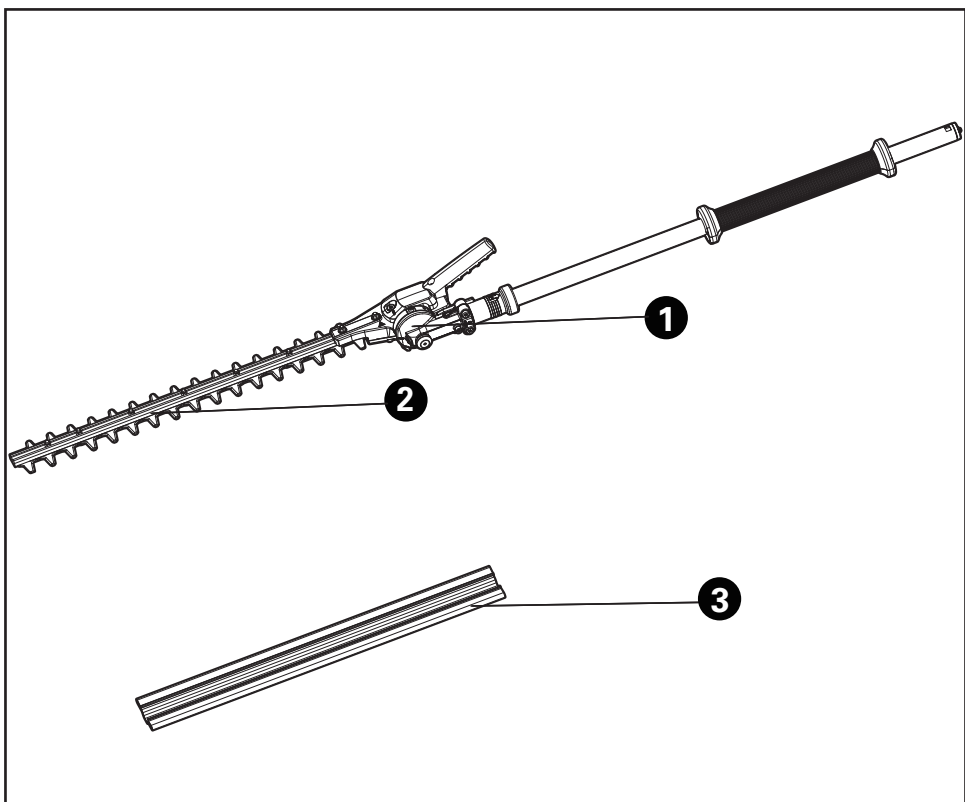
Merci d'avoir acheté ce produit Kress Commercial. Nous nous engageons à développer des produits de haute qualité pour répondre à vos besoins en matière d'aménagement paysager commercial.

Kress est synonyme de service de qualité supérieure. Au cours des années de vie de votre produit, si vous avez des questions ou des préoccupations concernant votre produit, veuillez contacter votre distributeur ou notre équipe du service à la clientèle pour obtenir de l'aide.

Nous espérons que vous aimerez travailler avec votre produit Kress.

UTILISATION PRÉVUE

En conjonction avec KAC104 - Tête motorisée, cette machine est conçue pour la coupe et la taille des haies et des buissons dans le cadre d'une utilisation commerciale légère ou lourde.



LISTE DES COMPOSANTS

1. BOÎTE D'ENGRENAGE D'ARTICULATION (POUR LE RÉGLAGE DE L'ANGLE)
2. LAME
3. GAINE DE LAME

SÉCURITÉ DU PRODUIT



AVERTISSEMENT! Certaines des poussières produites en utilisant des outils électriques sont considérées par l'État de Californie comme susceptibles de provoquer le cancer, des congénitales et d'autres problèmes de reproduction. Voici des exemples de ces produits chimiques:

- plomb issu de peinture à base de plomb
- silice cristalline issue de briques et du ciment et autres produits de maçonnerie
- arsenic et chrome issus de bois traité chimiquement

Votre risque de ces expositions varie en fonction de la fréquence à laquelle vous effectuez ce travail. Pour réduire votre exposition à ces produits chimiques : travaillez dans une zone bien ventilée; portez un équipement de sécurité approuvé, tel que des masques antipoussières spécialement conçus pour éliminer les particules microscopiques par filtrage.



AVERTISSEMENT : Ce dispositif peut vous exposer aux produits chimiques notamment le plomb et le di-phthalate (de 2-éthylhexyle) (DEHP) qui sont reconnus dans l'État de Californie comme causant des cancers et des anomalies congénitales ou d'autres anomalies de la reproduction. Pour en savoir plus, veuillez consulter le site www.P65Warnings.ca.gov.

MISES EN GARDE GÉNÉRALES DE SÉCURITÉ POUR EQUIPEMENT ELECTRIQUE D'EXTERIEUR



AVERTISSEMENT! Lisez et assimilez toutes les instructions. Le non-respect des instructions ci-après peut entraîner un risque de choc électrique, d'incendie et/ou de blessures graves.

Conservez tous les avertissements et instructions pour pouvoir les consulter ultérieurement.

L'expression « outil électrique » dans tous les avertissements énumérés ci-dessous se réfère à votre outil électrique fonctionnant sur secteur (branché) ou à batterie (sans-fil).

1. AIRE DE TRAVAIL

- Veillez à ce que l'aire de travail soit propre et bien éclairée.** Le désordre et le manque de lumière favorisent les accidents.
- N'utilisez pas d'outils électriques dans un milieu présentant un risque d'explosion, par exemple en présence de liquides, de gaz ou de poussières inflammables.** Les outils

électriques créent des étincelles qui pourraient enflammer les poussières ou les vapeurs.

- Gardez à distance les curieux, les enfants et les visiteurs lorsque vous travaillez avec un outil électrique.** Ils pourraient vous distraire et vous faire faire une fausse manoeuvre.

2. SÉCURITÉ ÉLECTRIQUE

- Les fiches des outils électriques doivent correspondre aux prises murales. Ne jamais modifier la fiche de quelque façon que ce soit. Ne pas utiliser de fiches d'adaptation avec des outils électriques mis à la terre (mis à la masse).** Des fiches non modifiées et des prises qui leur correspondent réduiront le risque de choc électrique.
- Évitez tout contact corporel avec des surfaces mises à la terre (tuyauterie, radiateurs, cuisinières, réfrigérateurs, etc.).** Le risque de choc électrique est plus grand si votre corps est en contact avec la terre.
- Ne pas utiliser la machine sous la pluie ou dans des conditions humides.** La pénétration d'eau dans l'appareil peut augmenter le risque d'électrocution ou de dysfonctionnement pouvant entraîner des blessures. Si l'appareil a été mouillé par la pluie pendant son fonctionnement, la machine et la batterie doivent être séchées avant d'être rangées ou rechargées. Retirez la batterie et réinsérez-la si la machine ne s'allume pas. Veillez à ce que les raccords de la batterie soient exempts de saleté et de débris, et nettoyez-les avec une brosse ou un chiffon doux et sec.
- Ne maltraitez pas le cordon. Ne transportez jamais l'outil par son cordon et ne débranchez jamais la fiche en tirant sur le cordon.** N'exposez pas le cordon à la chaleur, à des huiles, à des arrêtes vives ou à des pièces en mouvement. Un cordon endommagé augmente le risque de choc électrique.
- Lorsque vous utilisez un outil électrique à l'extérieur, utilisez un prolongateur adapté à une utilisation en extérieur.** L'utilisation d'un cordon adapté à une utilisation extérieure réduit le risque de choc électrique.
- Si vous devez utiliser un outil électrique dans un endroit humide, utilisez un dispositif de courant résiduel (RCD) d'alimentation protégée.** L'utilisation d'un RCD réduit le risque de choc électrique.

3. SÉCURITÉ DES PERSONNES

- Restez alerte, concentrez-vous sur votre travail et faites preuve de bon sens. N'utilisez pas un outil électrique si vous êtes fatigué ou sous l'influence de drogues, d'alcool ou de médicaments.** Un instant d'inattention lors de l'utilisation d'outils électriques peut entraîner des blessures graves.
- Utilisez des accessoires de sécurité. Portez toujours une protection oculaire.** De l'équipement de sécurité tel que le masque antipoussière, les chaussures de sécurité antidérapantes, des casques durs ou des

protections antibruit utilisés dans des conditions appropriées réduiront les blessures corporelles.

- c) **Évitez les démarrages accidentels. Avant d'insérer la batterie dans l'outil, assurez-vous que son interrupteur est en position « OFF » (Arrêt) ou verrouillée.** Le fait de transporter un outil avec le doigt sur la détente/l'interrupteur ou d'insérer la batterie dans un outil dont la détente est en position « ON » (Marche) peut causer un accident.
- d) **Retirer les clés de réglage avant de mettre l'outil sous tension.** Une clé restée attachée à une partie mobile de l'outil pourrait entraîner des blessures corporelles.
- e) **Ne vous penchez pas trop en avant. Maintenez un bon appui et restez en équilibre en tout temps.** Une bonne stabilité vous permet de mieux réagir à une situation inattendue.
- f) **Habillez-vous convenablement. Ne portez ni vêtements flottants ni bijoux. Gardez les cheveux, les vêtements et les gants éloignés des pièces en mouvement.** Les vêtements flottants, les bijoux ou les cheveux longs risquent d'être happés par des pièces en mouvement.
- g) **Si un sac de récupération de la poussière est fourni avec un connecteur pour aspirateur, assurez vous qu'il est correctement relié et utilisé de façon appropriée.** L'utilisation de ce système réduit les dangers physiques et physiologiques liés à la poussière.
- h) **Ne laissez pas les habitudes acquises par une utilisation fréquente d'outils relâcher votre vigilance et ignorer les principes de sécurité des outils.** Une utilisation négligente peut causer des blessures graves en une fraction de seconde.

4. UTILISATION ET ENTRETIEN DE L'OUTIL

- a) **Ne forcez pas l'outil. Utilisez l'outil approprié à la tâche. L'outil approprié fonctionne mieux et de façon plus sécuritaire.** Respectez aussi la vitesse de travail qui lui est propre.
- b) **N'utilisez pas un outil si l'interrupteur ne le met pas en marche ou ne peut l'arrêter.** Un outil qui ne peut être contrôlé par l'interrupteur est dangereux et doit être réparé.
- c) **Débranchez la batterie de l'outil ou mettez son interrupteur en position « OFF » (Arrêt) ou « LOCKED » (Verrouillé) avant d'effectuer un réglage, de changer d'accessoire ou de ranger l'outil.** De telles mesures de sécurité préventive réduisent le risque de démarrage accidentel de l'outil.
- d) **Rangez les outils hors de portée des enfants et d'autres personnes inexpérimentées.** Les outils sont dangereux dans les mains d'utilisateurs novices.
- e) **Prenez soin de bien entretenir les outils. Soyez attentif à tout désalignement ou coincement des pièces en mouvement, à tout bris ou à toute autre condition préjudiciable au bon fonctionnement de l'outil. Si vous constatez qu'un outil est endommagé, faites-le réparer avant de vous en servir.** De nombreux accidents sont causés par des outils en mauvais état.

- f) **Les outils de coupe doivent être toujours bien affûtés et propres.** Des outils bien entretenus, dont les arêtes sont bien tranchantes, sont moins susceptibles de se coincer et plus faciles à contrôler.
- g) **Utilisez l'outil électrique, les accessoires et les forets etc., en conformité avec ces instructions et de la manière conçue pour le type particulier d'outil électrique, prend en compte les conditions de travail et le travail qui doit être accompli.** L'emploi de l'outil électrique pour des opérations différentes de celles pour lesquelles il a été conçu pourrait entraîner une situation dangereuse.
- h) **Maintenez les poignées et les surfaces de prise sèches, propres et exemptes d'huile et de graisse.** Des poignées et surfaces de prise glissantes ne permettent pas une manipulation et un contrôle sécurisés de l'outil dans des situations inattendues.

5. UTILISATION DE LA BATTERIE ET ENTRETIEN

- a) **Un outil à batterie avec batteries incorporées ou une batterie séparée doit être rechargé uniquement avec le chargeur indiqué pour la batterie.** Un chargeur qui peut être adéquat pour un type de batterie peut créer un risque d'incendie lorsqu'il est utilisé avec une autre batterie.
- b) **Utiliser un outil à batterie uniquement avec la batterie désignée.** L'emploi de toute autre batterie peut créer un risque d'incendie.
- c) **Lorsque la batterie n'est pas utilisée, tenez-la à l'écart d'autres objets métalliques tels que trombones, pièces de monnaie, clés, clous, vis ou autres petits objets métalliques susceptibles d'établir une connexion d'une borne à une autre.** Le court-circuitage des bornes de batterie peut causer des étincelles, des brûlures, une explosion ou un incendie.
- d) **Dans le cadre de conditions d'abus, du fluide peut être éjecté de la batterie, évitez tout contact. Si un contact se produisait accidentellement, rincez abondamment avec de l'eau.** Si le fluide touche les yeux, cherchez en plus de la mesure précédente de l'aide médicale. Le fluide éjecté de la batterie peut causer des irritations ou des brûlures.
- e) **N'utilisez pas une batterie ou un outil endommagé ou modifié.** Les batteries endommagées ou modifiées peuvent avoir un comportement imprévisible entraînant un incendie, une explosion ou un risque de blessure.
- f) **N'exposez pas une batterie ou un outil au feu ou à une température excessive.** Une exposition au feu ou à une température supérieure à 130 °C (265 °F) pourrait provoquer une explosion.
- g) **Respectez toutes les instructions de chargement et ne chargez pas la batterie ou l'outil en dehors de la plage de température spécifiée dans les instructions.** Un chargement incorrect ou à des températures en dehors de la plage spécifiée peut endommager la batterie et

augmenter le risque d'incendie.

6. ENTRETIEN

- a) **Ayez votre outil électrique entretenu par un réparateur agréé n'utilisant que des pièces de rechange identiques.** *Cela assurera que la sécurité de l'outil électrique est maintenue.*
- b) **Ne jamais tenter de réparer des batteries endommagées.** *L'entretien et la réparation des batteries doit uniquement être effectué par le fabricant ou par des centres de services agréés.*

CONSIGNES DE SÉCURITÉ

- a) **Maintenez toutes les parties du corps éloignées de la lame. Ne tentez jamais d'enlever les branches coupées ou ne tenez jamais les branches à couper lorsque la lame est en mouvement.** *La lame s'arrête lentement lorsque l'appareil est mis hors tension. Un moment d'inattention lorsque vous utilisez la taille-haie peut résulter en des blessures corporelles graves.*
- b) **Portez le taille-haie par la poignée et l'appareil hors tension en faisant attention de ne pas actionner le commutateur de mise sous tension.** *Une manipulation sécuritaire du taille-haie préviendra les blessures corporelles possibles causées par la lame.*
- c) **Avant le transport ou le stockage du taille-haie, installez toujours le capot de protection de la lame.** *Pour éviter les risques de blessures causées par les lames, portez le taille-haie de la manière indiquée.*
- d) **Pour retirer les matériaux coincés ou pour l'entretien de l'appareil, assurez-vous que tous les interrupteurs d'alimentation sont désactivés et que la batterie est retirée ou déconnectée.** *Portez des gants en cuir ou anti-coupure. Le démarrage inattendu du taille-haie pendant le retrait du matériau coincé ou l'entretien peut entraîner des blessures graves.*
- e) **Ne tenez l'appareil électrique que par les surfaces isolées de tenue puisque la lame pourrait entrer en contact avec du câblage caché ou son propre cordon d'alimentation.** *La lame entrant en contact avec un fil sous tension peut mettre les parties métalliques de l'appareil sous tension, ce qui pourrait causer un choc électrique à l'opérateur.*
- f) **Éloignez tous les cordons d'alimentation et câbles de la zone de coupe.** *Des cordons d'alimentation ou des câbles peuvent être cachés dans des haies ou des buissons et peuvent être coupés accidentellement par la lame.*
- g) **Ne pas utiliser le taille-haie dans de mauvaises conditions météorologiques, en particulier lorsqu'il y a un risque de foudre.** *Cela diminue le risque d'être frappé par la foudre.*
- h) **Vérifiez la haie pour la présence d'objets étrangers, p. ex. une clôture métallique.**
- i) **Tenez le taille-haie correctement, par exemple avec les deux mains si deux poignées sont fournies.**

- j) **Le taille-haie est destiné à être utilisé au niveau du sol et non sur des échelles ou tout autre support instable.**
- k) **Avant d'utiliser le taille-haie, l'utilisateur doit s'assurer que le ou les dispositifs de verrouillage de tout élément mobile (par exemple l'arbre d'extension et l'élément pivotant), le cas échéant, sont en position verrouillée.**
- l) **Prévoyez d'installer un mécanisme d'arrêt réglable à intervalles réguliers.**

AVERTISSEMENTS DE SÉCURITÉ DU TAILLE-HAIES À PORTÉE ÉTENDUE

- a) **Pour réduire le risque d'électrocution, ne jamais utiliser à proximité des lignes électriques.** *Le contact avec ou l'utilisation à proximité des lignes électriques peut provoquer des blessures graves ou des électrocutions entraînant la mort.*
- b) **Toujours utiliser ses deux mains lors de l'utilisation du taille-haies à portée étendue.** *Tenir le taille-haies à portée étendue avec les deux mains pour éviter la perte de contrôle.*
- c) **Toujours utiliser une protection de tête lors de l'utilisation du taille-haies à portée étendue au-dessus de la tête.** *Les débris qui tombent peuvent entraîner des blessures graves.*







F

CONSIGNES GÉNÉRALES DE SÉCURITÉ CONCERNANT LA BATTERIE

- a) **Ne pas démonter, ouvrir ou déchiqueter le bloc batterie.**
- b) **Ne pas exposer le bloc batterie à la chaleur ou au feu. Évitez de ranger la batterie dans un endroit exposé à la lumière directe du soleil.**
- c) **Ne pas court-circuiter une batterie. Ne stockez pas les blocs batterie en vrac dans une boîte ou un tiroir où ils peuvent se court-circuiter ou être court-circuités par d'autres objets métalliques.** *Lorsque le bloc batterie n'est pas utilisé, conservez-le loin d'autres objets métalliques, tels que des trombones, des pièces de monnaie, des clés, des clous, des vis ou d'autres objets métalliques de petite taille, qui pourraient établir une connexion d'un terminal à l'autre. Le fait de créer un court-circuit entre les bornes de la batterie peut causer des brûlures ou des incendies.*
- d) **Ne pas soumettre la batterie à des chocs mécaniques.**
- e) **En cas de fuite de la batterie, ne pas laisser le liquide entrer en contact avec la peau ou les yeux. Si un contact a été effectué, laver**





la zone touchée avec beaucoup d'eau et consulter un médecin.

- f) Ne pas utiliser de batterie qui n'a pas été conçue pour être utilisée avec cet appareil.
- g) Maintenez la batterie hors de portée des enfants.
- h) Achetez toujours une batterie recommandée par le fabricant de l'appareil.
- i) Conservez le bloc batterie propre et sec.
- j) Essuyez les bornes de la batterie avec un chiffon propre et sec si elles deviennent sales.
- k) La batterie doit être chargée avant son utilisation. Utilisez toujours le chargeur adapté et reportez-vous aux instructions du fabricant ou au manuel de l'équipement pour suivre les instructions concernant la procédure de charge.
- l) Ne laissez pas le bloc batterie en charge prolongée lorsqu'il n'est pas utilisé.
- m) Après de longues périodes de stockage, il peut être nécessaire de charger et de décharger la batterie plusieurs fois pour obtenir des performances optimales.
- n) Rechargez le bloc batterie uniquement avec le chargeur spécifié par Kress. N'utilisez pas un chargeur autre que celui spécifiquement conçu pour être utilisé avec l'équipement.
- o) Conservez la documentation originale du produit pour référence ultérieure.
- p) Utilisez uniquement la batterie dans l'application pour laquelle elle a été prévue.
- q) Retirez la batterie de l'équipement lorsqu'il n'est pas utilisé.
- r) Éliminez la batterie de façon adéquate.
- s) Ne pas mélanger des cellules de fabricants, de capacités, de tailles ou de type différents dans un appareil.
- t) N'exposez pas la batterie à des micro ondes et de la haute pression.

	Portez un masque antipoussières
	Gardez les mains loin de la lame
	Toujours porter des gants de protection
	Portez une protection de la tête
	Conservez une distance suffisante à l'écart de l'alimentation électrique
	Batterie Li-Ion. Les batteries doivent être recyclées en collecte sélective.
	Ne pas jeter au feu
	Les batteries peuvent s'introduire dans le cycle de l'eau si elles sont éliminées de manière inappropriée, ce qui peut être dangereux pour l'écosystème. Ne pas éliminer les batteries usagées avec les déchets municipaux non triés.
	Retirez la prise de la prise murale avant d'effectuer n'importe quel travail de réglage, de réparation ou d'entretien.

CONSERVEZ CES INSTRUCTIONS

SYMBOLES

	Afin de réduire les risques de blessure, l'utilisateur doit lire ce mode d'emploi
	AVERTISSEMENT
	Portez un protecteur oculaire
	Portez une protection auditive



call2recycle

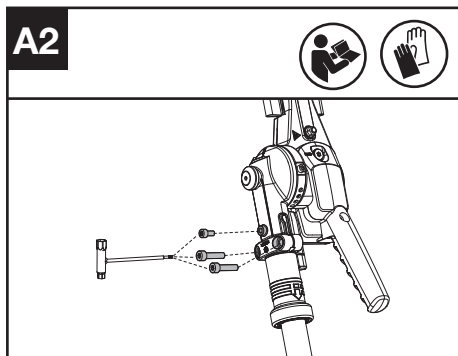
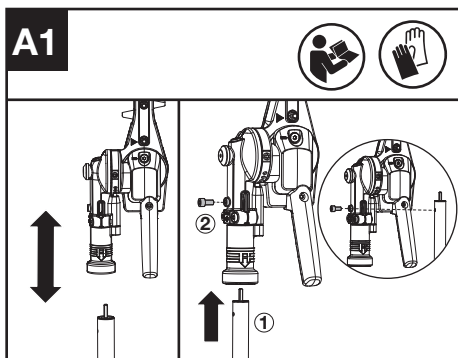
POSITEC Inc. a formé un partenariat avec RBRC Corporation pour le recyclage des batteries Positec portant le sceau RBRC-call2recycle. Pour la protection de l'environnement, veillez à ne pas jeter les batteries aux poubelles. À la fin du cycle de vie de la batterie, appelez 1-800-822-8837 pour un service gratuit qui mettra la batterie au rebut selon les règles de l'art.

ASSEMBLAGE & OPÉRATION

REMARQUE: Avant d'utiliser cet outil, assurez-vous de lire attentivement le manuel d'utilisation.

AVANT L'UTILISATION:

Assemblage de la pièce de coupe (Voir Fig. A1, A2)



Attachez l'accessoire de coupe au poteau, en vous assurant que l'accessoire de coupe recouvre entièrement la partie blanche de l'étiquette. Serrez les vis.

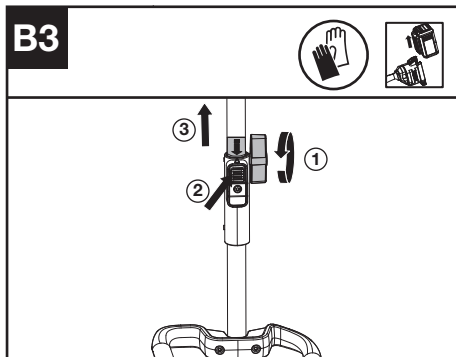
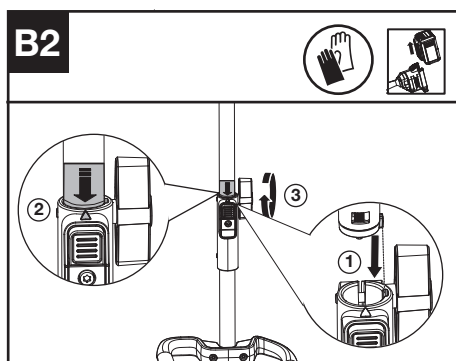
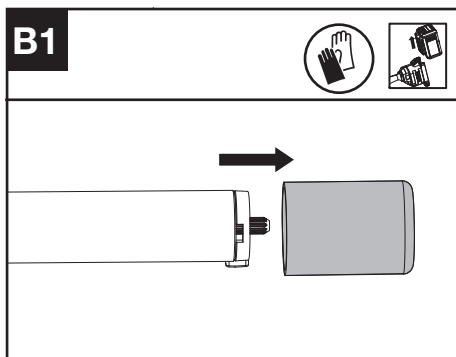
REMARQUE : Veuillez garder la lame verticalement, orientée vers le haut.

Montage et démontage de l'accessoire Tête motorisée (Voir Fig. B1, B2, B3)

1. Retirez le capuchon de protection à l'extrémité de l'arbre de fixation.
2. Pour le montage, alignez la flèche sur le bouton avec la flèche sur l'arbre de fixation.
3. Enfoncez les arbres l'un dans l'autre jusqu'à ce qu'ils s'enclenchent. Le bord de la flèche doit

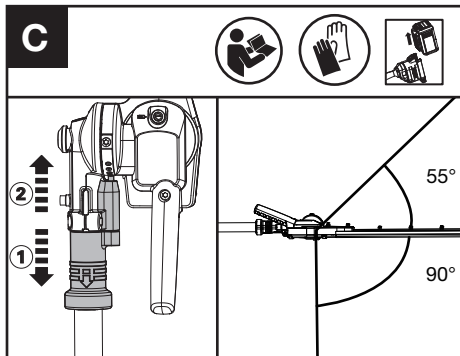
être proche du logement de raccordement de l'arbre. (Remarque : Si l'accessoire du taille-haie ne peut pas être complètement installé dans la Tête motorisée, tournez légèrement l'accessoire du taille-haie jusqu'à ce qu'il soit possible d'insérer complètement l'arbre.)

4. Terminez le montage en vissant le bouton dans le sens horaire.
5. Pour le démontage, dévissez le bouton dans le sens antihoraire, puis appuyez sur le bouton de déverrouillage et séparez les arbres. Remplacez le capuchon de protection sur l'arbre de fixation pour éviter que de la poussière ou des débris ne pénètre à l'intérieur.



F

Régler l'angle de la lame (Voir Fig. C)

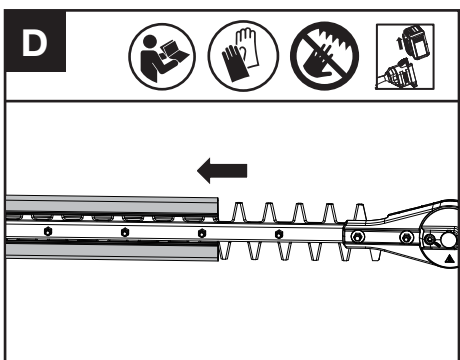


ATTENTION ! Veuillez retirer le bloc-batterie avant d'ajuster l'angle de la lame.

ATTENTION ! Assurez-vous de bien remettre le fourreau de la lame en place pendant l'ajustement de l'angle de la lame.

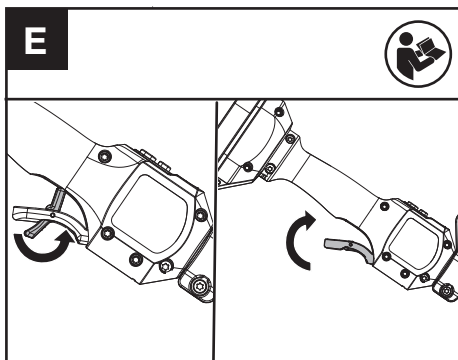
1. Tirez vers le bas le collier de réglage, sélectionnez l'angle de lame désiré et relâchez le collier de réglage. Assurez-vous que les trous sont alignés et insérés.
2. L'angle des lames de coupe peut être ajusté jusqu'à 55 degrés vers le haut et 90 degrés vers le bas.

Avant utilisation, retirez d'abord le fourreau de lame. (Voir Fig. D)



FONCTIONNEMENT:

Starting the hedge trimmer (Voir Fig. E)



1. Poussez le levier de déverrouillage de sécurité, puis appuyez sur la gâchette d'accélération en maintenant enfoncée pour démarrer la machine.

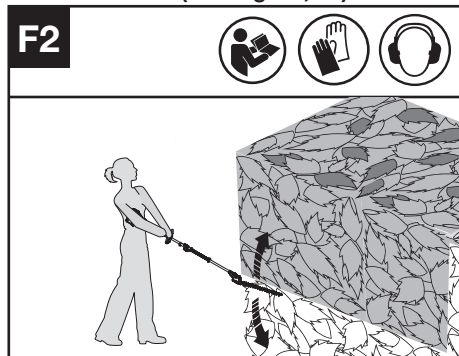
REMARQUE : Vous trouverez plus de détails dans le manuel de la tête motorisée.

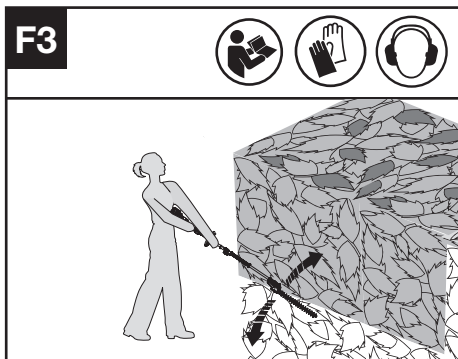
La coupe parallèle au sol (Voir Fig. F1)



1. Gardez les lames parallèles au sol.
2. Marchez lentement et régulièrement vers l'avant.

Taille sur le côté (Voir Fig. F2, F3)

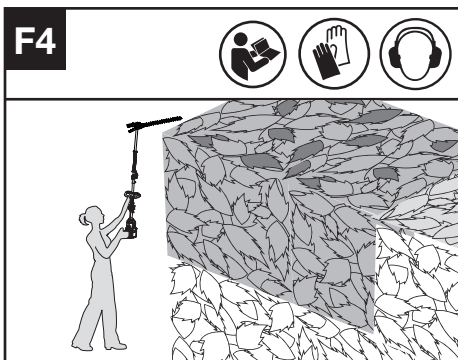




S'il est nécessaire de tailler à une certaine distance de la haie (parterre de fleurs) : réglez la pièce de coupe à l'angle approprié.

Lors de la taille des côtés de la haie, commencez par le bas et coupez vers le haut, en effilant la haie vers l'intérieur en haut. De cette manière, la forme exposera davantage la haie, ce qui entraînera une croissance plus uniforme.

Taille en hauteur (Voir Fig. F4)



Maintenez le taille-haie verticalement et balancez-le en arc pour obtenir une distance de travail maximale.

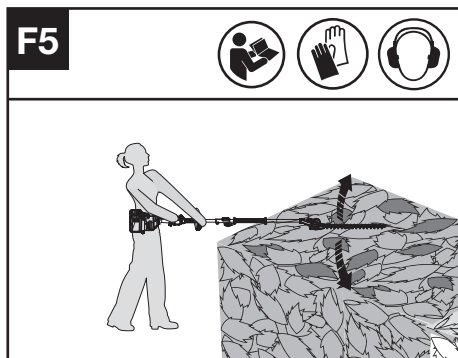
AVERTISSEMENT : Travailler à des hauteurs au-dessus du niveau des épaules peut être fatigant. Pour réduire le risque de blessure dû à la fatigue, évitez de placer la main arrière sur une poignée de commande plus haute que la hauteur des épaules. Ajustez l'angle de la lame à l'angle le plus confortable, en gardant la machine dans une position plus basse, moins fatigante tout en assurant une portée suffisante. Faites des pauses régulières.

Taille du haut de la haie (Voir Fig. F5)

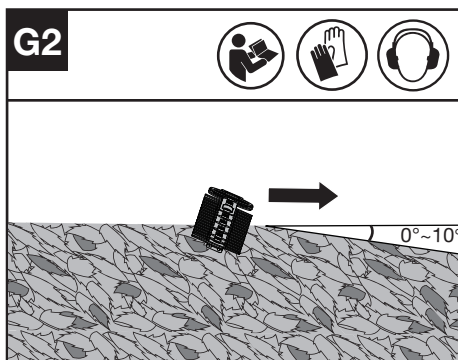
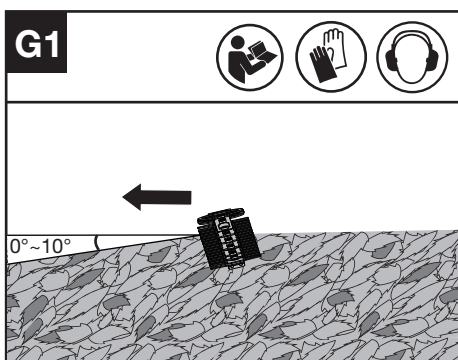
Utilisez un large mouvement balayant. Une légère

inclinaison vers le bas des lames de coupe dans le sens du mouvement donne les meilleurs résultats de coupe.

! **AVERTISSEMENT** : Si des pièces sont manquantes, endommagées ou cassées, n'utilisez pas votre taille-haie avant d'avoir remplacé ou réparé toutes les pièces endommagées. Ne pas le faire pourrait entraîner des blessures graves.



Ajustement de l'angle de coupe (Voir Fig. G1, G2)



Déplacez horizontalement la machine, utilisez un

côté de la lame et maintenez la lame à un angle de 0 à 10 degrés.

Cómo usar su cortasetos

Antes de cortar una superficie, primero examínela y retire cualquier objeto extraño que pudiera ser lanzado por o quedar atascado en la cuchilla.

Antes de ponerlo en funcionamiento, sostenga siempre el cortasetos con ambas manos y con la cuchilla alejada de Ud.

Cuando corte césped nuevo, hágalo mediante un movimiento de barrido amplio, de modo que los tallos entren directamente en la cuchilla.

Deje que las cuchillas alcancen la velocidad máxima antes de cortar. Cuando maneje la máquina mantenga las cuchillas alejadas de las personas y de objetos tales como paredes, piedras grandes, árboles, vehículos, etc.

Si la cuchilla se atasca, apague inmediatamente la herramienta. Suelte las dos palancas de interruptor antes de retirar material atascado de la cuchilla.

Use guantes cuando corte material espinoso.

No intente cortar tallos demasiado gruesos para la cuchilla.

TRANSPORT

Transport du coupe-herbe

1. Arrêtez le coupe-herbe et retirez la batterie.
2. Lorsque vous transportez votre coupe-herbe à la main, tenez-le par le milieu de l'arbre avec la tête de coupe vers l'arrière et assurez-vous que votre machine est parallèle au sol.
3. Lorsque vous transportez votre coupe-herbe dans un véhicule, fixez-le et positionnez-le pour éviter tout mouvement ou dommage.

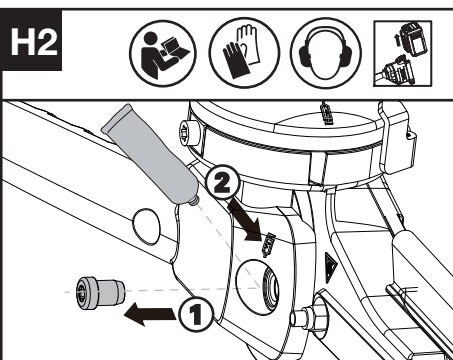
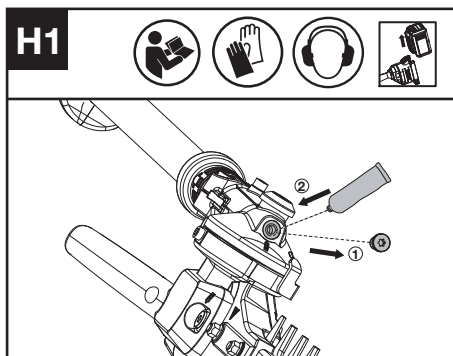
ENTRETIEN

⚠ AVERTISSEMENT ! Retirez toujours la batterie avant d'effectuer tout entretien sur le coupe-herbe. Veuillez patienter jusqu'à ce que la machine refroidisse avant d'effectuer une maintenance.

Retirez la batterie du taille-haie avant d'effectuer tout réglage, entretien ou maintenance.

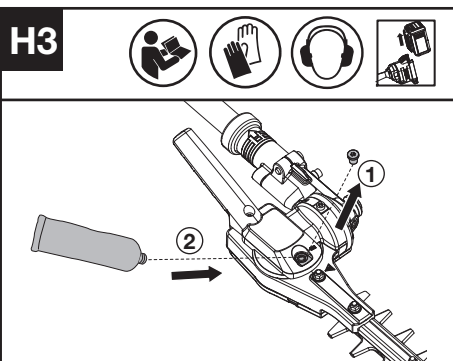
Il n'y a aucune pièce réparable par l'utilisateur dans votre équipement d'alimentation extérieure. Stockez toujours votre équipement d'alimentation extérieure dans un endroit sec. Gardez propres les fentes de ventilation du moteur. Gardez tous les commandes opérationnelles exemptes de poussière.

Lubrification de la pièce de coupe (Voir Fig. H1, H2)



1. Retirez le bouchon vissé du carter d'engrenage et injectez de la graisse dans le carter.
2. Resserrez la vis.

Lubrification de la pièce de coupe (Voir Fig. H3)



1. Retirez le bouchon vissé du carter d'engrenage et injectez de la graisse dans le carter.
2. Resserrez la vis.

Aiguisage



AVERTISSEMENT: Ne pas utiliser la machine avec des lames de coupe émoussées ou endommagées, ce qui pourrait entraîner une surcharge et des performances insatisfaisantes. Lorsque les performances de coupe commencent à se détériorer, veuillez faire affûter la lame par un professionnel. Portez toujours des gants de protection lors de la manipulation de la lame de la débroussailleuse et n'affûtez que le tranchant.

Affûtez uniquement le tranchant. Ne pas meuler les parties émoussées saillantes de la lame de coupe ou de sa protection. Utilisez une pierre à aiguiser pour éliminer les bavures du tranchant. Après l'affûtage, nettoyez la poussière de la lame de manière sécuritaire.

NETTOYAGE DE LA LAME

Vaporisez les deux côtés de la lame de coupe avec un solvant de résine, insérez la batterie et mettez en marche le taille-haie pendant quelques secondes, cela garantira une répartition uniforme du solvant de résine sur toute la lame de coupe.

REMARQUE : Veuillez vous abstenir d'utiliser une machine de nettoyage à haute pression pour nettoyer les lames et évitez d'utiliser tout liquide autre que le solvant de résine.

NETTOYAGE

1. Arrêtez le coupe-herbe et retirez la batterie.
2. N'utilisez pas de détergents ou de solvants agressifs. Nettoyez la machine après utilisation avec un chiffon humide trempé dans un détergent neutre.
3. Veillez à ce que la connexion de la batterie soit exempte de saleté et de débris, et nettoyez-la avec une brosse ou un chiffon doux et sec.
4. Ne pas pulvériser d'eau sur le moteur ni les composants électriques.
5. N'utilisez pas de nettoyeur haute pression pour nettoyer votre machine.

F

STOCKAGE

1. Retirez la batterie de la débroussailleuse avant de la ranger.
2. Rangez la débroussailleuse dans un endroit sec et sécurisé inaccessible aux enfants et à d'autres personnes non autorisées.
Retirez l'accessoire de coupe si vous ne l'utilisez pas pendant une longue période.
3. Si la machine et la batterie sont exposées à la pluie pendant le fonctionnement, elles doivent être séchées avant d'être stockées ou rechargées. Retirez la batterie et réinsérez-la si la machine ne démarre pas.

POUR LES OUTILS DE LA BATTERIE

La plage de température ambiante pour l'utilisation et le stockage de l'outil et de la batterie est -20 °C à 45 °C (-4 °F-113 °F). La plage de température ambiante recommandée pour le système de charge pendant la charge est de -5 °C à 45 °C (23 °F-113 °F).

TABLEAU DE DÉPANNAGE

Le tableau suivant décrit les vérifications et les interventions que vous pouvez effectuer si votre appareil ne fonctionne pas correctement.



AVERTISSEMENT! éteindre l'appareil et retirer la batterie avant toute tentative de réparation.

COUPE-HERBE

Problème	Causes possibles	Mesures correctives
Le voyant LED de la batterie clignote	Tension de batterie faible.	Chargez la batterie.

Le voyant LED rouge d'erreur clignote	Surcharge.	L'accessoire de coupe est bloqué. Désactivez le produit. Retirez la batterie. Nettoyez l'accessoire de coupe de tout matériau indésirable.
	Problème de température.	Laissez le produit se refroidir.
	Autres problèmes	Contactez le réparateur.
Le coupe-bordures fonctionne par intermittence.	Débris dans les connecteurs de la batterie.	Nettoyez les connecteurs de la batterie avec de l'air comprimé ou une brosse douce.
	Autres problèmes	Contactez le réparateur.
Edger fonctionne par intermittence	La batterie n'est pas complètement insérée dans l'appareil.	Retirez et réinsérez complètement la batterie.
	Problème électrique potentiel.	Contactez le réparateur.
Vibrations/bruit excessifs.	Problème avec l'accessoire de coupe. Machine défectueuse.	Remplacez l'accessoire de coupe. Contactez le réparateur.

DONNÉES TECHNIQUES

Désignation du type: **KAC200 (2- Désignation des machines, modèle de Taille haie sans fil)**

	KAC200
Longueur de la lame	22"(55cm)
Espacement des dents	1.34" (34 mm)
Degré de protection	IPX4
Poids de l'outil (Outil nu)	6.0 lbs (2.7 kg)

Positec USA, Inc. Charlotte, NC 28216 USA



Copyright © 2024, Positec. All Rights Reserved.
Copyright © 2024, Positec. Tous droits réservés.

© Derechos reservados 2024, Positec. Todos los derechos reservados.
AR01758000