

# Kress

## Commercial



Pole Saw Attachment	EN	P03
Fijación de la sierra de pértiga	ES	P17
Accessoire pour scie à perche	F	P32
<b>KAC361</b>		



# TABLE OF CONTENTS

Introduction.....	3
Component List.....	4
Product Safety.....	5
Assembly & Operation.....	8
Transportation .....	12
Saw Maintenance.....	12
Cleaning.....	15
Storage.....	15
Troubleshooting.....	15
Technical Data .....	16

## INTRODUCTION

Dear Customer,

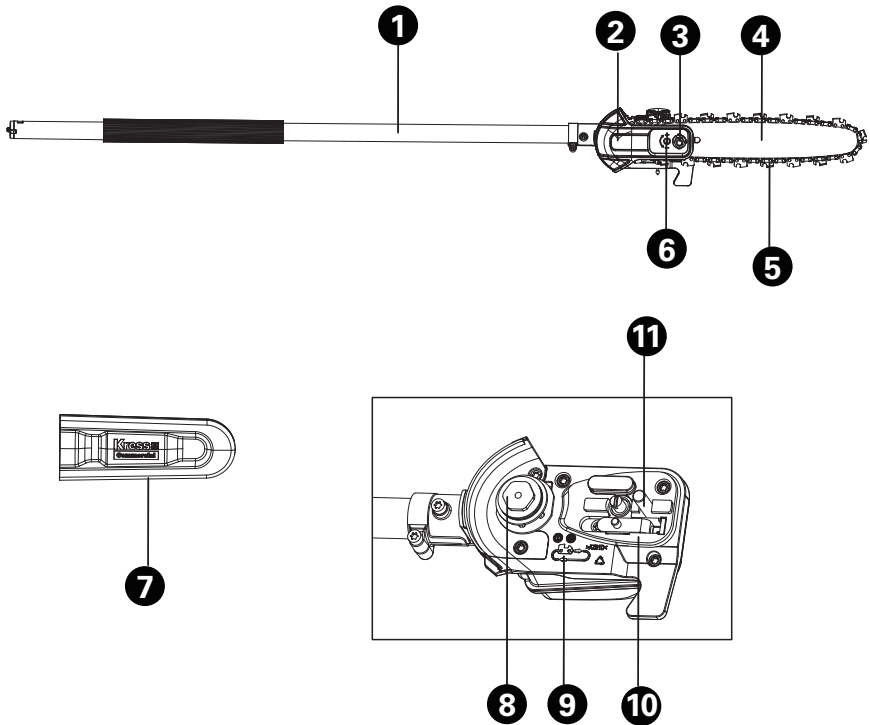
Thank you for buying this Kress Commercial product. We are dedicated to developing high quality products to meet your commercial landscaping requirements.

The Kress brand is synonymous with premium quality service. Over the years of your product's life, if you have any questions or concerns about your product, please contact your dealer or our Customer Service Team for assistance.

We are confident you will enjoy working with your Kress product for years to come.

## INTENDED USE


In conjunction with KAC104 - Power Head, this pole saw is designed for pruning and trimming branches beyond arms reach. All cuts should be across the grain. This product is intended for cutting wood only.



## COMPONENT LIST


- |     |                        |
|-----|------------------------|
| 1.  | SHAFT                  |
| 2.  | DRIVE COVER            |
| 3.  | HEX NUT                |
| 4.  | GUIDE BAR              |
| 5.  | CHAIN                  |
| 6.  | CHAIN TENSIONING SCREW |
| 7.  | PROTECTIVE SCABBARD    |
| 8.  | DRIVE SPROCKET         |
| 9.  | CHAIN DIRECTION SYMBOL |
| 10. | BAR PAD                |
| 11. | BAR LOCATING STUD      |

# PRODUCT SAFETY


 **WARNING:** Some dust created by power sanding, sawing, grinding, drilling and other construction activities contains chemicals known to the State of California to cause cancer, birth defects or other reproductive harm. Some examples of these chemicals are:

- Lead from lead-based paints;
- Crystalline silica from bricks and cement and other masonry products;
- Arsenic and chromium from chemically-treated lumber.

Your risk from these exposures varies, depending on how often you do this type of work. To reduce your exposure to these chemicals: work in a well ventilated area, and work with approved safety equipment, such as those dust masks that are specially designed to filter out microscopic particles.

 **WARNING:** This product can expose you to chemicals including lead and Di(2-ethylhexyl)phthalate (DEHP) which are known to the State of California to cause cancer and birth defects or other reproductive harm. For more information go to [www.P65Warnings.ca.gov](http://www.P65Warnings.ca.gov).

## GENERAL OUTDOOR POWER EQUIPMENT SAFETY WARNINGS

 **WARNING** Read all safety warnings and instructions. Failure to follow the warnings and instructions may result in electric shock, fire and/or serious injury.

### FOR ALL PRODUCTS:

- 1) Avoid Dangerous Environment - Don't use products in damp or wet locations.
- 2) Don't Use In Rain.
- 3) Keep Children Away - All visitors should be kept at a distance from work area.
- 4) Dress Properly - Do not wear loose clothing or jewelry. They can be caught in moving parts. Use of rubber gloves and substantial footwear is recommended when working outdoors. Wear protective hair covering to contain long hair.
- 5) Use Safety Glasses - Always use face or dust mask if operation is dusty.
- 6) Use Right Product - Do not use product for any job except that for which it is intended.
- 7) Don't Force Product - It will do the job better and with less likelihood of a risk of injury at the rate for which it was designed.
- 8) Don't Overreach - Keep proper footing and balance at all times.
- 9) Stay Alert - Watch what you are doing. Use common sense. Do not operate product when you are tired.
- 10) Store Idle Products Indoors - When not in use, products should be stored indoors in dry, and

- high or locked-up place - out of reach of children.
- 11) Maintain Product With Care - Keep cutting edge sharp and clean for best performance and to reduce the risk of injury. Follow instructions for lubricating and changing accessories. Keep handles dry, clean, and free from oil and grease.
- 12) Check Damaged Parts - Before further use of the product, a guard or other part that is damaged should be carefully checked to determine that it will operate properly and perform its intended function. Check for alignment of moving parts, binding of moving parts, breakage of parts, mounting, and any other condition that may affect its operation. A guard or other part that is damaged should be properly repaired or replaced by an authorized service center unless indicated elsewhere in this manual.

### FOR ALL BATTERY - OPERATED OUTDOOR POWER EQUIPMENT:

- 1) Prevent unintentional starting. Ensure the switch is in the off-position before connecting to battery pack, picking up or carrying the product. Carrying the product with your finger on the switch or energizing product that have the switch on invites accidents.
- 2) Disconnect the battery pack from the product before making any adjustments, changing accessories, or storing product. Such preventive safety measures reduce the risk of starting the product accidentally.
- 3) Recharge only with the charger specified by the manufacturer. A charger that is suitable for one type of battery pack may create a risk of fire when used with another battery pack.
- 4) Use products only with specifically designated battery packs. Use of any other battery packs may create a risk of injury and fire.
- 5) When battery pack is not in use, keep it away from other metal objects, like paper clips, coins, keys, nails, screws or other small metal objects, that can make a connection from one terminal to another. Shorting the battery terminals together may cause burns or a fire.
- 6) Under abusive conditions, liquid may be ejected from the battery; avoid contact. If contact accidentally occurs, flush with water. If liquid contacts eyes, additionally seek medical help. Liquid ejected from the battery may cause irritation or burns.
- 7) Do not use a battery pack or product that is damaged or modified. Damaged or modified batteries may exhibit unpredictable behavior resulting in fire, explosion or risk of injury.
- 8) Do not expose a battery pack or product to fire or excessive temperature. Exposure to fire or temperature above 265 °F may cause explosion.
- 9) Follow all charging instructions and do not charge the battery pack or product outside of the temperature range specified in the instructions. Charging improperly or at temperatures outside of the specified range may damage the battery

and increase the risk of fire.

- 10) Have servicing performed by a qualified repair person using only identical replacement parts. This will ensure that the safety of the product is maintained.
- 11) Do not modify or attempt to repair the product or the battery pack (as applicable) except as indicated in the instructions for use and care.

## POLE SAW SAFETY WARNINGS

**WARNING** – Do not operate near electrical power lines. The unit has not been designed to provide protection from electric shock in the event of contact with overhead electric lines. Consult local regulations for safe distances from overhead electric power lines and ensure that the operating position is safe and secure before operating the pole saw.

- a) Keep all parts of the body away from the saw chain. Make sure the switch is off when clearing jammed material. Saw chain continues to move after the switch is turned off. A moment of inattention while operating the pole saw may result in serious personal injury.
- b) Carry the pole saw by the handles with the saw chain stopped. When transporting or storing the pole saw, always fit the scabbard. Proper handling of the pole saw will reduce possible personal injury from the saw chain.
- c) Hold the pole saw by insulated gripping surfaces only, because the saw chain may contact hidden wiring or its own cord. A saw chain contacting a "live" wire may make exposed metal parts of the pole saw "live" and could give the operator an electric shock.
- d) Keep all cables away from cutting area. During operation the cable may be hidden in shrubs and can be accidentally cut by the saw chain.
- e) Do not use the pole saw in bad weather conditions, especially when there is a risk of lightning. This decreases the risk of being struck by lightning.
- f) To reduce the risk of electrocution, never use near any electrical power lines. Contact with or use near power lines may cause serious injury or electric shock resulting in death.
- g) Always use two hands when operating the pole saw. Hold the pole saw with both hands to avoid loss of control.
- h) Always use head protection when operating the pole saw overhead. Falling debris can result in serious personal injury.

**Avoid storage in direct sunlight.**

- c) **Do not short-circuit a battery pack. Do not store battery packs haphazardly in a box or drawer where they may short-circuit each other or be short-circuited by other metal objects.** When battery pack is not in use, keep it away from other metal objects, like paper clips, coins, keys, nails, screws or other small metal objects, that can make a connection from one terminal to another. Shorting the battery terminals together may cause burns or fire.
- d) **Do not subject battery pack to mechanical shock.**
- e) **In the event of battery leaking, do not allow the liquid to come in contact with the skin or eyes. If contact has been made, wash the affected area with copious amounts of water and seek medical advice.**
- f) **Do not use any battery pack which is not designed for use with the equipment.**
- g) **Keep battery pack out of the reach of children.**
- h) **Always purchase the battery pack recommended by the device manufacturer for the equipment.**
- i) **Keep battery pack clean and dry.**
- j) **Wipe the battery pack terminals with a clean dry cloth if they become dirty.**
- k) **Battery pack needs to be charged before use. Always use the correct charger and refer to the manufacturer's instructions or equipment manual for proper charging instructions.**
- l) **Do not leave battery pack on prolonged charge when not in use.**
- m) **After extended periods of storage, it may be necessary to charge and discharge the battery pack several times to obtain maximum performance.**
- n) **Recharge only with the charger specified by Kress. Do not use any charger other than that specifically provided for use with the equipment.**
- o) **Retain the original product literature for future reference.**
- p) **Use only the battery pack in the application for which it was intended.**
- q) **Remove the battery pack from the equipment when not in use.**
- r) **Dispose of properly.**
- s) **Do not mix cells of different manufacture, capacity, size or type within a device.**
- t) **Keep the battery away from microwaves and high pressure.**

**SAVE THESE INSTRUCTIONS**

## SAFETY WARNINGS FOR BATTERY PACK

- a) **Do not dismantle, open or shred battery pack.**
- b) **Do not expose battery pack to heat or fire.**

# SYMBOLS

	To reduce the risk of injury, user must read instruction manual
	WARNING
	Wear ear protection
	Wear eye protection
	Wear dust mask
	Wear head protection
	Protective gloves
	Protective footwear
	Warning of danger from overhead electric-power lines
	Li-Ion battery, battery must be recycled
	Do not burn
	Batteries may enter water cycle if disposed improperly, which can be hazardous for ecosystem. Do not dispose of waste batteries as unsorted municipal waste.
	Unlock

	Lock
--	------



**call2recycle®**

Positec Inc. has established a partnership with the RBRC Corporation to recycle any Positec batteries with the RBRC-call2recycle seal. For environmental protection, please do not discard batteries in the trash.

After the batteries' life cycle is ended, then please call 1-800-822-8837 for a free service that will properly dispose of the battery.

EN

# ASSEMBLY & OPERATION



**NOTE:** Before using the tool, read the instruction book carefully.

## ASSEMBLY



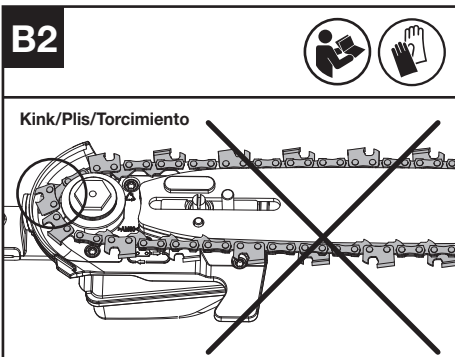
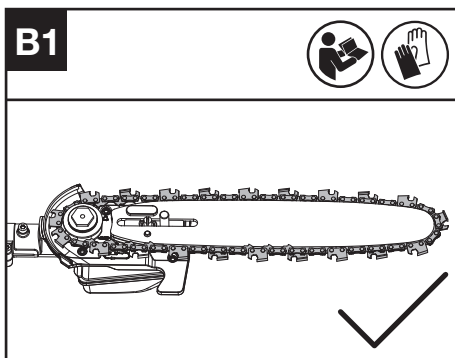
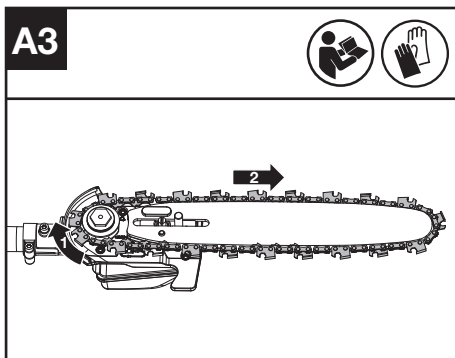
**WARNING!** Do not install the battery pack before it has been completely assembled. Always use gloves when handling the chain.

### CHAIN AND GUIDE BAR ASSEMBLY

1. Loosen the hex nut to remove the drive cover. Slide the chain in the slot around the guide bar. Ensure the chain is in correct running direction. (See Fig. A1)
2. Fit the chain onto the drive sprocket, so that the bar locating stud on the bar pad fits into the keyway of the opening on the guide bar. (See Fig. A2, A3)
3. Assure all parts are seated properly. Make sure the drive links are fully seated in the drive sprocket (See Fig. B1), avoiding a kink as shown in Fig. B2. If kink occurs, pick up on the chain at the guide bar just ahead of the kink and then pull the kink out.

**NOTE:** Chain should rotate freely but requires a level of force to rotate the chain

4. Fit the drive cover and tighten the hex nut.



**WARNING:** The chain is not yet tensioned. Tensioning the chain applies as described under "TENSIONING CHAIN". The chain now needs to be inspected to make sure it is properly tensioned.

### TENSIONING CHAIN (SEE FIG. C, D)

**NOTE:** New saw chains will seat to the bar when first used. Check the chain tension frequently when first used and tighten when the chain becomes loose around the guide bar.

- Removing the battery pack before adjusting saw chain tension.



- Cutting edges on chain are sharp. Use protective gloves when handling chain.
- Maintain proper chain tension always. A loose chain may jump out of guide bar groove. This may injure operator and damage chain. A loose chain will cause the chain, bar, and sprocket to wear rapidly.

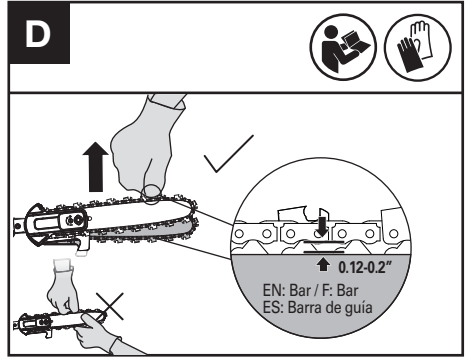
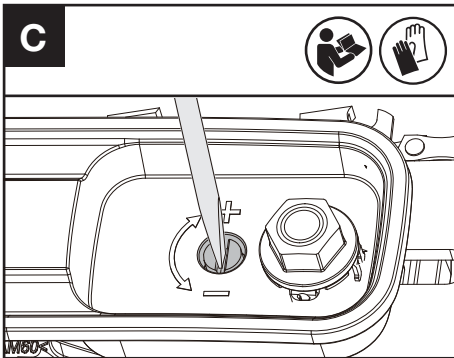
1. Place the pole saw on any suitable flat surface and loosen the hex nut.
2. Turn the chain tensioning screw clockwise until it is tight. (See Fig. C)

**NOTE:** The tension is automatically increased while the chain tensioning screw is being turned in a clockwise direction. Then tighten the hex nut securely.

3. Check the tension set by the chain tensioning screw. The correct chain tension is reached when the chain can be raised approx. Half the driveline depth from the guide bar in the center. This should be done by using a gloved hand to raise the chain against the weight of the machine. (See Fig. D) Then fully tighten the hex nut.

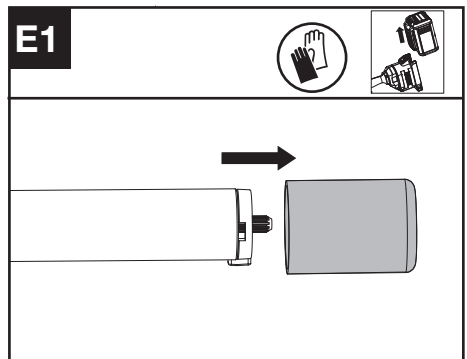
**NOTE:** The chain is properly tensioned when it can be lifted off of the guide bar and the driveline is within the rail of the guide bar.

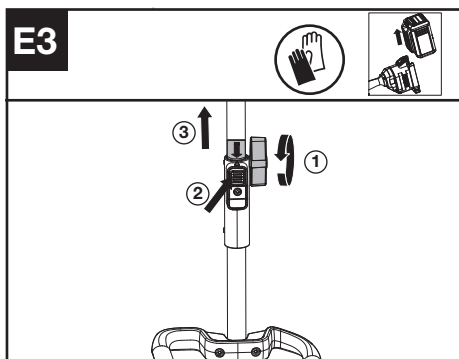
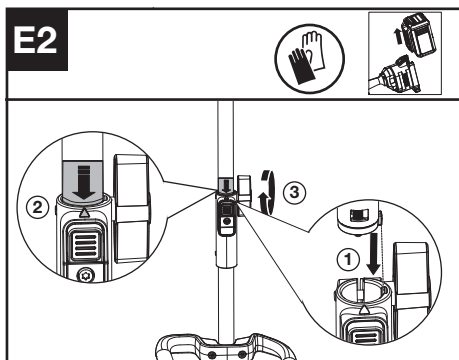
**NOTE:** The chain will loosen while cutting and lose proper tension. When the chain becomes loose, loosen the hex nut, retighten the chain tensioning screw then retighten the hex nut to properly reset the chain tension following steps 1 through 3 listed previously.



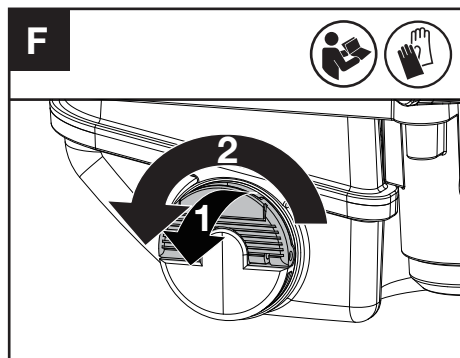
### Assembling and disassembling the power head (See Fig. E1, E2, E3)

1. Remove the protective cap from the end of the attachment shaft.
2. To assemble, align the triangle icon on the button with the arrow label on the attachment shaft.
3. Push the shafts together until you hear a "click". The edge of the arrow label should be close to the shaft connection housing. (Note: If the pole saw working head cannot be fully installed into the power head, rotate the pole saw working head a little until it is possible to insert the shaft fully.)
4. Finish the assembly by tightening the knob clockwise.
5. To disassemble, loosen the knob, turn counter clockwise, then press the release button and pull the shafts apart. Replace the protective cap on the attachment shaft to ensure that dust and debris do not get into the shaft.



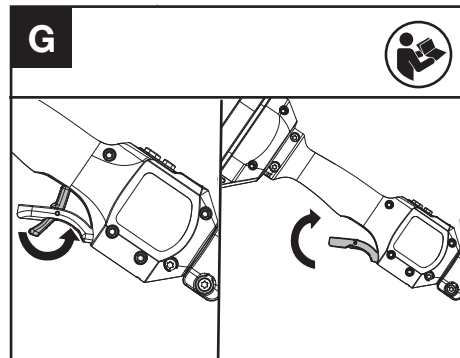


range with no dilution required. This can be found at the location where you purchased this saw or your local hardware store. Do not use dirty, used or otherwise contaminated oils. Damage may occur to the bar or chain. Use of non approved bar & chain oil will void the warranty. Keep bar oil out of reach of children. If swallowed, call a physician immediately. Store away from heat or open flame.



## OPERATION

### Starting the pole saw



1. Push the Safety Lock Off Lever forward first, then squeeze and hold the throttle trigger to start the machine

**NOTE:** More details can be found in the power head manual.

### CUTTING

**! IMPORTANT:** Check oil tank periodically. Check recent replaced chain tension every time you replace the battery pack.

- (1) Installing the battery pack into the machine.
- (2) Do not allow the chain to come in contact with ground while operating as this will dull the chain.

## LUBRICATION (SEE FIG. F)

**! IMPORTANT:** The pole saw is not filled with bar & chain oil. It is essential to fill with bar & chain oil before use. Never operate the pole saw without bar & chain oil or allow the tank to become empty, as this will result in extensive damage to the product.

**NOTE:** Chain life and cutting capacity depend on optimum lubrication. Therefore, the chain is automatically oiled during operation.

### FILLING OIL TANK:

**! WARNING:** Remove the battery pack before filling the oil tank.

1. Set pole saw on any suitable surface with oil fill cap facing upward.
2. Clean area around the oil fill cap with cloth and unscrew the cap by turning it counter clockwise.
3. Add bar & chain oil until tank is almost completely full.
4. Avoid dirt or debris entering oil tank, refit oil fill cap and tighten by turning clockwise until hand tight.

**! It is important to use bar and chain lubricant (not automotive oil) that is formulated to perform over a wide temperature**

- (3) Use both hands to grip saw.
- (4) Make sure your footing is firm. Keep feet-shoulder width apart. Distribute your weight evenly on both feet.
- (5) When ready to make a cut, follow the above starting procedures and speed selection. This will turn saw on. Releasing the trigger will turn the saw off. Make sure the saw is running at full speed before starting a cut.
- (6) When starting a cut, slowly place moving chain against the wood. The wood should be as close to the cutting head as possible. Hold saw firmly in place to avoid possible bouncing or skating (sideways movement) of saw.
- (7) Guide the saw using light pressure and do not put excessive force on the saw, letting the saw do its work. The motor will overload and can burn out. It will do the job better and safer at the rate for which it was intended.
- (8) Remove the saw from a cut with the saw running at full speed. Stop the saw. Make sure the chain has stopped before setting the saw down.
- (9) Practice on scrap logs in a secure working area until you are comfortable, using a fluid motion and a steady cutting rate.

### KICKBACK SAFETY DEVICES ON THIS SAW

This saw has a low-kickback chain and reduced kickback guide bar. Both items reduce the chance of kickback. However, kickback can still occur with this pole saw.

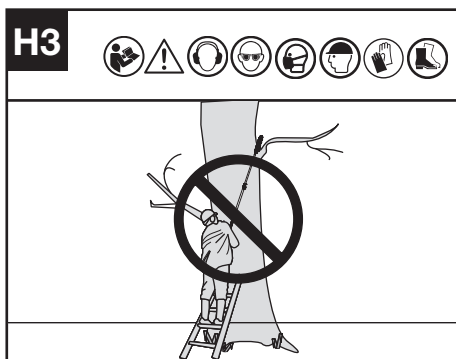
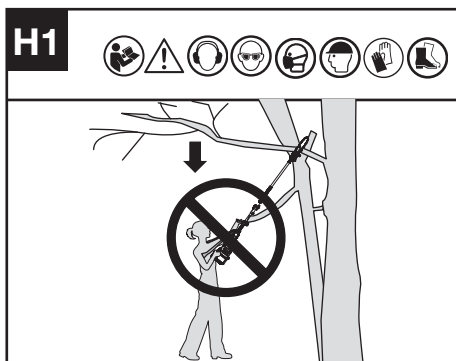
The following steps will reduce the risk of kickback.

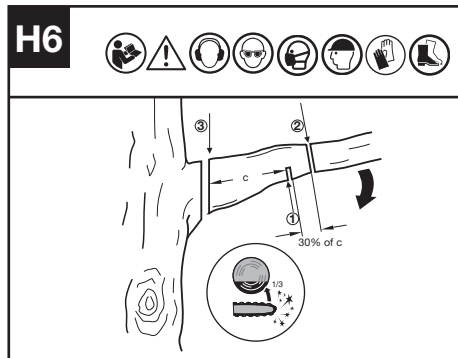
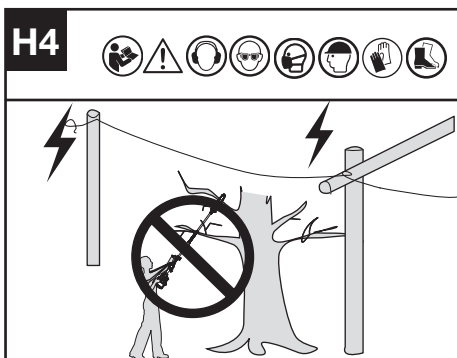
- Use both hands to grip saw while saw is running. Use firm grip.
- Keep all safety items in place on saw. Make sure they work properly.
- Keep solid footing and balance at all times.
- Stand slightly to the left side of saw. This keeps your body from being in direct line with chain.
- Do not let guide bar nose touch anything when chain is moving.
- Do not bury the guide bar nose or try plunge cut (boring into wood using guide bar nose).
- Watch for shifting of wood or other forces that may pinch chain.
- Use extreme caution when re-entering a previous cut.
- Use only the low-kickback chain and guide bar that were supplied with this pole saw or recommended.
- Never use a dull or loose chain. Keep chain sharp with proper tension.

### CUTTING HIGH BRANCHES

1. Install the battery pack into the machine.
2. Before cutting a high branch, pay particular attention to the likely path of the falling branch.
 

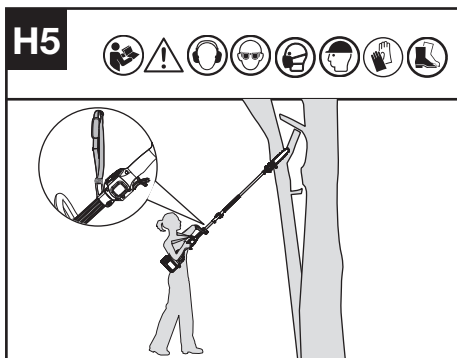
**WARNING:** Do not stand directly below a branch being cut. Keep bystanders far away. Do not stand on a ladder or other type of unstable support while using the tool. Do not use the tool near cable, electrical power or telephone lines. Keep 10 ft (3m) away from all power lines. (See Fig. H1-H4)





3. Use both hands to grip the pole saw and cut branches.

2. Move a few inches (30% of c) farther up on limb. Make second cut from above limb. Continue cut until you cut limb off.
3. Make the third cut as close to the tree trunk as possible fully severing the remaining stub. Use bottom of guide bar to make this cut.



### TRIMMING A TREE (PRUNING)

**WARNING: Avoid kickback. Kickback can result in severe injury or death.**

**See Kickback, to avoid risk of kickback.**

**WARNING: Do not operate pole saw while**

- in a tree
- on a ladder or any other unstable surface
- in any awkward position

**You may lose control of pole saw causing severe injury.**

**CAUTION: Seek professional help if facing conditions beyond your ability.**

Trimming a tree is the process of cutting limbs from a living tree. Make sure your footing is firm. Keep feet apart. Divide your weight evenly on both feet. Follow directions below to trim a tree.

1. Make the first cut a few inches (c) from the tree trunk on underside of limb. Use top of guide bar to make this cut. Cut 1/3 through diameter of limb (See Fig. H6).

### FOR BATTERY TOOLS

The recommended ambient temperature range for discharging is -4 °F-113 °F (-20 °C-45 °C).

The recommended ambient temperature range for the charging system during charging is 23 °F-113 °F (-5 °C-45 °C).

## TRANSPORTATION

### Transporting the pole saw

1. Switch off the pole saw and remove the battery.
2. When transporting your pole saw by hand, hold the pole of the pole saw making sure the machine is parallel to the ground and the bar is facing rearward.
3. When transporting your pole saw in a vehicle, secure and position it to prevent movement or damage.

## SAW MAINTENANCE

Follow the maintenance instructions in this manual. Proper cleaning and maintenance of saw, chain and guide bar can reduce chances of wear. Inspect and maintain saw after each use. This will increase the service life of your saw. If the saw gets wet in the rain during operation, the machine and the battery pack should be dried before storing or charging.

## MAINTENANCE AND STORAGE OF POLE SAW

1. Remove the battery pack

- When not in use
- Before moving from one place to another
- Before servicing
- Before changing accessories or attachments, such as saw chain and bar

**2. Inspect pole saw before and after each use.**

Check saw closely if the guard or other part has been damaged. Check for any damage that may affect operator safety or operation of saw. Check for alignment or binding of moving parts. Check for broken or damaged parts. Do not use pole saw if damage affects safety or operation. Have damage repaired by authorized service center.

**3. Maintain pole saw with care.**

- Keep chain sharp, clean, and lubricated for better and safer performance.
- Follow steps outlined in this manual to sharpen chain.
- Keep handles dry, clean, and free of oil and grease.
- Keep all screws and nuts tight.

**4. When servicing, use only identical replacement parts.**

**5. When not in use, always store pole saw**

- in a high or locked place, out of children's reach
- in a dry place
- with protective scabbard in position

**BAR MAINTENANCE**

To maximize bar life, the following bar maintenance is recommended.

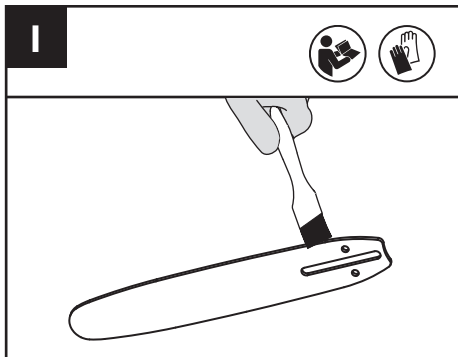
The bar rails that carry the chain should be cleaned before storing the tool or if the bar or chain appear to be dirty.

The rails should be cleaned every time the chain is removed.

Occasional de-burring of the bar rails may be necessary with a flat file

**TO CLEAN THE BAR RAILS**

1. Remove chain cover, bar and chain. (see section ASSEMBLY)
2. Using a wire brush, screwdriver or similar tool, clear the residue from the inner groove of the bar. (See Fig. I)
3. Make sure to clean oil passages thoroughly.



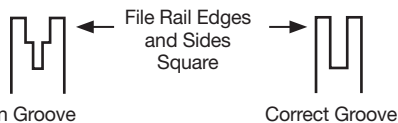
**CONDITIONS WHICH REQUIRE CHAIN AND GUIDE BAR MAINTENANCE:**

- Saw cuts to one side or at an angle.
- Saw has to be forced through the cut.
- Inadequate supply of oil to the bar and chain.

Check the condition of the guide bar each time the chain is sharpened. A worn guide bar will damage the chain and make cutting difficult.

After each use, remove the battery pack, clean all sawdust from the guide bar and sprocket hole.

When rail top is uneven, use a flat file to restore square edges by removing any burrs from the side or top of the bar.



Replace the guide bar when the groove is worn, the guide bar is bent or cracked, or when excess heating or burring of the rails occurs. If replacement is necessary, use only the guide bar specified for your saw in the repair parts list or on the decal located on the pole saw.

**REPLACING BAR & CHAIN**

Replace chain when cutters are too worn to sharpen or when the chain becomes inoperable. Only use replacement chain noted in this manual.

Inspect guide bar before sharpening chain. A worn or damaged guide bar is unsafe. A worn or damaged guide bar will damage chain. It will also make cutting harder.

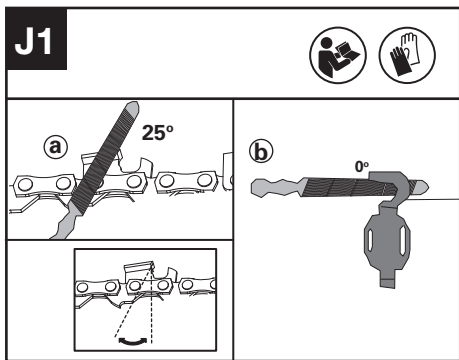
**SHARPENING SAW CHAIN**

**WARNING:** Remove the battery pack before servicing. Severe injury or death could occur from electrical shock or body contact with moving chain.

**Cutting edges on chain are sharp. Use protective gloves when handling chain.**

Keep chain sharp. Your saw will cut faster and more safely. A dull chain will cause undue sprocket, guide bar, chain, and motor wear. If you must force chain into wood and cutting creates only fine sawdust with few large chips, chain is dull.

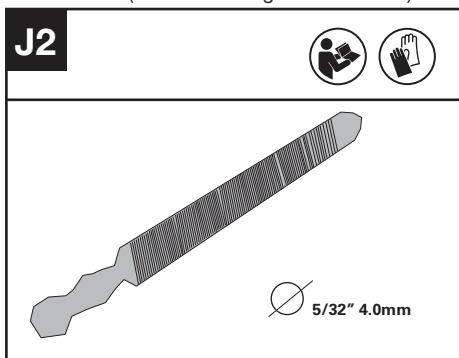
**Before sharpening, please pay attention of the following steps:( See Fig. J1)**



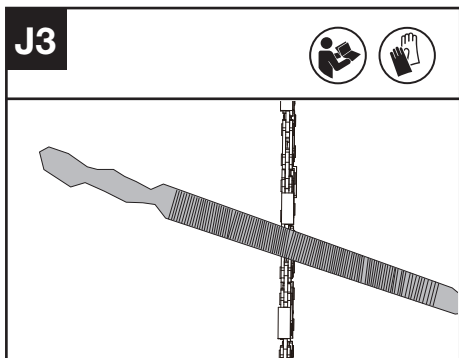
a: Filing angle; b: file position

### How to sharpen the cutters

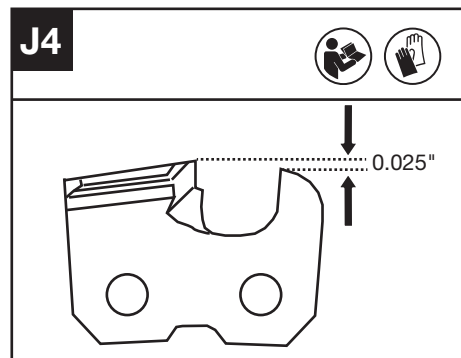
1. Prepare a round file to sharpen the cutters. (See Fig J2). **Note:** Firmly clamp the guide bar in a vice before sharpening the chain. Ensure that the chain is not "nipped" and can freely move on the guide bar. Check that the chain is properly tensioned. (See "Tensioning Chain" section)



2. Sharpen the cutters with file from the inner side of cutting teeth towards the outside of the chain. (See Fig. J3)



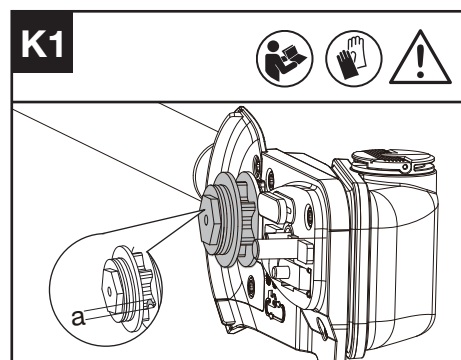
3. File all the cutters on one side of the guide bar.
4. Turn the chainsaw around and file all of the cutters on the opposite side.
5. Ensure that the length of all cutting teeth is same. To ensure efficient, safe and smooth cutting, file the depth gauge height to 0.025" (0.65mm). Make sure that the leading edge of the depth gauge is rounded off. (See Fig. J4)

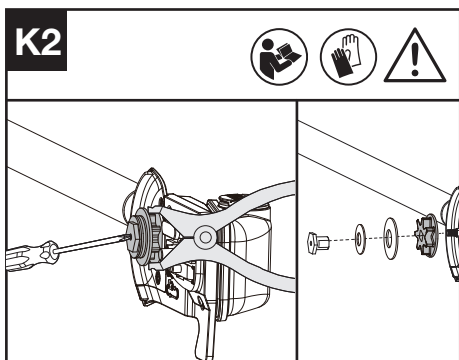


## INSPECKING AND MAINTAINING THE CHAIN SPROCKET

**WARNING:** Before check, it is a must to turn off the pole saw and remove the battery.

1. Remove the dive sprocket cover, saw chain and guide bar.
2. Check if the wear marks are deeper than  $a=0.020'$  (0.5mm) as shown in Fig. K1, if so, then the chain sprocket should be replaced. (See Fig. K1)
3. When replace chain sprocket, control the sprocket with pliers and use screwdriver to loosen nut and replace it. (See Fig. K2)





## CLEANING

1. Switch off the pole saw and remove the battery.
2. Do not use aggressive detergents or solvents. Clean the machine after use with a damp cloth dipped in mild detergent.
3. Keep battery connection free of dirt and debris, and clean with a soft and dry brush or cloth.
4. Do not spray water onto the motor and electrical components.
5. Do not use pressure washer to clean your machine.

## STORAGE

1. Remove the battery pack from the pole saw before storage.
2. Store the pole saw and the battery in a dry and secure place that is inaccessible to children and other unauthorized people.
3. If the saw gets wet in the rain during operation, the machine and the battery pack should be dried before storing or charging.

## TROUBLESHOOTING

The following table gives checks and actions that you can perform if your machine does not operate correctly. If these do not identify/remedy the problem, contact your service agent.



**WARNING: Switch off and remove the battery pack before investigating fault.**

Symptom	Possible Cause	Remedy
Pole saw fails to operate	Battery depleted	Charge the battery pack
Pole saw operates intermittently	Over heating	Place the machine in a cool, ventilated place to cool it down
	Applying too much pressure while cutting.	Apply less pressure while cutting
	Loose connection.	Contact your service agent.
	Internal wiring defective.	
	On/off trigger defective.	
Dry chain	No oil in oil tank	Refill oil
	Vent in oil fill cap clogged	Clean cap
	Oil passage clogged	Clean oil passage outlet

Chain/chain bar over-heats	No oil in oil tank	Refill oil
	Vent in oil fill cap clogged	Clean cap
	Oil passage clogged	Clean oil passage outlet
	Chain is over tensioned	Adjust chain tension
	Dull chain	Sharpen chain or replace
Pole saw vibrates, does not saw properly	Chain tension too loose	Adjust chain tension
	Dull chain	Sharpen chain or replace
	Chain worn out	Replace chain
	Chain teeth are facing in the wrong direction	Reassemble with chain in correct direction

## TECHNICAL DATA

	<b>KAC361</b>
Bar length	10" (25 cm)
Oil tank capacity	5.4 oz. (160 ml)
Chain pitch	3/8" LP
Chain gauge	.043 " (1.1 mm)
Degree of protection	IPX4
Machine weight	3.9 lbs (1.8kg)

## COMBINATIONS OF CUTTING ATTACHMENTS

<b>Cutting attachment</b>
KAC333-10"/25cm 0.043"/1.1mm 3/8 LP bar
KAC302-10"/25cm 0.043"/1.1mm 3/8 LP chain



# TABLA DE CONTENIDO

Introducción.....	17
Lista de componentes.....	18
Seguridad del producto.....	19
Ensamble & Funcionamiento.....	22
Transporte.....	27
Mantenimiento de la sierra.....	27
Limpieza.....	29
Almacenamiento.....	29
Tabla de resolución de problemas.....	30
Datos técnicos.....	30

## INTRODUCCIÓN

ES

Estimado Cliente,

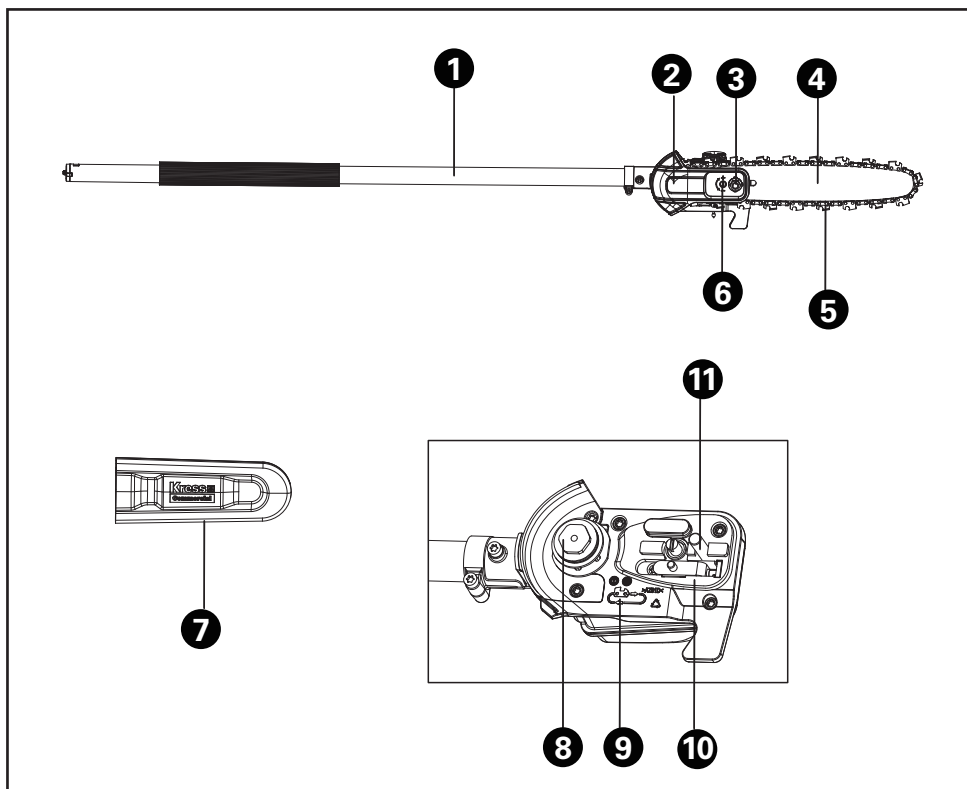
Gracias por comprar este producto Kress Commercial. Nos dedicamos a desarrollar productos de alta calidad para satisfacer sus necesidades de paisajismo comercial.

Kress respalda un servicio de calidad superior. Durante la vida útil de su producto, si tiene alguna pregunta o duda sobre su producto, póngase en contacto con su distribuidor o con nuestro equipo de atención al cliente para que reciba asistencia.

Esperamos que disfrute trabajar con su producto Kress.

## USO PREVISTO

En combinación con KAC104 - Cabezal motorizado, esta sierra de pértiga está diseñada para podar y recortar ramas fuera del alcance de los brazos. Todos los cortes deben realizarse en dirección perpendicular a la veta de la madera. Este producto está destinado exclusivamente para cortar madera.



## LISTA DE PARTES

- |     |                                     |
|-----|-------------------------------------|
| 1.  | EJE                                 |
| 2.  | CUBIERTA DEL MECANISMO DE IMPULSIÓN |
| 3.  | TUERCAS HEXAGONALES                 |
| 4.  | BARRA DE GUÍA                       |
| 5.  | CADENA SERRADA                      |
| 6.  | TORNILLO TENSOR DE LA CADENA        |
| 7.  | VAINA PROTECTORA                    |
| 8.  | PIÑÓN DE IMPULSIÓN                  |
| 9.  | SÍMBOLO DE DIRECCIÓN DE LA CADENA   |
| 10. | ALMOHADILLA DE LA BARRA             |
| 11. | PERNO DE LOCALIZACIÓN DE LA BARRA   |

# SEGURIDAD DEL PRODUCTO

**⚠️ ADVERTENCIA!** Este producto podría contener plomo, ftalato y otros químicos identificados por el Estado de California como causantes de cáncer, defectos congénitos y otras lesiones reproductivas. Lave sus manos después de cada uso.

- El plomo de las pinturas a base de plomo.
- La sílice cristalina de los ladrillos, del cemento y de otros productos de albañilería.
- El arsénico y el cromo de la madera tratada químicamente.

El riesgo que se corre a causa del contacto con esos productos varía según la frecuencia con que usted realice este tipo de trabajos. Con el fin de reducir su exposición a esas sustancias químicas: trabaje en un área bien ventilada; utilice un equipo de seguridad adecuado, tal como una máscara contra el polvo especialmente diseñada para filtrar partículas microscópicas.

**⚠️ ADVERTENCIA!** Este producto puede exponerlo a sustancias químicas, como plomo y di (2-etilhexilo) ftalato (DEHP), que el estado de California reconoce como causantes de cáncer y defectos de nacimiento u otros daños reproductivos. Para más información visite [www.P65Warnings.ca.gov](http://www.P65Warnings.ca.gov).

## ADVERTENCIAS DE SEGURIDAD GENERALES PARA LA HERRAMIENTA MOTORIZADA

**⚠️ ADVERTENCIA!** Lea y comprenda todas las instrucciones. El no seguir todas las instrucciones a continuación puede ocasionar descargas eléctricas, incendios y/o heridas graves.

### PARA TODAS LAS HERRAMIENTAS:

- 1) Evite ambientes peligrosos. No utilice las herramientas en lugares húmedos o mojados.
- 2) No trabaje bajo la lluvia.
- 3) Mantenga alejados a los niños. Todos los visitantes deben mantenerse a distancia del área de trabajo.
- 4) Vístase apropiadamente. No use ropas sueltas o alhajas, ya que pueden quedar atrapadas en las piezas móviles. Cuando se trabaja al aire libre se recomienda el uso de guantes de goma y calzado resistente. Emplee protección adecuada para contener el cabello largo.
- 5) Utilice gafas de seguridad. Emplee siempre máscara para la cara o máscara anti-polvo en operaciones donde se emite mucho polvo.
- 6) Utilice la herramienta correcta. Emplee la herramienta únicamente para la finalidad para la cual fue diseñada.

- 7) No fuerce la herramienta. Hará un trabajo mejor y más seguro a la velocidad para la cual fue diseñada.
- 8) No se extralimite. Manténgase firme y con buen equilibrio en todo momento.
- 9) Permanezca alerta. Ponga siempre atención en lo que está haciendo. Utilice el sentido común. No opere la herramienta cuando esté cansado.
- 10) Guarde las herramientas que no usa en lugares cerrados. Cuando no se encuentran en uso, las herramientas deben guardarse en un lugar seco, elevado o cerrado con llave, lejos del alcance de los niños.
- 11) Mantenga la herramienta con cuidado. Conserve los bordes cortantes limpios y bien afilados, a fin de obtener el mejor rendimiento y reducir los riesgos de lesiones. Siga las instrucciones para la lubricación y el cambio de accesorios. Examine periódicamente el cable de la herramienta y si está dañado hágalo reparar por un agente autorizado. Examine periódicamente los prolongadores y sustitúyalos si están dañados. Mantenga los mangos secos, limpios y libres de aceite y grasa.
- 12) Verifique las piezas dañadas. Las guardas protectoras u otras partes dañadas deben verificarse cuidadosamente antes de cualquier uso futuro de la herramienta, a fin de determinar si funcionarán correctamente y realizarán la función prevista. Compruebe que las piezas móviles se encuentren alineadas y correctamente ajustadas, que no haya rotura de piezas, de montaje o cualquier otra condición que pueda afectar su funcionamiento. Una guarda protectora u otra pieza que se encuentre dañada debe ser reparada o sustituida correctamente en un centro de servicio autorizado, a menos que en este manual de instrucciones se indique lo contrario.

### PARA TODOS LOS EQUIPOS DE POTENCIA PARA EXTERIORES OPERADOS CON BATERÍA:

- 1). Evite el encendido inadvertido. Asegúrese que el interruptor esté en la posición de apagado antes de conectar el paquete de batería, al levantar o transportar el aparato. Transportar el aparato con su dedo sobre el interruptor o energizar el aparato que tenga el interruptor encendido provoca accidentes.
- 2). Desconecte el paquete de batería del aparato antes de realizar cualquier ajuste, cambiar los accesorios, o guardar el aparato. Tales medidas preventivas de seguridad reducen el riesgo de encender el aparato por accidente.
- 3). Recargue únicamente con el cargador especificado por Worx. Un cargador que es adecuado para un tipo de paquete de batería puede crear un riesgo de incendio cuando se usa con otro paquete de batería.
- 4). Use los electrodomésticos sólo con paquetes de baterías específicamente diseñados. El uso de cualquier otro paquete de baterías puede crear

un riesgo de lesiones e incendios.

- 5). Cuando la batería no esté en uso, manténgala alejada de otros objetos metálicos, como sujetadores de papel, monedas, llaves, clavos, tornillos u otros objetos metálicos pequeños, que puedan establecer una conexión de una terminal a otra. Poner en corto las terminales de la batería puede causar quemaduras o un incendio.
- 6). Bajo condiciones de abuso, puede expulsarse líquido de la batería; evite el contacto. Si ocurre contacto accidentalmente, lave con agua. Si el líquido entra en contacto con los ojos, busque ayuda médica adicional. El líquido expulsado de la batería puede causar irritación o quemaduras.
- 7). No use un paquete de batería o aparato dañado o modificado. Las baterías dañadas o modificadas pueden presentar un comportamiento impredecible que puede provocar un incendio, una explosión o un riesgo de lesiones.
- 8). No exponga la batería o el artefacto al fuego ni a temperaturas excesivas. La exposición al fuego o la temperatura por encima de 130 °C(265 °F) pueden causar una explosión.
- 9). Siga todas las instrucciones de carga y no cargue la batería o el dispositivo fuera del rango de temperatura especificado en las instrucciones. La carga incorrecta o a temperaturas fuera del rango especificado puede dañar la batería y aumentar el riesgo de incendio.
- 10). Pida que una persona de reparación calificada dé servicio usando únicamente partes de reemplazo idénticas. Esto garantizará que se mantenga la seguridad del producto.
- 11). No modifique ni intente reparar el aparato o el paquete de baterías (conforme sea aplicable), excepto como se indica en las instrucciones de uso y cuidado.

## ADVERTENCIAS DE SEGURIDAD PARA LA SIERRA DE PÉRTIGA

ADVERTENCIA – No opere cerca de líneas eléctricas. La unidad no ha sido diseñada para proporcionar protección contra descarga eléctrica en el caso de contacto con líneas eléctricas elevadas, consulte las regulaciones locales respecto a las distancias seguras desde líneas eléctricas elevadas y asegúrese que la posición de operación sea segura antes de operar la podadora de poste de cadena eléctrica.

- a) Mantenga todas las partes del cuerpo lejos de la cadena de sierra. Asegúrese que el interruptor esté apagado cuando retire material atorado. La cadena de sierra continúa moviéndose después de que se apaga el interruptor. Un momento de falta de atención mientras opera la podadora de poste puede resultar en lesiones personales serias.
- b) Transporte la podadora de poste por la manija con la cadena de sierra detenida. Cuando transporte

o almacene la podadora de poste, siempre coloque la cubierta del dispositivo de cadena de sierra. El manejo adecuado de la podadora de poste reducirá las posibles lesiones personales a partir de la cadena de sierra.

c) Sostenga la podadora de poste por las superficies de agarre aisladas únicamente, debido a que la cadena de sierra puede hacer contacto con cableado oculto o su propio cable. Una cadena de sierra que haga contacto con un cable “vivo” puede hacer que las partes de metal expuestas de la podadora de poste se “energicen” y podría dar al operador una descarga eléctrica.

d) Mantenga el cable alejado del área de corte. Durante la operación, el cable puede quedar oculto en los arbustos y la cadena de sierra lo puede cortar accidentalmente.

e) No use la podadora de poste en condiciones de mal clima, en especial cuando exista riesgo de tormentas eléctricas. Esto disminuye el riesgo de ser alcanzado por un rayo.

f) Para reducir el riesgo de electrocución, nunca use cerca de ninguna línea eléctrica. El contacto con o uso cerca de líneas eléctricas puede causar lesiones serias o descarga eléctrica que resulte en la muerte.

g) Siempre use las dos manos cuando opere la podadora de poste. Sostenga la podadora de poste con ambas manos para evitar perder el control.

h) Siempre use protección para la cabeza cuando opere la podadora de poste por encima de usted. Los desechos que caigan pueden resultar en lesiones personales serias.

## ADVERTENCIAS DE SEGURIDAD GENERAL PARA EL PAQUETE DE BATERÍA

- a) No desensamble, abra o triture el paquete de batería.
- b) No exponga el paquete de batería a calor o fuego. Evite guardar a la luz directa del sol.
- c) No ponga en corto circuito el paquete de batería. No guarde el paquete de batería de forma aleatoria en una caja o cajón donde puedan ponerse en corto circuito entre sí o ponerse en corto circuito por otros objetos metálicos. Cuando el paquete de batería no esté en uso, manténgalo alejado de otros objetos metálicos, como sujetadores de papel, monedas, llaves, clavos, tornillos u otros objetos metálicos pequeños que puedan establecer una conexión de una terminal a otra. El corto circuito de las terminales de la batería puede causar quemaduras o incendios.
- d) No someta el paquete de batería a impacto mecánico.
- e) En el caso de fuga de la batería, no permita que el líquido entre en contacto con la piel o los ojos. Si hay contacto, lave el área afectada con bastante agua y busque atención médica.
- f) No use ningún paquete de batería que no esté






diseñado para uso con el equipo.

- g) Mantenga el paquete de batería fuera del alcance de los niños.
- h) Siempre adquiera el paquete de batería recomendado por el fabricante del dispositivo para el equipo.
- i) Mantenga el paquete de batería limpio y seco.
- j) Limpie las terminales del paquete de batería con una tela seca limpia su se ensucian.
- k) El paquete de batería se necesita cargar antes del uso. Siempre use el cargador correcto y consulte las instrucciones del fabricante o el manual del equipo para saber las instrucciones correctas de carga.
- l) No deje el paquete de batería en carga prolongada cuando no esté en uso.
- m) Después de periodos prolongados de almacenamiento, puede ser necesario cargar y descargar el paquete de batería varias veces para obtener el desempeño máximo.
- n) Recargue únicamente con el cargador especificado por Kress. No use cargadores que no sean los específicamente suministrados para uso con el equipo.
- o) Conserve la literatura el producto original para referencia futura.
- p) Sólo use el paquete de batería en la aplicación para la que está diseñado.
- q) Retire el paquete de batería del equipo cuando no esté en uso.
- r) Deséchelo adecuadamente.
- s) No mezcle celdas de diferente fabricación, capacidad, tamaño o tipo dentro del dispositivo.
- t) Mantenga la batería lejos de microondas y no la someta a altas presiones.

**CONSERVE ESTAS INSTRUCCIONES**

**SÍMBOLOS**

	Para reducir el riesgo de lesiones, el usuario deberá leer el manual de instrucciones
	ADVERTENCIA
	Use protección auditiva
	Use lentes de seguridad
	Use máscara contra el polvo


	Usar protección para la cabeza
	Use siempre unos guantes de protección
	Zapatos de seguridad
	Advertencia de peligro por líneas de alimentación eléctrica elevadas
	Batería de iones de litio. Recolección por separado. La batería deberá reciclarse.
	No arrojar al fuego
	Las baterías pueden entrar al ciclo de agua si se desechan incorrectamente, lo que puede ser peligroso para el ecosistema. No deseché las baterías de desperdicio como desperdicio municipal sin clasificar.
	Desbloqueo
	Bloqueo




**call2recycle®**

POSITEC Inc. ha establecido una asociación con la empresa RBRC para el reciclaje de todas las baterías Positec que posean el sello RBRC-call2recycle. Para contribuir con la protección del medio ambiente, no deseché las baterías como residuos normales. Después de que haya finalizado el ciclo de vida útil de la batería, comuníquese al 1-800-822-8837 para acceder al servicio gratuito.

# ENSAMBLE & FUNCIONAMIENTO

 **NOTA:** Antes de usar la herramienta, lea atentamente el manual de instrucciones.

## ENSAMBLE

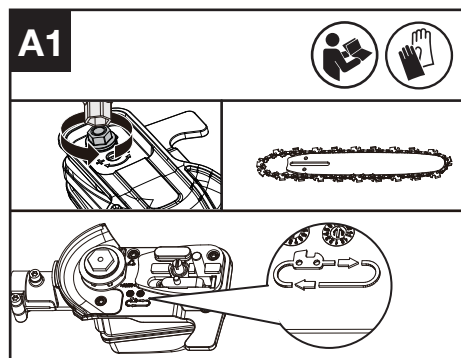
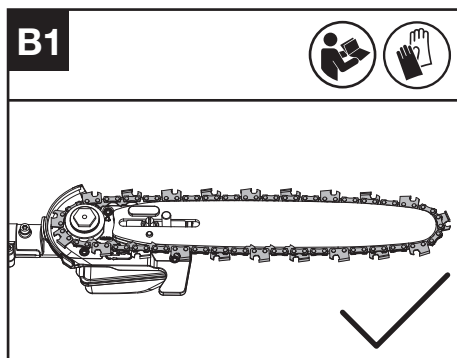
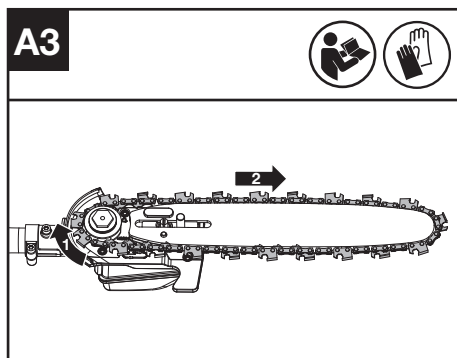
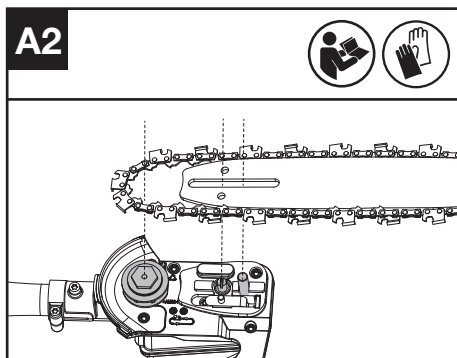
 ¡Advertencia! No instale el paquete de la batería antes que se haya ensamblado por completo. Al manipular la cadena, utilice guantes de protección.

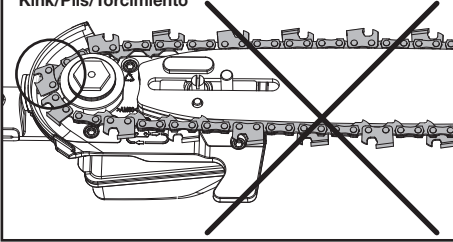
### CONJUNTO DE CADENA Y BARRA GUÍA

1. Afloje la tuerca hexagonal para quitar la cubierta del mecanismo de impulsión. Deslice la cadena en la ranura alrededor de la barra guía. Asegúrese de que la cadena esté en la dirección correcta de funcionamiento. (Consulte la Figura A1)
2. Ajuste la cadena sobre el piñón de impulsión, de modo que el perno de localización de la barra en la almohadilla de la barra encaje en la ranura de la abertura en la barra guía. (Consulte la Figura A2, A3)
3. Asegúrese de que todas las piezas estén colocadas correctamente. Asegúrese de que los eslabones de transmisión estén completamente asentados en el piñón de impulsión (Consulte la Figura B1), evitando un doblez como se muestra en la Figura B2. Si ocurre un doblez, levante la cadena en la barra guía justo antes del doblez y luego hale para deshacer el doblez.

**NOTA:** La cadena debe girar libremente, pero se requiere un cierto nivel de fuerza para hacerla girar.

4. Coloque la cubierta del mecanismo de impulsión y apriete la tuerca hexagonal.



**B2****Kink/Plis/Torcimiento**

**⚠ ADVERTENCIA!** La cadena no se encuentra tensada aún. El proceso de tensado de la cadena se describe en la sección "Tensar la cadena". Se deberá inspeccionar la cadena para asegurarse de que esté tensionada de forma correcta.

### TENSIÓN DE LA CADENA SERRADA (CONSULTE LA FIGURA C, D)

**NOTA:** Las cadenas de sierra nuevas se ajustarán a la barra cuando se utilicen por primera vez. Verifique frecuentemente la tensión de la cadena al principio y ajústela cuando la cadena se vuelva floja alrededor de la barra guía.

- Retire el paquete de batería antes de ajustar la tensión de la cadena de la sierra.
- Las aristas de corte en la cadena están afiladas. Utilice guantes protectores al manipular la cadena.
- Mantenga siempre la tensión adecuada de la cadena. Una cadena floja puede salirse de la ranura de la barra guía, lo que podría causar lesiones al operador y dañar la cadena. Una cadena floja provocará un desgaste rápido de la cadena, la barra y el piñón.

1. Coloque la sierra de pértiga en cualquier superficie plana adecuada y afloje la tuerca hexagonal.
2. Gire el tornillo de ajuste de la tensión de la cadena en el sentido de las agujas del reloj hasta que esté ajustado. (Consulte la Figura C)

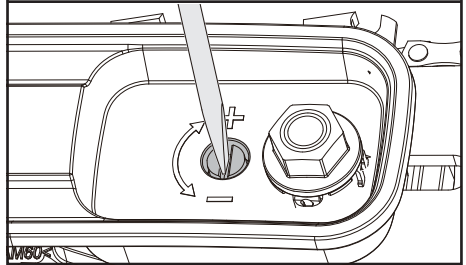
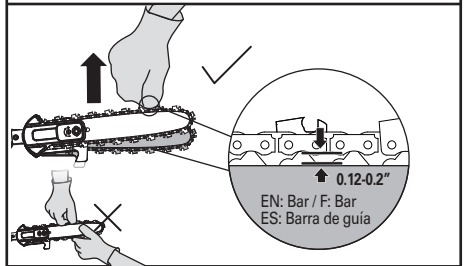
**NOTA:** La tensión aumenta automáticamente mientras se gira el tornillo de ajuste de la tensión de la cadena en sentido de las agujas del reloj. Luego, apriete firmemente la tuerca hexagonal.

3. Verifique la tensión establecida por el tornillo de ajuste de la tensión de la cadena. La tensión correcta de la cadena se alcanza cuando la cadena puede elevarse aproximadamente a la mitad de la profundidad del eslabón de transmisión desde la barra guía en el centro. Esto se debe hacer utilizando guantes para levantar la cadena contra el peso de la máquina. (Consulte la Figura D) Luego, apriete completamente la tuerca hexagonal.

**NOTA:** La cadena está correctamente tensada

cuando se puede levantar de la barra guía y el eslabón de transmisión está dentro de la guía de la barra.

**NOTA:** La cadena se aflojará durante el corte y perderá la tensión adecuada. Cuando la cadena esté floja, afloje la tuerca hexagonal, vuelva a ajustar el tornillo de ajuste de la tensión de la cadena y luego vuelva a apretar la tuerca hexagonal para restablecer adecuadamente la tensión de la cadena siguiendo los pasos 1 a 3 mencionados anteriormente.

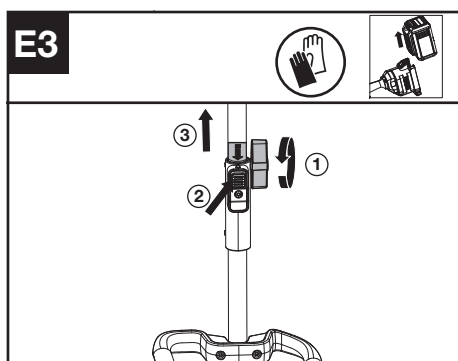
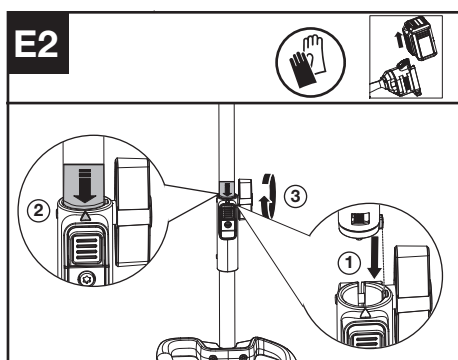
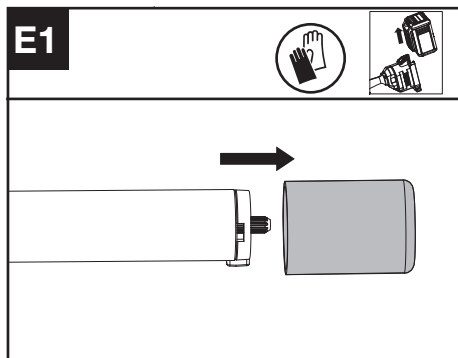
**C****D**

### Montaje y desmontaje del accesorio del Cabezal motorizado (Consulte la Figura. E1, E2, E3)

1. Retire la tapa protectora del extremo del eje del accesorio.
2. Para ensamblar, alinee el ícono triangular en el botón con la etiqueta de flecha en el eje del accesorio.
3. Empuje los ejes hasta que escuche un "clic". El borde de la etiqueta de la flecha debe estar cerca de la carcasa de conexión del eje. (Nota: Si el cabezal de trabajo de la sierra de poste no puede instalarse completamente en el cabezal motorizado, gire un poco el cabezal de trabajo de la sierra de poste hasta que sea posible insertar el eje completamente)

ES

4. Termine el montaje apretando la perilla en el sentido de las agujas del reloj.
5. Para desmontar, afloje la perilla, gírela en el sentido contrario a las agujas del reloj, luego presione el botón de liberación y separe los ejes. Vuelva a colocar la tapa protectora en el eje del accesorio para garantizar que no entre polvo ni residuos en el eje.



## LUBRICACIÓN (CONSULTE LA FIGURA F)

**!** **Importante:** La sierra de pértiga no se suministra con aceite de barra y cadena. Es esencial llenar con aceite de barra y cadena antes de su uso. Nunca opere la sierra de pértiga sin aceite de barra y cadena ni permita que el tanque quede vacío, ya que esto causará daños extensos al producto.

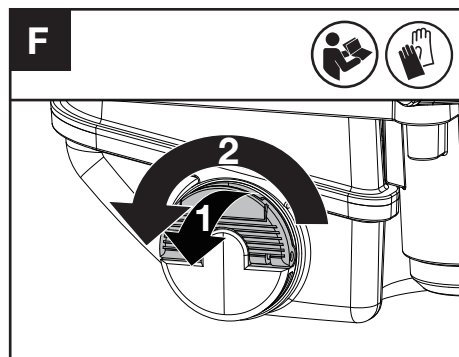
**NOTA:** La vida de la cadena y la capacidad de corte dependen de una lubricación óptima. Por lo tanto, la cadena se lubrica automáticamente durante el funcionamiento.

### LLENADO DEL DEPÓSITO DE ACEITE:

**!** **ADVERTENCIA:** Retire el paquete de batería antes de llenar el depósito de aceite.

1. Coloque la sierra de pértiga en una superficie adecuada con la tapa de llenado de aceite hacia arriba.
2. Limpie el área alrededor de la tapa de llenado de aceite con un paño y desenrosque la tapa girándola en sentido antihorario.
3. Agregue aceite de barra y cadena hasta que el tanque esté casi completamente lleno.
4. Evite que entre suciedad o escombros en el tanque de aceite, vuelva a colocar la tapa de llenado de aceite y ajústela girándola en sentido horario hasta que esté ajustada con la mano.

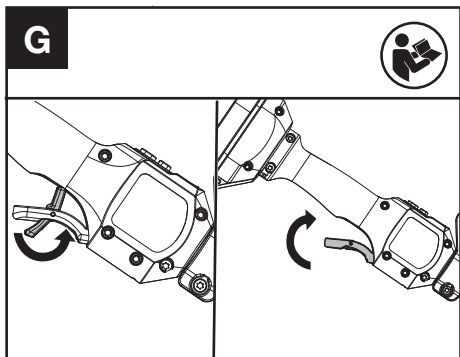
**!** Es importante utilizar lubricante para barra y cadena (no aceite para automóviles) formulado para funcionar en un amplio rango de temperaturas sin necesidad de dilución. Puede encontrar esto en el lugar donde compró esta sierra o en su ferretería local. No utilice aceites sucios, usados o contaminados de alguna otra manera. Esto puede causar daños a la barra o cadena. El uso de lubricante para barra y cadena no aprobado anulará la garantía. Mantenga el aceite de barra fuera del alcance de los niños. Si se ingiere, llame a un médico inmediatamente. Almacene lejos del calor o de llamas abiertas.





# FUNCIONAMIENTO

## Iniciando la sierra de poste



1. Empuje primero la palanca de bloqueo de seguridad hacia adelante, luego apriete y mantenga presionado el gatillo del acelerador para arrancar la máquina.

**NOTA:** Encontrará más detalles en el manual del cabezal motorizado.

## CORTE

**⚠ IMPORTANTE:** Verifique periódicamente el depósito de aceite. Verifique la tensión de la cadena recién reemplazada cada vez que cambie el paquete de baterías.

- (1) Instalación del paquete de baterías en la máquina.
- (2) No permita que la cadena entre en contacto con el suelo mientras funcione, ya que esto embotará la cadena.
- (3) Utilice ambas manos para sujetar la sierra.
- (4) Asegúrese de tener un buen apoyo. Mantenga los pies separados a la anchura de los hombros. Distribuya su peso uniformemente en ambos pies.
- (5) Cuando esté listo para hacer un corte, siga los procedimientos de arranque y selección de velocidad mencionados anteriormente. Esto encenderá la sierra. Al soltar el gatillo, la sierra se apagará. Asegúrese de que la sierra esté funcionando a toda velocidad antes de comenzar un corte.
- (6) Al comenzar un corte, coloque lentamente la cadena en movimiento contra la madera. La madera debe estar lo más cerca posible de la cabeza de corte. Sujete firmemente la sierra en su lugar para evitar posibles rebotes o deslizamientos (movimiento lateral) de la sierra.
- (7) Guíe la sierra con una presión ligera y no aplique fuerza excesiva, permitiendo que la sierra haga su trabajo. El motor se sobrecargará y puede quemarse. Realizará el trabajo de manera más eficiente y segura a la velocidad para la que fue diseñado.
- (8) Retire la sierra de un corte con la sierra funcionando a toda velocidad. Detenga la sierra.

Asegúrese de que la cadena se haya detenido antes de colocar la sierra.

- (9) Practique en troncos de desecho en un área de trabajo segura hasta que se sienta cómodo, utilizando un movimiento fluido y una velocidad de corte constante.

## DISPOSITIVOS DE SEGURIDAD DE ESTA SIERRA CONTRA CONTRAGOLPES

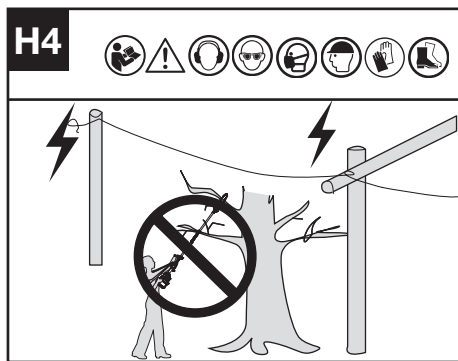
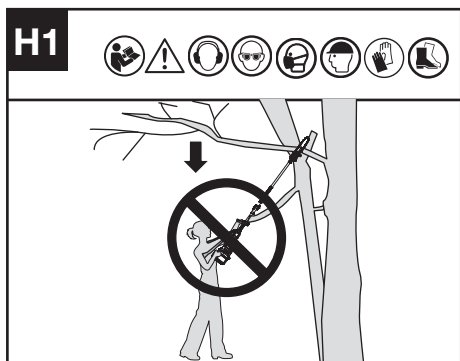
Esta sierra tiene una cadena de bajo retroceso y una barra guía de retroceso reducido. Ambos elementos reducen la posibilidad de retroceso. Sin embargo, el retroceso aún puede ocurrir con esta sierra de pértiga.

Los siguientes pasos reducirán el riesgo de retroceso:

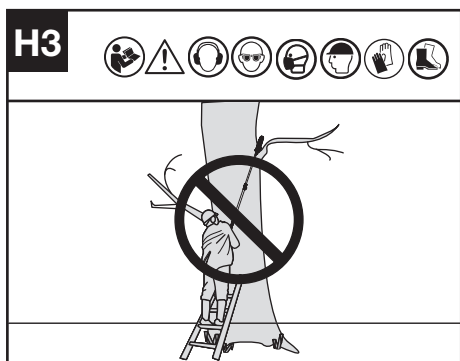
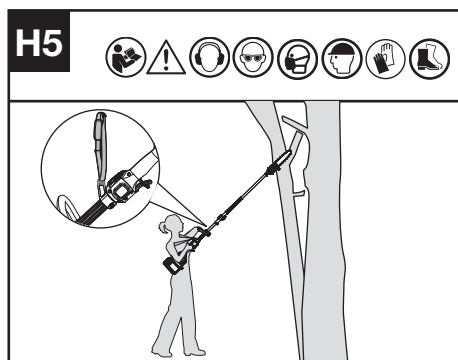
- Use ambas manos para sostener la sierra mientras está en funcionamiento. Mantenga un agarre firme.
- Mantenga todas las medidas de seguridad en su lugar en la sierra. Asegúrese de que funcionen correctamente.
- Mantenga un apoyo sólido y equilibrio en todo momento.
- Párese ligeramente en el lado izquierdo de la sierra. Esto evita que su cuerpo esté en línea directa con la cadena.
- No permita que la punta de la barra guía toque nada cuando la cadena esté en movimiento.
- No entierre la punta de la barra guía ni intente realizar cortes en plunge (penetración en la madera utilizando la punta de la barra guía).
- Esté atento a los cambios en la madera u otras fuerzas que puedan pellizcar la cadena.
- Extreme la precaución al volver a ingresar a un corte previo.
- Utilice solo la cadena de bajo retroceso y la barra guía recomendadas que se suministraron con esta sierra de pértiga.
- Nunca use una cadena desafilada o floja. Mantenga la cadena afilada con la tensión adecuada.

## CORTE DE RAMAS ALTAS

1. Instale el paquete de baterías en la máquina.
2. Antes de cortar una rama alta, preste especial atención a la trayectoria probable de la rama que cae. **ADVERTENCIA:** No se coloque directamente debajo de una rama que esté siendo cortada. Mantenga a los espectadores alejados. No se pare en una escalera u otro tipo de soporte inestable mientras utiliza la herramienta. No utilice la herramienta cerca de cables, líneas eléctricas o telefónicas. Manténgase a 10 pies (3 m) de todas las líneas eléctricas. (Consulte las Figura H1-H4)



3. Utilice ambas manos para sujetar la sierra de poste y cortar ramas.



#### PODA DE UN ÁRBOL

**ADVERTENCIA:** Evite los contragolpes. Éstos pueden provocar lesiones graves y aun la muerte. Para evitar el riesgo de contragolpes, lea la sección Contragolpes.

**ADVERTENCIA:** No opere la Sierra de Pértiga mientras esté

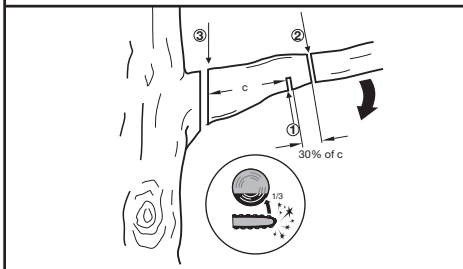
- arriba de un árbol;
- sobre una escalera o cualquier otra superficie inestable;
- en cualquier posición incómoda.

Usted puede perder el control de la Sierra de Pértiga ocasionando una lesión grave.

**PRECAUCIÓN:** Si las condiciones del trabajo exceden sus capacidades, busque asistencia profesional.

Podar un árbol es el proceso de cortar ramas de un árbol con vida. Asegúrese de contar con una pisada firme. Mantenga los pies separados y distribuya su peso sobre ambos pies en forma equilibrada. Para podar un árbol, siga estos pasos:

1. Realice el primer corte a unas pocas pulgadas (c) del tronco del árbol en la parte inferior de la rama. Use la parte superior de la barra guía para hacer este corte. Corte aproximadamente 1/3 del diámetro de la rama. (Consulte las Figuras. H6).

**H6**

- Muévase unas pocas pulgadas (30 % de c) más arriba en la rama. Haga el segundo corte desde arriba de la rama. Continúe cortando hasta que haya cortado completamente la rama.
- Haga el tercer corte lo más cerca posible del tronco del árbol, cortando completamente el tocón restante. Utilice la parte inferior de la barra de guía para realizar este corte.

### PARA HERRAMIENTAS DE BATERÍA

El rango de temperatura ambiente para uso y almacenamiento de la herramienta y la batería es de -4 °F-113 °F (-20°C-45°C).

El rango de temperatura ambiente recomendado para el sistema de carga durante la carga es de 23 °F-113 °F (-5 °C-45 °C).

## TRANSPORTE

### Transporte de la sierra de pértiga

- Apague la sierra de pértiga y retire la batería.
- Al transportar la sierra de pértiga a mano, sostenga el poste de la sierra de pértiga asegurándose de que la máquina esté paralela al suelo y la barra esté orientada hacia atrás.
- Al transportar la sierra de pértiga en un vehículo, asegúrela y posicione la para evitar movimientos o daños.

## MANTENIMIENTO DE LA SIERRA

Siga las instrucciones de mantenimiento en este manual. Una limpieza y mantenimiento adecuados de la sierra, la cadena y la barra guía pueden reducir las posibilidades de desgaste. Después de cada uso, inspeccione su sierra y realice las tareas de mantenimiento necesarias. Esto prolongará la vida útil de la sierra. Una vez mojado bajo la lluvia durante el funcionamiento, la máquina y la batería deben secarse antes de almacenarla o cargarla.

## MANTENIMIENTO Y ALMACENAMIENTO DE LA SIERRA DE PÉRTIGA

- Retire el paquete de baterías**
  - Cuando no esté en uso
  - Antes de moverlo de un lugar a otro
  - Antes de realizar mantenimiento
  - Antes de cambiar accesorios o aditamentos, como la cadena y la barra de la sierra
- Inspeccione la sierra de pértiga antes y después de cada uso.** Revise detenidamente si la cubierta u otra parte ha sufrido daños. Verifique cualquier daño que pueda afectar la seguridad del operador o el funcionamiento de la sierra. Compruebe la alineación o el atascamiento de las piezas móviles. Revise si hay piezas rotas o dañadas. No use la sierra de pértiga si el daño afecta la seguridad o el funcionamiento. Haga reparar el daño en un centro de servicio autorizado.
- Dé mantenimiento a la sierra de cadena con cuidado.**
  - Mantenga la cadena afilada, limpia y lubricada para mayor rendimiento y seguridad.
  - Para afilar la cadena, siga los pasos delineados en este manual.
  - Mantenga los mangos siempre secos, limpios y sin aceite o grasa.
  - Mantenga ajustadas todas las tuercas y tornillos.
- El realizar tareas de servicio, utilice solo piezas de repuesto idénticas.**
- Cuando no utilice la sierra, guárdela**
  - en un sitio alto o bajo llave, fuera del alcance de los niños;
  - en un lugar seco;
  - con la funda protectora en posición

### MANTENIMIENTO DE LA BARRA

A fin de maximizar la vida útil de la barra, se recomienda efectuar el siguiente mantenimiento de la barra.

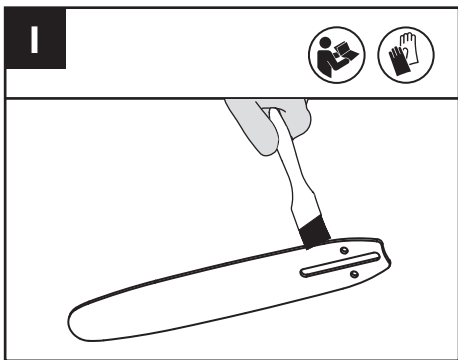
Se deberán limpiar los rieles de la barra que transportan la cadena antes de almacenar la herramienta o si la barra o cadena parecen estar sucias.

Es posible que sea necesario eliminar las rebabas ocasionalmente de los rieles de la barra con una lima plana.

### LIMPIEZA DE LOS RIELES DE LA BARRA

- Retire la cubierta de la cadena y la barra y la cadena. (ver sección ENSAMBLAJE)
- Con un cepillo de alambre, destornillador u herramienta similar, limpie los residuos del surco interior de la barra. (Consulte la Figura I)
- Asegúrese de limpiar completamente los pasajes de aceite.

ES



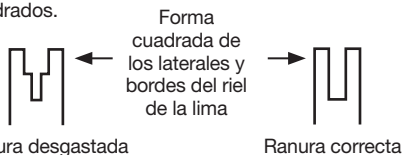
## CONDICIONES QUE REQUIEREN MANTENIMIENTO DE LA CADENA Y BARRA GUÍA:

- La sierra corta hacia un lado o en un ángulo.
- Se debe forzar la sierra para realizar el corte y atravesar.
- Suministro de aceite inadecuado a la barra y cadena.

Revise el estado de la barra guía cada vez que afile la cadena. Una barra guía desgastada dañará la cadena y dificultará el corte.

Después de cada uso, retire el paquete de batería, limpie todo el aserrín de la Barra guía y el orificio de la rueda dentada.

Cuando el riel superior se encuentra desparejo, utilice una lima plana para devolverle los bordes y laterales cuadrados.



Reemplace la barra de guía cuando la ranura esté desgastada, la barra de guía esté doblada o agrietada, o cuando ocurra un calentamiento o quemadura de los rieles. Si es necesario reemplazarla, utilice solo la barra guía especificada para su sierra según la lista de piezas de repuesto o en la pegatina ubicada en la sierra de pértiga.

## RECAMBIO DE LA CADENA SERRADA/ SIERRA BAR

Reemplace la cadena cuando los elementos de corte se encuentren demasiado gastados para ser afilados o cuando se rompa la cadena. Utilice únicamente la cadena de repuesto indicada en este manual.

Si esto ocurre, reemplace la barra de guía. Inspeccione la barra de guía antes de afilar la cadena. Una barra de guía desgastada o dañada es insegura y daña la cadena. También dificulta la realización de cortes.

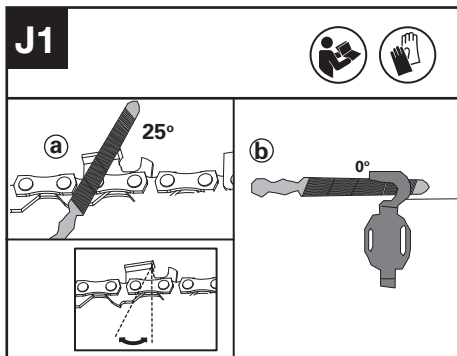
## AFILADO DE LA CADENA

**ADVERTENCIA:** Retire el paquete de batería antes de dar servicio. Un shock eléctrico o el contacto de su cuerpo con la cadena en movimiento puede provocar lesiones graves y aun la muerte.

Los bordes de corte de la cadena son afilados. Utilice guantes de protección al manipular la cadena.

Mantenga la cadena afilada. La sierra cortará de manera más rápida y segura. El uso de una cadena desafilada provocará el desgaste innecesario de la rueda dentada, la barra de guía y el motor. Si resulta necesario aplicar fuerza para introducir la cadena en la madera, y si al cortar sólo obtiene viruta y algunos trozos grandes, la cadena está desafilada.

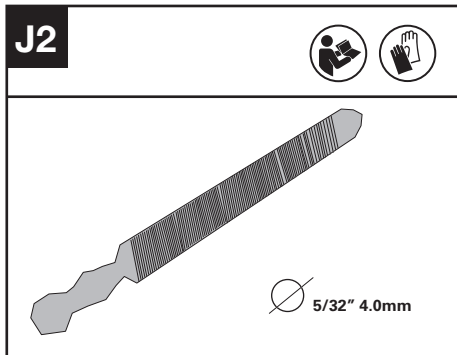
Antes de afilar, preste atención a los siguientes pasos: (Consulte las Figura J1)



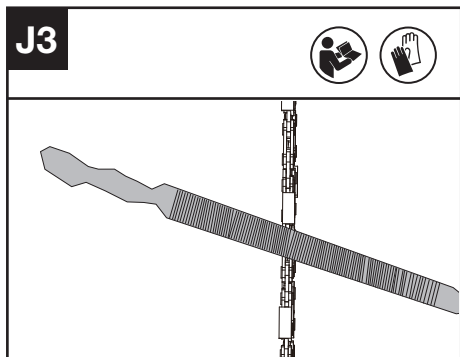
a: Ángulo de limado; b: posición de la lima;

## Cómo afilar las cuchillas

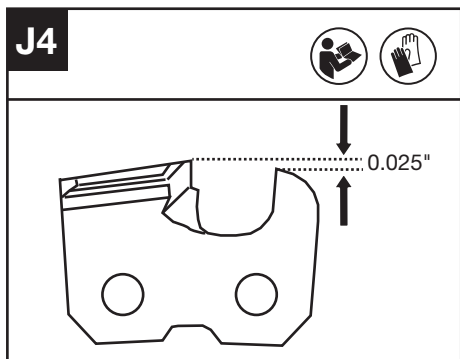
1. Prepare una lima redonda para afilar las cuchillas. (Consulte las Figura J2) **NOTA:** Sujete firmemente la barra guía en un tornillo de banco antes de afilar la cadena. Asegúrese de que la cadena no esté "pellizcada" y pueda moverse libremente en la barra guía. Compruebe que la cadena esté bien tensada. (Véase la sección "Tensar la cadena")



- Afile las cuchillas con una lima desde el lado interno de los dientes de corte hacia el exterior de la cadena. (Consulte las Figura J3)



- Despeje todos los materiales de un lado de todos los dientes de corte,
- Gire la cadena y despeje los materiales del otro lado de los dientes de corte.
- Asegúrese de que la longitud de todos los dientes de corte es la misma. Para afilar la cuchilla, por favor, asegure el diente de corte y el medidor de profundidad como a continuación. Utilice el medidor de profundidad para afilar la cadena y mantenga la distancia en altura entre la parte superior del medidor de profundidad y el borde delantero de la placa superior como 0.025" (0.65 mm). (Consulte las Figura J4)



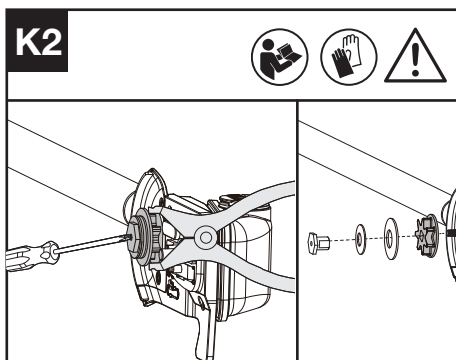
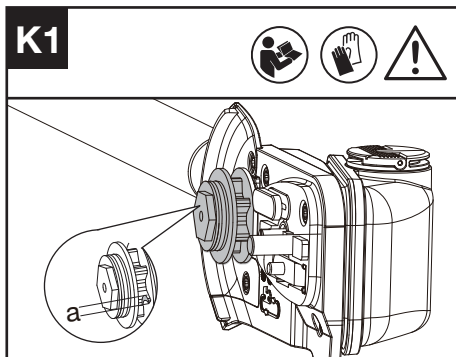
## INSPECCIÓN Y MANTENIMIENTO DEL PIÑÓN DE LA CADENA

**⚠ ADVERTENCIA:** Antes de realizar la revisión, es obligatorio apagar la sierra de pértiga y quitar la batería.

- Retire la cubierta del piñón de transmisión, la cadena de sierra y la barra guía.
- Verifique si las marcas de desgaste son más profundas que  $a=0.020"$  (0.5 mm), como se

muestra en la Figura S1; si es así, entonces el piñón de la cadena debe ser reemplazado. (Consulte las Figura K1)

- Al reemplazar el piñón de la cadena, sujete el piñón con alicates y use un destornillador para aflojar la tuerca y reemplazarlo. (Consulte las Figura K2)



## LIMPIEZA

- Apague la sierra de pértiga y retire la batería.
- No utilice detergentes o disolventes fuertes. Limpie la máquina después de su uso con un paño humedecido con un detergente suave.
- Mantenga la conexión de la batería libre de suciedad y residuos, y límpiela con un cepillo o paño suave y seco.
- No rocíe agua sobre el motor y los componentes eléctricos.
- No use una lavadora a presión para limpiar su máquina.

## ALMACENAMIENTO

- Retire el paquete de baterías de la sierra de pértiga antes de almacenar.
- Guarde la sierra de pértiga y la batería en un lugar seco y seguro, inaccesible para niños y otras personas no autorizadas.

3. Si la sierra se moja bajo la lluvia durante el funcionamiento, la máquina y el paquete de baterías deben secarse antes de almacenar o cargar.

## TABLA DE RESOLUCIÓN DE PROBLEMAS

La siguiente tabla incluye comprobaciones y acciones que pueden realizarse si la máquina no funciona de forma correcta. Si estas indicaciones no identifican/resuelven el problema, póngase en contacto con su agente de servicio.



**¡ADVERTENCIA! APAGUE Y RETIRE EL PAQUETE DE BATERÍA ANTES DE INVESTIGAR LA FALLA.**

Síntoma	Causa posible	Solución
La sierra de cadena no funciona	Batería agotada	Cargue el paquete de batería.
La sierra de cadena funciona de forma intermitente	Sobrecalentamiento.	Coloque la máquina en un lugar fresco y ventilado, para permitir que se enfríe.
	Se aplica demasiada presión mientras corta.	Aplique menos presión mientras corta.
	Conexión floja	Póngase en contacto con un agente de servicio.
	Cableado interno defectuoso	
	Interruptor de encendido/apagado defectuoso	
ES Cadena seca	Sin aceite en el depósito de aceite"	Llene con aceite
	La abertura en la tapa de llenado de aceite está obstruida	Limpie la tapa
	Conducto de aceite atascado	Limpie la salida del conducto de aceite
Sobrecalentamiento de la cadena/barra de la cadena	Sin aceite en el depósito	Llene con aceite
	La abertura en la tapa de llenado de aceite está obstruida	Limpie la tapa
	Conducto de aceite atascado	Limpie la salida del conducto de aceite
	Exceso de tensión de la cadena	Ajuste la tensión de la cadena
	Cadena mellada	Afile la cadena o reemplácela
La sierra de cadena desgarrar, vibra o no corta de forma correcta	Tensión de cadena demasiado floja	Ajuste la tensión de la cadena
	Cadena mellada	Afile la cadena o reemplácela
	Cadena desgastada	Reemplace la cadena
	Los dientes de la cadena se encuentran en la dirección incorrecta	Coloque la cadena en la dirección correcta

## DATOS TÉCNICOS

	KAC361
Longitud de la barra	10" (25 cm)
Capacidad del depósito de aceite	5.4 oz. (160 ml)
Paso de la cadena	3/8" LP

Calibre de la cadena	.043 " (1.1 mm)
Grado de protección	IPX4
Peso de la máquina	3.9 lbs (1.8kg)

## COMBINACIONES DE ACCESORIOS DE CORTE

### Accesorio de corte

KAC333-10"/25cm 0.043"/1.1mm 3/8 LP barra

KAC302-10"/25cm 0.043"/1.1mm 3/8 LP cadena

Positec USA, Inc. Charlotte, NC 28216 USA

# TABLE DES MATIÈRES

Introduction.....	32
Liste des éléments.....	33
Sécurité du produit.....	34
Assemblage & Opération.....	37
Transport.....	42
Entretien de la scie.....	42
Nettoyage.....	45
Entreposage.....	45
Tableau de dépannage.....	45
Données Techniques.....	46

F

## INTRODUCTION

Cher client,

Merci d'avoir acheté ce produit Kress Commercial. Nous nous engageons à développer des produits de haute qualité pour répondre à vos besoins en matière d'aménagement paysager commercial.

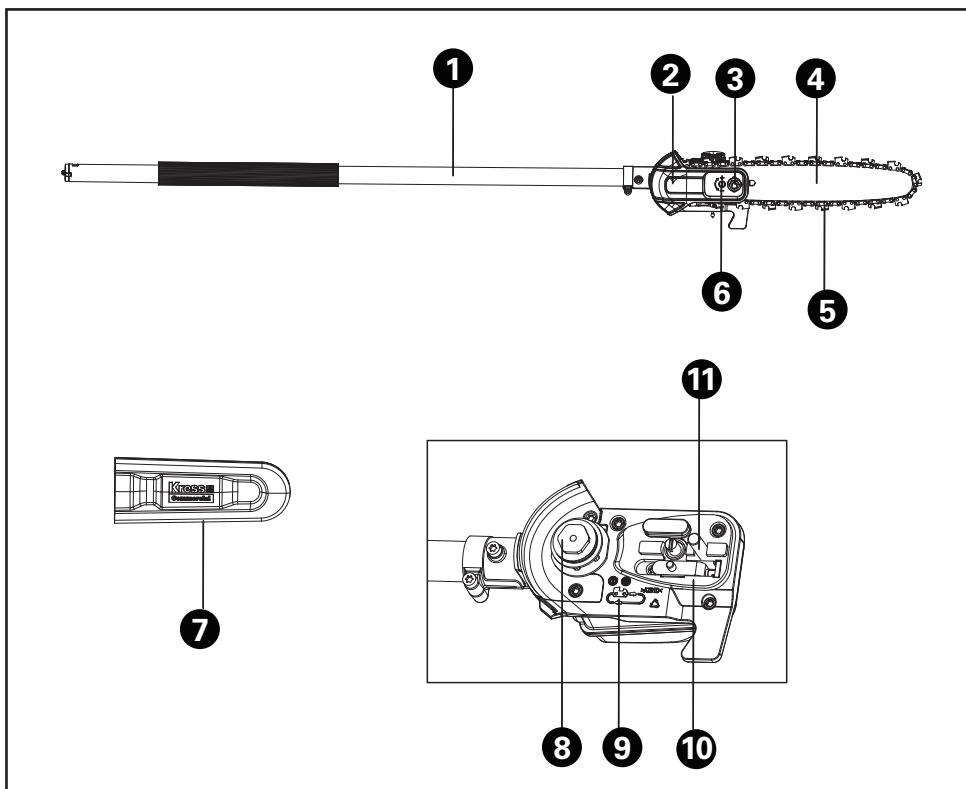
Kress est synonyme de service de qualité supérieure. Au cours des années de vie de votre produit, si vous avez des questions ou des préoccupations concernant votre produit, veuillez contacter votre distributeur ou notre équipe du service à la clientèle pour obtenir de l'aide.

Nous espérons que vous aimerez travailler avec votre produit Kress.

## UTILISATION PRÉVUE

En conjonction avec KAC104 - Tête motorisée, cette élagueuse à perche est conçue pour élaguer et tailler les branches qui sont hors de portée des bras. Toutes les coupes doivent être effectuées perpendiculairement au grain. Ce produit est conçu pour la coupe du bois seulement.





F

## LISTE DES ÉLÉMENTS

- |     |                                      |
|-----|--------------------------------------|
| 1.  | ARBRE                                |
| 2.  | COUVERCLE DE L'ENTRAÎNEMENT          |
| 3.  | ÉCROU HEXAGONAL                      |
| 4.  | GUIDECHAÎNE                          |
| 5.  | CHAÎNE                               |
| 6.  | VIS DE TENSION DE LA CHAÎNE          |
| 7.  | FOURREAU DE PROTECTION               |
| 8.  | PIGNON D'ENTRAÎNEMENT                |
| 9.  | SYMBOLE DE DIRECTION DE LA CHAÎNE    |
| 10. | COUSSIN DE BARRE                     |
| 11. | GOUJON DE POSITIONNEMENT DE LA BARRE |

# SÉCURITÉ DU PRODUIT



**AVERTISSEMENT!** Certaines des poussières produites en utilisant des outils électriques sont considérées par l'État de Californie comme susceptibles de provoquer le cancer, des anomalies congénitales et d'autres problèmes de reproduction. Voici des exemples de ces produits chimiques:

- plomb issu de peinture à base de plomb;
- silice cristalline issue de briques et du ciment et autres produits de maçonnerie;
- arsenic et chrome issus de bois traité chimiquement.

Votre risque de ces expositions varie en fonction de la fréquence à laquelle vous effectuez ce travail. Pour réduire votre exposition à ces produits chimiques : travaillez dans une zone bien ventilée; portez un équipement de sécurité approuvé, tel que des masques antipoussières spécialement conçus pour éliminer les particules microscopiques par filtrage.



**AVERTISSEMENT :** Ce dispositif peut vous exposer aux produits chimiques notamment le plomb et le di-phtalate (de 2-éthylhexyle) (DEHP) qui sont reconnus dans l'État de Californie comme causant des cancers et des anomalies congénitales ou d'autres anomalies de la reproduction. Pour en savoir plus, veuillez consulter le site [www.P65Warnings.ca.gov](http://www.P65Warnings.ca.gov).

## AVERTISSEMENTS GÉNÉRAUX CONCERNANT LA SÉCURITÉ DES OUTILS ÉLECTRIQUES



**AVERTISSEMENT!** Lisez et assimilez toutes les instructions. Le non-respect des instructions ci-après peut entraîner un risque de choc électrique, d'incendie et/ou de blessures grave

### POUR TOUTS LES APPAREILS:

- 1) Évitez les environnements dangereux. N'utilisez pas les appareils dans des environnements très humides ou mouillés.
- 2) N'utilisez pas sous la pluie.
- 3) Tenez les enfants éloignés. Tous les visiteurs devraient se tenir éloignés de l'aire de travail.
- 4) Habillez-vous convenablement. Ne portez pas des vêtements lâches ou des bijoux. Ils peuvent se prendre dans les pièces en mouvement. L'utilisation de gants de caoutchouc et chaussures épaisses est recommandée lors de travaux extérieurs. Portez une protection pour cheveux afin de contenir les cheveux longs.
- 5) Utilisez des lunettes de sécurité. Toujours porter un masque pour le visage ou pour la poussière si l'opération est poussiéreuse.

- 6) Utilisez le bon appareil. N'utilisez pas l'appareil pour tout autre travail que pour celui auquel il est destiné.
- 7) Ne forcez pas l'appareil. Il fera un meilleur travail et sera moins dangereux en travaillant à la charge pour laquelle il est conçu.
- 8) N'essayez pas d'utiliser l'appareil hors de votre portée normale. Gardez votre équilibre et les pieds bien ancrés au sol.
- 9) Restez alerte. Faites attention à ce que vous faites. Utilisez votre bon sens. N'utilisez pas l'appareil lorsque vous êtes fatigué.
- 10) Entrez les appareils dans l'intérieur des appareils qui ne sont pas utilisés fréquemment. Lorsqu'ils ne sont pas utilisés, les appareils devraient être entreposés à l'intérieur dans un endroit sec, élevé et gardé sous clef, hors de la portée des enfants.
- 11) Entretenez les appareils avec soin. Gardez les arêtes de coupe aiguisées et propres pour une meilleure performance et risque réduit de blessure. Suivez les instructions pour lubrifier et changer les accessoires. Inspectez le cordon d'alimentation électrique de l'appareil périodiquement, et si endommagé, faites le réparer par un dépôt de service autorisé. Inspectez les cordons prolongateurs périodiquement et remplacez si endommagés. Gardez les poignées sèches, propres, et libres d'huile et de graisse.
- 12) Vérifier les pièces endommagées. Avant d'employer l'appareil, une garde ou autre pièce endommagée devrait être soigneusement vérifiée afin de déterminer qu'elle fonctionnera correctement et exécutera la fonction pour laquelle elle a été conçue. Vérifier l'alignement des parties mobiles, leur pincement, la brisure de pièces, montage, et toute autre condition qui peut affecter son opération. Une garde ou autre pièce endommagée devrait être correctement réparée ou remplacée par un centre de service autorisé à moins d'avis contraire ailleurs dans ce manuel.

### POUR TOUTS LES ÉQUIPEMENTS D'ENTRETIEN EXTÉRIEUR À BATTERIE :

- 1) Pour éviter le démarrage non intentionnel, s'assurer que le bouton de démarrage est en position d'arrêt avant de brancher l'appareil au chargeur ou de le prendre ou de le transporter. Un accident pourrait arriver si vous vous promenez avec l'appareil avec le doigt sur l'interrupteur ou sur le dispositif de charge dont l'interrupteur est en position de charge.
- 2) Débranchez le bloc de batterie de l'appareil avant de faire des réglages, de remplacer des accessoires ou de ranger l'appareil. De telles mesures de sécurité réduisent les risques de démarrer l'appareil accidentellement.
- 3) Rechargez le bloc batterie uniquement avec le chargeur spécifié par Worx. Un chargeur adapté à un type de batterie peut entraîner un risque d'incendie lorsqu'il est utilisé avec une autre

batterie.

- 4). Utilisez les appareils uniquement avec les batteries spécifiquement indiquées. L'utilisation de toute autre batterie pourrait créer un risque de lésions et d'incendie.
- 5). Lorsque la batterie n'est pas utilisée, tenez la à l'écart d'autres objets métalliques, tels que les trombones, les pièces de monnaie, les clefs, les clous, les vis ou d'autres petits objets métalliques, qui peuvent établir la connexion d'une borne à l'autre. Court-circuiter les bornes de la batterie peut provoquer des brûlures ou un incendie.
- 6). Dans des conditions d'utilisation abusive, du liquide pourrait s'éjecter de la batterie; évitez tout contact. Si vous entrez accidentellement en contact avec le liquide, passez la partie du corps touchée sous le robinet. Si vos yeux entrent en contact avec le liquide, vous devez consulter immédiatement un médecin. Le liquide expulsé de la batterie peut causer des irritations ou des brûlures.
- 7). Ne pas utiliser une batterie ou un appareil qui est endommagé ou modifié. Les batteries endommagées ou modifiées peuvent présenter des comportements imprévisibles entraînant un incendie, une explosion ou le risque de blessures.
- 8). Ne pas exposer une batterie ou un appareil au feu ou à une température excessive. L'exposition au feu ou à une température au-dessus de 130 °C (265 °F) pourrait causer une explosion.
- 9). Respecter toutes les consignes de charge et ne pas charger la batterie ou l'appareil en dehors de la plage de température indiquée dans les consignes. Mal charger ou à des températures en dehors de la plage indiquée peut endommager la batterie et accroître le risque d'incendie.
- 10). Faites faire le service par un technicien de réparation compétent qui ne doit utiliser que des pièces de rechange identiques. Ceci maintiendra la sécurité du produit.
- 11). Ne pas modifier ou essayer de réparer l'appareil ou la batterie (selon le cas) sauf comme indiqué dans les consignes d'utilisation et d'entretien.

## AVERTISSEMENTS DE SÉCURITÉ POUR L'ÉLAGUEUSE À PERCHE

AVERTISSEMENT - Ne pas utiliser à proximité de lignes électriques. L'appareil n'a pas été conçu pour fournir une protection contre les chocs électriques en cas de contact avec des lignes électriques aériennes. Veuillez consulter les règlements locaux pour connaître les distances de sécurité à respecter par rapport aux lignes électriques aériennes et veiller à ce que la position de fonctionnement soit sûre et sécurisée avant d'utiliser la tronçonneuse élagueuse.

- a) Assurez-vous de maintenir toutes les parties du

corps loin de la chaîne de la scie. Veillez à ce que le commutateur soit en position éteinte lorsque vous enlevez des objets coincés. La chaîne de la scie continue à se déplacer après avoir été mise hors tension. Un simple moment d'inattention pendant l'utilisation de la tronçonneuse élagueuse peut entraîner des blessures graves.

- b) Portez la tronçonneuse élagueuse par la poignée avec la tronçonneuse arrêtée. Lors du transport ou du stockage la tronçonneuse élagueuse, Assurez-vous de toujours mettre le couvercle de la chaîne de scie sur l'appareil. Une manipulation correcte de la tronçonneuse élagueuse permettra de réduire les risques de blessures.

- c) Tenez la tronçonneuse élagueuse uniquement par les surfaces isolées. La chaîne de la tronçonneuse élagueuse pourrait entrer en contact avec des fils cachés ou avec son propre cordon d'alimentation. Une chaîne de scie en contact avec un fil « sous tension » peut engendrer que des parties métalliques exposées de la tronçonneuse élagueuse puissent elles aussi être « sous tension », et de ce fait représenter un risque de choc électrique.

- d) Maintenez le câble d'alimentation loin de la zone de coupe. En fonctionnement, le câble d'alimentation peut être caché dans les arbustes; et pourrait être accidentellement coupé par la tronçonneuse.

- e) Veillez à ne pas utiliser la tronçonneuse élagueuse dans de mauvaises conditions météorologiques, surtout lorsqu'il y a un risque de foudre. Cela diminue le risque de pouvoir être frappé par la foudre.

- f) Pour réduire les risques d'électrocution, veillez à ne jamais utiliser l'appareil à proximité de lignes électriques. Le contact avec, ou l'utilisation près de lignes électriques peut causer des blessures graves ou des chocs électrique pouvant entraîner la mort.

- g) Assurez-vous de toujours utiliser vos deux mains pour tenir et utiliser la tronçonneuse élagueuse. Le fait de tenir la tronçonneuse élagueuse avec vos deux mains permet de prévenir une éventuelle perte de contrôle.

- h) Veillez à toujours utiliser un casque de protection lorsque vous utilisez la tronçonneuse élagueuse au dessus de votre de la tête. La chute des débris pourrait entraîner des blessures graves.

## CONSIGNES GÉNÉRALES DE SÉCURITÉ CONCERNANT LA BATTERIE


- a) **Ne pas démonter, ouvrir ou déchiqueter le bloc batterie.**
- b) **Ne pas exposer le bloc batterie à la chaleur ou au feu. Évitez de ranger la batterie dans un endroit exposé à la lumière directe du soleil.**
- c) **Ne pas court-circuiter une batterie. Ne stockez pas les blocs batterie en vrac dans une boîte ou un tiroir où ils peuvent se court-circuiter ou être court-circuités par d'autres**

**objets métalliques.** Lorsque le bloc batterie n'est pas utilisé, conservez-le loin d'autres objets métalliques, tels que des trombones, des pièces de monnaie, des clés, des clous, des vis ou d'autres objets métalliques de petite taille, qui pourraient établir une connexion d'un terminal à l'autre. Le fait de créer un court-circuit entre les bornes de la batterie peut causer des brûlures ou des incendies.

- d) **Ne pas soumettre la batterie à des chocs mécaniques.**
- e) **En cas de fuite de la batterie, ne pas laisser le liquide entrer en contact avec la peau ou les yeux. Si un contact a été effectué, laver la zone touchée avec beaucoup d'eau et consulter un médecin.**
- f) **Ne pas utiliser de batterie qui n'a pas été conçue pour être utilisée avec cet appareil.**
- g) **Maintenez la batterie hors de portée des enfants.**
- h) **Achetez toujours une batterie recommandée par le fabricant de l'appareil.**
- i) **Conservez le bloc batterie propre et sec.**
- j) **Essuyez les bornes de la batterie avec un chiffon propre et sec si elles deviennent sales.**
- k) **La batterie doit être chargée avant son utilisation. Utilisez toujours le chargeur adapté et reportez-vous aux instructions du fabricant ou au manuel de l'équipement pour suivre les instructions concernant la procédure de charge.**
- l) **Ne laissez pas le bloc batterie en charge prolongée lorsqu'il n'est pas utilisé.**
- m) **Après de longues périodes de stockage, il peut être nécessaire de charger et de décharger la batterie plusieurs fois pour obtenir des performances optimales.**
- n) **Rechargez le bloc batterie uniquement avec le chargeur spécifié par Kress. N'utilisez pas un chargeur autre que celui spécifiquement conçu pour être utilisé avec l'équipement.**
- o) **Conservez la documentation originale du produit pour référence ultérieure.**
- p) **Utilisez uniquement la batterie dans l'application pour laquelle elle a été prévue.**
- q) **Retirez la batterie de l'équipement lorsqu'il n'est pas utilisé.**
- r) **Éliminez la batterie de façon adéquate.**
- s) **Ne pas mélanger des cellules de fabricants, de capacités, de tailles ou de type différents dans un appareil.**
- t) **N'exposez pas la batterie à des micro-ondes et de la haute pression.**

CONSERVEZ CES INSTRUCTIONS

## SYMBOLES

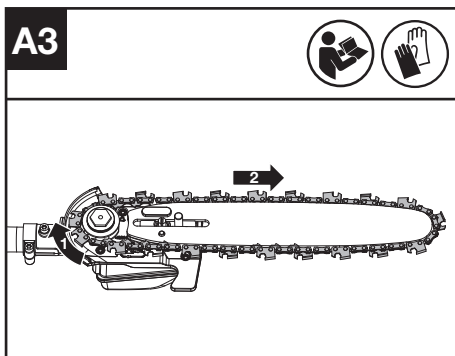
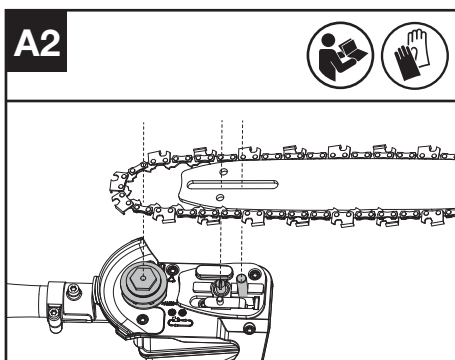
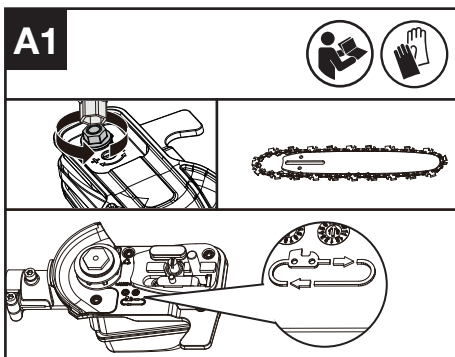
	Afin de réduire les risques de blessure, l'utilisateur doit lire ce mode d'emploi
--	---

	Avertissement
	Portez une protection auditive
	Portez un protecteur oculaire
	Portez un masque antipoussières
	Portez un casque de protection.
	Toujours porter des gants de protection
	Portez des chaussures de sécurité.
	Avertissement de danger relatif aux lignes électriques aériennes.
 Li-Ion	Batterie Li-ion. Les batteries doivent être recyclées en collecte sélective
	Ne pas jeter au feu
	Les batteries peuvent entrer dans le cycle de l'eau si elles sont éliminées de manière inappropriée, ce qui peut être dangereux pour l'écosystème. Ne jetez pas les batteries usées avec les déchets ménagers non triés.
	Débloquer
	Bloquer



call2recycle®

POSITEC Inc. a formé un partenariat avec RBRC Corporation pour le recyclage des batteries Positec portant le sceau RBRC-call2recycle. Pour la protection de l'environnement, veuillez à ne pas jeter les batteries aux poubelles. À la fin du cycle de vie de la batterie, appelez 1-800-822-8837 pour un service gratuit qui mettra la batterie au rebut selon les règles de l'art.



## ASSEMBLAGE & OPÉRATION

**REMARQUE:** Avant d'utiliser cet outil, assurez-vous de lire attentivement le manuel d'utilisation.

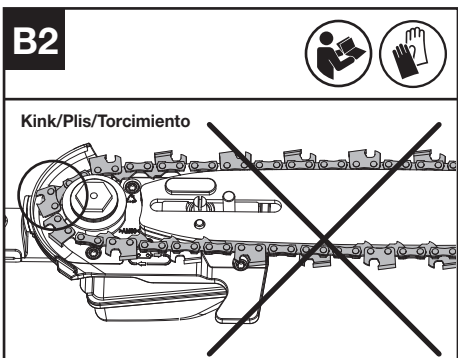
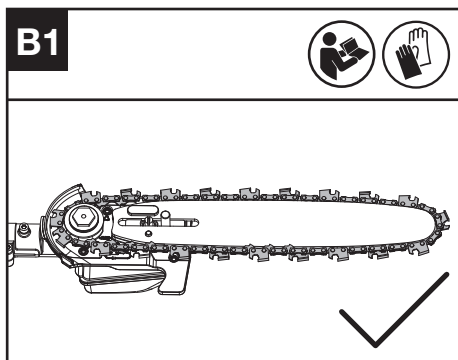
### ASSEMBLAGE

**AVERTISSEMENT!** N'installez pas la batterie avant qu'elle ne soit complètement assemblée. Porter des gants de protection pour manipuler la chaîne.

#### ASSEMBLAGE DE LA CHAÎNE ET DE LA BARRE DE GUIDAGE

1. Desserrez l'écrou hexagonal pour retirer le capot du système d'entraînement. Faites glisser la chaîne dans la fente autour du guide-chaîne. Assurez-vous que la chaîne est dans le bon sens de marche. (Voir Fig. A1)
2. Montez la chaîne sur le pignon d'entraînement, de sorte que le goujon de positionnement du guide sur le patin du guide s'insère dans la rainure de l'ouverture du guide. (Voir Fig. A2, A3)
3. Assurez-vous que toutes les pièces sont correctement installées. Assurez-vous que les maillons d'entraînement sont bien en place dans le pignon d'entraînement (voir Fig. B1), en évitant les plis comme illustré à la Fig. B2. En cas de plis, saisissez la chaîne de la tronçonneuse au niveau de la barre de guidage, juste devant le pli, puis défaites le pli.  
**REMARQUE :** La chaîne doit tourner librement, mais nécessite une certaine force pour la faire tourner
4. Montez le carter du système d'entraînement et serrez l'écrou hexagonal.

F



**⚠ MISE EN GARDE :** La chaîne n'est pas encore tensionnée. Le tensionnement de la chaîne doit être effectué tel qu'expliqué dans « Tensionnement de la chaîne ». Il faut, à ce point, vérifier que la chaîne est bien tendue.

### TENSION DE LA CHAÎNE (VOIR FIG. C, D)

**REMARQUE :** Les nouvelles chaînes de tronçonneuse s'adapteront à la barre lors de la première utilisation. Vérifiez la tension de la chaîne fréquemment lorsque vous utilisez la tronçonneuse pour la première fois et ajustez la tension lorsque la chaîne perd de sa tension autour de la barre de guidage.

- Retirez la batterie avant de régler la tension de la chaîne de tronçonneuse.
- Les bords coupants de la chaîne sont tranchants. Utilisez des gants de protection pour manipuler la chaîne.
- Maintenez toujours une tension correcte de la chaîne. Une chaîne détendue peut sauter hors de la rainure du guide-chaîne. Cela peut blesser l'utilisateur et endommager la chaîne. Une chaîne détendue s'use rapidement, de même que la barre de guidage et le pignon d'entraînement.

1. Placez l'élagueuse à perche sur n'importe quelle surface plane appropriée et desserrez l'écrou hexagonal.
2. Tournez la vis de tension de la chaîne dans le sens

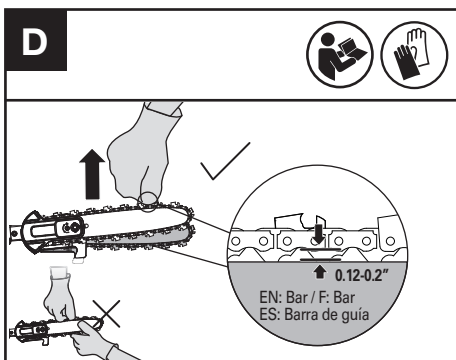
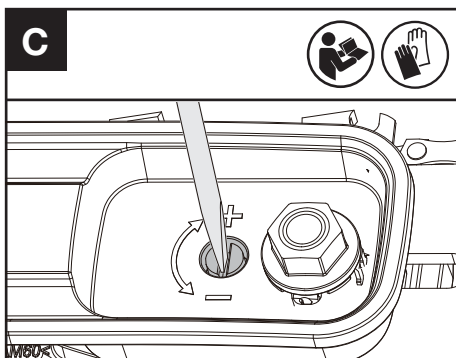
des aiguilles d'une montre jusqu'à ce qu'elle soit tendue. (Voir Figure. C)

**REMARQUE :** La tension augmente automatiquement lorsque la vis de tension de la chaîne est tournée dans le sens des aiguilles d'une montre. Serrez ensuite fermement l'écrou hexagonal.

3. Vérifiez par deux fois la tension réglée par la vis de tension. La tension adéquate de la chaîne est atteinte lorsque la chaîne peut être soulevée environ à la moitié de la profondeur de maillon de transmission du guide-chaîne au centre. Pour ce faire, utilisez une main pour soulever la chaîne contre le poids de la machine. (Voir Fig. D) Serrez ensuite complètement l'écrou hexagonal.

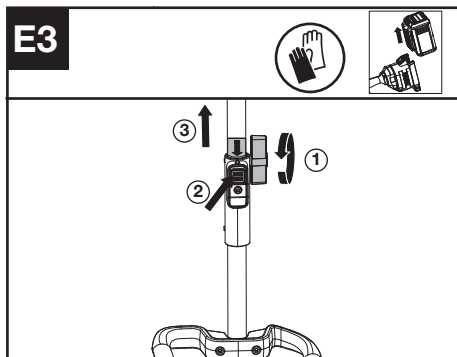
**REMARQUE :** La chaîne est d'une bonne tension lorsqu'elle peut être soulevée hors du guide-chaîne et que la transmission est à l'intérieur du rail du guide-chaîne.

**REMARQUE :** La chaîne se desserre lors de la coupe et perdra la tension adéquate. Lorsque la chaîne se détend, desserrez l'écrou hexagonal, resserrez la vis de tension de la chaîne puis resserrez l'écrou hexagonal pour retendre correctement la chaîne en suivant les étapes 1 à 3 énumérées précédemment.



## Montage et démontage de l'accessoire Tête motorisée (Voir Fig. E1, E2, E3)

1. Retirez le capuchon de protection à l'extrémité de l'arbre de fixation.
2. Pour le montage, alignez la flèche sur le bouton avec la flèche sur l'arbre de fixation.
3. Enfoncez les arbres l'un dans l'autre jusqu'à ce qu'ils s'enclenchent. Le bord de la flèche doit être proche du logement de raccordement de l'arbre. (Remarque : Si la tête de travail de la scie à perche ne peut pas être complètement installée dans la tête motorisée, tournez légèrement la tête de travail de la scie à perche jusqu'à ce qu'il soit possible de l'insérer complètement.)
4. Terminez le montage en vissant le bouton dans le sens horaire.
5. Pour le démontage, dévissez le bouton dans le sens antihoraire, puis appuyez sur le bouton de déverrouillage et séparez les arbres. Remplacez le capuchon de protection sur l'arbre de fixation pour éviter que de la poussière ou des débris ne pénètrent à l'intérieur.



## LUBRIFICATION (VOIR FIG. F)

**IMPORTANT :** Les barres et chaînes de l'élagueuse à perche ne sont pas huilées. Il est essentiel de remplir d'huile pour barres et chaînes avant l'utilisation. N'utilisez jamais l'élagueuse à perche sans huile pour barres et chaînes et ne laissez pas le réservoir se vider, car cela entraînerait des dommages importants du produit conformément.

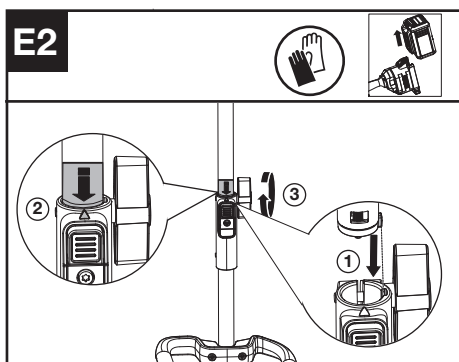
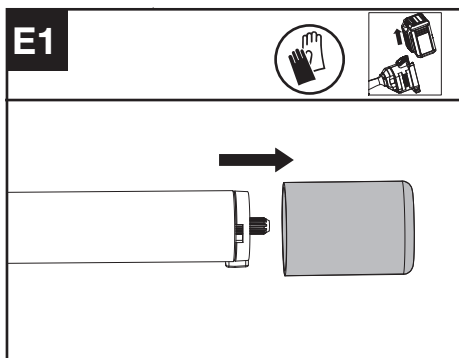
**REMARQUE :** La durée de vie de la chaîne et la capacité de coupe dépendent d'une lubrification optimale. C'est pourquoi la chaîne est automatiquement huilée pendant le fonctionnement.

### REMPLESSAGE DU RÉSERVOIR D'HUILE :

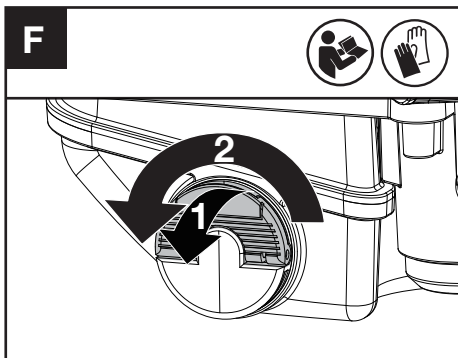
**AVERTISSEMENT :** Enlever la batterie avant de remplir le réservoir d'huile.

1. Posez l'élagueuse à perche sur une surface propice avec le bouchon de remplissage pour le réservoir d'huile face vers le haut.
2. Nettoyez la zone autour du bouchon de remplissage d'huile avec un linge puis dévissez le bouchon en le tournant dans le sens antihoraire.
3. Ajoutez de l'huile de barre et de chaîne jusqu'à ce que le réservoir soit plein.
4. Évitez que de la saleté ou des débris entrent dans le réservoir d'huile et remettez le bouchon de remplissage puis vissez-le en tournant dans le sens horaire à la main.

**IMPORTANT :** Il est important d'utiliser un lubrifiant pour barre et chaîne (non fourni) qui est formulé pour fonctionner sur une plage de températures large sans aucune dilution requise. Vous la trouverez à l'endroit où vous avez acheté cette scie ou dans votre quincaillerie locale. Ne pas utiliser d'huiles sales, usées ou autrement contaminées. Vous pouvez endommager le guide et la chaîne. L'utilisation d'huiles de barre et de chaîne non approuvées annulera la garantie.

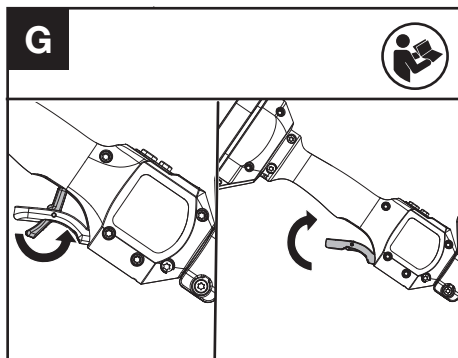


Rangez l'huile hors de la portée des enfants. En cas d'ingestion, consultez immédiatement un médecin. Entrez dans un endroit loin de la chaleur ou toute forme de flamme ouverte.



## OPÉRATION

### Mise en marche de la scie à perche



1. Poussez le levier de déverrouillage de sécurité, puis appuyez sur la gâchette d'accélération en maintenant enfoncée pour démarrer la machine.

**REMARQUE :** Vous trouverez plus de détails dans le manuel de la tête motorisée.

### COUPE

**⚠ IMPORTANT :** Vérifiez le réservoir d'huile régulièrement. Vérifiez la tension de la chaîne si vous l'avez récemment remplacée chaque fois que vous remplacez le bloc de batterie.

- (1) Installez le bloc de batterie dans la machine.
- (2) Ne laissez pas la chaîne toucher le sol lorsque la machine fonctionne, car cela risque d'émousser la chaîne.
- (3) Utilisez les deux mains pour saisir la tronçonneuse.
- (4) Assurez-vous que vos pieds sont fermement

positionnés au sol. Gardez les pieds écartés à la largeur des épaules. Répartissez votre poids uniformément sur les deux pieds.

- (5) Lorsque vous êtes prêt, suivez les procédures de démarrage ci-dessus et de sélection de la vitesse. Cela mettra la scie en marche. En relâchant la gâchette, la scie s'arrête. Assurez-vous que la scie fonctionne à pleine vitesse avant de commencer une coupe.
- (6) Au début de la coupe, placez lentement la chaîne contre le bois. Le bois doit être aussi près que possible de la tête de coupe. Maintenez fermement la tronçonneuse en place pour éviter qu'elle ne rebondisse ou ne dérape (mouvement latéral).
- (7) Guidez la tronçonneuse en exerçant une légère pression et n'exercez pas de force excessive sur la tronçonneuse, laissez-la faire son travail. Autrement, le moteur va surcharger et peut griller. Il effectuera le travail mieux et de manière plus sûre, au rythme pour lequel il a été conçu.
- (8) Retirez la scie d'une coupe avec la scie fonctionnant à pleine vitesse. Arrêtez la tronçonneuse. Assurez-vous que la chaîne s'est arrêtée avant de déposer la scie.
- (9) Entraînez-vous sur des rondins de bois dans une zone de travail sécurisée pour vous familiariser avec l'outil, et obtenir un mouvement fluide et une vitesse de coupe régulière.

### DISPOSITIFS DE SÉCURITÉ CONTRE LE REcul SUR CETTE TRONÇONNEUSE

Cette tronçonneuse est équipée d'une chaîne à faible recul et d'un guide-chaîne à recul réduit. Ces deux éléments réduisent le risque de recul. Cependant, un recul peut toujours se produire avec cette élagueuse à perche. Les mesures suivantes réduisent le risque de recul.

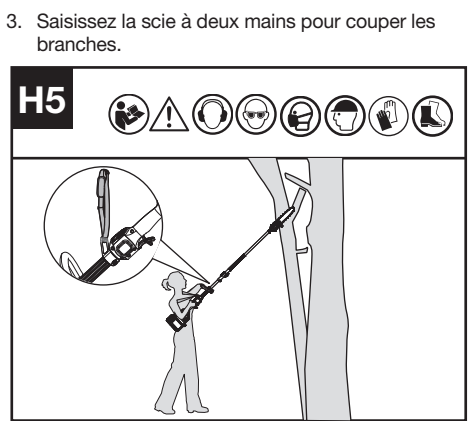
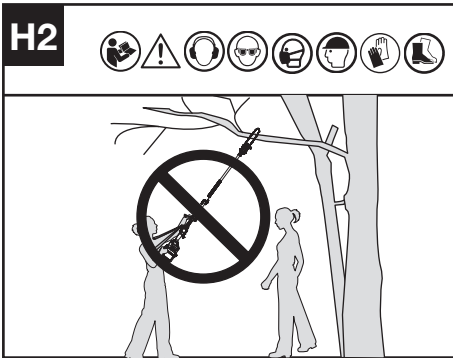
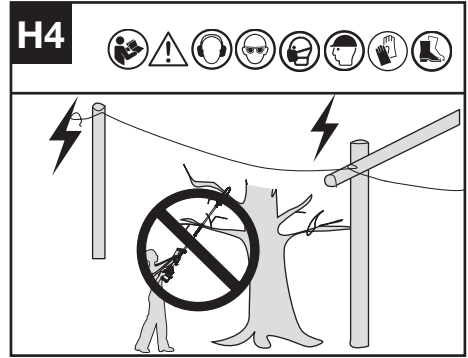
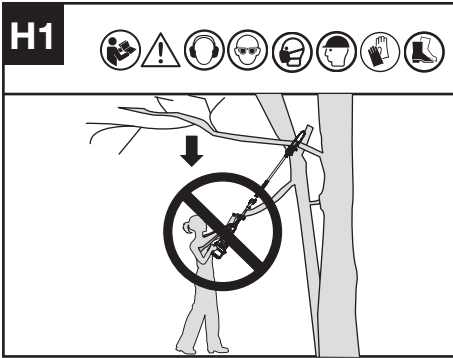
- Saisissez la tronçonneuse à deux mains lorsqu'elle est en marche. Ayez une prise ferme.
- Maintenez tous les éléments de sécurité en place sur la scie. Assurez-vous qu'ils fonctionnent correctement.
- Gardez les pieds bien ancrés au sol et en équilibre à tout moment.
- Tenez-vous légèrement à gauche de la tronçonneuse. Cela évite que votre corps soit en ligne directe avec la chaîne.
- Ne laissez pas le bout du guide-chaîne toucher quoi que ce soit lorsque la chaîne est en mouvement.
- Ne laissez pas le bout de barre de guidage toucher le sol et n'essayez pas de couper en plongée (en perçant le bois avec le bout de la barre de guidage).
- Faites attention au déplacement du bois ou à d'autres forces qui pourraient pincer la chaîne.
- Soyez extrêmement prudent lorsque vous réinsérez l'outil dans une coupe précédente.
- N'utilisez que la chaîne et la barre de guidage à faible recul qui ont été livrées avec cette tronçonneuse ou les pièces de rechange recommandées.
- N'utilisez jamais une chaîne émoussée



ou desserrée. Gardez la chaîne affûtée et correctement tendue.

## COUPE DES BRANCHES EN HAUTEUR

1. Installez le bloc de batterie dans la machine.
2. Avant de couper une branche en hauteur, essayez de prévoir la trajectoire de la branche lorsqu'elle tombera. **AVERTISSEMENT** : Ne vous tenez pas directement sous la branche que vous coupez. Personne ne doit se trouver à côté. Ne montez pas sur une échelle ou un autre type de support instable lorsque vous utilisez cet outil. N'utilisez pas cet outil s'il y a des câbles ou des lignes électriques ou téléphoniques à côté. Maintenez une distance de 3 m (10 pieds) de toute lignes électriques. (Voir Fig. H1-H4)



3. Saisissez la scie à deux mains pour couper les branches.

### AILLE D'UN ARBRE (Élagage)

**AVERTISSEMENT** : Attention aux reculs. Les reculs peuvent causer des blessures graves et même mettre votre vie en danger. Voir la section sur le recul pour éviter les risques associés.

**AVERTISSEMENT** : N'utilisez l'élagueuse à

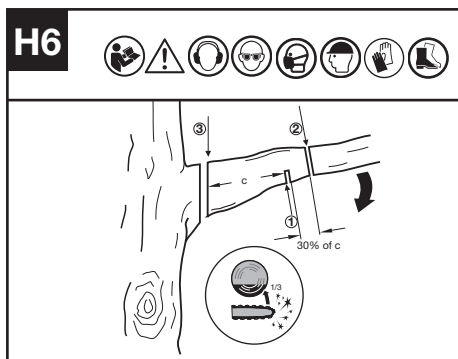
perche si vous êtes

- dans un arbre
- sur une échelle ou toute autre surface instable

• dans une position inconfortable  
Vous pouvez perdre le contrôle de la machine et vous blesser grièvement.

**AVERTISSEMENT: Si l'utilisateur estime les conditions de travail au-delà de ses capacités, il lui est conseillé de faire appel à un professionnel.**  
La taille d'un arbre est la coupe des branches de l'arbre sur pied. Veiller à maintenir un bon équilibre. Garder les pieds écartés. Répartir le poids également sur les deux pieds. Procéder de la façon suivante pour la taille d'un arbre.

1. Faites une première coupe à quelques pouces (c) du tronc de l'arbre ou sous la branche Utilisez le bout de la barre de guidage pour faire cette coupe. Coupez 1/3 du diamètre de la branche (Voir Fig. H6).



2. Avancez de quelques pouces (30 % de c) vers le haut de la branche. Faites une seconde coupe au-dessus de la branche. Continuez à couper jusqu'à ce que la branche se détache.
3. Faites une troisième coupe aussi près du tronc d'arbre que possible pour détacher complètement le reste de la branche. Utilisez le bas de la guidechaîne pour effectuer cette coupe.

## POUR LES OUTILS DE LA BATTERIE

La plage de température ambiante pour l'utilisation et le stockage de l'outil et de la batterie est -20 °C à 45 °C (-4 °F-113 °F).

La plage de température ambiante recommandée pour le système de charge pendant la charge est de -5 °C à 45 °C (23 °F-113 °F).

## TRANSPORT

### Transport de l'élagueuse à perche

1. Arrêtez l'élagueuse à perche et retirez la batterie.
2. Lorsque vous transportez l'élagueuse à perche à la main, tenez-la par la perche en vous assurant que la machine est parallèle au sol et que la barre est tournée vers l'arrière.
3. Lorsque vous transportez votre élagueuse à perche dans un véhicule, fixez-la et positionnez-

la pour éviter tout mouvement ou dommage.

## ENTRETIEN DE LA SCIE

Suivez les instructions d'entretien de ce manuel. La tronçonneuse doit être correctement nettoyée et entretenue pour éviter que la chaîne et la barre ne s'usent trop vite. Inspectez et entretenez la tronçonneuse après chaque utilisation. Cela augmentera la durée de vie de votre outil. Si la machine est exposée à la pluie pendant le fonctionnement, la machine et la batterie doivent être séchées avant d'être stockées ou rechargées.

## ENTRETIEN ET RANGEMENT DE L'ÉLAGUEUSE À PERCHE

1. **Retirez le bloc-batterie**
  - Lorsqu'elle n'est pas utilisée
  - Avant de la déplacer d'un endroit à un autre
  - Avant l'entretien
  - Avant de changer d'accessoire ou de pièces, comme la chaîne et la barre.
2. **Inspectez l'élagueuse à perche avant et après chaque utilisation.** Vérifiez attentivement si la protection ou une autre pièce a été endommagée. Vérifiez l'absence de tout dommage susceptible d'affecter la sécurité de l'opérateur ou le fonctionnement de la tronçonneuse. Vérifiez l'alignement ou le blocage des pièces mobiles. Vérifiez l'absence de pièces cassées ou endommagées. N'utilisez pas l'élagueuse si son fonctionnement en toute sécurité n'est pas garanti. Faites réparer les dommages par un centre de service agréé.
3. **Entretenez l'élagueuse à perche soigneusement.**
  - Maintenez la chaîne affûtée, propre et lubrifiée pour des performances optimales et plus sûres.
  - Suivez les consignes indiquées dans ce manuel pour affûter la chaîne.
  - Gardez les poignées sèches, propres et exemptes d'huile et de graisse.
  - Toutes les vis et tous les écrous doivent être serrés.
4. **Lors de l'entretien, n'utilisez que des pièces de rechange identiques.**
5. **Lorsque vous ne vous servez pas de la tronçonneuse, rangez-la toujours**
  - dans un endroit verrouillé et en hauteur, hors de portée des enfants
  - dans un endroit sec
  - avec le fourreau de protection en place

## ENTRETIEN DE LA LAME

Les entretiens suivants sont recommandés pour faire durer la lame le plus longtemps possible. Il faut nettoyer la rainure de la lame qui guide la chaîne avant de ranger la scie où lorsque la chaîne

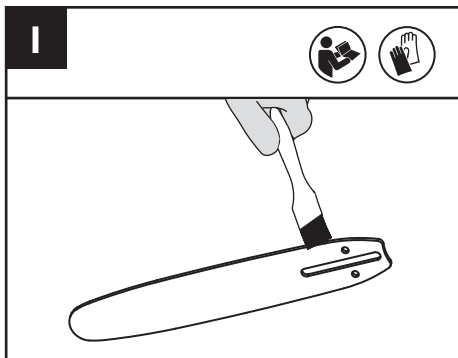
semble sale.

La rainure doit aussi être nettoyée que la chaîne est retirée.

Il peut être nécessaire d'ébavurer les rails de la barre avec une lime.

## POUR NETTOYER LA RAINURE

1. Retirez le couvercle de la chaîne, le guide-chaîne et la chaîne. (voir section ASSEMBLAGE).
2. À l'aide d'une brosse métallique, d'un tournevis ou d'un outil similaire, éliminez les résidus de la rainure intérieure de la barre (Voir la Fig. I).
3. Assurez-vous de nettoyer soigneusement les passages d'huile.

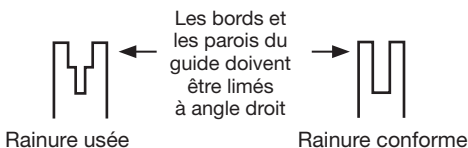


## CONDITIONS DEMANDANT L'ENTRETIEN DE LA LAME-GUIDE:

- La scie tire d'un côté ou coupe en angle.
- Il faut appuyer sur la scie pour qu'elle puisse passer à travers le morceau à couper.
- Le débit d'huile est insuffisant pour lubrifier adéquatement la lame et la chaîne.

Vérifier l'état de la lame-guide à chaque aiguisage des dents de la chaîne. Une lame-guide usée endommagera la chaîne et rendra la coupe difficile. Après chaque utilisation, retirez la batterie, nettoyez toute la sciure de bois de la barre de guidage et du trou du pignon.

Lorsque la rainure du haut est inégale, utiliser une lime plate pour redonner des bords carrés et des parois droites.



Remplacer la lame-guide lorsque la rainure est usée, la lame-guide est tordue ou fendillée, ou lorsque la rainure chauffe trop ou s'ébarbe. Si un remplacement est nécessaire, utilisez uniquement la barre de guidage spécifiée pour votre élagueuse dans la liste des pièces détachées ou sur l'autocollant situé sur l'élagueuse.

## REPLACEMENT DE LA CHAÎNE/ GUIDE-CHAÎNE

Remplacer la chaîne lorsque les taillants sont trop usés pour être affûtés ou lorsque la chaîne casse. Utiliser uniquement la chaîne de rechange spécifiée dans ce manuel.

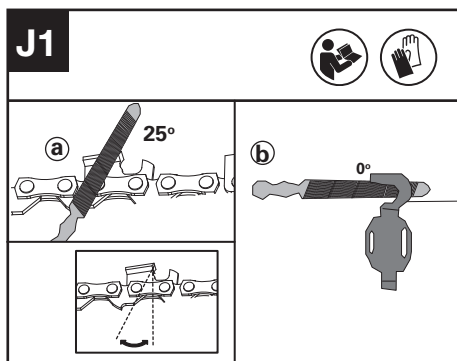
Inspecter la guide-chaîne avant d'affûter la chaîne. Une guide-chaîne usée ou endommagée présente des dangers. Elle endommage la chaîne. Le sciage devient également plus difficile.

## AFFÛTAGE DE LA CHAÎNE

**AVERTISSEMENT:** Retirez la batterie avant d'effectuer l'entretien. Des blessures graves ou la mort peuvent être provoquées par les chocs électriques et le contact du corps avec la chaîne en mouvement.

Les tranchants de la chaîne sont affûtés. Porter des gants de protection pour manipuler la chaîne. Maintenir la chaîne affûtée. La tronçonneuse scie plus rapidement et de façon plus sécuritaire. Une chaîne émoussée provoque l'usure prématurée du pignon, de la guide-chaîne, de la chaîne et du moteur. Si l'utilisateur est contraint de forcer sur la chaîne pour la faire entrer dans le bois et si le sciage ne produit que de la sciure avec peu de gros copeaux, c'est que la chaîne est émoussée.

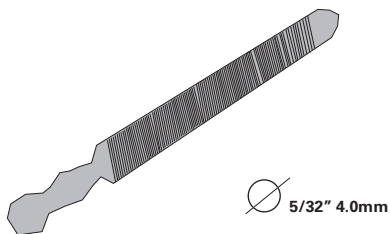
Avant de procéder à l'affûtage, veuillez prêter attention aux étapes suivantes ( Voir Fig. J1)



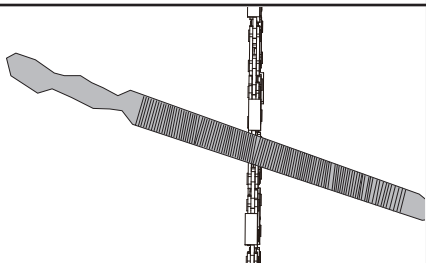
a: L'angle d'affûtage; b: la position de la lime.

## Comment affûter les dents

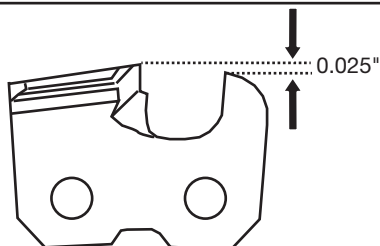
1. Utilisez une lime ronde pour affûter les dents. (Voir Fig. J2). **REMARQUE :** Serrez fermement le guide-chaîne dans un étau avant d'affûter la chaîne. Assurez-vous que la chaîne n'est pas « pincée » et qu'elle peut se déplacer librement sur le guide-chaîne. Vérifiez que la chaîne est correctement tendue. (Voir la section « Tension de la chaîne »)

**J2**

2. Affûtez les dents avec la lime en partant de l'intérieur des dents et en allant vers l'extérieur. (Voir Fig. J3)

**J3**

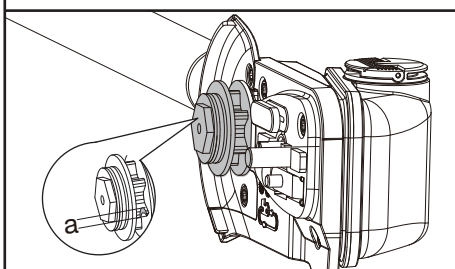
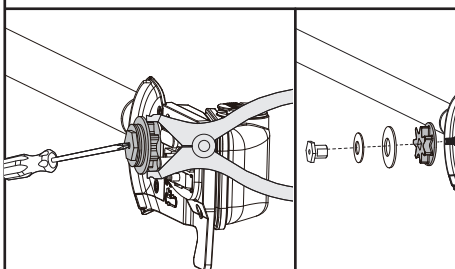
3. Affûtez toutes les dents d'un côté du guide-chaîne.  
 4. Retournez la scie à chaîne dans l'autre direction et limez toutes les dents du côté opposé.  
 5. Assurez-vous que la longueur de toutes les dents de coupe est la même.  
 Pour assurer une coupe efficace, sûre et régulière, limez avec la hauteur de la jauge de profondeur à 0,025 po (0.65 mm). Assurez-vous que le bord avant de la jauge de profondeur est arrondi. (Voir Fig. J4)

**J4**

## INSPECTION ET ENTRETIEN DU PIGNON DE CHÂÎNE

**AVERTISSEMENT** : Avant de vérifier, il faut mettre l'élagueuse à perche hors tension et de retirer la batterie.

1. Retirez le carter du pignon d'entraînement, la chaîne et la barre de guidage.
2. Vérifiez si les marques d'usure sont plus profondes que  $a = 0,020$  po (0,5 mm) comme illustré à la Fig. S1. Si c'est le cas, le pignon de chaîne doit être remplacé. (Voir Fig. K1)
3. Lorsque vous remplacez le pignon de chaîne, vérifiez le pignon avec une pince et utilisez un tournevis pour dévisser l'écrou et le remplacer (Voir Fig. K2)

**K1****K2**

## NETTOYAGE

1. Arrêtez l'élagueuse à perche et retirez la batterie.
2. N'utilisez pas de détergents ou de solvants agressifs. Nettoyez la machine après utilisation avec un chiffon humide trempé dans un détergent neutre.
3. Veillez à ce que la connexion de la batterie soit exempte de saleté et de débris, et nettoyez-la avec une brosse ou un chiffon doux et sec.
4. Ne pulvérisez pas d'eau sur le moteur ou sur les composants électriques.
5. N'utilisez pas de nettoyeur à haute pression pour nettoyer votre machine.

## ENTREPOSAGE

1. Retirez le bloc de batteries de l'élagueuse à perche avant de la ranger.
2. Rangez l'élagueuse à perche dans un endroit sec et sécurisé, inaccessible aux enfants et à d'autres personnes non autorisées.
3. If the machine and battery are exposed to rain during operation, they should be dried before storing or recharging. Remove the battery and reinsert it if the machine does not start.

## TABLEAU DE DÉPANNAGE

Le tableau suivant vous propose des vérifications et des mesures correctrices si votre outil ne fonctionne pas correctement. Si le tableau d'identifie pas ou ne permet pas de corriger le problème, contactez votre agent de maintenance.



**AVERTISSEMENT: ÉTEIGNEZ ET RETIREZ LA BATTERIE AVANT DE CHERCHER À RÉSOUDRE LA PANNE.**

Symptôme	Les causes possibles	PROBLÈMES ET SOLUTIONS
La scie à chaîne ne fonctionne pas	Batterie déchargée	Rechargez la batterie.
La scie à chaîne fonctionne de manière intermittente	Surchauffage	Placer la machine dans un lieu frais pour la refroidir.
	Appliquer une trop grande pression pendant la coupe.	Appliquer une pression relativement moindre pendant la coupe.
	Connexion lâche	Contactez l'agent de maintenance.
	Câblage interne défectueux	
	Gâchette défectueuse.	
Chaîne sèche	Pas d'huile dans le réservoir d'huile	Remplissez d'huile
	Le reniflard sur le bouchon de remplissage d'huile est bouché	Nettoyez le bouchon
	Passage de l'huile bouché	Nettoyez le tuyau de passage de l'huile.
La chaîne/le guide-chaîne surchauffe	Pas d'huile dans le réservoir d'huile	Remplissez d'huile
	Le reniflard sur le bouchon de remplissage d'huile est bouché	Nettoyez le bouchon
	Passage de l'huile bouché	Nettoyez le tuyau de passage de l'huile
	La chaîne est trop tendue	Ajustez la tension de la chaîne
	Chaîne émoussée	Affutez la chaîne ou remplacez-la

La scie à chaîne saute, vibre et ne scie pas correctement	Tension de la chaîne trop faible	Ajustez la tension de la chaîne
	Chaîne émoussée	Affutez la chaîne ou remplacez-la
	Chaîne usée	Remplacez la chaîne
	Les dents de la chaîne sont pointées dans le mauvais sens	Remontez la chaîne dans le bon sens

## DONNÉES TECHNIQUES

	<b>KAC361</b>
Longueur du guide	25 cm (10")
Capacité du réservoir d'huile	5.4 oz. (160 ml)
Pas de chaîne	3/8" LP
Jauge de la chaîne	.043 " (1.1 mm)
Indice de protection	IPX4
Poids de la machine	1.8kg (3.9 lbs)

## COMBINAISONS D'ACCESSOIRES DE COUPE

### Accessoire de coupe

KAC333-10"/25cm 0.043"/1.1mm 3/8 LP barre

KAC302-10"/25cm 0.043"/1.1mm 3/8 LP chaîne

Positec USA, Inc. Charlotte, NC 28216 USA





Copyright © 2024, Positec. All Rights Reserved.  
Copyright © 2024, Positec. Tous droits réservés.

© Derechos reservados 2024, Positec. Todos los derechos reservados.

AR01754600