

Kress



Commercial



Cordless Grass Trimmer	EN	P03
Cortadora de césped sin cable	ES	P18
Coupe-herbe sans fil	F	P34
KC110 KC110.X		

TABLE OF CONTENTS

Introduction.....	3
Component List.....	4
Product Safety.....	6
Assembly & Operation.....	10
Transportation.....	13
Maintenance.....	14
Cleaning.....	15
Storage.....	15
Troubleshooting.....	15
Technical Data.....	16

INTRODUCTION

Dear Customer,

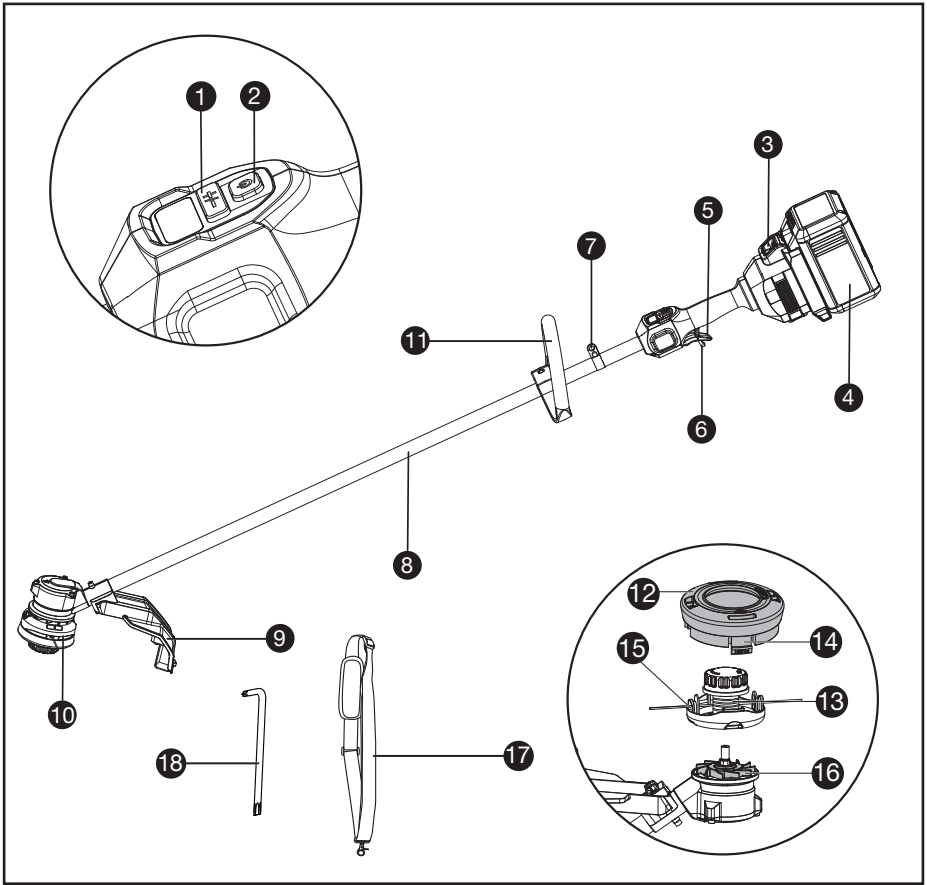
Thank you for buying this Kress Commercial product. We are dedicated to developing high quality products to meet your commercial landscaping requirements.

The Kress brand is synonymous with premium quality service. Over the years of your product's life, if you have any questions or concerns about your product, please contact your dealer or our Customer Service Team for assistance.

We are confident you will enjoy working with your Kress product for years to come.

INTENDED USE

This machine is intended for cutting grass and high weeds that cannot be reached with a lawn mower. This machine is also used on areas with slopes not conducive to mowing.



EN

COMPONENT LIST

1.	SPEED CONTROL
2.	ON / OFF SWITCH
3.	BATTERY PACK RELEASE
4.	BATTERY PACK *
5.	THROTTLE TRIGGER
6.	SAFETY LOCK OFF LEVER
7.	SHOULDER STRAP MOUNT
8.	SHAFT
9.	DEBRIS GUARD
10.	TRIMMER HEAD
11.	FRONT HANDLE
12.	SPOOL CAP
13.	SPOOL

14. CAP RELEASE LATCH

15. EYELET


16. FAN

17. SHOULDER STRAP *

18. TORX KEY


* Not all the accessories illustrated or described are included in standard delivery.

PRODUCT SAFETY


 **WARNING:** Some dust created by power sanding, sawing, grinding, drilling and other construction activities contains chemicals known to the State of California to cause cancer, birth defects or other reproductive harm. Some examples of these chemicals are:

- Lead from lead-based paints;
- Crystalline silica from bricks and cement and other masonry products;
- Arsenic and chromium from chemically-treated lumber.

Your risk from these exposures varies, depending on how often you do this type of work. To reduce your exposure to these chemicals: work in a well ventilated area, and work with approved safety equipment, such as those dust masks that are specially designed to filter out microscopic particles.

 **WARNING:** This product can expose you to chemicals including lead and Di(2-ethylhexyl)phthalate (DEHP) which are known to the State of California to cause cancer and birth defects or other reproductive harm. For more information go to www.P65Warnings.ca.gov.

GENERAL OUTDOOR POWER EQUIPMENT SAFETY WARNINGS

 **WARNING:** Read all safety warnings, instructions, illustrations and specifications provided with this Outdoor Power Equipment. Failure to follow all instructions listed below may result in electric shock, fire and/or serious injury.

Save all warnings and instructions for future reference.

The term "Outdoor Power Equipment" in the warnings refers to your corded Outdoor Power Equipment or battery-operated (cordless) Outdoor Power Equipment.

1. Work area safety

- Keep work area clean and well lit.** Cluttered or dark areas invite accidents.
- Do not operate Outdoor Power Equipments in explosive atmospheres, such as in the presence of flammable liquids, gases or dust.** Outdoor Power Equipments create sparks which may ignite the dust or fumes.
- Keep children and bystanders away while operating a Outdoor Power Equipment.** Distractions can cause you to lose control.

2. Electrical safety

- Outdoor Power Equipment plugs must match the outlet. Never modify the plug in any way. Do not use any adapter plugs with earthed (grounded) Outdoor Power Equipments.**

Unmodified plugs and matching outlets will reduce risk of electric shock.

- Avoid body contact with earthed or grounded surfaces, such as pipes, radiators, ranges and refrigerators.** *There is an increased risk of electric shock if your body is earthed or grounded.*
- Do not operate the machine in rain or wet conditions. This may increase the risk of electric shock.** *If the machine becomes wet in the rain during operation, the machine and the battery should be dried before storing or charging. Remove the battery and reinsert it if the machine fails to turn on. Keep battery connection free of dirt and debris, and clean with a soft and dry brush or cloth.*
- Do not abuse the cord. Never use the cord for carrying, pulling or unplugging the Outdoor Power Equipment. Keep cord away from heat, oil, sharp edges or moving parts.** *Damaged or entangled cords increase the risk of electric shock.*
- When operating a Outdoor Power Equipment outdoors, use an extension cord suitable for outdoor use.** *Use of a cord suitable for outdoor use reduces the risk of electric shock.*
- If operating a Outdoor Power Equipment in a damp location is unavoidable, use a residual current device (RCD) protected supply.** *Use of an RCD reduces the risk of electric shock.*

3. Personal safety

- Stay alert, watch what you are doing and use common sense when operating a Outdoor Power Equipment. Do not use a Outdoor Power Equipment while you are tired or under the influence of drugs, alcohol or medication.** *A moment of inattention while operating Outdoor Power Equipments may result in serious personal injury.*
- Use personal protective equipment. Always wear eye protection.** *Protective equipment such as dust mask, non-skid safety shoes, hard hat, or hearing protection used for appropriate conditions will reduce personal injuries.*
- Prevent unintentional starting. Ensure the switch is in the off-position before connecting to power source and/or battery pack, picking up or carrying the tool.** *Carrying Outdoor Power Equipments with your finger on the switch or energizing Outdoor Power Equipments that have the switch on invites accidents.*
- Remove any adjusting key or wrench before turning the Outdoor Power Equipment on.** *A wrench or a key left attached to a rotating part of the Outdoor Power Equipment may result in personal injury.*
- Do not overreach. Keep proper footing and balance at all times.** *This enables better control of the Outdoor Power Equipment in unexpected situations.*
- Dress properly. Do not wear loose clothing or jewellery. Keep your hair, clothing and gloves**

away from moving parts. *Loose clothes, jewellery or long hair can be caught in moving parts.*

- g) **If devices are provided for the connection of dust extraction and collection facilities, ensure these are connected and properly used.** *Use of dust collection can reduce dust-related hazards.*
- h) **Do not let familiarity gained from frequent use of tools allow you to become complacent and ignore tool safety principles.** *A careless action can cause severe injury within a fraction of a second.*

4. Outdoor Power Equipment use and care

- a) **Do not force the Outdoor Power Equipment. Use the correct Outdoor Power Equipment for your application.** *The correct Outdoor Power Equipment will do the job better and safer at the rate for which it was designed.*

- b) **Do not use the Outdoor Power Equipment if the switch does not turn it on and off.** *Any Outdoor Power Equipment that cannot be controlled with the switch is dangerous and must be repaired.*

- c) **Disconnect the plug from the power source and/or the battery pack from the Outdoor Power Equipment before making any adjustments, changing accessories, or storing Outdoor Power Equipments.** *Such preventive safety measures reduce the risk of starting the Outdoor Power Equipment accidentally.*

- d) **Store idle Outdoor Power Equipments out of the reach of children and do not allow persons unfamiliar with the Outdoor Power Equipment or these instructions to operate the Outdoor Power Equipment.** *Outdoor Power Equipments are dangerous in the hands of untrained users.*

- e) **Maintain Outdoor Power Equipments. Check for misalignment or binding of moving parts, breakage of parts and any other condition that may affect the Outdoor Power Equipment's operation. If damaged, have the Outdoor Power Equipment repaired before use.** *Many accidents are caused by poorly maintained Outdoor Power Equipments.*

- f) **Keep cutting tools sharp and clean.** *Properly maintained cutting tools with sharp cutting edges are less likely to bind and are easier to control.*

- g) **Use the Outdoor Power Equipment, accessories and tool bits etc. in accordance with these instructions, taking into account the working conditions and the work to be performed.** *Use of the Outdoor Power Equipment for operations different from those intended could result in a hazardous situation.*

- h) **Keep handles and grasping surfaces dry, clean and free from oil and grease.** *Slippery handles and grasping surfaces do not allow for safe handling and control of the tool in unexpected situations.*

5. Battery tool use and care

- a) **Recharge only with the charger specified by the manufacturer.** *A charger that is suitable for one type of battery pack may create a risk of fire when used with another battery pack.*

- b) **Use Outdoor Power Equipments only with specifically designated battery packs.** *Use of any other battery packs may create a risk of injury and fire.*

- c) **When battery pack is not in use, keep it away from other metal objects, like paper clips, coins, keys, nails, screws or other small metal objects, that can make a connection from one terminal to another.** *Shorting the battery terminals together may cause burns or a fire.*

- d) **Under abusive conditions, liquid may be ejected from the battery; avoid contact. If contact accidentally occurs, flush with water. If liquid contacts eyes, additionally seek medical help.** *Liquid ejected from the battery may cause irritation or burns.*

- e) **Do not use a battery pack or tool that is damaged or modified.** *Damaged or modified batteries may exhibit unpredictable behaviour resulting in fire, explosion or risk of injury.*

- f) **Do not expose a battery pack or tool to fire or excessive temperature.** *Exposure to fire or temperature above 130 °C (265 °F) may cause explosion.*

- g) **Follow all charging instructions and do not charge the battery pack or tool outside the temperature range specified in the instructions.** *Charging improperly or at temperatures outside the specified range may damage the battery and increase the risk of fire.*

6. Service

- a) **Have your Outdoor Power Equipment serviced by a qualified repair person using only identical replacement parts.** *This will ensure that the safety of the Outdoor Power Equipment is maintained.*

- b) **Never service damaged battery packs.** *Service of battery packs should only be performed by the manufacturer or authorized service providers.*

BRUSH CUTTER AND BRUSH SAW SAFETY WARNINGS

- a) **Do not use the machine in bad weather conditions, especially when there is a risk of lightning.** *This decreases the risk of being struck by lightning.*
- b) **Thoroughly inspect the area for wildlife where the machine is to be used.** *Wildlife may be injured by the machine during operation.*
- c) **Thoroughly inspect the area where the machine is to be used and remove all stones, sticks, wires, bones, and other foreign**

objects. Thrown objects can cause personal injury.

- d) **Before using the machine, always visually inspect to see that the cutter or blade and the cutter or blade assembly are not damaged.** Damaged parts increase the risk of injury.
- e) **Follow instructions for changing accessories.** Improperly tightened blade securing nuts or bolts may either damage the blade or result in it becoming detached.
- f) **The rated rotational speed of the blade must be at least equal to the maximum rotational speed marked on the machine.** Blades running faster than their rated rotational speed can break and fly apart.
- g) **Wear eye, ear, head and hand protection.** Adequate protective equipment will reduce personal injury by flying debris or accidental contact with the cutting line or blade.
- h) **While operating the machine, always wear safety footwear. Do not operate the machine when barefoot or wearing open sandals.** This reduces the chance of injury to the feet from contact with a moving cutter, line or blade.
- i) **While operating the machine, always wear long trousers.** Exposed skin increases the likelihood of injury from thrown objects.
- j) **Keep bystanders away while operating the machine.** Thrown debris can result in serious personal injury.
- k) **Always use two hands when operating the machine.** Holding the machine with both hands will avoid loss of control.
- l) **Hold the machine by the insulated gripping surfaces only, because the cutting line or blade may contact hidden wiring.** Cutting line or blades contacting a "live" wire may make exposed metal parts of the machine "live" and could give the operator an electric shock.
- m) **Always keep proper footing and operate the machine only when standing on the ground.** Slippery or unstable surfaces may cause a loss of balance or control of the machine.
- n) **Do not operate the machine on excessively steep slopes.** This reduces the risk of loss of control, slipping and falling which may result in personal injury.
- o) **When working on slopes, always be sure of your footing, always work across the face of slopes, never up or down and exercise extreme caution when changing direction.** This reduces the risk of loss of control, slipping and falling which may result in personal injury.
- p) **Keep all parts of the body away from the cutter, line or blade when the machine is operating.** Before you start the machine, make sure the cutter, line or blade is not contacting anything. A moment of inattention while operating the machine may result in injury to yourself or others.
- q) **Do not operate the machine above waist height.** This helps prevent unintended cutter or blade contact and enables better control of the

machine in unexpected situations.

- r) **When cutting brush or saplings that are under tension, be alert for spring back.** When the tension in the wood fibres is released, the brush or sapling may strike the operator and/or throw the machine out of control.
- s) **Use extreme caution when cutting brush and saplings.** The slender material may catch the blade and be whipped toward you or pull you off balance.
- t) **Maintain control of the machine and do not touch cutters, lines or blades and other hazardous moving parts while they are still in motion.** This reduces the risk of injury from moving parts.
- u) **Carry the machine with the machine switched off and away from your body.** Proper handling of the machine will reduce the likelihood of accidental contact with a moving cutter, line or blade.
- v) **When transporting or storing the machine, always fit the cover on metal blades.** Proper handling of the machine will reduce the likelihood of accidental contact with the blade.
- w) **Only use replacement cutters, lines, cutting heads and blades specified by the manufacturer.** Incorrect replacement parts may increase the risk of breakage and injury.
- x) **When clearing jammed material or servicing the machine, make sure the switch is off and the battery pack is removed.** Unexpected starting of the machine while clearing jammed material or servicing may result in serious personal injury.

BLADE THRUST CAUSES AND RELATED WARNINGS

Blade thrust is a sudden sideways, forward or backward motion of the machine, which may occur when the blade jams or catches on an object such as a sapling or a tree stump. It can be violent enough to cause the machine and/or operator to be propelled in any direction, and possibly lose control of the machine. Blade thrust and its related hazards can be avoided by taking proper precautions as given below.

- a) **Maintain a firm grip with both hands on the machine and position your arms to resist blade thrust. Position your body to the left side of the machine.** Blade thrust can increase the risk of injury due to the machine moving unexpectedly. Blade thrust can be controlled by the operator if proper precautions are taken.
- b) **If the blade binds, or when interrupting a cut for any reason, switch the machine off and hold the machine motionless in the material until the blade comes to a complete stop. While the blade is binding, never attempt to remove the machine from the material or pull the machine backward while the blade is in motion, otherwise blade thrust may occur. Investigate and take corrective actions to**

eliminate the cause of blade binding.

- c) **Do not use blunt or damaged blades.** *Blunt or damaged blades increase the risk of jamming or catching on an object, resulting in blade thrust.*
- d) **Always maintain good visibility of the material being cut.** *Blade thrust is more likely to occur in areas where it is difficult to see the material being cut.*
- e) **If you are approached by another person while operating the machine, switch the machine off.** *There is an increased risk of injury to other persons being struck by the moving blade in the event of blade thrust.*

SAFETY WARNINGS FOR BATTERY PACK

- a) Do not dismantle, open or shred battery pack.
- b) Do not expose battery pack to heat or fire. Avoid storage in direct sunlight.
- c) Do not short-circuit a battery pack. Do not store battery packs haphazardly in a box or drawer where they may short-circuit each other or be short-circuited by other metal objects. When battery pack is not in use, keep it away from other metal objects, like paper clips, coins, keys, nails, screws or other small metal objects, that can make a connection from one terminal to another. Shorting the battery terminals together may cause burns or fire.
- d) Do not subject battery pack to mechanical shock.
- e) In the event of battery leaking, do not allow the liquid to come in contact with the skin or eyes. If contact has been made, wash the affected area with copious amounts of water and seek medical advice.
- f) Do not use any battery pack which is not designed for use with the equipment.
- g) Keep battery pack out of the reach of children.
- h) Always purchase the battery pack recommended by the device manufacturer for the equipment.
- i) Keep battery pack clean and dry.
- j) Wipe the battery pack terminals with a clean dry cloth if they become dirty.
- k) Battery pack needs to be charged before use. Always use the correct charger and refer to the manufacturer's instructions or equipment manual for proper charging instructions.
- l) Do not leave battery pack on prolonged charge when not in use.
- m) After extended periods of storage, it may be necessary to charge and discharge the battery pack several times to obtain maximum performance.
- n) Recharge only with the charger specified by Kress. Do not use any charger other than that specifically provided for use with the equipment.
- o) Retain the original product literature for

future reference.

- p) Use only the battery pack in the application for which it was intended.
- q) Remove the battery pack from the equipment when not in use.
- r) Dispose of properly.
- s) Do not mix cells of different manufacture, capacity, size or type within a device.
- t) Keep the battery away from microwaves and high pressure.














SAVE THESE INSTRUCTIONS

USER MANUAL REQUIREMENTS FOR WIRELESS PRODUCT

- a) This device complies with part 15 of the FCC Rules. Operation is subject to the following two conditions:
 - (1) This device may not cause harmful interference, and
 - (2) this device must accept any interference received, including interference that may cause undesired operation.
- b) Caution: Changes or modifications to this unit not expressly approved by the party responsible for compliance could void the user's authority to operate the equipment.
- c) This device contains licence-exempt transmitter(s)/receiver(s) that comply with Innovation, Science and Economic Development Canada's licence-exempt RSS(s). Operation is subject to the following two conditions:
 - (1) This device may not cause interference.
 - (2) This device must accept any interference, including interference that may cause undesired operation of the device.
- d) NOTE: This equipment has been tested and found to comply with the limits for a Class B digital device, pursuant to part 15 of the FCC Rules. These limits are designed to provide reasonable protection against harmful interference in a residential installation. This equipment generates, uses and can radiate radio frequency energy and, if not installed and used in accordance with the instructions, may cause harmful interference to radio communications. However, there is no guarantee that interference will not occur in a particular installation. If this equipment does cause harmful interference to radio or television reception, which can be determined by turning the equipment off and on, the user is encouraged to try to correct the interference by one or more of the following measures:
 - Reorient or relocate the receiving antenna.
 - Increase the separation between the equipment and receiver.
 - Connect the equipment into an outlet on a circuit different from that to which the receiver is connected.
 - Consult the dealer or an experienced radio/TV

technician for help.


SYMBOLS

	To reduce the risk of injury, user must read instruction manual
	Wear eye, ear and head protection
	Wear slip-resistant footwear
	WARNING – The distance between the machine and bystanders shall be at least 50 ft (15 m)
	WARNING – Beware of thrown objects
	WARNING – Beware of blade thrust
	WARNING – Disconnect battery before maintenance
	Wear hand protection
	Li-Ion battery, battery must be recycled
	Do not burn
	Batteries may enter water cycle if disposed improperly, which can be hazardous for ecosystem. Do not dispose of waste batteries as unsorted municipal waste.
	Make sure the battery is removed prior to changing accessories.
	Trimming



POSITEC Inc. has established a partnership with the RBRC Corporation to recycle any Positec batteries with the RBRC-call2recycle seal. For environmental protection, please do not discard batteries in the trash. After the batteries' life cycle is ended, then please call 1-800-822-8837 for a free service that will properly dispose of the battery.

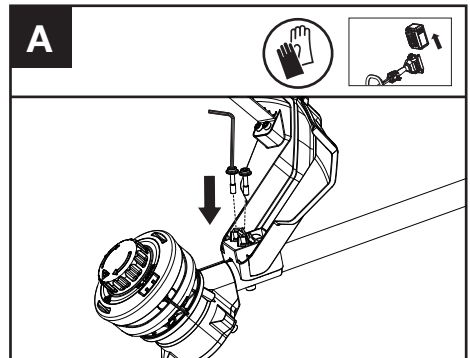
ASSEMBLY & OPERATION

 **NOTE:** Before using the tool, read the instruction book carefully.

 **BEFORE OPERATION:**


Assembling the debris guard (See Fig. A)


1. Install the correct Debris Guard for the trimmer head.
2. Secure the guard in place using the screw and torx key.



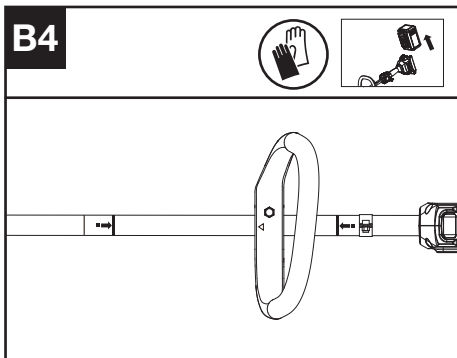
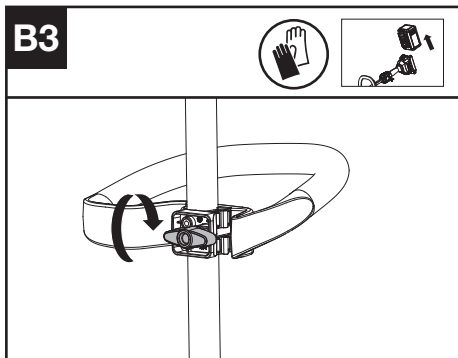
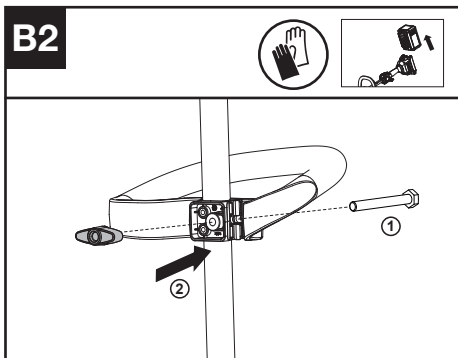
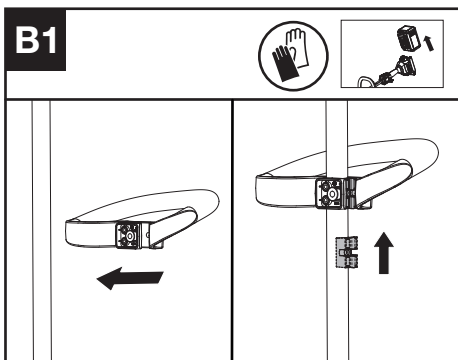
Assembling the Front Handle (See Fig. B1, B2, B3, B4)

1. Attach the Front Handle to the shaft of the grass trimmer and secure it with the Front Handle Spacer.
2. Insert the screw and attach the knob loosely.
3. Adjust the Front Handle to the desired position, between the two limit labels, and then tighten the knob clockwise to secure it.

 **WARNING:** When assembling the Front Handle, align the arrow of the Front Handle with the label. (See Fig. B4)

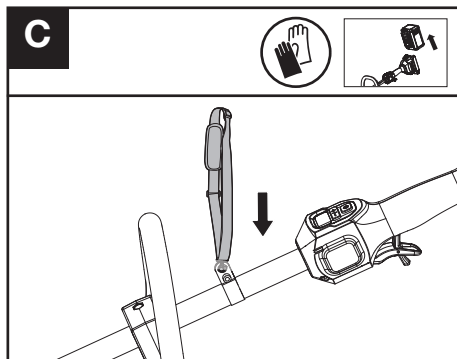
 **WARNING:** Adjust the Front Handle as desired so as to make sure your front arm is

straight when using the trimmer.

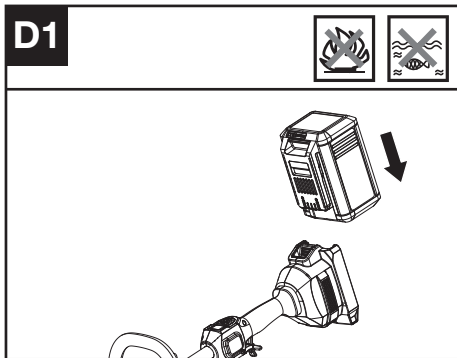


Fitting the shoulder strap (Sold Separately) (See Fig. C)

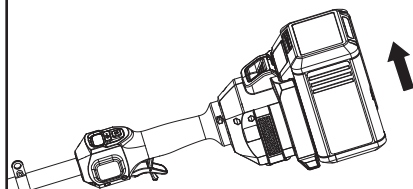
1. Adjust the length of shoulder strap to make sure that the carabiner is about a hand's width below the top of your hip.
2. Connect the carabiner of the accessory shoulder strap to the mounting point on the shaft of the trimmer.



Installing & removing the battery pack (See Fig. D1, D2)



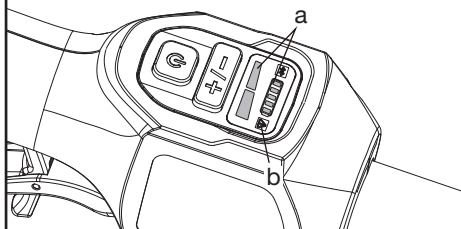
EN

D2

1. Slide the battery pack into the battery compartment until you hear a click.
2. Press the battery pack release to release battery pack from your tool.

Connecting with the backpack harness (See Fig. D3)

The trimmer can be connected with an accessory backpack harness (not supplied) and weight kit (not supplied). Refer to the backpack harness manual for more information.

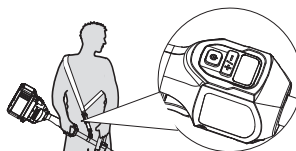
E

Checking the display

1. Insert the battery.
2. Hold and press the On / Off Switch. The product is switched on when the LED (a) is lit. The product is switched off when the LED (a) is out.
3. Push the Safety Lock Off Lever first, then press the Throttle Trigger to start the machine. The Trimmer Head rotates.
4. If the warning indicator (b) lights up or is flashing, refer to **Troubleshooting** for solutions.
5. Release the Throttle Trigger. The Trimmer Head stops rotating after a short delay. If the Trimmer Head continues to rotate, remove the battery and contact the service agent.

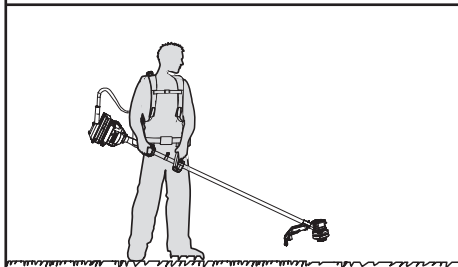
OPERATION:

Starting the trimmer (See Fig. F1, F2)

F1

1. Hold the trimmer firmly with your right hand on the control handle – wrap your thumb around the handle. Hold the trimmer with your left hand on the Front Handle– wrap your thumb around the handle.
2. Hold and press the On / Off Switch until the green LED is lit. The green LED shows the power level.
3. Push the Safety Lock Off Lever first, then press the Throttle Trigger to start the machine.

NOTE: The Safety Lock Off Lever is designed to

D3

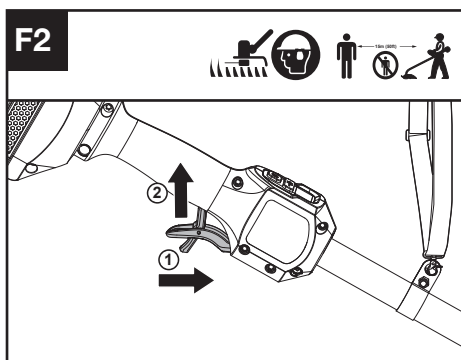
TESTING THE TRIMMER AND BATTERY (See Fig. E)

Checking the controls

Safety Lock Off Lever and Throttle Trigger

1. Remove the battery.
2. Try to press the Throttle Trigger. If the Throttle Trigger can be pressed without pushing the Safety Lock Off Lever, the Safety Lock Off Lever is defective. Stop using the trimmer and contact the service agent.
3. Push the Safety Lock Off Lever first, then press the Throttle Trigger.
4. Release the Throttle Trigger and the Safety Lock Off Lever. If the Throttle Trigger or the Safety Lock Off Lever is stuck and cannot spring back to its original position. Stop using the trimmer and contact the service agent.

prevent accidental operation. When you push the Safety Lock Off Lever it releases the Throttle Trigger.



Selecting the speed

2 Power Levels can be selected depending on the application. Use the +/- to control the speed, which is as indicated by the LEDs. The higher the power level, the faster the tool runs.

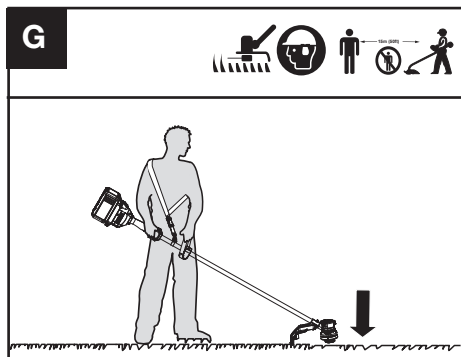
Stopping the trimmer

Release the Throttle Trigger to stop the machine.

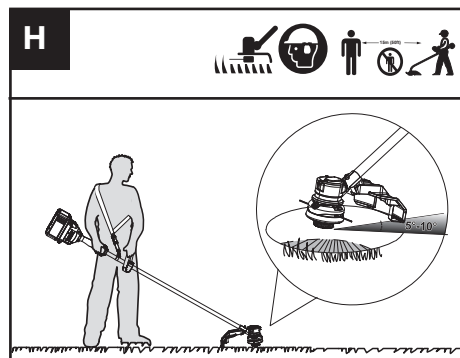
WARNING! The cutting head continues to rotate after the trimmer has been switched off; wait until it has completely stopped then lay down the tool.

Bump-line feed system (See Fig. G)

The trimmer is equipped with a bump-line system. Just bump the trimmer head while the machine is running, new line will feed out.



Cutting Tips (See Fig. H)



1. Swing the trimmer from side to side across the area to be cut.
2. Use the tip of the cutting line to do trimming; do not force the trimmer head into uncut grass.
3. Wire and picket fences may cause extra cutting line wear and breakage. Stone and brick walls, curbs, and wood may wear cutting line rapidly.
4. Avoid trees and shrubs. Tree bark, wood moldings, siding, and fence posts can easily be damaged by the cutting line.
5. The selected power level affects the battery's runtime. The lower the power level, the longer the runtime. It is recommended to use the lowest power level unless in worse cutting condition.

For Battery tools

The recommended ambient temperature range for discharging is -4°F~113°F (-20°C~45°C).

The recommended ambient temperature range for the charging system during charging is 23°F~113°F (-5°C~45°C).

TRANSPORTATION

Transporting the trimmer

1. Switch off the trimmer and remove the battery.
2. When transporting your trimmer by hand, hold the middle of the shaft with the cutting head to the rear and make sure that your machine is parallel to the ground.
3. When transporting your trimmer in a vehicle, secure and position it to prevent movement or damage.

Transporting the battery

1. Ensure the battery is in a safe condition.
2. Use non-conductive packaging when transporting the battery.
3. The contained Li-Ion batteries are subject to the dangerous goods legislation requirements. Transport batteries only when the battery housing is undamaged. Pack up the batteries in such a manner that cannot move around in the packaging.

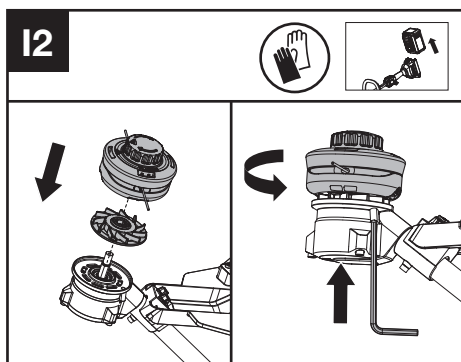
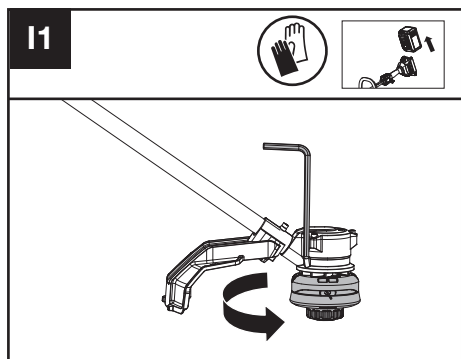
MAINTENANCE

⚠ WARNING! Always remove battery before conducting any maintenance on the trimmer.

Replacing the trimmer head (See Fig. I1, I2)

⚠ WARNING! Use of wire or metal-reinforced line is not authorized and could be extremely dangerous. Use only the cutting line recommended in this manual, in combination with the recommended debris guard.

⚠ WARNING! A damaged or loose cutting attachment head may vibrate, crack, break or come off the trimmer, which may result in serious or fatal injury or property damage. Make sure the trimmer head are properly and securely tightened and in good condition before starting work.

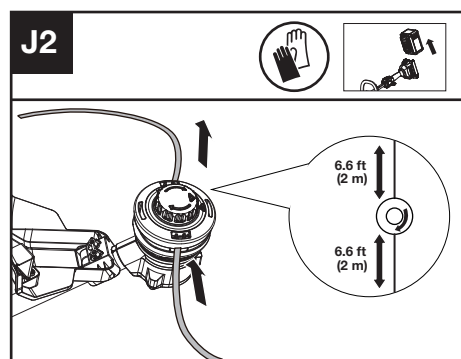
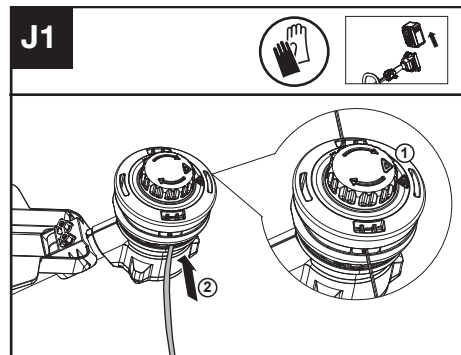


1. Insert the torx key into the hole and rotate the trimmer head to remove it.
2. Fit the Fan and the new cutting head. Insert the torx key into the hole and rotate the trimmer head counterclockwise until it stops in a locked position.

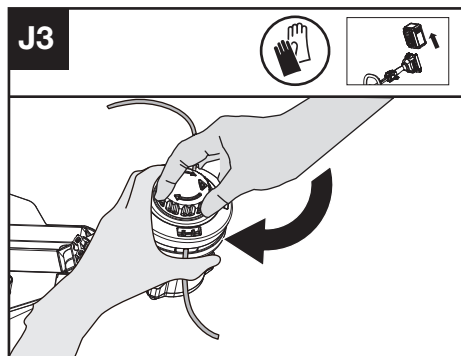
⚠ WARNING: When installing the Fan, ensure that the side with the "Outside" indicator is facing outward.

Winding the line (See Fig. J1, J2, J3)

1. Rotate the spool cap until the two triangle icons are aligned. (See Fig. J1)



2. Insert the replacement line through the eyelet (Line In) and feed it out through the other eyelet. Ensure both ends of the line are even on each end of the trimmer head (recommended 6.6 ft (2 m) and cut the line. (See Fig. J2)
3. Turn the dial clockwise to wind the line around the spool until about 6'' (16 cm) remains on either side. (See Fig. J3)



CLEANING

1. Switch off the trimmer and remove the battery.
2. Do not use aggressive detergents or solvents. Clean the machine after use with a damp cloth dipped in mild detergent.
3. Keep battery connection free of dirt and debris, and clean with a soft and dry brush or cloth.
4. Do not spray water onto the motor and electrical components.
5. Do not use pressure washer to clean your machine.

STORAGE

1. Remove the battery pack from the trimmer before storage.
2. If the machine becomes wet in the rain during operation, the machine and the battery should be dried before storing or charging. Remove the battery and reinsert it if the machine fails to turn on.
3. Store the trimmer and the battery in a dry and secure place that is inaccessible to children and other unauthorized people.
Remove the cutting attachment if it will not be used for a long time.
4. Store the battery only within a temperature range between 41°F (5°C) and 77°F (25°C). As an example, do not leave the battery in the car in summer time.

TROUBLESHOOTING

The following table gives problems and actions that you can perform if your machine does not operate correctly.



WARNING: Switch the machine off and remove the battery prior to any troubleshooting.

TRIMMER

EN


Problems	Possible Causes	Corrective Action
Battery indicator LED flashing	Low battery voltage.	Charge the battery.
Error LED flashing	Overload.	The cutting attachment is jammed. Deactivate the product. Remove the battery. Clean the cutting attachment from unwanted materials.
	Temperature issue.	Let the product cool down.
	The Throttle Trigger and the start/stop button are pressed at the same time.	Release Throttle Trigger. Perform the starting sequence again.
	Other problems	Contact Service Agent
The product does not start	Debris in the battery connectors.	Clean the battery connectors with compressed air or a soft brush.
	Other problems	Contact Service Agent.
Trimmer runs intermittently	The battery is not fully inserted to the machine.	Insert the battery fully.
	Potential electrical issue.	Contact Service Agent.
Excessive vibrations/ noise.	Line balance issue.	Rewind the line.
	Cutting attachment issue. Machine defective.	Replace cutting attachment. Contact Service Agent.

BATTERY

Problems	Possible Causes	Corrective Action
Error LED lit	The battery is discharged.	Charge the battery. If battery fails to charge, contact your Service Agent.
	Temperature issue.	Use the battery in surroundings where temperatures are between 23°F and 113°F (-5°C and 45°C) for charge; -4°F to 113°F (-20°C to 45°C) for discharge.
	Others	Contact your Service Agent.

TECHNICAL DATA

Type Designation: **KC110 KC110.X** (1-designation of machinery, representative of Cordless Grass Trimmer)

	KC110 KC110.X **
Voltage	60 V  MAX ***
Cutting speed	4500 / 5500 rpm
Cutting diameter	16.5" (42 cm)
Line diameter	.095" / .105" (2.4 / 2.7 mm) nylon line
Degree of protection	IPX 4
Machine weight (Bare tool)	6.6 lbs (3 kg)

** X may be followed by one or two characters. All models are the same except model number and trademark. The suffix in models may be number from "1" to "999" or English letter "A" to "Z" or "M1" to "M9" which means different package or the various accessories packed in the package.

*** Voltage measured without workload. Initial battery voltage reaches maximum of 60 volts. Nominal voltage is 54 volts.

SUGGESTED BATTERIES AND CHARGERS

Battery	Capacity	Charger	Amperage
KAC804	4.0 Ah	KAC840	25-30 A
KAC810 (With Backpack Harness and Weight Kit)	11.0 Ah		

We recommend that you purchase your accessories from the same Dealer that sold you the tool. Refer to the accessory packaging for further details. Your Dealer can assist you and offer advice.

TECHNICAL DATA FOR BATTERY PACK (OPTIONAL)

Frequency bands for Bluetooth	2400-2483.5 MHz
Maximum Output Power for Bluetooth	8 dBm

COMBINATIONS OF CUTTING ATTACHMENTS, DEFLECTORS, AND CARRYING SYSTEMS

Cutting attachment	Debris guard	Barrier bar	Carrying system
- 4" Trimmer head (KAC100 / KAC106) - 5" Trimmer head (KAC101) (Optional, not included)	- compact trimmer head guard (KAC184)	- Optional	- Shoulder strap (KAC130) - Backpack battery
- Knife blade (KAC171)	- compact blade guard (KAC185)	- Required	- Backpack battery Harness (KAC900)

Positec USA, Inc. Charlotte, NC 28216 USA

TABLA DE CONTENIDO

Introducción.....	18
Lista de componentes.....	19
Seguridad del producto.....	21
Ensamble & Funcionamiento.....	26
Transporte.....	29
Mantenimiento.....	29
Limpieza.....	31
Almacenamiento.....	31
Solución de problemas.....	31
Datos técnicos.....	32

ES

INTRODUCCIÓN

Estimado Cliente,

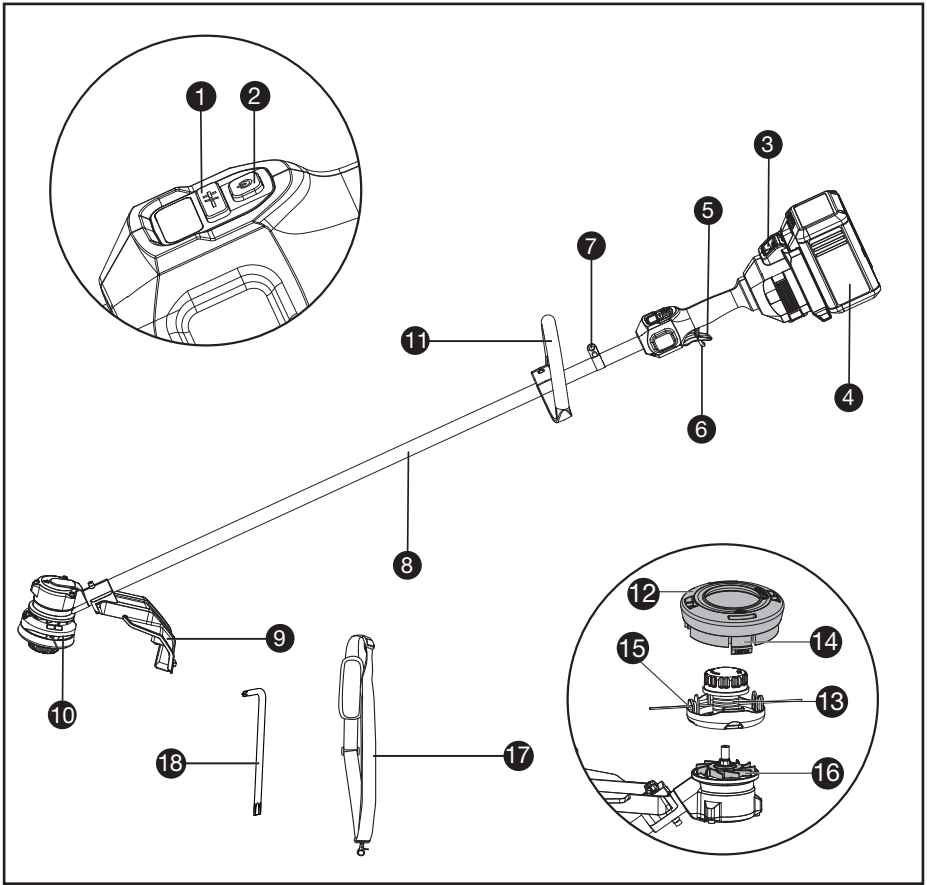
Gracias por comprar este producto Kress Comercial. Nos dedicamos a desarrollar productos de alta calidad para satisfacer sus necesidades de paisajismo comercial.

Kress respalda un servicio de calidad superior. Durante la vida útil de su producto, si tiene alguna pregunta o duda sobre su producto, póngase en contacto con su distribuidor o con nuestro equipo de atención al cliente para que reciba asistencia.

Esperamos que disfrute trabajar con su producto Kress.

USO PREVISTO

Esta máquina está pensada para cortar la hierba y la maleza alta que no se puede alcanzar con un cortacésped. Esta máquina también se utiliza en zonas con pendientes no propicias para la siega.



LISTA DE COMPONENTES

- | | |
|-----|---|
| 1. | CONTROL DE VELOCIDAD |
| 2. | INTERRUPTOR DE ENCENDIDO/APAGADO |
| 3. | LENGÜETAS DE LIBERACIÓN DE LAS BATERÍAS |
| 4. | PAQUETE DE BATERÍAS * |
| 5. | GATILLO ACCELERADOR |
| 6. | PALANCA DE DESBLOQUEO DE SEGURIDAD |
| 7. | MONTAJE DE CORREA PARA EL HOMBRO |
| 8. | VÁSTAGO |
| 9. | PROTECTOR CONTRA LOS RESIDUOS |
| 10. | CABEZA RECORTADORA |
| 11. | ASA DELANTERA |
| 12. | TAPA DEL CARRETE |

-
- 13. **CARRETE**

 - 14. **SEGURO DE LIBERACIÓN DE LA TAPA**

 - 15. **OJETE**

 - 16. **VENTILADOR**

 - 17. **BANDOLERA ***

 - 18. **LLAVE TORX**

* No todos los accesorios ilustrados o descritos se incluyen junto con el producto estándar.

SEGURIDAD DEL PRODUCTO

⚠️ ADVERTENCIA! Este producto podría contener plomo, ftalato y otros químicos identificados por el Estado de California como causantes de cáncer, defectos congénitos y otras lesiones reproductivas. Lave sus manos después de cada uso.

- El plomo de las pinturas a base de plomo.
- La sílice cristalina de los ladrillos, del cemento y de otros productos de albañilería.
- El arsénico y el cromo de la madera tratada químicamente.

El riesgo que se corre a causa del contacto con esos productos varía según la frecuencia con que usted realice este tipo de trabajos. Con el fin de reducir su exposición a esas substancias químicas: trabaje en un área bien ventilada; utilice un equipo de seguridad adecuado, tal como una máscara contra el polvo especialmente diseñada para filtrar partículas microscópicas.

⚠️ ADVERTENCIA: Este producto puede exponerlo a sustancias químicas, como plomo y di (2-etilhexilo) ftalato (DEHP), que el estado de California reconoce como causantes de cáncer y defectos de nacimiento u otros daños reproductivos. Para más información visite www.P65Warnings.ca.gov.

ADVERTENCIAS DE SEGURIDAD GENERALES PARA LA HERRAMIENTA MOTORIZADA

⚠️ ¡ADVERTENCIA! Lea y comprenda todas las instrucciones. *El no seguir todas las instrucciones a continuación puede ocasionar descargas eléctricas, incendios y/o heridas graves.*

Conserve todas las advertencias e instrucciones para consulta futura.

El término “herramienta eléctrica” que figura en todas las advertencias que aparecen a continuación hace referencia a la herramienta que funciona con la red de suministro eléctrico (con cable) o a la herramienta eléctrica accionada a baterías (sin cable).

1. Área de trabajo

- Mantenga su lugar de trabajo limpio y bien iluminado.** Bancos de trabajo desordenados y lugares oscuros invitan a los accidentes.
- No utilice herramientas eléctricas en atmósferas explosivas, como por ejemplo en presencia de líquidos, inflamables, gases o polvo.** Las herramientas eléctricas crean chispas que pueden encender el polvo o los vapores.
- Mantenga a los espectadores, niños y**

visitantes a una distancia prudente cuando esté utilizando una herramienta eléctrica. Las distracciones pueden hacerle perder el control.

2. Seguridad eléctrica

- Los enchufes de las herramientas eléctricas deben coincidir con el tomacorriente. No modifique de algún modo el enchufe. No utilice enchufes adaptadores con herramientas eléctricas conectadas a tierra.** *Si no se modifican los enchufes y se utilizan los tomacorrientes adecuados, se reducirá el riesgo de una descarga eléctrica.*
- Evite el contacto del cuerpo con las superficies conectadas a tierra tales como tuberías, radiadores, estufas de cocina y refrigeradores.** *Existe mayor riesgo de que se produzcan descargas eléctricas si su cuerpo está conectado a tierra.*
- No utilice la máquina en condiciones de lluvia o humedad. Esto puede aumentar el riesgo de descarga eléctrica.** *Si se moja con la lluvia durante el funcionamiento, la máquina y la batería deben secarse antes de guardarse o cargarse. Retire la batería y vuelva a insertarla si la máquina no se enciende. Mantenga la conexión de la batería libre de suciedad y residuos, y límpiela con un cepillo o paño suave y seco.*
- No abuse del cable. Nunca use el cable para transportar las herramientas ni para sacar el enchufe de un tomacorriente.** Mantenga el cable alejado del calor, el aceite, los bordes afilados o las piezas móviles. *Los cables dañados aumentan el riesgo de que se produzcan descargas eléctricas.*
- Cuando opere una herramienta eléctrica en exteriores, use un cable de extensión adecuado para uso en exteriores.** *El uso de un cable adecuado para uso en exteriores reduce el riesgo de descargas eléctricas.*
- Si operar una herramienta eléctrica en un lugar húmedo es inevitable, use un elemento protegido del dispositivo de corriente residual (RCD).** *El uso de un RCD reduce el riesgo de descargas eléctricas.*

3. Seguridad personal

- Manténgase alerta, fíjese en lo que está haciendo y use el sentido común cuando utilice una herramienta eléctrica. No use la herramienta cuando esté cansado o se encuentre bajo la influencia de drogas, alcohol o medicamentos.** *Un momento de distracción al utilizar herramientas eléctricas puede dar lugar a lesiones personales graves.*
- Utilice equipo de seguridad. Use siempre protección ocular.** *La utilización del equipo de seguridad como máscara antipolvo, zapatos de seguridad antideslizantes, casco o protección auditiva para condiciones adecuadas reducirá el riesgo de lesiones personales.*
- Evite el arranque accidental. Asegúrese de que el interruptor esté en la posición de**

trabado o de apagado antes de instalar el paquete de baterías. *Transportar herramientas con el dedo en el interruptor o instalar el paquete de batería cuando el interruptor está encendido invitan a los accidentes.*

- d) **Retire las llaves o claves de ajuste antes de encender la herramienta.** *Una llave o clave de ajuste dejada en una parte giratoria de la herramienta puede causar una lesión personal.*
- e) **No intente alcanzar demasiado lejos.** **Mantenga un apoyo de los pies y un equilibrio adecuados en todo momento.** *El apoyo de los pies y el equilibrio adecuados permiten un mejor control de la herramienta en situaciones inesperadas.*
- f) **Vístase apropiadamente. No se ponga ropa holgada ni joyas.** **Mantenga su cabello, ropa y guantes alejados de las piezas móviles.** *La ropa holgada, las joyas o el pelo largo pueden quedar atrapados en las piezas móviles.*
- g) **Si se proporcionan dispositivos para la extracción y recolección de polvo, asegúrese que estos estén conectados y utilizados correctamente.** *El uso de estos dispositivos puede reducir peligros relacionados con el polvo.*
- h) **No permita que la familiaridad obtenida a partir del uso frecuente de otras herramientas le permita volverse complaciente e ignorar los principios de seguridad de la herramienta.** *Una acción descuidada puede causar lesiones severas en una fracción de segundo.*

4. Uso y cuidado de la herramienta

- a) **No fuerce la herramienta.** **Emplee la herramienta correcta para la aplicación que desea.** *La herramienta correcta hará el trabajo mejor y con más seguridad a la capacidad nominal para la que está diseñada.*
- b) **No utilice la herramienta si el interruptor no la enciende o apaga.** *Toda herramienta que no se pueda controlar con el interruptor es peligrosa y debe ser reparada.*
- c) **Desconecte la batería de la herramienta o ponga el interruptor en la posición de trabado o de apagado antes de hacer cualquier ajuste, cambio de accesorios o guardar la herramienta.** *Estas medidas de seguridad preventivas reducen el riesgo de encender la herramienta accidentalmente.*
- d) **Guarde las herramientas que no esté usando fuera del alcance de los niños y otras personas no capacitadas.** *Las herramientas son peligrosas en las manos de los usuarios no capacitados.*
- e) **Mantenga las herramientas con cuidado.** **Compruebe la desalineación o el atasco de las piezas móviles, la ruptura de piezas y cualquier otra situación que pueda afectar el funcionamiento de las herramientas.** **Si la herramienta está dañada, hágala arreglar antes de usarla.** *Muchos accidentes son causados por herramientas mantenidas*

deficientemente.

- f) **Conserve las herramientas de corte afiladas y limpias.** *Las herramientas mantenidas adecuadamente, con bordes de corte afilados, tienen menos probabilidades de atascarse y son más fáciles de controlar.*
- g) **Utilice la herramienta eléctrica, accesorios, brocas de la herramienta, etc. de acuerdo con estas instrucciones y de la manera adecuada para el tipo de herramienta eléctrica, teniendo en cuenta las condiciones de trabajo y el trabajo que se realizará.** *La utilización de la herramienta eléctrica para operaciones diferentes de aquellas para las que se encuentra diseñada podría dar lugar a una situación peligrosa.*
- h) **Mantenga las manijas y las superficies de sujeción secas, limpias y libres de aceite y grasa.** *Las manijas y superficies de sujeción resbaladizas no permiten el manejo y control seguros de la herramienta en situaciones inesperadas.*

5. Utilización y cuidado de la herramienta accionada a baterías

- a) **Una herramienta accionada a baterías que tenga baterías integradas o un paquete de baterías separado se debe recargar solamente con el cargador especificado para la batería.** *Un cargador que puede ser adecuado para un tipo de batería puede crear un peligro de incendio cuando se usa con otra batería.*
- b) **Utilice la herramienta accionada a baterías solamente con el paquete de baterías designado específicamente.** *El uso de cualquier otra batería puede crear un peligro de incendio.*
- c) **Cuando el paquete de baterías no se usa, manténgalo alejado de otros objetos metálicos como: sujetapapeles, monedas, clavos, tornillos u otros pequeños objetos de metal capaces de hacer una conexión entre los terminales.** *El cortocircuito de los terminales de una batería puede causar chispas, quemaduras o incendio.*
- d) **Bajo condiciones abusivas, la batería puede expulsar líquido; evite el contacto.** **Si ocurre un contacto accidental, enjuagar con agua.** **Si el líquido entra en contacto con los ojos, busque ayuda médica.** *El líquido expulsado por la batería puede causar irritación o quemaduras.*
- e) **No use un paquete de batería o una herramienta que esté dañada o modificada.** *Las baterías dañadas o modificadas pueden presentar un comportamiento imprevisto que resulte en incendios, explosión o riesgo de lesiones.*
- f) **No exponga un paquete de batería o herramienta a fuego o temperatura excesiva.** *La exposición a fuego o temperatura mayor a 265 °F (130 °C) pueden causar una explosión.*
- g) **Siga todas las instrucciones de carga y no cargue el paquete de batería o la herramienta**

fuera del rango de temperatura especificado en las instrucciones. Cargar inadecuadamente o en temperaturas fuera del rango especificado pueden dañar la batería e incrementar el riesgo de incendio.

6. Reparación

- a) La herramienta debe ser reparada por una persona calificada de servicio técnico y se deben utilizar partes de reemplazo idénticas. Esto asegurará el mantenimiento de la seguridad de la herramienta eléctrica.
- b) Nunca dé servicio a paquetes de batería dañados. El servicio de paquetes de batería sólo debe ser realizado por el fabricante o proveedores de servicio autorizados.

ADVERTENCIAS DE SEGURIDAD PARA DESBROZADORA Y CORTACÉSPED

- a) No utilice la máquina en condiciones meteorológicas adversas, especialmente cuando haya riesgo de rayos. Esto disminuye el riesgo de ser alcanzado por un rayo.
- b) Inspeccione minuciosamente la zona en la que se va a utilizar la máquina en busca de fauna silvestre. La fauna silvestre puede resultar herida por la máquina durante su funcionamiento.
- c) Inspeccione minuciosamente la zona donde se va a utilizar la máquina y retire todas las piedras, palos, cables, huesos y otros objetos extraños. Los objetos arrojados pueden causar lesiones personales.
- d) Antes de utilizar la máquina, inspeccione siempre visualmente que el cortador o la cuchilla y el conjunto del cortador o la cuchilla no estén dañados. Las piezas dañadas aumentan el riesgo de lesiones.
- e) Siga las instrucciones para cambiar los accesorios. Las tuercas o tornillos de fijación de la cuchilla mal apretados pueden dañar la cuchilla o provocar su desprendimiento.
- f) La velocidad nominal de giro de la cuchilla debe ser al menos igual a la velocidad máxima de giro marcada en la máquina. Las cuchillas que funcionan a una velocidad superior a la nominal pueden romperse y salir despedidas.
- g) Utilice protección para los ojos, los oídos, la cabeza y las manos. Un equipo de protección adecuado reducirá las lesiones personales causadas por los restos que salgan despedidos o por el contacto accidental con la línea de corte o la cuchilla.
- h) Durante el manejo de la máquina, lleve siempre calzado de seguridad. No utilice la máquina si está descalzo o lleva sandalias abiertas. De este modo, se reduce la

posibilidad de que los pies se lesionen al entrar en contacto con un cortador, una línea o una cuchilla en movimiento.

- i) Durante el funcionamiento de la máquina, lleve siempre pantalones largos. La piel expuesta aumenta la probabilidad de que se produzcan lesiones por el lanzamiento de objetos.
- j) Mantenga alejados a los transeúntes mientras utiliza la máquina. Los residuos arrojados pueden provocar graves lesiones personales.
- k) Utilice siempre las dos manos para manejar la máquina. Sujetar la máquina con ambas manos evitará la pérdida de control.
- l) Sujete la máquina únicamente por las superficies de agarre aisladas, ya que la línea de corte o la cuchilla pueden entrar en contacto con cables ocultos. El contacto de la línea de corte o de las cuchillas con un cable "vivo" puede hacer que las partes metálicas expuestas de la máquina estén "vivas" y podrían provocar una descarga eléctrica al operador.
- m) Mantenga siempre una posición correcta y maneje la máquina sólo cuando esté de pie en el suelo. Las superficies resbaladizas o inestables pueden provocar una pérdida de equilibrio o de control de la máquina.
- n) No utilice la máquina en pendientes excesivamente pronunciadas. Esto reduce el riesgo de pérdida de control, resbalones y caídas que pueden provocar lesiones personales.
- o) Cuando trabaje en pendientes, asegúrese siempre de pisar bien, trabaje siempre en la cara de las pendientes, nunca hacia arriba o hacia abajo, y extreme la precaución al cambiar de dirección. Esto reduce el riesgo de pérdida de control, resbalones y caídas que pueden provocar lesiones personales.
- p) Mantenga todas las partes del cuerpo alejadas del cortador, la línea o la cuchilla cuando la máquina esté en funcionamiento. Antes de poner en marcha la máquina, asegúrese de que el cortador, el hilo o la cuchilla no estén en contacto con nada. Un momento de desatención mientras se maneja la máquina puede provocar lesiones a usted o a otras personas.
- q) No utilice la máquina por encima de la altura de la cintura. Esto ayuda a evitar el contacto involuntario de la cuchilla o del cortador y permite un mejor control de la máquina en situaciones inesperadas.
- r) Al cortar la maleza o los retoños que están bajo tensión, esté atento a los retrocesos. Cuando se libera la tensión de las fibras de madera, la broza o el retoño pueden golpear al operario y/o descontrolar la máquina.
- s) Extreme las precauciones al cortar la maleza y los retoños. El material delgado puede atrapar la cuchilla y ser azotado hacia usted o desequilibrarlo.
- t) Mantenga el control de la máquina y no

toque los cortadores, líneas o cuchillas ni otras partes móviles peligrosas mientras estén en movimiento. De este modo, se reduce el riesgo de lesiones por piezas móviles.

- u) Lleve la máquina apagada y alejada de su cuerpo. Un manejo adecuado de la máquina reducirá la probabilidad de que se produzca un contacto accidental con un cortador, una línea o una cuchilla en movimiento.
- v) Al transportar o almacenar la máquina, coloque siempre la cubierta sobre las cuchillas metálicas. Un manejo adecuado de la máquina reducirá la probabilidad de un contacto accidental con la cuchilla.
- w) Utilice únicamente los cortadores, líneas, cabezales de corte y cuchillas de repuesto especificados por el fabricante. Las piezas de repuesto incorrectas pueden aumentar el riesgo de rotura y lesiones.
- x) Cuando limpie el material atascado o realice el mantenimiento de la máquina, asegúrese de que el interruptor está apagado y de que las baterías se hayan retirado. La puesta en marcha inesperada de la máquina mientras se limpia el material atascado o se realiza el mantenimiento puede provocar graves lesiones personales.

cuchilla.

- c) No utilice cuchillas desafiladas o dañadas. Las cuchillas desafiladas o dañadas aumentan el riesgo de atascarse o engancharse en un objeto, lo que provoca el tirón de la cuchilla.
- d) Mantenga siempre una buena visibilidad del material que se está cortando. El tirón de la cuchilla es más probable en zonas donde es difícil ver el material que se está cortando.
- e) Si se le acerca otra persona mientras maneja la máquina, apáguela. Existe un mayor riesgo de que otras personas resulten heridas al ser golpeadas por la cuchilla en movimiento en caso de tirón de la cuchilla.

ADVERTENCIAS DE SEGURIDAD GENERAL PARA EL PAQUETE DE BATERÍA

- a) No desensamble, abra o triture el paquete de batería.
- b) No exponga el paquete de batería a calor o fuego. Evite guardar a la luz directa del sol.
- c) No ponga en corto circuito el paquete de batería. No guarde el paquete de batería de forma aleatoria en una caja o cajón donde puedan ponerse en corto circuito entre sí o ponerse en corto circuito por otros objetos metálicos. Cuando el paquete de batería no esté en uso, manténgalo alejado de otros objetos metálicos, como sujetadores de papel, monedas, llaves, clavos, tornillos u otros objetos metálicos pequeños que puedan establecer una conexión de una terminal a otra. El corto circuito de las terminales de la batería puede causar quemaduras o incendios.
- d) No someta el paquete de batería a impacto mecánico.
- e) En el caso de fuga de la batería, no permita que el líquido entre en contacto con la piel o los ojos. Si hay contacto, lave el área afectada con bastante agua y busque atención médica.
- f) No use ningún paquete de batería que no esté diseñado para uso con el equipo.
- g) Mantenga el paquete de batería fuera del alcance de los niños.
- h) Siempre adquiera el paquete de batería recomendado por el fabricante del dispositivo para el equipo.
- i) Mantenga el paquete de batería limpio y seco.
- j) Limpie las terminales del paquete de batería con una tela seca limpia su se ensucian.
- k) El paquete de batería se necesita cargar antes del uso. Siempre use el cargador correcto y consulte las instrucciones del fabricante o el manual del equipo para saber las instrucciones correctas de carga.
- l) No deje el paquete de batería en carga

CAUSAS DEL TIRÓN DE LA CUCHILLA Y ADVERTENCIAS RELACIONADAS

El tirón de la cuchilla es un movimiento repentino de la máquina hacia los lados, hacia delante o hacia atrás, que puede producirse cuando la cuchilla se atasca o se engancha en un objeto como un árbol joven o un tocón de árbol. Puede ser lo suficientemente violento como para hacer que la máquina o el operador sean impulsados en cualquier dirección, y posiblemente perder el control de la máquina. El tirón de la cuchilla y los peligros que conlleva pueden evitarse tomando las precauciones adecuadas que se indican a continuación.

- a) Mantenga un agarre firme con ambas manos en la máquina y coloque los brazos para resistir el tirón de la cuchilla. Coloque su cuerpo hacia el lado izquierdo de la máquina. El tirón de la cuchilla puede aumentar el riesgo de lesiones debido al movimiento inesperado de la máquina. El tirón de la cuchilla puede ser controlado por el operador si se toman las precauciones adecuadas.
- b) Si la cuchilla se atasca, o al interrumpir un corte por cualquier motivo, apague la máquina y manténgala inmóvil en el material hasta que la cuchilla se detenga por completo. Nunca intente retirar la máquina del material mientras la cuchilla está atascada ni arrastrar la máquina hacia atrás mientras la cuchilla está en movimiento, de lo contrario podría producirse un tirón de la cuchilla. Investigue y tome medidas correctivas para eliminar la causa del atascamiento de la

prolongada cuando no esté en uso.

- m) Después de periodos prolongados de almacenamiento, puede ser necesario cargar y descargar el paquete de batería varias veces para obtener el desempeño máximo.
- n) Recargue únicamente con el cargador especificado por Kress. No use cargadores que no sean los específicamente suministrados para uso con el equipo.
- o) Conserve la literatura del producto original para referencia futura.
- p) Sólo use el paquete de batería en la aplicación para la que está diseñado.
- q) Retire el paquete de batería del equipo cuando no esté en uso.
- r) Deséchelo adecuadamente.
- s) No mezcle celdas de diferente fabricación, capacidad, tamaño o tipo dentro del dispositivo.
- t) Mantenga la batería lejos de microondas y no la someta a altas presiones.

no hay garantía de que no causará interferencia en una instalación específica. Si este equipo provoca interferencia dañina a la recepción de radio o televisión, lo cual se puede determinar encendiendo y apagando el equipo, se alienta al usuario para que intente corregir la interferencia mediante una o más de las siguientes medidas:

- Reorientar o reubicar la antena receptora.
- Aumentar la separación entre el equipo y el receptor.
- Conectar el equipo a una toma de corriente de un circuito diferente al que está conectado el receptor.
- Consultar al distribuidor o a un técnico de radio/televisión con experiencia para que le ayude.





CONSERVE ESTAS INSTRUCCIONES

REQUISITOS DEL MANUAL DE USUARIO DEL PRODUCTO INALÁMBRICO

- a) Este dispositivo cumple con la Parte 15 de las Regulaciones de la FCC. Su utilización está sujeta a las dos condiciones siguientes:
 - (1) Este dispositivo no puede provocar interferencia dañina, y
 - (2) Este dispositivo debe admitir cualquier interferencia recibida, incluso interferencia que pueda provocar un funcionamiento no deseado.
- b) Precaución: Los cambios o modificaciones a esta unidad no autorizados expresamente por la parte responsable de la conformidad podrían anular la autoridad del usuario a utilizar este equipo.
- c) Este dispositivo contiene transmisores/ receptores exentos de licencia que cumplen las RSS de exención de licencia del Ministerio de Industrias de Canadá. Su utilización está sujeta a las dos condiciones siguientes:
 - (1) Este dispositivo no puede provocar interferencia.
 - (2) Este dispositivo debe admitir cualquier interferencia, incluso interferencia que pueda provocar un funcionamiento no deseado del dispositivo.
- d) NOTA: Este equipo ha sido probado y se comprobó que cumple con los límites para un dispositivo digital Clase B, de conformidad con la Parte 15 de las Regulaciones de la FCC. Estos límites están diseñados para proporcionar una protección razonable contra las interferencias perjudiciales en una instalación residencial. Este equipo genera, usa y puede radiar energía de radiofrecuencias y, si no se instala y usa de acuerdo con las instrucciones, puede provocar interferencia dañina a las radiocomunicaciones. No obstante,

SÍMBOLOS

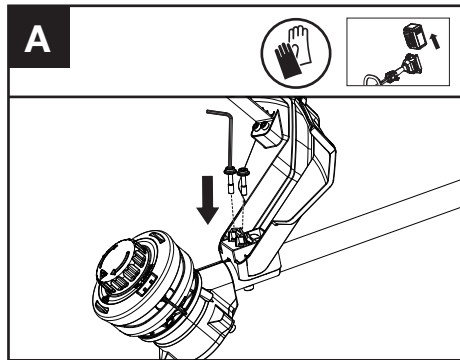
	Para reducir el riesgo de lesiones, el usuario deberá leer el manual de instrucciones
	Utilice protección para los ojos, los oídos y la cabeza
	Utilice calzado antideslizante
	ADVERTENCIA: La distance entre la machine et les personnes doit être d'au moins 50 pi (15 m)
	ADVERTENCIA: Méfiez-vous des objets projetés
	ADVERTENCIA: Cuidado con el tirón de la cuchilla
	ADVERTENCIA: Débranchez la batterie avant l'entretien
	Use siempre unos guantes de protección
	Batería de iones de litio. La batería deberá reciclarse.

	No arrojar al fuego
	Las baterías pueden entrar al ciclo de agua si se desechan incorrectamente, lo que puede ser peligroso para el ecosistema. No deseche las baterías de desperdicio como desperdicio municipal sin clasificar.
	Asegúrese de extraer la batería antes de cambiar los accesorios.
	Desmalezado



call2recycle

Positec Inc. ha establecido una asociación con la empresa RBRC para el reciclaje de todas las baterías Positec que posean el sello RBRC-call2recycle. Para contribuir con la protección del medio ambiente, no deseche las baterías como residuos normales. Después de que haya finalizado el ciclo de vida útil de la batería, comuníquese al 1-800-822-8837 para acceder al servicio gratuito.



Ensamblaje del asa delantera (Vea la Fig. B1, B2, B3, B4)

1. Coloque el Mango Delantero en el eje de la recortadora de césped y asegúrelo con el Separador del Mango Delantero.
2. Inserte el tornillo y coloque la perilla sueltamente.
3. Ajuste el Mango Delantero a la posición deseada, entre las dos marcas de límite, y luego apriete la perilla en sentido horario para asegurarlo.

ADVERTENCIA! Al ensamblar el Mango Delantero, alinee la flecha del Mango Delantero con la etiqueta. (Vea la Fig. B4)

ADVERTENCIA! Ajuste el mango delantero como deseado para asegurarse de que su brazo delantero esté derecho cuando use la recortadora.

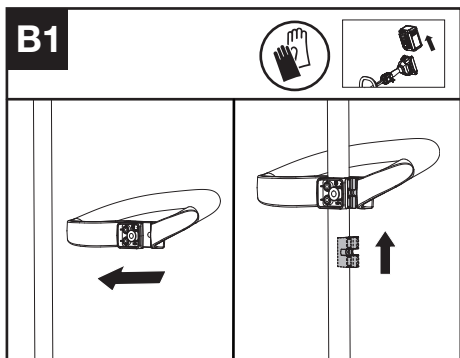
ENSAMBLE & FUNCIONAMIENTO

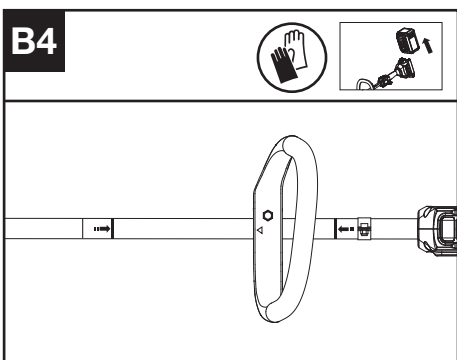
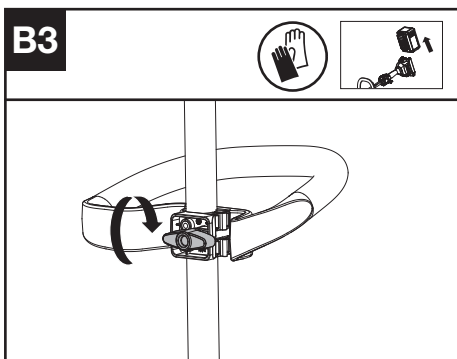
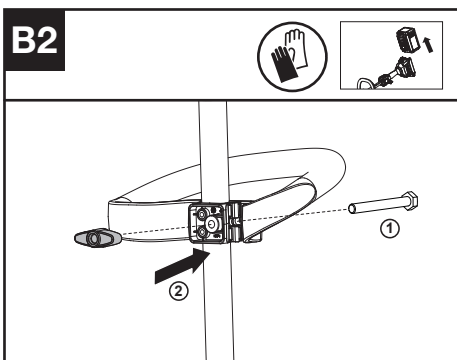
NOTA: Antes de usar la herramienta, lea atentamente el manual de instrucciones.

ANTES DEL FUNCIONAMIENTO:

Ensamblaje del protector contra los residuos (Vea la Fig. A)

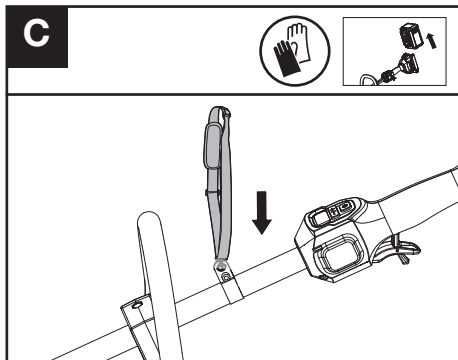
1. Instale el Protector contra los Residuos correcto para el cabezal de corte.
2. Asegure el protector en su lugar usando el tornillo y la llave Torx.



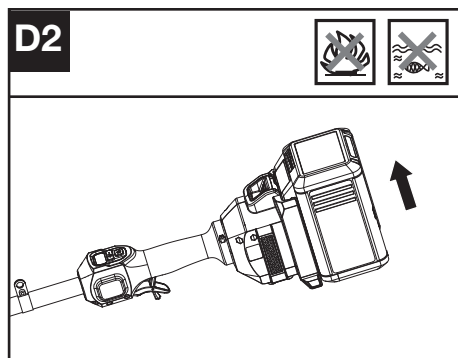
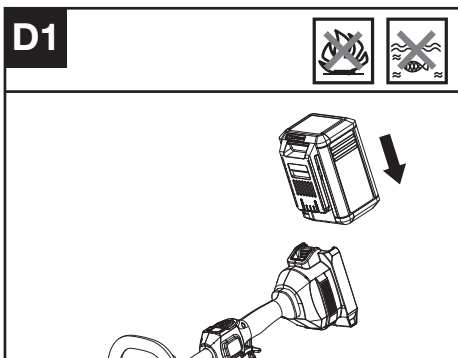


**Ajustar la bandolera (vendida por separado)
(Vea la Fig. C)**

1. Ajuste la longitud de la bandolera para que se asegure de que el mosquetón esté aproximadamente una mano debajo de la parte superior de su cadera.
2. Conecte el mosquetón de la bandolera al punto de montaje en el vástago de la cortadora.



Instalación y extracción de la batería (Vea la Fig. D1, D2)

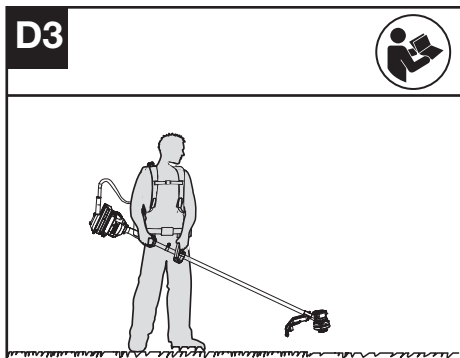


1. Deslice el paquete de baterías en el compartimento de la batería hasta que oiga un clic.
2. Presione el botón de liberación de la batería para liberar el paquete de baterías de su herramienta.

Conectar con el arnés mochila (Vea la Fig. D3)

La recortadora se puede conectar con un arnés de mochila accesorio (no suministrado) y un kit de peso (no suministrado). Consulte el manual del arnés de

mochila para obtener más información.

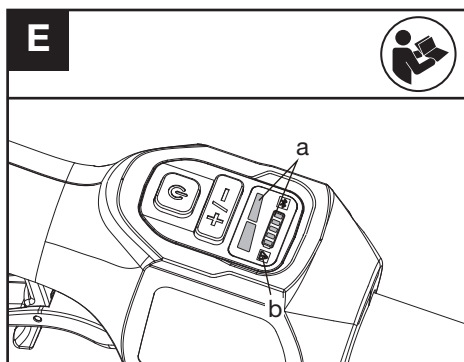


PROBAR LA CORTADORA Y LA BATERÍA (Vea la Fig. E)

Comprobar los controles

Palanca de Desbloqueo de Seguridad y Gatillo del Acelerador

1. Retire la batería.
2. Intente presionar el Gatillo del Acelerador. Si el Gatillo del Acelerador se puede presionar sin empujar la Palanca de Desbloqueo de Seguridad, la Palanca de Desbloqueo de Seguridad está defectuosa. Deje de usar la recortadora y comuníquese con el agente de servicio.
3. Presione primero la Palanca de Desbloqueo de Seguridad y luego el Gatillo del Acelerador.
4. Suelte el Gatillo del Acelerador y la Palanca de Desbloqueo de Seguridad. Si el Gatillo del Acelerador o la Palanca de Desbloqueo de Seguridad quedan atascados y no pueden volver a su posición original, deje de usar la recortadora y comuníquese con el agente de servicio.



Comprobar la pantalla

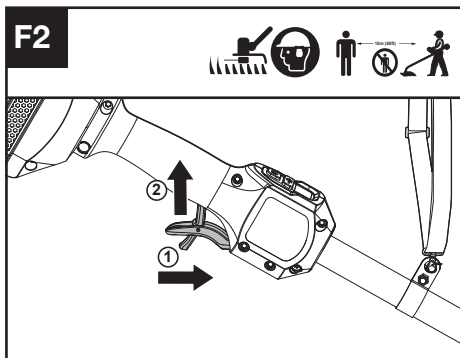
1. Inserte la batería.
2. Mantenga presionado el Interruptor de Encendido/Apagado.
El producto se enciende cuando el LED (a) se ilumina.

El producto se apaga cuando el LED (a) se apaga.

3. Presione primero la Palanca de Desbloqueo de Seguridad y luego presione el Gatillo del Acelerador para poner en marcha la máquina. La cabeza de la recortadora gira.
4. Si el indicador de advertencias (b) se enciende o parpadea, busque soluciones en la sección **Solución de problemas**.
5. Libere el Gatillo Acelerador. El Cabezal de Corte deja de girar después de un breve retardo. Si el Cabezal de Corte continúa girando, retire la batería y comuníquese con el agente de servicios.

FUNCIONAMIENTO:

Arrancar la cortadora (Vea las Fig. F1, F2)



1. Sostenga firmemente la cortadora con su mano derecha en el asa de control; doble su pulgar alrededor del asa. Sostenga la cortadora con su mano izquierda en el asa auxiliar; doble su pulgar alrededor del asa.
2. Mantenga presionado el Interruptor de Encendido/Apagado hasta que se encienda el LED verde. El LED verde muestra el nivel de energía.
3. Presione primero la Palanca de Desbloqueo de Seguridad y luego presione el Gatillo del Acelerador para encender la máquina.

NOTA: La Palanca de Desbloqueo de Seguridad está diseñada para evitar operaciones accidentales. Al presionar la Palanca de Desbloqueo de Seguridad, se libera el Gatillo del Acelerador.

Seleccionar la velocidad

En dependencia de la aplicación, se pueden establecer 2 Niveles de Potencia. Use +/- para controlar la velocidad. Los LED indican el nivel de potencia seleccionado. Cuanto mayor sea el nivel de potencia, tanto más rápido puede funcionar el accesorio de corte.

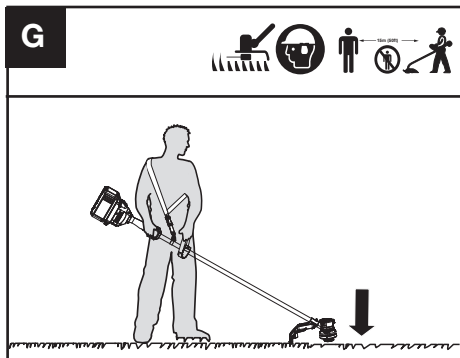
Detener la cortadora

Libere el Gatillo Acelerador para detener la máquina.

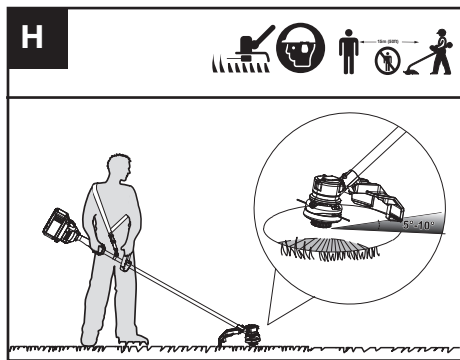
⚠ ADVERTENCIA! La cabeza de corte continúa girando luego de haber apagado la bordeadora. Espere a que se detenga y luego suelte la herramienta.

Sistema de alimentación del cabezal de corte (Vea la Fig. G)

La recortadora está equipada con un sistema de línea en relieve. Simplemente golpee el cabezal de la recortadora mientras la máquina esté funcionando, y se alimentará de la nueva línea.



Consejos para el corte (Vea la Fig. H)



1. Mueva la recortadora de lado a lado a través del área a cortar.
2. Use la punta de la línea de corte para realizar el corte; no fuerce el cabezal de la cortadora dentro de la hierba sin cortar.
3. Las cercas de alambre y estacas pueden provocar el desgaste extra y la rotura de la línea de corte. Los muros de piedras y ladrillos, los bordillos y la madera pueden desgastar rápidamente la línea de corte.
4. Evite los árboles y matorrales. La corteza de los árboles, las molduras de madera, los revestimientos exteriores y los postes de cerca se pueden dañar fácilmente por la línea de corte.
5. El nivel de potencia seleccionado afecta el tiempo de funcionamiento de la batería. Cuanto más bajo sea el nivel de potencia, tanto más largo será el tiempo de funcionamiento. Se recomienda usar el nivel de potencia más bajo excepto en el peor estado de corte.

Para herramientas de batería

El rango de temperatura ambiente para uso y almacenamiento de la herramienta y la batería es de -4°F~113°F (-20°C~45°C).

El rango de temperatura ambiente recomendado para el sistema de carga durante la carga es de 23°F~113°F (-5°C~45°C).

ES

TRANSPORTE

Transportar la cortadora

1. Apague la cortadora y retire la batería.
2. Cuando transporte su cortadora a mano, sostenga el medio del vástago con el cabezal de corte hacia atrás y asegúrese de que su máquina esté paralela al suelo.
3. Cuando transporte su cortadora en un vehículo, colóquela y asegúrela para impedir que se mueva o se dañe.

Transportar la batería

1. Asegure que la batería está en un estado seguro.
2. Use envoltura no conductora cuando transporte la batería.
3. Las baterías de Li-Ion contenidas están sometidas a las exigencias legislativas para las mercancías peligrosas.

Transporte las baterías solo cuando la carcasa de las baterías esté en buen estado. Empaque las baterías de tal manera que no se puedan mover dentro del empaque.

MANTENIMIENTO

⚠ ¡ADVERTENCIA! Siempre retire la batería antes de realizar cualquier mantenimiento en la cortadora.

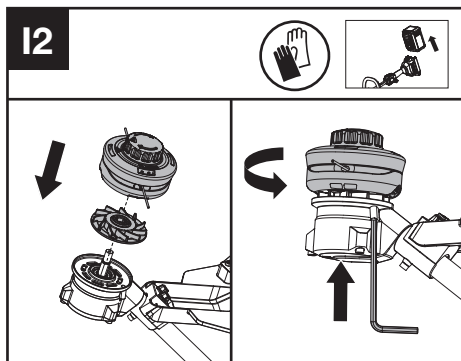
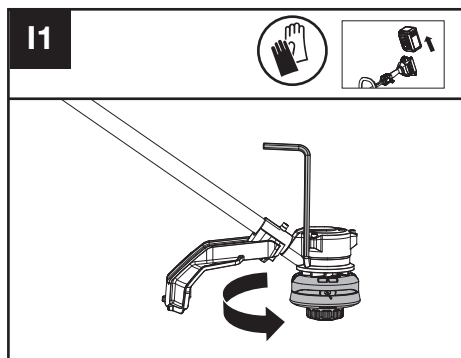
Montaje y extracción del cabezal del corte (Vea la Fig. I1, I2)

¡ADVERTENCIA! No está autorizado el uso de cables o líneas reforzadas con metal y podría ser extremadamente peligroso. Utilice sólo la línea de corte recomendada en este manual, en combinación con el protector de residuos recomendado.

¡ADVERTENCIA! Un cabezal de corte dañado o suelto puede vibrar, agrietarse, romperse o desprenderse de la cortadora, lo que puede provocar lesiones graves o mortales o daños materiales. Asegúrese de que el cabezal de corte está bien apretado y en buen estado antes de empezar a trabajar.

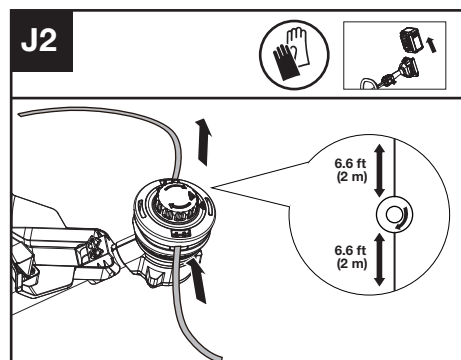
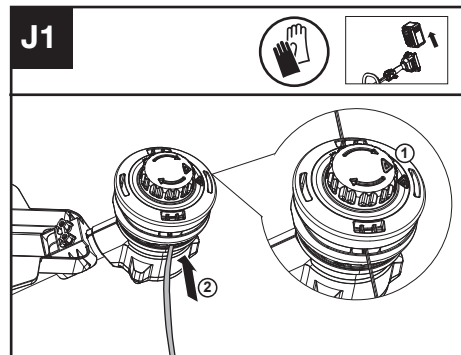
1. Inserte la llave Torx en el agujero y gire la cabeza de la recortadora para quitarla.
2. Coloque el Ventilador y la nueva cabeza de corte. Inserte la llave Torx en el agujero y gire la cabeza de la recortadora en sentido antihorario hasta que se detenga en una posición bloqueada.

¡ADVERTENCIA! Al instalar el Ventilador, asegúrese de que el lado con el indicador "Outside" esté orientado hacia afuera.

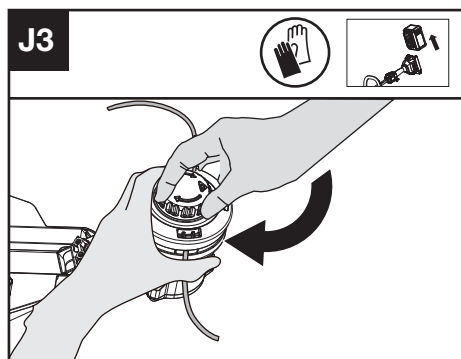


Winding the line (See Fig. J1, J2, J3)

1. Gire la tapa del carrete para alinear los dos iconos triangulares. (Vea la Fig. J1)



2. Inserte la línea de recambio a través del ojal (Entrada de Línea) y sáquela a través del otro ojal. Asegure que ambos extremos de la línea estén parejos en cada extremo del cabezal de corte (se recomienda 6.6 pies (2 m)) y corte la línea. (Vea la Fig. J2)
3. Gire el dial en sentido horario para bobinar la línea en el carrete hasta que queden 6" (16 cm) aproximadamente en cada lado. (Vea la Fig. J3)



LIMPIEZA

1. Apague la cortadora y retire la batería.
2. No use detergentes ni solventes fuertes. Limpie la máquina después de usarla con un paño húmedo embebido en detergente neutro.
3. Mantenga la conexión de la batería libre de suciedad y residuos, y límpiela con un cepillo o paño blando y seco.
4. No rocíe agua sobre el motor ni los componentes eléctricos.
5. No use una limpiadora a presión para limpiar su máquina.

ALMACENAMIENTO

1. Retire el paquete de baterías de la cortadora antes de guardarla.
2. Si se moja con la lluvia durante el funcionamiento, la máquina y la batería deben secarse antes de guardarse o cargarse. Retire la batería y vuelva a insertarla si la máquina no se enciende.
3. Guarde la cortadora en un lugar seco, seguro e inaccesible para los niños y otras personas no autorizadas.
Retire el accesorio de corte si no lo va a usar durante mucho tiempo.
4. Guarde la batería solamente dentro de un rango de temperatura de entre 41°F (5°C) y 77°F (25°C). Por ejemplo, durante el verano no deje la batería en el auto.

SOLUCIÓN DE PROBLEMAS

La siguiente tabla incluye comprobaciones y acciones que puede realizar si la herramienta no funciona de forma correcta.



ADVERTENCIA: Apague la herramienta y extraiga la batería antes de efectuar la resolución de problemas.

CORTADORA

PROBLEMAS	POSIBLES CAUSAS	ACCIÓN CORRECTIVA
El LED indicador del nivel de batería parpadea.	Baja tensión de la batería.	Cargar la batería.
El LED de error parpadea.	Sobrecarga.	El accesorio de corte está atascado. Desactive el producto. Retire la batería. Limpie el accesorio de corte de materiales no deseados.
	Problema de temperatura.	Deje que el producto se refresque.
	El Gatillo Acelerador y el botón de Arranque/Detención están presionados a la vez.	Libere el Gatillo Acelerador. Realice de nuevo la secuencia de arranque.
	Otros problemas.	Comuníquese con el Agente de Servicios.
El producto no arranca.	Hay residuos en los conectores de la batería.	Limpie los conectores de la batería con aire comprimido o con un cepillo blando.
	Otros problemas.	Comuníquese con el Agente de Servicios.
La cortadora funciona intermitentemente.	La batería no está insertada completamente en la máquina.	Inserte completamente la batería.
	Posible problema eléctrico.	Comuníquese con el Agente de Servicios.

ES


Vibraciones/ruido excesivos.	Problema de equilibrio de la línea.	Rebobinar la línea.
	Problema del accesorio de corte. Máquina defectuosa.	Sustituya el accesorio de corte. Comuníquese con el Agente de Servicios.

BATERÍA

PROBLEMAS	POSIBLES CAUSAS	ACCIÓN CORRECTIVA
El LED de error se encendió.	La batería está descargada.	Cargar la batería. Si la batería no se carga, comuníquese con su Agente de Servicios.
	Problema de temperatura.	Use la batería en ambientes donde las temperaturas estén entre 23°F y 113°F (-5°C y 45°C) durante la carga; -4°F y 113°F (-20°C y 45°C) durante la descarga.
	Otros	Comuníquese con su Agente de Servicios.

DATOS TÉCNICOS

Denominación de tipo: **KC110 KC110.X (1-de maquinaria, representativa de Cortadora de césped sin cable)**

	KC110 KC110.X **
Voltios	60 V  MAX ***
Velocidad de corte	4500 / 5500 rpm
Diámetro del corte	16.5" (42 cm)
Diámetro del Hilo	0.095" / 0.105" (2.4 / 2.7 mm) línea de nailon
Grado de protección	IPX 4
Peso de la máquina (Herramienta descubierta)	6.6 lbs (3 kg)

** X puede ser seguido por uno o dos caracteres. Todos los modelos son iguales, excepto el número de modelo y la marca registrada. El sufijo en los modelos puede ser un número del "1" al "999" o la letra inglesa "A" a "Z" o "M1" a "M9" que significa un paquete diferente o el Varios accesorios embalados en el paquete.

*** Voltaje medido sin carga de trabajo. El voltaje inicial de la batería alcanza un máximo de 60V. El voltaje nominal es 54V.

BATERÍAS Y CARGADORES SUGERIDOS

Batería	Capacidad	Cargador	Amperios
KAC804	4.0 Ah	KAC840	25-30 A
KAC810 (Con Arnés de Mochila y Kit de Peso)	11.0 Ah		

Le recomendamos que compre sus accesorios del mismo Distribuidor que le vendió la herramienta. Consulte el empaque del accesorio para que obtenga más detalles. Su Distribuidor puede ayudarle y asesorarle.

DATOS TÉCNICOS DE LA BATERÍA (OPCIONAL)

Bandas de frecuencia para Bluetooth	2400-2483.5 MHz
Máxima potencia transmitida por Bluetooth	8 dBm

COMBINACIONES DE ACCESORIOS DE CORTE, DEFLECTORES Y SISTEMAS DE TRANSPORTE

Accesorio de corte	Protector contra los residuos	Barra barrera	Sistema de transporte
- Cabezal de corte de 4" (KAC100 / KAC106) - Cabezal de corte de 5" (KAC101) (Opcional, no incluido)	- protector compacto para la cabeza de la recortadora (KAC184)	- Opcional	- Bandolera (KAC130) - Arnés mochila para batería (KAC900)
- Hoja de cuchilla (KAC171)	- protector compacto de cuchilla (KAC185)	- Obligatorio	

Positec USA, Inc. Charlotte, NC 28216 USA

TABLE DES MATIÈRES

Introduction.....	34
Liste des éléments.....	35
Sécurité du produit.....	37
Assemblage & Fonctionnement.....	42
Transport.....	45
Entretien.....	45
Nettoyage.....	46
Stockage.....	47
Dépannage.....	47
Données Techniques.....	48

F

INTRODUCTION

Cher client,

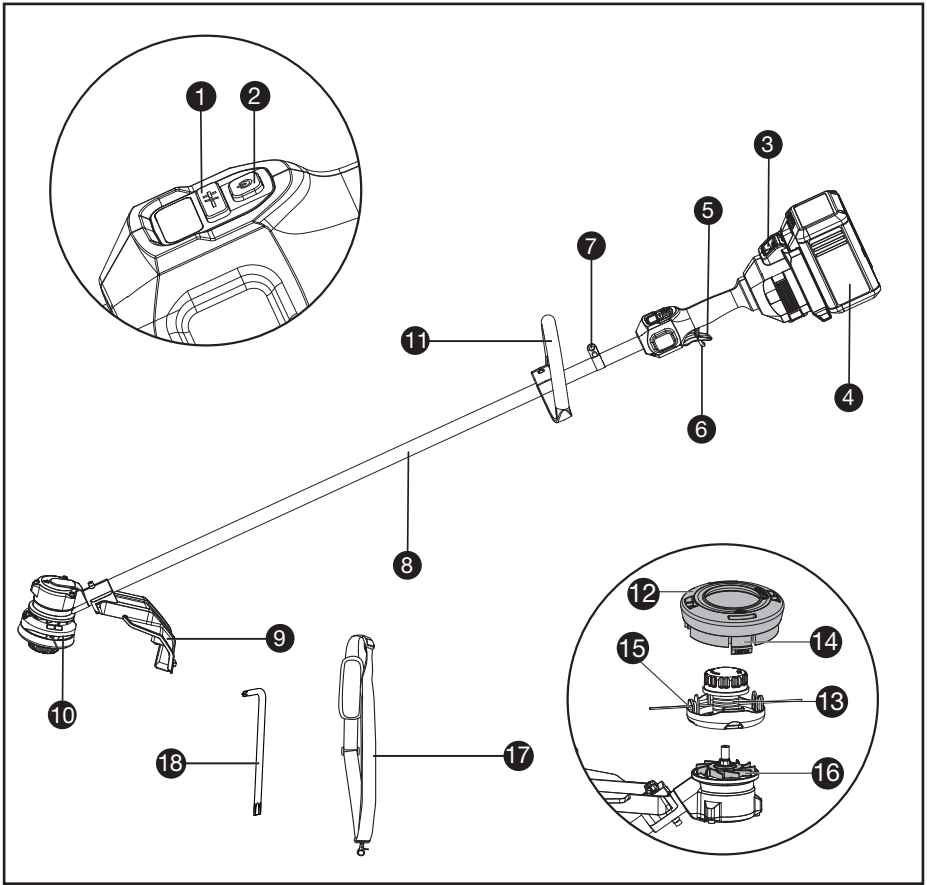
Merci d'avoir acheté ce produit Kress Commercial. Nous nous engageons à développer des produits de haute qualité pour répondre à vos besoins en matière d'aménagement paysager commercial.

Kress est synonyme de service de qualité supérieure. Au cours des années de vie de votre produit, si vous avez des questions ou des préoccupations concernant votre produit, veuillez contacter votre distributeur ou notre équipe de service à la clientèle pour obtenir de l'aide.

Nous espérons que vous aimerez travailler avec votre produit Kress.

UTILISATION PRÉVUE

Cet appareil est conçu pour couper l'herbe et les mauvaises herbes qui ne peuvent pas être atteintes avec une tondeuse. Cette machine est également utilisée dans les endroits où les pentes ne sont pas propices à la tonte.



F

LISTE DES ÉLÉMENTS

- | | |
|-----|--|
| 1. | CONRÔLE DE LA VITESSE |
| 2. | INTERRUPTEUR MARCHÉ/ARRÊT |
| 3. | BOUTON DE DÉCLENCHEMENT DU BLOC-BATTERIE * |
| 4. | BLOC-BATTERIE * |
| 5. | GÂCHETTE D'ACCÉLÉRATEUR |
| 6. | LEVIER DE DÉVERROUILLAGE DE SÉCURITÉ |
| 7. | SUPPORT DE MONTAGE DE LA BANDOULIÈRE |
| 8. | ARBRE |
| 9. | PROTECTION CONTRE LES DÉBRIS |
| 10. | TÊTE DE COUPE |
| 11. | POIGNÉE AVANT |
| 12. | CACHE-BOBINE |
| 13. | BOBINE |

14. LANGUETTE DE DÉVERROUILLAGE DU CACHE

15. CÉILLET

16. VENTILATEUR

17. BANDOULIÈRE *

18. CLÉ TORX

* Les accessoires illustrés ou décrits ne sont pas tous compris dans le cadre de la livraison standard.

SÉCURITÉ DU PRODUIT



AVERTISSEMENT ! Certaines des poussières produites en utilisant des outils électriques sont considérées par l'État de Californie comme susceptibles de provoquer le cancer, des anomalies congénitales et d'autres problèmes de reproduction. Voici des exemples de ces produits chimiques :

- plomb issu de peinture à base de plomb
- silice cristalline issue de briques et du ciment et autres produits de maçonnerie
- arsenic et chrome issus de bois traité chimiquement

Votre risque de ces expositions varie en fonction de la fréquence à laquelle vous effectuez ce travail. Pour réduire votre exposition à ces produits chimiques : travaillez dans une zone bien ventilée ; portez un équipement de sécurité approuvé, tel que des masques antipoussières spécialement conçus pour éliminer les particules microscopiques par filtrage.



AVERTISSEMENT : Ce dispositif peut vous exposer aux produits chimiques notamment le plomb et le di-phthalate (de 2-éthylhexyle) (DEHP) qui sont reconnus dans l'État de Californie comme causant des cancers et des anomalies congénitales ou d'autres anomalies de la reproduction. Pour en savoir plus, veuillez consulter le site www.P65Warnings.ca.gov.

AVERTISSEMENTS GÉNÉRAUX CONCERNANT LA SÉCURITÉ DES OUTILS ÉLECTRIQUES



AVERTISSEMENT ! Lisez et assimilez toutes les instructions. Le non-respect des instructions ci-après peut entraîner un risque de choc électrique, d'incendie et/ou de blessures graves.

Conservez tous les avertissements et instructions pour pouvoir les consulter ultérieurement. L'expression « outil électrique » dans tous les avertissements énumérés ci-dessous se réfère à votre outil électrique fonctionnant sur secteur (branché) ou à batterie (sans-fil).

1. Aire de travail

- a) Veillez à ce que l'aire de travail soit propre et bien éclairée.** Le désordre et le manque de lumière favorisent les accidents.
- b) N'utilisez pas d'outils électriques dans un milieu présentant un risque d'explosion, par exemple en présence de liquides, de gaz ou de poussières inflammables.** Les outils électriques créent des étincelles qui pourraient enflammer les poussières ou les vapeurs.

- c) Gardez à distance les curieux, les enfants et les visiteurs lorsque vous travaillez avec un outil électrique.** Ils pourraient vous distraire et vous faire faire une fausse manœuvre.

2. SÉCURITÉ ÉLECTRIQUE

- a) Les fiches des outils électriques doivent correspondre aux prises murales. Ne jamais modifier la fiche de quelque façon que ce soit.** Ne pas utiliser de fiches d'adaptation avec des outils électriques mis à la terre (mis à la masse). Des fiches non modifiées et des prises qui leur correspondent réduiront le risque de choc électrique.
- b) Évitez tout contact corporel avec des surfaces mises à la terre (tuyauterie, radiateurs, cuisinières, réfrigérateurs, etc.)** Le risque de choc électrique est plus grand si votre corps est en contact avec la terre.
- c) Ne pas utiliser la machine sous la pluie ou dans des conditions humides.** Cela peut augmenter le risque de décharge électrique. Si la machine et la batterie sont exposées à la pluie pendant le fonctionnement, elles doivent être séchées avant d'être stockées ou rechargées. Retirez la batterie et réinsérez-la si la machine ne démarre pas. Veillez à ce que les raccords de la batterie soient exempts de saleté et de débris, et nettoyez-les avec une brosse ou un chiffon doux et sec.
- d) Ne maltraitez pas le cordon. Ne transportez jamais l'outil par son cordon et ne débranchez jamais la fiche en tirant sur le cordon.** N'exposez pas le cordon à la chaleur, à des huiles, à des arrêtes vives ou à des pièces en mouvement. Un cordon endommagé augmente le risque de choc électrique.
- e) Lorsque vous utilisez un outil électrique à l'extérieur, utilisez un prolongateur adapté à une utilisation en extérieur.** L'utilisation d'un cordon adapté à une utilisation extérieure réduit le risque de choc électrique.
- f) Si vous devez utiliser un outil électrique dans un endroit humide, utilisez un dispositif de courant résiduel (RCD) d'alimentation protégée.** L'utilisation d'un RCD réduit le risque de choc électrique.

3. SÉCURITÉ DES PERSONNES

- a) Restez alerte, concentrez-vous sur votre travail et faites preuve de bon sens. N'utilisez pas un outil électrique si vous êtes fatigué ou sous l'influence de drogues, d'alcool ou de médicaments.** Un instant d'inattention lors de l'utilisation d'outils électriques peut entraîner des blessures graves.
- b) Utilisez des accessoires de sécurité. Portez toujours une protection oculaire.** De l'équipement de sécurité tel que le masque antipoussière, les chaussures de sécurité antidérapantes, des casques durs ou des protections antibruit utilisés dans des conditions appropriées réduiront les blessures corporelles.
- c) Évitez les démarrages accidentels. Avant**

d'insérer la batterie dans l'outil, assurez-vous que son interrupteur est en position « OFF » (Arrêt) ou verrouillée. Le fait de transporter un outil avec le doigt sur la détente/l'interrupteur ou d'insérer la batterie dans un outil dont la détente est en position « ON » (Marche) peut causer un accident.

d) Retirer les clés de réglage avant de mettre l'outil sous tension. Une clé restée attachée à une partie mobile de l'outil pourrait entraîner des blessures corporelles.

e) Ne vous penchez pas trop en avant. Maintenez un bon appui et restez en équilibre en tout temps. Une bonne stabilité vous permet de mieux réagir à une situation inattendue.

f) Habillez-vous convenablement. Ne portez ni vêtements flottants ni bijoux. Gardez les cheveux, les vêtements et les gants éloignés des pièces en mouvement. Les vêtements flottants, les bijoux ou les cheveux longs risquent d'être happés par des pièces en mouvement.

g) Si un sac de récupération de la poussière est fourni avec un connecteur pour aspirateur, assurez vous qu'il est correctement relié et utilisé de façon appropriée. L'utilisation de ce système réduit les dangers physiques et physiologiques liés à la poussière.

h) Ne laissez pas les habitudes acquises par une utilisation fréquente d'outils relâcher votre vigilance et ignorer les principes de sécurité des outils. Une utilisation négligente peut causer des blessures graves en une fraction de seconde.

4. UTILISATION ET ENTRETIEN DE L'OUTIL

a) Ne forcez pas l'outil. Utilisez l'outil approprié à la tâche. L'outil approprié fonctionne mieux et de façon plus sécuritaire. Respectez aussi la vitesse de travail qui lui est propre.

b) N'utilisez pas un outil si l'interrupteur ne le met pas en marche ou ne peut l'arrêter. Un outil qui ne peut être contrôlé par l'interrupteur est dangereux et doit être réparé.

c) Débranchez la batterie de l'outil ou mettez son interrupteur en position « OFF » (Arrêt) ou « LOCKED » (Verrouillé) avant d'effectuer un réglage, de changer d'accessoire ou de ranger l'outil. De telles mesures de sécurité préventive réduisent le risque de démarrage accidentel de l'outil.

d) Rangez les outils hors de portée des enfants et d'autres personnes inexpérimentées. Les outils sont dangereux dans les mains d'utilisateurs novices.

e) Prenez soin de bien entretenir les outils. Soyez attentif à tout désalignement ou coincement des pièces en mouvement, à tout bris ou à toute autre condition préjudiciable au bon fonctionnement de l'outil. Si vous constatez qu'un outil est endommagé, faites-le réparer avant de vous en servir. De nombreux accidents sont causés par des outils en mauvais état.

f) Les outils de coupe doivent être toujours bien affûtés et propres. Des outils bien entretenus, dont les arêtes sont bien tranchantes, sont moins susceptibles de se coincer et plus faciles à contrôler.

g) Utilisez l'outil électrique, les accessoires et les forets etc., en conformité avec ces instructions et de la manière conçue pour le type particulier d'outil électrique, prend en compte les conditions de travail et le travail qui doit être accompli. L'emploi de l'outil électrique pour des opérations différentes de celles pour lesquelles il a été conçu pourrait entraîner une situation dangereuse.

h) Maintenez les poignées et les surfaces de prise sèches, propres et exemptes d'huile et de graisse. Des poignées et surfaces de prise glissantes ne permettent pas une manipulation et un contrôle sécurisés de l'outil dans des situations inattendues.

5. Utilisation de la batterie et entretien

a) Un outil à batterie avec batteries incorporées ou une batterie séparée doit être rechargé uniquement avec le chargeur indiqué pour la batterie. Un chargeur qui peut être adéquat pour un type de batterie peut créer un risque d'incendie lorsqu'il est utilisé avec une autre batterie.

b) Utiliser un outil à batterie uniquement avec la batterie désignée. L'emploi de toute autre batterie peut créer un risque d'incendie.

c) Lorsque la batterie n'est pas utilisée, tenez-la à l'écart d'autres objets métalliques tels que trombones, pièces de monnaie, clés, clous, vis ou autres petits objets métalliques susceptibles d'établir une connexion d'une borne à une autre. Le court-circuitage des bornes de batterie peut causer des étincelles, des brûlures, une explosion ou un incendie.

d) Dans le cadre de conditions d'abus, du fluide peut être éjecté de la batterie, évitez tout contact. Si un contact se produisait accidentellement, rincez abondamment avec de l'eau. Si le fluide touche les yeux, cherchez en plus de la mesure précédente de l'aide médicale. Le fluide éjecté de la batterie peut causer des irritations ou des brûlures.

e) N'utilisez pas une batterie ou un outil endommagé ou modifié. Les batteries endommagées ou modifiées peuvent avoir un comportement imprévisible entraînant un incendie, une explosion ou un risque de blessure.

f) N'exposez pas une batterie ou un outil au feu ou à une température excessive. Une exposition au feu ou à une température supérieure à 265 °F pourrait provoquer une explosion.

g) Respectez toutes les instructions de chargement et ne chargez pas la batterie ou l'outil en dehors de la plage de température spécifiée dans les instructions. Un chargement incorrect ou à des températures en

dehors de la plage spécifiée peut endommager la batterie et augmenter le risque d'incendie.

6. Entretien

- a) **Ayez votre outil électrique entretenu par un réparateur agréé n'utilisant que des pièces de rechange identiques.** Cela assurera que la sécurité de l'outil électrique est maintenue.
- b) **Ne jamais tenter de réparer des batteries endommagées.** L'entretien et la réparation des batteries doit uniquement être effectué par le fabricant ou par des centres de services agréés.

AVERTISSEMENTS DE SÉCURITÉ POUR LA DÉBROUSSILLEUSE

- a) **N'utilisez pas la machine par mauvais temps, surtout lorsqu'il y a un risque de foudre.** Cela diminue le risque d'être frappé par la foudre.
- b) **Inspectez minutieusement la zone pour repérer les animaux sauvages où la machine doit être utilisée.** La faune peut être blessée par la machine pendant l'utilisation.
- c) **Inspectez minutieusement la zone où la machine doit être utilisée et retirez toutes les pierres, tous les bâtons, les fils, les os et les autres objets étrangers.** Les objets projetés peuvent causer des blessures.
- d) **Avant d'utiliser la machine, inspectez toujours visuellement le système de coupe ou la lame et l'assemblage d coupe ou de lame pour vous assurer qu'ils ne sont pas endommagés.** Les pièces endommagées augmentent le risque de blessures.
- e) **Suivez les instructions pour changer les accessoires.** Le serrage inadéquat des écrous ou boulons de fixation de la lame peut endommager la lame ou la détacher.
- f) **La vitesse de rotation nominale de la lame doit être au moins égale à la vitesse de rotation maximale indiquée sur la machine.** Les lames qui tournent plus vite que leur vitesse nominale peuvent se briser et être projetées.
- g) **Portez des protections pour les yeux, les oreilles, la tête et les mains.** Un équipement de protection adéquat permet de réduire les blessures causées par des débris projetés ou un contact accidentel avec la ligne de coupe ou la lame.
- h) **Portez toujours des chaussures de sécurité lorsque vous utilisez la machine. N'utilisez pas la machine lorsque vous êtes pieds nus ou lorsque vous portez des sandales ouvertes.** Cela réduit les risques de blessures aux pieds en cas de contact avec un système de coupe, une ligne ou une lame en mouvement.
- i) **Portez toujours de longs pantalons lorsque vous utilisez la machine.** La peau exposée augmente le risque de blessures causées par des objets projetés.
- j) **Maintenez une distance adéquate avec**

les personnes pendant l'utilisation de la machine. Les débris peuvent causer des blessures graves.

- k) **Utilisez toujours vos deux mains lorsque vous utilisez la machine.** Tenir la machine avec les deux mains évite la perte de contrôle.
- l) **Tenez la machine par les surfaces de préhension isolées seulement, car la ligne de coupe ou la lame peut entrer en contact avec un câblage électrique dissimulé.** La ligne de coupe ou les lames qui entrent en contact avec un fil « sous tension » peuvent conduire le courant aux pièces métalliques exposées de la machine et causer un choc électrique.
- m) **Adopter toujours une posture stable et utiliser la machine uniquement lorsque vous êtes debout sur le sol.** Les surfaces glissantes ou instables peuvent entraîner une perte d'équilibre ou de contrôle de la machine.
- n) **Ne pas utiliser la machine sur des pentes très abruptes.** Cela réduit le risque de perte de contrôle, de glissement et de chute, ce qui peut entraîner des blessures corporelles.
- o) **Lorsque vous travaillez sur des pentes, assurez-vous de toujours bien être stable sur vos jambes, travaillez toujours en travers des pentes, ne descendez jamais et soyez extrêmement prudent lorsque vous changez de direction.** Cela réduit le risque de perte de contrôle, de glissement et de chute, ce qui peut entraîner des blessures corporelles.
- p) **Garder toutes les parties du corps loin du système de coupe, de la ligne ou de la lame lorsque la machine est en marche.** Avant de démarrer la machine, assurez-vous que le système de coupe, la ligne ou la lame ne touche rien. Un moment d'inattention pendant l'utilisation de la machine peut causer des blessures à vous-même ou à d'autres personnes.
- q) **Ne pas utiliser la machine au-dessus de la hauteur de la taille.** Cela aide à prévenir tout contact accidentel entre un système de coupe ou une lame et permet un meilleur contrôle de la machine dans des situations imprévues.
- r) **Soyez à attentif au risque de recul lorsque vous coupez des buissons ou des tiges sous tension.** Lorsque la tension dans les fibres de bois est relâchée, le buisson ou la tige peut frapper l'opérateur ou mettre la machine hors de contrôle.
- s) **Faire preuve d'une extrême prudence lors de la coupe d'un buisson et de tiges.** Les tiges peuvent s'enrouler dans la lame et vous fouetter ou vous faire perdre l'équilibre.
- t) **Maintenir le contrôle de la machine et ne pas toucher aux lignes ou aux lames de coupe et aux autres pièces mobiles dangereuses pendant qu'elles sont en mouvement.** Cela réduit le risque de blessures causées par les pièces mobiles.
- u) **Transportez l'appareil en l'éloignant de votre corps.** Une manipulation adéquate de la machine réduira le risque de contact accidentel

avec une ligne ou une lame en mouvement.

- v) **Placez toujours le couvercle sur les lames métalliques lorsque vous transportez ou rangez la machine.** Une manipulation adéquate de la machine réduira le risque de contact accidentel avec la lame.
- w) **Only use replacement cutters, lines, cutting heads and blades specified by the manufacturer.** Incorrect replacement parts may increase the risk of breakage and injury.
- x) **Utiliser uniquement des lames de rechange, des lignes, des têtes de coupe et des lames spécifiées par le fabricant.** Des pièces de rechange incorrectes peuvent augmenter le risque de rupture et de blessure.

CAUSES DE POUSSÉE DE LA LAME ET AVERTISSEMENTS CONNEXES

La poussée de la lame est un mouvement latéral, avant ou arrière soudain de la machine, qui peut se produire lorsque la lame se bloque ou s'accroche à un objet tel qu'un jeune arbre ou une souche. Elle peut être suffisamment violente pour que la machine et/ou l'opérateur soient propulsés dans n'importe quelle direction, et éventuellement perdre le contrôle de la machine.

La poussée de la lame et les risques qui y sont liés peuvent être évités en prenant les précautions appropriées indiquées ci-dessous.

- a) **Maintenez une prise ferme avec les deux mains sur la machine et positionnez vos bras pour résister à la poussée de la lame.** Placez votre corps sur le côté gauche de la machine. *La poussée de la lame peut augmenter le risque de blessure en raison du déplacement inattendu de la machine. La poussée de la lame peut être contrôlée par l'opérateur si des précautions appropriées sont prises.*
- b) **Si la lame se coince, ou si vous interrompez une coupe pour une raison quelconque, éteignez la machine et maintenez-la immobile dans le matériau jusqu'à ce que la lame s'arrête complètement.** Lorsque la lame est coincée, n'essayez jamais de retirer la machine du matériau ou de la tirer vers l'arrière pendant que la lame est en mouvement, sous peine de provoquer une poussée de la lame. *Étudiez et prenez des mesures correctives pour éliminer la cause du blocage de la lame.*
- c) **N'utilisez pas de lames émoussées ou endommagées.** *Les lames émoussées ou endommagées augmentent le risque de se coincer ou de s'accrocher à un objet, ce qui entraîne une poussée de la lame.*
- d) **Maintenez toujours une bonne visibilité du matériau en cours de coupe.** *La poussée de la lame est plus susceptible de se produire dans les zones où il est difficile de voir le matériau à couper.*
- e) **Si une autre personne s'approche de vous pendant que vous utilisez la machine,**

éteignez-la. Il existe un risque accru de blessure pour les autres personnes qui seraient frappées par la lame en mouvement en cas de poussée de la lame.

CONSIGNES GÉNÉRALES DE SÉCURITÉ CONCERNANT LA BATTERIE

- a) **Ne pas démonter, ouvrir ou déchiqueter le bloc batterie.**
- b) **Ne pas exposer le bloc batterie à la chaleur ou au feu.** Évitez de ranger la batterie dans un endroit exposé à la lumière directe du soleil.
- c) **Ne pas court-circuiter une batterie. Ne stockez pas les blocs batterie en vrac dans une boîte ou un tiroir où ils peuvent se court-circuiter ou être court-circuités par d'autres objets métalliques.** Lorsque le bloc batterie n'est pas utilisé, conservez-le loin d'autres objets métalliques, tels que des trombones, des pièces de monnaie, des clés, des clous, des vis ou d'autres objets métalliques de petite taille, qui pourraient établir une connexion d'un terminal à l'autre. Le fait de créer un court-circuit entre les bornes de la batterie peut causer des brûlures ou des incendies.
- d) **Ne pas soumettre la batterie à des chocs mécaniques.**
- e) **En cas de fuite de la batterie, ne pas laisser le liquide entrer en contact avec la peau ou les yeux.** Si un contact a été effectué, laver la zone touchée avec beaucoup d'eau et consulter un médecin.
- f) **Ne pas utiliser de batterie qui n'a pas été conçue pour être utilisée avec cet appareil.**
- g) **Maintenez la batterie hors de portée des enfants.**
- h) **Achetez toujours une batterie recommandée par le fabricant de l'appareil.**
- i) **Conservez le bloc batterie propre et sec.**
- j) **Essuyez les bornes de la batterie avec un chiffon propre et sec si elles deviennent sales.**
- k) **La batterie doit être chargée avant son utilisation. Utilisez toujours le chargeur adapté et reportez-vous aux instructions du fabricant ou au manuel de l'équipement pour suivre les instructions concernant la procédure de charge.**
- l) **Ne laissez pas le bloc batterie en charge prolongée lorsqu'il n'est pas utilisé.**
- m) **Après de longues périodes de stockage, il peut être nécessaire de charger et de décharger la batterie plusieurs fois pour obtenir des performances optimales.**
- n) **Rechargez le bloc batterie uniquement avec le chargeur spécifié par Kress. N'utilisez pas un chargeur autre que celui spécifiquement**

- conçu pour être utilisé avec l'équipement.
- o) **Conservez la documentation originale du produit pour référence ultérieure.**
 - p) **Utilisez uniquement la batterie dans l'application pour laquelle elle a été prévue.**
 - q) **Retirez la batterie de l'équipement lorsqu'il n'est pas utilisé.**
 - r) **Éliminez la batterie de façon adéquate.**
 - s) **Ne pas mélanger des cellules de fabricants, de capacités, de tailles ou de type différents dans un appareil.**
 - t) **N'exposez pas la batterie à des micro-ondes et de la haute pression.**

CONSERVEZ CES INSTRUCTIONS




EXIGENCES RELATIVES AU MANUEL D'UTILISATION D'UN PRODUIT SANS FIL

- a) Ce dispositif est conforme à la partie 15 des règles du FCC. Son fonctionnement est soumis aux deux conditions suivantes :
 - (1) Cet appareil ne doit pas causer d'interférences nuisibles, et
 - (2) cet appareil doit accepter toute interférence reçue, y compris toute interférence pouvant entraîner un fonctionnement indésirable.
- b) **AVERTISSEMENT** : Les changements ou modifications de cet appareil non expressément approuvés par la partie responsable de la conformité pourraient annuler l'autorisation de l'utilisateur à faire fonctionner l'équipement.
- c) Cet appareil contient un ou plusieurs émetteurs/récepteurs exemptés de licence qui sont conformes aux CNR d'Innovation, Sciences et Développement Économique Canada applicables aux appareils radio exempts de licence. Son fonctionnement est soumis aux deux conditions suivantes :
 - (1) Cet appareil ne doit pas causer d'interférences nuisibles.
 - (2) Cet appareil doit accepter toute interférence reçue, y compris toute interférence pouvant entraîner un fonctionnement indésirable.
- d) **REMARQUE** : Cet équipement a été examiné et s'est avéré être conforme aux limites pour un dispositif numérique de la classe B, conformément à la partie 15 des règles du FCC. Ces limites sont conçues pour assurer la protection raisonnable contre une interférence dommageable dans une installation résidentielle. Cet équipement génère, utilise et peut émettre une énergie de fréquence radio et, s'il n'est pas installé et utilisé conformément aux instructions, il peut causer des interférences nuisibles aux communications radio. Cependant, il n'y a aucune garantie que l'interférence ne se produira pas dans une installation particulière. Si cet équipement cause une interférence dommageable à un radio ou à la réception d'émissions télévisées, laquelle peut être déterminée en allumant ou éteignant l'équipement, l'utilisateur est encouragé à

- essayer de corriger l'interférence par une ou plusieurs des mesures suivantes :
- Réorienter ou replacer l'antenne de réception.
 - Augmenter la séparation entre l'équipement et le récepteur.
 - Relier l'équipement dans une prise sur un circuit différent de celui auquel le récepteur est connecté.
 - Consulter le revendeur ou un technicien expérimenté de radio/TV pour de l'aide.

SYMBOLES

	Afin de réduire les risques de blessure, l'utilisateur doit lire ce mode d'emploi
	Portez des protections pour les yeux, les oreilles et la tête.
	Portez des chaussures antidérapantes.
	AVERTISSEMENT - La distance entre la machine et les personnes présentes doit être d'au moins 15 m (50 pi)
	AVERTISSEMENT - Méfiez-vous des objets projetés
	AVERTISSEMENT - Méfiez-vous de la poussée de la lame
	Débranchez la batterie avant l'entretien
	Toujours porter des gants de protection
 Li-Ion	Batterie Li-ion. Les batteries doivent être recyclées en collecte sélective.
	Ne pas jeter au feu

	<p>Les batteries peuvent s'introduire dans le cycle de l'eau si elles sont éliminées de manière inappropriée, ce qui peut être dangereux pour l'écosystème. Ne pas éliminer les batteries usagées avec les déchets municipaux non triés.</p>
	<p>Par mesure de sécurité, enlevez la batterie avant de remplacer des accessoires.</p>
	<p>Tonte</p>



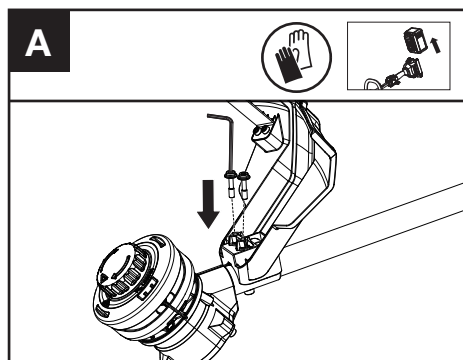
POSITEC Inc. a formé un partenariat avec RBRC Corporation pour le recyclage des batteries Positec portant le sceau RBRC-call2recycle. Pour la protection de l'environnement, veuillez à ne pas jeter les batteries aux poubelles. À la fin du cycle de vie de la batterie, appelez 1-800-822-8837 pour un service gratuit qui mettra la batterie au rebut selon les règles de l'art.

ASSEMBLAGE & FONCTIONNEMENT

REMARQUE : Avant d'utiliser cet outil, assurez-vous de lire attentivement le manuel d'utilisation.

AVANT L'UTILISATION :

Assemblage de la protection contre les débris (Voir Fig. A)



1. Installez la protection contre les débris sur la tête de coupe.

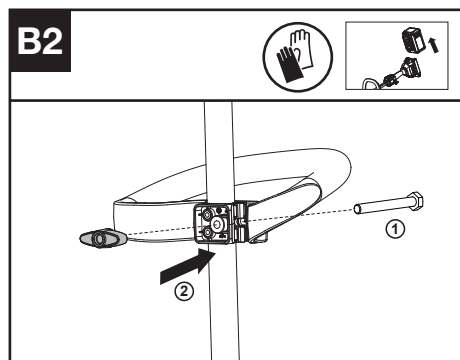
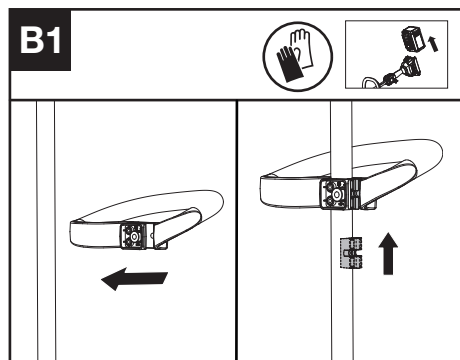
2. Fixez la protection en place à l'aide de la vis et de la clé hexagonale.

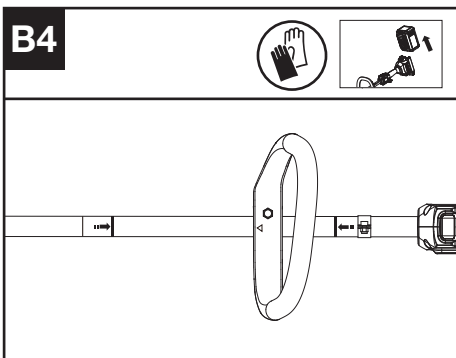
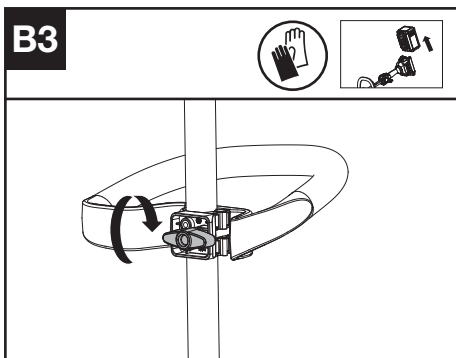
Assemblage de la poignée avant (Voir Fig. B1, B2, B3, B4)

1. Attachez la poignée avant à l'arbre de la débroussailluse et fixez-la avec l'espaceur de la poignée avant.
2. Insérez la vis et vissez le bouton légèrement.
3. Ajustez la poignée avant à la position souhaitée, entre les deux repères de limite, puis serrez le bouton dans le sens horaire pour le sécuriser.

AVERTISSEMENT ! lors de l'assemblage de la poignée avant, alignez la flèche de la poignée avant avec le repère. (Voir Fig. B4)

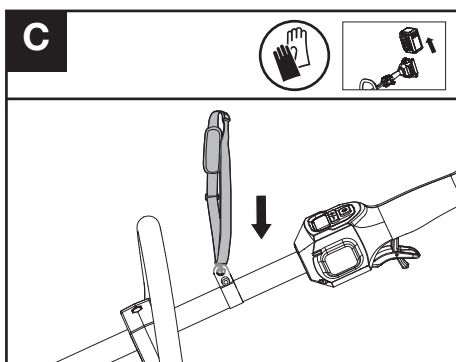
AVERTISSEMENT ! Réglez la poignée auxiliaire tant que désiré à vous assurer que votre bras avant est tendu lorsque vous utilisez la tondeuse.



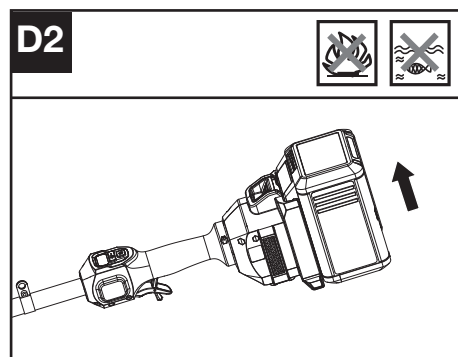
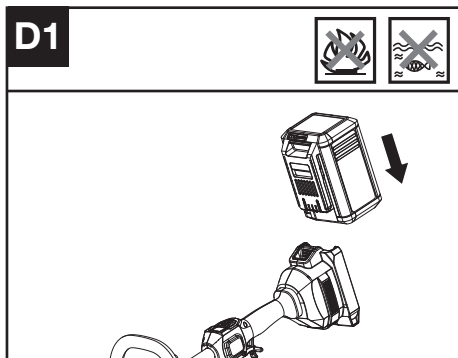


Mise en place de la bandoulière (vendue séparément) (Voir Fig. C)

1. Réglez la longueur de la bandoulière pour vous assurer que le mousqueton est à une distance d'environ une main sous votre hanche.
2. Connectez le mousqueton de la bandoulière accessoire au point de montage sur l'arbre du coupe-herbe.



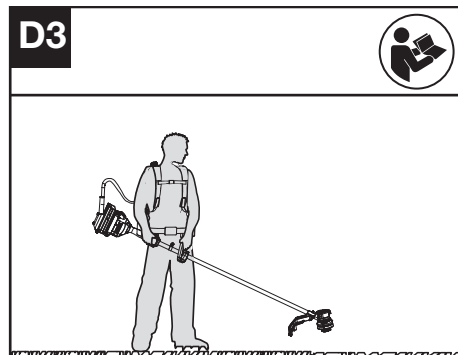
Installation et remplacement du bloc de batterie (Voir Fig. D1, D2)



1. Faites glisser la batterie dans le compartiment à batterie jusqu'à ce que vous entendiez un clic.
2. Appuyez sur le bouton de déverrouillage de la batterie pour libérer la batterie de votre outil.

Connexion avec le harnais dorsal (Voir Fig. D3)

La débroussailleuse peut être connectée à un harnais dorsal (accessoire en option) et un kit de poids (non fourni). Consultez le manuel du harnais dorsal pour plus d'informations.

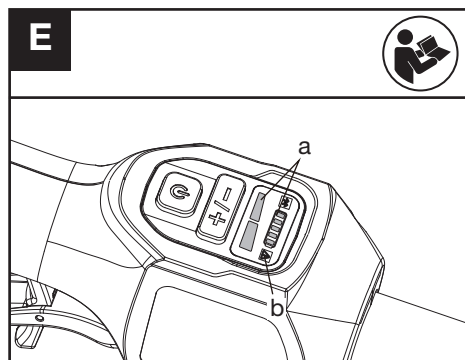


TEST DE LA DEBROUSSAILLEUSE ET DE LA BATTERIE (Voir Fig. E)

Vérification des contrôles

Levier de désactivation de sécurité et gâchette d'accélération

1. Retirez la batterie.
2. Essayez de presser la gâchette d'accélération. Si la gâchette d'accélération peut être actionnée sans pousser le levier de désactivation de sécurité, le levier de désactivation de sécurité est défectueux. Cessez d'utiliser la débroussailleuse et contactez le service après-vente.
3. Poussez d'abord le levier de désactivation de sécurité, puis appuyez sur la gâchette d'accélération.
4. Relâchez la gâchette d'accélération et le levier de désactivation de sécurité. Si la gâchette d'accélération ou le levier de désactivation de sécurité est coincé et ne peut pas revenir à sa position d'origine, cessez d'utiliser la débroussailleuse et contactez le service après-vente.



Vérification de l'affichage

1. Insérez la batterie.
2. Maintenez et appuyez sur l'interrupteur marche/arrêt. Le produit est sous tension lorsque la LED (a) est allumée. Le produit est éteint lorsque la LED (a) est éteinte.
3. Appuyez d'abord sur le levier de désactivation de sécurité, puis appuyez sur la gâchette d'accélération pour mettre la machine en marche. La tête de la débroussailleuse tourne.
4. Si le témoin d'avertissement (b) s'allume ou clignote, consultez la section **Dépannage** pour trouver des solutions.
5. Relâchez la gâchette de l'accélérateur. La tête du coupe-herbe s'arrête de tourner après un court délai. Si la tête du coupe-herbe continue de tourner, retirez la batterie et contactez le réparateur.

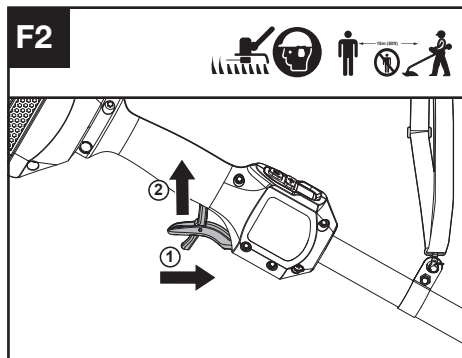
FONCTIONNEMENT :

Démarrage du coupe-herbe (Voir Fig. F1, F2)



1. Tenez fermement le coupe-herbe avec votre main droite sur la poignée de commande - enrroulez votre pouce autour de la poignée. Tenez le coupe-herbe avec votre main gauche sur la poignée auxiliaire - enrroulez votre pouce autour de la poignée.
2. Appuyez sur l'interrupteur marche/arrêt et maintenez-le appuyé jusqu'à ce que le voyant vert s'allume. Le voyant LED vert indique le niveau de puissance.
3. Appuyez d'abord sur le levier de désactivation de sécurité, puis appuyez sur la gâchette d'accélération pour démarrer la machine.

REMARQUE : Le levier de désactivation de sécurité est conçu pour éviter une utilisation accidentelle. Lorsque vous appuyez sur le levier de désactivation de sécurité, cela libère la gâchette d'accélération.



Sélection de la vitesse

En fonction de l'application, 2 niveaux de puissance peuvent être sélectionnés. Utilisez les touches +/- pour contrôler la vitesse. Les DEL indiquent le niveau de puissance sélectionné. Plus le niveau de puissance est élevé, plus l'accessoire de coupe peut fonctionner rapidement.

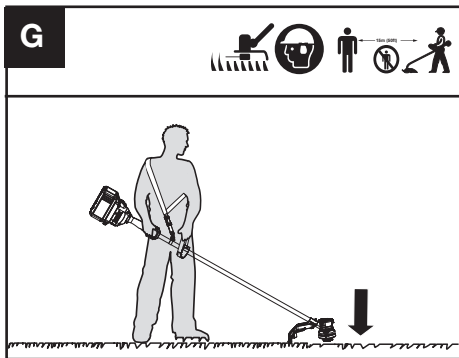
Arrêter le coupe-herbe

Relâchez la gâchette de l'accélérateur pour arrêter la machine.

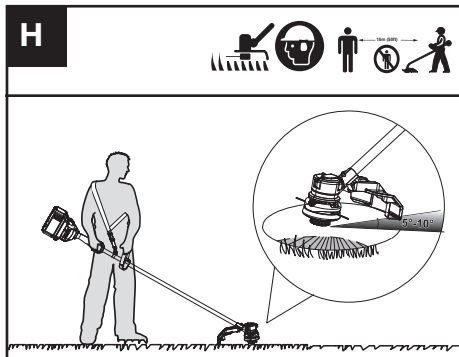
AVERTISSEMENT ! la tête coupante continue de tourner après avoir éteint l'alimentation de la tondeuse, attendez que le moteur soit complètement arrêté pour coucher l'outil.

Système d'alimentation par pression de tête (Voir Fig. G)

La tondeuse est équipée d'un système d'alimentation brutale. Il suffit de cogner la tête de coupe lorsque la machine est en marche, une nouvelle ligne sortira.



Conseils pour le débroussaillage (Voir Fig. H)



1. Déplacez la débroussailluse à l'autre de la zone à couper.
2. Utilisez la pointe de la ligne de coupe pour débroussailler ; ne forcez pas la tête de coupe dans l'herbe non coupée.
3. Les câbles et piquets de clôtures peuvent provoquer une usure rapide et une rupture de la bobine de coupe. Les murs en pierre et en brique, les trottoirs et le bois peuvent user rapidement la bobine de coupe.
4. Évitez les arbres et les arbustes. L'écorce

d'arbre, les moulures en bois, les parements et les poteaux de clôture peuvent facilement être endommagés par la ligne de coupe.

5. Le niveau de puissance sélectionné a une incidence sur l'autonomie de la batterie. Plus le niveau de puissance est faible, plus l'autonomie est longue. Il est recommandé d'utiliser le niveau de puissance le plus bas, sauf dans les pires conditions de coupe.

Pour les outils de la batterie

La plage de température ambiante pour l'utilisation et le stockage de l'outil et de la batterie est -20°C à 45°C (-4°F à 113°F).

La plage de température ambiante recommandée pour le système de charge pendant la charge est de -5°C à 45°C (23°F à 113°F).

TRANSPORT

Transport du coupe-herbe

1. Arrêtez le coupe-herbe et retirez la batterie.
2. Lorsque vous transportez votre coupe-herbe à la main, tenez-le par le milieu de l'arbre avec la tête de coupe vers l'arrière et assurez-vous que votre machine est parallèle au sol.
3. Lorsque vous transportez votre coupe-herbe dans un véhicule, fixez-le et positionnez-le pour éviter tout mouvement ou dommage.

Transport de la batterie

1. Vérifiez que la batterie est en bon état.
2. Utilisez un emballage non conducteur lors du transport de la batterie.
3. Les batteries Li-Ion contenues sont soumises aux exigences de la législation sur les marchandises dangereuses. Transportez les batteries uniquement lorsque le boîtier de la batterie n'est pas endommagé. Emballez les batteries de manière à ce qu'elles ne puissent pas bouger dans l'emballage.

ENTRETIEN

AVERTISSEMENT ! Retirez toujours la batterie avant d'effectuer tout entretien sur le coupe-herbe.

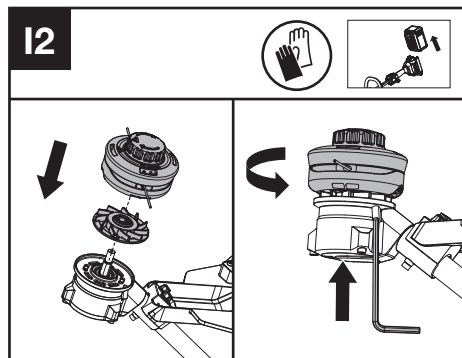
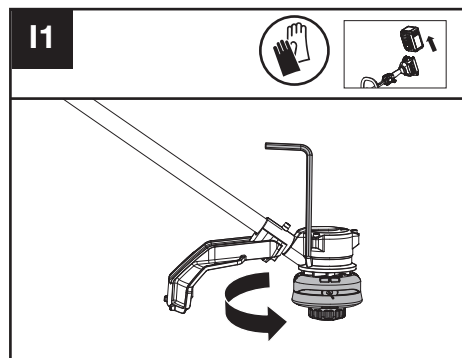
Assemblage et retrait de la tête de coupe (Voir Fig. I1, I2)

AVERTISSEMENT ! L'utilisation de fils ou de lignes renforcées de métal n'est pas autorisée et pourrait être extrêmement dangereuse. Utilisez uniquement la ligne de coupe recommandée dans ce manuel, en combinaison avec la protection contre les débris recommandée.

AVERTISSEMENT ! Une tête de coupe endommagée ou desserrée peut vibrer, se fissurer, se briser ou se détacher du coupe-

herbe, ce qui peut entraîner des blessures graves ou mortelles ou des dommages matériels.

Assurez-vous que la tête du coupe-herbe est bien vissée et en bon état avant de commencer à travailler.



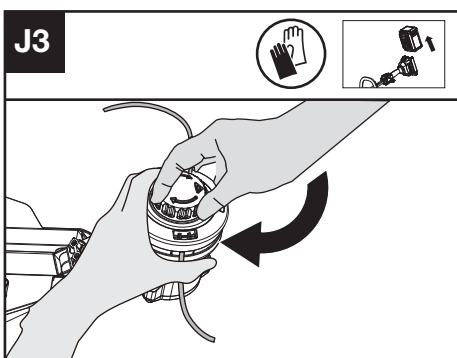
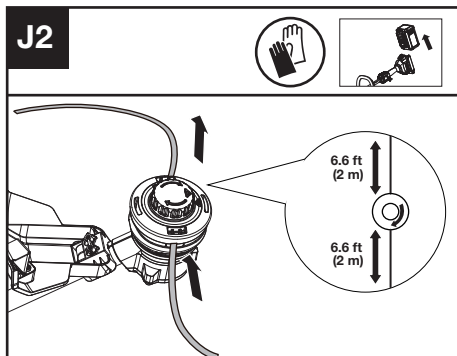
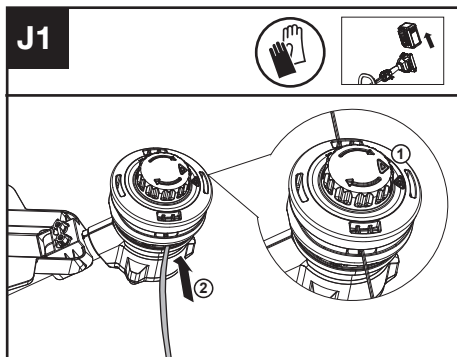
1. Insérez la clé Torx dans le trou et tournez la tête de coupe pour la retirer.
2. Montez le ventilateur et la nouvelle tête de coupe. Insérez la clé Torx dans le trou et tournez la tête de la débroussailleuse dans le sens antihoraire jusqu'à ce qu'elle s'arrête en position verrouillée.

AVERTISSEMENT : Lors de l'installation du ventilateur, assurez-vous que le côté avec l'indicateur "Outside" est orienté vers l'extérieur.

Enroulement de la ligne de coupe (Voir Fig. J1, J2, J3)

1. Faites tourner le capuchon de la bobine pour que les deux icônes triangulaires soient alignées. (Voir Fig. J1)
2. Insérez la ligne de remplacement dans l'œillet (Entrée de la ligne) et faites-la ressortir par l'autre œillet. Assurez-vous que les deux extrémités de la ligne sont égales à chaque extrémité de la tête de coupe (recommandation : 2 m (6.6 ft) et coupez la ligne. (Voir Fig. J2)
3. Tournez le cadran dans le sens des aiguilles d'une montre pour enrouler la ligne autour de la bobine jusqu'à ce qu'il reste environ 16 cm (6")

de chaque côté. (Voir Fig. J3)



NETTOYAGE

1. Arrêtez le coupe-herbe et retirez la batterie.
2. N'utilisez pas de détergents ou de solvants agressifs. Nettoyez la machine après utilisation avec un chiffon humide trempé dans un détergent neutre.
3. Veillez à ce que la connexion de la batterie soit exempte de saleté et de débris, et nettoyez-la avec une brosse ou un chiffon doux et sec.
4. Ne pas pulvériser d'eau sur le moteur ni les

composants électriques.

5. N'utilisez pas de nettoyeur haute pression pour nettoyer votre machine.

STOCKAGE

1. Retirez la batterie de la débroussailleuse avant de la ranger.
2. Si la machine et la batterie sont exposées à la pluie pendant le fonctionnement, elles doivent être séchées avant d'être stockées ou rechargées. Retirez la batterie et réinsérez-la si la machine ne démarre pas.
3. Rangez la débroussailleuse dans un endroit sec et sécurisé inaccessible aux enfants et à d'autres personnes non autorisées.
Retirez l'accessoire de coupe si vous ne l'utilisez pas pendant une longue période.
4. Entrez la batterie uniquement dans une plage de température comprise entre 5°C (41°F) et 25°C (77°F). Par exemple, ne laissez pas la batterie dans la voiture en été.

DÉPANNAGE

Le tableau suivant décrit les vérifications et les interventions que vous pouvez effectuer si votre appareil ne fonctionne pas correctement.



AVERTISSEMENT ! éteindre l'appareil et retirer la batterie avant toute tentative de réparation.

COUPE-HERBE

Problème	Causes possibles	Mesures correctives
Le voyant LED de la batterie clignote	Tension de batterie faible.	Chargez la batterie.
Le voyant LED d'erreur clignote	Surcharge.	L'accessoire de coupe est bloqué. Désactivez le produit. Retirez la batterie. Nettoyez l'accessoire de coupe de tout matériau indésirable.
	Problème de température.	Laissez le produit se refroidir.
	La gâchette de l'accélérateur et le bouton de démarrage/arrêt sont enfoncés en même temps.	Relâchez la gâchette de l'accélérateur. Répétez la séquence de démarrage.
	Autres problèmes	Contactez le réparateur.
Le produit ne démarre pas	Débris dans les connecteurs de la batterie.	Nettoyez les connecteurs de la batterie avec de l'air comprimé ou une brosse douce.
	Autres problèmes	Contactez le réparateur.
Le coupe-herbe fonctionne par intermittence.	La batterie n'est pas complètement insérée dans l'appareil.	Insérez la batterie à fond.
	Problème électrique potentiel.	Contactez le réparateur.
Vibrations/bruit excessifs.	Problème d'équilibrage de la ligne.	Rembobinez la ligne.
	Problème avec l'accessoire de coupe. Machine défectueuse.	Remplacez l'accessoire de coupe. Contactez le réparateur.


F

BATTERIE

Problème	Causes possibles	Mesures correctives
La LED d'erreur est allumée	La batterie est déchargée.	Chargez la batterie. Si la batterie ne se charge pas, contactez votre réparateur.
	Problème de température.	Utilisez la batterie dans un environnement où les températures sont comprises entre -5°C et 45°C (23°F à 113°F) pour la charge ; -20°C à 45°C (-4°F à 113°F) pour la décharge.
	Autres	Contactez votre réparateur.

DONNÉES TECHNIQUES

Désignation du type : **KC110 KC110.X (1-désignation de la machine, modèle de Taille bordure sans fil)**

	KC110 KC110.X **
Tension	60 V  MAX ***
Vitesse de coupe	4500 / 5500 rpm
Diamètre de coupe	42 cm (16.5")
Diamètre du fil	2.4 / 2.7 mm (0.095" / 0.105") fil de nylon
Indice de protection	IPX 4
Poids de l'outil (Outil nu)	3 kg (6.6 lbs)

F ** X peut être suivi d'un ou deux caractères. Tous les modèles sont identiques, sauf le numéro de modèle et la marque. Le suffixe dans les modèles peut être un nombre allant de « 1 » à « 999 » ou une lettre anglaise « A » à « Z » ou « M1 » à « M9 » qui signifie la différence entre les paquets ou les accessoires emballés dans l'emballage.

*** Tension mesurée hors fonctionnement. La tension initiale de la batterie atteint le maximum de 60 volts. La tension nominale est de 54 V.

BATTERIES ET CHARGEURS SUGGÉRÉS

Batterie	Capacité	Chargeur	Ampérage
KAC804	4.0 Ah	KAC840	25-30 A
KAC810 (Avec harnais dorsal et kit de poids)	11.0 Ah		

Nous vous recommandons d'acheter vos accessoires chez le même détaillant qui vous a vendu l'outil. Consultez l'emballage de l'accessoire pour plus de renseignements. Votre détaillant peut vous aider et vous conseiller.

DONNÉES TECHNIQUES POUR LE BLOC DE BATTERIES (EN OPTION)

Bandes de fréquences pour Bluetooth	2400-2483.5 MHz
Puissance maximale transmise pour Bluetooth	8 dBm

COMBINAISONS D'ACCESSOIRES DE COUPE, DE DÉFLECTEURS ET DE SYSTÈMES DE TRANSPORT

Accessoire de coupe	Protecteur de débris	Barrière de protection	Système de transport
<ul style="list-style-type: none"> - Tête de coupe de 10,16 cm (4 pouces) (KAC100 / KAC106) - Tête de coupe de 10,16 cm (5 pouces) (KAC101) (En option, non inclus) 	<ul style="list-style-type: none"> - Protection compact de tête de débroussailleuse (KAC184) 	<ul style="list-style-type: none"> - Facultatif 	<ul style="list-style-type: none"> - Bandoulière (KAC130) - Harnais de sac à dos de batterie (KAC900)
<ul style="list-style-type: none"> - Lame de couteau (KAC171) 	<ul style="list-style-type: none"> - Protection de lame compact (KAC185) 	<ul style="list-style-type: none"> - Requis 	

Positec USA, Inc. Charlotte, NC 28216 USA



Copyright © 2024, Positec. All Rights Reserved.
Copyright © 2024, Positec. Tous droits réservés.

© Derechos reservados 2024, Positec. Todos los derechos reservados.
AR01749300