



# Operator's Manual PAS-225/225SB/ 225VP/225VPB Pro Attachment Series™

## WARNING

*The engine exhaust from this product contains chemicals known to the State of California to cause cancer, birth defects, or other reproductive harm.*

## WARNING



*Read and understand all provided literature before use. Failure to do so could result in serious injury.*

Note: This product complies with CAN ICES-2/NMB-2.

**TABLE OF CONTENTS**

Introduction.....	3
Servicing Information.....	4
Parts and Serial Number.....	4
Service.....	4
ECHO Consumer Product Support.....	4
Product Registration.....	4
Additional Literature.....	4
Safety.....	5
Manual Safety Symbols and Important Information.....	5
Personal Condition and Safety Equipment.....	6
Equipment.....	10
Emission Control.....	12
CARB and EPA Emission Control Information.....	12
Description.....	13
Contents.....	15
Assembly.....	16
Support Handle Installation.....	16
Power Head Shaft to Lower Shaft Assembly.....	16
Balance and Adjust Unit.....	17
Operation.....	18
Fuel.....	18
Operation with Blades.....	22
Blade Selection.....	24
Starting Cold Engine.....	25
Starting Warm Engine.....	27
Stopping Engine.....	28
Applications.....	28
Operating Techniques – Nylon Line Head.....	28
Operating Techniques – Metal or Plastic Blade.....	29
Reaction Forces.....	30
Blade Cutting Problems.....	32
Edger Operation Techniques.....	33
Operating Blower.....	34
Maintenance.....	35
Skill Levels.....	36
Maintenance Intervals.....	36
Air Filter.....	38
Fuel Filter.....	38
Spark Plug.....	39
Cooling System.....	40
Exhaust System.....	41
Carburetor Adjustment.....	43
Upper Drive Shaft Lubrication.....	44
Gear Case and Lower Drive Shaft Lubrication.....	45
Nylon Line Replacement.....	47
Nylon Line Head Disassembly Instructions.....	48
Sharpening Metal Blades.....	49
Edger Lubrication.....	50
Edger Blade Replacement.....	51
Troubleshooting.....	52
Storage.....	54
Long-Term Storage (Over 30 Days).....	54
Storage Hook Installation.....	55
Specifications.....	55
ECHO Optional Attachments.....	58
Product Registration.....	60

---

## INTRODUCTION

---

Specifications, descriptions, and illustrative material in this literature are as accurate as possible. Specifications are subject to change without notice. Illustrations might include optional equipment and accessories, and might not include all standard equipment. Your equipment might appear slightly different than pictured equipment.



Read and understand all provided literature. Literature contains specifications and information for safety, operation, maintenance, storage, and assembly specific to this product. Scan QR codes for more information.



For additional literature, including safety manuals where applicable, or questions regarding terms used in this manual, visit:

<https://www.echo-usa.com/manuals>



OR

<https://www.shindaiwa-usa.com/manuals>



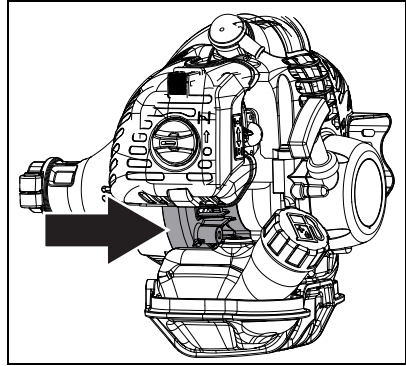
---

## SERVICING INFORMATION

---

### Parts and Serial Number

Genuine ECHO parts and assemblies for your ECHO products are available only from an Authorized ECHO Dealer. When you do need to buy parts, always have the model number and serial number of the unit with you. Image shows serial number location. For future reference write them in the space provided below.



Model No. \_\_\_\_\_ Serial No. \_\_\_\_\_

### Service

Service of this product during the warranty period must be performed by an Authorized ECHO Service Dealer. For the name and address of the Authorized ECHO Service Dealer nearest you, ask your retailer or call: 1-800-432-ECHO (3246). Dealer information is also available on our Web Site [www.echo-usa.com](http://www.echo-usa.com). When presenting your unit for Warranty service/repairs, proof of purchase is required.

### ECHO Consumer Product Support

If you require assistance or have questions concerning the application, operation, or maintenance of this product, call the ECHO Consumer Product Support Department at 1-800-432-ECHO (3246) from 8:00 a.m. to 5:00 p.m. (Central Standard Time) Monday through Friday. Before calling, please know the model and serial number of your unit.

### Product Registration

Register your ECHO equipment online at [www.echo-usa.com](http://www.echo-usa.com) or by filling out the product registration sheet included in this manual. Registering your product confirms warranty coverage and provides a direct link to ECHO if we find it necessary to contact you.

### Additional Literature

In addition to finding information online, information is available from your Authorized ECHO Service Dealer, or by contacting ECHO Incorporated, 400 Oakwood Road, Lake Zurich, IL 60047, 1-800-432-ECHO (3246).



---

## SAFETY

---

### Manual Safety Symbols and Important Information

Throughout this manual and on the product itself, you will find safety alerts and helpful, informational messages preceded by symbols or key words. The following is an explanation of those symbols and key words and what they mean to you.

#### **DANGER**

*The safety alert symbol accompanied by the word “DANGER” calls attention to an act or condition which WILL lead to serious personal injury or death if not avoided.*

#### **WARNING**

*The safety alert symbol accompanied by the word “WARNING” calls attention to an act or condition which CAN lead to serious personal injury or death if not avoided.*

#### **CAUTION**

*The safety alert symbol accompanied by the word “CAUTION” calls attention to an act or condition which might lead to minor or moderate personal injury if not avoided.*

#### **NOTICE**

*The enclosed message provides information necessary for the protection of the unit.*

Note: This enclosed message provides tips for use, care and maintenance of the unit.



#### CIRCLE AND SLASH SYMBOL

This symbol means the specific action shown is prohibited. Ignoring these prohibitions can result in serious or fatal injury.

## Personal Condition and Safety Equipment

### WARNING

**Cancer and Reproductive Harm**  
[www.P65Warnings.ca.gov](http://www.P65Warnings.ca.gov)

### WARNING



*The muffler or catalytic muffler and surrounding cover may become extremely hot. If unit is equipped with muffler, always keep clear of exhaust and muffler area, otherwise serious personal injury might occur.*

### WARNING

***Users of this product risk injury to themselves and others if the unit is used improperly and/or safety precautions are not followed. Proper clothing and safety gear must be worn when operating unit.***

#### Physical Condition

Your judgment and physical dexterity may not be good:

- If you are tired or sick
- If you are taking medication
- If you have taken alcohol or drugs

Operate unit only if you are physically and mentally well.

#### Eye Protection

### WARNING

- ◆ Eye protection that meets ANSI Z87.1 or CE requirements must be worn whenever you operate the unit.
- ◆ For additional safety, a full-face shield can be worn over safety glasses or goggles to provide protection from sharp branches or flying debris.

## **Hand Protection**

Wear sturdy, no-slip, rubber work gloves to improve your grip on the handles. Gloves also provide protection against cuts and scratches, cold environments, and reduce the transmission of machine vibration to your hands.

## **Hearing and Ear Protection**

ECHO recommends wearing personal protective equipment whenever unit is used.

## **Breathing Protection**

Operators who are sensitive to dust or other common airborne allergens may need to wear a dust mask to prevent inhaling these materials while operating unit. Dust masks can provide protection against dust, plant debris, and other plant matter such as pollen. Make sure the mask does not impair your vision, and replace the mask as needed to prevent air restrictions.

## **Proper Clothing**

Wear snug-fitting, durable clothing:

- Pants should have long legs, shirts should have long sleeves.
- DO NOT WEAR SHORTS.
- DO NOT WEAR TIES, SCARVES, JEWELRY, or clothing with loose or hanging items that could become entangled in moving parts or surrounding growth.
- Keep clothing buttoned or zipped, and keep shirt tails tucked in.
- Wear sturdy work shoes with nonskid rubber soles.
- DO NOT WEAR OPEN TOED SHOES.
- DO NOT OPERATE UNIT WITH BARE FEET.

Keep long hair away from engine and air intake. Retain hair with cap or net.

Heavy protective clothing can increase operator fatigue, which may lead to heat stroke. Schedule heavy work for early morning or late afternoon hours when temperatures are cooler.

 **WARNING**

***The components of this machine generate an electromagnetic field during operation, which can interfere with some pacemakers. To reduce the risk of serious or fatal injury, persons with pacemakers should consult with their physician and the pacemaker manufacturer before operating this machine. In the absence of such information, ECHO does not recommend the use of this machine by anyone who has a pacemaker.***

**Extended Operation and Extreme Conditions** **CAUTION**

***Prolonged exposure to cold and/or vibration can result in injury. Read and follow all safety and operation instructions to minimize risk of injury. Failure to follow instructions can result in painful wrist/hand/arm injuries.***

It is believed that a condition called Raynaud's Phenomenon, which affects the fingers of certain individuals, may be brought about by exposure to vibration and cold. Exposure to vibration and cold may cause tingling and burning sensations, followed by loss of color and numbness in the fingers. The following precautions are strongly recommended, because the minimum exposure, which might trigger the ailment, is unknown.

- Keep your body warm, especially the head, neck, feet, ankles, hands, and wrists.
- Maintain good blood circulation by performing vigorous arm exercises during frequent work breaks, and also by not smoking.
- Limit the hours of operation. Try to fill each day with jobs where operating the unit or other hand-held power equipment is not required.
- If you experience discomfort, redness, and swelling of the fingers followed by whitening and loss of feeling, consult your physician before further exposing yourself to cold and vibration.

## Repetitive Stress Injuries (RSI)

It is believed that overusing the muscles and tendons of the fingers, hands, arms, and shoulders may cause soreness, swelling, numbness, weakness, and extreme pain in those areas. Certain repetitive hand activities may put you at a high risk for developing a Repetitive Stress Injury (RSI). An extreme RSI condition is Carpal Tunnel Syndrome (CTS), which could occur when your wrist swells and squeezes a vital nerve that runs through the area. Some believe that prolonged exposure to vibration may contribute to CTS. CTS can cause severe pain for months or even years.

To reduce the risk of RSI/CTS, do the following:

- Avoid using your wrist in a bent, extended, or twisted position. Instead try to maintain a straight wrist position. Also, when grasping, use your whole hand, not just the thumb and index finger.
  - Take periodic breaks to minimize repetition and rest your hands.
  - Reduce the speed and force with which you do the repetitive movement.
- 
- Do exercises to strengthen the hand and arm muscles.
  - Immediately stop using all power equipment and consult a doctor if you feel tingling, numbness, or pain in the fingers, hands, wrists, or arms. The sooner RSI/CTS is diagnosed, the more likely permanent nerve and muscle damage can be prevented.

## **!** DANGER

***All overhead electrical conductors and communications wires can have electricity flow with high voltages. This unit is not insulated against electrical current. Never touch wires directly or indirectly, otherwise serious injury or death can result.***

## **!** DANGER

***Do not operate gas-powered products indoors or in inadequately ventilated areas. Engine exhaust contains poisonous emissions and can cause serious injury or death.***

## Read the Manuals

- Provide all users of this equipment with the Operator's Manual for instructions on Safe Operation.

## Clear the Work Area

- Spectators and fellow workers must be warned, and children and animals prevented from coming nearer than 15 m (50 ft.) while the unit is in use.
- Take wind conditions into account: avoid open doors and windows.
- Do not point blower at people or animals.
- Review area to be cleared. Look for potential hazards such as stones or metal objects.

## Keep a Firm Grip

- Always hold throttle handle and support handle with thumbs and fingers tightly encircling the handles.

## Keep a Solid Stance

- Maintain footing and balance at all times. Do not stand on slippery, uneven or unstable surfaces. Do not work in odd positions or on ladders. Do not overreach.

## Avoid Hot Surfaces

- During operation, the drive shaft housing and attachment bearing housing may become very hot, too hot to touch. Avoid contact during and immediately after operation.



## Equipment

### **WARNING**

***Use only ECHO attachments. Serious injury may result from the use of a non-approved attachment combination. ECHO Incorporated will not be responsible for the failure of cutting devices, attachments or accessories which have not been tested and approved by ECHO. Read and comply with all safety instructions.***

- ◆ Do not attempt to modify this product. Serious injury can result from the use of any modified product.
- ◆ Check unit for loose or missing nuts, bolts, and screws. Tighten or replace as needed.

- ◆ Inspect shield for damage and ensure that shield is properly installed, and that the cutoff knife is securely in place. Replace if either is damaged or missing.
- ◆ Check that the cutting attachment is firmly attached and in safe operating condition.
- ◆ Manufacturer recommended flexible non-metallic line is installed in the trimmer head.
- ◆ Assure that throttle trigger, throttle trigger lockout, and stop switch all work properly.
- ◆ Check that handle and harness (if included) are installed and adjusted for safe, comfortable operation. See Assembly Section for proper adjustment.

## WARNING

*Moving parts can amputate fingers or cause severe injuries. Keep hands, clothing and loose objects away from all openings.*

- ◆ Always stop unit, disconnect spark plug or remove battery and make sure all moving parts have come to a complete stop before assembling unit, removing obstructions, clearing debris, or servicing unit.
- ◆ Do not connect spark plug lead to spark plug until unit is ready for use.
- ◆ Do not start or operate unit unless all guards and protective covers are properly assembled to unit.
- ◆ Never reach into any opening while the unit is running. Moving parts may not be visible through openings.
- ◆ Position wiring safely to prevent snagging, separation of connectors, or breakage during operation. Gather excess wire, and secure with wiring clamp if provided on equipment, or tuck behind the air filter area. Do not place wiring directly against hot engine components.
- ◆ Check wiring and connectors for nicks, cuts, exposed wire, or other damage, and repair or replace as needed. Exposed wire or connectors can cause shocks, sparks, and risk of fire or explosion, resulting in serious injury.
- ◆ Check wire terminals for secure connections.

## WARNING

*Periodically check fuel system (fuel lines, vent, grommet, fuel tank, and fuel cap) for leaks especially if the unit is dropped. If damage or leaks are found, do not use unit, otherwise serious personal injury or property damage may occur. Have unit repaired by an authorized servicing dealer before using.*

## EMISSION CONTROL

### CARB and EPA Emission Control Information

The emission control system for the engine is EM (engine modification) and, if the second to last character of the Engine Family on the Emission Control Information label (sample below) is "B", "C", "K", or "T", the emission control system is EM and TWC (3-way catalyst). The fuel tank/fuel line emission control system is EVAP (evaporative emissions). Evaporative emissions for California models are only applicable to fuel tanks and fuel feed lines.

**An Emission Control Label** is located on the engine. (This is an EXAMPLE ONLY, information on label varies by engine FAMILY).



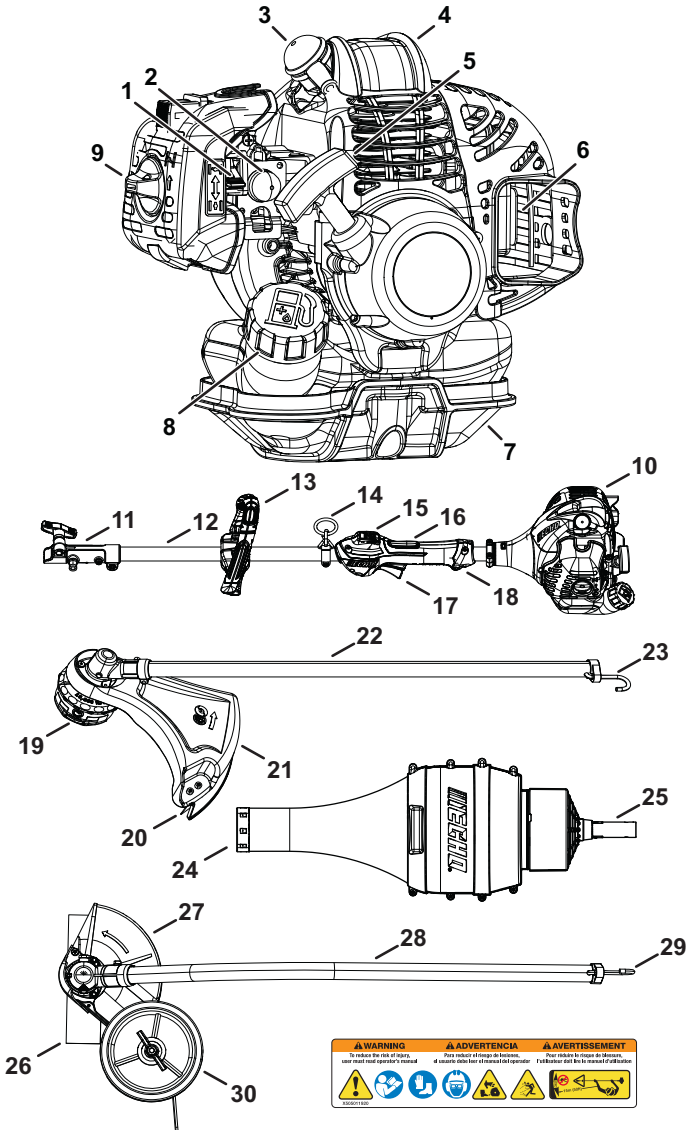
### Product Emission Durability (Emission Compliance Period)

The 50 or 300 hour emission compliance period is the time span selected by the manufacturer certifying the engine emissions output meets applicable emissions regulations, provided that approved maintenance procedures are followed as listed in the Maintenance Section of this manual.



# DESCRIPTION

Locate the safety decal(s) or etching(s) on your unit. Make sure they are legible, and that you understand and follow the instructions. If any cannot be read, replacements can be ordered from your dealer. Images shown below are for example only. Those on your unit might appear slightly different.



<b>WARNING</b> To reduce the risk of injury, use only trimmer line specified by ECHO.	<b>ADVERTENCIA</b> Para reducir el riesgo de lesiones, úsen únicamente hilo de corte especificado por ECHO.	<b>AVERTISSEMENT</b> Pour réduire le risque de blessures, utiliser uniquement le fil de coupe spécifié par ECHO.

1. Choke lever
2. Purge bulb
3. Spark plug
4. Top guard
5. Recoil starter handle
6. Spark arrester muffler or spark arrester muffler with catalyst
7. Fuel tank
8. Fuel tank cap
9. Air filter
10. Power head
11. Drive shaft coupler
12. Upper drive shaft assembly
13. Support handle - for left hand
14. Harness ring
15. Stop switch
16. Throttle trigger lockout
17. Throttle trigger
18. Throttle handle - for right hand
19. Nylon cutting attachment
20. Cut-off knife
21. Debris shield with cut-off knife
22. Trimmer drive shaft assembly
23. Storage hook
24. Blower pipe
25. Blower drive shaft assembly
26. Blade
27. Blade guard
28. Edger drive shaft assembly
29. Storage hook
30. Wheel

---

## CONTENTS

---

The ECHO product you purchased has been factory pre-assembled for your convenience. Due to packaging restrictions, some assembly may be necessary.

After opening the carton, check for damage. Immediately notify your retailer or ECHO Dealer of damaged or missing parts. Use the contents list to check for missing parts.

### PAS-225/SB

- 1 Power head with upper drive shaft assembly
- 1 Lower drive shaft trimmer attachment\*
- 1 Quick start guide
- 1 Warranty statement
- 1 Storage hook assembly\*

\*Included with PAS-225SB only

### PAS-225/VP/VPB

- 1 Power head with upper drive shaft assembly
- 1 Quick start guide
- 1 Warranty statement
- 1 Trimmer attachment
- 1 Power blower attachment or power edger attachment
- 1 Storage hook assembly
- 1 Support handle
- 1 Lower bracket, support handle
- 2 5 x 30 mm screws (handle mount)
- 1 Nylon trimmer head
- 1 Shield with cut-off knife
- 1 Shield plate
- 3 5 x 16 mm screws (shield mount)
- 2 Split pins\*\*

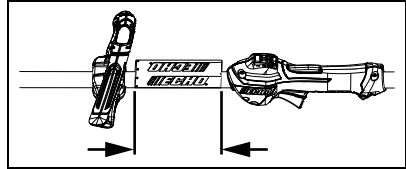
\*\* Included with VP model only

## ASSEMBLY

### Support Handle Installation

Note: Label shows minimum spacing for support handle location.

1. If necessary, position support handle for comfortable operation and securely tighten screws.



### Power Head Shaft to Lower Shaft Assembly

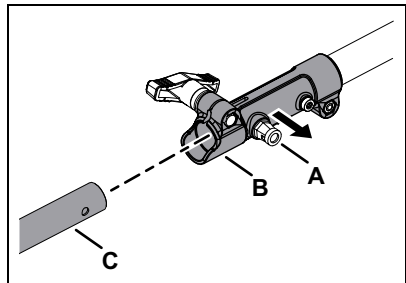
## ! WARNING

**Perform assembly procedures only when the unit is not running. Assembling a running unit can result in serious personal injury.**

1. Set power head/shaft assembly on a level surface.
2. Pull locator pin (A) out and turn counterclockwise one-quarter turn to lock-out position.
3. Remove storage hook and cap from attachment drive shaft.

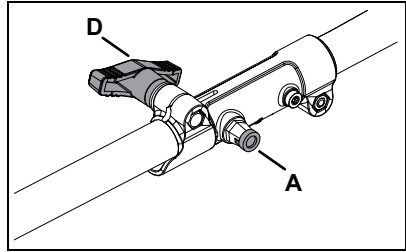
Note: Your coupler may appear different than coupler shown. Earlier model power heads may have shorter couplers.

4. Place the attachment drive shaft assembly into coupler (B). Rotate shaft (C) to make sure the inner lower drive shaft engages the square upper drive shaft socket.



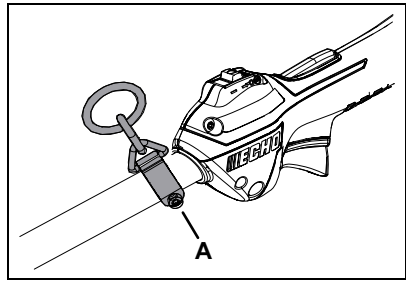
Note: Lower bearing housing and head assembly must be in line with the engine. Some models have an assembly line decal to assist in assembly.

5. Rotate locator pin (A) one-quarter turn clockwise to engage lower shaft hole. Make sure locator pin is fully engaged by rotating the lower drive shaft. Locator pin should snap flush in coupler. Full engagement will prevent further shaft rotation.
6. Secure lower shaft assembly to coupler by tightening clamping knob (D).

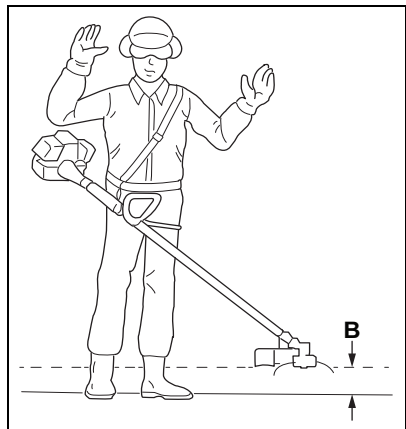


### Balance and Adjust Unit

1. Loosen harness ring clamp screw (A).
2. Put on harness and attach unit to harness.



3. Slide harness clamp up or down until unit balances with head or blade 200 mm ± 100 mm (8 in. ± 4 in.) from the ground (B).
4. Tighten harness clamp screw.
5. Loosen handle clamp screw(s) and position handle for comfortable operation.
6. Tighten handle clamp screws securely.



---

**OPERATION**

---

 **WARNING**

***Moving parts can amputate fingers or cause severe injuries. Keep hands, clothing and loose objects away from all openings. Always stop engine, disconnect spark plug, and make sure all moving parts have come to a complete stop before removing obstructions, clearing debris, or servicing unit.***

 **WARNING**

***Engine exhaust is hot, and contains Carbon Monoxide (CO), a poison gas. Breathing CO can cause unconsciousness, serious injury, or death. Exhaust can cause serious burns. Always position unit so that exhaust is directed away from your face and body.***

 **WARNING**

***Operation of this equipment may create sparks that can start fires around dry vegetation. This unit is equipped with a spark arrester to prevent discharge of hot particles from the engine. Metal cutters can also create sparks if the cutter strikes rocks, metal, or other hard objects. Contact local fire authorities for laws or regulations regarding fire prevention requirements.***

**Fuel** **WARNING**

***Diesel fuels and alternative fuels, such as E-15 (15% ethanol), E-85 (85% ethanol) or any fuels not meeting ECHO requirements are NOT approved for use in ECHO two-stroke gasoline engines. Use of diesel or alternative fuels can cause performance problems, loss of power, overheating, fuel vapor lock, and unintended machine operation, including, but not limited to, improper clutch engagement. Diesel or alternative fuels can also cause premature deterioration of fuel lines, gaskets, carburetors and other engine components.***

## Fuel Requirements

**Gasoline** - Use fresh (purchased within the last 30 days from the pump) 89 Octane [R+M/2] (mid grade or higher) gasoline known to be good quality. Gasoline may contain up to 10% Ethanol (grain alcohol) or 15% MTBE (methyl tertiary-butyl ether). Gasoline containing methanol (wood alcohol) is **NOT** approved. Use of ECHO branded fuel is recommended to extend engine life in all air-cooled two-stroke and two/four stroke hybrid engines.

**Two-Stroke Oil** - A two-stroke engine oil, such as ECHO branded two-stroke oils, meeting ISO-L-EGD (ISO/CD 13738) and J.A.S.O. FD Standards must be used. ECHO branded two-stroke oils meet these standards. Engine problems due to inadequate lubrication caused by failure to use an ISO-L-EGD (ISO/CD 13738) and J.A.S.O. M345-FD certified oil will void the two-stroke engine warranty.

## WARNING

***Two-stroke engine oil contains petroleum distillates and other additives that may be harmful if swallowed. Heated oil can release vapors that can cause flash fire, or ignite with explosive force. Read and follow the oil manufacturer's instructions, and observe all safety warnings and precautions for handling flammable liquids. For more detailed safety and first aid information, visit [www.echo-usa.com](http://www.echo-usa.com) for a copy of the Material Safety Data Sheet.***

- ◆ **KEEP OUT OF REACH OF CHILDREN.**
- ◆ **If swallowed, do not induce vomiting. CALL PHYSICIAN OR A POISON CONTROL CENTER IMMEDIATELY.**
- ◆ **WEAR SAFETY GLASSES** when mixing or handling.
- ◆ **AVOID** repeated or prolonged skin contact.
- ◆ **AVOID** inhaling oil mists or vapors.

## NOTICE

*ECHO branded two-stroke oils may be mixed at 50:1 ratio for application in all ECHO engines sold in the past regardless of ratio specified in those manuals.*

## Handling Fuel

**! DANGER**

*Fuel is flammable. Use extreme care when mixing, storing or handling, or serious personal injury will result.*

- ◆ *Use an approved fuel container. Mark fuel containers as containing two-stroke mixture fuel.*
- ◆ *DO NOT smoke near fuel.*
- ◆ *DO NOT allow flames or sparks near fuel.*
- ◆ *Fuel tanks/cans may be under pressure. Always loosen fuel caps slowly allowing pressure to equalize.*
- ◆ *NEVER refuel a unit when the engine is HOT or RUNNING!*
- ◆ *DO NOT fill fuel tanks indoors. ALWAYS fill fuel tanks outdoors over bare ground.*
- ◆ *DO NOT overfill fuel tank. Wipe up spills immediately.*
- ◆ *Securely tighten fuel tank cap and close fuel container after refueling.*
- ◆ *Inspect for fuel leakage. If fuel leakage is found, do not start or operate unit until leakage is repaired.*
- ◆ *Use caution when handling fuel. Mix and pour fuel outdoors where there are no sparks and flames. Slowly remove the fuel cap only after stopping the engine and allowing the unit to cool. Do not smoke while fueling or mixing fuel. Move the unit at least 3 m (10 ft.) from the fueling point before starting the engine.*

**! DANGER**

*Gasoline vapor is heavier than air, and can travel along the ground to nearby sources of ignition such as electrical motors, pilot lights, and hot or running engines. Vapors ignited by an ignition source can flash back to the fuel container, resulting in an explosion, fire, serious or fatal injuries, and extensive property damage.*



## Mixing Instructions

**NOTICE**

*Stored fuel ages. Do not mix more fuel than you expect to use in 30 days or 90 days when a fuel stabilizer is added.*

1. Fill an approved fuel container with half of the required amount of gasoline.
2. Add the proper amount of two-stroke oil to gasoline.
3. Close container and shake to mix oil with gasoline.
4. Add remaining gasoline, close fuel container, and remix.

Fuel to Oil Mix – 50:1 Ratio			
US		Metric	
Gas	Oil	Gas	Oil
gal.	fl.oz.	L	cc
1	2.6	5	100
2	5.2	10	200
5	13	25	500

**NOTICE**

*Spilled fuel is a leading cause of hydrocarbon emissions. Some locations may require the use of automatic fuel shut-off containers to reduce fuel spillage.*

**Storage** - Fuel storage laws vary by locality. Contact your local government for the laws affecting your area. As a precaution, store fuel in an approved, airtight container. Store in a well-ventilated, unoccupied building, away from sparks and flames.

- Empty the fuel tank prior to storing the unit. Return unused fuel to an approved fuel storage container.

**NOTICE**

*Stored two-stroke fuel can separate. ALWAYS shake fuel container thoroughly before each use.*

**NOTICE**

*Used oil and gasoline, and soiled towels are hazardous waste materials. Disposal laws vary by locality.*

## Operation with Blades

**! WARNING**

***Metal blades are very sharp and can cause severe injuries, even if unit is off and blades are not moving. Avoid contact with blades. Wear gloves to protect hands.***

**! WARNING**

***Blade use demands specific brushcutter configuration. Operation without specified shield, barrier bar or U-handle, and harness can result in serious personal injury. Follow installation instructions.***

MATERIAL TO BE CUT		GRASS	WEED/ GRASS	WEED/ GRASS	BRUSH <12.7 MM (0.5 in.)	CLEARING <63.5 MM (2.5 in.)
Cutting Attachment		Nylon line head	Maxi-Cut head / Pro Maxi-Cut Head	3-tooth blade / 8-tooth blade	80-tooth blade	22-tooth blade
You must install these parts	Shield	Standard debris shield included with SRM, DSRM, T, PAS and DPAS trimmer attachments, or GT models (PRO Maxi-Cut Head is not rated for GT models)		Brushcutter shield supplied with U and C model brushcutters, blade conversion kit or PAS and DPAS brushcutter attachments		
	Handle	Standard handle included with SRM, DSRM, T, PAS and DPAS or GT models (PRO Maxi-Cut Head is not rated for GT models)		U-Handle* or support handle with barrier bar supplied with U and C model brushcutters, blade conversion kit or PAS and DPAS brushcutter attachments		
	Harness	Not required**		Harness*** supplied with U and C model brushcutters and blade conversion kit		
	Upper/lower plate adapter and washer	Not required	Washer required, included with cutting attachment	Upper/lower blade plate adapter included with U and C model brushcutters, blade conversion kit or PAS and DPAS brushcutter attachments		

MATERIAL TO BE CUT		GRASS	WEED/ GRASS	WEED/ GRASS	BRUSH <12.7 MM (0.5 in.)	CLEARING <63.5 MM (2.5 in.)
You must install these parts	Hex nut	Not required	Hex nut required, included with cutting attachment	Hex nut required, included with U and C model brushcutters, blade conversion kit or PAS and DPAS brushcutter attachments		
	Cotter pin	Not required	New cotter pin included with cutting attachment	New cotter pin included with U and C model brushcutters, blade conversion kit or PAS and DPAS brushcutter attachments		

\*ANSI standards require brushcutters be equipped with a support handle with barrier bar or restrictive harness.

\*\* Grass trimmers do not require a harness if dry weight is below 6.0 kg (13.2 lb). For grass trimmers having a dry weight of 6.0 kg (13.2 lb) to 7.5 kg (16.5 lb), a single-shoulder harness is required. A harness may be used as outlined in the Operator's Manual.

\*\*\* Brushcutters require at least a single shoulder harness if the dry weight is below 7.5 kg (16.5 lb).

## **WARNING**

**Do not install blades on GT (curved shaft) model trimmers.**

- Use only ECHO approved parts. Failure to use the correct parts can cause the blade to fly off. Serious injury to the operator and/or bystanders can occur.
- Arbor diameter of upper blade plate must match arbor diameter of blades.
- For barrier bar or U-handle, follow instructions supplied with either blade conversion kit or U-handle kit, and verify blade is secured properly.
- A new cotter pin is required each time a blade is installed.
- Shoulder harnesses may be used on all trimmers and brushcutters to reduce operator fatigue. Brushcutters over 7.5 kg (16.5 lb.) and U-handle brushcutters require a double shoulder harness.

Note: The barrier bar is used to restrict rearward movement of the unit. The barrier bar is not a handle and should not be gripped when using or carrying the unit.

## Blade Selection

### **WARNING**

***An improper or dull blade can cause serious personal injury. The type of blade used must be matched to the type and size of material cut. Blades must be sharp. Dull blades increase the chance of kick-out and injury to yourself and bystanders. Never use an edging blade, circular saw blade, or any other type of unapproved blade.***

### **NOTICE**

*Not all blades are compatible with all trimmers. Visit [www.echo-usa.com](http://www.echo-usa.com) or [www.shindaiwa-usa.com](http://www.shindaiwa-usa.com) to find compatible blades.*

**3-Tooth Grass/Weed Blade** may be used wherever the nylon line head is used. DO NOT use this blade for heavy weeds or brush.

**8-Tooth Weed/Grass Blade** is designed for grass, garden debris and thick weeds up to 19 mm (0.75 in.) diameter. Do not use this blade for brush or heavy woody growth.

**80-Tooth Brush Blade** is designed for cutting brush and woody growth up to 13 mm (0.5 in.) diameter.

**22-Tooth Clearing Blade** is designed for dense thickets and saplings up to 64 mm (2.5 in.) diameter.

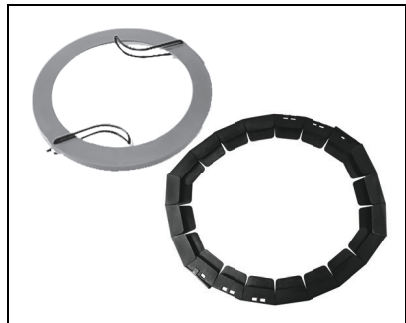
### **WARNING**

***A trimmer/brushcutter with a metal blade can cause serious injuries if handled improperly.***

Always use care when carrying or handling the equipment to avoid contact with the cutting edges of the blade. Use the optional blade cover when unit is not in use.

Keep blades in protective packaging until ready to install. Store blades safely after removal to prevent injury from accidental contact.

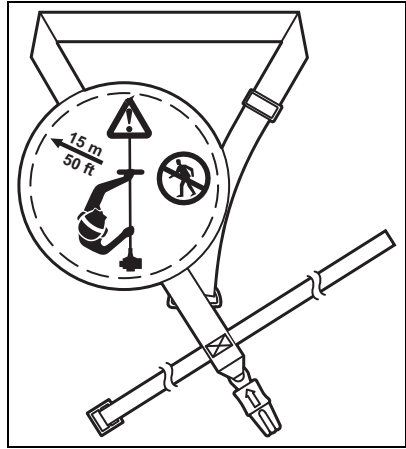
Use blade protectors to protect blade teeth during unit transportation.



### Use Shoulder/Waist Harness

Use of the shoulder/waist harness is recommended for all trimmer/brushcutter use, not just blade operation. The shoulder/waist harness when used in a trimming operation with nylon line head suspends the trimmer from the operator's shoulder and reduces operator fatigue.

During blade operation, the same fatigue reduction is achieved. Safety to the operator is also enhanced by reducing the possibility of blade contact with the operator's hands and feet by restricting trimmer movement.



Make sure the warning sign on the back of the shoulder harness can be read easily.

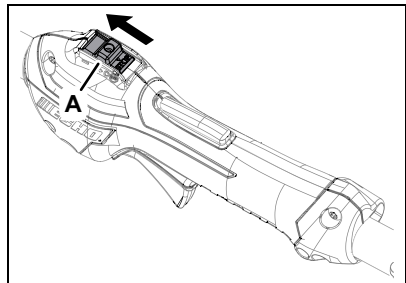
Note: In case of emergency, disconnect the trimmer from the harness.

### Starting Cold Engine

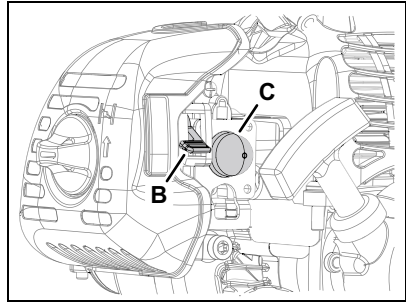
## WARNING

***The attachment will operate immediately when the engine starts, and could result in possible serious injury. Keep movable parts of the attachment away from objects that could become entangled or thrown, and surfaces that could cause loss of control.***

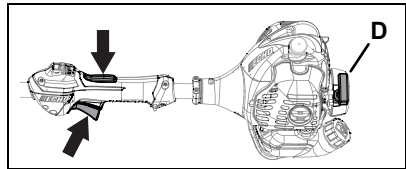
1. Move stop switch button (A) forward, away from the STOP position.



2. Move choke lever (B) to COLD START position.
3. Pump purge bulb (C) until fuel is visible and flows freely in the clear fuel tank return line. Pump bulb an additional four or five times.



4. Lay the unit on a flat area and keep movable attachment parts clear of all obstacles. Firmly grasp throttle handle and throttle trigger lockout with left hand and fully depress throttle trigger to wide open position. Rapidly pull recoil starter handle/rope (D) until engine fires (or maximum two to three pulls).



5. After engine fires (or two to three pulls), move choke to the RUN (open) position. Firmly grasp throttle handle and throttle trigger lockout with left hand and fully depress throttle trigger to wide open position. Pull starter handle/rope until engine starts and runs. Release throttle trigger and allow unit to warm up at idle for several minutes.

Note: If engine does not start with choke in RUN position after two to three pulls, repeat instructions 2 - 5.

6. After engine warm-up, grip throttle handle and support handle. Depress the throttle trigger lockout, and gradually depress throttle trigger to increase engine RPM to operating speed.

## Starting Warm Engine

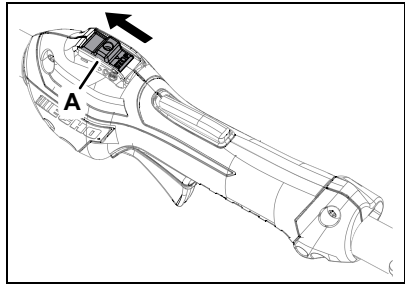
The starting procedure is the same as Cold Start instructions except do not close the choke, and do not hold throttle trigger fully depressed.

### **WARNING**

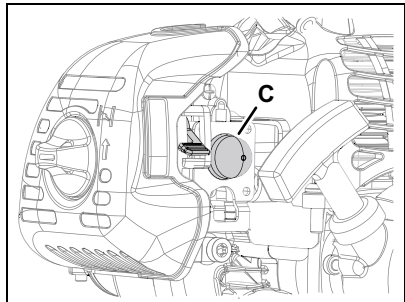
**The attachment should not move at idle, otherwise serious personal injury may result.**

Note: If attachment moves, readjust carburetor according to Carburetor Adjustment instructions in this manual or see your ECHO dealer.

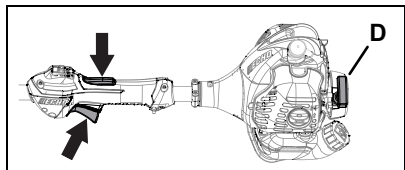
1. Move stop switch button (A) forward, away from the STOP position.



2. Pump purge bulb (C) until fuel is visible in the clear fuel return line. Pump bulb an additional four or five times.



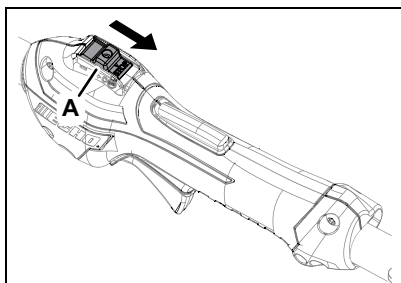
3. Lay the unit on a flat area and keep movable attachment parts clear of all obstacles. Firmly grip throttle handle and throttle trigger lockout with left hand. Rapidly pull recoil starter handle/rope (D) until engine starts.



Note: If engine does not start after two to three pulls, use Cold Start Procedure.

## Stopping Engine

1. Release throttle trigger and allow engine to return to idle before shutting off engine.
2. Move stop switch button (A) backward to STOP position.



## WARNING

***If engine does not stop when stop switch is moved to STOP position, close choke - COLD START position - to stall engine. Have your ECHO dealer repair stop switch before using unit again.***

## Applications

## WARNING

***Always hold throttle handle with right hand and support handle with left hand, placing unit on right side of body.***

## WARNING

***Do not install blades on GT (Curved Shaft) trimmers.***

## Operating Techniques – Nylon Line Head

Nylon line heads may be used for trimming, scything, edging, and scalping of grass and light weeds.

Units with Speed-Feed<sup>®</sup> line heads only: To advance trimmer line, tap trimmer head against the ground while the head is turning at normal operating speed.

## Trimming

Feed the spinning line into the material to be cut. Tilt the line head to one side to direct cutting debris away from you:



- SRM/DSRM/PAS/DPAS/SB/TX/C/T (Straight shaft, counterclockwise line head rotation) Models: Tilt the cutting head down on the right side while cutting to direct cutting debris away from operator. Feed the line gradually into the material you wish to cut, avoiding contact with fences or other barriers.
- GT Models: Tilt cutting head to the left while cutting to direct debris away from the operator.

### **Scything**

Scything - Swing the cutting head in a level arc, gradually feeding the line into the material being cut. Move forward with each arc to cut a swath. Width of cutting swath depends on arc. Use a larger arc for a wider swath, or a smaller arc for a narrow swath. Keep line head tilted to direct cutting debris forward or away from you.

### **Edging and Scalping**

Both of these are done with the nylon line cutting head tilted at a steep angle. Scalping is removing top growth, leaving the earth bare. Edging is trimming the grass back where it has spread over a pavement or driveway. During both edging and scalping, hold the unit at a steep angle in a position where the debris, and any dislodged dirt and stone, will not come back towards you even if it ricochets off the hard surface.

### **General**

- Debris flows in direction of line head rotation. Change line head position to ensure debris flow is directed away from operator.
- Keep cutting line away from wire fences to avoid entanglement.
- Operate trimmer only with cutting head below knee height.

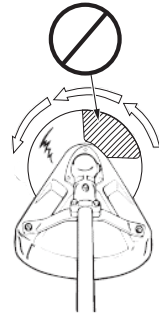
### **Operating Techniques – Metal or Plastic Blade**

Brushcutter blades may be used to cut and trim a wide variety of materials. Refer to the blade selection section for determining the correct blade for the application.

### **Scything (3-, 8-, and 80-tooth weed/grass, and brush blades)**

- To cut large sections of field grass and weeds swing the cutting head in a level arc, gradually feeding the blade into the material being cut. Adjust throttle speed according to your work.

- Do not swing the main pipe with arms. Turn hips to swing the blade horizontally from right to left, and cut weeds on the left side of the blade.
- Do not scythe back and forth as the grass may scatter and kickback may occur easily.
- Tilt blade left by 5 to 10 degrees so that cut grasses will push left, making progress easier.
- Move forward with each arc to cut a swath.
- Width of cutting swath depends on arc. Use a larger arc for a wider swath, or a smaller arc for a narrow swath. Suggested cutting width is about 1.5 m (4.9 ft).
- When scything large brush up to 12.7 mm (0.5 in.) diameter from right to left, avoid cutting with highlighted section.



## Reaction Forces

### **WARNING**

- ◆ The cutting attachment will continue to rotate even after the throttle is released, maintain control of the unit until it has come to a complete stop.
- ◆ Blade thrust may occur when the spinning blade contacts an object that it does not immediately cut. Following proper cutting techniques will prevent blade thrust.
- ◆ Blade thrust can be violent enough to cause the unit and/or operator to be propelled in any direction, and possibly lose control of the unit.
- ◆ Blade thrust can occur without warning if the blade snags, stalls or binds.
- ◆ Blade thrust is more likely to occur in areas where it is difficult to see the material being cut.

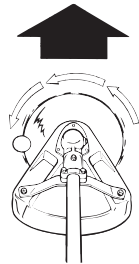
## Push or Pull - Kickout

During normal use, operating a brushcutter with a circular metal blade can produce sudden strong reaction forces that are difficult to control. Strong reaction forces can cause a loss of balance or loss of control of the equipment, resulting in serious injury to operator and bystanders.

Understanding what causes these reactive forces may help you to avoid them, and can help you to maintain control of the equipment if you experience a sudden reaction during cutting. Reactive forces occur when the force being applied by the cutting teeth of a blade meet resistance, and some of the cutting force is directed back toward the equipment. The greater the cutting force or the amount of resistance, the greater the reactive force.

## Push and Pull Forces

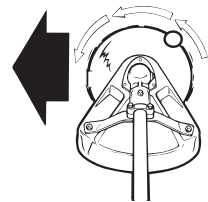
Push and pull forces are reactive forces that push the equipment directly toward the operator, or that pull the equipment directly away from the operator. These forces are the result of cutting on the sides of the blade. The direction of the force depends on the side of the blade being used, and the direction of blade rotation at the point of contact. The reactive force is in the opposite direction of blade rotation at the contact point, regardless of where the contact is being made. These types of reactive forces are also called "Blade Thrust." A blade turning counterclockwise will cause the equipment to pull away from the operator if the point of cutting resistance is on the left side of the blade. See illustration. If the point of cutting resistance is on the right side of the blade, the equipment will push back toward the operator. In both examples, the reactive force is in the opposite direction of blade rotation at the contact point where resistance occurs.



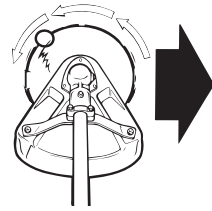
## Kickout

Kickout is also a reactive force caused by resistance to cutting, but the direction of blade thrust is lateral (to the left or right of the blade), instead of forward or back toward the operator. In most cases, Push, Pull, and Kickout can be reduced or eliminated by:

- Using the correct blade for the cutting job
- Using properly sharpened blades



- Applying consistent, even force to the blade during the cut
- Avoiding obstacles and ground hazards
- Using extra care when cutting harder materials such as extremely dry brush, saplings, and small trees
- Cutting from a stable, secure position



## Blade Cutting Problems

**Binding** - Blades may bind in the cut if dull or forced. Binding can damage blade, and result in blade breakage or injury from fragments and flying debris. If a blade binds in a cut, do not try to get it out by applying "up and down" force to pry the cut open. Applying prying force to the blade can bend the blade, and result in blade failure and injury.



To free a blade that is bound in the cut, stop the unit, and support the trimmer or brushcutter to keep stress off the blade. Push the tree away from the entry point of the cut to open the cut, and pull the blade directly away from the cut in a straight-line motion. Use caution when releasing the tree to avoid being struck by spring-back or falling.

Inspect the blade for damage before proceeding. Sharpen teeth if dull, or replace blade if cracked, bent, missing teeth, or otherwise damaged.

To prevent binding:

- Keep blades sharp
- Avoid excessive pressure during cutting
- Do not exceed cutting capacity of blade
- Do not use blades with damaged or missing cutting teeth
- Do not tilt blade during cutting

### Edger Operation Techniques

1. Before edging, water the area to soften the ground to make edging easier.
2. Before edging, check the area and remove all obstacles and objects that could be thrown.
3. Plan to edge regularly to make it easier to keep a neat edge and to avoid having to make more than one pass.

Note: Blade depth may have to be adjusted due to differences in height between the hard surface and the top of the grass.

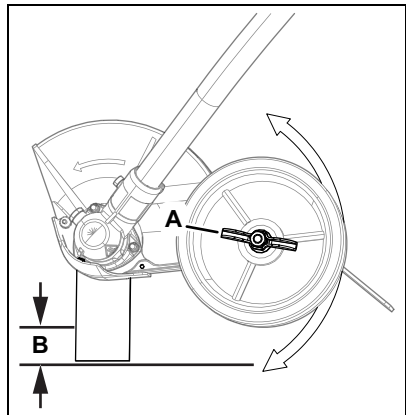
### WARNING

**Never adjust blade height with engine running, otherwise serious personal injury may result.**

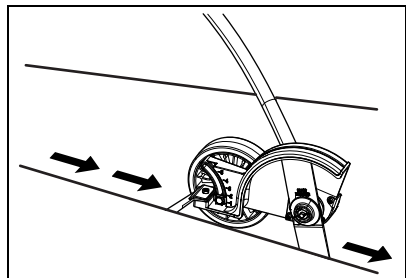
### CAUTION

**Wear gloves or personal injury may result. Gear case and surrounding area may be hot.**

4. Loosen adjustment knob (A). Move wheel up to increase cutting depth, or down to decrease cutting depth. A depth of (B) 13 mm (0.5 in.) is optimal. Tighten adjustment knob (A).
5. Before edging, plan your direction of travel so that the unit will always be positioned on your right side and so that you walk on a hard surface whenever possible.



6. Position edger as shown.



 **WARNING**

***Before edging, be sure to read and understand the entire Operator's Manual to avoid serious injury.***

7. When starting to edge, run the engine at full throttle, and lower the blade gently into the ground, being careful not to hit the concrete with the blade.
8. Do not force the blade. Move only as quickly as the blade will allow.

 **WARNING**

***The complete unit, specifically the drive shaft assembly and muffler exhaust area, may become very hot during use. Avoid contact during and immediately after operation, otherwise serious personal injury may result.***



## Operating Blower

 **WARNING**

***Moving parts can amputate fingers or cause severe injuries. Keep hands, clothing and loose objects away from all openings. Always stop engine, disconnect spark plug, and make sure all moving parts have come to a complete stop before removing obstructions, clearing debris, or servicing unit. Blower housing might contain shredder blades and other sharp edges that can cause serious injuries if touched, even if engine is off and blades are not moving. Wear gloves to protect hands from sharp edges and hot surfaces.***

 **WARNING**

***Always wear safety glasses, hearing protection and a face filter mask or serious personal injury can result. Do not point the blower pipe in the direction of people or pets.***

## NOTICE

*Use reduced speed only when performing light-duty tasks or to comply with local noise regulations. Continuous low speed operation may allow fuel/oil residue to build-up on the piston and cause rapid build-up of carbon on the spark arrester screen, resulting in overheating and engine damage. To reduce harmful build-up, run engine at wide open throttle for at least five minutes every hour, and inspect/clean the spark arrester screen after approximately 40 hours of operation.*

**Read the Safety Section carefully.**

## NOTICE

*To avoid engine damage due to over-revving, do not block blower pipe.*

1. Use only during appropriate hours.
2. Allow the engine to warm up at a fast idle for a few minutes.
3. Use lower speed to blow debris from hard surfaces.
4. Additional speed may be necessary to clean debris, snow, etc. from lawns and flowerbeds.

**Note:** Never use a higher speed setting than necessary to perform a task. Remember, the higher the engine speed, the louder the blower noise. Minimize dust by using blower at lower speeds. Keep debris on your property. Be Smart - be a good neighbor.

## MAINTENANCE

### WARNING

***Moving parts can amputate fingers or cause severe injuries. Keep hands, clothing and loose objects away from all openings. Always stop unit, disconnect spark plug or remove battery, and make sure all moving parts have come to a complete stop before removing obstructions, clearing debris, or servicing unit. Allow the unit to cool before performing maintenance or adjustments. Wear gloves to protect hands from sharp edges and hot surfaces.***


**WARNING**

***Operating a poorly maintained unit can result in serious injuries to operator or bystanders. Always follow all maintenance instructions as written, otherwise serious personal injury can result.***

Your unit is designed to provide many hours of trouble-free service. Regular scheduled maintenance will help your unit achieve that goal. If you are unsure or are not equipped with the necessary tools, we recommend that you take your unit to a Servicing Dealer for maintenance. To help you decide whether you want to do it yourself or have the dealer do it, each maintenance task has been graded. If the task is not listed, see your Dealer for repairs.

**NOTICE**

*The use of emission control components other than those specifically designed for this unit is a violation of federal law.*

**Skill Levels**

**Level 1** = Easy to do. Common tools may be required.

**Level 2** = Moderate difficulty. Some specialized tools may be required.

**Level 3** = See your dealer.

Click [HERE](#) or go to <http://www.echo-usa.com/products/maintenance-kit>

or

<https://www.shindaiwa-usa.com/you-can.aspx>

**Maintenance Intervals**

COMPONENT/SYSTEM	MAINTENANCE PROCEDURE	REQUIRED SKILL LEVEL
<b>Daily or Before Use</b>		
Air Filter	Inspect/Clean *	<b>1</b>
Choke Shutter	Inspect/Clean *	<b>1</b>
Fuel System	Inspect	<b>1</b>
Cooling System	Inspect/Clean	<b>2</b>



COMPONENT/SYSTEM	MAINTENANCE PROCEDURE	REQUIRED SKILL LEVEL
Recoil Starter Rope	Inspect/Clean *	1
Screws/Nuts/Bolts	Inspect/Tighten/Replace *	1
<b>Every Refuel</b>		
Fuel System	Inspect <sup>3</sup>	1
<b>3 Months</b>		
Air Filter	Replace *	1
Fuel Filter	Inspect *	1
Fuel Cap Gasket	Inspect *	1
Spark Plug	Inspect/Clean/Replace *	1
Muffler Spark Arrester	Inspect/Clean/Replace *	2
Cylinder Exhaust Port	Inspect/Clean/De-carbon	2
Drive Shaft (flex cable models)	Grease <sup>1</sup>	2
Gear Housing	Grease <sup>2</sup>	2
<b>Yearly</b>		
Fuel Filter	Inspect/Replace *	1
Fuel Cap Gasket	Replace *	1

Note: Time intervals shown are maximum. Actual use and your experience will determine the frequency of required maintenance.

Maintenance Procedure Notes:

<sup>1</sup> Apply lithium-based grease every 25 hours of use.

<sup>2</sup> Apply lithium-based-grease every 50 hours of use.

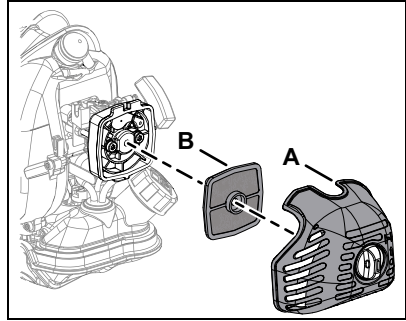
\* Replacement is recommended based on the finding of damage or wear during inspection.

## Air Filter

### Level 1.

Parts required: Tune-up kit.

1. Close choke (COLD START position). This prevents dirt from entering the carburetor throat when the air filter is removed. Brush accumulated dirt from air cleaner area.
2. Remove air filter cover (A).  
Brush dirt from inside cover.
3. Replace air filter (B) if it is damaged, fuel soaked, very dirty, or the rubber sealing edges are deformed.
  - Lightly brush debris from air filter.
  - Soak heavily soiled air filters in water/detergent solution to loosen dirt, then brush lightly.
  - Rinse with clean water and allow to dry completely before reuse.
4. Install air filter in air filter case.
5. Install air filter cover.



## Fuel Filter

### Level 1.

Parts required: Tune-up kit.

## ⚠ DANGER

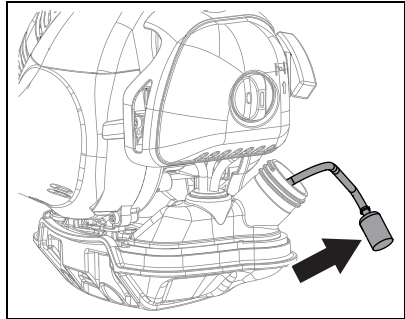
***Fuel is flammable. Use extreme care when mixing, storing or handling, or serious personal injury may result.***

1. Use a clean cloth to remove loose dirt from around fuel cap and empty fuel tank.

## NOTICE

***Do not damage fuel line while removing fuel filter from tank or line.***

2. Pull the fuel filter from the tank.
3. Do not remove the wire coil clamp to remove the fuel filter. Pinch the fuel filter with the fingers on one hand and the fuel line with the other hand. Pull and twist slightly to separate.
4. Install the new filter with the reverse action.



Note: Federal EPA regulations require all model year

2012 and later gasoline powered engines produced for sale in the United States to be equipped with a special low permeation fuel supply hose between the carburetor and fuel tank. When servicing model year 2012 and later equipment, only fuel supply hoses certified by EPA can be used to replace the original equipment supply hose. Fines up to \$37,500 may be enforced for using a non-certified replacement part.

## Spark Plug

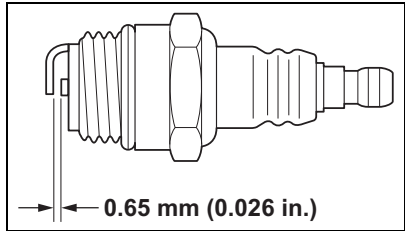
### Level 2.

Parts required: Tune-up kit.

## NOTICE

*Use only NGK BPM8Y spark plug (BPMR8Y in Canada) otherwise severe engine damage may occur.*

1. Remove spark plug and check for fouling, worn and rounded center electrode.
2. Clean the plug or replace with a new one. Do not sandblast to clean.
3. Adjust spark plug gap by bending outer electrode.
4. Tighten spark plug to 130-170 kgf•cm (112-150 lbf•in).



Cooling System

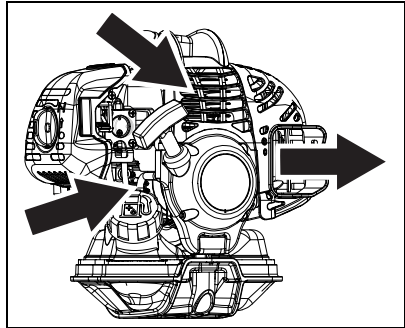
Level 2.

**NOTICE**

To maintain proper engine operating temperatures, cooling air must pass freely through the cylinder fin area. This flow of air carries combustion heat away from the engine.

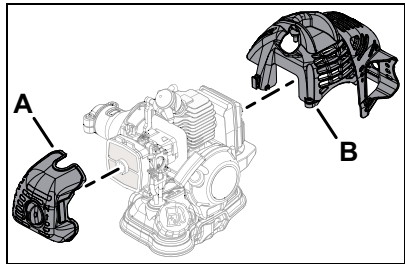
Overheating and engine seizure can occur when:

- Air intakes are blocked, preventing cooling air from reaching the cylinder.
- Dust and grass build up on the outside of the cylinder. This build up insulates the engine and prevents the heat from leaving.



Removal of cooling passage blockages or cleaning of cooling fins is considered normal maintenance. Any failure attributed to lack of maintenance is not warranted.

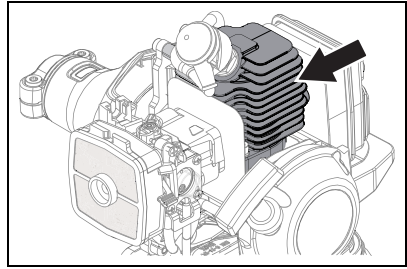
1. Remove spark plug lead.
2. Close choke (COLD START position). This prevents dirt from entering the carburetor throat when the air filter is removed.
3. Remove air filter cover (A).
4. Remove engine cover (B).



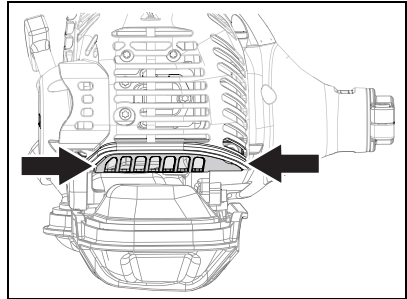
**NOTICE**

Do not use a metal scraper to remove dirt from the cylinder fins.

- 5. Use a nylon or plastic bristle brush to remove dirt from the cylinder fins.
- 6. Remove ignition wires from clip for cleaning.



- 7. Remove grass and leaves from the grid between the recoil starter and fuel tank.
- 8. Assemble components in reverse order.



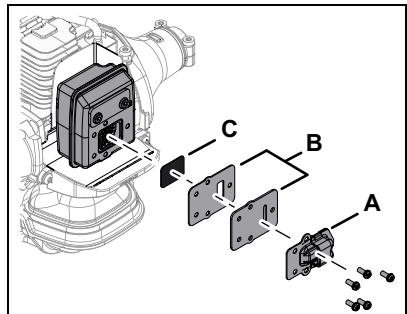
## Exhaust System

### Spark Arrester Screen

#### Level 2.

Parts required: Spark arrester screen, gasket.

- 1. Remove spark plug lead and engine cover.
- 2. Place piston at Top Dead Center (TDC) to prevent carbon/dirt from entering cylinder.
- 3. Remove spark arrester screen cover (A), gasket (B), and screen (C), from muffler body.



## NOTICE

*When cleaning carbon deposits, be careful not to damage the catalytic element inside muffler.*

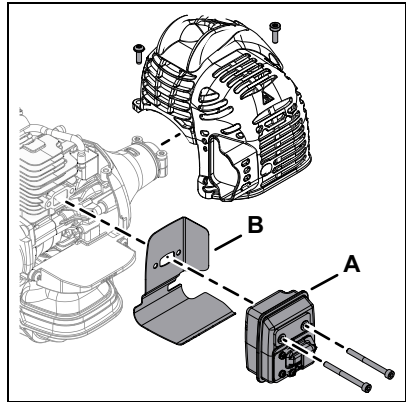
4. Clean carbon deposits from muffler components.
5. Replace screen if it is cracked, plugged, or has holes burned through.
6. Assemble components in reverse order.

### Exhaust Port Cleaning

#### Level 2.

Parts required: Heat shield (as needed).

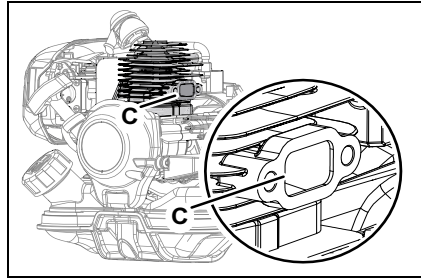
1. Remove spark plug lead from spark plug, and remove engine cover.
2. Place piston at top dead center. Remove muffler (A) and heat shield (B).



## NOTICE

*Never use a metal tool to scrape carbon from the exhaust port. Do not scratch the cylinder or piston when cleaning the exhaust port. Do not allow carbon particles to enter the cylinder.*

3. Use a wood or plastic scraping tool to clean deposits from cylinder exhaust port (C).
4. Inspect heat shield, and replace if damaged.
5. Install heat shield and muffler.
6. Tighten muffler mounting bolts (or nuts) to 90-110 kgf•cm (80-95 lbf•in).
7. Install engine cover and attach spark plug lead.
8. Start engine, and warm to operating temperature.
9. Stop engine, re-tighten mounting bolts (or nuts) if required.



## Carburetor Adjustment

### Level 2.

### Engine Break-In

New engines must be operated a minimum duration of two tanks of fuel break-in before carburetor adjustments can be made. During the break-in period your engine performance will increase and exhaust emissions will stabilize. Idle speed can be adjusted as required.

### High Altitude Operation

This engine has been factory adjusted to maintain satisfactory starting and durability performance up to 335 m (1,100 ft.) above sea level (ASL) (96.0 kPa). To maintain proper engine operation and emission compliance above 335 m (1,100 ft.) ASL the carburetor may need to be adjusted by an authorized service dealer.

## NOTICE

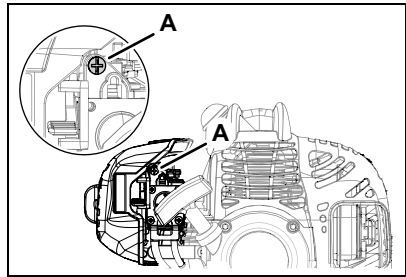
*If the engine is adjusted for operation above 335 m (1,100 ft.) ASL, the carburetor must be re-adjusted when operating the engine below 335 m (1,100 ft.) ASL, otherwise severe engine damage may result.*

Note: Every unit is run at the factory and the carburetor is set in compliance with emission regulations. Carburetor adjustments, other than idle speed, must be performed by an authorized dealer.

**! WARNING**

- ◆ The cutting attachment may be moving during carburetor adjustments.
- ◆ Wear your protective equipment and observe all safety instructions.
- ◆ For units equipped with a clutch, be sure the cutting attachment stops moving when the engine idles.
- ◆ When the unit is turned off, make sure the cutting attachment has stopped before the unit is set down.

1. Check idle speed and reset if necessary. If a tachometer is available, idle speed screw (A) should be set to the specifications found on the Specifications page of this manual. Turn idle speed screw (A) clockwise to increase idle speed; counterclockwise to decrease idle speed.



**! WARNING**

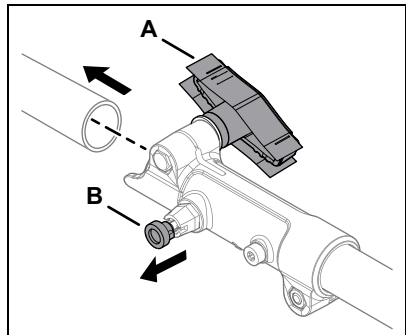
*When carburetor adjustment is completed, the cutting attachment should not move at idle, otherwise serious personal injury may result.*

**Upper Drive Shaft Lubrication**

**Level 1.**

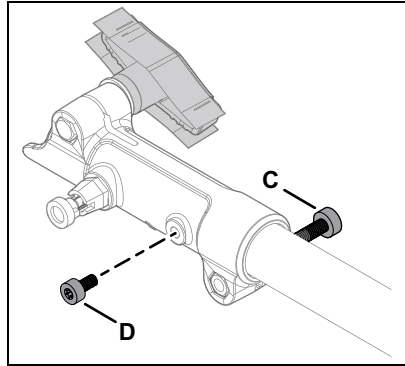
Parts required: Lithium-based grease.

1. Loosen clamping knob (A)
2. Pull locator pin (B) and rotate ¼ turn counterclockwise to lockout position.
3. Remove attachment.

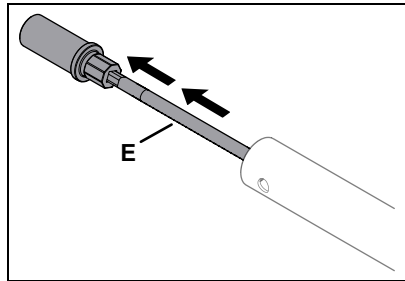




- 4. Remove coupler from upper drive shaft assembly by loosening clamping screw (C) and removing set screw (D).



- 5. Remove upper flex cable (E), wipe clean, and apply a thin coating of 15 ml (0.5 oz.) of grease.
- 6. Install cable. Make sure that the flex cable fully engages into the clutch square drive socket.
- 7. Slide coupler on upper drive shaft until fully seated, and align set screw hole in coupling with hole in upper drive shaft.
- 8. Install and tighten set screw (D), and tighten clamping screw (C).



## Gear Case and Lower Drive Shaft Lubrication

### Level 1.

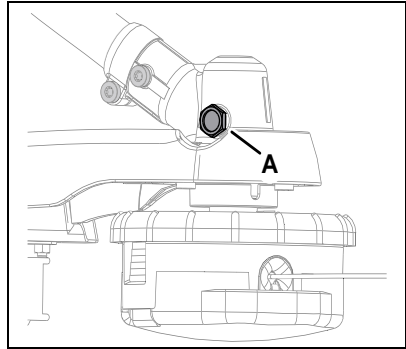
Parts required: Lithium-based grease.

### Gear Case

**NOTICE**

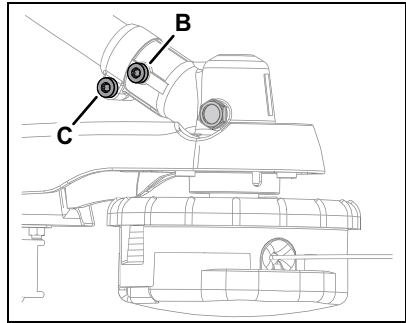
*Gear cases without a grease plug do not require lubrication.*

1. Clean all loose debris from gear case.
2. Remove grease plug (A), if equipped, and check level of grease.
3. Add grease if necessary. Do not over-fill.

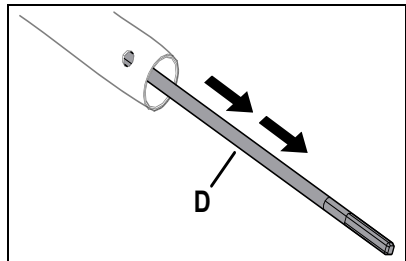


## Lower Drive Shaft

1. Loosen screw (B) and remove locating screw (C). Pull gear case and shield from drive shaft housing.



2. Pull flexible cable (D) from the drive shaft housing, wipe clean and apply 15 ml (0.5 oz.) of grease.
3. Slide the flexible cable (D) back in the drive housing. Do not get dirt on the flex cable.
4. Install the gear housing and shield assembly.



## Nylon Line Replacement

### ! CAUTION

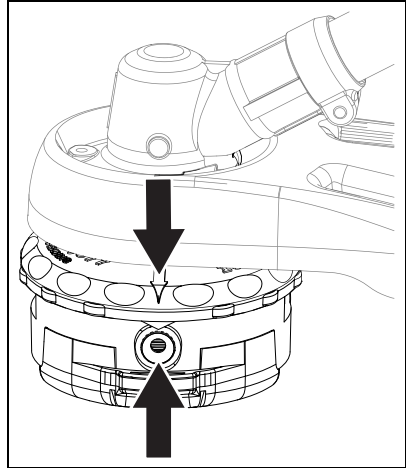
*Wear gloves or personal injury may result:*

- ◆ *Cut-off knife is sharp.*
- ◆ *Gear case and surrounding area may be hot.*

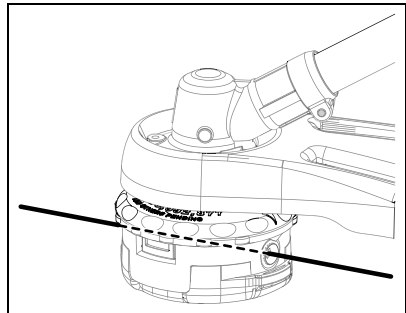
### ! WARNING

*Never use wire or wire-rope that can break off and become a dangerous projectile. Serious injury can occur.*

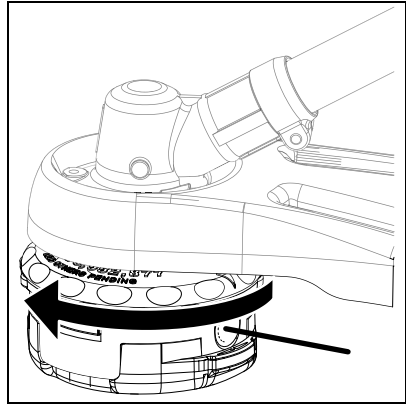
1. Cut one piece of line to recommended length:
  - 2.4 mm (0.095 in.) diameter  
6 m (20 ft.).
  - 2.0 mm (0.080 in.) diameter  
6 m (20 ft.).
2. Align arrows on top of knob with openings in eyelets.



3. Insert one end of trimmer line into an eyelet, and push line equal distance through trimmer head.

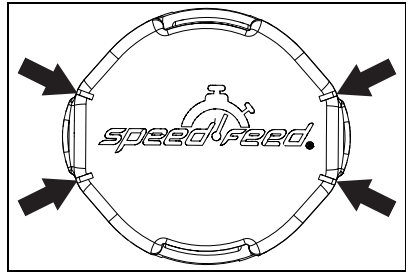


4. Hold trimmer head while turning knob clockwise to wind line onto spool until about 13 cm (5 in.) of each line remains exposed.



**NOTICE**

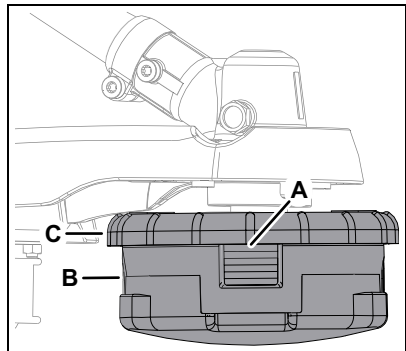
*When the wear indicators located at the bottom of the Speed-Feed® head are worn smooth, or if holes appear, replacement of the cover or the entire Speed-Feed® head required.*



**Nylon Line Head Disassembly Instructions**

Note: For normal use, Speed-Feed® head disassembly is not necessary. However, if circumstances require disassembly, follow these instructions:

1. Press top of locking tabs (A) on both sides of Speed-Feed® head to release cover (B) from knob (C).
2. Remove cover from knob.



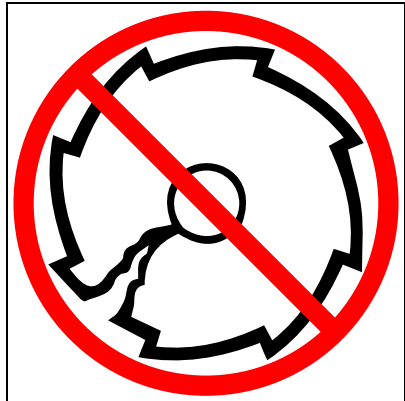
## Sharpening Metal Blades

### **WARNING**

***Metal blades are very sharp and can cause severe injuries, even if unit is off and blades are not moving. Avoid contact with blades. Wear gloves to protect hands.***

Several styles of metal blades are approved for use on the Brushcutter. The 8-tooth blade can be sharpened during normal maintenance. The clearing blade and 80-tooth blade require professional service.

Before sharpening, closely inspect blade for cracks (look at the bottom of each tooth and the center mounting hole closely), missing teeth and bending. If any of these problems are discovered, replace the blade.

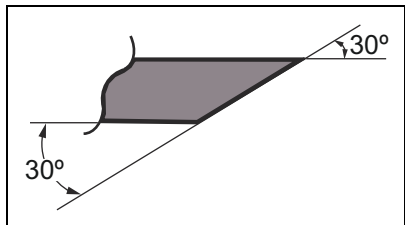


When sharpening a blade, always remove the same amount of materials from each tooth to maintain balance. A blade that is not balanced will cause unsafe handling due to vibration and can result in blade failure.

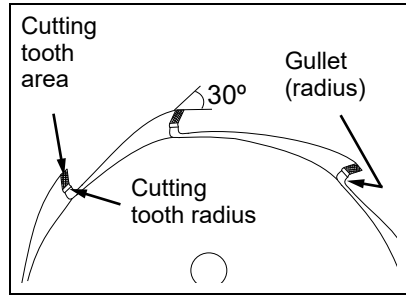
### **NOTICE**

***If an electric grinder is used, use care not to overheat teeth, do not allow tips/tooth to glow red or turn blue. Do not place blade in cooling water. This will change the temper of the blade and could result in blade failure.***

- File each tooth at a 30 degree angle a specific number of times, e.g., four strokes per tooth. Work your way around the blade until all teeth are sharp.



4. Do not file the gullet (radius) of the tooth with the flat file. The radius must remain. A sharp corner will lead to a crack and blade failure.
5. After sharpening teeth, check each tooth radius for evidence of a square (sharp) corner. Use the round (rat tail) file to renew the radius.



**Edger Lubrication**

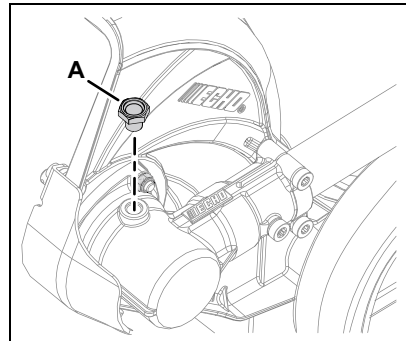
**Level 1.**

Parts required: Lithium-based grease.

**Gear Case**

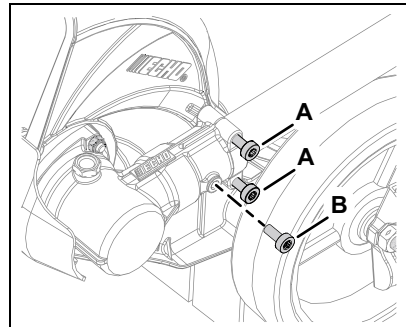
Note: Grease gear case every 15 - 25 hours of use.

1. Clean all loose debris from gear box.
2. Remove plug (A) and check level of grease. Grease should fill gear case to bottom of grease plug hole.
3. Add grease if necessary using squeeze-type tube. Do not use high pressure grease gun. Do not over-fill.

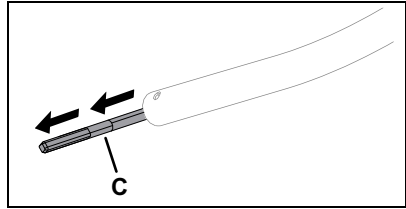


**Drive Shaft**

1. Loosen screw(s) (A) and remove center locating screw (B). Pull gear box and shield from drive shaft housing.



2. Pull flexible cable (C) from the drive shaft housing, wipe clean and apply 15 ml (0.5 oz.) of grease.
3. Slide the flexible cable back in the drive housing. Do not get dirt on the flex cable.
4. Install the gear housing and shield assembly.
5. Tighten screws securely.



## Edger Blade Replacement

### Level 1.

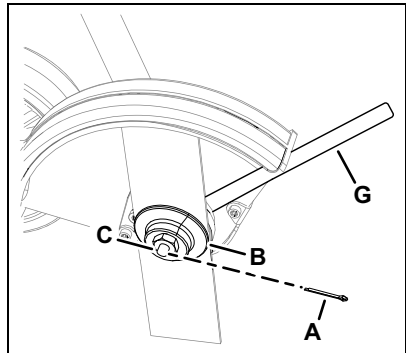
Parts required: Blade, new split pin.

Note: Replace blade when it is bent, damaged, or worn shorter than 152.4 mm (6 in.).



***Wear gloves or personal injury may result. Gear case and surrounding area may be hot.***

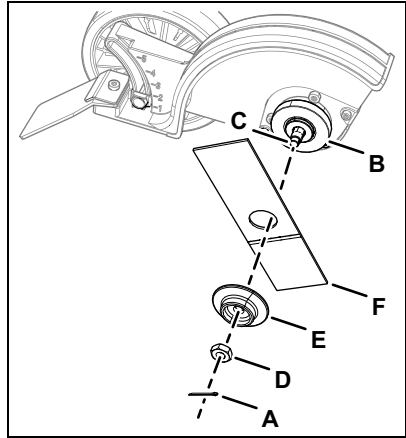
1. Remove split pin (A).
2. Align hole in inner blade adapter (B) with notch in gear housing, and insert locking tool (G) to prevent PTO shaft (C) from rotating.



3. Remove blade nut (D) by turning clockwise. Remove outer blade adapter (E), and blade (F).
4. Install and center blade (F) on inner blade adapter (B).
5. Install outer adapter (E) and nut (D). Tighten nut (D) firmly, turning counterclockwise.

Note: Never reuse old split pin.

6. Install new split pin (A) to secure nut, and bend both legs of pin counterclockwise around PTO shaft (C).



**TROUBLESHOOTING**

**⚠ DANGER**

***Fuel vapors are flammable and can cause fire and/or explosion. Never test for ignition spark by grounding spark plug near cylinder plug hole, otherwise serious personal injury can result.***

**ENGINE PROBLEM TROUBLESHOOTING CHART**

Problem	Check	Status	Cause	Remedy
Engine starts hard.	Fuel at carburetor.	No fuel at carburetor.	Fuel filter or fuel line obstructed.	Clean or replace. See your dealer.
		No fuel at cylinder.	Carburetor	See your dealer.
or Engine does not start.	Fuel at cylinder.	Muffler wet with fuel.	Fuel mixture too rich.	Open choke. Clean or replace air filter. Adjust carburetor. See your dealer.



ENGINE PROBLEM TROUBLESHOOTING CHART				
Problem	Check	Status	Cause	Remedy
Engine starts hard. or Engine does not start	Spark at end of plug wire.	No spark.	Stop switch OFF. Electrical problem. Interlock switch.	Turn switch to ON. See your dealer.
	Spark at plug.		Incorrect gap. Covered with carbon. Fouled with fuel. Spark plug defective.	Adjust to 0.65 mm (0.026 in.). Clean or replace spark plug.
Engine runs, but dies. or Engine does not accelerate properly.	Air filter	Air filter dirty.	Normal wear.	Clean or replace.
	Fuel filter	Fuel filter dirty.	Contaminants or residue in fuel.	Replace filter or replace fuel.
	Fuel vent	Fuel vent plugged.	Contaminated fuel.	Clean or replace.
	Spark plug	Plug dirty or worn.	Normal wear.	Clean and adjust or replace.
	Carburetor	Improper adjustment.	Vibration	Adjust
	Cooling system	Cooling system dirty or plugged.	Extended operation in dirty or dusty locations.	Clean
	Spark arrester screen	Spark arrester screen plugged.	Normal wear.	Replace
Engine does not crank.	N/A		Internal engine problem.	See your dealer.

---

**STORAGE**

---

**Long-Term Storage (Over 30 Days)** **DANGER**

***Do not store in enclosure where fuel fumes may accumulate or reach an open flame or spark.***

Do not store your unit for a prolonged period of time (30 days or longer) without performing protective storage maintenance which includes the following:

1. Store unit in a dry, dust-free place, out of the reach of children.
2. Place the stop switch in the OFF position.
3. Remove accumulation of grease, oil, dirt and debris from exterior of unit.
4. Perform all periodic lubrication and services that are required.
5. Tighten all the screws and nuts.

 **WARNING**

***During operation the muffler or catalytic muffler and surrounding cover become hot. Always keep exhaust area clear of flammable debris during transportation or when storing, otherwise serious property damage or personal injury may result.***

 **DANGER**

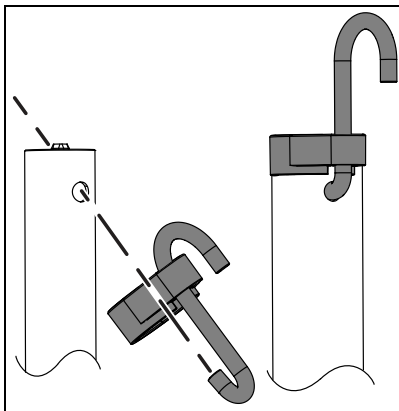
***Fuel is flammable. Use extreme care when mixing, storing or handling, or serious personal injury will result.***

6. Drain fuel tank completely. Press purge bulb six to seven times to remove remaining fuel from carburetor then drain the tank again. Close choke, start and run the engine until it stops due to lack of fuel.
7. Allow engine to cool. Remove the spark plug lead from the spark plug. Remove the spark plug. Pour 7 cc (0.25 fl. oz.) of fresh, clean, two-stroke engine oil into the cylinder through the spark plug hole.
8. Pull the recoil starter handle two to three times to distribute the oil inside the engine.
9. Observe the piston location through the spark plug hole. Pull the recoil handle slowly until the piston reaches the top of its travel and leave it there.
10. Install the spark plug. Connect the spark plug lead to the spark plug.

## Storage Hook Installation

PAS-225SB only:

1. Insert small end of hook into locating hole on attachment shaft.
2. Slide plastic cap onto end of attachment shaft.



## SPECIFICATIONS

MODEL	PAS-225
<b>PAS</b> (power head only)	
Length	1,027 mm (40.3 in.)
Width	244 mm (9.6 in.)
Width (with barrier bar)	327 mm (12.9 in.)
Height	245 mm (9.3 in.)
Weight - without fuel	3.5 kg (7.7 lb.) without barrier bar 3.9 kg (8.6 lb.) with barrier bar
<b>SB / VP / VPB</b> (power head and trimmer attachment)	
Length	1,820 mm (71.7 in.)
Width	244 mm (9.6 in.)
Height	328 mm (12.9 in.)
Weight - with guard (without fuel, cutting attachment, or harness)	4.9 kg (10.8 lb.)
<b>VPB</b> (power head, trimmer, and blower attachment)	
Length (with blower attachment)	1,621 mm (63.8 in.)
Width (with blower attachment)	258 mm (10.2 in.)

MODEL	PAS-225
Height (with blower attachment)	254 mm (9.6 in.)
Weight (with blower attachment, without fuel or harness)	5.6 kg (12.3 lb.)
<b>VP (power head, trimmer, and edger attachment)</b>	
Length (with edger attachment)	1743 mm (68.6 in.)
Width (with edger attachment)	347 mm (13.7 in.)
Height (with edger attachment)	311 mm (12.2 in.)
Weight (with edger attachment, without fuel, cutter, or harness)	5.7 kg (12.6 lb.)
<b>PAS / SB / VP / VPB</b>	
Engine Type	Air-cooled, two-stroke, single cylinder gasoline engine
Bore	32.2 mm (1.27 in.)
Stroke	26.0 mm (1.02 in.)
Displacement	21.2 cc (1.29 in <sup>3</sup> .)
Exhaust	Spark arrester muffler or spark arrester muffler with catalyst
Carburetor	Diaphragm with purge pump
Ignition System	Flywheel magneto, capacitor discharge ignition type
Spark Plug	NGK BPM8Y (BPMR8Y in Canada) Gap 0.65 mm (0.026 in.)
Fuel	Mixed (gasoline and two-stroke oil)
Fuel/Oil Ratio	50:1
Gasoline	Use 89 Octane unleaded. Do not use fuel containing methyl alcohol, more than 10% ethyl alcohol or 15% MTBE. Do not use alternative fuels such as E-15 or E-85.
Oil	ISO-L-EGD (ISO/CD 13738) and J.A.S.O. M345- FD, two-stroke, air-cooled engine oil
Fuel Tank Capacity	0.45 L (15.2 US fl. oz.)
Starter System	Automatic rewind starter
Clutch	Centrifugal type

MODEL	PAS-225
Drive Shaft	6.35 mm (0.25 in.) flexible shaft
Vibration Reduction System	Rubber cushion on engine mount
Handles	Front - D-loop type with rubber anti-vibration grip Rear - Throttle handle with rubber grip
Idle Speed	3,000 RPM
Clutch Engagement Speed	4,200 RPM
Wide Open Throttle Speed	10,000 RPM

MODEL	Curved Shaft Edger
Shaft Length	790 mm (31.1 in.)
Attachment Width	235 mm (9.25 in.)
Attachment Height	290 mm (11.42 in.)
Weight with blade	2.35 kg (5.17 lb.)
Drive Shaft (flex type)	6.35 mm (0.25 in.)
Rotating Direction	Clockwise; viewed from right side
Blade Length	197 mm (7.75 in.)
Gear Case Ratio (with metal blade shield)	2.07:1
Gear Case Ratio (with plastic blade shield)	1.62:1
Shield	Open, anti-clog

MODEL	Speed-Feed <sup>®</sup> Trimmer
Shaft Length	834 mm (32.8 in.)
Attachment Width	177 mm (6.9 in.)
Attachment Height	236 mm (9.29 in.)
Weight (with line head, without fuel)	1.07 kg (2.3 lb.)
Drive Shaft (flexible)	6.35 mm (0.25 in.)
Gear Case Ratio	1.62:1
Direction of Rotation	Counterclockwise; viewed from the top
Cutter Head	Speed-Feed <sup>®</sup> nylon line head
Line Capacity	6 m (20 ft.)

MODEL	Power Blower
Length	635 mm (25.01 in.)
Width	231 mm (9.10 in.)
Height	212 mm (8.35 in.)
Weight	1.80 kg (3.96 lb.)
Drive Shaft (flexible)	6.35 mm (0.25 in.)
Maximum Air Speed	129 - 142 MPH *
Maximum Air Volume	347 - 383 ft <sup>3</sup> /min. *
Sound Level at 50 ft. dB(A) scale per ANSI B175.2	71 dB(A)
* Specifications are for a variety of power heads. Individual unit performance may vary.	

## ECHO Optional Attachments

### WARNING

**Use only ECHO attachments for these models. Serious injury may result from the use of non ECHO attachment combinations. Read and comply with all safety instructions listed in this manual and attachment manual.**

**ECHO Incorporated will not be responsible for the failure of cutting devices, attachments or accessories which have not been tested and approved by ECHO for use with these units.**

Recommended Optional Attachments	
Articulating Hedge Trimmer	99944200596
Brushcutter	99944200601
Curved Shaft Edger	99944200470
Curved Shaft Edger	99944200503
Hedge Trimmer	99944200486
Power Blower	99944200490
Tiller/Cultivator	99944200513
Power Pruner™	99944200532
Speed-Feed® 400 Trimmer	99944200540
Speed-Feed® 400 Trimmer	99944200501
Rapid Loader™ Curved Shaft Trimmer	99944200615

<b>Recommended Optional Attachments</b>	
Pro-Torque Trimmer	99944200545
Extension 0.91 m (3.0 ft.)*	99944200536
* For use with: Articulating Hedge Trimmer, Hedge Trimmer, and Power Pruner™ attachments only.	

---

## PRODUCT REGISTRATION

---

### Thank you for choosing ECHO Power Equipment

Please go to <http://www.echo-usa.com/Warranty/Register-Your-ECHO> to register your new product on-line. It's **FAST** and **EASY!** NOTE: Your information will never be sold or misused by ECHO Incorporated.

Registering your purchase enables us to contact you in the unlikely event of a service update or product recall, and verifies your ownership for warranty consideration.

If you do not have access to the Internet, you can complete the form below and mail to:

***ECHO Incorporated, Product Registration, PO Box 1139,  
Lake Zurich, IL 60047.***





**PRODUCT REGISTRATION CARD : TARJETA DE REGISTRO : CARTE D'ENREGISTREMENT DU PRODUIT**

**ONLINE OPTION:** Register online and save a stamp! You will be alerted of product updates and/or be sent new ECHO product information and special offers. Simply go to: [www.echo-usa.com](http://www.echo-usa.com)

**OPCIÓN POR INTERNET:** Regístrese en la página web y ahorre una estampilla! Le alertarán sobre actualizaciones del producto y/o se le enviará información sobre los nuevos productos ECHO y ofertas especiales. Simplemente visite: [www.echo-usa.com](http://www.echo-usa.com)

**OPTION EN LIGNE:** Enregistrer en ligne et épargner un timbre! Vous serez informé sur les nouveaux produits ECHO et les mises à jour de produit ainsi que les offres spéciales. Simplement visitez le: [www.echo-usa.com](http://www.echo-usa.com)

Please Print : Por Favor Enscriba Con Letra De Molde : En Lettre Carré S.V.P.

Confidential: Information provided will not be shared or sold

Purchaser's Name : Nombre del Comprador : Nom de l'acheteur	
Address : Dirección : Adresse	
City : Ciudad : Ville	Zip Code - Código Postal : Code Postal
State : Estado : Province	
E-Mail Address : Dirección De Correo Electrónico : Courriel Electronique	
Phone Number : Número De Teléfono : Téléphone	Date of Purchase : Fecha de la Compra : Date de l'achat
Where Purchased : Nombre del Almacén donde fue Comprado : Lieu d'achat	
Model Number : Número del Modelo : No. de modèle	Serial Number : Número de Serie : No. de série

Registering your purchase enables us to contact you in the unlikely event of a service update or product recall and verifies your purchase for warranty purposes. We will never give your information to anyone else without your permission. Thank you for your purchase. Como el aviso de tiempo de servicio o la revocación del producto y verificación de propiedad en caso de robo o pérdida. L'enregistrement de votre achat nous permettra de vous contacter dans le cas improbable de modifications des instructions d'emballage ou de rappel du produit et vérifier que vous êtes le propriétaire en cas de vol ou de perte.

Primary use of tool:  Homeowner  Rental Equip.  
 Uso primario de la herramienta:  Profesional  Dueño de casa  Alquiler  
 Usage principal:  Professionnel  Residential  Location  
 Do you wish to receive periodic ECHO product information and special offers by e-mail?  Yes  No

¿Desea usted recibir información periódica y ofertas especiales por correo electrónico sobre el producto ECHO?  Yes  No

Souhaitez-vous recevoir périodiquement de l'information sur les produits ECHO et les offres spéciales par courrier électronique ?  Oui  Non

Did you visit the ECHO website before purchasing your product?  Yes  No

Visité usted la página web ECHO antes de comprar su producto?  Si  No

Avez-vous visité le site d'ECHO avant de procurer votre produit?  Oui  Non

What factor(s) most influenced your purchase?

- Performance
- Price
- Dealer
- Reliability
- Prior Experience
- Quality
- Friend/Family
- Brand
- Warranty

¿Que factor(es) influenció más en su compra?

- Funcionamiento
- Precio
- Distribuidor
- Confiabilidad
- Experiencia Anterior
- Calidad
- Amigo/Familia
- Marca
- Garantía

Quel facteur (facteurs) vous a influencé le plus?

- Performance
- Prix
- Marchand
- Fiabilité
- Expérience
- Qualité
- Ami/Famille
- Marque
- Garantie

ECHO INC., 400 Oakwood Rd., Lake Zurich, IL 60047  
 1.800.432.ECHO [WWW.ECHO-USA.COM](http://WWW.ECHO-USA.COM)







U95212001001 - U95212999999  
U95313001001 - U95313999999



**ECHO INCORPORATED**

400 Oakwood Road  
Lake Zurich, IL 60047

[www.echo-usa.com](http://www.echo-usa.com)